

matrx[®]
SEATING SERIES

Seating Series



Yes, you can...
and it's never been easier!



Yes, you can.™

With the number of new seating and positioning products available today, it is only natural to choose the products that you know best. The *Invacare Matrix Seating Series* combined with Invacare's wide range of seat cushions provides you with a solution which is highly effective in meeting the widest range of user needs. This brochure is your source for the *Invacare Matrix Seating Series*.

Invacare is committed to providing you with products that exceed your expectations. As the landscape of seating changes, Invacare's dedication to innovation, quality and, most of all, your comfort will stay the same.

Invacare Matrix® Elite Back



The *Invacare Matrix Elite Back* is designed to provide precise orientation within the wheelchair for optimal postural support. The attractive, lightweight design appeals to users with active lifestyles.

Outer cover:

- Oversized cover/foam for extra comfort and protection
- Moisture resistant and breathable
- Includes removable lumbar positioning pad

Hardware (ordered separately):

- Hardware installed and adjusted in minutes – adjustments can be made while user is seated in the wheelchair
- Easy Set, Split or Fixed mounting hardware available
- Refer to Hardware page 8

Back shell:

- Stylish and breathable back shell
- Lightweight - most models under 1.36 kg

Sacral/lumbar support:

- Includes removable positioning pad

8 cm Contour Depth



Sacral/
lumbar
support

Standard	
Width	31 cm, 36 cm, 41 cm, 43 cm, 46 cm, 51 cm
Height	26 cm, 31 cm, 36 cm, 41 cm, 46 cm, 51 cm
Weight Capacity	136 kg

* Optional Full Back style - no scapular cut-outs

Product Code	Width	Height	Fits Wheelchair Width
PBE4151-FBNH	41 cm	51 cm	41-43 cm
PBE4351-FBNH	43 cm	51 cm	43-46 cm
PBE4651-FBNH	46 cm	51 cm	46-48 cm
PBE4851-FBNH	48 cm	51 cm	48-51 cm
PBE5151-FBNH	51 cm	51 cm	51-53 cm

Product Code	Width	Height	Fits Wheelchair Width
PBE3126NH	31 cm	26 cm	31-33 cm
PBE3131NH	31 cm	31 cm	31-33 cm
PBE3136NH	31 cm	36 cm	31-33 cm
PBE3141NH	31 cm	41 cm	31-33 cm
PBE3146NH	31 cm	46 cm	31-33 cm
PBE3326NH	33 cm	26 cm	33-36 cm
PBE3331NH	33 cm	31 cm	33-36 cm
PBE3336NH	33 cm	36 cm	33-36 cm
PBE3341NH	33 cm	41 cm	33-36 cm
PBE3346NH	33 cm	46 cm	33-36 cm
PBE3626NH	36 cm	26 cm	36-38 cm
PBE3631NH	36 cm	31 cm	36-38 cm
PBE3636NH	36 cm	36 cm	36-38 cm
PBE3641NH	36 cm	41 cm	36-38 cm
PBE3646NH	36 cm	46 cm	36-38 cm
PBE3651NH	36 cm	51 cm	36-38 cm
PBE3826NH	38 cm	26 cm	38-41 cm
PBE3831NH	38 cm	31 cm	38-41 cm
PBE3841NH	38 cm	41 cm	38-41 cm
PBE3846NH	38 cm	46 cm	38-41 cm
PBE3851NH	38 cm	51 cm	38-41 cm

Product Code	Width	Height	Fits Wheelchair Width
PBE4126NH	41 cm	26 cm	41-43 cm
PBE4131NH	41 cm	31 cm	41-43 cm
PBE4141NH	41 cm	41 cm	41-43 cm
PBE4146NH	41 cm	46 cm	41-43 cm
PBE4151NH*	41 cm	51 cm	41-43 cm
PBE4326NH	43 cm	26 cm	43-46 cm
PBE4331NH	43 cm	31 cm	43-46 cm
PBE4341NH	43 cm	41 cm	43-46 cm
PBE4346NH	43 cm	46 cm	43-46 cm
PBE4351NH*	43 cm	51 cm	43-46 cm
PBE4626NH	46 cm	26 cm	46-48 cm
PBE4631NH	46 cm	31 cm	46-48 cm
PBE4641NH	46 cm	41 cm	46-48 cm
PBE4646NH	46 cm	46 cm	46-48 cm
PBE4651NH*	46 cm	51 cm	46-48 cm
PBE4826NH	48 cm	26 cm	48-51 cm
PBE4831NH	48 cm	31 cm	48-51 cm
PBE4841NH	48 cm	41 cm	48-51 cm
PBE4846NH	48 cm	46 cm	48-51 cm
PBE4851NH*	48 cm	51 cm	48-51 cm
PBE5126NH	51 cm	26 cm	51-53 cm
PBE5131NH	51 cm	31 cm	51-53 cm
PBE5141NH	51 cm	41 cm	51-53 cm
PBE5146NH	51 cm	46 cm	51-53 cm
PBE5151NH*	51 cm	51 cm	51-53 cm

Invacare Matrix Elite Deep Back



The *Invacare Matrix Elite Deep Back* is designed with lateral supports to provide trunk support while allowing clearance for the shoulders and hips. Offers mid-line guidance from deep laterals with a slim design to enable functionality.

Outer cover:

- Oversized cover/foam for extra comfort and protection
- Moisture resistant and breathable
- Includes removable lumbar positioning pad

Hardware (ordered separately):

- Hardware installed and adjusted in minutes – adjustments can be made while user is seated in the wheelchair
- Easy Set, Split or Fixed mounting hardware available
- Refer to Hardware page 8

Back shell:

- Stylish and breathable back shell
- Lightweight - most models under 1.81 kg

Sacral/lumbar support:

- Includes removable positioning pad

16 cm Contour Depth



Sacral/
lumbar
support

Deep	
Width	36 cm, 41 cm, 43 cm, 46 cm, 51 cm
Height	31 cm, 41 cm, 46 cm, 51 cm
Weight capacity	136 kg

Product Code	Width	Height	Fits Wheelchair Width
EDB3631NH	36 cm	31 cm	36-38 cm
EDB3641NH	36 cm	41 cm	36-38 cm
EDB3646NH	36 cm	46 cm	36-38 cm
EDB3651NH	36 cm	51 cm	36-38 cm
EDB3831NH	38 cm	31 cm	38-41 cm
EDB3841NH	38 cm	41 cm	38-41 cm
EDB3846NH	38 cm	46 cm	38-41 cm
EDB3851NH	38 cm	51 cm	38-41 cm
EDB4131NH	41 cm	31 cm	41-43 cm
EDB4141NH	41 cm	41 cm	41-43 cm
EDB4146NH	41 cm	46 cm	41-43 cm
EDB4151NH	41 cm	51 cm	41-43 cm
EDB4331NH	43 cm	31 cm	43-46 cm
EDB4341NH	43 cm	41 cm	43-46 cm

Product Code	Width	Height	Fits Wheelchair Width
EDB4346NH	43 cm	46 cm	43-46 cm
EDB4351NH	43 cm	51 cm	43-46 cm
EDB4631NH	46 cm	31 cm	46-48 cm
EDB4641NH	46 cm	41 cm	46-48 cm
EDB4646NH	46 cm	46 cm	46-48 cm
EDB4651NH	46 cm	51 cm	46-48 cm
EDB4831NH	48 cm	31 cm	48-51 cm
EDB4841NH	48 cm	41 cm	48-51 cm
EDB4846NH	48 cm	46 cm	48-51 cm
EDB4851NH	48 cm	51 cm	48-51 cm
EDB5131NH	51 cm	31 cm	51-53 cm
EDB5141NH	51 cm	41 cm	51-53 cm
EDB5146NH	51 cm	46 cm	51-53 cm
EDB5151NH	51 cm	51 cm	51-53 cm

Elite Back Covers

Product Code	Description	Product Code	Description
PBEC3126	Fits PBE3126	PBEC4141	Fits PBE4141
PBEC3131	Fits PBE3131	PBEC4146	Fits PBE4146
PBEC3136	Fits PBE3136	PBEC4151	Fits PBE4151
PBEC3141	Fits PBE3141	PBEC4326	Fits PBE4326
PBEC3146	Fits PBE3146	PBEC4331	Fits PBE4331
PBEC3326	Fits PBE3326	PBEC4341	Fits PBE4341
PBEC3331	Fits PBE3331	PBEC4346	Fits PBE4346
PBEC3336	Fits PBE3336	PBEC4351	Fits PBE4351
PBEC3341	Fits PBE3341	PBEC4626	Fits PBE4626
PBEC3346	Fits PBE3346	PBEC4631	Fits PBE4631
PBEC3626	Fits PBE3626	PBEC4641	Fits PBE4641
PBEC3631	Fits PBE3631	PBEC4646	Fits PBE4646
PBEC3636	Fits PBE3636	PBEC4651	Fits PBE4651
PBEC3641	Fits PBE3641	PBEC4826	Fits PBE4826
PBEC3646	Fits PBE3646	PBEC4831	Fits PBE4831
PBEC3651	Fits PBE3651	PBEC4841	Fits PBE4841
PBEC3826	Fits PBE3826	PBEC4846	Fits PBE4846
PBEC3831	Fits PBE3831	PBEC4851	Fits PBE4851
PBEC3841	Fits PBE3841	PBEC5126	Fits PBE5126
PBEC3846	Fits PBE3846	PBEC5131	Fits PBE5131
PBEC3851	Fits PBE3851	PBEC5141	Fits PBE5141
PBEC4126	Fits PBE4126	PBEC5146	Fits PBE5146
PBEC4131	Fits PBE4131	PBEC5151	Fits PBE5151

Full Back Covers

Product Code	Description
PBEC4151-FB	Fits PBE4151-FB
PBEC4351-FB	Fits PBE4351-FB
PBEC4651-FB	Fits PBE4651-FB
PBEC4851-FB	Fits PBE4851-FB
PBEC5151-FB	Fits PBE5151-FB

Elite Deep Back Covers

Product Code	Description	Product Code	Description
EDBC3631	Fits EDB3631	EDBC4351	Fits EDB4351
EDBC3641	Fits EDB3641	EDBC4631	Fits EDB4631
EDBC3646	Fits EDB3646	EDBC4641	Fits EDB4641
EDBC3651	Fits EDB3651	EDBC4646	Fits EDB4646
EDBC3831	Fits EDB3831	EDBC4651	Fits EDB4651
EDBC3841	Fits EDB3841	EDBC4831	Fits EDB4831
EDBC3846	Fits EDB3846	EDBC4841	Fits EDB4841
EDBC3851	Fits EDB3851	EDBC4846	Fits EDB4846
EDBC4131	Fits EDB4131	EDBC4851	Fits EDB4851
EDBC4141	Fits EDB4141	EDBC5131	Fits EDB5131
EDBC4146	Fits EDB4146	EDBC5141	Fits EDB5141
EDBC4151	Fits EDB4151	EDBC5146	Fits EDB5146
EDBC4331	Fits EDB4331	EDBC5151	Fits EDB5151
EDBC4341	Fits EDB4341		
EDBC4346	Fits EDB4346		

Please note, dimensions have been rounded to the nearest centimetre for your convenience. For more accurate dimensions in millimetres please see Technical Specifications on pages 10 and 11.

Lateral Options for *Matrx Elite Back*



Fixed

6 cm of vertical adjustment on back shell. Mount inside back shell without interfering with depth/angle adjustment. Available in standard Length 19cm x Height 13cm and pediatric Length 14cm x Height 8cm sizes.

- **PBLS-L** Standard Left Lateral (each) complete with Pad (19 cm L x 13 cm H).
- **PBLS-R** Standard Right Lateral (each) complete with Pad (19 cm L x 13 cm H).
- **PBSS-L** Small Left Lateral (each) complete with Pad (14 cm L x 8 cm H).
- **PBSS-R** Small Right Lateral (each) complete with Pad (14 cm L x 8 cm H).



Offset Fixed

Provides an additional 8 cm of vertical position (higher or lower) relative to mounting slots. Available L - 19cm x H - 13cm.

- **PBOL-L OR PBOL-R** Offset Left or Right Fixed Lateral complete with Pad (each).



Swing-Away

6 cm of vertical adjustment on back pan. Mount inside back shell without interfering with depth/angle adjustment. Easy push button release 4 pad sizes. Swings completely behind back. Does not interfere with flip-back arms. Pads ordered separately (see below).

- **SAHEB** Left or Right Swing Away Lateral (each).



Offset Swing-Away

Provides an additional 8 cm of vertical position (higher or lower). Mount inside back shell without interfering with depth/angle adjustment. Easy push button release, 4 pad sizes. Pads ordered separately (see 'Lateral Pads' below).

- **OSAH-L OR OSAH-R** Offset Left or Right Swing Away Lateral (each).

Please note, dimensions have been rounded to the nearest centimetre for your convenience. For more accurate dimensions in millimetres please see Technical Specifications on pages 10 and 11.

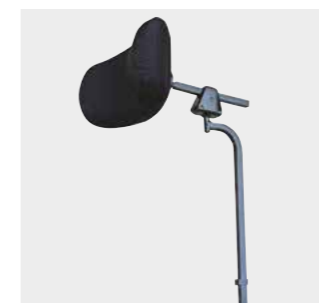
Headrest options



Headrest Adapter

Allows the headrest to be mounted directly onto *Invacare Matrx Elite backs*. Available in 3 sizes.

- Small: For attachment of headrests to Elite Backs 31 cm wide
- Medium: For attachment of headrests to Elite Backs 33 - 43 cm wide
- Large: For attachment of headrests to Elite Backs 46 - 51 cm wide



Soft Pad Headrest Kit - PHRK

- Multi-Axis hardware
- Dual pivot balls for pad orientation
- Depth adjustable through horizontal slide bar
- 25 cm soft pad



Headrest Cutout Reinforcement

The *Matrx PB and Elite Backs* are prepared for the easy attachment of headrests through pre-drilled holes and a cutout area on the upholstery of the outer cover. This will prevent fraying of the fabric as well as allow easy removal of the cover for laundering without having to remove the headrest attachment plate.



Lateral Pads

To be used in conjunction with SwingAway and Offset SwingAway Laterals (for *Elite Back*):

- **EPAD-XS** Extra Small 11 cm (L) x 8 cm (W) (each).
- **EPAD-S** Small 13 cm (L) x 9 cm (W) (each).
- **EPAD-M** Medium 15 cm (L) x 10 cm (W) (each).
- **EPAD-L** Large 17 cm (L) x 11 cm (W) (each).

Invacare **Matrx PB Back**



The *Invacare Matrx PB Posture Back* is contoured to provide midline support and positioning. The extensive range of sizes provides exceptional support and comfort for a variety of customers.

Foam:

- Moulded foam wraps around shell for maximum comfort and protection

Outer cover:

- Moisture resistant and breathable
- Available in black

Sacral/lumbar support:

- Includes removable positioning pad

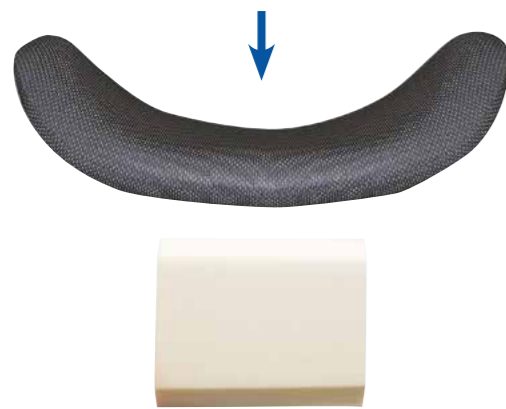
Back shell:

- Contoured shell provides exceptional midline support and positioning
- Durable, lightweight ABS back shell includes built-in plate for headrest attachment

Hardware (ordered separately):

- Hardware installed and adjusted in minutes - adjustments can be made while user is seated in the wheelchair
- Easy Set, Split or Fixed mounting hardware available
- Refer to Hardware page 8

13 cm Contour Depth-standard



Sacral/lumbar support

Standard	
Width	36 cm, 41 cm, 43 cm, 46 cm, 51 cm
Height	31 cm, 41 cm, 51 cm
Weight Capacity	136 kg

Heavy-Duty	
Width	51 cm, 56 cm, 61 cm
Height	41 cm, 51 cm
Weight Capacity	227 kg

HEAVY DUTY PB BACK		
Product Code		
Back	Cover Only	Fits Wheelchair Width
HDB5141	HDC5141	51-53 cm
HDB5151	HDC5151	51-53 cm
HDB5641	HDC5641	56-59 cm
HDB5651	HDC5651	56-59 cm
HDB6141	HDC6141	61-64 cm
HDB6151	HDC6151	61-64 cm

Extra Wide	
Width	61-76 cm
Height	41 cm, 51 cm
Weight Capacity	227 kg

Invacare **Matrx PB Deep Back**



The *Invacare Matrx PB Deep back* is contoured to provide increased midline support and positioning. Provides the same features as the standard Posture Back with increased contour depth for more midline guidance and positioning.

Foam

- Molded foam wraps around shell for maximum comfort and protection

Outer cover:

- Moisture resistant and breathable
- Available in black

Sacral/lumbar support:

- Includes removable positioning pad

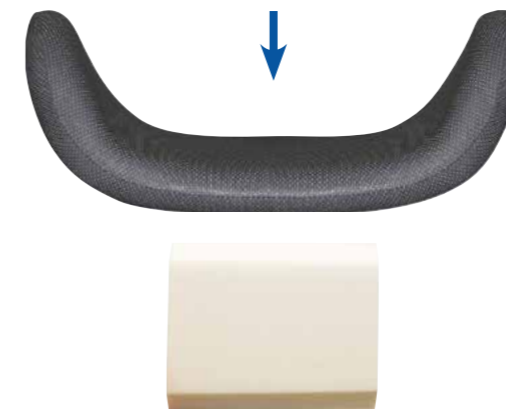
Back shell:

- Contoured shell (standard/deep) provides exceptional midline support and positioning
- Durable, lightweight ABS back shell includes built-in plate for headrest attachment

Hardware (ordered separately):

- Hardware installed and adjusted in minutes - adjustments can be made while user is seated in the wheelchair
- Easy Set, Split or Fixed mounting hardware available
- Refer to Hardware page 8

18 cm Contour Depth-deep



Sacral/lumbar support

Deep	
Width	36 cm, 41 cm, 43 cm, 46 cm, 51 cm
Height	31 cm, 41 cm, 51 cm
Weight Capacity	136 kg

Heavy-Duty	
Width	51 cm, 56 cm, 61 cm
Height	41 cm, 51 cm
Weight Capacity	227 kg

HEAVY DUTY PB DEEP BACK		
Product Code		
Back	Cover Only	Fits Wheelchair Width
DHD5141	DDC5141	51-53 cm
DHD5151	DDC5151	51-53 cm
DHD5641	DDC5641	56-59 cm
DHD5651	DDC5651	56-59 cm
DHD6141	DDC6141	61-64 cm
DHD6151	DDC6151	61-64 cm

Extra Wide	
Width	61-76 cm
Height	41 cm, 51 cm
Weight Capacity	227 kg

PB BACK			
Product Code	Width	Height	Fits Wheelchair Width
MPB3631NH	36 cm	31 cm	33-38 cm
MPB3641NH	36 cm	41 cm	33-38 cm
MPB4131NH	41 cm	31 cm	38-43 cm
MPB4141NH	41 cm	41 cm	38-43 cm
MPB4151NH	41 cm	51 cm	38-43 cm
MPB4331NH	43 cm	31 cm	41-46 cm
MPB4341NH	43 cm	41 cm	41-46 cm
MPB4351NH	43 cm	51 cm	41-46 cm
MPB4631NH	46 cm	31 cm	43-48 cm
MPB4641NH	46 cm	41 cm	43-48 cm
MPB4651NH	46 cm	51 cm	43-48 cm
MPB5131NH	51 cm	31 cm	48-51 cm
MPB5141NH	51 cm	41 cm	48-51 cm
MPB5151NH	51 cm	51 cm	48-51 cm

PB BACK COVERS	
Product Code	Description
PBC3631	Fits MPB3631
PBC3641	Fits MPB3641
PBC4131	Fits MPB4131
PBC4141	Fits MPB4141
PBC4151	Fits MPB4151
PBC4331	Fits MPB4331
PBC4341	Fits MPB4341
PBC4351	Fits MPB4351
PBC4631	Fits MPB4631
PBC4641	Fits MPB4641
PBC4651	Fits MPB4651
PBC5131	Fits MPB5131
PBC5141	Fits MPB5141
PBC5151	Fits MPB5151

PB DEEP BACK			
Product Code	Width	Height	Fits Wheelchair Width
PBD3631NH	36 cm	31 cm	33-38 cm
PBD3641NH	36 cm	41 cm	33-38 cm
PBD4131NH	41 cm	31 cm	38-43 cm
PBD4141NH	41 cm	41 cm	38-43 cm
PBD4151NH	41 cm	51 cm	38-43 cm
PBD4331NH	43 cm	31 cm	41-46 cm
PBD4341NH	43 cm	41 cm	41-46 cm
PBD4351NH	43 cm	51 cm	41-46 cm
PBD4631NH	46 cm	31 cm	43-48 cm
PBD4641NH	46 cm	41 cm	43-48 cm
PBD4651NH	46 cm	51 cm	43-48 cm
PBD5131NH	51 cm	31 cm	48-53 cm
PBD5141NH	51 cm	41 cm	48-53 cm
PBD5151NH	51 cm	51 cm	48-53 cm

PB DEEP BACK COVERS	
Product Code	Description
DMC3631	Fits PBD3631
DMC3641	Fits PBD3641
DMC4131	Fits PBD4131
DMC4141	Fits PBD4141
DMC4151	Fits PBD4151
DMC4331	Fits PBD4331
DMC4341	Fits PBD4341
DMC4351	Fits PBD4351
DMC4631	Fits PBD4631
DMC4641	Fits PBD4641
DMC4651	Fits PBD4651
DMC5131	Fits PBD5131
DMC5141	Fits PBD5141
DMC5151	Fits PBD5151

Invacare **Matrix Hardware**

The *Invacare Matrix Easy Set hardware* is easily installed in minutes, and all adjustments can be made with the user seated in the wheelchair.



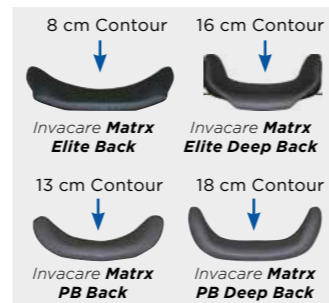
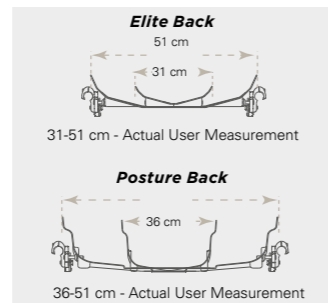
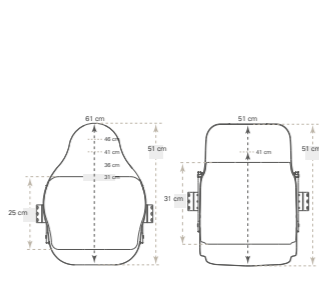
Key Features and Functional Benefits

- Quick release for easy portability
- Infinite adjustment of depth 10.2 cm, angle (40°) and rotation
- Fits 1.9 cm, 2.2 cm and 2.5 cm diameter canes

Optional Privacy Flap Attachment

All **Matrix PB Backs**, **Matrix Elite Backs** and **Matrix MX1 Backs** include loop fasteners for easy addition of the optional Privacy Flap. Four standard sizes of Privacy Flaps will be available to fit all standard backs from 30.5 to 50.5 cm wide. Model numbers PLAP-XS/S/M/L. **Matrix PB backs** having widths greater than 50.5 cm can be ordered with the Privacy Flaps at time of order.

Features and options



Styles

Invacare Matrix backs: Elite, Elite Deep, PB and PB Deep are interchangeable on the **Easy Set Hardware**.

Heights

Several back heights available to provide support from low to upper thoracic.

Widths

Backs widths from 28-74 cm are available to provide exact fit for each user.

Contour Depth

Choice of 4 contour depths for appropriate midline support requirements.

Accessories - Mounting Pins

Standard Mounting Pins

Standard mounting pins (included with all *Invacare Matrix PB/Elite backs*) allow the *Invacare Matrix PB back* to fit chairs 2.5 cm narrower or same model width. Allows **Elite Back** to fit chairs the same width

Extended Mounting Pins

Optional extended mounting pins available for *Invacare Matrix PB & Elite Backs* (Not available on Heavy Duty PB backs). Allows the back to fit chairs up to 5 cm wider.

Longer Mounting Pins

Longer mounting pins (included with all *Invacare Matrix PB/Elite backs*) allow the *Invacare Matrix PB* and **Elite Backs** to fit chairs 2.5 cm wider



Easy Set Hardware Adjustments



Depth

Adjusts 5 cm behind back canes.



Depth

Adjusts 5 cm in front of back canes.



Angle

20° anterior range of back angle adjustment.



Angle

20° posterior range of back angle adjustment.



Rotation

Back may be orientated to accommodate pelvic/trunk rotation.

Other Mounting Hardware Options



Heavy Duty "Easy-Set" Mounting Hardware

- Standard with Heavy-Duty Posture Backs
- Recommended for users over 136 kg, high tone or heavy use



Fixed Space Saver Mounting Hardware

- Non-Portable
- Requires tools for removal of back from wheelchair
- Saves space for tighter width applications
- Fully adjustable, available as a no charge option



Split Mounting Hardware

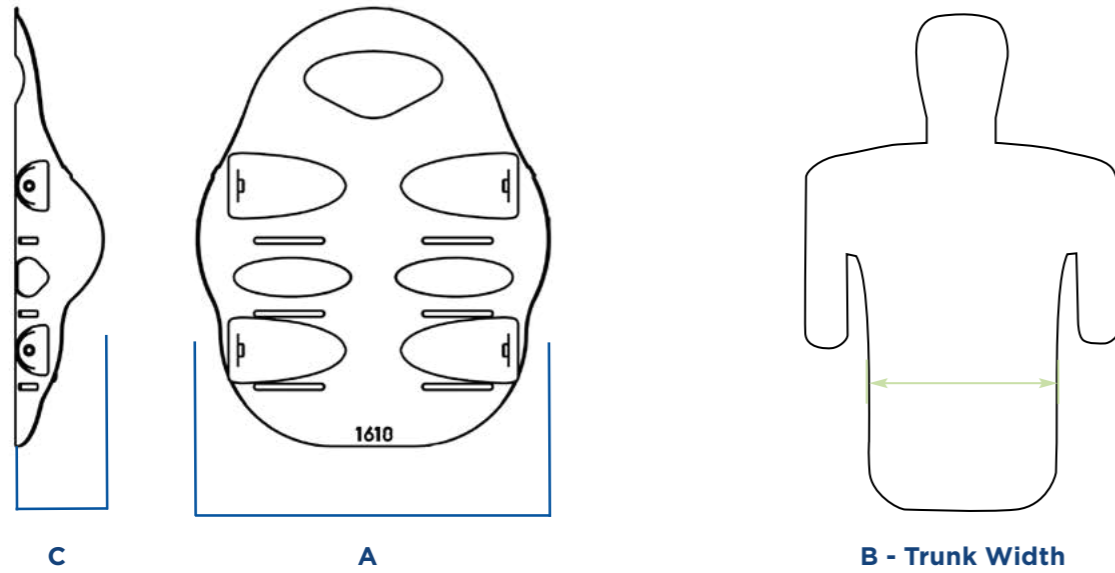
- Provides clearance of mid back cane ridgidizer bars or other impedences on the back canes
- Not recommended for Heavy-Duty Posture backs
- Available as a no charge option



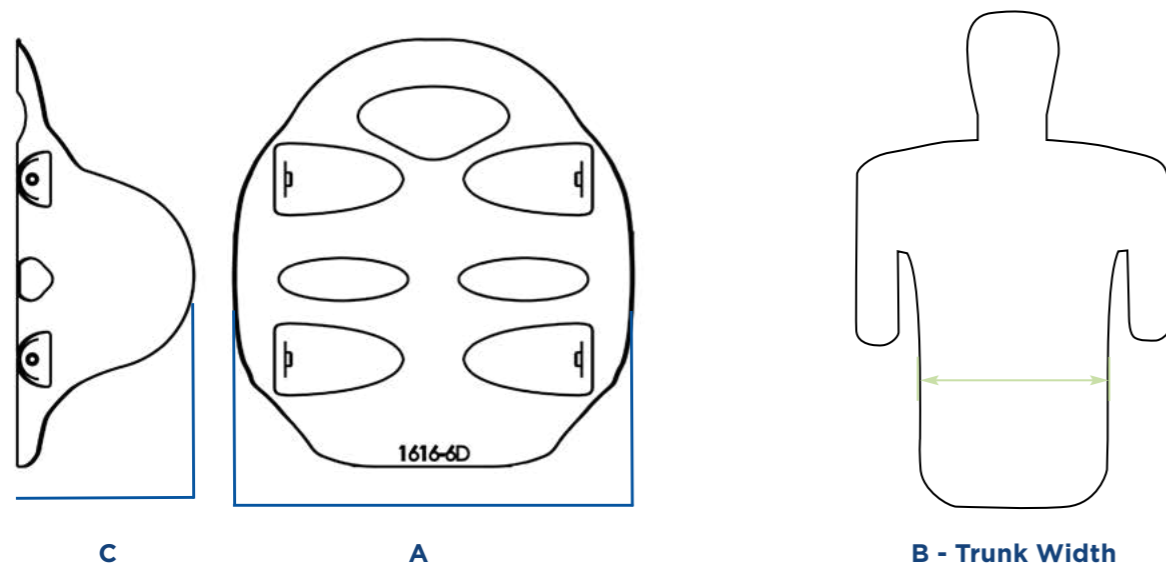
ETAC Mounting Hardware

Mounting Hardware that enables **Matrix backs** to be used with ETAC wheelchairs.

Invacare **Matrx Back Specifications**

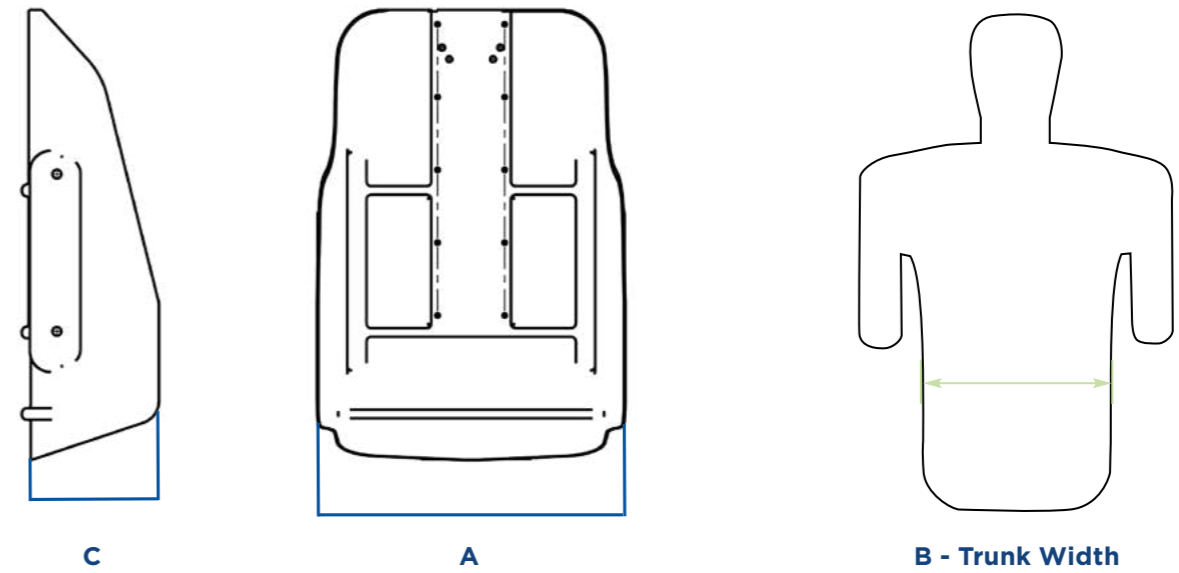


Invacare Matrx Elite Back Support									
Back Height	255 mm, 305 mm, 355 mm (available in 305 mm, 330 mm, and 355 mm widths), 405 mm, 455 mm, 505 mm								
Width	305 mm	330 mm	355 mm	380 mm	405 mm	430 mm	455 mm	480 mm	505 mm
Back Shell Only									
A-Outer Width	245 mm	260 mm	315 mm	340 mm	365 mm	390 mm	415 mm	440 mm	465 mm
C-Contour Depth	76 mm	76 mm	90 mm	90 mm	90 mm	90 mm	90 mm	90 mm	90 mm
Back Shell with Cover & Foam									
B-Trunk Width	175 mm	200 mm	250 mm	275 mm	300 mm	325 mm	350 mm	375 mm	400 mm

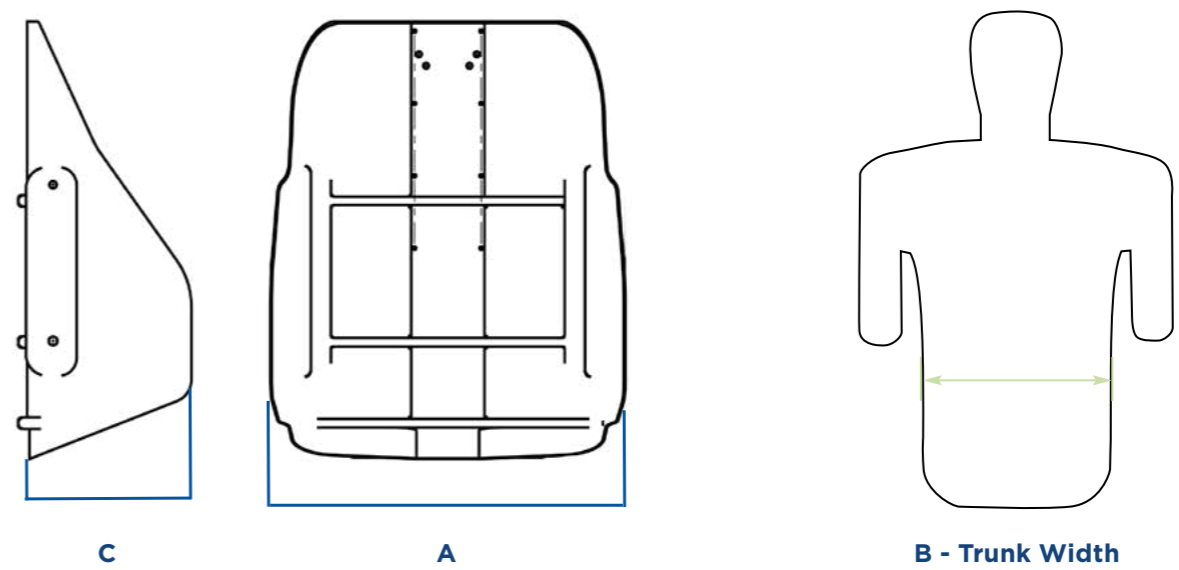


Invacare Matrx Elite Deep Back									
Back Height	305 mm, 405 mm, 455 mm, 505 mm								
Width	355 mm	380 mm	405 mm	430 mm	455 mm	480 mm	505 mm		
Back Shell Only									
A-Outer Width	335 mm	360 mm	385 mm	410 mm	435 mm	460 mm	480 mm		
C-Contour Depth	155 mm	155 mm	155 mm	155 mm	155 mm	155 mm	155 mm		
Back Shell with Cover & Foam									
B-Trunk Width	250 mm	275 mm	300 mm	325 mm	350 mm	375 mm	400 mm		
Depth adjustment	100 mm (50 mm in front or behind)								
Angle Adjustment	40 °								
Product Weight	Standard - 1.36 kg Deep - 1.81 kg								
Weight Capacity	136 kg								
Limited Warranty	2 years								

Invacare **Matrx Back Specifications**







Invacare Matrx PB Back					
Back Height	305 mm, 405 mm, 505 mm				
Width	355 mm	405 mm	430 mm	455 mm	505 mm
Back Shell Only					
A-Outer Width	310 mm	360 mm	385 mm	420 mm	465 mm
C-Contour Depth	125 mm	125 mm	125 mm	125 mm	125 mm
Back Shell with Cover & Foam					
B-Trunk Width	230 mm	275 mm	300 mm	330 mm	375 mm



Invacare Matrx PB Deep Back					
Back Height	305 mm, 405 mm, 505 mm				
Width	355 mm	405 mm	430 mm	455 mm	505 mm
Back Shell Only					
A-Outer Width	320 mm	370 mm	395 mm	435 mm	475 mm
C-Contour Depth	178 mm	178 mm	178 mm	178 mm	178 mm
Back Shell with Cover & Foam					
B-Trunk Width	230 mm	275 mm	300 mm	330 mm	375 mm
Depth adjustment	100 mm (50 mm in front or behind)				
Angle Adjustment	40 °				
Product Weight	Standard - 1.81 kg Deep - 2.25 kg				
Weight Capacity	136 kg				
Limited Warranty	2 years				

Technical data

For more comprehensive pre-sales information about this product, including the product's user manual, please see your local Invacare website.

	Width	Back shell weight	Max. cleaning temperature	Max. user weight
				
Elite Back	305 - 505 mm	1.36 kg	Cover: 60°	136 kg
Elite Deep Back	305 - 505 mm	1.81 kg	Cover: 60°	136 kg
PB Back	355 - 760 mm	1.81 kg	Cover: 60°	136 kg
PB Deep Back	355 - 760 mm	2.25 kg	Cover: 60°	136 kg
HD PB Back	505 - 610 mm	3.15 kg	Cover: 60°	227 kg
HD PB Deep Back	505 - 610 mm	3.70 kg	Cover: 60°	227 kg



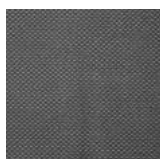
Crash Testing

Fire Testing:
EN 1021: Part 1 & 2

Bio-Compatibility:
ISO 10993-5

Colour

Mesh Tex fabric



Please notice colors may vary slightly from those displayed above.

Tel: +44 61 487 70 70
hqueurope@invacare.com
www.invacare.eu.com

Invacare International GmbH
Neuhofweg 51
4147 Aesch BL
Switzerland



Yes, you can.®