

AQUATEC®
Bath



Folding shower seats,
bathboard, bathmat





Invacare **R8802**

- Space-saving: mounted on the wall and can be folded when not in use
- Anatomically shaped seat surface for greater comfort when seated
- Simple and easy assembly (3 screws only)*



Aquatec® **Sansibar**

- Space-saving: mounted on the wall and can be folded when not in use
- Large hygiene recess makes personal hygiene easy
- Height-adjustable support legs for individual adjustment and additional stability
- Compensates for floor unevenness through finely adjustable feet



Invacare **R8804-60**

- Space-saving: mounted on the wall and can be folded when not in use
- Anatomically shaped seat surface for greater comfort when seated
- Armrests for secure, lateral hold
- Transfer is made easier by individual fold-away armrests

*Screws are not included in the scope of delivery for these products.



Invacare **Marina**

- Attractively designed bathtub board
- Non-slip seat surface
- Hand grip provides additional safety
- Practical shower head holder on both sides
- Individually adjustable using adjustment elements
- Also available as an XL version



Invacare **H190**

- High-quality bathtub mat
- Held securely in the bathtub by numerous small suction cups on the underside of the mat
- Non-slip surface for a secure hold while bathing or showering
- Extra long: covers the entire base of the bathtub

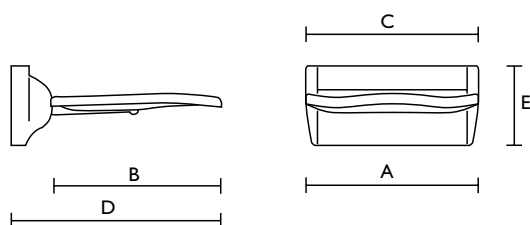
Technical data

For more comprehensive pre-sales information about this product, including the product's user manual, please see your local Invacare website.

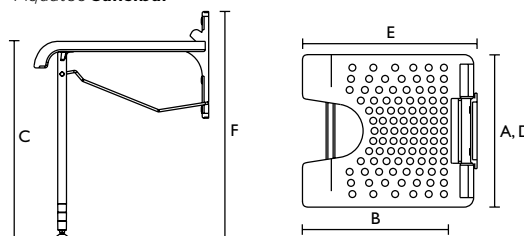
Order number	Invacare R8802	Aquatec® Sansibar	Invacare R8804-60	Invacare Marina /Marina XL	Invacare H190
Folding shower seat	R8802	9.10.101	R8804-60		
Bathtub board with hand grip				1525940	
Bathtub board XL				1471594	
Bathtub mat (VPE: 6 piece)					H190
Dimensions					
Seat width	380 mm (A)	400 mm (A)	380 mm (A)	-	406 mm (A)
Seat depth	370 mm (B)	410 mm (B)	370 mm (B)	-	690 mm (B)
Seat height	-	460 - 530*1 mm (C)	440 - 550 mm (C)	-	10 mm (C)
Total width	385 mm (C)	400 mm (D)	545 mm (D)	365 / 350 mm (A)	406 mm
Total depth	470 mm (D)	460 mm (E)	470 mm (E)	690 / 740 mm (B)	690 mm
Total height	180 mm (E)	530 - 600 mm (F)	770 - 880 mm (F)	160 mm (C)	10 mm
Width, hand grip	-	-	-	180 mm (D)	-
Adjustment range, inner dimension	-	-	-	390 - 630 / 420 - 690 mm (E)	-
Graduation, height adjustment	-	23 mm	-	-	-
Stepless height adjustment	-	-	0 - 110 mm	-	-
Height to armrests	-	-	700 - 810 mm (G)	-	-
Height, seat to backrest	-	-	150 mm (H)	-	-
Height, backrest	-	-	180 mm (I)	-	-
Width between the armrests	-	-	460 mm (J)	-	-
Depth, folded	105 mm	110 mm	115 mm	-	-
Height, folded	520 mm	540 - 610 mm	1080 - 1190 mm	-	-
More info					
Weight	4.8 kg	2.6 kg	9 kg	1.6 / 2.7 kg	1.1 kg
Load capacity	135 kg	130 kg	135 kg	150kg / 200kg	130 kg
Colour	White	White	White	White	Lavender blue

1. 3. Height adapter optional

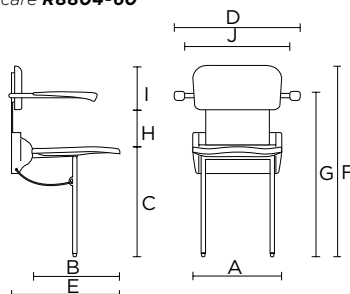
Invacare® **R8802**



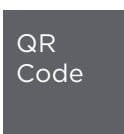
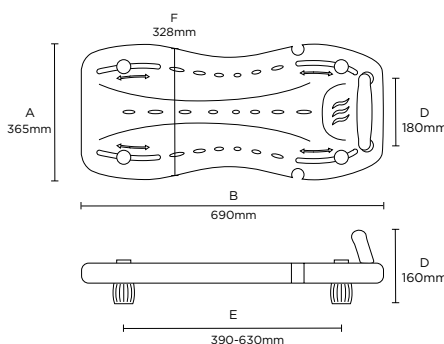
Aquatec **Sansibar**



Invacare **R8804-60**



Invacare **Marina**



Tel: +41 61 487 70 70
hqeuropa@invacare.com
www.invacare.eu.com

Invacare International GmbH
 Benkenstrasse 260
 4108 Witterswil
 Switzerland

