

SMOOV

NEW

SMOOV one O10



Product Information

SMOOV

Electric drive unit for active wheelchairs

Highlights	3
Product advantages	5
Product setup	6
Scope of delivery	7
Bracket mounting	8
Technical data	9
Spare parts	11
Order form	15



MADE IN GERMANY ■■■

All highlights at a glance



Dynamically en route

- A version with a maximum assistance of 6 km/h and 10 km/h available
- Active, swift handling thanks to the swivelling drive wheel
- Tilted driving with docked on drive is possible
- Slope up to 16 %



High range

- Range up to 20 km with one battery charging thanks to a highly efficient direct drive combined with state-of-the-art lithium ion technology



Lightweight

- Weighing just 7.2 kg, this is one of the lightest active drives on the market



Your „Low key“ companion

- Small, discreet drive unit under the wheelchair
- Modern, unobtrusive design



Easy to handle

- Intuitive docking and undocking of the drive and control unit
- Easy to use thanks to the ergonomic, wireless control unit



Minimum adjustments to your wheelchair

- Small, discreet bracket for the drive and control unit
- The wheelchair can still be used manually



Individually adaptable

- Personal settings and extension of the scope of functions possible via the SMOOV Mobility App

SMOOV one. **Be fly.**



Product advantages

The SMOOV one is an electric power assist drive unit for active wheelchairs which significantly increases the driver's mobility and flexibility.

The key benefits at a glance

- Discreet, unobtrusive design
- Swivelling drive wheel for dynamic driving
- Extremely swift, turns itself on the spot
- Efficient, high-performance drive unit
- Tilted driving is also possible with the SMOOV one
- Intuitive docking and undocking of the drive unit and control unit
- Easy to use thanks to the ergonomic, wireless control unit
- Individual adjustment and extension of the scope of functions possible via the SMOOV Mobility App
- Can be mounted to most active rigid-frame and folding wheelchairs

Wheelchair mounting

The SMOOV one was designed to be combined with rigid-frame wheelchairs. For this purpose, a small bracket must be fitted to the wheelchair crossbar. This is available for all current tube diameters. To attach the SMOOV one to folding wheelchairs, an optional adapter axle is required. This is fitted between the stub axles. The SMOOV one can be combined with folding wheelchairs with a wheel camber of up to 2°.

Compatibility check

Determine the following to ensure that the existing wheelchair can be combined with the SMOOV one: wheelchair manufacturer, exact model name, seat width and seat height in the case of rigid-frame wheelchairs. In the case of folding wheelchairs, the measure between the stub axles (measured internally) is necessary.

Contact our customer service with these details by calling 0800 9096-999 (toll-free) or by e-mail at info@alber.de. Alternatively, you can check yourself using our Dealer Information Pool (www.dip.alber.de).

Our quality claim – Your safety

Seal of approval
and testing institute



TÜV Süd, Hanover

CE conformity



Complies with the EU
Medical Device Directive 93/42/EEC

Drive unit



Control unit





Drive unit

- Unobtrusive, high-quality design
- Robust, rustproof housing and rustproof fork
- Integrated lithium ion battery pack for a range up to 20 km
- High-performance drive for a maximum speed of up to 6 km/h, optionally of up to 6 km/h or 10 km/h with the upgrade via the Mobility app
- On/Off button and remaining capacity and operating mode display
- Ergonomic carrying handle
- Magnetic charger socket
- USB-C socket to charge the control unit or a smartphone



Control unit

- Large, ergonomic speed selection and On/Off knob
- Integrated LED display for operating status and remaining capacity of drive unit and control unit
- Integrated lithium ion battery cell for an operating time of approx. 20 hours



Battery charger

- Handy, compact charger
- Automatic charging and switch-off mechanism
- Multi-range charger 100-240 V, 50-60 Hz
- Charging time of an empty battery approx. 6 hours



Charging cable

- To charge the control unit from the drive unit
- USB-C to USB-C cable
- Length approx. 0.5 m



Mobility app

- The smart extension for the SMOOV one
- For smartphones running on the Android or iOS operating system
- Download from Google Play or App Store

An overview of the free functions

- Cockpit: shows the remaining capacity, speed, range and drive modes
- Tour: to record, save and manage trips
- Settings: for drive unit, control unit and app adjustments
- Diagnosis: information on warnings and fault indications
- Info: details and further information on the product and app

Optional functions for upgrading the SMOOV one

- Speed: this function increases the maximum speed from 6 km/h to 10 km/h
- Navigation: this function enables start/destination navigation with wheelchair accessible routing, speech output and offline map material
- Performance: this function enables the speed to be set, regardless of the turning angle of the drive wheel
- AutoSpeed: this function enables acceleration to a previously defined speed by a turn on the control unit



SMOOV Mobility app:
available in the Google Playstore
and App Store.



BRACKET MOUNTING

Wheelchair installation kit

- Mechanical connection of the SMOOV one to the manual active wheelchair (please include in order if not present)
- Can be mounted on most active wheelchairs with a fixed crossbar/camber tube (rigid-frame wheelchairs)
- Consists of a crossbar/camber tube bracket set and control unit bracket set

Adapter axle

- Optional axle to combine SMOOV one with most folding wheelchairs
- The adapter axle is fitted between the stub axles; only compatible with wheelchairs with a wheel camber of 0° to 2°
- The length of the axle depends on the measure of the stub axle from left to right, measured internally
- The adapter axle can be easily fitted and removed so that the wheelchair can still be folded



Crossbar/camber
tube bracket set



Control unit
bracket set



Adapter axle

General*

Weight of the person	Max. 140 kg
Permissible total weight	Max. 170 kg
Climbing capability	Up to 16 %

Drive unit

Motor power rating	250 W
Max. motor power	450 W
Operating voltage	36 V
Speed	0–6 km/h (optionally up to 10 km/h)

Battery pack (drive unit)

Battery cells	36 V; 6.2 Ah Lithium ion cells, leakproof and maintenance-free 24 months guarantee
Battery power	224 Wh Safe for air transportation according to IATA
Range	Up to 20 km, depending on the ground surface, the weight of the person, temperature and terrain

Battery charger

Input voltage	100–240 V
Frequency range	50–60 Hz
Output voltage	48 V (DC)
Charging current	1 A
Charging time	Approx. 6 hours

Weight

Drive unit	7.2 kg
Control unit	250 g
Battery charger	500 g
Control unit bracket	Approx. 100 g**
Crossbar/camber tube bracket	Approx. 230 g**



EC compliant according to the
Medical Device Directive 93/42/EEC

Dimensions

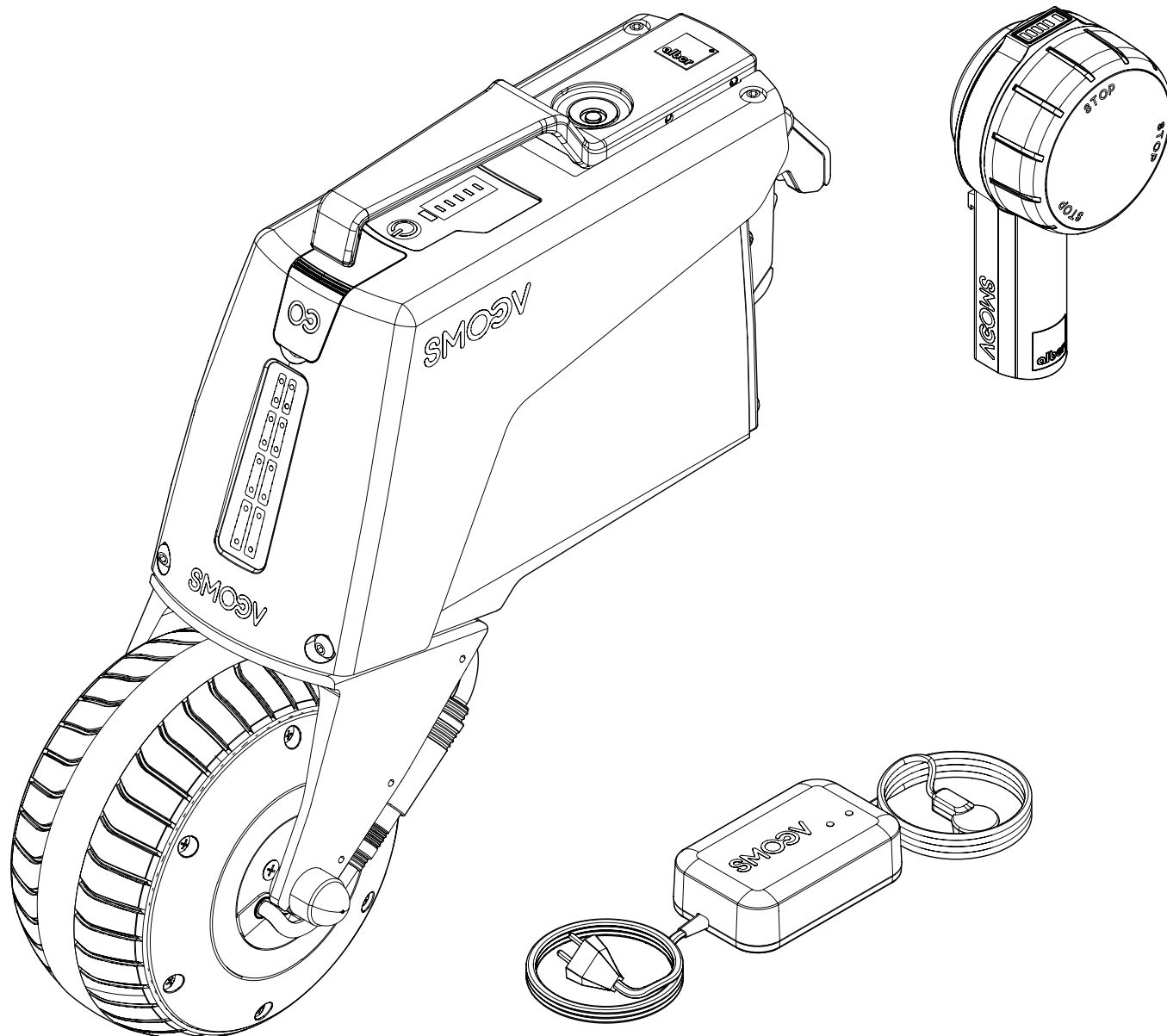


Components	12
Drive unit	13
Control unit	14



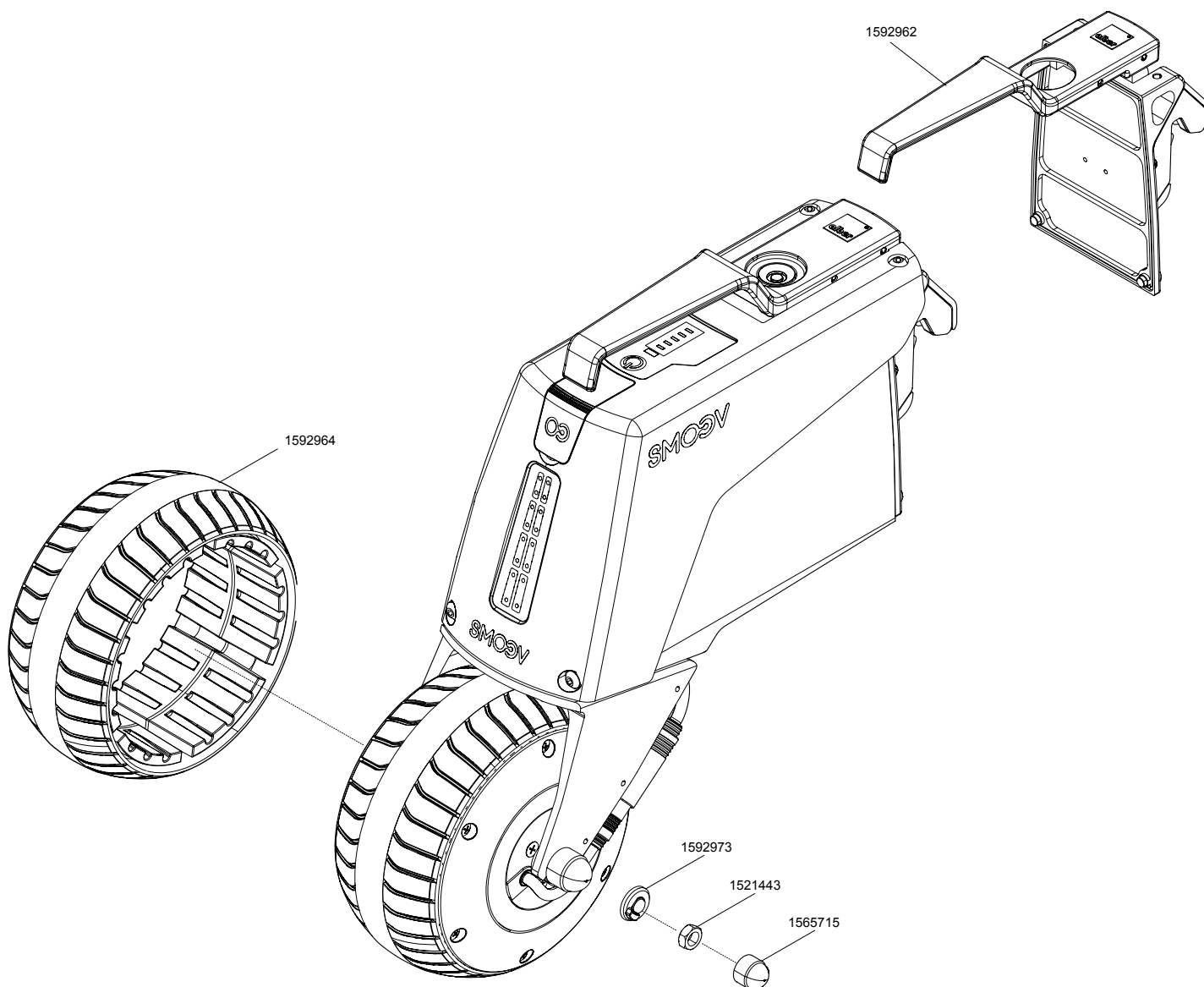
SPARE PARTS AND SPARE PART PRICES

Components



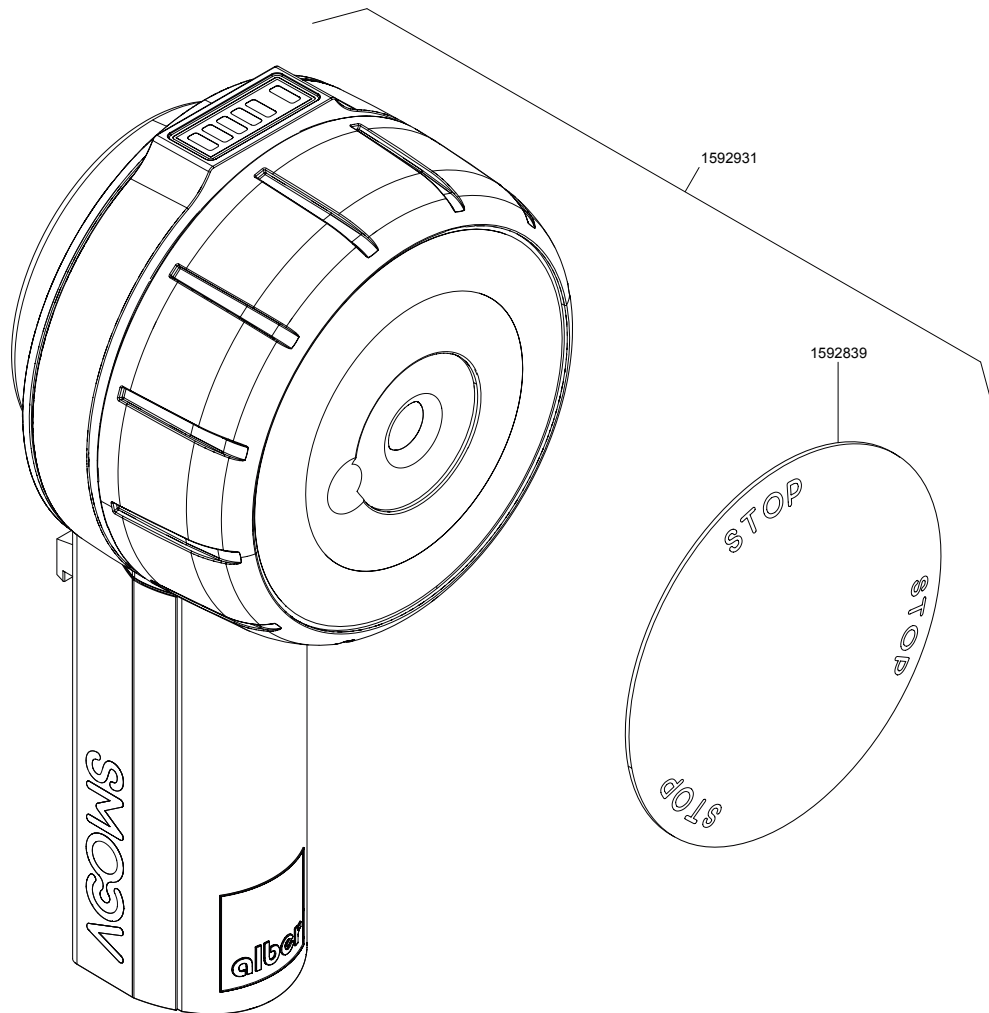
Order number	Description	Quantity	Net price in EUR
1592926	SMOOV one O10 battery charger	Unit	240.00
1592930	SMOOV one O10 drive unit	Unit	3,800.00
1592931	SMOOV one O10 control unit	Unit	860.00

Drive unit



Order number	Description	Quantity	Net price in EUR
1521443	Nut for screw axle Z10/Z20 and P15	Unit	0.50
1565715	Axle nut cap Z10/Z20 / P15	Unit	0.85
1592964	SMOOV one O10 tyre	Unit	112.00
1592962	Handlebar	Unit	417.00
1592973	Sliding block	Unit	16.45

Control unit



Order number	Description	Quantity	Net price in EUR
1592839	SMOOV one O10 control unit cover	Unit	25.85



- Standard
- Required fields: ¹⁾**
Information required for processing!
- Option field

- ORDER
- QUOTE

Invoice address (stamp or fill in legibly) Cust. no. _____

Company _____

Street _____

ZIP/Place _____

Invoice address (stamp or fill in legibly) Cust. no. _____

Company _____

Street _____

ZIP/Place _____

Type of order

- Mounting by customer²⁾
(fully complete the section "Information about the wheelchair"!)
- Mounting by Alber in the factory³⁾ 1457810 100,00 EUR

Mode of shipment

- Standard 0,00 EUR

Consignment _____

SMOOV one O10 – 6 km/h 1592897 * EUR

SMOOV one O10 – 10 km/h 1592898 * EUR

*Please refer to your pricelist

Accessories

- Bracket set SMOOV one 1592899 80,00 EUR
(for combination with rigid wheelchair)
- Adapteraxle incl. bracket 1592900 125,00 EUR
Adapteraxle only compatible to 0 – 2° camber
(for combination with foldable wheelchair)

Distance wheel stub axle to wheel stub axle inbetween _____ cm



Wheelchair details

Wheelchair manufacturer (e.g. Kuschall) _____

Model (e.g. Compact) _____

Year of manufacture _____

Seat width _____ cm
Seat width from ca. 36–46 cm only



Seat height _____ cm
Combination above seat height 40cm possible



Notes (mounting, delivery etc.)

Date _____ / _____ / _____ Signature of buyer _____

Date 01.01.2019. All prices before VAT, excl. packaging. The general Terms and Conditions of Alber GmbH apply, subject to change.

1) In order to smoothly and quickly process your order we require ALL information in the fields highlighted in blue.
2) Installation kits can only be shipped to trained specialist dealers (installation training).
3) Please send the wheelchair with a copy of this order as soon as possible and freight paid to Alber.





SMOOV

by Alber GmbH

Vor dem Weißen Stein 21
72461 Albstadt, Germany
Phone +49 07432 2006-500
Fax +49 07432 2006-298
contact@smoov.com