



Simply mobile.

PRODUCT INFORMATION

NEW

A photograph of an elderly couple walking on a sandy beach path. The man is seated in a black and gold electric wheelchair, wearing a brown jacket and glasses. The woman is walking beside him, wearing a cream-colored jacket and brown pants. A black dog is walking in the foreground, holding a stick in its mouth. The background shows a sandy dune area with dry grass under a cloudy sky.

erivo®

The light & foldable
electric wheelchair



erivo®

The light & foldable
electric wheelchair

Innovations at a glance	2
Product benefits	6
Delivery contents	7
Product design	8
Accessories	9
Technical specifications	10
Spare parts	13
Order form	22
GT&C	23



**Seat ergonomics**

- Fixed plastic seat - ideal for adding special seat cushions
- Foot supports with 3 height settings
- High backrest offers stability and comfort

**Quick folding**

- The erivo folds up for compact storage
- The anti-tip wheels allow it to be moved like a trolley

**Drive wheel**

- 12.5" drive wheel with pneumatic tires
- Optimal tires for different types of terrain
- Good at overcoming obstacles
- Integrated braking system (engine braking)

**Rear wheel suspension**

- Suspension for a comfortable ride over uneven ground such as gravel or cobblestones

**Control panel**

- User-friendly control panel with basic functions
- Speed selection, 5-segment battery display, joystick, horn
- Integrated charging socket

**Transport bag**

- Integrated bag on the back with fastening strap
- Light-reflecting edges for additional safety at night



- The back can be folded down to make the erivo even more compact for stowing



always at hand.



Product benefits

always at hand. The erivo is your everyday companion. It is fast, easy to stow in the trunk, and extends the range and independence of the user at home or out and about.

Key product benefits at a glance

- Up to 150 kg passenger weight load
- Compact dimensions when folded, perfect for transporting in the trunk
- Two-colour paintwork offers a sporty, contemporary design
- Frame made from robust die-cast aluminum
- Comfortable chassis with suspension at the rear on the drive wheels
- Simple control panel, intuitive operation
- Universal use – Class B product for indoors and outdoors
- High mobility with excellent handling characteristics even in small spaces
- Intelligent electronics and service diagnosis via LiNX Access from Dynamic Controls

Our quality assurance – your safety

Tested by TÜV Süd, Hanover in accordance with IOS 12184:2014

CE-compliance		Complies with EU guidelines for medical devices 93/42/EWG	
Device class	<input checked="" type="checkbox"/> Class A (indoors) erivo R10	<input checked="" type="checkbox"/> Class B (indoors and outdoors) erivo pro R11	<input type="checkbox"/> Class C (outdoors)

Function



Switch with ease to manual operation. Disengage the wheels using the red lever...



... and simply push the system using the padded handle.



erivo R10 / erivo pro R11

- Sporty, dynamic & contemporary design
- Large, sprung 12.5" drive wheels (pneumatic tires), 8" front wheels (PU)
- 2x high performance motors, 250 W each
- Smart folding technology with locking mechanism
- Fixed seat for ergonomic sitting comfort
- Arm rests can be tilted up to make transfers easier to manage
- Swivel arm to move the control panel
- Swivel leg supports with 3 height settings
- Power module: LiNX DLX-PM60C
- Practical bag on the back with closing flap
- Foam-covered push bar



Control panel, LiNX DLX-REM-60A

- Clear and simple control panel with joystick
- Variable speed adjustment from 1.5 – 6 km/h
- 5-segment battery display
- Horn
- Charging socket



R10 battery pack

- High-performance lithium-ion cells for long battery life
- Range up to 17 km with 11.0 Ah battery pack (depending on terrain, passenger weight, temperature, wheelchair settings and topography)
- Easy to take out and put back in
- Weight: just 2.4 kg
- Integrated carry handle
- Optional: 30.15 Ah battery pack with up to 35 km range (Series for version pro R11)
- The battery pack can be charged in the wheelchair or separately
- Charging time: 11 Ah battery pack approx. 6 hours (2A charger)
30 Ah battery pack approx. 6.5 hours (6A charger recommended)



Charger, 2A

- Electronic charge and switch-off mechanism
- Automatic adaptation to mains voltage (100 – 240 V)
- 6A charger. Warning: Only suitable for the 30.15 Ah battery pack (Series for version pro R11)

Compact folding

The erivo can be folded together in no time.
When folded, the erivo can simply be stored in a corner or in the trunk.



The folding mechanism

To fold the erivo, simply pull on the red locking lever located underneath the seat on the right. As you pull the locking lever upwards, pull the seat and backrest together.



Simply compact

When folded, the erivo is approximately the size of a suitcase. This means the erivo can easily be stowed in a car trunk or tucked away in a corner if it is not needed at home.



Lighting set

- Delivery contents for the erivo pro R11 include
- 45 LUX lamps
- Splash-proof IPX4
- Operation time approx. 6.5 hours
- Switch-on protection: Double click to switch on
- The front and back lights can be charged via a USB cable on the PC or a smartphone mains adapter (mains adapter not included in delivery contents)
- Consisting of 2x front lights, 2x back lights, 1x USB charging cable
- Lighting set also available with just one front and back light



Optional 30.15 Ah battery pack

- Battery pack with up to 35 km range (Series for version erivo pro R11)
- Charging time: 30 Ah battery pack approx. 6.5 hours (6A charger)



Attendant control

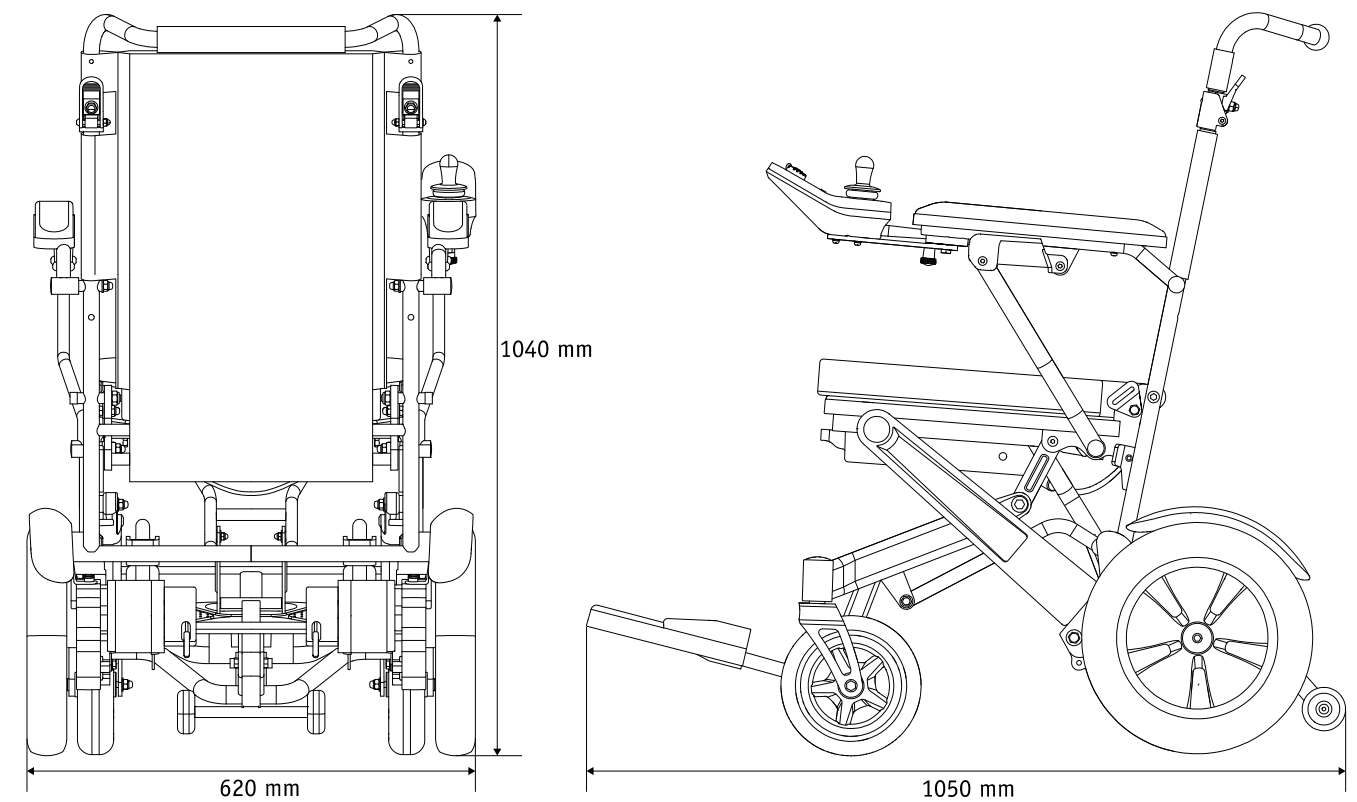
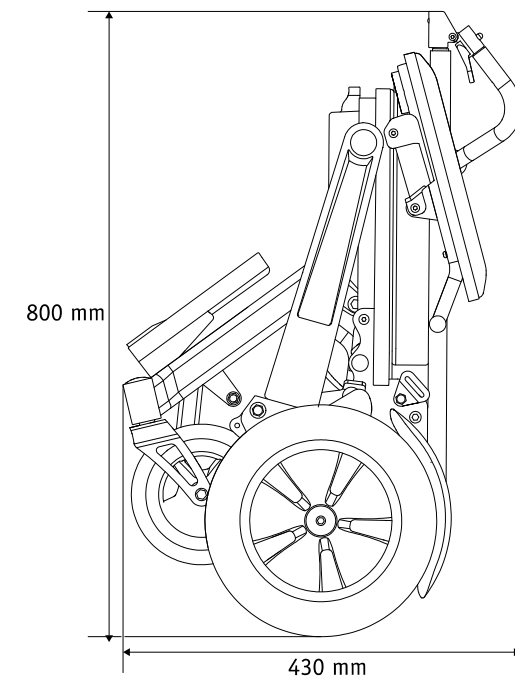
- Simple and ergonomic operation by an attendant
- Variable speed from 1.95 – 6 km/h
- Attendant control becomes active when the system is switched to attendant control





System	R10	pro R11
Load	150 kg	150 kg
Range	17 km	35 km
	depending on terrain, passenger weight, temperature and topography	
Nominal gradient	6° (10.5%)	6° (10.5%)
Speed	1.5–6 km/h	1.5–6 km/h
Protection class	IPX4 (splash-proof)	IPX4 (splash-proof)
Lighting	-	2x front lights 2x back lights 2x white front reflectors
Device class	Type class A	Type class B
Components		
Motors	2x 250 W, 24 V, 140 r/min, IP44	2x 250 W, 24 V, 140 r/min, IP44
Control panel	LiNX DLX-REM-60A Speed pre-selection, horn, battery capacity display, error display	LiNX DLX-REM-60A Speed pre-selection, horn, battery capacity display, error display
Power module	LiNX DLX-PM60C (Attendant control can be retrofitted)	LiNX DLX-PM60C (Attendant control can be retrofitted)
Attendant control	LiNX DLX-REM-50A	LiNX DLX-REM-50A
Drive wheel	12.5" (pneumatic tires 2.8 bar)	12.5" (pneumatic tires 2.8 bar)
Front wheels	8" (solid rubber)	8" (solid rubber)
Battery pack		
Cell type	Lithium-ion cells, leakproof and maintenance-free	Lithium-ion cells, leakproof and maintenance-free
Capacity	11.00 Ah, 284.9 Wh	30.15 Ah, 759.8 Wh
Voltage	25.9 V	25.2 V
Operating temperature	-25°C to +50°C	-25°C to +50°C
Charger		
Charging current	2A	6A
Input voltage	100–240V AC, 50–60Hz, 1.2–0.5 A, automatic adjustment to the mains voltage, charge and switch-off mechanism	100–240V AC, 50–60Hz, 2.5 A, automatic adjustment to the mains voltage, charge and switch-off mechanism
Output voltage	24 V	24 V
Charging time	approx. 6 h	approx. 6.5 h
Protection class	IP54	IPX1
Weight		
Weight without battery pack	27.3 kg	27.3 kg
Battery pack	small (11.0 Ah) 2.4 kg	large (30.15 Ah) 4.6 kg
System with battery pack	29.7 kg	31.9 kg
Dimensions		
Seat width	45 cm	45 cm
Seat depth	47 cm	47 cm
Seat height	51 cm	51 cm
Backrest height	45 cm	45 cm
Total length	105 cm	105 cm
Total width	62 cm	62 cm

Product dimensions



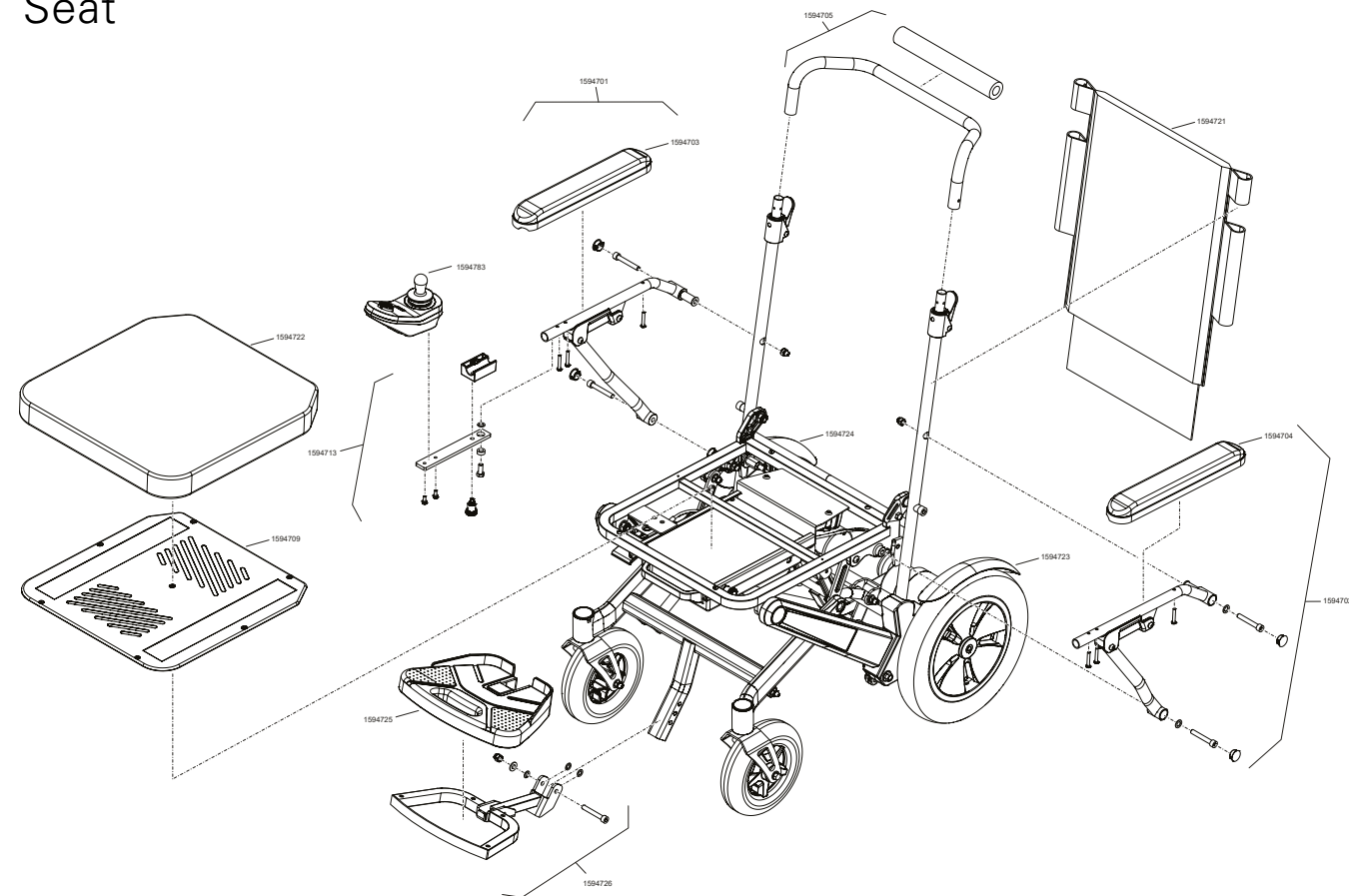


Seat	14
Folding mechanism	15
Castor	16
Drive wheel	17
Drive unit, Battery-Pack, Charger	18
Anti tipper	19
Cables	20
Attendant control	21

SPARE PARTS AND PRICES

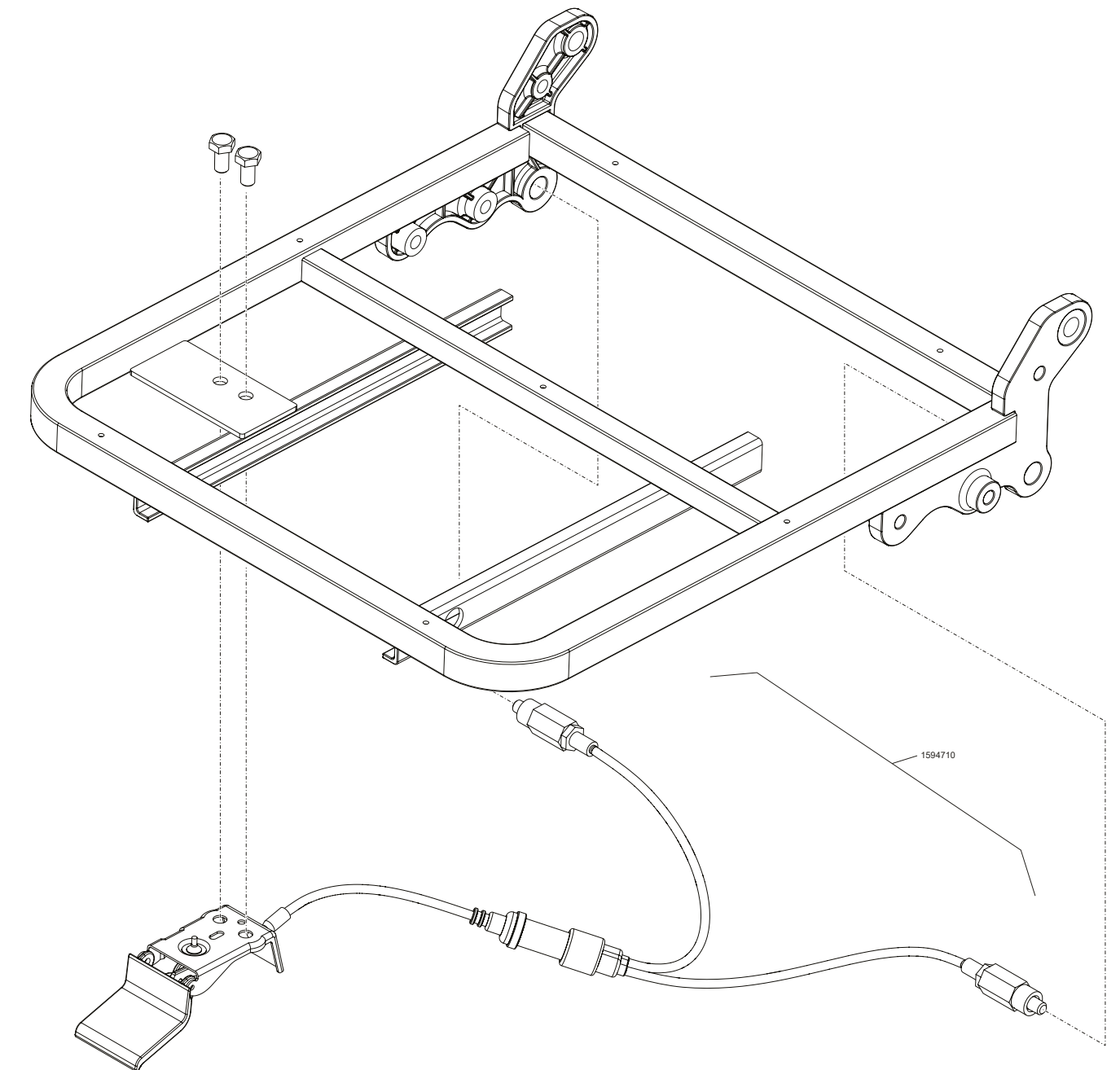


Seat



Order number	Description	Qty	Net in EUR
1594701	Armrest, completely pre-assembled right	pcs	191,51
1594702	Armrest, completely pre-assembled left	pcs	191,51
1594703	Armrest, upholstered, right	pcs	25,13
1594704	Armrest, upholstered, left	pcs	25,13
1594705	Push bar with foam cover, erivo R10	pcs	113,36
1594709	Seat plate R10, plastic	pcs	25,97
1594710	Bowden cable for folding mechanism with release lever, R10	pcs	91,51
1594711	Screw (M8x15L)	pcs	4,96
1594712	Handle folding mechanism	pcs	89,83
1594713	Swivel arm for control unit, erivo R10	pcs	57,90
1594721	Backrest cover erivo R10	pcs	57,06
1594722	Seat cushion erivo R10	pcs	50,34
1594723	Splash guard rear wheel, left	pcs	26,81
1594724	Splash guard rear wheel, right	pcs	26,81
1594725	Footrest, plastic	pcs	21,76
1594726	Footrest, cpl. pre-assembled	pcs	110,84
1594783	LINX REMOTE DLX-REM060-A	pcs	406,54
1594977	Sigma AURA 45 USB (incl. USB charging cable, without power plug)	pcs	53,74

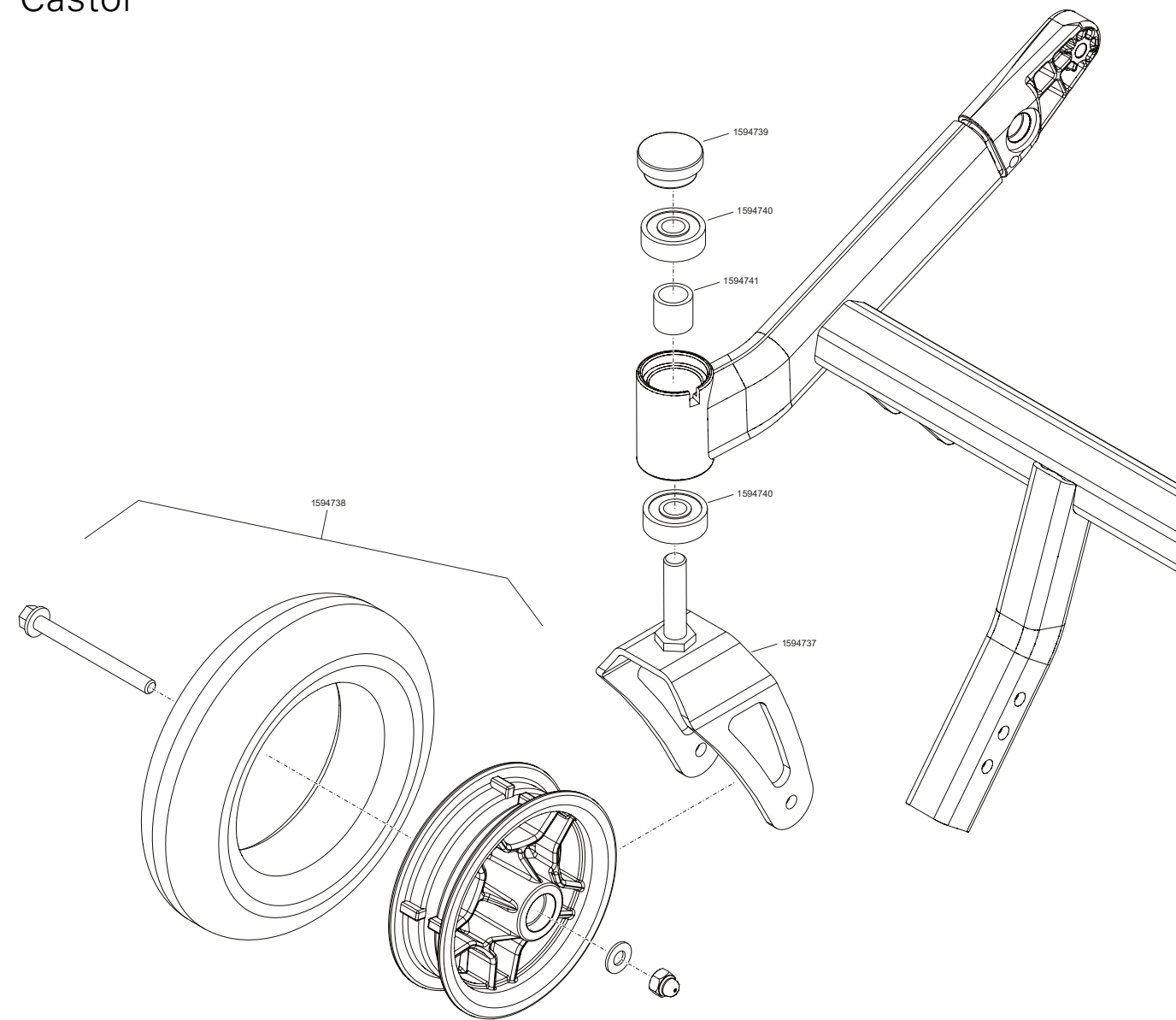
Folding mechanism



Order number	Description	Qty	Net in EUR
1594710	Bowden cable for folding mechanism with release lever, R10	pcs	91,51

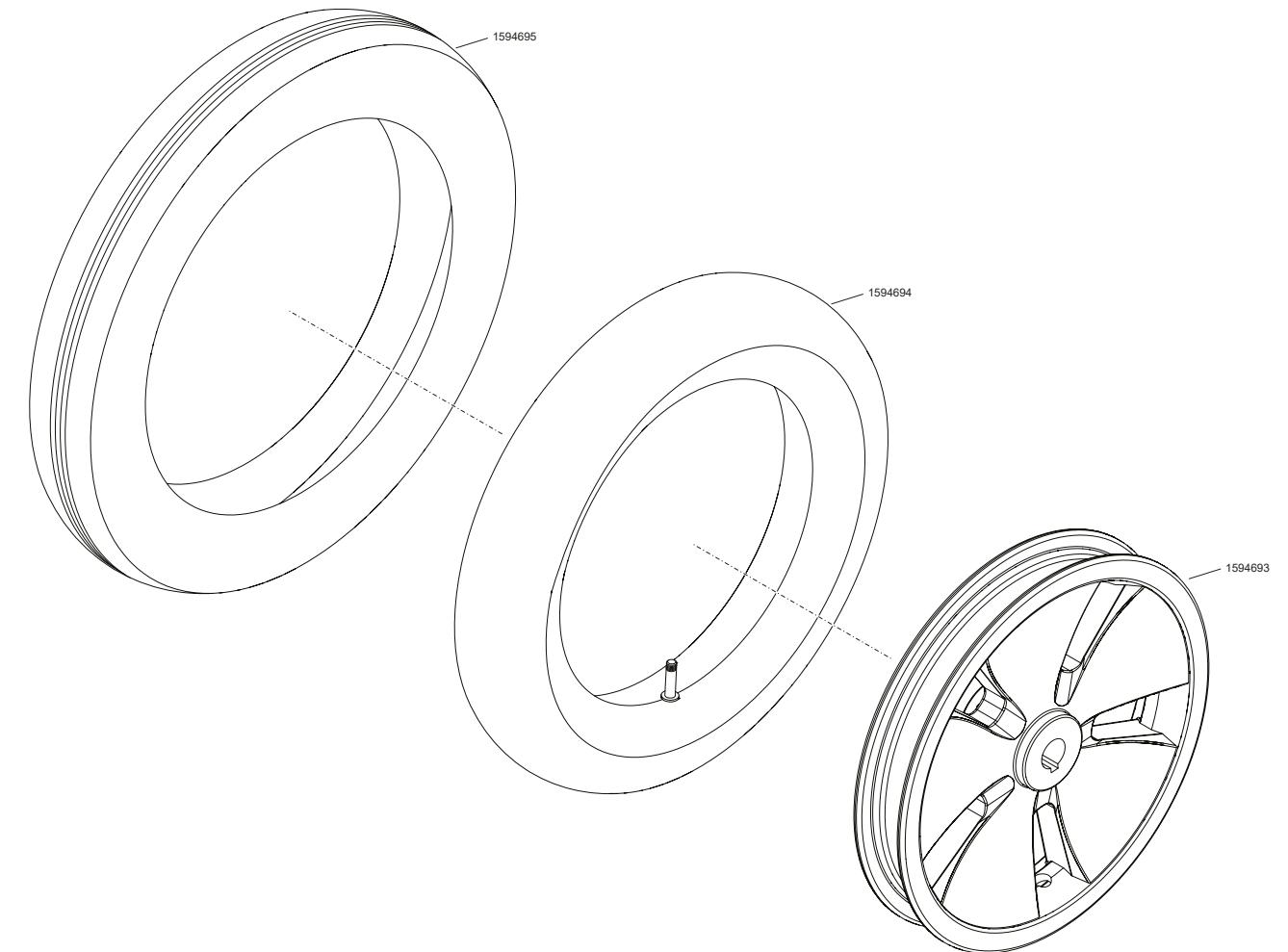


Castor



Order number	Description	Qty	Net in EUR
1594737	Steering fork erivo R10	pcs	44,45
1594738	Front wheel erivo R10, complete with rim and PU tire, screws	pcs	57,06
1594739	End caps, side frame, plastic	pcs	2,44
1594740	Ball bearing steering fork	pcs	18,40
1594741	Spacer for ball bearing	pcs	6,64

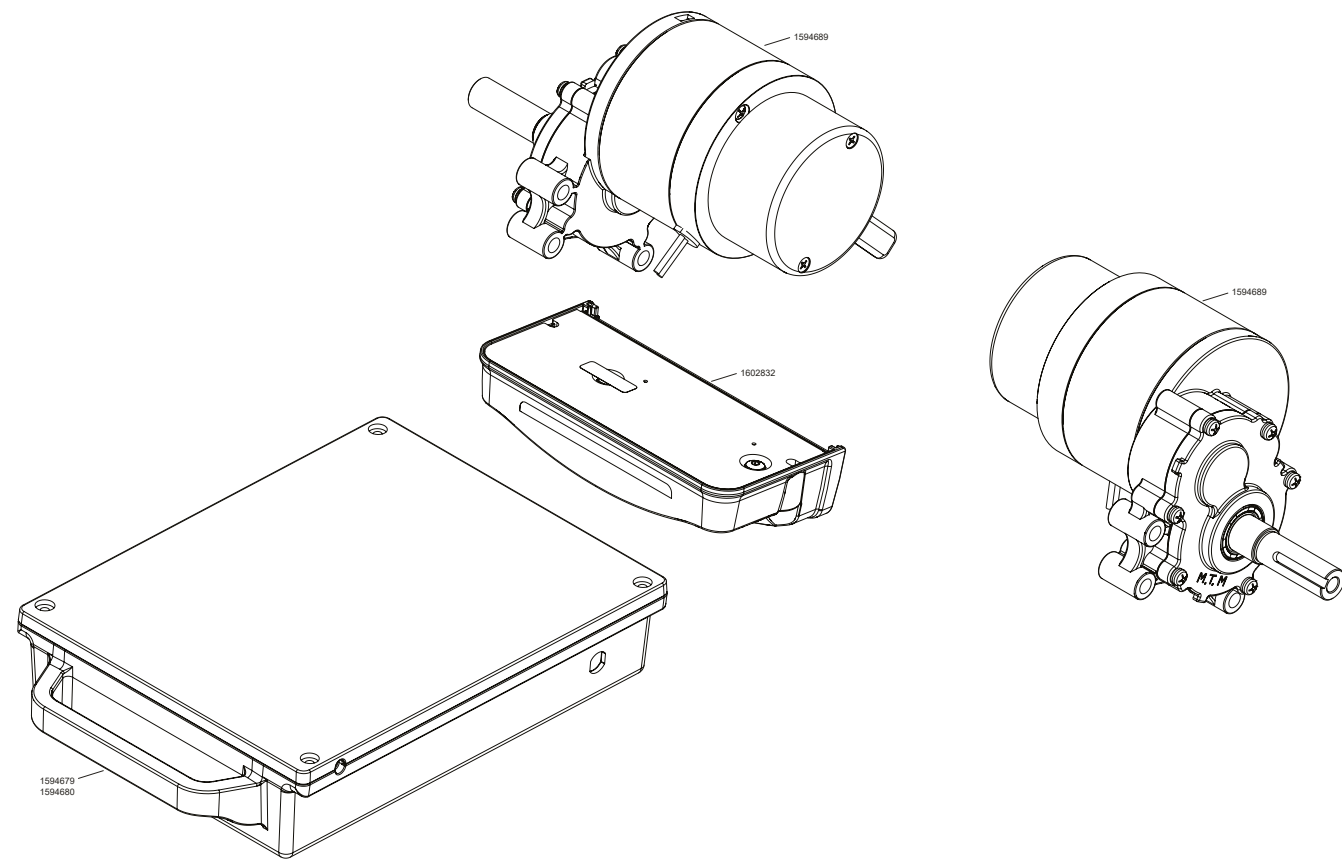
Drive wheel



Order number	Description	Qty	Net in EUR
1594693	Rim erivo R10, rear wheel, plastic, black	pcs	57,90
1594694	Tube erivo R10, 12 1/2"	pcs	25,97
1594695	Tire erivo R10, pneumatic, 12 1/2"	pcs	87,31

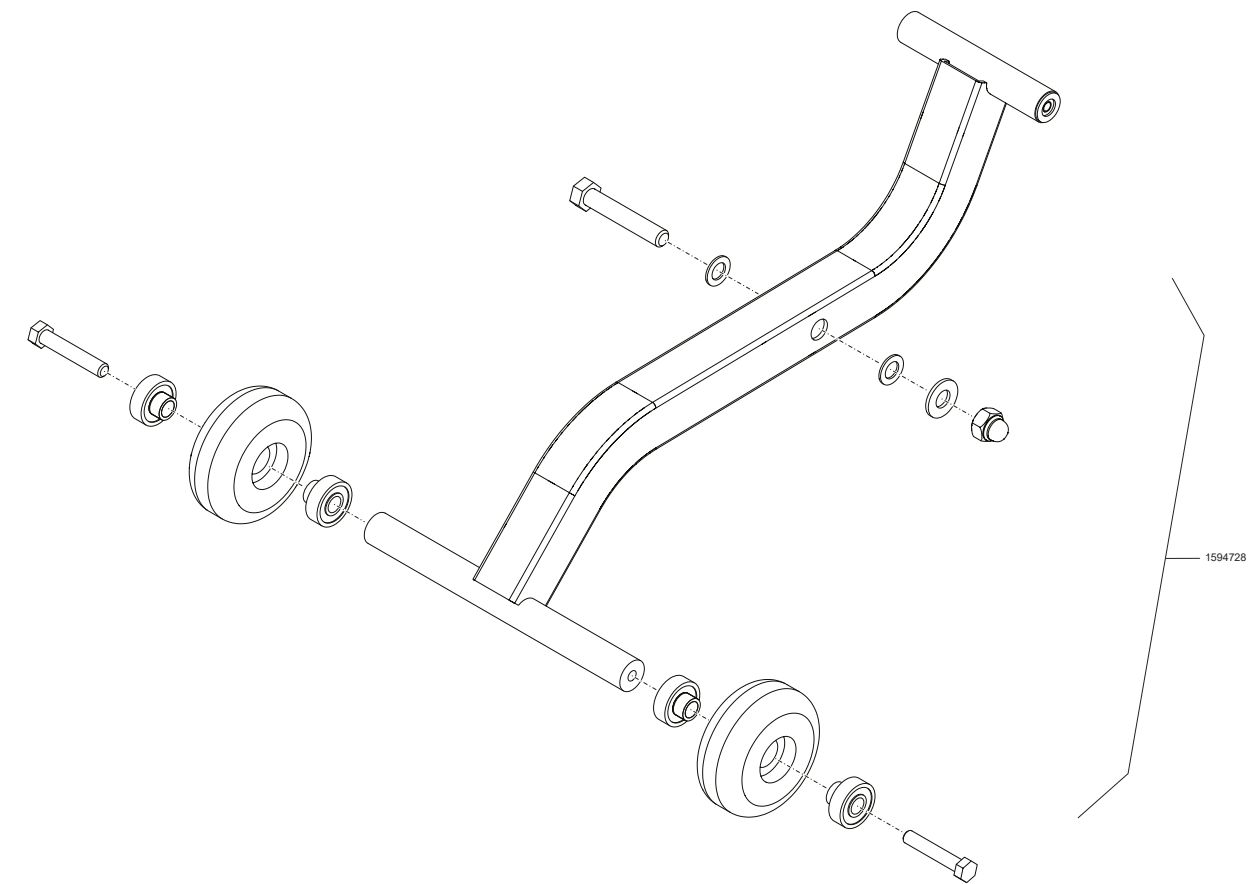


Drive unit, Battery-Pack, Charger



Order number	Description	Qty	Net in EUR
1594679	Battery pack R10, lithium-ion, 11 Ah	pcs	540,19
1594680	Battery pack R10, lithium-ion, 30.15 Ah	pcs	850,47
1594689	Motor/gearbox unit cpl. R10, left	pcs	419,33
1594690	Motor/gearbox unit cpl. R10, right	pcs	419,33
1594691	Charger, Automatic, 2 Amp.	pcs	80,59
1594692	Mains cable EU, erivo R10	pcs	16,72
1594782	Charger, Automatic, 6 Amp.	pcs	163,78
1602832	LiNX,DLX-PM60	pcs	349,50

Anti tipper



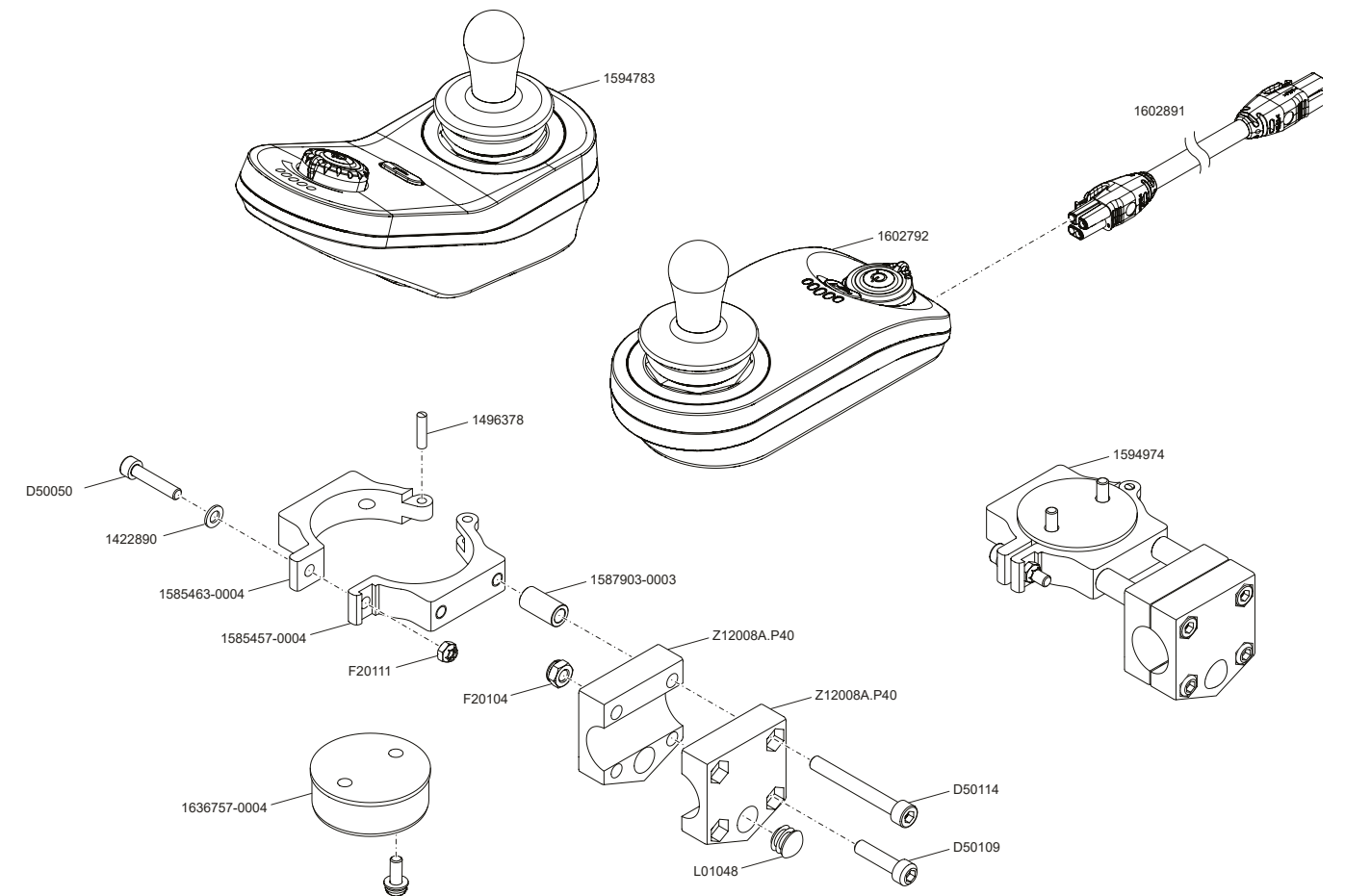
Order number	Description	Qty	Net in EUR
1594728	Antitipper erivo R10, completely preassembled	pcs	78,07



Cables

Order number	Description	Qty	Net in EUR
1594697	Cable, battery pack	pcs	80,59
1594698	Ferrite core for motor cable	pcs	25,13
1594699	Cable, control unit erivo R10	pcs	50,34
1594700	Frame for connector for battery pack erivo R10	pcs	10,00

Attendant control



Order number	Description	Qty	Net in EUR
1594783	LINX REMOTE DLX-REM060-A	pcs	406,54
1602792	LiNX,DLX-REM050 Remote DO js front	pcs	299,07
1602891	LiNX,GLM-BUS100 BUS cable 1000mm	pcs	49,50
1594783	LINX REMOTE DLX-REM060-A	pcs	406,54
1594974	Bracket set attendant control unit, incl. Buscable 100 cm	pcs	135,51
1602891	LiNX,GLM-BUS100 BUS cable 1000mm	pcs	49,50
1496378	DIN7 m6 4x16	pcs	1,60
D50050	SHR-ZYL-ISO4762-8.8-ZN5-FN/T2-M5X25-NSP	pcs	0,76
1422890	SHB-DIN125-A-140HV-(ZN5/FN/T2)-D5,3-NSP	pcs	0,76
1585457-0004	Clamp fixed black Attendant remote DX2	pcs	36,05
F20111	DIN985 M05 SVZ	pcs	0,76
F20104	MU-6KT-STOP-DIN985-I8I-SW10-(A2K)-M6	pcs	0,76
1587903-0003	Bush Attendant control D=10 d=6,1 l=19	pcs	14,20
Z12008A.P40	Clamp with hex hole	pcs	8,32
Z12008A.P40	Clamp with hex hole	pcs	8,32
D50114	SHR-ZYL-ISO4762-8.8-IS5-(A2K)-M6X50	pcs	0,76
D50109	DIN912 M06x25 8.8 VZ	pcs	0,76
L01048	Gleiter SL16 (cover)	pcs	0,76
1636757-0004	Cylinder receptacle TDX SP2 ULM LiNX	pcs	28,49



- Standard
- Option field
- Required fields:**¹
Information required for processing

- ORDER
- QUOTE

Invoice address (stamp or fill in legibly) Cust. No. _____

Company _____

Street _____

ZIP/Place _____

Shipping address (if different from invoice address)

Company _____

Street _____

ZIP/Place _____

Consignment

erivo R10 Item-Nr. 1594813

Foldable power wheelchair, 6 km/h, 11 Ah/ 285 Wh, battery pack (approx. 17 km range), joystick control LiNX DLX REM060, SB 45 cm, ST 44 cm, RH 48 cm, seat cushion, charger 2 A

please refer to your price list

erivo pro R11 Item-Nr. 1594814

Foldable electric wheelchair, 6 km/h, 30,15 Ah /760 Wh battery pack (approx. 35 km range), lighting according to STVZO, joystick control LiNX DLX REM060, SB 45 cm, ST 44 cm, RH 48 cm, seat cushion, charger 6 A

please refer to your price list

Accessories

Attendant control Item-Nr. 1602792
LiNX DLX-REM050 **299,07 EUR**

Bracket for attendant control Item-Nr. 1594974
Suitable bracket for fixing the attendant control on the backrest incl. bus cable for connection to power module (in connection with new device 0,00 EUR) **135,51 EUR**

Lighting set Item-Nr. 1594975
According to StVZO, 2 white front spotlights, 2 red reflectors (already included in the version erivo pro R11) **107,48 EUR**

Spare battery, 11,0 Ah/ 285 Wh Item-Nr. 1594679
additional battery or as IATA airworthy battery < 300 Wh **540,19 EUR**

Spare battery, 30,15 Ah/760 Wh Item-Nr. 1594680
As additional battery not airworthy **850,47 EUR**

Comments (Delivery etc.)

Date _____ / _____ / _____ Signature of ordering party _____

Date 01.08.2022. All prices before VAT, including packaging ex factory. The general Terms and Conditions of Alber GmbH apply. Subject to changes.

1) In order to process your order smoothly and without loss of time, we require ALL information in the fields highlighted in blue.





Alber GmbH

Vor dem Weißen Stein 14
72461 Albstadt, Germany
Phone +49 07432 2006-0
info@alber.de

