



## KÜSCHALL THE KSL

en	<b>Active wheelchair</b>	
	User Manual .....	4
es	<b>Silla de ruedas activa</b>	
	Manual del usuario .....	44
pt	<b>Cadeira de rodas ativa</b>	
	Manual de utilização .....	88



This manual **MUST** be given to the user of the product.  
**BEFORE** using this product, read this manual and save for future reference.

©2018 Invacare Corporation

All rights reserved. Republication, duplication or modification in whole or in part is prohibited without prior written permission from Invacare Corporation. Trademarks are identified by ™ and ®. All trademarks are owned by or licensed to Invacare Corporation or its subsidiaries unless otherwise noted.

—

Todos los derechos reservados. Prohibida la reedición, copia o modificación total o parcial sin previa autorización por escrito de Invacare Corporation. Las marcas comerciales se identifican con ™ y ®. Todas las marcas comerciales son propiedad de Invacare Corporation o de sus filiales, o bien Invacare Corporation o sus filiales cuentan con las correspondientes licencias, a menos que se estipule lo contrario.

—

Todos os direitos reservados. A republicação, duplicação ou modificação total ou parcial estão interditas sem a autorização prévia por escrito da Invacare Corporation. As marcas comerciais são identificadas pelos símbolos ™ e ®. Todas as marcas comerciais são propriedade da ou estão licenciadas à Invacare Corporation ou às suas subsidiárias, excepto quando apresentada informação em contrário.

---

# CONTENTS

---

This manual MUST be given to the user of the product.  
BEFORE using this product, read this manual and save for  
future reference.

<b>1</b>	<b>General</b> .....	<b>5</b>
1.1	Introduction .....	5
1.2	Symbols in this manual .....	5
1.3	Warranty information .....	6
1.4	Compliance .....	6
1.4.1	Product-specific standards .....	6
1.5	Intended use .....	6
1.6	Service life .....	6
1.7	Copyright protection .....	6
1.8	Limitation of liability .....	6
<b>2</b>	<b>Safety</b> .....	<b>8</b>
2.1	Safety information .....	8
2.2	Safety devices .....	9
2.3	Labels and symbols on the product .....	9
<b>3</b>	<b>Components and their functions</b> .....	<b>10</b>
3.1	Overview .....	10
3.2	Parking brakes .....	11
3.3	Backrest .....	12
3.4	Push handles .....	13
3.5	Footrest .....	14
3.6	Antitipper .....	14
3.7	Tires .....	15
3.8	Seat cushion .....	16
3.9	Calf strap .....	16
<b>4</b>	<b>Accessories</b> .....	<b>18</b>
4.1	Posture belt .....	18
4.2	Air pump .....	19
4.3	Passive illumination .....	19
<b>5</b>	<b>Setup</b> .....	<b>20</b>
5.1	Safety information .....	20
<b>6</b>	<b>Using the wheelchair</b> .....	<b>21</b>
6.1	Safety information .....	21
6.2	Braking during use .....	21
6.3	Getting in and out of the wheelchair .....	22
6.4	Driving and steering the wheelchair .....	23
6.5	Negotiating steps and kerbs .....	24
6.6	Going up and down stairs .....	26
6.7	Negotiating ramps and slopes .....	27
6.8	Stability and balance when seated .....	29
<b>7</b>	<b>Transport</b> .....	<b>30</b>
7.1	Safety information .....	30
7.2	Foldable backrest (optional) .....	30
7.3	Removing and installing the rear wheels .....	31
<b>8</b>	<b>Maintenance</b> .....	<b>33</b>
8.1	Safety information .....	33
8.2	Maintenance Schedule .....	33
8.3	Cleaning .....	35
8.4	Disinfection .....	36
<b>9</b>	<b>After Use</b> .....	<b>37</b>
9.1	Storage .....	37
9.2	Re-use .....	37
9.3	Disposal information .....	37
<b>10</b>	<b>Troubleshooting</b> .....	<b>38</b>
10.1	Safety information .....	38
10.2	Identifying and repairing faults .....	39
<b>11</b>	<b>Technical Data</b> .....	<b>41</b>
11.1	Dimensions and weight .....	41

11.2	Environmental conditions . . . . .	42
11.3	Materials . . . . .	42

# 1 GENERAL

## 1.1 Introduction

This user manual contains important information about the handling of the product. To ensure safety when using the product, read the user manual carefully and follow the safety instructions.

Note that there may be sections in this document, which are not relevant to your product, since this document applies to all available models (on the date of printing). If not otherwise stated, each section in this document refers to all models of the product.

The models and configurations available in your country can be found in the country-specific price lists.

Invacare reserves the right to alter product specifications without further notice.

Before reading this document, make sure you have the latest version. You find the latest version as a PDF on the Invacare website.

If you find that the font size in the printed document is difficult to read, you can download the PDF version from the website. The PDF can then be scaled on screen to a font size that is more comfortable for you.

For more information about the product, for example product safety notices and product recalls, contact your Invacare representative. See addresses at the end of this document.

## 1.2 Symbols in this manual

Symbols and signal words are used in this manual and apply to hazards or unsafe practices which could result in personal injury or property damage. See the information below for definitions of the signal words.



### WARNING

Indicates a hazardous situation that could result in serious injury or death if it is not avoided.



### CAUTION

Indicates a hazardous situation that could result in minor or slight injury if it is not avoided.



### IMPORTANT

Indicates a hazardous situation that could result in damage to property if it is not avoided.



### Tips and Recommendations

Gives useful tips, recommendations and information for efficient, trouble-free use.



This product complies with Directive 93/42/EEC concerning medical devices. The launch date of this product is stated in the CE declaration of conformity.



Manufacturer of the product.

### 1.3 Warranty information

We provide a manufacturer's warranty for the product in accordance with our General Terms and Conditions of Business in the respective countries.

Warranty claims can only be made through the provider from whom the product was obtained.

### 1.4 Compliance

Quality is fundamental to the company's operation, working within the disciplines of ISO 13485.

This product features the CE mark, in compliance with the Medical Device Directive 93/42/EEC Class 1.

We are continuously working towards ensuring that the company's impact on the environment, locally and globally, is reduced to a minimum.

We only use REACH compliant materials and components.

#### 1.4.1 Product-specific standards

The wheelchair has been tested in accordance with EN 12183. It includes a test for flammability.

For further information about local standards and regulations, contact your local Invacare representative. See addresses at the end of this document.

### 1.5 Intended use

This Active Wheelchair is intended to provide mobility to persons limited to a sitting position.

### Indications

Disabled persons ages 12 and up (adolescents and adults) with mobility difficulties and a restriction to a sitting position.

### Contraindications

There are no contraindications.



This active wheelchair needs to be prescribed and fit to your specific health condition.

### 1.6 Service life

The expected service life is five years, presuming that the product is used daily and in accordance with safety instructions, maintenance instructions and intended use, stated in this manual.

### 1.7 Copyright protection

This User Manual is protected by copyright. It may not be reprinted or copied or transferred to third parties in part or in full without the prior written consent of the manufacturer.

### 1.8 Limitation of liability

Invacare accepts no liability for damage arising from:

- Non-compliance with the user manual
- Incorrect use
- Natural wear and tear
- Incorrect assembly or set-up by the purchaser or a third party
- Technical modifications

- Unauthorised modifications and/or use of unsuitable spare parts

## 2 SAFETY

### 2.1 Safety information

This section contains important safety information for the protection of the wheelchair user and assistant and for safe, trouble-free use of the wheelchair.



#### **WARNING!**

##### **Risk of accidents and serious injury**

Accidents with resulting serious injury can occur if the wheelchair is improperly adjusted.

- Wheelchair adjustments must always be carried out by a specialist dealer.



#### **WARNING!**

##### **Risk due to driving style being unsuitable for the conditions**

There is a risk of skidding on wet ground, gravel or uneven terrain.

- Always adjust your speed and driving style to the conditions (weather, surface, individual ability, etc.).



#### **WARNING!**

##### **Risk of injury**

In a collision you could sustain injury to parts of your body that extend beyond the wheelchair (e.g. feet or hands).

- Avoid an unbraked collision.
- Never drive into an object head-on.
- Drive carefully through narrow passages.



#### **WARNING!**

##### **Risk due to wheelchair being out of control**

At high speed you could lose control of your wheelchair and overturn.

- Never exceed a speed of 7 km/h.
- Avoid collisions in general.



#### **CAUTION!**

##### **Risk of burning**

The wheelchair components can heat up when exposed to external sources of heat.

- Do not expose the wheelchair to strong sunlight before use.
- Before usage, check all components that come into contact with your skin for their temperature.



#### **CAUTION!**

##### **Risk of getting fingers caught**

There is always a risk of getting, e.g. fingers or arms, caught in the moving parts of the wheelchair.

- Make sure when activating the folding or insertion mechanisms of moving parts, such as the removable axle of the rear wheel, folding backrest or antitipper, that nothing becomes caught.



## 2.2 Safety devices



### **WARNING!** **Risk of accidents**

Safety devices that are incorrectly set or no longer working (brakes, antitipper) can cause accidents.

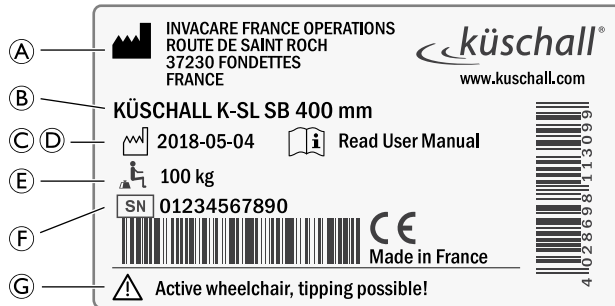
- Always check that the safety devices are working before you use the wheelchair and have them checked regularly by the specialist dealer.

The functions of the safety devices are described in chapter 3 *Components and their functions*, page 10.

## 2.3 Labels and symbols on the product

### Identification label

The identification label is attached to the frame of your wheelchair and gives the following information:



(A)	Manufacturer's address
(B)	Product description
(C)	Date of manufacture
(D)	Instruction to read the User Manual
(E)	Maximum user weight
(F)	Serial number
(G)	Warning that this is an active wheelchair and tipping is possible

### Snap hook symbol



#### **WARNING Symbol**

This wheelchair is not configured for passenger transport in a motor vehicle.

### Antitipper warning label

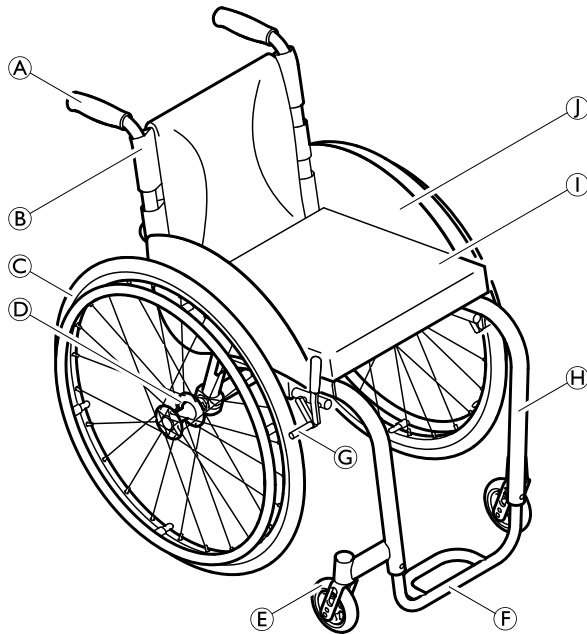


#### **WARNING: Read user manual**

Follow user manual instructions prior to the usage of an antitipper device.

## 3 COMPONENTS AND THEIR FUNCTIONS

### 3.1 Overview



Ⓐ	Push handles
Ⓑ	Back
Ⓒ	Rear wheel with handrim
Ⓓ	Removable axle
Ⓔ	Castor fork with castor
Ⓕ	Footrest
Ⓖ	Parking brake
Ⓗ	Frame
Ⓘ	Seat / Cushion
⓵	Clothes-guard

#### Short description

The KSL is a rigid frame wheelchair.



The equipment of your wheelchair may differ from the diagram as each wheelchair is manufactured individually to the specifications in the order.

## 3.2 Parking brakes

The parking brakes are used to immobilise the wheelchair when it is stationary to prevent it from rolling away.



### WARNING!

#### Risk of overturning if you brake sharply

If you engage the parking brakes while you are moving, the direction of movement can become uncontrollable and the wheelchair may stop suddenly, which can lead to a collision or to you falling out.

- Never engage the parking brakes while you are moving.



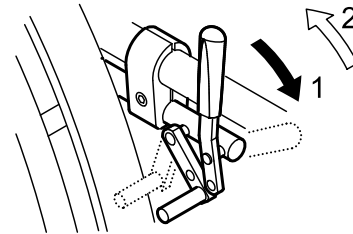
### WARNING!

#### Risk of overturning

The parking brakes will not operate correctly unless there is sufficient air in the tires.

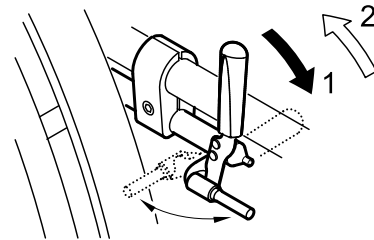
- Ensure the correct tire pressure, *3.7 Tires, page 15*.

### Standard brake



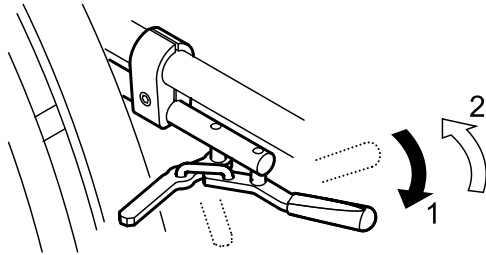
1. To engage the brake, push the brake lever forwards as far as possible.
2. To disengage the brake, pull the brake lever backwards.

### Performance brake



1. To engage the brake, push the brake lever forwards as far as possible.
2. To disengage the brake, pull the brake lever backwards.

## Active brake



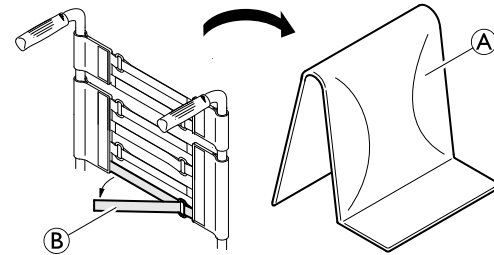
1. To engage the brake, pull the brake lever forwards beside or between your knees as far as possible.
2. To disengage the brake, push the brake lever backwards beside or between your knees.

## 3.3 Backrest

### Backrest cover

You can adjust the tension of the backrest cover as required.

## Adjusting the backrest cover



1. Remove the backrest cushion (A).
2. Loosen the hook and loop straps (B) on the rear of the backrest cover by simply pulling on them.
3. Tighten or loosen the tapes as required then reattach them.



### WARNING!

#### Risk of tipping

If the bands are set very loose, the tipping point of your wheelchair is changed for the worse.  
– Ensure that the bands are set correctly.

### Backrest height

The height of the backrest can be adjusted. The adjustment must be carried out by the specialist dealer.

### Backrest angle

The angle of the backrest can be adjusted. The adjustment must be carried out by the specialist dealer.

## Backrest bar



### **WARNING!** **Risk of accidents**

The backrest bar is not suited for lifting or carrying the wheelchair with the user sitting in it as it can break.

- The backrest bar may not be used to lift or carry the wheelchair while the user is sitting in it.

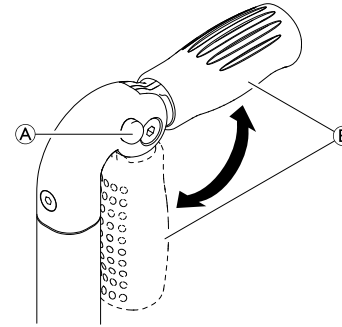
## 3.4 Push handles



### **IMPORTANT!**

- Always check the push handles before using the wheelchair, as to whether the hand grips are secure, cannot be turned and cannot be pulled off.

## Foldable push handles



1. Fully depress button (A) and fold up respectively fold down the push handle (B) until it audibly engages.



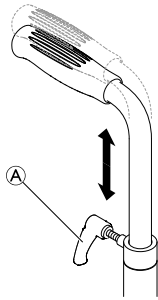
### **CAUTION!**

If not correctly engaged, the push handle could accidentally fold down while pushing the wheelchair.

- Make sure that the push handle is correctly engaged.

## Height adjustable, integrated push handles

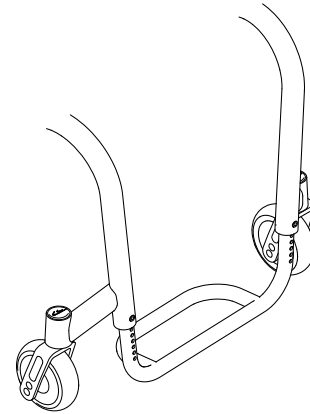
The infinitely height adjustable push handles allow any assistant to adjust the handles to a comfortable level.



1. To set the height of the push handles, loosen the bolt **A**, push the handle to the desired position and tighten the bolt again.

### 3.5 Footrest

The height of the footrest can be adjusted. The adjustment must be carried out by the specialist dealer.



### 3.6 Antitipper

An antitipper prevents the wheelchair from tipping backwards.



#### **WARNING!**

#### **Risk of overturning**

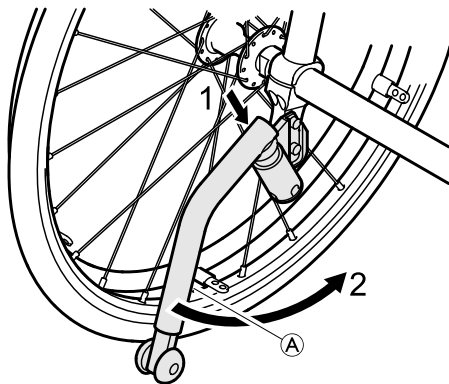
Antitippers that are incorrectly set or no longer working can lead to overturning.

- Always check that the antitipper is working before using the wheelchair and have it set or readjusted by a specialist dealer when required.

**WARNING!**  
**Risk of overturning**

On uneven or soft ground, the antitipper can sink into potholes or directly into the ground, thereby curtailing or eliminating its safety function.

- Only use the antitipper when travelling on even and firm ground.

**Activating the antitipper**

1. Push the antitipper completely downwards against the spring and swivel it backwards through 90° until it engages.

**WARNING!**  
**Risk of tipping**

An activated antitipper can catch when negotiating a step or an edge.  
– Always deactivate the antitipper before driving over a step or kerb.

**Deactivating the antitipper**

1. Push the antitipper completely downwards against the spring and swivel it inwards through 90° until it engages.

**Setting the height**

1. Press the spring pin **A** on the antitipper and push the inner section to the position required. Allow the spring pin to engage in the nearest hole.



If further adjustments of height and/or position are necessary, refer to your specialist dealer.


**3.7 Tires**


The ideal pressure depends on the tire type:


The table below is an indication. In case the tire differs from the list below, check the side of the tire, the maximum pressure is often listed there.

Tire	Max. pressure		
	bar	kPa	psi
Profile tire	7 bar	700 kPa	101 psi
Schwalbe® Marathon Plus	10 bar	1000 kPa	145 psi
Schwalbe® One	10 bar	1000 kPa	145 psi

Tire	Max. pressure		
	10 bar	1000 kPa	145 psi
Schwalbe® Rightrun	10 bar	1000 kPa	145 psi
Solid tire, profile, grey	-	-	-
Solid tire (KIK type), black	-	-	-
Solid, light wheel	-	-	-

 The compatibility of the tires listed above depends on the configuration and/or model of your wheelchair.

 In case of a tire puncture consult a suitable workshop (e.g. bike repair shop, bicycle dealer ...) to have the tube replaced by a skilled person.

 The size of the tire is mentioned on the sidewall of the tire. The change of appropriate tires must be carried out by a specialist dealer.



#### CAUTION!

- The tires pressure needs to be equal in both wheels to avoid decreased driving comfort, to keep the parking brakes working properly and to ease propelling of the wheelchair.

### 3.8 Seat cushion

A suitable cushion is needed to provide an even pressure distribution on the seat.



#### CAUTION!

Adding a cushion to the seat will raise your height above the ground and can affect your stability in all directions. If a cushion is changed it may also change the user's stability. If the thickness of the cushion is changed, a complete set up of the wheelchair need to be done by a specialist dealer.

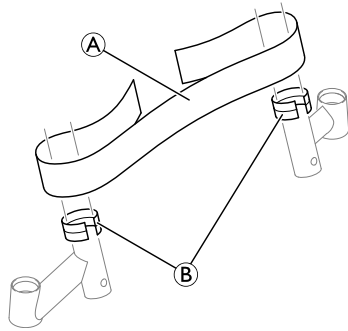


Use a seat cushion with anti-slip underlay or hook fastening tapes to avoid slipping of the seat cushion. A loop fastening tape is pre-attached to the seat cover.

### 3.9 Calf strap

A calf strap can be installed to the wheelchair to provide a better position of the users' legs.





1. Fix and adjust the calf strap **A** around the hook and loop fasteners **B** on both frame parts.

## 4 ACCESSORIES

### 4.1 Posture belt

The wheelchair can be equipped with a posture belt. It prevents the user from sliding downward in the wheelchair or from falling out of the wheelchair. The posture belt is not a positioning device.

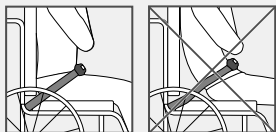


#### WARNING!

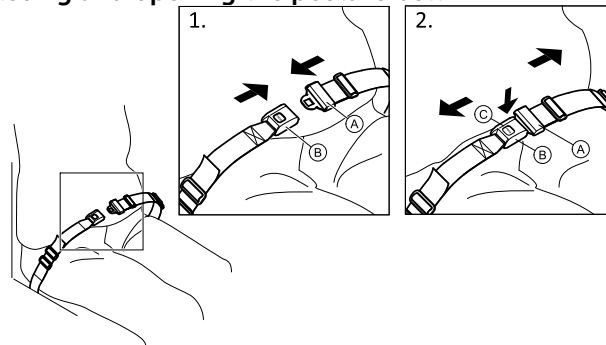
#### Risk of serious injury / strangulation

A loose belt can allow the user to slip down and create a risk of strangulation.

- The posture belt should be mounted by a qualified technician and fitted by the responsible prescriber.
- Always make sure that the posture belt is tightly fitted across the lower pelvis.
- Each time the posture belt is used, check if it fits properly. Changing the seat and/or backrest angle, the cushion and even your clothes influence the fit of the belt.



### Closing and opening the posture belt



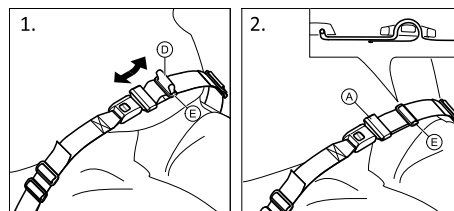
Ensure that you are sitting fully back in the seat and that the pelvis is as upright and symmetrical as possible.

1. To close, push the catch **A** into the buckle clasp **B**.
2. To open, push the PRESS button **C** and pull the catch **A** out of the buckle clasp **B**.

### Adjusting the length



The posture belt has the good length, when there's just sufficient space for a flat hand between body and belt.



1. Shorten or extend the loop ④ as required.
2. Thread loop ④ through catch ① and plastic buckle ⑤ until the loop is flat.

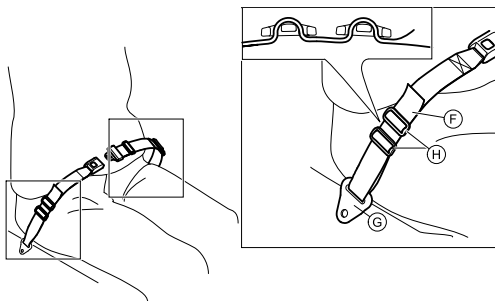
If this adjustment is not sufficient, it might be required to re-fit the posture belt at the fixations.

### Fitting the posture belt at the fixations



#### CAUTION!

- Thread the belt loop through both plastic buckles to avoid the belt from loosening.
- Do the adjustments on both sides equally, so that the buckle clasp remains in a central position.
- Make sure that the belts do not get caught in the spokes of a rear wheel.



1. Thread the loop ⑥ through the fixation on the chair ⑦ and then through BOTH plastic buckles ⑧.

## 4.2 Air pump

The air pump is fitted with a universal valve connection.

1. Remove the dust cap from the valve connection.
2. Push the valve connection onto the open valve on the wheel and pump the wheel up.

## 4.3 Passive illumination

You can attach reflectors to the rear wheels.

---

## 5 SETUP

---

### 5.1 Safety information



**CAUTION!**

**Risk of injury**

- Before using the wheelchair, check its general condition and its main functions, *8.2 Maintenance Schedule, page 33*.

Your specialist dealer will supply your wheelchair ready for use. Your dealer will explain the main functions and ensure that the wheelchair meets your needs and requirements.

Adjustments of the axle position and the front wheel supportors must be carried out by a specialist dealer.

## 6 USING THE WHEELCHAIR

### 6.1 Safety information



**WARNING!**  
**Risk of accidents**

Uneven tire pressure can have a huge effect on handling.

- Check the tire pressure before each journey.



**WARNING!**  
**Risk of falling out of the wheelchair**

When using small front wheels the wheelchair could get stuck at curbs or in floor grooves.

- Make sure that the front wheels are suitable for the surface you are driving on.



**CAUTION!**  
**Risk of crushing**

There may be a very small gap between the rear wheel and the mudguard or the parking brake with the risk that you could trap your fingers.

- Ensure that you always propel your wheelchair using the handrims only.

### Theft and metal detection systems

In seldom cases the materials used in the wheelchair may activate theft and metal detection systems.

### 6.2 Braking during use

Whilst you are moving, you brake by transferring force to the handrim with your hands.



**WARNING!**  
**Risk of overturning**

If you apply the parking brakes while you are moving, the direction of movement can become uncontrollable and the wheelchair may stop suddenly, which can lead to a collision or to you falling out.

- Never apply the parking brakes while you are moving.



**WARNING!**  
**Risk of falling out of the wheelchair**

If the wheelchair is rapidly decelerated by an assistant pulling at the push handles, the user may fall out of the wheelchair.

- Always apply the posture belt if present.
- Make sure your assistant has been trained individually in transferring occupied wheelchairs.



**CAUTION!**

**Risk of burning your hands**

If you brake for a long time, a lot of frictional heat is produced at the handrims (especially Supergripp).

- Wear suitable gloves.

1. Hold the handrims and press evenly with both hands until the wheelchair stops.

### 6.3 Getting in and out of the wheelchair



**WARNING!**

**Risk of overturning**

There is a high risk of overturning during the transfer.

- Only get in and out without assistance if you are physically able to do so.
- When transferring, position yourself as far back as possible in the seat. This will prevent damaged upholstery and the possibility of the wheelchair tipping forward.
- Make sure that both castors are facing straight to the front.



**WARNING!**

**Risk of overturning**

The wheelchair could tip forwards if you stand on the footrest.

- Never stand on the footrest when getting in and out.



**CAUTION!**

If you release or damage the brakes the wheelchair could roll away out of control.

- Do not support yourself on the brakes when getting in and out.



**IMPORTANT!**

The mudguards and armrests could become damaged.

- Never sit on the mudguards or armrests when getting in and out.



1. Propel the wheelchair as near as possible to the seat that you want to move to.
2. Apply the parking brakes.
3. Remove the armrests or move them upwards out of the way.
4. Place your feet on the ground.

5. Hold the wheelchair and, if necessary, also hold a fixed object in the vicinity.
6. Move slowly to chair.

## 6.4 Driving and steering the wheelchair

You drive and steer the wheelchair using the handrims. Before driving without an assistant you must find your wheelchair's tipping point.



### **WARNING!** **Risk of tipping**

The wheelchair can tip backwards if it is not fitted with an antitipper. When finding the tipping point, an assistant must stand immediately behind the wheelchair to catch it if it tips over.

- To prevent tipping, install an antitipper device.



### **WARNING!** **Risk of tipping**

The wheelchair can tip forwards.

- When setting up your wheelchair, test its behavior in terms of tipping forward and adjust your driving style accordingly.

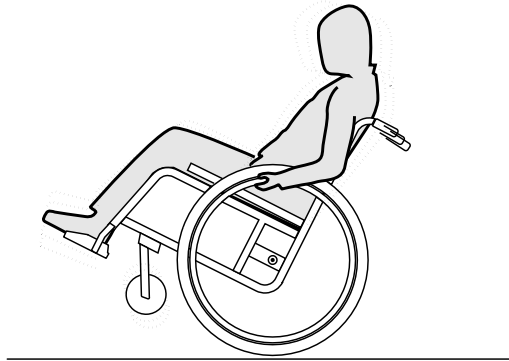


### **CAUTION!**

A heavy load hanging on the backrest can affect the wheelchair's centre of gravity.

- Change your driving style accordingly.

## Finding the tipping point



1. Release the brake.
2. Roll backwards a short distance, grasp both handrims firmly and push forwards with a slight kick.
3. The shift in weight and steering in opposite directions with the handrims will enable you to identify the tipping point.

## 6.5 Negotiating steps and kerbs



### **WARNING!**

#### **Risk of overturning**

When negotiating steps you could lose your balance and tip the wheelchair over.

- Always approach steps and kerbs slowly and carefully.
- Do not go up or down steps that are higher than 25 cm.



### **CAUTION!**

An activated antitipper prevents the wheelchair from tipping backwards.

- Deactivate the antitipper before going up or down steps or kerbs.



## With an assistant



## Going down a step

1. Move the wheelchair right up to the kerb and hold the handrims.
2. The assistant should hold both push handles, place one foot on the tipper aid (if installed) and tilt the wheelchair backwards so that the front wheels lift off the ground.
3. The assistant should then hold the wheelchair in this position, push it carefully down the step and then tilt it forwards until the front wheels are back on the ground.

## Going up a step



### **WARNING!**

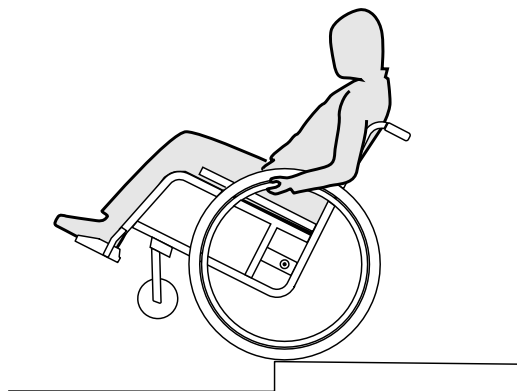
#### **Risk of serious injuries**

Going up steps and kerbs frequently can result in earlier than expected fatigue break of the wheelchair backrest. The user might fall out of the wheelchair.

- Always use a tipper aid when going up steps or kerbs.

1. Move the wheelchair backwards until the rear wheels touch the kerb.
2. The assistant should tilt the wheelchair using both push handles so that the front wheels lift off the ground, then pull the rear wheels over the kerb until the front wheels can be placed back on the ground.

## Without an assistant



### **WARNING!** **Risk of tipping**

When going down a step without an assistant you could tip over backwards if you cannot control your wheelchair.

- First learn how to go down a step with an assistant.
- Learn how to balance on the rear wheels, *6.4 Driving and steering the wheelchair, page 23.*

## Going down a step

1. Move the wheelchair right to the kerb, lift the front wheels and keep the wheelchair balanced.
2. Now slowly roll both rear wheels over the kerb. While doing this, hold the handrims firmly with both hands until the front wheels are back on the ground.

## 6.6 Going up and down stairs



### **WARNING!**

#### **Risk of overturning**

When negotiating stairs you could lose your balance and overturn your wheelchair.

- Always use two assistants when negotiating stairs with more than one step.



1. You can go up and down stairs by taking them one step at a time, as described above. The first assistant should stand behind the wheelchair holding the push handles. The second assistant should hold a solid part of the front frame to steady the wheelchair from the front.

## 6.7 Negotiating ramps and slopes



### **WARNING!**

#### **Risk due to wheelchair being out of control**

When negotiating slopes or gradients your wheelchair could tip backwards, forwards or sideways.

- Always have an assistant behind the wheelchair when approaching long slopes.
- Avoid lateral slopes.
- Avoid slopes of more than 7°.
- Avoid jerking when changing direction on a slope.



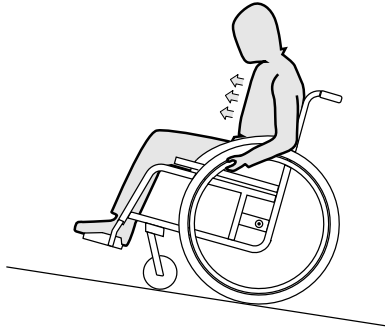
### **CAUTION!**

Your wheelchair could run away even on slightly sloping ground if you do not control it using the handrims.

- Use the parking brakes if your wheelchair is stationary on sloping ground.

### **Going up slopes**

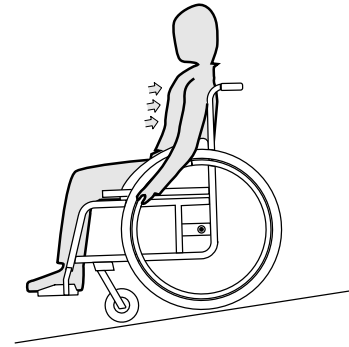
To go up a slope, you must create some momentum, keep up the momentum and control the direction at the same time.



1. Bend your upper body forwards and propel the wheelchair with quick, powerful strokes on both handrims.

### Going down slopes

When going down slopes, it is important to control your direction and particularly your speed.



1. Lean back and carefully allow the handrims to run through your hands. You should be able to stop the wheelchair at any time by gripping the handrims.



### CAUTION!

#### **Risk of burning your hands.**

If you brake for a long time, a lot of frictional heat is produced at the handrims (especially MaxGrepp and Supergripp).

- Wear suitable gloves.

## 6.8 Stability and balance when seated

Some everyday activities and actions require you to lean forwards, sideways or backwards out of the wheelchair. This has a major effect on the wheelchair's stability. To keep your balance at all times, proceed as follows:

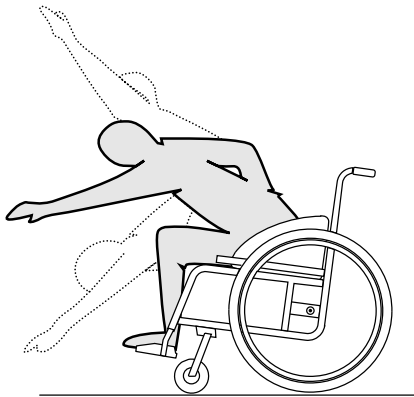
### Leaning forwards



#### **WARNING!** **Risk of falling out**

If you lean forwards out of the wheelchair you could fall out of it.

- Never bend too far forwards and do not shift forwards in your seat to reach an object.
- Do not bend forwards between your knees to pick up something off the floor.



1. Point the front wheels forwards. (To do this, move your wheelchair forwards slightly then back again.)
2. Apply both parking brakes.
3. When leaning forwards your upper body must remain over the front wheels.

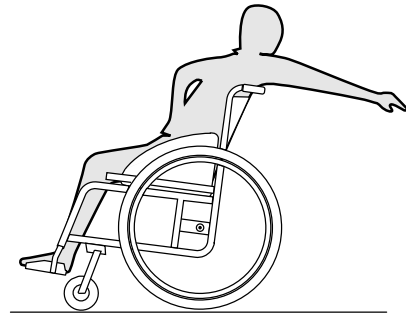
### Reaching backwards



#### **WARNING!** **Risk of falling out**

If you lean too far backwards you could tip your wheelchair over.

- Do not lean out over the backrest.
- Use an antitipper device.



1. Point the front wheels forwards. (To do this, move your wheelchair forwards slightly then back again.)
2. Do not apply the parking brakes.
3. When reaching backwards do not reach so far that you have to change your sitting position.

## 7 TRANSPORT

### 7.1 Safety information



#### **WARNING!**

#### **Risk of injury if wheelchair is not secured during transport**

Your wheelchair is not designed for passenger transport in vehicles. You could suffer serious injury in an accident.

- During transport, sit in a correctly secured seat, not in the wheelchair.



#### **WARNING!**

#### **Risk of injury if the wheelchair is not properly secured**

In the event of an accident, braking manoeuvre, etc. you may suffer serious injuries from flying wheelchair parts.

- Always remove the rear wheels when transporting the wheelchair.
- Firmly secure all wheelchair components in the means of transport to prevent them from coming loose during the journey.



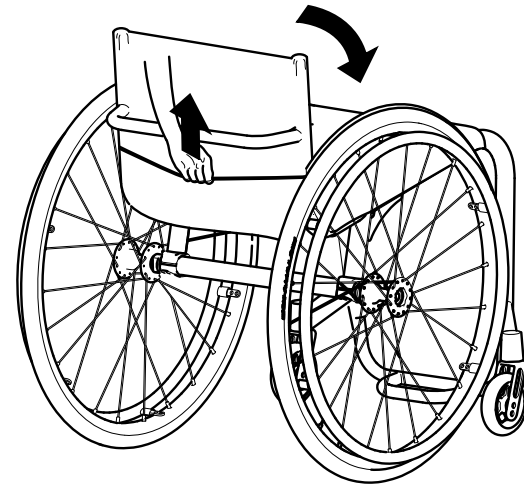
#### **IMPORTANT!**

Excessive wear and abrasion could affect the strength of load-bearing parts.

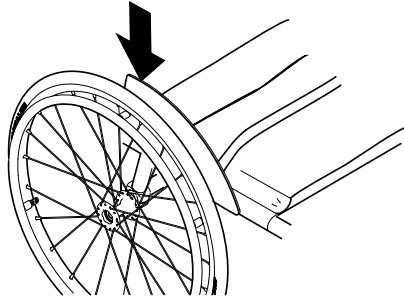
- Do not pull your wheelchair across abrasive surfaces without the wheels fitted (e.g. pulling the frame over tarmac).

### 7.2 Foldable backrest (optional)


#### Folding down/straightening up the back



1. To fold down the back, grip the strap on the back of the wheelchair and pull it upwards.
2. At the same time, push the upper edge of the backrest forwards.



3. Push down both side parts (mudguard or clothes-guard) completely so that the backrest remains fixed in the fold down position. The wheelchair can now be lifted using the stabilizing bar on the backrest.

 If a mudguard is fitted, the rear wheels must be pulled outwards or removed before the mudguard can be lowered completely.

4. To straighten up the backrest, grip the strap on the back of the wheelchair and pull it upwards.
5. At the same time, grip the upper edge of the backrest and straighten it up.

6. Push the side parts down until they engage.
7. Put the rear wheels back on if you removed them.

### 7.3 Removing and installing the rear wheels

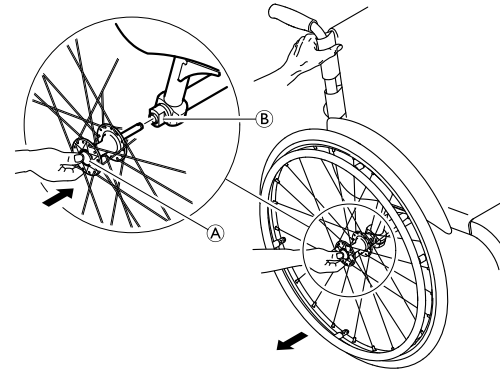


#### WARNING!

#### Risk of overturning

If the removable axle of a rear wheel is not fully engaged, the wheel can become loose during use. This can lead to overturning.

- Always ensure that the removable axles are fully engaged whenever you fit a wheel.



#### Removing the rear wheels

1. Disengage the parking brakes.
2. With one hand, hold the wheelchair upright.

3. With the other, hold the wheel through the external spoke rim around the wheel hub.
4. Using your thumb, press the removable axle button Ⓐ. Keep it pressed and pull the wheel out of the adapter sleeve Ⓑ.

### **Installing the rear wheels**

1. Disengage the parking brakes.
2. With one hand, hold the wheelchair upright.
3. With the other, hold the wheel through the external spoke rim around the wheel hub.
4. Using your thumb, press the removable axle button Ⓐ and hold it down.
5. Push the axle into the adapter sleeve Ⓑ up to the stop.
6. Release the removable axle button and make sure that the wheel is secure.



## 8 MAINTENANCE

### 8.1 Safety information



#### WARNING!

Some materials deteriorate naturally over time. This could result in damage to wheelchair components.

- Your wheelchair should be checked by a specialist dealer at least once a year or if it has not been used for a long period.



Your küschall specialist dealer can provide help in carrying out regular maintenance. To find an authorized specialist dealer near you, contact the küschall distributor for your country (end of this document).

### 8.2 Maintenance Schedule

To ensure safe and reliable operation, carry out the following checks and maintenance regularly or have it carried out by another person.

	weekly	monthly	annually
Check the tire pressure	x		
Check that rear wheels are seated correctly	x		

	weekly	monthly	annually
Check the posture belt	x		
Visual check		x	
Check the front wheels		x	
Check bolts		x	
Check spokes		x	
Check parking brakes		x	
Have wheelchair checked by a specialist dealer			x

#### Check the tire pressure

1. Check the tire pressure.



See section "Tires" for more information.

2. Inflate the tires to the required pressure.
3. Check the tire tread at the same time.
4. If necessary, change the tires.

#### Check that rear wheels are seated correctly

1. Pull on the rear wheel to check that the removable axle is seated correctly. The wheel should not come off.
2. If the rear wheels are not engaged properly, remove any dirt or deposits. If the problem persists, have the removable axles re-fitted by a specialist dealer.

## Check the posture belt

1. Check that the posture belt is adjusted correctly.

### ! IMPORTANT!

- Loose posture belts must be adjusted by a specialist dealer.
- Damaged posture belts must be replaced by a specialist dealer.
- Posture belts must always be installed by a specialist dealer.

## Visual check

1. Examine your wheelchair for loose parts, cracks or other defects.
2. If you find anything, have your wheelchair checked immediately by a specialist dealer.

## Check the front wheels

1. Check that the front wheels turn freely.
2. Remove any dirt or hair from the front wheel bearings.
3. Faulty or worn out front wheels must be replaced by a specialist dealer.

## Check the bolts

Bolts can work loose through constant use.

1. Check that the bolts are tight (on the footrest, seat cover, sides, backrest, frame, seat module).
2. Tighten any loose bolts with the suitable torque. Therefore refer to the service manual, available on the internet at [www.kuschall.com](http://www.kuschall.com).

### ! IMPORTANT!

- Safety nuts and bolts lose their effectiveness as a result of repeated loosening and tightening.
- Safety nuts and bolts must be replaced by a specialist dealer.

## Check the spoke tension

The spokes should not be loose or distorted.

1. Loose spokes must be tightened by a specialist dealer.
2. Broken spokes must be replaced by a specialist dealer.

## Check the parking brakes

1. Check that the parking brakes are positioned correctly. The parking brake is set correctly if the parking brake shoe depresses the tire by a few millimeters when the parking brake is engaged.
2. If you find that the setting is not correct, have the parking brakes correctly set by a specialist dealer.

### ! IMPORTANT!

- The parking brakes must be reset after replacing the rear wheels or changing their position.

## Checking after a heavy collision or blow

### ! IMPORTANT!

- The wheelchair can sustain visibly undetectable damage as a result of a heavy collision or hard blow.
- It is essential to have your wheelchair checked by a specialist dealer after a heavy collision or hard blow.

### Repairing or changing an inner tube

1. Remove the rear wheel and release any air from the inner tube.
2. Lift one tire wall away from the rim using a bicycle tire lever. Do not use sharp objects such as a screwdriver which could damage the inner tube.
3. Pull the inner tube out of the tire.
4. Repair the inner tube using a bicycle repair kit or, if necessary, replace the tube.
5. Inflate the tube slightly until it becomes round.
6. Insert the valve into the valve hole on the rim and place the tube inside the tire (the tube should lie right round the tire with no creases).
7. Lift the tire wall over the edge of the rim. Start close to the valve and use a bicycle tire lever. When doing this, check all the way round to ensure that the inner tube is not trapped between the tire and the rim.
8. Inflate the tire to the maximum operating pressure. Check that no air is escaping from the tire.

### Spare parts



All spare parts may be obtained from a kuschall specialist dealer. A current list of spare parts is available on the internet at [www.kuschall.com](http://www.kuschall.com).

### 8.3 Cleaning

Your wheelchair will serve you well for many years if you clean it regularly.



#### IMPORTANT!

Sand and seawater can damage the bearings and steel parts can rust if the surface is damaged.

- Only expose the wheelchair to sand and seawater for short periods and clean it after every trip to the beach.



#### IMPORTANT!

- Do not use coarse abrasives, aggressive cleaning products or high-pressure cleaners. Never use acids, alkalines or solvents such as acetone or cellulose thinner.
- Always use ordinary household cleaning agents.

1. Clean the cushions and metal parts with a soft, damp cloth.
2. Dry the wheelchair carefully with a cloth after using it in the rain.
3. If the wheelchair is dirty, wipe off the dirt as soon as possible with a damp cloth and dry it carefully.



Regular cleaning will reveal loose or worn parts and enhance the smooth operation of your wheelchair. To operate properly and safely, your wheelchair must be cared for just like any other vehicle. For upholstery that is severely stained or surface finish that is badly damaged, contact an authorized dealer for further information.

### **Cleaning upholstery**

For cleaning upholstery refer to the instructions on the label on the seat, cushion and backrest cover.

### **Cleaning metal surfaces**

Hot water and mild detergent on soft cloth should be used to clean metal surfaces.

1. Wipe down with damp cloth.
2. Dry surface by wiping down with dry cloth.

Car polish and soft wax can be used to remove abrasions and restore gloss.

### **Cleaning plastic surfaces**

Plastic surfaces must be cleaned with soft cloth, mild detergent and hot water.



#### **IMPORTANT!**

- Do not use solvents or kitchen cleaners to clean plastic surfaces.

1. Rinse surface with clean water.
2. Dry surface by wiping down with dry cloth.

## **8.4 Disinfection**

The wheelchair may be disinfected by spraying or wiping with tested, approved disinfectants.



The Robert Koch Institute has a list of currently approved disinfectants at [www.rki.de](http://www.rki.de).

## 9 AFTER USE

### 9.1 Storage

#### ! IMPORTANT!

- Risk of damage to the product
- Do not store the product near heat sources.
  - Never store other items on top of the wheelchair.
  - Store the wheelchair indoors in a dry environment.
  - Refer to temperature limitation in chapter *11.2 Environmental conditions, page 42*.

After long-term storage (more than four months) the wheelchair must be inspected in accordance to chapter *8 Maintenance, page 33*.

### 9.2 Re-use

The wheelchair is suitable for re-use. The following actions should be taken:

- Cleaning and disinfection, *8.3 Cleaning, page 35* and *8.4 Disinfection, page 36* in this manual.
- Inspection, *8.2 Maintenance Schedule, page 33* in this manual.
- The wheelchair should be adapted for the new user in accordance with the service documentation (available from the küschall distributor in your country).

### 9.3 Disposal information

Be environmentally aware and dispose of your wheelchair properly. Disposal is subject to national and local regulations.



For correct disposal, contact your specialist dealer or ask your town or district council about local waste management companies.

---

## 10 TROUBLESHOOTING

---

### 10.1 Safety information

Faults may arise as a result of daily use, adjustments or changing demands on the wheelchair. The table below shows how to identify and repair faults.



#### CAUTION!

- Contact your specialist dealer immediately if you notice a fault with your wheelchair, e.g. a significant change in handling.



#### IMPORTANT!

- Some of the actions listed must be carried out by an authorized specialist dealer. These are indicated. We recommend that *all* adjustments are carried out by a specialist dealer.

## 10.2 Identifying and repairing faults

Fault	Possible cause	Action
The wheelchair does not travel in a straight line	Incorrect tire pressure on one rear wheel	Correct tire pressure, ® 3.7 Tires, page 15
	One or more spokes broken	Replace faulty spoke(s), ® specialist dealer
	Spokes tightened unevenly	Tighten loose spokes, ® specialist dealer
	Front wheel supporter is not aligned correctly	Correct position and alignment of front wheel supporter, ® specialist dealer
	Front wheel bearings are dirty or damaged	Clean or replace the bearings, ® specialist dealer
	Rear wheels are off track	Change track, ® specialist dealer
	Front wheels not adjusted to same height	Position the front wheels such that they touch the floor at the same time, ® specialist dealer
The wheelchair tips backwards too easily	Rear wheels are mounted too far forwards	Mount the rear wheels further back, ® specialist dealer
	Back angle too large	Reduce the backrest angle, ® specialist dealer
	Frame geometry does not meet specifications	Mount the rear wheels further back, ® specialist dealer
Removable axles cannot be inserted correctly	Removable axles dirty	Clean removable axles
	Removable axles misaligned	Adjust removable axles, ® specialist dealer
The parking brakes are gripping poorly or asymmetrically	Incorrect tire pressure in one or both rear tires	Correct tire pressure, ® 3.7 Tires, page 15
	Parking brake setting incorrect	Correct the parking brake setting, ® specialist dealer

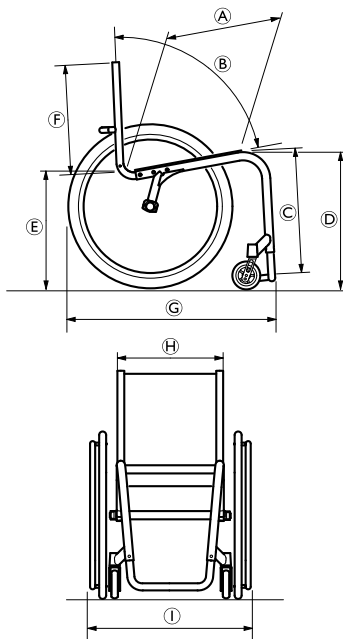
<b>Fault</b>	<b>Possible cause</b>	<b>Action</b>
Rolling resistance is very high	Tire pressure in rear tires is too low Tire is punctured	Correct tire pressure or replace the tube inside the tire, ® <i>3.7 Tires, page 15</i>
	Rear wheels not parallel	Ensure the rear wheels are parallel, ® specialist dealer
The front wheels wobble when moving fast	Too little tension in front wheel bearing block	Tighten the nut on the bearing block axle slightly, ® specialist dealer
	Front wheel has worn smooth	Change front wheel, ® specialist dealer
The front wheel is stiff or stuck	Bearings are dirty or faulty	Clean or replace the bearings, ® specialist dealer



## 11 TECHNICAL DATA

### 11.1 Dimensions and weight

All dimension an weight specifications refer to a seat width of 400 mm, seat depth of 410 mm in the lightest configuration of the wheelchair. Dimension an weight may alter according to different configurations.



Ⓐ	Seat depth	385 – 485 mm, in increments of 25 mm
Ⓑ	Backrest angle	74°/78°/82°/86°/90°
Ⓒ	Knee-to-heel length	350 – 500 mm, in increments of 10 mm
Ⓓ	Seat height front	450 – 530 mm, in increments of 10 mm
Ⓔ	Seat height rear	400 – 480 mm, in increments of 10 mm
Ⓕ	Backrest height	270 – 420 mm, in increments of 15 mm
Ⓖ	Total length	75°: approx. 800 mm 90°: approx. 730 mm
Ⓗ	Seat width	340 – 440 mm, in increments of 20 mm
Ⓘ	Total width	Seat width + 170 mm
	Total weight	approx. 6,8 kg
	Transport weight (without rear wheels)	approx. 4,3 kg
	Maximum user weight	100 kg
	Center of gravity	80 – 140 mm, in increments of 15 mm
	Reversing width	920 – 1230 mm
	Max. safe slope	7°

## 11.2 Environmental conditions

Do not expose the wheelchair to temperatures below -20 °C or above 40 °C.

## 11.3 Materials

The components used to manufacture küschall wheelchairs consist of following materials:

Frame tubes	Aluminum
Backrest tubes	Aluminum
Axle tube	Carbon Fiber
Seat cover / Backrest cover	PA / PE / PVC
Push handle	Steel / Aluminum / TPE
Clothes guard / Mudguard	Carbon Fiber
Front wheel forks	Aluminum
Footrest tube	Aluminum / Titanium
Footplate	Carbon Fiber
Supporting parts / Attachments	Steel / Aluminum
Screws and bolts	Steel

All components have either a protective coating or are corrosion resistant.

# CONTENIDO

Este manual DEBE ser entregado al usuario final. ANTES de usar este producto lea este manual y guárdelo para futuras referencias.

<b>1</b>	<b>Generalidades</b>	<b>45</b>
1.1	Introducción	45
1.2	Símbolos en este manual	45
1.3	Información sobre la garantía	46
1.4	Cumplimiento	46
1.4.1	Normas específicas del producto	46
1.5	Uso previsto	46
1.6	Vida útil	46
1.7	Protección de la propiedad intelectual	47
1.8	Limitación de responsabilidad	47
<b>2</b>	<b>Seguridad</b>	<b>48</b>
2.1	Información sobre seguridad	48
2.2	Dispositivos de seguridad	49
2.3	Etiquetas y símbolos en el producto	49
<b>3</b>	<b>Estructura y funcionamiento</b>	<b>51</b>
3.1	Vista global	51
3.2	Frenos de estacionamiento	52
3.3	Respaldo	53
3.4	Empuñaduras	54
3.5	Reposapiés	55
3.6	Dispositivo antivuelco	55
3.7	Ruedas	56
3.8	Cojín del asiento	57
3.9	Correa para la pantorrilla	57
<b>4</b>	<b>Accesorios</b>	<b>59</b>
4.1	Cinturón postural	59
4.2	Bomba de inflar	60
4.3	Iluminación pasiva	60
<b>5</b>	<b>Instalación</b>	<b>61</b>
5.1	Información sobre seguridad	61
<b>6</b>	<b>Conducción de la silla de ruedas</b>	<b>62</b>
6.1	Información sobre seguridad	62
6.2	Frenado durante el uso	63
6.3	Subida y bajada de la silla de ruedas	63
6.4	Desplazamiento y conducción de la silla de ruedas	65
6.5	Desplazamiento con escalones y descansillos	66
6.6	Bajar escaleras	68
6.7	Conducción sobre rampas y pendientes	69
6.8	Estabilidad y equilibrio al estar sentado	70
<b>7</b>	<b>Transporte</b>	<b>72</b>
7.1	Información sobre seguridad	72
7.2	Respaldo abatible (opcional)	72
7.3	Desmontaje y colocación de las ruedas traseras	73
<b>8</b>	<b>Mantenimiento</b>	<b>75</b>
8.1	Información sobre seguridad	75
8.2	Programa de mantenimiento	75
8.3	Limpieza	78
8.4	Desinfección	79
<b>9</b>	<b>Después del uso</b>	<b>80</b>
9.1	Almacenamiento	80
9.2	Reutilización	80
9.3	Información sobre la eliminación	80
<b>10</b>	<b>Solución de problemas</b>	<b>81</b>
10.1	Información sobre seguridad	81

10.2	Identificación y reparación de fallos . . . . .	82
<b>11</b>	<b>Datos Técnicos . . . . .</b>	<b>84</b>
11.1	Dimensiones y peso . . . . .	84
11.2	Condiciones ambientales . . . . .	85
11.3	Materiales . . . . .	85

# 1 GENERALIDADES

## 1.1 Introducción

Este manual del usuario contiene información importante sobre el manejo del producto. Para garantizar la seguridad cuando utilice el producto, lea detenidamente el manual del usuario y siga las instrucciones de seguridad.

Tenga en cuenta que puede haber secciones de este manual del usuario que no sean relevantes para su producto, ya que este manual se aplica a todos los modelos disponibles (en la fecha de impresión). Si no se indica lo contrario, cada sección de este manual hace referencia a todos los modelos del producto.

Los modelos y las configuraciones disponibles en su país pueden encontrarse en las listas de precios específicas del país.

Invacare se reserva el derecho de modificar las especificaciones del producto sin previo aviso.

Antes de leer este manual, asegúrese de contar con la versión más reciente. Podrá encontrarla en formato PDF en el sitio web de Invacare.

Si la versión impresa del manual del usuario tiene un tamaño de letra que le resulta difícil de leer, podrá descargarlo en formato PDF en el sitio web. Podrá ampliar el PDF en pantalla a un tamaño de letra que le resulte más cómodo.

Para obtener más información sobre el producto, por ejemplo, avisos de seguridad sobre el producto y retiradas

del producto, póngase en contacto con su representante de Invacare. Consulte las direcciones al final de este documento.

## 1.2 Símbolos en este manual

En este manual, las advertencias están indicadas con símbolos. A los símbolos de las advertencias se les añade un encabezado que indica la gravedad del peligro.



### ADVERTENCIA

Indica una situación peligrosa que, si no se evita, podría tener como consecuencia la muerte o lesiones graves.



### PRECAUCIÓN

Indica una situación peligrosa que, si no se evita, podría tener como consecuencia lesiones menos graves.



### IMPORTANTE

Indica una situación peligrosa que, si no se evita, podría tener como consecuencia daños a la propiedad.



### Consejos y recomendaciones

Proporciona consejos útiles, recomendaciones e información para un uso eficiente y sin problemas.



Este producto cumple con la Directiva 93/42/CEE en lo concerniente a productos sanitarios. La fecha de lanzamiento de este producto figura en la declaración de conformidad CE.



Fabricante del producto.

### 1.3 Información sobre la garantía

Ofrecemos la garantía del fabricante del producto conforme a nuestras Condiciones generales y Condiciones comerciales en los distintos países.

Las reclamaciones relativas a la garantía solo pueden efectuarse a través del distribuidor en el que se adquirió el producto.

### 1.4 Cumplimiento

La calidad es fundamental para el funcionamiento de la empresa, que trabaja conforme a las normativas ISO 13485.

Este producto lleva la marca CE correspondiente, en cumplimiento con la Directiva sobre dispositivos médicos 93/42/CEE Clase 1.

Trabajamos continuamente para garantizar que se reduzca al mínimo el impacto medioambiental de la empresa, tanto a nivel local como global.

Solo utilizamos materiales y componentes que cumplen con las directivas REACH.

### 1.4.1 Normas específicas del producto

Se ha probado la silla de ruedas según la norma EN 12183. Entre las evaluaciones se incluye una prueba de inflamabilidad.

Para obtener más información sobre las normativas locales, póngase en contacto con su representante local de Invacare. Consulte las direcciones al final de este documento.

### 1.5 Uso previsto

Esta silla de ruedas activa está diseñada para proporcionar movilidad a personas limitadas a una posición sentada.

#### Indicaciones

Las personas discapacitadas de 12 años en adelante (adolescentes y adultos) con dificultades de movilidad y limitadas a una posición sentada.

#### Contraindicaciones

No existen contraindicaciones.



Esta silla de ruedas activa debe prescribirse y ajustarse a su estado de salud específico.

### 1.6 Vida útil

La vida útil prevista es de cinco años, siempre y cuando el producto se utilice diariamente y conforme a las instrucciones de seguridad y las instrucciones de mantenimiento, y se respete el uso previsto, tal y como se indica en el presente manual.

## **1.7 Protección de la propiedad intelectual**

Este manual del usuario está protegido por derechos de propiedad intelectual. Su reimpresión, reproducción o transmisión a terceros, ya sea total o parcial, no se permite sin el consentimiento previo por escrito del fabricante.

## **1.8 Limitación de responsabilidad**

Invacare no se hace responsable de los daños surgidos por:

- Incumplimiento del manual del usuario
- Uso incorrecto
- Desgaste natural
- Montaje o instalación incorrectos por parte del comprador o de terceros
- Modificaciones técnicas
- Modificaciones no autorizadas y/o uso de recambios inadecuados

## 2 SEGURIDAD

### 2.1 Información sobre seguridad

En esta sección se incluye información importante sobre seguridad para la protección del usuario de la silla de ruedas y su cuidador, así como para el uso seguro y sin problemas de la silla de ruedas.



#### ¡ADVERTENCIA!

##### Riesgo de accidentes y lesiones graves

Se pueden producir accidentes con lesiones graves si la silla de ruedas no está correctamente ajustada.

- Los ajustes de la silla de ruedas siempre deberá realizarlos un distribuidor especialista.



#### ¡ADVERTENCIA!

##### Riesgos debidos a un estilo de conducción inadecuado para las condiciones

Existe el riesgo de que la silla de ruedas patine en suelos húmedos, en gravilla o en terrenos irregulares.

- Adapte siempre la velocidad y el estilo de conducción a las condiciones (climatología, tipo de superficie, habilidad individual, etc.).



#### ¡ADVERTENCIA!

##### Riesgo de lesiones

En caso de colisión, podría sufrir lesiones en partes del cuerpo que sobresalen de la silla de ruedas (por ejemplo, los pies o las manos).

- En caso de colisión inminente, frene la silla.
- No conduzca nunca hacia un objeto de frente.
- Conduzca con cuidado por espacios estrechos.



#### ¡ADVERTENCIA!

##### Riesgos provocados por una silla de ruedas fuera de control

A velocidades altas, podría perder el control de la silla de ruedas y volcar.

- Nunca supere una velocidad de 7 km/h.
- Evite las colisiones en general.



#### ¡PRECAUCIÓN!

##### Riesgo de quemaduras

Los componentes de la silla de ruedas pueden calentarse si se exponen a fuentes externas de calor.

- No exponga la silla de ruedas a la luz solar intensa antes de utilizarla.
- Antes de utilizarla, compruebe la temperatura de todos los componentes que están en contacto con la piel.



**¡PRECAUCIÓN!****Riesgo de atrapamiento de los dedos**

Siempre existe el riesgo de que se le queden atrapados los dedos o los brazos entre las partes móviles de la silla de ruedas.

- Al accionar los mecanismos de plegado o inserción de las piezas en movimiento, como el eje extraíble de la rueda trasera, o bien al plegar el respaldo o el dispositivo antivuelco, existe riesgo de atrapamiento.

**2.2 Dispositivos de seguridad****¡ADVERTENCIA!****Peligro de accidente**

Unos dispositivos de seguridad (frenos, dispositivos antivuelco) incorrectamente ajustados o que no funcionen pueden provocar accidentes.

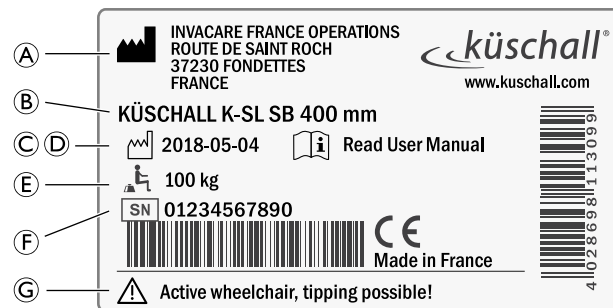
- Antes de cada uso de la silla de ruedas, compruebe el funcionamiento de los dispositivos de seguridad y encargue su control periódicamente a un distribuidor especializado.

Las funciones de los dispositivos de seguridad se describen en el capítulo 3 *Estructura y funcionamiento*, página 51.

**2.3 Etiquetas y símbolos en el producto****Etiqueta de identificación**

La etiqueta de identificación se fija en el chasis de la silla de ruedas y le ofrece la siguiente información:

1583553-D



Ⓐ	Dirección del fabricante
Ⓑ	Descripción del producto
Ⓒ	Fecha de fabricación
Ⓓ	Instrucción que indica que se lea el manual del usuario
Ⓔ	Peso del usuario máximo
Ⓕ	Número de serie
Ⓖ	Advertencia de que se trata de una silla de ruedas activa y que es posible volcar

**Símbolo del gancho de mosquetón****Símbolo de advertencia**

Esta silla de ruedas no está configurada para el transporte de pasajeros en un vehículo a motor.

## Etiqueta de advertencia del dispositivo antivuelco

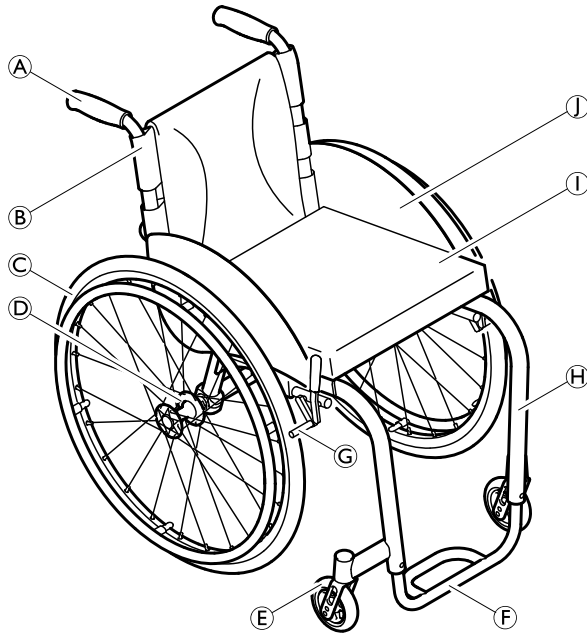


**ADVERTENCIA: Lea el manual del usuario**

Siga las instrucciones del manual del usuario antes de utilizar el dispositivo antivuelco.

## 3 ESTRUCTURA Y FUNCIONAMIENTO

### 3.1 Vista global



(A)	Empuñadura
(B)	Respaldo
(C)	Rueda trasera con aro de propulsión
(D)	Eje de desmontaje rápido
(E)	Horquilla de la rueda delantera con rueda
(F)	Reposapiés abatibles
(G)	Freno de estacionamiento
(H)	Chasis
(I)	Asiento / Cojín de asiento
(J)	Protector de ropa

#### Breve descripción

La KSL es una silla de ruedas de chasis rígido.



El equipamiento real de su silla de ruedas puede diferir del aquí presentado, ya que cada silla de ruedas se confecciona de forma especial según los datos del pedido.

## 3.2 Frenos de estacionamiento

Los frenos de estacionamiento se utilizan para inmovilizar la silla de ruedas cuando esta se ha detenido, para evitar que ruede.



### ¡ADVERTENCIA!

#### Riesgo de caída si se frena bruscamente

Si acciona los frenos de estacionamiento con la silla en movimiento, puede perder el control sobre la dirección del movimiento y es posible que la silla de ruedas se detenga bruscamente, lo cual puede provocar una colisión o una caída.

- No accione nunca los frenos de estacionamiento mientras la silla esté en movimiento.



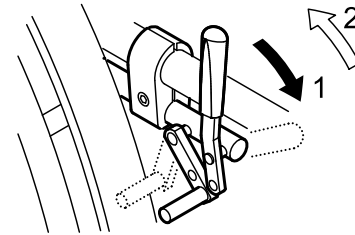
### ¡ADVERTENCIA!

#### Riesgo de caída

Los frenos de estacionamiento no funcionarán correctamente, a menos que haya aire suficiente en los neumáticos.

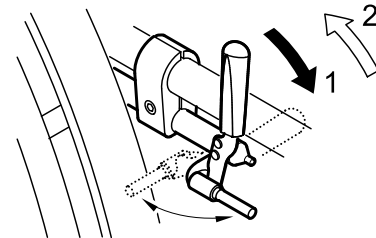
- Asegúrese de que los neumáticos tengan la presión correcta, 3.7 Ruedas, página 56.

## Freno estándar



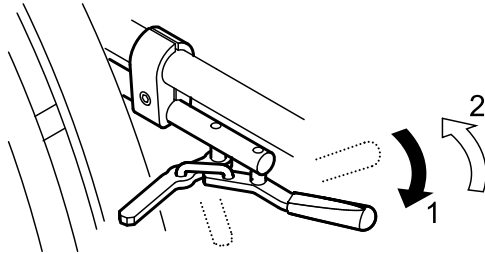
1. Para accionar el freno, empuje la palanca del freno hacia delante tanto como sea posible.
2. Para desacoplar el freno, tire de la palanca del freno hacia atrás.

## Freno performance



1. Para accionar el freno, empuje la palanca del freno hacia delante tanto como sea posible.
2. Para desacoplar el freno, tire de la palanca del freno hacia atrás.

### Freno activo



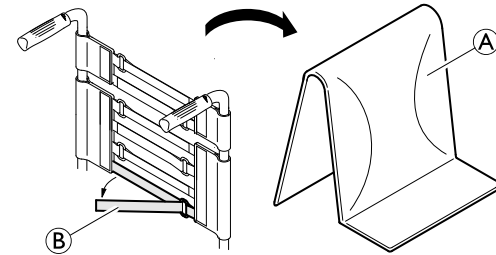
1. Para accionar el freno, tire de la palanca del freno hacia delante junto o entre las rodillas tanto como sea posible.
2. Para desacoplar el freno, empuje la palanca del freno hacia atrás junto o entre las rodillas.

## 3.3 Respaldo

### Funda del respaldo

Puede ajustar la tensión de la funda del respaldo cuanto sea necesario.

### Ajuste de la funda del respaldo



1. Quite el cojín del respaldo (A).
2. Afloje las cinchas de velcro (B) en la parte posterior de la funda del respaldo, simplemente tirando de ellas.
3. Apriete o afloje las cintas según se requiera y, a continuación, vuelva a fijarlas.



#### ¡ADVERTENCIA!

#### Riesgo de volcado

Si las bandas se aflojan mucho, el punto de volcado de la silla de ruedas empeora.

- Asegúrese de que las bandas estén colocadas correctamente.

### Altura del respaldo

La altura del respaldo se puede ajustar. Este ajuste deberá realizarlo un distribuidor especialista.

### Ángulo del respaldo

El ángulo del respaldo se puede ajustar. Este ajuste deberá realizarlo un distribuidor especialista.

## Barra del respaldo



### ¡ADVERTENCIA! Riesgo de accidentes

La barra del respaldo no está diseñada para levantar o arrastrar la silla de ruedas mientras el usuario está sentado, ya que podría romperse.

- No se puede utilizar la barra del respaldo para levantar o arrastrar la silla de ruedas cuando el usuario está sentado.

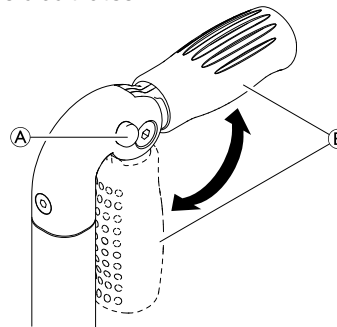
## 3.4 Empuñaduras



### ¡IMPORTANTE

- Compruebe siempre las empuñaduras antes de usar la silla de ruedas para verificar que los asideros estén bien sujetos y no puedan girar ni salirse.

## Empuñaduras abatibles



1. Pulse hasta el fondo el botón **A** y levante la empuñadura abatida **B** hasta que encaje de forma audible.



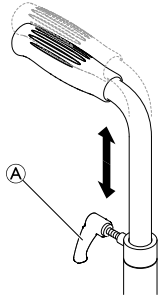
### ¡PRECAUCIÓN!

Si la empuñadura no encaja correctamente, puede que se pliegue de forma accidental al empujar la silla de ruedas.

- Asegúrese de que la empuñadura encaje correctamente.

## Empuñaduras integradas con ajuste en altura

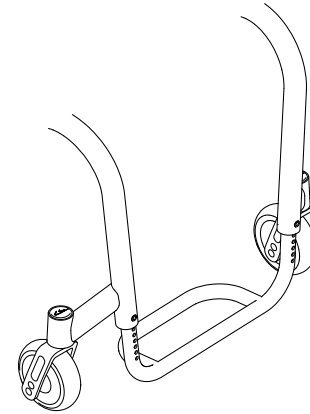
Las empuñaduras con ajuste en altura infinito permiten a cualquier auxiliar ajustar las empuñaduras a un nivel que le resulte cómodo.



1. Para ajustar la altura de las empuñaduras, afloje el tornillo **A**, empuje la empuñadura hasta la posición que desee y vuelva a apretar el tornillo.

### 3.5 Reposapiés

La altura del reposapiés se puede ajustar. Este ajuste debe realizarlo un distribuidor especialista.



### 3.6 Dispositivo antivuelco

Un dispositivo antivuelco evita que la silla de ruedas se vuelque hacia atrás.



#### **¡ADVERTENCIA! Riesgo de caída**

Si los dispositivos antivuelco están mal ajustados o han dejado de funcionar, puede producirse una caída.

- Compruebe siempre que el dispositivo antivuelco funcione antes de utilizar la silla de ruedas y solicite a un distribuidor especialista

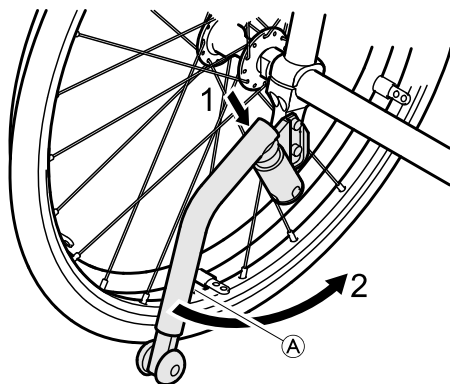
que lo ajuste o lo vuelva a ajustar cuando sea necesario.



### ¡ADVERTENCIA! Riesgo de caída

En terrenos irregulares o inestables, el dispositivo antivuelco puede hundirse en baches o directamente en el suelo, lo cual reduce o anula su función de seguridad.

- Utilice el dispositivo antivuelco solamente en terrenos llanos y firmes.



### Activación del dispositivo antivuelco

1. Empuje el dispositivo antivuelco hacia abajo del todo contra el muelle y gírelo hacia atrás 90° hasta que encaje.



### ¡ADVERTENCIA! Riesgo de volcado

El dispositivo antivuelco activado puede bloquearse al salvar un escalón o un borde.  
– Desactive siempre el dispositivo antivuelco antes de pasar sobre un escalón o un bordillo.

### Desactivación del dispositivo antivuelco

1. Empuje el dispositivo antivuelco hacia abajo del todo contra el muelle y gírelo hacia adentro 90° hasta que encaje.

### Ajuste de la altura

1. Presione el pasador con muelle (A) en el dispositivo antivuelco y empuje la sección interior hasta la posición necesaria. Deje que el pasador con muelle se acople en el orificio más cercano.



Si es necesario realizar ajustes adicionales de la altura o la posición, consulte a su distribuidor especialista.


## 3.7 Ruedas


La presión idónea depende del tipo de rueda:


La tabla siguiente es orientativa. Si la rueda es distinta de las de la lista, compruebe la información que figura en el lateral de la rueda. Normalmente, ahí se indica la presión máxima.



Rueda	Presión máx.		
	7 bares	700 kPa	101 psi
Rueda de perfil	7 bares	700 kPa	101 psi
Schwalbe® Marathon Plus	10 bares	1000 kPa	145 psi
Schwalbe® One	10 bares	1000 kPa	145 psi
Schwalbe® Rightrun	10 bares	1000 kPa	145 psi
Rueda compacta, perfil, gris	-	-	-
Rueda compacta (tipo KIK), negra	-	-	-
Rueda ligera, compacta	-	-	-

 La compatibilidad de las ruedas indicadas anteriormente depende de la configuración o del modelo de la silla de ruedas.

 En caso de sufrir un pinchazo en una rueda, acuda a un taller idóneo (por ejemplo, un establecimiento de reparaciones de bicicletas, distribuidor de bicicletas, etc.) para que una persona cualificada sustituya el tubo.

 El tamaño de la rueda se menciona en el lateral de esta. El cambio de las ruedas adecuadas lo deberá realizar un distribuidor especialista.



### ¡PRECAUCIÓN!

– La presión de los neumáticos deberá ser igual en ambas ruedas para evitar que se reduzca la comodidad de la conducción, para que el freno de estacionamiento siga funcionando correctamente y para lograr una propulsión fluida de la silla de ruedas.

## 3.8 Cojín del asiento

Se requiere un cojín adecuado para proporcionar una distribución de la presión uniforme en el asiento.



### ¡PRECAUCIÓN!

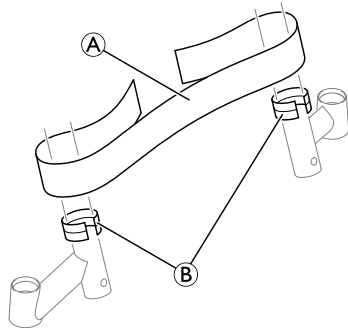
Si añade un cojín al asiento, elevará su altura con respecto al suelo, lo que puede afectar a su estabilidad en todas las direcciones. Si se cambia un cojín, también podría variar la estabilidad del usuario. Si se cambia el espesor del cojín, un distribuidor especialista deberá realizar una configuración completa de la silla de ruedas.



Utilice un cojín con un tejido base antideslizante o enganche unas cintas de sujeción para evitar que el cojín del asiento se deslice. La funda del asiento lleva pegada una cinta de velcro.

## 3.9 Correa para la pantorrilla

Se puede instalar una correa para la pantorrilla en la silla de ruedas para mejorar la posición de las piernas de los usuarios.



1. Fije y ajuste la correa para la pantorrilla **A** cerrando sus cinchas de velcro **B** en ambas partes del chasis.

## 4 ACCESORIOS

### 4.1 Cinturón postural

La silla de ruedas puede equiparse con un cinturón postural. Este cinturón evitará que el usuario se deslice hacia abajo o se caiga de la silla de ruedas. El cinturón postural no es un dispositivo de posicionamiento.

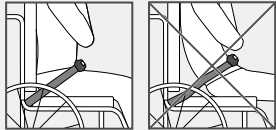


#### ¡ADVERTENCIA!

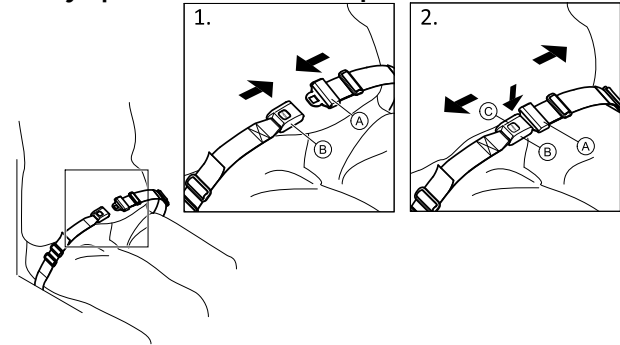
#### Riesgo de lesión grave/estrangulación

Si el cinturón queda suelto, es posible que el usuario se deslice hacia abajo y se genere un riesgo de estrangulación.

- Un técnico cualificado deberá instalar el cinturón postural y la persona que lo prescribe deberá ajustarlo.
- Asegúrese siempre de que el cinturón postural esté bien ajustado en la parte inferior de la pelvis.
- Cada vez que utilice el cinturón postural, compruebe que esté correctamente ajustado. Si se cambia el ángulo del respaldo o del asiento, el cojín o incluso la ropa, se verá afectado el ajuste del cinturón.



### Cierre y apertura del cinturón postural



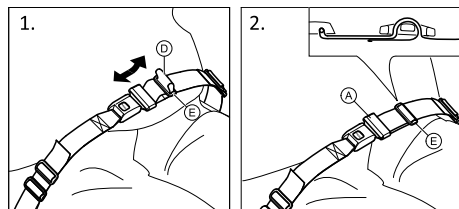
Procure sentarse con la espalda completamente apoyada en el asiento y con la pelvis en una posición lo más vertical y simétrica posible.

1. Para cerrarlo, inserte el cierre (A) en la hebilla (B).
2. Para abrirlo, pulse el botón PRESS (C) y tire del cierre (A) para sacarlo de la hebilla (B).

### Ajuste de la longitud



El cinturón postural tendrá la longitud adecuada si se deja un espacio suficiente para que quepa la palma de la mano entre el cuerpo y el cinturón.



1. Acorte o alargue el cinturón ① según sea necesario.
2. Pase el cinturón ① por el cierre ② y la hebilla de plástico ③ hasta que quede ajustado.

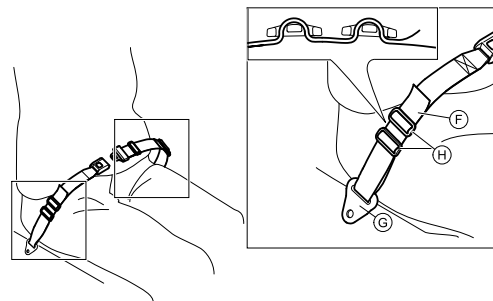
Si este ajuste no es suficiente, es posible que sea necesario volver a ajustar el cinturón postural en las fijaciones.

### Ajuste del cinturón postural en las fijaciones



#### ¡PRECAUCIÓN!

- Pase el cinturón por las hebillas de plástico para evitar que quede suelto.
- Realice el ajuste en ambos lados por igual, de tal forma que la hebilla quede en la posición central.
- Asegúrese de que el cinturón no quede atrapado en los radios de la rueda trasera.



1. Pase el cinturón ④ por la fijación de la silla ⑤ y, a continuación, por AMBAS hebillas de plástico ⑥.

### 4.2 Bomba de inflar

La bomba de inflar se suministra con un racor de válvula universal.

1. Levante la tapa antipolvo del racor de válvula.
2. Presione el racor en la válvula abierta de la rueda e infla con la bomba.

### 4.3 Iluminación pasiva

Puede fijar reflectores a las ruedas traseras.

---

## 5 INSTALACIÓN

---

### 5.1 Información sobre seguridad



**¡PRECAUCIÓN!**  
**Riesgo de lesiones**

- Antes de usar la silla de ruedas, compruebe su estado general y sus funciones principales, *8.2 Programa de mantenimiento, página 75*.

Su distribuidor especialista le suministrará la silla de ruedas lista para usar. Su distribuidor le explicará las funciones principales y se asegurará de que la silla de ruedas cubra sus necesidades y cumpla sus requisitos.

Solamente un distribuidor especialista podrá realizar los ajustes de la posición del eje y de los apoyos de las ruedas delanteras.

## 6 CONDUCCIÓN DE LA SILLA DE RUEDAS

### 6.1 Información sobre seguridad



#### ¡ADVERTENCIA!

##### Riesgo de accidentes

Una presión de los neumáticos no uniforme puede afectar en gran medida al manejo.

- Compruebe la presión de los neumáticos antes de cada trayecto.



#### ¡ADVERTENCIA!

##### Riesgo de caída de la silla de ruedas

Si se utilizan unas ruedas delanteras pequeñas, la silla de ruedas podría quedarse atascada en los bordillos o las grietas del suelo.

- Asegúrese de que las ruedas delanteras sean las idóneas para la superficie en la que vaya a utilizar la silla de ruedas.



#### ¡PRECAUCIÓN!

##### Riesgo de aplastamiento

Puede haber un hueco muy pequeño entre la rueda trasera y el guardabarros o el freno de estacionamiento, lo que supone un riesgo de atraparse los dedos.

- Procure impulsar la silla de ruedas únicamente con los aros de propulsión.

En muy raras ocasiones, los materiales de la silla de ruedas pueden activar sistemas antirrobo y de detección de metales.

### Sistemas antirrobo y de detección de metales

## 6.2 Frenado durante el uso

Mientras se traslada, puede frenar transmitiendo fuerza al aro de empuje con sus manos.



### ¡ADVERTENCIA! Riesgo de caída

Si acciona los frenos de estacionamiento con la silla en movimiento, puede perder el control sobre la dirección del movimiento y es posible que la silla de ruedas se detenga bruscamente, lo cual puede provocar una colisión o una caída.

- No accione nunca los frenos de estacionamiento mientras la silla esté en movimiento.



### ¡ADVERTENCIA! Riesgo de caída de la silla de ruedas

Si el auxiliar que tira de las empuñaduras de la silla de ruedas la desacelera rápidamente, el usuario podría caer de la silla de ruedas.

- En caso de que disponga de un cinturón postural, colóquelo siempre.
- Asegúrese de que el auxiliar haya recibido formación individual en el traslado de sillas de ruedas ocupadas.



### ¡PRECAUCIÓN!

#### Riesgo de quemaduras en las manos

Si frena durante mucho tiempo, se genera mucho calor de fricción en los aros de empuje (sobre todo con la marca Supergripp).

- Use guantes adecuados.

1. Sujete los aros de empuje y presione uniformemente con ambas manos hasta que se detenga la silla de ruedas.

## 6.3 Subida y bajada de la silla de ruedas



### ¡ADVERTENCIA!

#### Riesgo de caída

Existe un gran riesgo de caída durante el traslado.

- Siéntese y levántese de la silla sin ayuda solo si es físicamente capaz de hacerlo.
- En los traslados, colóquese lo más atrás posible en el asiento. De esta forma se evitará que se dañe la tapicería y la posibilidad de que la silla de ruedas vuelque hacia delante.
- Asegúrese de que ambas ruedas giratorias estén situadas en posición recta y hacia delante.



### ¡ADVERTENCIA!

#### Riesgo de caída

La silla de ruedas podría volcar hacia delante si se pone de pie sobre los reposapiés.

- No se ponga nunca de pie sobre los reposapiés al sentarse y levantarse de la silla.



### ¡PRECAUCIÓN!

Si suelta o daña los frenos, la silla de ruedas podría rodar de manera descontrolada.

- No se apoye sobre los frenos al sentarse y levantarse de la silla.



### ¡IMPORTANTE

Los guardabarros y reposabrazos podrían sufrir daños.

- No se siente nunca sobre los guardabarros o reposabrazos al sentarse y levantarse de la silla.



1. Acerque la silla de ruedas lo más cerca posible del asiento al que quiera desplazarse.
2. Accione los frenos de estacionamiento.
3. Extraiga los reposabrazos o súbalos para apartarlos.
4. Ponga los pies en el suelo.
5. Sujete la silla de ruedas y, si es necesario, sujétese también a un objeto fijo de las inmediaciones.
6. Muévase con lentitud hacia la silla.



## 6.4 Desplazamiento y conducción de la silla de ruedas

Debe empujar la silla de ruedas con los aros de empuje. Antes de desplazarse sin la ayuda de un auxiliar, debe hallar el punto de volcado de la silla de ruedas.



### ¡ADVERTENCIA! Riesgo de volcado

La silla de ruedas puede volcar hacia atrás si se equipa con un dispositivo antivuelco. A la hora de hallar el punto de volcado, debe haber un auxiliar situado inmediatamente detrás de la silla de ruedas para que pueda agarrarla en caso de que vuelque.

- Para impedir que vuelque, instale un dispositivo antivuelco.



### ¡ADVERTENCIA! Riesgo de volcado

La silla de ruedas puede volcar hacia delante.

- Durante el montaje de la silla de ruedas, pruebe el comportamiento en cuanto al volcado hacia delante se refiere y realice los ajustes necesarios conforme al estilo de conducción.

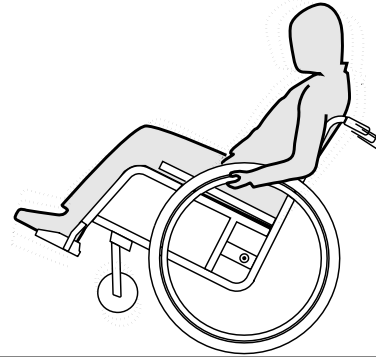


### ¡PRECAUCIÓN!

Situar una carga pesada en el respaldo puede repercutir en el centro de gravedad de la silla de ruedas.

- Cambie el estilo de desplazamiento en consecuencia.

## Hallar el punto de volcado



1. Suelte el freno.
2. Desplácese hacia atrás a una distancia corta, agarre ambos aros de empuje con firmeza e impulse hacia delante con un leve puntapié.
3. El cambio que se produce al llevar el peso en dirección opuesta a donde se están dirigiendo las ruedas con los aros de empuje facilitará la identificación del punto de volcado.

## 6.5 Desplazamiento con escalones y descansillos



### ¡ADVERTENCIA!

#### Peligro de caída

Al bajar escalones puede perder el equilibrio y volcar con su silla de ruedas.

- Baje siempre despacio y con cuidado por escalones como bordillos y descansillos.
- No baje nunca por escalones con una altura superior a 25 cm.

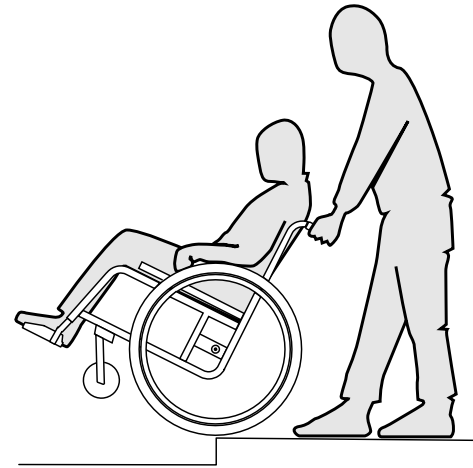


### ¡PRECAUCIÓN!

El dispositivo antivuelco impide que la silla de ruedas bascule hacia atrás.

- Desactive el dispositivo antivuelco antes de marchar por escalones o descansillos.

## Con acompañante



### Bajada de un escalón

1. Lleve la silla de ruedas justo hasta el borde y agarre los aros propulsores.
2. El acompañante sujeta las dos empuñaduras, coloca un pie en el dispositivo basculante (si está montado) e inclina la silla de ruedas hacia atrás de manera que las ruedas delanteras se eleven del suelo.
3. El acompañante mantiene la silla de ruedas en esta posición, la desplaza con cuidado hacia abajo del escalón e inclina la silla de ruedas hacia delante hasta que las ruedas delanteras vuelvan a tocar el suelo.

## Subida de un escalón



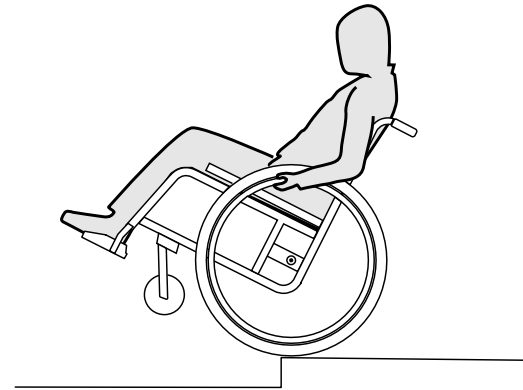
### ¡ADVERTENCIA! Riesgo de lesiones graves

Subir escalones y bordillos puede provocar que los frenos del respaldo de la silla de ruedas fallen antes de lo previsto. El usuario podría caer de la silla de ruedas.

- Utilice siempre un pisapié cuando ascienda escalones o bordillos.

1. Mueva la silla de ruedas marcha atrás hasta que las ruedas traseras queden en el borde.
2. El acompañante inclina la silla de ruedas con las dos empuñaduras hasta que las ruedas delanteras se eleven del suelo y desplaza las ruedas traseras por encima del borde hasta que las ruedas delanteras también se puedan bajar.

## Sin acompañante



### ¡ADVERTENCIA! Peligro de vuelco

Si baja un escalón sin acompañante, puede bascular hacia atrás en exceso si no domina su silla de ruedas.

- Aprenda primero cómo bajar un escalón con un acompañante.
- Aprenda a balancearse sobre las ruedas traseras, *6.4 Desplazamiento y conducción de la silla de ruedas, página 65.*

## Bajada de un escalón

1. Lleve la silla de ruedas justo hasta el borde, eleve las ruedas delanteras y mantenga el equilibrio.
2. Ahora, desplace lentamente las ruedas traseras por encima del borde. Al hacerlo, sujete con firmeza los aros propulsores con las manos hasta que las ruedas delanteras vuelvan a tocar el suelo.

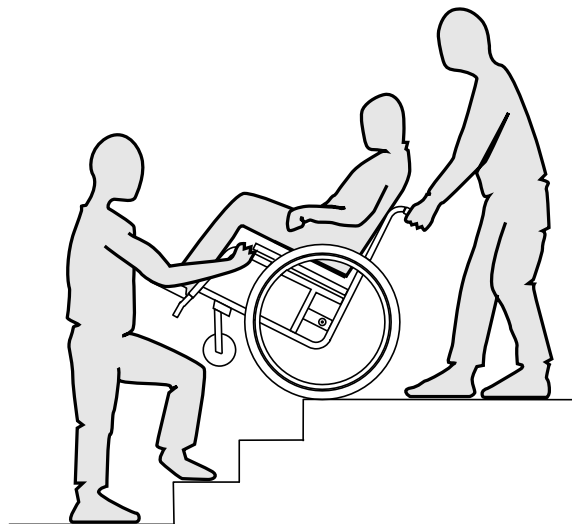
## 6.6 Bajar escaleras



### ¡ADVERTENCIA! Peligro de caída

Al bajar escaleras puede perder el equilibrio y volcar con su silla de ruedas.

- Baje escaleras de más de un escalón únicamente en compañía de 2 personas.



1. Las escaleras se pueden sortear tomando como se ha descrito anteriormente un escalón tras otro. Para ello, el primer acompañante se sitúa tras la silla de ruedas y la sujeta por las empuñaduras. El segundo acompañante sujeta una parte fija del chasis delantero y de esta forma asegura la silla de ruedas por delante.

## 6.7 Conducción sobre rampas y pendientes



### ¡ADVERTENCIA!

#### Peligro por marcha incontrolada

En pendientes ascendentes o descendentes, su silla de ruedas puede volcar hacia atrás, hacia los lados o hacia delante.

- En pendientes largas, hágalo únicamente con un acompañante tras la silla de ruedas.
- Evite la inclinación lateral.
- Evite las pendientes de más de 7°.
- Evite los cambios de dirección bruscos en pendientes.



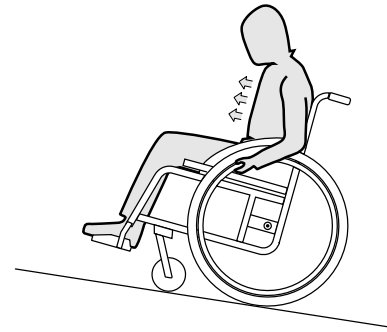
### ¡PRECAUCIÓN!

Su silla de ruedas también puede desplazarse involuntariamente sobre un terreno accidentado si no la controla mediante los aros propulsores.

- Accione los frenos de estacionamiento cuando se detenga sobre un terreno accidentado con su silla de ruedas.

### Sentido ascendente

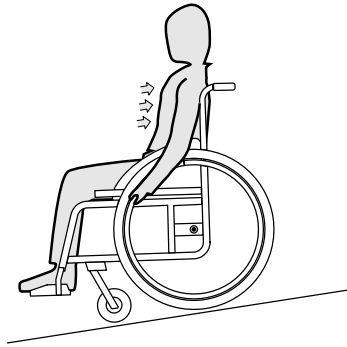
Para conducir en sentido ascendente, debe impulsarse, mantener el impulso y, a la vez, controlar la dirección.



1. Incline el torso hacia delante e impulse la silla de ruedas empujando los dos aros propulsores con rapidez y fuerza.

### Sentido descendente

Al conducir en sentido descendente es importante controlar la dirección y sobre todo la velocidad.



1. Reclínesse y deje que los aros propulsores se deslicen por las manos de forma cuidadosa. Debería poder parar la silla de ruedas en cualquier momento deteniendo los aros propulsores.



### **¡PRECAUCIÓN!**

#### **Riesgo de quemaduras en las manos**

Los aros propulsores (en especial los MaxGrepp y Supergripp) pueden calentarse si frena durante un tiempo prolongado y podría sufrir quemaduras en las palmas de las manos.

- Lleve guantes apropiados.

## **6.8 Estabilidad y equilibrio al estar sentado**

Algunas actividades y acciones cotidianas requieren inclinarse hacia fuera de la silla de ruedas, hacia delante, hacia los lados o hacia atrás. Esto tiene una gran influencia en la estabilidad de la silla de ruedas. Para poder mantener el equilibrio en todo momento, tenga en cuenta lo siguiente:

### **Inclinación hacia delante**

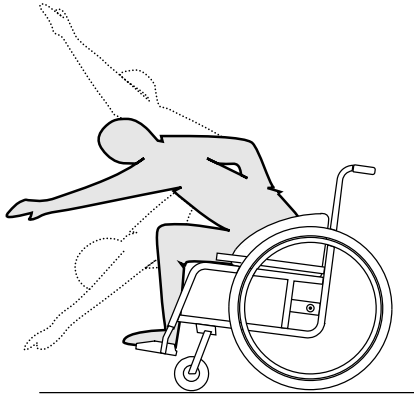


#### **¡ADVERTENCIA!**

#### **Peligro por vuelco hacia fuera**

Si se inclina hacia delante por fuera de la silla de ruedas puede caerse.

- No se incline nunca demasiado hacia delante ni se deslice en su asiento para alcanzar un objeto.
- No se incline hacia abajo entre las rodillas para levantar algo del suelo.



1. Oriente las ruedas delanteras hacia delante. (Para ello, mueva su silla un poco hacia delante y retroceda a continuación.)
2. Fije los dos frenos de estacionamiento.
3. Inclínese hacia delante sólo hasta una posición en la que su torso quede sobre las ruedas delanteras.

### Extensión de los brazos hacia atrás para coger objetos

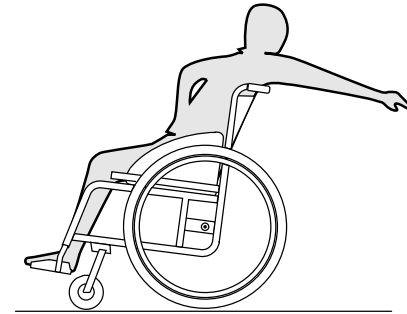


#### ¡ADVERTENCIA!

#### Peligro por vuelco hacia fuera

Si se inclina demasiado hacia atrás, puede volcar junto con la silla de ruedas.

- No se incline más allá del respaldo.
- Utilice un dispositivo antivuelco.



1. Oriente las ruedas delanteras hacia delante. (Para ello, mueva su silla un poco hacia delante y retroceda a continuación.)
2. Accione los frenos de estacionamiento.
3. Extienda el brazo hacia atrás únicamente hasta donde pueda sin cambiar la posición de asiento.

## 7 TRANSPORTE

### 7.1 Información sobre seguridad



#### ¡ADVERTENCIA!

**Peligro de lesiones si la silla de ruedas no se fija durante el transporte**

La silla de ruedas no está diseñada para el transporte de pasajeros en vehículos. En caso de accidente, podría sufrir graves lesiones.

- Durante el transporte, siéntese en un asiento fijado correctamente, no en la silla de ruedas.



#### ¡ADVERTENCIA!

**Peligro de lesiones si la silla de ruedas no se fija de la forma adecuada**

En caso de accidente, frenazo, etc., algunas piezas de la silla de ruedas pueden salir despedidas y provocar lesiones graves.

- Quite siempre las ruedas traseras cuando transporte la silla de ruedas.
- Fije con firmeza todos los componentes de la silla de ruedas en los medios de transporte para evitar que se suelten durante el trayecto.



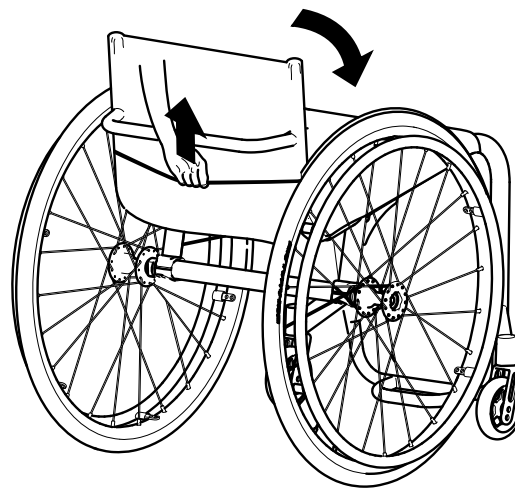
#### ¡IMPORTANTE

Una abrasión y un desgaste excesivos podrían afectar a las piezas que soportan carga.

- No tire de la silla de ruedas por superficies abrasivas sin las ruedas montadas (p. ej., tirar del chasis sobre asfalto).

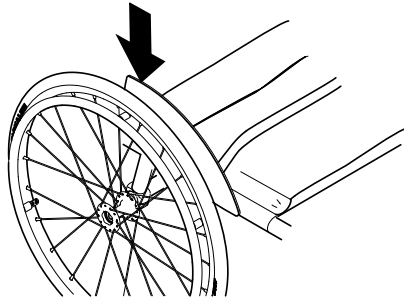
### 7.2 Respaldo abatible (opcional)

#### Bajar / levantar el respaldo






1. Para bajar el respaldo, agarre la cinta de tracción en la parte posterior de la silla de ruedas y tire de la misma hacia arriba.
2. Presione al mismo tiempo el borde superior del respaldo hacia adelante.



3. Presione a ambos lados las piezas laterales (guardabarros o protector de ropa) totalmente hacia abajo, para que el respaldo se mantenga fijo en la posición abatida. La silla de ruedas puede elevarse ahora en el travesaño de estabilización del respaldo.

 Si se encuentra montado un guardabarros, primero tiene que tirarse de las ruedas traseras hacia afuera o quitarse las mismas, para que el guardabarros pueda bajarse por completo.

4. Para levantar el respaldo, agarre la cinta de tracción en la parte posterior de la silla de ruedas y tire de la misma hacia arriba.

5. Agarre simultáneamente el borde superior del respaldo y levante el mismo.
6. Presione las piezas laterales hacia abajo hasta que encajen.
7. Sujete las ruedas traseras de nuevo si se hubieran soltado.

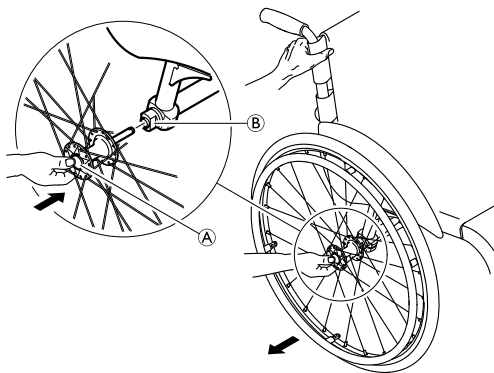
### 7.3 Desmontaje y colocación de las ruedas traseras



#### ¡ADVERTENCIA! Riesgo de caída

Si el eje extraíble de la rueda trasera no está encajado por completo, la rueda se puede soltar durante la marcha, lo que podría provocar una caída.

- Después de montar una rueda, asegúrese de que los ejes extraíbles estén completamente encajados.



5. Introduzca el eje en el manguito adaptador ② hasta el tope.
6. Suelte el botón de eje extraíble y asegúrese de que la rueda quede bien sujeta.

### Desmontaje de las ruedas traseras

1. Desacople los frenos de estacionamiento.
2. Mantenga la silla de ruedas en posición vertical con una mano.
3. Con la otra mano, sujete la rueda a través de la llanta de radios externa alrededor del cubo de la rueda.
4. Presione con el pulgar el botón del eje extraíble ①. Manténgalo presionado y saque la rueda del manguito adaptador ②.

### Colocación de las ruedas traseras

1. Desacople los frenos de estacionamiento.
2. Mantenga la silla de ruedas en posición vertical con una mano.
3. Con la otra mano, sujete la rueda a través de la llanta de radios externa alrededor del cubo de la rueda.
4. Con el pulgar, mantenga presionado el botón del eje extraíble ①.

## 8 MANTENIMIENTO

### 8.1 Información sobre seguridad



**¡ADVERTENCIA!**

Algunos materiales se deterioran de forma natural con el tiempo. Esto podría provocar daños en los componentes de la silla de ruedas.

- Un distribuidor especialista deberá inspeccionar la silla de ruedas al menos una vez al año o si esta no se ha usado durante un largo periodo de tiempo.



Su distribuidor especialista de kuschall puede ayudarle a realizar el mantenimiento periódico. Para encontrar al distribuidor especialista autorizado más cercano, póngase en contacto con el distribuidor de kuschall de su país (al final de este documento).

### 8.2 Programa de mantenimiento

Para garantizar un funcionamiento seguro y fiable, realice periódicamente las siguientes comprobaciones y tareas de mantenimiento o encárguelas a otra persona.

	semanal- mente	mensual- mente	anual- mente
Comprobar la presión de los neumáticos	x		
Comprobar que las ruedas traseras estén bien asentadas	x		
Comprobar el cinturón postural	x		
Inspección visual		x	
Comprobar las ruedas delanteras		x	
Comprobar los tornillos		x	
Comprobar los radios		x	

	semanal- mente	mensual- mente	anual- mente
Comprobar los frenos de estacionamiento		x	
Solicitar a un distribuidor especialista que compruebe el estado de la silla de ruedas			x

### Comprobar la presión de los neumáticos

1. Compruebe la presión de los neumáticos.



Consulte la sección "Neumáticos" para obtener más información.

2. Infle los neumáticos con la presión necesaria.
3. Compruebe la banda de rodamiento al mismo tiempo.
4. Cambie los neumáticos si es necesario.

### Comprobar que las ruedas traseras estén bien asentadas

1. Tire de la rueda trasera para comprobar que el eje extraíble esté bien asentado. La rueda no deberá salirse.
2. Si las ruedas traseras no encajan correctamente, elimine cualquier suciedad o depósito. Si persiste el problema, solicite al distribuidor especialista que monte de nuevo los ejes extraíbles.

### Comprobar el cinturón postural

1. Compruebe que el cinturón postural esté ajustado correctamente.



#### IMPORTANTE

- Un distribuidor especialista deberá ajustar los cinturones posturales sueltos.
- Un distribuidor especialista deberá sustituir los cinturones posturales dañados.
- Un distribuidor especialista deberá instalar siempre los cinturones posturales.

### Inspección visual

1. Compruebe si la silla de ruedas tiene piezas sueltas, grietas u otros defectos.
2. Si encuentra algo, solicite inmediatamente a un distribuidor especialista que compruebe el estado de la silla de ruedas.

### Comprobar las ruedas delanteras

1. Compruebe que las ruedas delanteras giren sin ningún impedimento.
2. Elimine cualquier suciedad o pelo de los rodamientos de las ruedas delanteras.
3. Un distribuidor especialista deberá cambiar las ruedas delanteras defectuosas o gastadas.

### Comprobar los tornillos

Los tornillos se pueden soltar debido al uso constante.

1. Compruebe que los tornillos estén bien apretados (en el reposapiés, funda del asiento, laterales, respaldo, chasis y módulo del asiento).
2. Apriete todos los tornillos sueltos con el par adecuado. Por lo tanto, consulte el manual de servicio, disponible en el sitio web [www.kuschall.com](http://www.kuschall.com).

### ! IMPORTANTE

Los tornillos y las tuercas de seguridad pierden su eficacia al aflojarse y apretarse repetidamente.

- Un distribuidor especialista deberá reemplazar los tornillos y las tuercas de seguridad.

### Comprobar la tensión de los radios

Los radios no deberán estar sueltos o deformados.

1. Un distribuidor especialista deberá ajustar los radios sueltos.
2. Un distribuidor especialista deberá sustituir los radios rotos.

### Comprobar los frenos de estacionamiento

1. Compruebe que los frenos de estacionamiento estén colocados correctamente. El freno de estacionamiento estará colocado correctamente si la zapata presiona la rueda unos milímetros al accionarlo.
2. Si cree que el ajuste no es correcto, solicite a un distribuidor especialista que ajuste los frenos de estacionamiento correctamente.

### ! IMPORTANTE

Los frenos de estacionamiento deberán reajustarse después de reemplazar las ruedas traseras o cambiar su posición.

### Comprobaciones tras una colisión o un golpe fuertes

### ! IMPORTANTE

Como consecuencia de una colisión violenta o un golpe fuerte, pueden producirse daños imperceptibles en la silla de ruedas.


- Después de una colisión violenta o un golpe fuerte, es imprescindible que un distribuidor especialista inspeccione la silla de ruedas.

### Reparación o cambio de un tubo interior

1. Extraiga la rueda trasera y suelte el aire que tenga el tubo interior.
2. Levante la cubierta de la rueda para sacarla de la llanta mediante una palanca para ruedas de bicicleta. No use objetos afilados (por ejemplo, un destornillador) que puedan dañar el tubo interior.
3. Saque el tubo interior de la rueda.
4. Repare el tubo interior mediante un kit de reparación de bicicletas o, si es necesario, reemplace el tubo.
5. Infle el tubo ligeramente hasta que tenga una forma redonda.
6. Introduzca la válvula en el orificio para la válvula de la llanta e inserte el tubo en la rueda (el tubo deberá quedar alrededor de la rueda sin pliegues).

7. Levante la cubierta de la rueda sobre el borde de la llanta. Empiece cerca de la válvula y use una palanca para ruedas de bicicleta. Al hacerlo, compruebe todo el contorno para asegurarse de que el tubo interior no quede atrapado entre la rueda y la llanta.
8. Infle la rueda hasta la presión de funcionamiento máxima. Compruebe que la rueda no pierda aire.

### Recambios

 Todos los recambios se pueden obtener a través de un distribuidor especialista de kuschall. Podrá obtener una lista actualizada de recambios a través de Internet, en la dirección [www.kuschall.com](http://www.kuschall.com).

### 8.3 Limpieza

La silla de ruedas le servirá durante muchos años si la limpia con regularidad.

#### **!** IMPORTANTE


La arena y el agua del mar pueden dañar los cojinetes y las partes de acero se pueden oxidar si la superficie se daña.

- Exponga la silla de ruedas a la arena o al agua del mar únicamente durante periodos cortos y límpiela cada vez que haya estado en la playa.

#### **!** IMPORTANTE

- No utilice sustancias abrasivas, productos de limpieza agresivos o limpiadores a alta presión. Nunca utilice ácidos, álcalis o disolventes como la acetona o el disolvente de celulosa.
- Utilice siempre los productos habituales de limpieza del hogar.

1. Limpie los cojines y las piezas metálicas con un paño suave y húmedo.
2. Seque la silla de ruedas con cuidado con un paño tras utilizarla en condiciones de lluvia.
3. Si la silla de ruedas está sucia, limpie la suciedad lo antes posible con un paño húmedo y séquela con cuidado.

 Una limpieza regular revelará piezas flojas o desgastadas y mejorará el funcionamiento correcto de la silla de ruedas. Para que funcione correctamente y de forma segura, la silla de ruedas debe cuidarse como cualquier otro vehículo. En caso de que la tapicería esté muy manchada o el acabado de la superficie presente muchos daños, póngase en contacto con un distribuidor autorizado para obtener más información.

#### **Limpieza de la tapicería**

Para obtener información sobre la limpieza de la tapicería, consulte las instrucciones de la etiqueta de la funda del asiento, del cojín y del respaldo.

### **Limpieza de las superficies metálicas**

Debe utilizarse agua caliente y un detergente suave para limpiar las superficies metálicas.

1. Limpie con un paño húmedo.
2. Seque la superficie limpiando con un paño seco.

Se puede utilizar abrillantador de coches y cera suave para eliminar raspaduras y restablecer el brillo.

### **Limpieza de las superficies de plástico**

Las superficies de plástico deben limpiarse con un paño suave, detergente suave y agua caliente.



#### **IMPORTANTE**

- No utilice disolventes ni productos de limpieza de cocina para limpiar las superficies de plástico.

1. Enjuague la superficie con agua limpia.
2. Seque la superficie limpiando con un paño seco.

## **8.4 Desinfección**

La silla de ruedas puede desinfectarse pulverizando o limpiando con desinfectantes probados y aprobados.



El instituto Robert Koch ofrece en [www.rki.de](http://www.rki.de) una lista de los desinfectantes aprobados actualmente.

## 9 DESPUÉS DEL USO

### 9.1 Almacenamiento



#### IMPORTANTE

Riesgo de dañar el producto

- No guarde el producto cerca de fuentes de calor.
- No guarde nunca otros objetos sobre la silla de ruedas.
- Guarde la silla de ruedas en el interior, en un entorno seco.
- Consulte el límite de temperatura en el capítulo *11.2 Condiciones ambientales*, página 85.

Si la silla de ruedas permanece guardada durante mucho tiempo (más de cuatro meses), deberá inspeccionarse según se indica en el capítulo *8 Mantenimiento*, página 75.

### 9.2 Reutilización

La silla de ruedas puede reutilizarse. Deberán llevarse a cabo las acciones siguientes:

- Limpieza y desinfección, *8.3 Limpieza*, página 78 y *8.4 Desinfección*, página 79 en este manual.
- Inspección, *8.2 Programa de mantenimiento*, página 75 en este manual.
- La silla de ruedas se deberá adaptar al usuario nuevo según la documentación de servicio (disponible en el distribuidor küschall de cada país).

### 9.3 Información sobre la eliminación

Proteja el medio ambiente y elimine la silla de ruedas debidamente. La eliminación está sujeta a las normativas nacionales y locales.



Para su correcta eliminación, póngase en contacto con su distribuidor especialista o pregunte a su ayuntamiento o junta municipal sobre las empresas locales de gestión de residuos.



---

# 10 SOLUCIÓN DE PROBLEMAS

---

## 10.1 Información sobre seguridad

Se pueden producir fallos como resultado del uso diario, los ajustes o las necesidades cambiantes de la silla de ruedas. En la tabla siguiente, se explica cómo identificar y reparar los fallos.



**¡PRECAUCIÓN!**

- Póngase en contacto con su distribuidor especialista inmediatamente si observa algún fallo en la silla de ruedas, por ejemplo, un cambio significativo en su manejo.



**¡IMPORTANTE**

- Algunas de las acciones mencionadas deberá realizarlas un distribuidor especialista autorizado. Esto se indicará en cada caso. Recomendamos que *todos* los ajustes los efectúe un distribuidor especialista.

## 10.2 Identificación y reparación de fallos

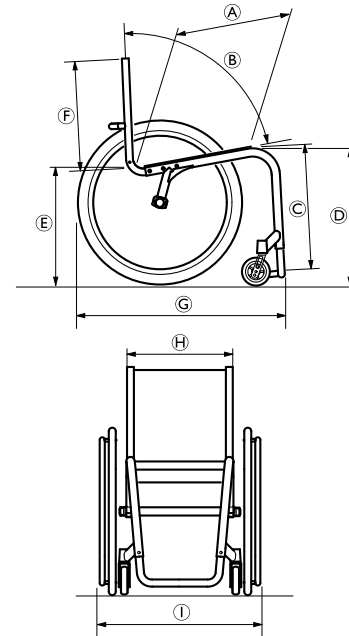
Fallo	Posible causa	Acción
La silla de ruedas no se desplaza en línea recta	Presión de los neumáticos incorrecta en una rueda trasera	Corrija la presión de los neumáticos, ® 3.7 <i>Ruedas, página 56</i>
	Uno o varios radios rotos	Reemplace el radio o los radios defectuosos, ® distribuidor especialista
	Radios apretados de forma desigual	Apriete los radios sueltos, ® distribuidor especialista
	El apoyo de la rueda delantera no está alineado correctamente	Corrija la posición y la alineación del apoyo de la rueda delantera, ® distribuidor especialista
	Los rodamientos de la rueda delantera están sucios o dañados	Limpie o reemplace los rodamientos, ® distribuidor especialista
	Ruedas traseras fuera de la guía	Cambie la guía, ® distribuidor especialista
	La altura de las ruedas delanteras no está ajustada al mismo nivel	Ponga las ruedas delanteras de tal forma que toquen el suelo al mismo tiempo, ® distribuidor especialista
La silla de ruedas se vuelca hacia atrás con demasiada facilidad	Las ruedas traseras están montadas demasiado hacia delante	Monte las ruedas traseras más atrás, ® distribuidor especialista
	El ángulo trasero es demasiado grande	Reduzca el ángulo del respaldo, ® distribuidor especialista
	La geometría del chasis no se ajusta a las especificaciones	Monte las ruedas traseras más atrás, ® distribuidor especialista

<b>Fallo</b>	<b>Posible causa</b>	<b>Acción</b>
Los ejes extraíbles no se pueden insertar correctamente	Ejes extraíbles sucios	Limpie los ejes extraíbles
	Ejes extraíbles mal alineados	Ajuste los ejes extraíbles, ® distribuidor especialista
Los frenos de estacionamiento agarran mal o de forma asimétrica	Presión de los neumáticos incorrecta en una o ambas ruedas traseras	Corrija la presión de los neumáticos, ® 3.7 <i>Ruedas, página 56</i>
	Ajuste del freno de estacionamiento incorrecto	Corrija el ajuste del freno de estacionamiento, ® distribuidor especialista
Resistencia al rodamiento muy alta	La presión de los neumáticos de las ruedas traseras es demasiado baja	Corrija la presión de los neumáticos o sustituya el tubo del interior del neumático, ® 3.7 <i>Ruedas, página 56</i>
	La rueda se ha pinchado	Asegúrese de que las ruedas traseras estén paralelas, ® distribuidor especialista
Las ruedas delanteras se tambalean al moverse rápido	El bloque del cojinete de la rueda delantera tiene muy poca tensión	Apriete ligeramente la tuerca en el eje del bloque del cojinete, ® distribuidor especialista
	La rueda delantera se ha desgastado y está lisa	Cambie la rueda delantera, ® distribuidor especialista
La rueda delantera está rígida o atascada	Los rodamientos están sucios o defectuosos	Limpie o reemplace los rodamientos, ® distribuidor especialista

## 11 DATOS TÉCNICOS

### 11.1 Dimensiones y peso

Todas las dimensiones y especificaciones de peso se refieren a una anchura del asiento de 400 mm, a una profundidad del asiento de 410 mm y a la configuración más ligera de la silla de ruedas. Las dimensiones y el peso pueden cambiar en función de las distintas configuraciones.



Ⓐ	Profundidad del asiento	385 – 485 mm, en incrementos de 25 mm
Ⓑ	Ángulo del respaldo	74°/78°/82°/86°/90°
Ⓒ	Longitud de la rodilla al talón	350 – 500 mm, en incrementos de 10 mm
Ⓓ	Altura del asiento, parte delantera	450 – 530 mm, en incrementos de 10 mm
Ⓔ	Altura del asiento, parte posterior	400 – 480 mm, en incrementos de 10 mm
Ⓕ	Altura del respaldo	270 – 420 mm, en incrementos de 15 mm
Ⓖ	Longitud total	75°: aprox. 800 mm 90°: aprox. 730 mm
Ⓗ	Anchura del asiento	340 – 440 mm, en incrementos de 20 mm
Ⓘ	Anchura total	Anchura del asiento + 170 mm
	Peso total	aprox. 6,8 kg
	Peso de transporte (sin ruedas traseras)	aprox. 4,3 kg
	Peso del usuario máximo	100 kg
	Centro de gravedad	80 – 140 mm, en incrementos de 15 mm

	Anchura de marcha atrás	920 – 1230 mm
	Pendiente de seguridad máxima	7°

### 11.2 Condiciones ambientales

No exponga la silla de ruedas a temperaturas inferiores a -20 °C o superiores a 40 °C.

### 11.3 Materiales

Los componentes utilizados para fabricar las sillas de ruedas küschall se componen de los siguientes materiales:

Tubos del chasis	Aluminio
Tubos del respaldo	Aluminio
Tubo del eje	Fibra de carbono
Funda del asiento/funda del respaldo	PA/PE/PVC
Empuñadura	Acero/aluminio/TPE
Protector de ropa/guardabarros	Fibra de carbono
Horquillas de las ruedas delanteras	Aluminio
Tubo del reposapiés	Aluminio /titanio
Paleta del reposapiés	Fibra de carbono

Piezas de apoyo/accesorios	Acero/aluminio
Tuercas y tornillos	Acero

Todos los componentes del producto cuentan con un revestimiento protector o son resistentes a la corrosión.

# ÍNDICE

Este manual TEM de ser fornecido ao utilizador do produto.  
ANTES de utilizar este produto, leia este manual e guarde-o  
para futuras consultas.

<b>1 Geral</b>	<b>89</b>
1.1 Introdução	89
1.2 Símbolos utilizados neste manual	89
1.3 Informações da garantia	90
1.4 Conformidade	90
1.4.1 Normas específicas do produto	90
1.5 Utilização prevista	90
1.6 Vida útil	90
1.7 Protecção de direitos de autor	91
1.8 Limitação de responsabilidade	91
<b>2 Segurança</b>	<b>92</b>
2.1 Informações de segurança	92
2.2 Dispositivos de segurança	93
2.3 Etiquetas e símbolos no produto	93
<b>3 Montagem e funcionamento</b>	<b>95</b>
3.1 Descrição geral	95
3.2 Travões de estacionamento	96
3.3 Encosto	97
3.4 Punhos	98
3.5 Apoio de pés	99
3.6 Dispositivo antiqueda	99
3.7 Pneus	100
3.8 Almofada do assento	101
3.9 Presilha da barriga das pernas	102
<b>4 Acessórios</b>	<b>103</b>
4.1 Cinto de postura	103

4.2 Bomba de ar	104
4.3 Reflectores	104
<b>5 Configuração</b>	<b>105</b>
5.1 Informações de segurança	105
<b>6 Utilizar a cadeira</b>	<b>106</b>
6.1 Informações de segurança	106
6.2 Travagem durante a utilização	107
6.3 Sentar-se e levantar-se da cadeira de rodas	107
6.4 Condução e manobra da cadeira de rodas	109
6.5 Passar sobre degraus e bordas do passeio	110
6.6 Passar sobre escadas	112
6.7 Conduzir sobre rampas e subidas	113
6.8 Estabilidade e equilíbrio enquanto está sentado	114
<b>7 Transporte</b>	<b>116</b>
7.1 Informações de segurança	116
7.2 Encosto rebatível (opcional)	116
7.3 Remover e instalar as rodas traseiras	117
<b>8 Manutenção</b>	<b>119</b>
8.1 Informações de segurança	119
8.2 Plano de manutenção	119
8.3 Limpeza	121
8.4 Desinfecção	122
<b>9 Após a utilização</b>	<b>123</b>
9.1 Armazenamento	123
9.2 Reutilização	123
9.3 Informações de eliminação	123

<b>10</b>	<b>Resolução de problemas</b>	<b>124</b>
10.1	Informações de segurança	124
10.2	Identificar e reparar falhas	125
<b>11</b>	<b>Características Técnicas</b>	<b>127</b>
11.1	Dimensões e peso	127
11.2	Condições ambientais	128
11.3	Materiais	128



# 1 GERAL

## 1.1 Introdução

Este manual de utilização contém informações importantes sobre o manuseamento do produto. Para garantir a segurança durante a utilização do produto, leia atentamente o manual de utilização e siga as instruções de segurança.

Tenha em atenção que este manual de utilização pode conter secções não aplicáveis ao seu produto, uma vez que se refere a todos os modelos disponíveis (à data da impressão). Salvo menção em contrário, cada secção deste manual refere-se a todos os modelos do produto.

Os modelos e configurações disponíveis no seu país podem ser encontrados em catálogos de preços específicos do país.

A Invacare reserva-se o direito de alterar as especificações do produto sem aviso prévio.

Antes de ler este manual, certifique-se de que tem a versão mais recente. A versão mais recente está disponível no site da Invacare, em formato PDF.

Se o tamanho do tipo de letra na versão impressa do manual de utilização for difícil de ler, pode transferir uma versão em PDF do manual a partir do site. A imagem do PDF pode ser ajustada no ecrã para um tamanho de tipo de letra que lhe seja mais cómodo.

Para obter mais informações sobre o produto, por exemplo, avisos de segurança de produtos e retiradas

de produtos do mercado, contacte o seu representante da Invacare. Consulte os endereços no final deste documento.

## 1.2 Símbolos utilizados neste manual

Neste manual as advertências são indicadas por símbolos. Os símbolos de advertência são acompanhados por um cabeçalho que indica a gravidade do perigo.



### ADVERTÊNCIA

Indica uma situação perigosa que, se não for evitada, poderá resultar em morte ou em lesões graves.



### ATENÇÃO

Indica uma situação perigosa que, se não for evitada, poderá resultar em lesões menores ou ligeiras.



### IMPORTANTE

Indica uma situação perigosa que, se não for evitada, poderá resultar em danos à propriedade.



### Sugestões e recomendações

Fornece sugestões, recomendações e informações úteis para uma utilização eficiente, sem problemas.



Este produto está em conformidade com a Directiva 93/42/CEE sobre dispositivos médicos. A data de lançamento deste produto é indicada na declaração de conformidade CE.



Fabricante do produto.

### 1.3 Informações da garantia

Facultamos uma garantia de fabrico para o produto, em conformidade com os nossos Termos e Condições Gerais de Compra nos respetivos países.

As reclamações de garantia só podem ser realizadas através do fornecedor ao qual o produto foi adquirido.

### 1.4 Conformidade

A qualidade é fundamental para o funcionamento da empresa, estando em conformidade com a norma ISO 13485.

Este produto apresenta a marca CE, em conformidade com a Diretiva dos Dispositivos Médicos 93/42/CEE de Classe 1.

Temos empreendido um esforço contínuo para reduzir ao mínimo o impacto local e global da empresa no ambiente.

Apenas utilizamos materiais e componentes que cumprem a diretiva REACH.

### 1.4.1 Normas específicas do produto

A cadeira de rodas foi testada em conformidade com a norma EN 12183. A avaliação incluiu um teste de inflamabilidade.

Para obter informações adicionais sobre as normas e os regulamentos locais, contacte o representante local da Invacare. Consulte os endereços no final deste documento.

### 1.5 Utilização prevista

Esta cadeira de rodas ativa está indicada para fornecer mobilidade a pessoas que estão limitadas a uma posição sentada.

#### Indicações

Pessoas com deficiências com pelo menos 12 anos (adolescentes e adultos) com dificuldades de mobilidade e restringidas a uma posição sentada.

#### Contraindicações

Não se conhecem contraindicações.



Esta cadeira de rodas ativa deve ser prescrita e ajustada à sua condição de saúde específica.

### 1.6 Vida útil

A vida útil prevista deste produto é de cinco anos, assumindo que o mesmo é utilizado diariamente e em conformidade com as instruções de segurança, instruções de manutenção e utilização prevista indicados neste manual.

## **1.7 Protecção de direitos de autor**

Este manual de instruções está protegido pelos direitos de autor. O manual de instruções não pode ser reimpresso, duplicado nem transmitido a terceiros, em parte ou no seu todo, sem o consentimento prévio por escrito do fabricante.

## **1.8 Limitação de responsabilidade**

A Invacare não aceita a responsabilidade por danos decorrentes de:

- Incumprimento das instruções presentes no manual de utilização
- Utilização incorreta
- Desgaste natural devido ao uso
- Montagem ou preparação incorreta pelo comprador ou por terceiros
- Modificações técnicas
- Modificações não autorizadas e/ou utilização de peças sobressalentes desadequadas

## 2 SEGURANÇA

### 2.1 Informações de segurança

Esta secção contém informações de segurança importantes para a proteção do utilizador e do assistente da cadeira de rodas, assim como para a utilização correta e sem problemas da cadeira de rodas.



#### **ADVERTÊNCIA!**

##### **Risco de acidentes e lesão grave**

Podem ocorrer acidentes resultantes em lesão grave se a cadeira de rodas for ajustada incorretamente.

- Os ajustes feitos na cadeira de rodas devem ser sempre realizados por um fornecedor especialista.



#### **ADVERTÊNCIA!**

##### **Risco resultante de um estilo de condução desadequado para as condições**

Existe o risco de derrapagem em piso molhado, gravilha ou terreno irregular.

- Adapte sempre a velocidade e o estilo de condução às condições (tempo, superfície, capacidade individual, etc.).



#### **ADVERTÊNCIA!**

##### **Risco de lesão**

Em caso de colisão, pode sofrer lesões em partes do seu corpo que sobressaem da cadeira de rodas (por exemplo, pés ou mãos).

- Evite uma colisão sem travagem.
- Conduza de modo a nunca chocar de frente com um objeto.
- Conduza cuidadosamente por passagens estreitas.



#### **ADVERTÊNCIA!**

##### **Risco devido a descontrolo da cadeira de rodas**

A alta velocidade pode perder o controlo da cadeira de rodas e capotar.

- Nunca exceda a velocidade de 7 km/h.
- Evite colisões em geral.



#### **ATENÇÃO!**

##### **Risco de queimadura**

Os componentes da cadeira de rodas podem aquecer quando expostos a fontes externas de calor.

- Não exponha a cadeira de rodas a luz solar forte antes da utilização.
- Antes da utilização, verifique a temperatura de todos os componentes que entrem em contacto com a sua pele.



**ATENÇÃO!**

**Risco de entalar os dedos**

Existe sempre um risco de prender os dedos, braços, etc. nas partes móveis da cadeira de rodas.

- Quando ativar os mecanismos de dobragem ou de inserção nas partes móveis (por exemplo, o eixo removível da roda traseira, o encosto rebatível ou o dispositivo antiqueda), certifique-se de que não prende nenhuma parte do corpo ou nenhum objeto.

**2.2 Dispositivos de segurança**



**ADVERTÊNCIA!**

**Risco de acidente**

Dispositivos de segurança mal configurados ou avariados (travões, roda anti-volteio) podem levar a acidentes.

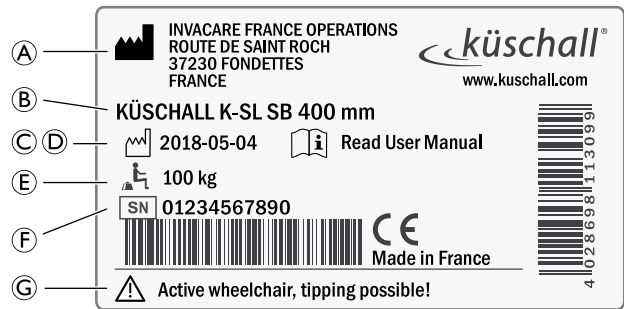
- Antes de cada utilização da cadeira de rodas verifique o bom funcionamento dos dispositivos de segurança e leve-a com regularidade a um técnico especializado para ser controlada.

As funções dos dispositivos de segurança estão descritas no Capítulo 3 *Montagem e funcionamento*, página 95.

**2.3 Etiquetas e símbolos no produto**

**Placa de características**

A placa de características encontra-se fixada no chassis da cadeira de rodas e fornece as seguintes informações:



Ⓐ	Endereço do fabricante
Ⓑ	Descrição do produto
Ⓒ	Data de fabrico
Ⓓ	Instrução para ler o Manual de utilização
Ⓔ	Peso máximo do utilizador
Ⓕ	Número de série
Ⓖ	Advertência de que se trata de uma cadeira de rodas ativa, sendo possível a ocorrência de basculação

## Símbolo de gancho fechado



### Símbolo de ADVERTÊNCIA

Esta cadeira de rodas não está configurada para o transporte de passageiros em veículos motorizados.

## Etiqueta de advertência do dispositivo antiqueda

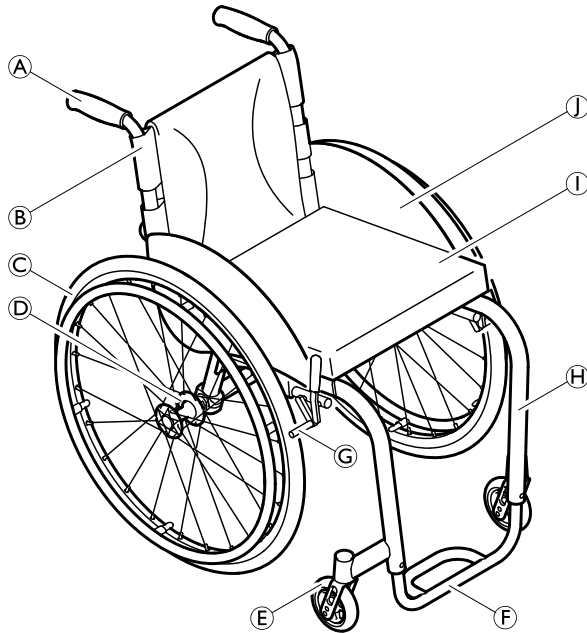


### ADVERTÊNCIA: Ler o manual de utilização

Siga as instruções do manual de utilização antes de utilizar o dispositivo antiqueda.

## 3 MONTAGEM E FUNCIONAMENTO

### 3.1 Descrição geral



Ⓐ	Punho
Ⓑ	Costas
Ⓒ	Roda traseira com aro motor
Ⓓ	Eixo de extracção
Ⓔ	Garfo da roda dianteira com roda dianteira
Ⓕ	Apoio para os pés
Ⓖ	Travão de estacionamento
Ⓗ	Chassis
Ⓘ	Assento / Almofada de assento
⓵	Resguardo de roupa

#### Breve descrição

A KSL é uma cadeira de rodas com chassis rígido.

- i** O equipamento real da sua cadeira pode variar da representação, uma vez que cada cadeira de rodas é fabricada de acordo com as indicações da encomenda.

## 3.2 Travões de estacionamento

Os travões de estacionamento são utilizados para imobilizar a cadeira de rodas quando está estacionária de modo a impedir a sua deslocação descontrolada.



### ADVERTÊNCIA!

#### Risco de capotagem se travar bruscamente

Se engatar os travões de estacionamento enquanto se está deslocar, a direção do movimento pode ficar incontrolável e a cadeira de rodas pode parar subitamente, o que pode resultar numa colisão ou na sua queda.

- Nunca engate os travões de estacionamento enquanto se está a deslocar.



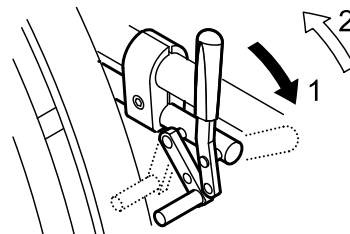
### ADVERTÊNCIA!

#### Risco de capotagem

Os travões de estacionamento só funcionarão corretamente se existir ar suficiente nos pneus.

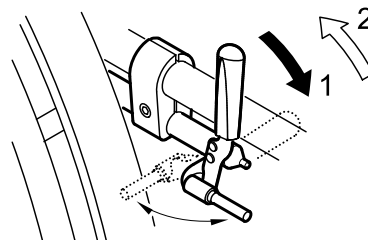
- Certifique-se de que os pneus têm a pressão correta. Consulte a secção 3.7 *Pneus*, página 100

## Travão padrão



1. Para engatar o travão, pressione a alavanca de travagem para a frente o máximo possível.
2. Para desengatar o travão, puxe a alavanca de travagem para trás.

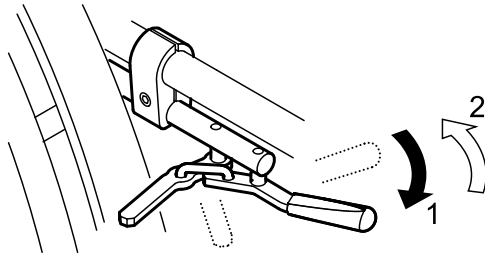
## Travão performance





1. Para engatar o travão, pressione a alavanca de travagem para a frente o máximo possível.
2. Para desengatar o travão, puxe a alavanca de travagem para trás.

### Travão ativo



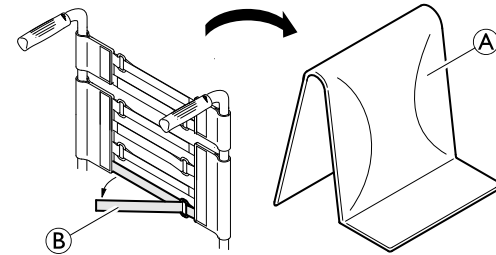
1. Para engatar o travão, puxe a alavanca de travagem para a frente, de lado ou entre os joelhos, o máximo possível.
2. Para desengatar o travão, pressione a alavanca de travagem para trás, de lado ou entre os joelhos, o máximo possível.

## 3.3 Encosto

### Capa do encosto

Pode ajustar a tensão da capa do encosto, conforme necessário.

### Ajustar a capa do encosto



1. Remova a almofada do encosto (A).
2. Solte os fechos de velcro (B) na parte traseira da capa do encosto, simplesmente puxando pelos mesmos.
3. Aperte ou solte as fitas conforme necessário para as voltar a prender.



#### **ADVERTÊNCIA!**

#### **Risco de basculação**

Se as bandas ficarem reguladas muito soltas, o ponto de basculação da cadeira de rodas irá agravar-se.

- Certifique-se de que as bandas estão reguladas corretamente.

#### **Altura do encosto**

É possível ajustar a altura do encosto. O ajuste deve ser efetuado pelo fornecedor especialista.

#### **Ângulo do encosto**

É possível ajustar o ângulo do encosto. O ajuste deve ser efetuado pelo fornecedor especialista.

## Barra de estabilização para as costas



### ADVERTÊNCIA! Risco de acidentes

A barra de estabilização para as costas não deve ser utilizada para levantar nem transportar a cadeira de rodas quando o utilizador está sentado, visto poder partir-se.

- A barra de estabilização para as costas não deve ser utilizada para levantar nem transportar a cadeira de rodas quando o utilizador está sentado na mesma.

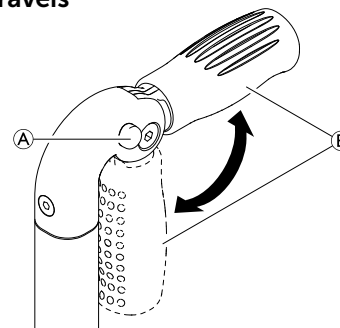
## 3.4 Punhos



### IMPORTANTE!

- Verifique sempre os punhos antes de utilizar a cadeira de rodas, confirmando se as pegas estão fixas, não rodam nem saem.

## Punhos dobráveis



1. Prima totalmente o botão (A) e dobre o punho (B) respetivamente para cima ou para baixo até ouvir um som de encaixe.

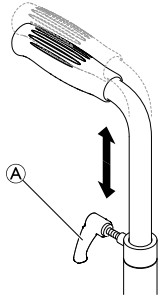


### ATENÇÃO!

- Se não estiver corretamente engatado, o punho pode dobrar-se acidentalmente para baixo ao empurrar a cadeira de rodas.
- Certifique-se de que o punho está corretamente engatado.

## Punhos integrados de altura ajustável

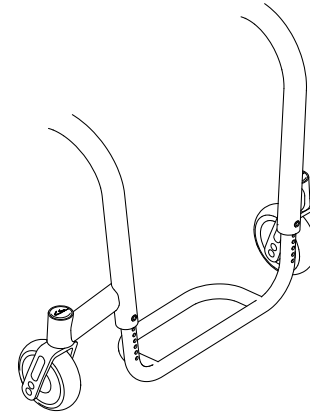
Os punhos de altura ajustável a vários níveis permitem a qualquer assistente ajustar os manípulos para um nível confortável.



1. Para regular a altura dos punhos, desaperte o parafuso **A**, empurre o manípulo até a posição pretendida e aperte o parafuso de novo.

### 3.5 Apoio de pés

É possível ajustar a altura do apoio de pés. O ajuste deve ser efetuado pelo fornecedor especialista.



### 3.6 Dispositivo antiqueda

Um dispositivo antiqueda impede que a cadeira de rodas se incline para trás.



#### **ADVERTÊNCIA!**

#### **Risco de capotagem**

Dispositivos antiqueda que sejam incorretamente instalados ou que deixem de funcionar podem resultar em capotagem.

- Verifique sempre se o dispositivo antiqueda funciona antes de utilizar a cadeira de rodas e providencie a sua regulação ou reajuste por um fornecedor especialista.

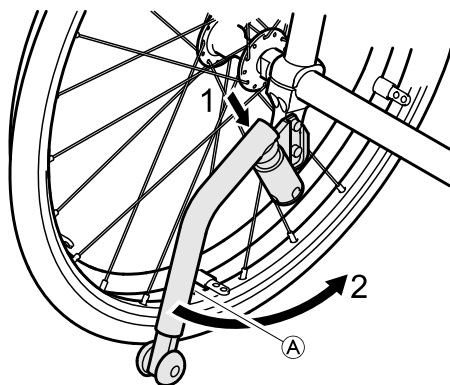


### ADVERTÊNCIA!

#### Risco de capotagem

Se a superfície for irregular ou macia, o dispositivo antiqueda pode ficar preso em buracos no pavimento, o que pode limitar ou eliminar a sua função de segurança.

- Utilize o dispositivo antiqueda apenas quando se deslocar numa superfície regular e firme.



#### Ativar o dispositivo antiqueda

1. Pressione o dispositivo antiqueda completamente para baixo contra a mola e rode-o para trás 90° até este engatar.



### ADVERTÊNCIA!

#### Risco de basculação

Um dispositivo antiqueda ativado pode ficar preso ao tentar transpor um degrau ou uma extremidade.

- Desative sempre o dispositivo antiqueda antes de se deslocar sobre um degrau ou passeio.

#### Desativar o dispositivo antiqueda

1. Pressione o dispositivo antiqueda completamente para baixo contra a mola e rode-o para dentro 90° até este engatar.

#### Definir a altura

1. Prima o pino de mola (A) no dispositivo antiqueda e pressione a secção interior contra a posição pretendida. Permita que o pino de mola engate no orifício mais próximo.






Se forem necessários ajustes adicionais de altura e/ou posição, consulte o seu fornecedor especialista.

### 3.7 Pneus

A pressão ideal depende do tipo de pneu:

A tabela abaixo serve de orientação. Caso o pneu seja diferente da lista abaixo, verifique o lado do pneu - muitas vezes a pressão máxima é indicada aí.

Pneu	Pressão máx.		
	7 bar	700 kPa	101 psi
Pneu de perfil	7 bar	700 kPa	101 psi
Schwalbe® Marathon Plus	10 bar	1000 kPa	145 psi
Schwalbe® One	10 bar	1000 kPa	145 psi
Schwalbe® Rightrun	10 bar	1000 kPa	145 psi
Pneu sólido, perfil, cinzento	-	-	-
Pneu sólido (tipo KIK), preto	-	-	-
Roda leve, sólida	-	-	-

-  A compatibilidade dos pneus listados acima depende da configuração e/ou do modelo da cadeira de rodas.
-  Em caso de furo num pneu, consulte um estabelecimento adequado (por exemplo, uma oficina de reparação de bicicletas ou um fornecedor de bicicletas) para que o tubo seja substituído por uma pessoa qualificada.
-  O tamanho do pneu é indicado na parede lateral do pneu. A substituição com os pneus adequados deve ser efetuada por um fornecedor especialista.



### ATENÇÃO!

- A pressão dos pneus tem de ser igual em ambas as rodas para evitar um menor conforto na condução, para manter os travões de estacionamento a funcionar corretamente e para facilitar a propulsão da cadeira de rodas.

## 3.8 Almofada do assento

É necessária uma almofada adequada para proporcionar uma distribuição da pressão uniforme no assento.



### ATENÇÃO!

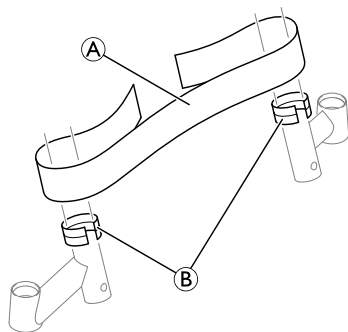
Ao adicionar uma almofada ao assento irá subir a sua altura em relação ao solo, o que poderá afetar a estabilidade em todas as direções. Se uma almofada for substituída também pode afetar a estabilidade do utilizador. Se a espessura da almofada mudar, é necessária uma reconfiguração completa da cadeira de rodas por um fornecedor especialista.



Utilize uma almofada do assento com uma capa antiderrapante ou bandas de fixação para evitar que a almofada do assento escorregue. A capa do assento está pré-equipada com uma banda de fixação.

### 3.9 Presilha da barriga das pernas

É possível instalar uma presilha da barriga das pernas na cadeira de rodas para proporcionar uma melhor posição às pernas do utilizador.



1. Fixe e ajuste a presilha da barriga das pernas **A** à volta dos fechos de velcro **B** em ambas as peças do chassi.

## 4 ACESSÓRIOS

### 4.1 Cinto de postura

A cadeira de rodas pode ser equipada com um cinto de postura. O cinto de postura impede o utilizador de deslizar para baixo na cadeira de rodas ou de cair da mesma. O cinto de postura não é um dispositivo de posicionamento.

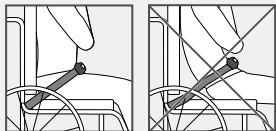


#### ADVERTÊNCIA!

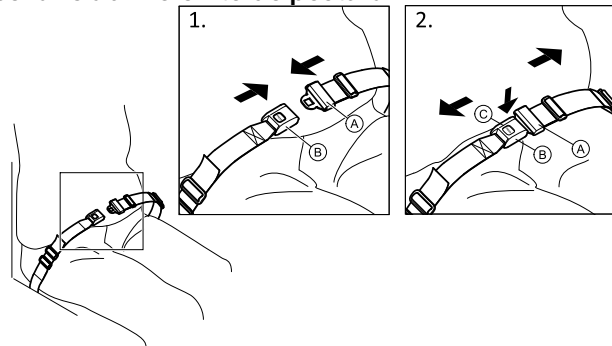
##### Risco de lesão grave/estrangulamento

Um cinto frouxo pode permitir que um utilizador escorregue para baixo, criando um risco de estrangulamento.

- O cinto de postura deve ser montado por um técnico qualificado e ajustado pelo responsável pela prescrição.
- Certifique-se sempre de que o cinto de postura está bem ajustado ao longo da parte inferior da pélvis.
- Verifique se o cinto de postura está bem ajustado, sempre que for utilizado. Alterações no assento e/ou no ângulo do encosto, na almofada e até no vestuário do utilizador influenciam o ajuste do cinto.



### Fechar e abrir o cinto de postura



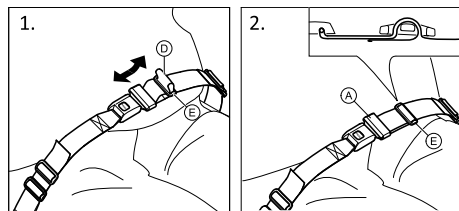
Certifique-se de que está totalmente encostado ao assento e que a pélvis está numa posição tão vertical e simétrica quanto possível.

1. Para fechar, empurre a lingueta **A** contra a fivela **B**.
2. Para abrir, empurre o botão PRESS **C** e puxe a lingueta **A** para fora da fivela **B**.

### Ajustar o comprimento



O cinto de postura tem um bom comprimento quando existe espaço suficiente para uma mão direita entre o corpo e o cinto.



1. Encurte ou alargue a alça ①, conforme necessário.
2. Passe a alça ① pela lingueta ② e pela fivela de plástico ③ até estar direita.

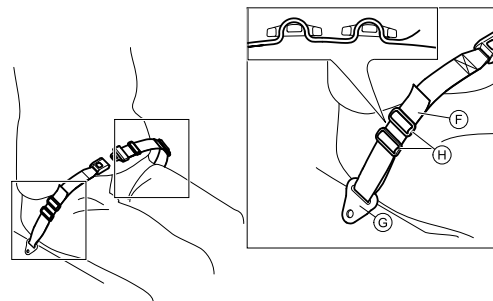
Se o ajuste não for suficiente, pode ser necessário reajustar o cinto de postura nas fixações.

### Encaixar o cinto de postura nas fixações



#### ATENÇÃO!

- Passe a alça do cinto através de ambas as fivelas de plástico para evitar que fique frouxo.
- Faça os ajustes de forma igual em ambos os lados, para que a fivela permaneça numa posição central.
- Certifique-se de que os cintos não ficam presos nos raios de uma roda traseira.



1. Passe a alça ④ através da fixação na cadeira ⑤ e, em seguida, por AMBAS as fivelas de plástico ⑥.

### 4.2 Bomba de ar

A bomba de ar vem equipada com uma ligação de válvula universal.

1. Retire a tampa anti-pó da ligação da válvula.
2. Pressione a ligação da válvula sobre a válvula aberta da roda e encha o pneu.

### 4.3 Reflectores

Poderá fixar reflectores nas rodas traseiras.



---

## 5 CONFIGURAÇÃO

---

### 5.1 Informações de segurança

**ATENÇÃO!****Risco de lesão**

- Antes de utilizar a cadeira de rodas, verifique a sua condição geral e as suas funções principais. Consulte a secção *8.2 Plano de manutenção, página 119*.

O seu fornecedor especialista irá facultar-lhe a sua cadeira de rodas pronta a utilizar. O fornecedor irá explicar as funções principais e irá assegurar que a cadeira de rodas preenche as suas necessidades e requisitos.

Os ajustes na posição do eixo e nos suportes da roda dianteira devem ser realizados por um fornecedor especialista.

## 6 UTILIZAR A CADEIRA

### 6.1 Informações de segurança



#### **ADVERTÊNCIA!**

##### **Risco de acidentes**

Uma pressão dos pneus irregular pode ter um impacto enorme no manuseamento.

- Verifique a pressão dos pneus antes de cada viagem.



#### **ADVERTÊNCIA!**

##### **Risco de queda para fora da cadeira de rodas**

Ao utilizar rodas dianteiras pequenas, a cadeira de rodas pode ficar presa em passeios ou em ranhuras do pavimento.

- Certifique-se de que as rodas dianteiras são adequadas para a superfície na qual está a conduzir.



#### **ATENÇÃO!**

##### **Risco de esmagamento**

Pode existir um espaço muito pequeno entre a roda traseira e o guarda-lama ou o travão de estacionamento, implicando o risco de entalamento dos seus dedos.

- Certifique-se de que impulsiona sempre a cadeira de rodas utilizando apenas os aros de mãos.

Em casos raros os materiais utilizados na cadeira de rodas podem ativar sistemas antirroubo e de deteção de metal.

### Sistemas antirroubo e de deteção de metal

## 6.2 Travagem durante a utilização

Quando se desloca, trava transferindo força para o aro de mão com as mãos.



### ADVERTÊNCIA!

#### Risco de capotagem

Se aplicar os travões de estacionamento enquanto se está deslocar, a direção dos movimentos pode ficar incontrollável e a cadeira de rodas pode parar subitamente, o que pode resultar numa colisão ou na sua queda.

- Nunca aplique os travões de estacionamento enquanto se está a deslocar.



### ADVERTÊNCIA!

#### Risco de queda para fora da cadeira de rodas

Se a cadeira de rodas for rapidamente desacelerada por um assistente ao puxar os punhos, o utilizador pode cair da cadeira de rodas.

- Coloque sempre o cinto de postura, caso disponível.
- Certifique-se de que o assistente recebeu formação individual sobre a transferência de cadeiras de rodas ocupadas.



### ATENÇÃO!

#### Risco de queimaduras nas mãos

Se travar durante muito tempo, será produzido muito calor por fricção nos aros de mãos (especialmente nos modelos Supergripp).

- Use luvas adequadas.

1. Agarre os aros de mãos e pressione de modo uniforme com ambas as mãos até a cadeira de rodas parar.

## 6.3 Sentar-se e levantar-se da cadeira de rodas



### ADVERTÊNCIA!

#### Risco de capotagem

Existe um risco elevado de capotagem durante a transferência.

- Para sentar-se e levantar-se sem assistência, é necessário estar fisicamente apto para o fazer.
- Quando se mudar, coloque-se o mais recuado possível no assento. Isto previne que os estofos se danifiquem, além da possibilidade de a cadeira de rodas tombar para a frente.
- Certifique-se de que ambos os rodízios estão voltados para a frente.



### **ADVERTÊNCIA!**

#### **Risco de capotagem**

A cadeira de rodas pode tombar para a frente se o utilizador se puser de pé no apoio de pés.

- Nunca se ponha de pé no apoio de pés ao sentar-se e levantar-se.



### **ATENÇÃO!**

Se soltar ou danificar os travões, a cadeira de rodas pode deslizar sem controlo.

- Não se apoie nos travões ao sentar-se e levantar-se.



### **IMPORTANTE!**

Os guarda-lamas e os apoios de braços podem ficar danificados.

- Nunca se sente nos guarda-lamas ou nos apoios de braços ao sentar-se e levantar-se.

1. Desloque a cadeira de rodas o mais perto possível do assento para o qual pretende transferir o corpo.
2. Aplique os travões de estacionamento.
3. Remove os apoios de braços ou rode-os para cima para desimpedir a saída.
4. Coloque os pés no chão.
5. Segure a cadeira de rodas e, se necessário, apoie-se num objeto fixo na vizinhança.
6. Afaste-se lentamente da cadeira de rodas.



## 6.4 Condução e manobra da cadeira de rodas

O utilizador conduz e manobra a cadeira de rodas utilizando os aros motores.

Antes de conduzir sem a ajuda de um assistente tem de localizar o ponto de basculação da cadeira de rodas.



### ADVERTÊNCIA!

#### Risco de basculação

A cadeira de rodas pode tombar para trás se não estiver equipada com um dispositivo antiqueda. Enquanto tenta localizar o ponto de basculação, deve existir um assistente atrás da cadeira de rodas para a segurar se esta tombar.

- Para impedir que tombe, instale um dispositivo antiqueda.



### ADVERTÊNCIA!

#### Risco de basculação

A cadeira de rodas pode tombar para a frente.

- Ao preparar a cadeira de rodas, teste o seu comportamento basculante para a frente e ajuste o estilo de condução em conformidade.



### ATENÇÃO!

Uma carga pesada pendurada no encosto pode afetar o centro de gravidade da cadeira de rodas.

- Adapte o estilo de condução em conformidade.

## Localização do ponto de basculação



1. Solte o travão.
2. Desloque-se ligeiramente para trás, agarre ambos os aros motores com firmeza e impulse para a frente com um ligeiro pontapé.
3. A deslocação de peso e a condução nas direções opostas com os aros motores irão permitir-lhe identificar o ponto de basculação.

## 6.5 Passar sobre degraus e bordas do passeio



### ADVERTÊNCIA!

#### Risco de queda

Ao passar sobre degraus, poderá perder o equilíbrio e tombar com a cadeira de rodas.

- Passe sobre os degraus e as bordas de passeio lentamente e com cuidado.
- Não passe sobre degraus que sejam mais altos do que 25 cm.



### ATENÇÃO!

Uma roda anti-volteio activa evita que a cadeira de rodas possa tombar para trás.

- Desactive a roda anti-volteio sempre que tiver de conduzir sobre um degrau ou a borda de um passeio.

## Com acompanhante



### Descer um degrau

1. Conduza a cadeira de rodas até à borda e agarre-se aos aros motores.
2. O acompanhante segura ambos os punhos, coloca um pé junto da roda anti-volteio (caso montada) e inclina a cadeira de rodas para trás, de forma a levantar as rodas dianteiras do chão.
3. O acompanhante segura a cadeira de rodas nesta posição, empurra-a cuidadosamente para descer o degrau e inclina a cadeira para a frente até as rodas dianteiras tocarem novamente no chão.

## Subir um degrau



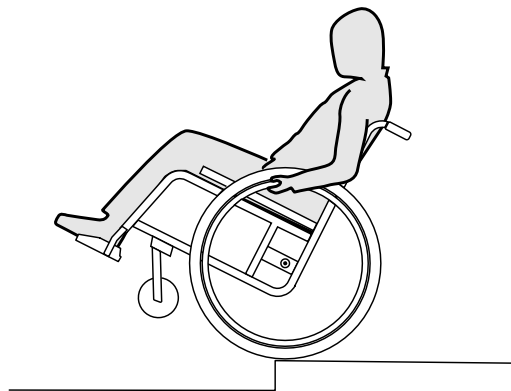
### **ADVERTÊNCIA!** **Risco de lesões graves**

A condução sobre degraus e lances pode resultar em danos precoces por fadiga no encosto da cadeira de rodas.

- O utilizador pode cair para fora da cadeira de rodas.

1. Conduza a cadeira de rodas de forma a que as rodas traseiras atinjam a borda.
2. Segurando ambos os punhos, o acompanhante inclina a cadeira de rodas de forma a que as rodas dianteiras se ergam do chão e empurra as rodas traseiras sobre a borda até que as rodas dianteiras possam ser colocadas no chão.

## Sem acompanhante



### **ADVERTÊNCIA!** **Risco de queda**

Quando desce um degrau sem o auxílio de um acompanhante, poderá tombar para trás, caso não domine a cadeira de rodas.

- Aprenda, em primeiro lugar, como descer um degrau com o auxílio de um acompanhante.
- Aprenda a equilibrar-se com as rodas traseiras, *6.4 Condução e manobra da cadeira de rodas, página 109*.

## Descer um degrau

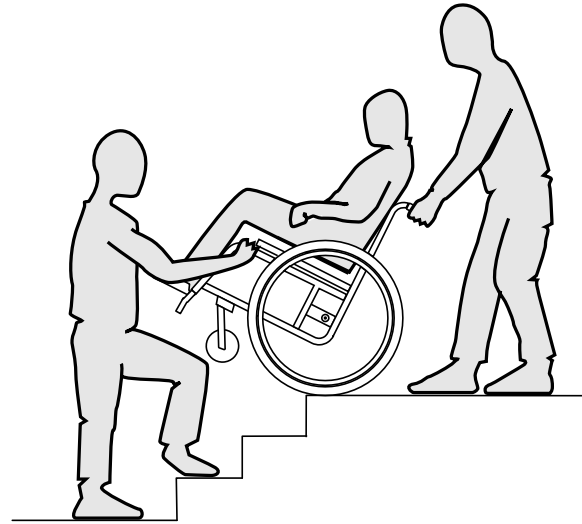
1. Conduza a cadeira de rodas até à borda, levante as rodas dianteiras e equilibre-se.
2. Agora, com cuidado, passe com ambas as rodas traseiras sobre a borda. Ao fazê-lo, agarre-se bem aos aros motores até as rodas dianteiras tocarem novamente no chão.

## 6.6 Passar sobre escadas



### **ADVERTÊNCIA!** **Risco de queda**

Ao passar sobre escadas, poderá perder o equilíbrio e cair com a cadeira de rodas.  
– Tente passar sobre escadas sempre com o auxílio de dois acompanhantes.



1. As escadas podem ser ultrapassadas, na medida em que se passa um degrau de cada vez, tal como acima descrito. Para tal, o primeiro acompanhante deve colocar-se atrás da cadeira de rodas e segurá-la pelos punhos. O segundo acompanhante segura numa parte fixa do chassis dianteiro, estando, assim, a cadeira de rodas segura pela frente.



## 6.7 Conduzir sobre rampas e subidas



### ADVERTÊNCIA!

#### Risco causado por condução descontrolada

Em subidas ou descidas, a cadeira de rodas pode tombar para trás, para o lado ou para a frente.

- Tente subir as longas inclinações sempre com o auxílio de um acompanhante atrás da cadeira.
- Evite inclinações laterais.
- Evite as subidas com uma inclinação superior a 7°.
- Em subidas, evite mudar de direcção de repente.



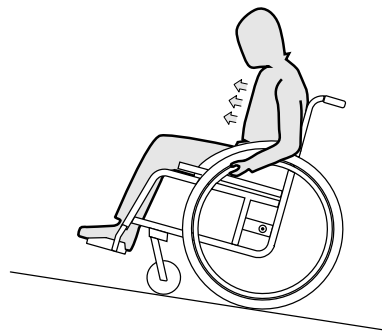
### ATENÇÃO!

Mesmo em descidas não muito acentuadas, A cadeira pode deslizar se não a controlar através dos aros motores.

- Accione o travão de estacionamento quando estiver parado com a cadeira em descidas.

### Subir

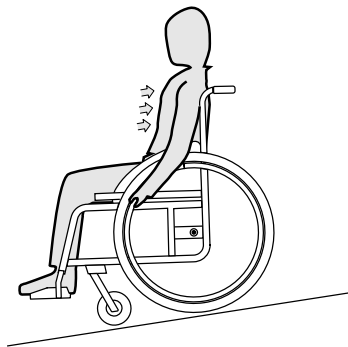
Para conduzir a subir, tem de tomar balanço, manter o balanço e, simultaneamente, controlar a direcção.



1. Incline a parte superior do corpo para a frente e conduza a cadeira com empurrões rápidos e fortes nos aros motores.

### Descer

Ao descer, é importante controlar a direcção e, sobretudo, a velocidade.



1. Encoste-se e deixe os aros motores deslizarem cuidadosamente pelas suas mãos. Deverá sempre conseguir parar a cadeira de rodas ao segurar os aros motores.



**ATENÇÃO!**  
**Risco de queimadura**

Os aros (especialmente os MaxGrepp e os Supergripp) podem aquecer quando trava durante algum tempo. Poderá queimar as palmas das mãos.

- Utilize luvas adequadas.

## 6.8 Estabilidade e equilíbrio enquanto está sentado

Nalgumas actividades e acções do quotidiano, torna-se necessário debruçar-se da cadeira de rodas, para a frente, para o lado ou para trás. Isto influencia muito a estabilidade da cadeira de rodas. De forma a manter sempre o equilíbrio, tenha em atenção o seguinte:

### Debruçar-se para a frente

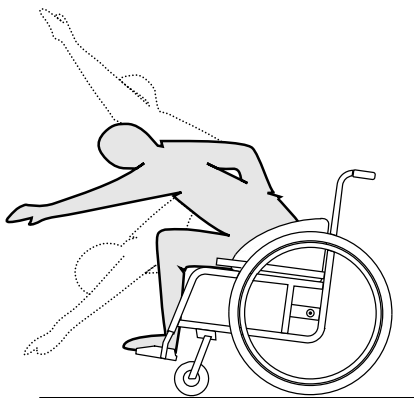


**ADVERTÊNCIA!**

**Risco de queda**

Quando se debruça da cadeira de rodas, poderá cair da mesma.

- Não se incline demasiado para a frente e não deslize para a frente no assento para chegar a um objecto.
- Não se incline entre os joelhos para a frente para apanhar um objecto do chão.



1. Posicione as rodas dianteiras para a frente. (Para tal, ande um pouco com a cadeira de rodas para a frente e depois para trás.)
2. Accione ambos os travões de estacionamento.
3. Debruce-se para a frente apenas até a parte superior do seu corpo ficar sobre as rodas dianteiras.

### Estender a mão para trás para alcançar um objecto

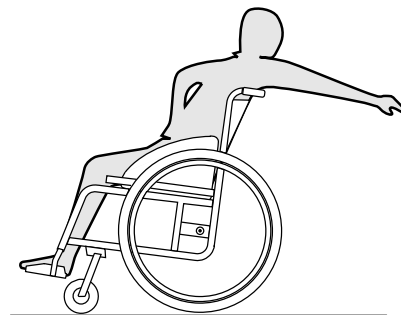


#### **ADVERTÊNCIA!**

#### **Risco de queda**

Se se inclinar demasiado para trás, poderá cair com a cadeira.

- Não se debruce para além do encosto da cadeira.
- Utilize um mecanismo anti-volteio.



1. Posicione as rodas dianteiras para a frente. (Para tal, ande um pouco com a cadeira de rodas para a frente e depois para trás.)
2. Não accione os travões de estacionamento.
3. Estenda ao máximo a mão para trás sem alterar a sua posição no assento.

## 7 TRANSPORTE

### 7.1 Informações de segurança



#### **ADVERTÊNCIA!**

#### **Risco de lesão se a cadeira de rodas não estiver fixada durante o transporte**

A sua cadeira de rodas não foi concebida para o transporte de passageiros em veículos. Em caso de acidente, pode sofrer uma lesão grave.

- Durante o transporte, sente-se num assento devidamente fixado, não na cadeira de rodas.



#### **ADVERTÊNCIA!**

#### **Risco de lesão se a cadeira de rodas não estiver devidamente fixada**

Em caso de acidente, manobra de travagem, etc., o utilizador pode sofrer lesões graves devido à projeção de peças da cadeira de rodas pelo ar.

- Retire sempre as rodas traseiras quando transportar a cadeira de rodas.
- Prenda com firmeza todos os componentes da cadeira de rodas para prevenir que se soltem durante a viagem.



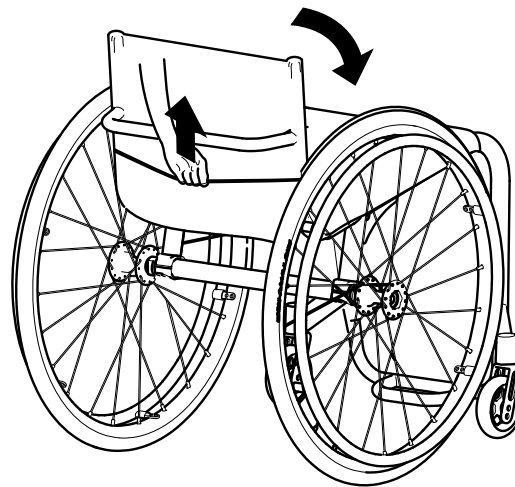
#### **IMPORTANTE!**

A utilização excessiva e a abrasão podem afetar a resistência das peças de suporte de carga.

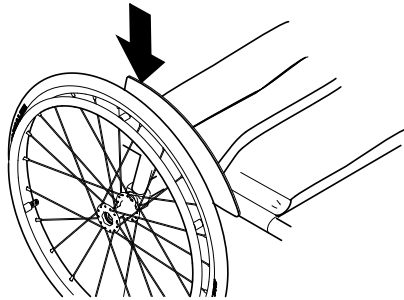
- Não puxe a cadeira de rodas por superfícies abrasivas sem as rodas colocadas (por exemplo, puxar o chassis sobre asfalto).

### 7.2 Encosto rebatível (opcional)

#### **Dobrar e levantar o encosto**



1. Para dobrar o encosto, puxe o tirante da parte traseira da cadeira de rodas e puxe este para cima.
2. Pressione ao mesmo tempo a parte de cima do encosto para a frente.



3. Pressione as partes laterais dos dois lados (resguardo de roupa e guarda-lamas) para baixo até ao fim, para que o encosto se fixe na posição dobrada. A cadeira de rodas pode ser pegada agora pela pega traseira do encosto.



Se estiver montado um guarda-lamas, terá primeiro que puxar as rodas para fora ou então retirá-las, para que possa descer o guarda-lamas o máximo possível.

4. Para levantar o encosto, pegue na pega traseira da cadeira de rodas e puxe esta para cima.
5. Pegue simultaneamente na parte de cima do encosto e levante o encosto.

6. Pressione as partes laterais para baixo até estas encaixarem.
7. Se soltou as rodas traseiras, volte agora a fixá-las.

### 7.3 Remover e instalar as rodas traseiras

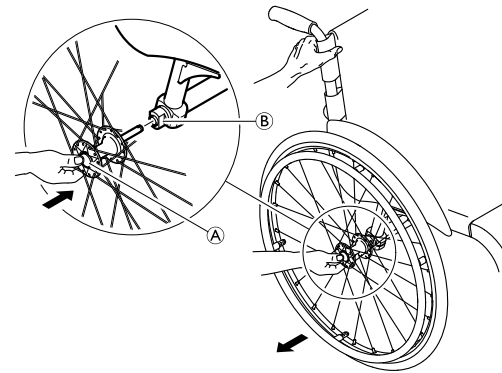


#### ADVERTÊNCIA!

#### Risco de capotagem

Se o eixo removível de uma roda traseira não estiver totalmente encaixado, a roda pode soltar-se durante a utilização. Tal poderá resultar em capotagem.

- Certifique-se sempre de que os eixos removíveis estão totalmente engatados sempre que instalar uma roda.



### **Remover as rodas traseiras**

1. Desengate os travões de estacionamento.
2. Com uma mão, segure a cadeira de rodas na posição vertical.
3. Com a outra mão, segure a roda através do suporte externo do aro, em redor do cubo da roda.
4. Com o polegar, prima o botão de eixo removível **(A)**. Mantenha o botão premido e puxe a roda para fora do tubo adaptador **(B)**.

### **Instalar as rodas traseiras**

1. Desengate os travões de estacionamento.
2. Com uma mão, segure a cadeira de rodas na posição vertical.
3. Com a outra mão, segure a roda através do suporte externo do aro, em redor do cubo da roda.
4. Com o polegar, mantenha o botão do eixo removível **(A)** premido.
5. Introduza o eixo no tubo adaptador **(B)** até à marca de paragem.
6. Solte o botão do eixo removível e certifique-se de que a roda está fixa.

## 8 MANUTENÇÃO

### 8.1 Informações de segurança



#### ADVERTÊNCIA!

Alguns materiais podem deteriorar-se naturalmente com o tempo. Isto pode resultar em danos nos componentes da cadeira de rodas.

- A cadeira de rodas deve ser verificada por um fornecedor especialista pelo menos uma vez por ano ou se não tiver sido utilizada por um período longo.



O fornecedor especialista kuschall pode facultar ajuda para a execução das operações regulares de manutenção. Para localizar um fornecedor especialista autorizado perto de si, contacte o distribuidor kuschall do seu país (fim deste documento).

### 8.2 Plano de manutenção

Para assegurar um funcionamento seguro e fiável, execute as verificações e as operações de manutenção seguintes regularmente ou providencie a sua execução por outra pessoa.

	semanal- mente	mensal- mente	anual- mente
Verificar a pressão dos pneus	x		
Verificar se as rodas traseiras assentam corretamente	x		
Verificar o cinto de postura	x		
Verificação visual		x	
Verificar as rodas dianteiras		x	
Verificar parafusos		x	
Verificar raios		x	
Verificar travões de estacionamento		x	
Providenciar a verificação da cadeira de rodas por um fornecedor especialista			x

### Verificar a pressão dos pneus

1. Verifique a pressão dos pneus.



Consulte a secção "Pneus", para obter mais informações.

2. Encha os pneus à pressão necessária.
3. Ao mesmo tempo, verifique a banda de rodagem.
4. Se necessário, substitua os pneus.

### Verificar se as rodas traseiras assentam corretamente

1. Puxe a roda traseira para confirmar que o eixo removível assenta corretamente. A roda não deve sair.
2. Se as rodas traseiras não estiverem bem engatadas, remova qualquer sujidade ou depósitos. Se o problema persistir, providencie a reinstalação dos eixos removíveis por um fornecedor especialista.

### Verificar o cinto de postura

1. Verifique se o cinto de postura está ajustado corretamente.



#### IMPORTANTE!

- Os cintos de postura soltos devem ser ajustados por um fornecedor especialista.
- Os cintos de postura danificados devem ser substituídos por um fornecedor especialista.
- Os cintos de postura devem ser sempre instalados por um fornecedor especialista.

### Verificação visual

1. Examine a sua cadeira de rodas quanto a peças soltas, fissuras ou outros defeitos.
2. Se detetar algo, providencie o exame imediato da cadeira de rodas por um fornecedor especialista.

### Verificar as rodas dianteiras

1. Verifique se as rodas dianteiras giram livremente.
2. Remova qualquer sujidade ou cabelos dos rolamentos das rodas dianteiras.
3. As rodas dianteiras defeituosas ou gastas têm de ser substituídas por um fornecedor especialista.

### Verificar os parafusos

Os parafusos podem afrouxar devido à utilização intensiva.

1. Verifique se os parafusos estão apertados (no apoio de pés, na capa do assento, nos lados, no encosto, no chassis e no módulo do assento).
2. Aperte todos os parafusos soltos com o torque adequado. Para tal consulte o manual de assistência, disponível na internet em [www.kuschall.com](http://www.kuschall.com).



#### IMPORTANTE!

- As porcas e os parafusos de segurança perdem a sua eficácia em resultado de serem repetidamente desapertados e apertados.
  - As porcas e os parafusos de segurança têm de ser substituídos por um fornecedor especialista.

### Verificar a tensão dos raios

Os raios não devem estar soltos nem tortos.

1. Os raios soltos têm de ser apertados por um fornecedor especialista.
2. Os raios partidos têm de ser substituídos por um fornecedor especialista.



### Verificar os travões de estacionamento

1. Verifique se os travões de estacionamento estão posicionados corretamente. Se o travão de estacionamento estiver posicionado corretamente, o seu calço baixa o pneu alguns milímetros quando o travão de estacionamento é engatado.
2. Se considerar que a regulação não está correta, providencie a regulação correta dos travões de estacionamento por um fornecedor especialista.

#### ! IMPORTANTE!

Os travões de estacionamento têm de ser novamente regulados após a substituição das rodas traseiras ou a alteração da sua posição.

### Verificar após uma forte colisão ou impacto

#### ! IMPORTANTE!

A cadeira de rodas pode sofrer danos invisíveis em resultado de uma colisão ou impacto forte.

- É essencial a verificação da cadeira de rodas por um fornecedor especialista após uma colisão ou impacto forte.

### Reparar ou substituir um tubo interno

1. Remova a roda traseira e solte qualquer ar do tubo interno.
2. Afaste a parede do pneu do aro utilizando uma alavanca para pneus de bicicleta. Não utilize objetos afiados, tal como uma chave de parafusos, pois podem danificar o tubo interno.
3. Retire o tubo interno do pneu.

4. Repare o tubo interno utilizando um kit de reparação para bicicletas ou, se necessário, substitua o tubo.
5. Encha o tubo ligeiramente até ficar redondo.
6. Insira a válvula no orifício da válvula no aro e coloque o tubo no interior do pneu (o tubo deve ficar totalmente ajustado ao pneu sem vincos).
7. Levante a parede do pneu por cima do aro. Comece perto da válvula e utilize uma alavanca para pneus de bicicleta. Ao efetuar esta operação, verifique todo o contorno para assegurar que o tubo interno não fica preso entre o pneu e o aro.
8. Encha o pneu até à pressão máxima de funcionamento. Verifique se não sai nenhum ar do pneu.

### Peças sobressalentes



Todas as peças sobressalentes podem ser obtidas junto de um fornecedor especialista da Kuschall. Uma lista atual de peças sobressalentes está disponível na Internet em [www.kuschall.com](http://www.kuschall.com).

### 8.3 Limpeza

A sua cadeira de rodas irá servi-lo bem por muitos anos se a limpar regularmente.

#### ! IMPORTANTE!


A areia e a água do mar podem danificar os rolamentos e as peças de aço podem enferrujar se a superfície estiver danificada.

- A cadeira de rodas só deverá ser exposta a areia e a água do mar durante períodos breves e deverá ser limpa após cada ida à praia.

### **!** IMPORTANTE!

- Não utilize substâncias abrasivas, produtos de limpeza agressivos ou agentes de limpeza a alta pressão. Não utilize produtos ácidos, alcalinos ou solventes, tal como a acetona ou diluentes celulósicos.
- Utilize sempre agentes de limpeza doméstica normais.

1. Limpe as almofadas e as peças metálicas com um pano húmido macio.
2. Seque a cadeira de rodas cuidadosamente com um pano após utilizá-la à chuva.
3. Se a cadeira de rodas estiver suja, limpe a sujidade assim que for possível com um pano húmido e seque cuidadosamente.

 A limpeza regular irá revelar as peças soltas ou gastas e melhora o funcionamento correto da cadeira de rodas. De forma a funcionar corretamente e com segurança, a cadeira de rodas deverá receber os mesmos cuidados de conservação que qualquer outro veículo. Caso os estofos estejam muito manchados ou o acabamento de superfície apresente muitos danos, contacte um fornecedor autorizado para obter informações adicionais.

### **Limpeza dos estofos**

Para limpar os estofos, consulte as instruções na etiqueta do assento, na almofada e na capa do encosto.

### **Limpeza das superfícies metálicas**

Para limpar as superfícies metálicas, utilize água quente e um detergente suave num pano macio.

1. Limpe com o pano humedecido.
2. Seque a superfície utilizando um pano seco.

Para remover abrasões e restaurar o brilho, deve utilizar polimento para automóveis e cera suave.

### **Limpeza das superfícies de plástico**

As superfícies de plástico têm de ser limpas com pano macio, detergente suave e água quente.


### **!** IMPORTANTE!

- Não utilize solventes ou agentes de limpeza de cozinha para limpar as superfícies de plástico.

1. Enxague a superfície com água quente.
2. Seque a superfície utilizando um pano seco.

## **8.4 Desinfecção**

A cadeira de rodas pode ser desinfetada através de aspersão ou limpeza manual com desinfetantes testados e aprovados.

 O Instituto Robert Koch criou uma lista de desinfetantes atualmente aprovados, disponível em [www.rki.de](http://www.rki.de).

## 9 APÓS A UTILIZAÇÃO

### 9.1 Armazenamento



#### IMPORTANTE!

Risco de danos no produto

- Não armazene o produto junto a fontes de calor.
- Nunca armazene outros artigos em cima da cadeira de rodas.
- Armazene a cadeira de rodas no interior e num ambiente seco.
- Consulte as limitações de temperatura no capítulo *11.2 Condições ambientais, página 128*

Após o armazenamento de longa duração (mais de quatro meses), a cadeira de rodas deve ser inspecionada em conformidade com o capítulo *8 Manutenção, página 119*.

### 9.2 Reutilização

A cadeira de rodas é adequada para reutilização. Devem ser realizadas as seguintes ações:

- Limpeza e desinfeção; consulte as secções *8.3 Limpeza, página 121* e *8.4 Desinfeção, página 122* neste manual).
- Inspeção; consulte a secção *8.2 Plano de manutenção, página 119* neste manual.

- A cadeira de rodas deve ser adaptada ao novo utilizador em conformidade com a documentação de assistência (disponível junto do distribuidor da küschall no seu país).

### 9.3 Informações de eliminação

Seja consciente em termos ambientais e elimine a sua cadeira de rodas de forma adequada. A eliminação está sujeita a regulamentos nacionais e locais.



Para uma eliminação correta, contacte o seu fornecedor especialista ou informe-se sobre as empresas locais de gestão de resíduos junto da sua câmara municipal.

---

## 10 RESOLUÇÃO DE PROBLEMAS

---

### 10.1 Informações de segurança

Pode surgir falhas em resultado da utilização diária, de ajustes ou das exigências variáveis a que a cadeira de rodas é submetida. A tabela abaixo indica como identificar e reparar falhas.



#### **ATENÇÃO!**

- Contacte o fornecedor especialista imediatamente caso se aperceba de uma falha com a sua cadeira de rodas; por exemplo, uma alteração significativa no manuseamento.



#### **IMPORTANTE!**

- Algumas das ações listadas têm de ser efetuadas por um fornecedor especialista. Essas ações são indicadas. Recomendamos que *todos* os ajustes sejam efetuados por um fornecedor especialista.

## 10.2 Identificar e reparar falhas

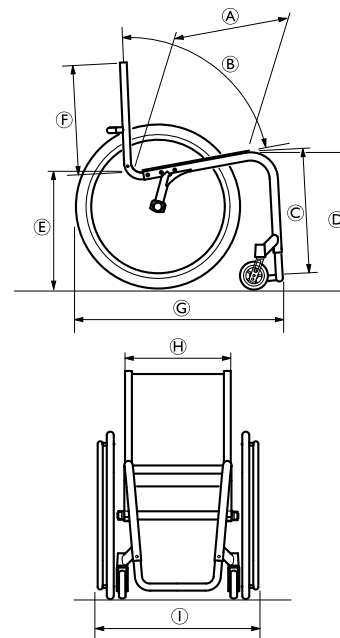
Falha	Causa possível	Ação
A cadeira de rodas não se desloca em linha reta	Pressão do pneu incorreta numa roda traseira	Corrigir a pressão dos pneus, ® 3.7 Pneus, página 100
	Um ou mais raios partidos	Substituir raio(s) defeituoso(s), ® fornecedor especialista
	Raios apertados de modo irregular	Apertar os raios soltos, ® fornecedor especialista
	Suporte da roda dianteira alinhado incorretamente	Corrigir a posição e alinhamento do suporte da roda dianteira, ® fornecedor especialista
	Os rolamentos da roda dianteira estão sujos ou danificados	Limpar ou substituir os rolamentos, ® fornecedor especialista
	As rodas traseiras estão fora da guia	Substituir a guia, ® fornecedor especialista
	Rodas dianteiras não ajustadas para a mesma altura	Posicionar as rodas dianteiras de modo a tocar no chão ao mesmo tempo, ® fornecedor especialista
A cadeira de rodas inclina-se para trás com demasiada facilidade	As rodas traseiras estão montadas demasiado à frente	Montar as rodas traseiras mais atrás, ® fornecedor especialista
	Ângulo do encosto demasiado grande	Reduzir o ângulo do encosto, ® fornecedor especialista
	A geometria do chassis não cumpre as especificações	Montar as rodas traseiras mais atrás, ® fornecedor especialista
Não é possível inserir os eixos removíveis corretamente	Eixos removíveis sujos	Limpar os eixos removíveis
	Eixos removíveis desalinhados	Ajustar os eixos removíveis, ® fornecedor especialista

<b>Falha</b>	<b>Causa possível</b>	<b>Ação</b>
Os travões de estacionamento bloqueiam de forma deficiente ou assimétrica	Pressão do pneu incorreta em um ou ambos os pneus traseiros	Corrigir a pressão dos pneus, ® 3.7 Pneus, página100
	Regulação do travão de estacionamento incorreta	Corrigir a regulação do travão de estacionamento, ® fornecedor especialista
Resistência de rolamento muito elevada	Pressão dos pneus traseiros demasiado baixa Pneu furado	Corrigir a pressão do pneu ou substituir o tubo no interior do pneu, ® 3.7 Pneus, página100
	Rodas traseiras não paralelas	Assegurar que as rodas traseiras estão paralelas, ® fornecedor especialista
As rodas dianteiras oscilam quando se desloca com rapidez	Pouca tensão no bloco de encaixe das rodas dianteiras	Apertar ligeiramente a porca no eixo do bloco de encaixe,® fornecedor especialista
	Roda dianteira gasta	Substituir a roda dianteira, ® fornecedor especialista
A roda dianteira está perra ou presa	Os rolamentos estão sujos ou defeituosos	Limpar ou substituir os rolamentos, ® fornecedor especialista

## 11 CARACTERÍSTICAS TÉCNICAS

### 11.1 Dimensões e peso

Todas as dimensões e especificações de peso dizem respeito a uma largura do assento de 400 mm e a uma profundidade do assento de 410 mm na configuração mais leve da cadeira de rodas. A dimensão e o peso podem ser alterados consoante as diferentes configurações.



Ⓐ	Profundidade do assento	385 – 485 mm, em incrementos de 25 mm
Ⓑ	Ângulo do encosto	74°/78°/82°/86°/90°
Ⓒ	Comprimento da distância do joelho ao calcanhar	350 – 500 mm, em incrementos de 10 mm
Ⓓ	Parte frontal da altura do assento	450 – 530 mm, em incrementos de 10 mm
Ⓔ	Parte traseira da altura do assento	400 – 480 mm, em incrementos de 10 mm
Ⓕ	Altura do encosto	270 – 420 mm, em incrementos de 15 mm
Ⓖ	Comprimento total	75°: aprox. 800 mm 90°: aprox. 730 mm
Ⓗ	Largura do assento	340 – 440 mm, em incrementos de 20 mm
Ⓘ	Largura total	Largura do assento + 170 mm
	Peso total	aprox. 6,8 kg
	Peso de transporte (sem as rodas traseiras)	aprox. 4,3 kg
	Peso máximo do utilizador	100 kg
	Centro de gravidade	80 – 140 mm, em incrementos de 15 mm

	Largura de reversão	920 – 1230 mm
	Inclinação máxima de segurança	7°

## 11.2 Condições ambientais

Não exponha a cadeira de rodas a temperaturas abaixo dos -20 °C ou acima dos 40 °C.

## 11.3 Materiais

Os componentes utilizados para fabricar as cadeiras kuschall são constituídos pelos seguintes materiais:

Tubos do chassis	Alumínio
Tubos do encosto	Alumínio
Tubo do eixo	Fibra de carbono
Capa do assento/Capa do encosto	PA/PE/PVC
Punho	Aço/Alumínio/TPE
Guarda lateral/Guarda-lama	Fibra de carbono
Forquetas das rodas dianteiras	Alumínio
Tubo do apoio de pés	Alumínio /Titânio
Placa de pé	Fibra de carbono



Peças de suporte/Acessórios	Aço/Alumínio
Parafusos e pinos	Aço

Todos os componentes têm um revestimento de proteção ou são resistentes à corrosão.

Notes



Notes

Notes

Küschall distributors:

**Asia:**

Invacare Asia Ltd.  
1 Lenton Place, North Rocks NSW 2151  
Australia  
Phone: (61) (02) 8839 5333  
Fax: (61) (02) 8839 5343  
asiasales@invacare.com  
www.invacare.com

**Ireland:**

Invacare Ireland Ltd,  
Unit 5 Seatown Business Campus  
Seatown Road, Swords, County Dublin  
Tel : (353) 1 810 7084  
Fax: (353) 1 810 7085  
ireland@invacare.com  
www.invacare.ie

**United Kingdom:**

Invacare Limited  
Pencoed Technology Park, Pencoed  
Bridgend CF35 5AQ  
Tel: (44) (0) 1656 776 222  
Fax: (44) (0) 1656 776 220  
uk@invacare.com  
www.invacare.co.uk

**Australia:**

Invacare Australia Pty. Ltd.  
1 Lenton Place, North Rocks NSW 2151  
Australia  
Phone: 1800 460 460  
Fax: 1800 814 367  
orders@invacare.com.au  
www.invacare.com.au

**New Zealand:**

Invacare New Zealand Ltd  
4 Westfield Place, Mt Wellington 1060  
New Zealand  
Phone: 0800 468 222  
Fax: 0800 807 788  
sales@invacare.co.nz  
www.invacare.co.nz

**España:**

Invacare SA  
c/Areny s/n, Polígon Industrial de Celrà  
E-17460 Celrà (Girona)  
Tel: (34) (0)972 49 32 00  
Fax: (34) (0)972 49 32 20  
contactsp@invacare.com  
www.invacare.es

**Portugal:**

Invacare Lda  
Rua Estrada Velha, 949  
P-4465-784 Leça do Balio  
Tel: (351) (0)225 1059 46/47  
Fax: (351) (0)225 1057 39  
portugal@invacare.com  
www.invacare.pt



Invacare France Operations  
Route de St Roch  
F-37230 Fondettes  
France

1583553-D 2018-08-29

