



Yes, you can.®

# ***Spare Parts Catalogue***

---

Version: 2010/10/20a EN



**Yes, you can.®**

## **General Information**

*For any order of spare parts the following information is required:*

- Product type*
- Product name & model*
- Serial Number*
- Part-Number*
- Part-Description*

*Exploded view drawings and code numbers are not contractual and subject to modification, in relation to Invacare® continuous product improvement policy to meet end users needs.*

*The reproduction or use of this work, or of any substantial part of this work, in any form or by any electronic, mechanical or other means, including photocopying, scanning and recording, and in any information storage and retrieval system, including electronic transmission, is forbidden without the prior written permission of Invacare® International Sarl.*



**Yes, you can.®**

## **TABLE OF CONTENTS**

---

### **Information**

### **Base and Leg**

|  |   |
|--|---|
| Base assembly with electrical leg Roze ..... | 5 |
| Moteur actuator for electrical leg .....     | 6 |

### **Electrical Parts**

|                     |   |
|---------------------|---|
| Control units ..... | 7 |
|---------------------|---|

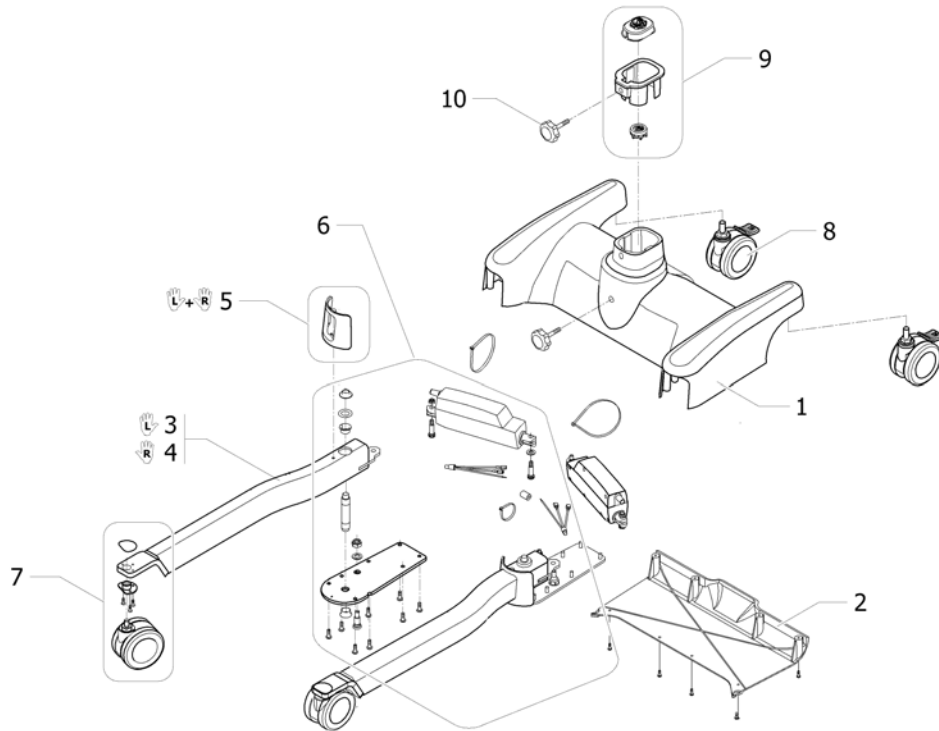
### **Mast**

|                                       |    |
|---------------------------------------|----|
| Mast assembly .....                   | 8  |
| Knee pad and footplate assembly ..... | 9  |
| Motor mast and lifting arm .....      | 10 |

### **Accessories**



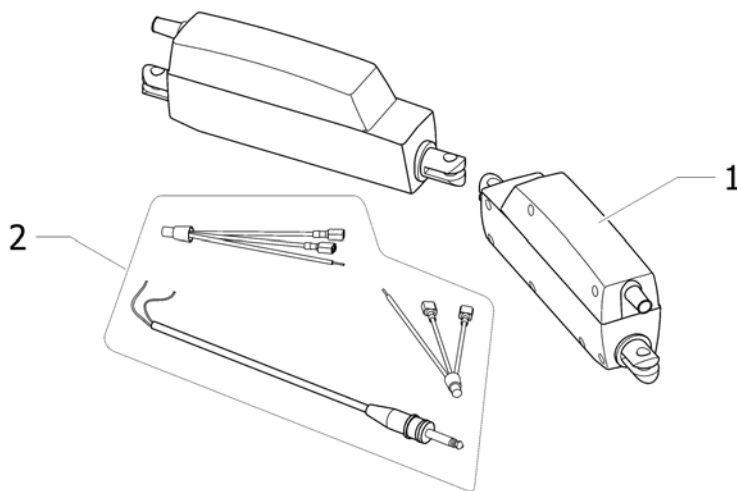
## Base assembly with electrical leg Roze



1595-1545561-.....

| Pos. | Part number | Description                          | Valid from → until | Qty |
|------|-------------|--------------------------------------|--------------------|-----|
| 1    | 1148593     | Base aluminum                        |                    | 1   |
| 2    | 1148607     | Cover base plastic blue              |                    | 1   |
| 3    | 1146887     | Leg assembly full body Roze white Lh |                    | 1   |
| 4    | 1146888     | Leg Assembly full fody Roze white Rh |                    | 1   |
| 5    | 1161591     | Kit toe protection (Pair)            |                    | 1   |
| 6    | 1169844     | Kit base hardware (Pair)             |                    | 1   |
| 7    | 1161582     | Kit front castor and hardware (Pair) |                    | 1   |
| 8    | 1148605     | Castor rear with M12 Bolt            |                    | 2   |
| 9    | 1161588     | Kit mast/base socket                 |                    | 1   |
| 10   | 1148489     | Knob M8                              |                    | 2   |

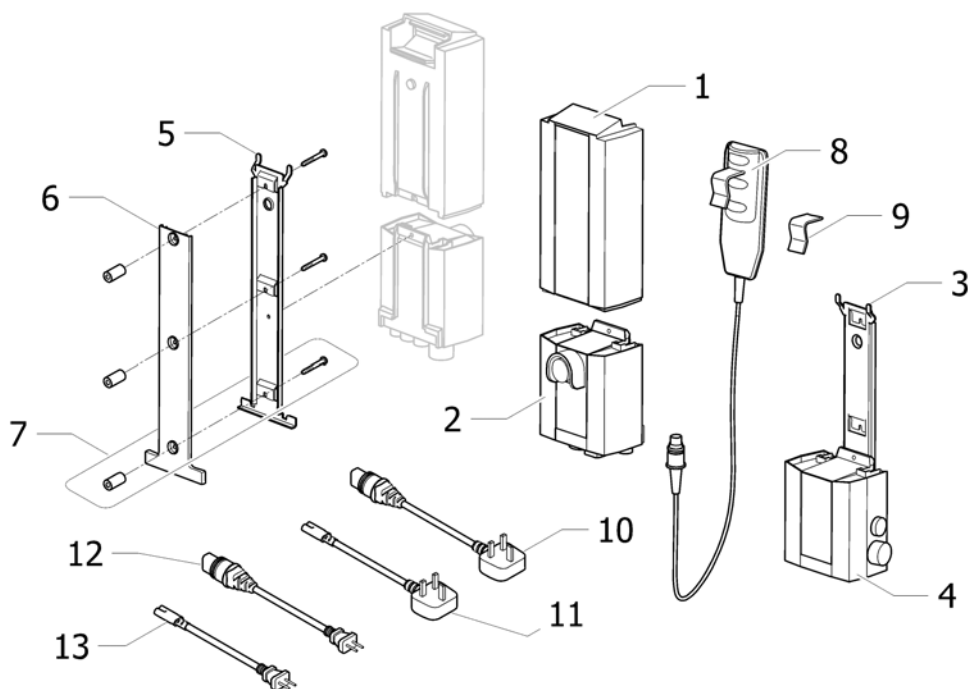
# Moteur actuator for electrical leg



!SPS1545512

| Pos. | Part number | Description                | Valid from → until | Qty |
|------|-------------|----------------------------|--------------------|-----|
| 1    | 1148482     | Motor 120218-00 LINAK LA12 |                    | 2   |
| 2    | 1161583     | Kit controller wire        |                    | 1   |

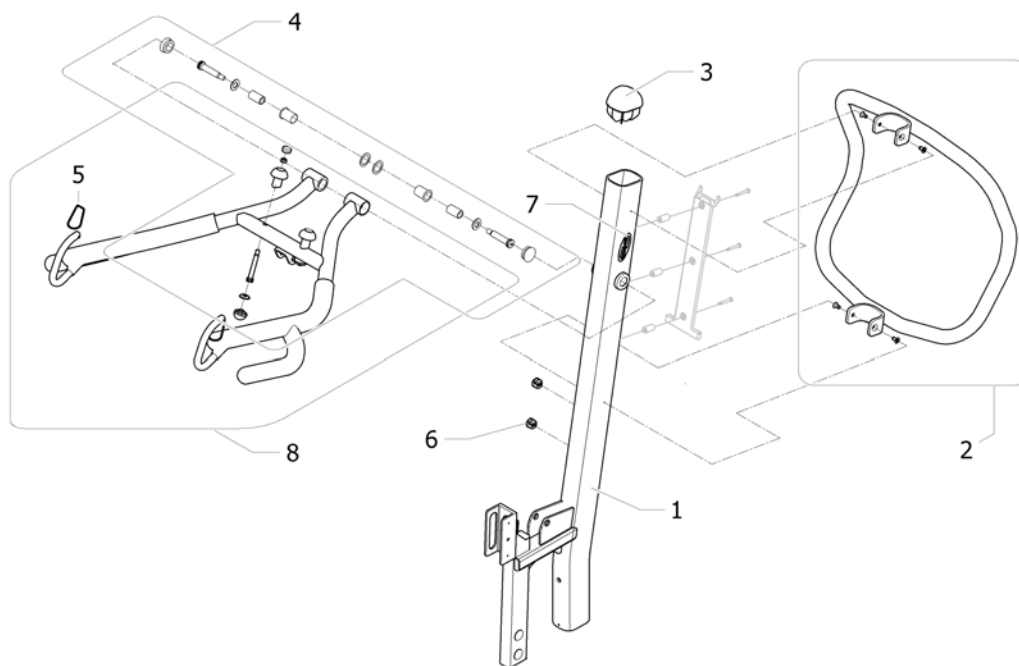
## Control units



ISPS1545544

| Pos. | Part number  | Description                              | Valid from → until | Qty |
|------|--------------|--|--------------------|-----|
| 1    | 1514573-7035 | Battery pack Linak without front cover   |                    | 1   |
| 2    | 1528279-7035 | Control unit EU                          |                    | 1   |
| 3    | 1078306      | Bracket wall mount charger electric only |                    | 1   |
| 4    | 1152391      | Wall charger                             |                    | 1   |
| 5    | 1078284      | Bracket battery electric only            |                    | 1   |
| 6    | 1155348      | Cover battery bracket                    |                    | 1   |
| 7    | 1161590      | Kit battery bracket hardware             |                    | 1   |
| 8    | 1155872      | Remote control EU                        |                    | 1   |
| 9    | 1161593      | Package rubber clip for remote control   |                    | 1   |
| 10   | 1079134      | Cord UK electric only (for charger)      |                    | 1   |
| 11   | 1155874      | Cord UK electric only (for controller)   |                    | 1   |
| 12   | 1079135      | Cord EU electric only (for charger)      |                    | 1   |
| 13   | 1155873      | Cord EU electric only (for controller)   |                    | 1   |

# Mast assembly

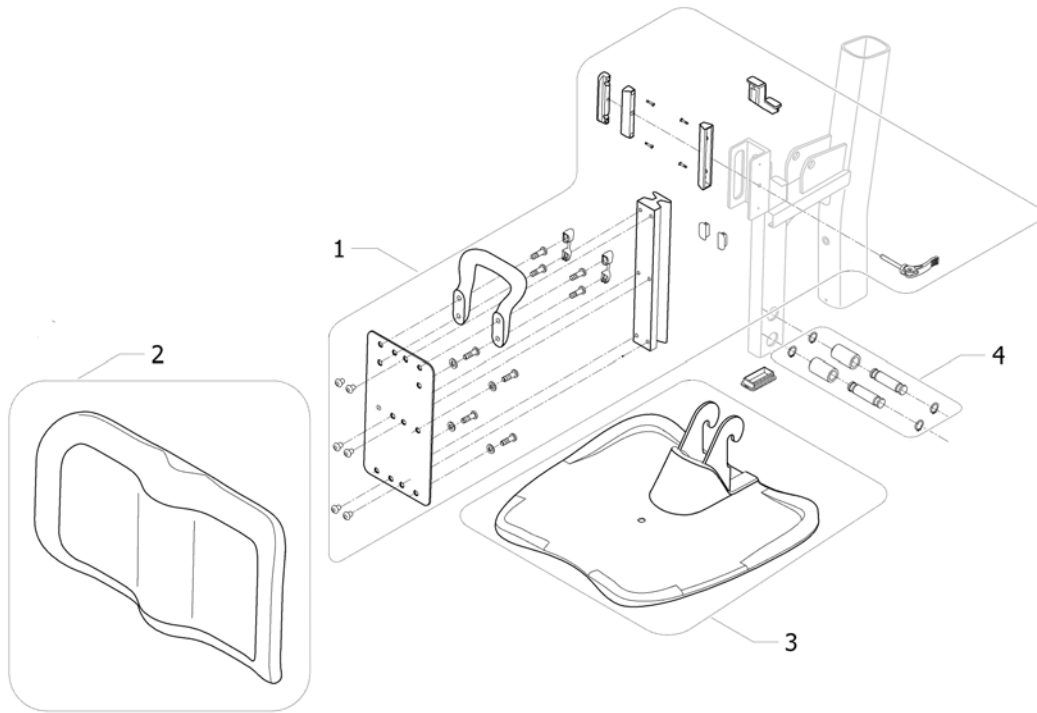


ISPS-1545564-.....

| Pos. | Part number | Description                         | Valid from → until | Qty |
|------|-------------|-------------------------------------|--------------------|-----|
| 1    | 1148556     | WLDMT mast stand-up Roze            |                    | 1   |
| 2    | 1161580     | Kit push handle blue                |                    | 1   |
| 3    | 1148545     | Plug cover                          |                    | 1   |
| 4    | 1161597     | Kit lifting arm mounting hardware   |                    | 1   |
| 5    | 1169846     | Kit cap hook sling                  |                    | 2   |
| 6    | 1161587     | Package wire lock                   |                    | 2   |
| 7    | 1156226     | Kit label and decal Roze EU         |                    | 1   |
| 8    | 1148492     | Lifting arm assembly stand up white |                    | 1   |



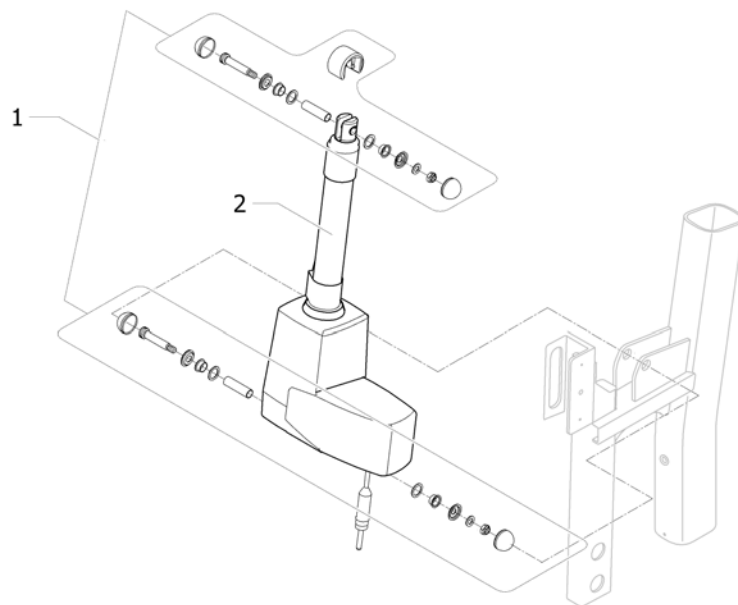
# Knee pad and footplate assembly



ISPS-1545565-.....

| Pos. | Part number | Description                        | Valid from → until | Qty |
|------|-------------|------------------------------------|--------------------|-----|
| 1    | 1161594     | Kit knee pad mounting hardware     |                    | 1   |
| 2    | 1148516     | Knee pad assembly blue             |                    | 1   |
| 3    | 1148520     | Footplate assembly with cover blue |                    | 1   |
| 4    | 1161595     | Kit footplate hanger hardware      |                    | 1   |

## Motor mast and lifting arm



ISPS1545566-----

| Pos. | Part number | Description                         | Valid from → until | Qty |
|------|-------------|-------------------------------------|--------------------|-----|
| 1    | 1161598     | Kit mast actuator mounting hardware |                    | 1   |
| 2    | 1148550     | Motor 340528-00 LINAK LA34(250)     |                    | 1   |





Yes, you can.®



---

**Belgium & Luxemburg:**

Invacare nv, Autobaan 22, B-8210 Loppem  
Tel: (32) (0)50 83 10 10, Fax: (32) (0)50 83 10 11  
belgium@invacare.com

**Danmark:**

Invacare A/S, Sdr. Ringvej 37, DK-2605 Brøndby  
Tel: (45) (0)36 90 00 00, Fax: (45) (0)36 90 00 01  
denmark@invacare.com

**Deutschland:**

Invacare Aquatec GmbH, Alemannenstraße 10, D-88316 Isny  
Tel: (49) (0)75 62 7 00 0, Fax: (49) (0)75 62 7 00 66  
info@invacare-aquatec.com

**European Distributor Organisation:**

Invacare, Kleiststraße 49, D-32457 Porta Westfalica  
Tel: (49) (0)57 31 754 540, Fax: (49) (0)57 31 754 541  
edo@invacare.com

**España:**

Invacare SA, c/Areny s/n, Polígon Industrial de Celrà, E-17460 Celrà (Girona)  
Tel: (34) (0)972 49 32 00, Fax: (34) (0)972 49 32 20  
contactsp@invacare.com

**France:**

Invacare Poirier SAS, Route de St Roch, F-37230 Fondettes  
Tel: (33) (0)2 47 62 64 66, Fax: (33) (0)2 47 42 12 24  
contactfr@invacare.com

**Ireland:**

Invacare Ireland Ltd, Unit 5 Seatown Business Campus, Seatown Road, Swords, County Dublin - Ireland  
Tel: (353) 1 810 7084, fax: (353) 1 810 7085  
ireland@invacare.com

**Italia:**

Invacare Mecc San s.r.l., Via dei Pini 62, I-36016 Thiene (VI)  
Tel: (39) 0445 38 00 59, Fax: (39) 0445 38 00 34  
italia@invacare.com

**Nederland:**

Invacare BV, Celsiusstraat 46, NL-6716 BZ Ede  
Tel: (31) (0)318 695 757, Fax: (31) (0)318 695 758  
nederland@invacare.com, csede@invacare.com

**Norge:**

Invacare AS, Grensesvingen 9, Postboks 6230, Etterstad, N-0603 Oslo  
Tel: (47) (0)22 57 95 00, Fax: (47) (0)22 57 95 01  
norway@invacare.com, island@invacare.com

**Österreich:**

Mobitec Mobilitätshilfen GmbH, Herzog Odilostrasse 101, A-5310 Mondsee  
Tel: (43) 6232 5535 0, Fax: (43) 6232 5535 4  
office@mobitec-austria.com, austria@invacare.com

**Portugal:**

Invacare Lda, Rua Estrada Velha, 949, P-4465-784 Leça do Balio  
Tel: (351) (0)225 1059 46147, Fax: (351) (0)225 1057 39  
portugal@invacare.com

**Sverige & Suomi:**

Invacare AB, Fagerstagatan 9, S-163 91 Spånga  
Tel: (46) (0)8 761 70 90, Fax: (46) (0)8 761 81 08  
sweden@invacare.com, finland@invacare.com

**Switzerland:**

Mobitec Rehab AG, Benkenstrasse 260, CH-4108 Witterswil  
Tel: (41) (0)61 487 70 80, Fax: (41) (0)61 487 70 81  
office@mobitec-rehab.ch, switzerland@invacare.com

**United Kingdom:**

Invacare Limited, Pencoed Technology Park, Pencoed, Bridgend CF35 5HZ  
Switchboard Tel: (44) (0)1656 776200, Fax: (44) (0)1656 776201  
Customer services Tel: (44) (0)1656 776222, Fax: (44) (0)1656 776220  
UK@invacare.com