

Rea® Clematis®



en Manual wheelchair passive  
User Manual



This manual MUST be given to the user of the product.  
BEFORE using this product, this manual MUST be read and saved  
for future reference.

**rea**®



*Yes, you can.®*

©2019 Invacare Corporation

All rights reserved. Republication, duplication or modification in whole or in part is prohibited without prior written permission from Invacare. Trademarks are identified by <sup>™</sup>and <sup>®</sup>. All trademarks are owned by or licensed to Invacare Corporation or its subsidiaries unless otherwise noted.

# Contents

<b>1 General</b>	<b>4</b>
1.1 Introduction	4
1.2 Symbols in this manual	4
1.3 Warranty	4
1.4 Limitation of liability	4
1.5 Accidents / Near accidents	4
1.6 Intended use	4
1.7 Compliance	4
1.8 Service life	5
<b>2 Safety</b>	<b>6</b>
2.1 Specific risks	6
2.2 Labels	6
2.3 Location of the identification label	7
2.4 Symbols	7
<b>3 Setup</b>	<b>8</b>
3.1 Safety information	8
3.2 Delivery check	8
3.3 Assembly	8
3.3.1 Unfolding the backrest	8
3.3.2 Angle adjustable leg rests	8
3.3.3 Fitting the armrests	8
3.3.4 Fitting the rear wheels	8
<b>4 Components</b>	<b>9</b>
4.1 Wheelchair overview	9
4.2 Backrest	9
4.2.1 Adjusting the backrest plate	9
4.2.2 Adjusting the “Laguna” tension adjustable backrest	9
4.2.3 Adjusting the backrest angle	9
4.2.4 Tilting seat and backrest	10
4.3 Adjusting the push handles	10
4.3.1 Backrest plate	10
4.3.2 Backrest tension adjustable “Laguna”	11
4.4 Seat	11
4.4.1 Adjusting the seat depth	11
4.4.2 Seat adjustments	11
4.5 Leg rests	11
4.5.1 Swing away, angle adjustable leg rests	11
4.6 Tires	12
4.7 Adjusting the anti-tip device	13
<b>5 Accessories</b>	<b>14</b>
5.1 Adjusting the drip stand	14
5.2 Adjusting the pommel	14
5.3 Half tray	14
5.3.1 Mounting the half tray	15
5.3.2 Adjusting the half tray	15
5.3.3 Add a half tray cushion	15
5.4 Headrest / Neckrest	15
5.4.1 Height adjustment	15
5.4.2 Depth / angle adjustment	15
5.5 Trunk support “swing-away”	16
5.6 Trunk support — fixed arm	16
5.7 Lateral positioning pads (for adjustable backrest cover only)	17
5.7.1 Using lateral positioning pads	17
5.7.2 Using wedges with lateral positioning pad	17
5.8 Posture belt	17
<b>6 Usage</b>	<b>19</b>
6.1 General warnings Usage	19
6.2 Operating the wheelchair	19
6.2.1 Lifting the wheelchair	19
6.2.2 Move to/from the wheelchair	19
6.2.3 Using the tilt / recline function	19
6.2.4 Using the user operated brake	20
6.2.5 Stretching and leaning	20
6.2.6 Propelling up a slope	20
6.2.7 Propelling down a slope	21
6.2.8 Climbing a kerb	21
6.2.9 Kerbs — alternative method	21
6.2.10 Escalators and stairs	22
<b>7 Transport</b>	<b>23</b>
7.1 Safety information	23
7.2 Transporting occupied / unoccupied wheelchairs in vehicles	23
7.2.1 Backrest and seat angles	24
7.2.2 Posture belt	24
7.2.3 Ramps and slopes	24
7.3 Restraint methods	25
7.3.1 Frontal restraints with straps	25
7.3.2 Fastening of posture belt and safety belt	25
7.4 Disassembly for transport	25
7.4.1 Armrest	25
7.4.2 Folding the backrest	25
7.4.3 Angle adjustable leg rests	26
7.4.4 Rear wheels	26
<b>8 Maintenance</b>	<b>27</b>
8.1 Safety information	27
8.2 Daily performance check	27
8.3 Maintenance schedule	27
8.4 Flat tire	27
8.5 Cleaning	27
8.6 Washing	28
8.7 Disinfection	28
<b>9 After Use</b>	<b>29</b>
9.1 Recycling	29
9.2 Waste disposal	29
9.3 Reuse	29
<b>10 Technical Data</b>	<b>30</b>
10.1 Dimensions and weights	30
10.1.1 Maximum weight of removable parts	31
10.2 Material	31
10.3 Environmental conditions	31

# 1 General

## 1.1 Introduction

This user manual contains important information about the handling of the product. To ensure safety when using the product, read the user manual carefully and follow the safety instructions.

Note that there may be sections in this document, which are not relevant to your product, since this document applies to all available models (on the date of printing). If not otherwise stated, each section in this document refers to all models of the product.

The models and configurations available in your country can be found in the country-specific price lists.

Invacare reserves the right to alter product specifications without further notice.

Before reading this document, make sure you have the latest version. You find the latest version as a PDF on the Invacare website.

If you find that the font size in the printed document is difficult to read, you can download the PDF version from the website. The PDF can then be scaled on screen to a font size that is more comfortable for you.

For more information about the product, for example product safety notices and product recalls, contact your Invacare representative. See addresses at the end of this document.

## 1.2 Symbols in this manual

Symbols and signal words are used in this manual and apply to hazards or unsafe practices which could result in personal injury or property damage. See the information below for definitions of the signal words.



### WARNING

Indicates a hazardous situation that could result in serious injury or death if it is not avoided.



### CAUTION

Indicates a hazardous situation that could result in minor or slight injury if it is not avoided.



### IMPORTANT

Indicates a hazardous situation that could result in damage to property if it is not avoided.



### Tips and Recommendations

Gives useful tips, recommendations and information for efficient, trouble-free use.



This product complies with Directive 93/42/EEC concerning medical devices. The launch date of this product is stated in the CE declaration of conformity.



Manufacturer of the product.

## 1.3 Warranty

We provide a two-year warranty from the delivery date. Damage due to wear and tear on upholstery, tires, (rubber) tubes, hand rims and castors etc., is not covered by the

warranty. Damage that has been caused through physical violence or abnormal use is not covered. Damage caused by users who weigh more than the maximum user weight stated for each wheelchair model is not covered. The warranty will only apply if the maintenance instructions are followed.

## 1.4 Limitation of liability

Invacare accepts no liability for damage arising from:

- Non-compliance with the user manual
- Incorrect use
- Natural wear and tear
- Incorrect assembly or set-up by the purchaser or a third party
- Technical modifications
- Unauthorised modifications and/or use of unsuitable spare parts

## 1.5 Accidents / Near accidents

Please inform your Invacare office immediately of any accidents or near-accidents that have been caused by this wheelchair and that have led to, or could have led to, personal injury. The relevant authority must also be contacted and reported to.

## 1.6 Intended use

The wheelchair is intended for a person who needs posture support to attain an up-right sitting position. The backrest can be reclined and the seat can be tilted when needed to keep the head in an up-right position. When the backrest is reclined, or/and the seat is tilted, the backrest must be equipped with a headrest or a neckrest. The wheelchair also gives good support to the head, the arms and the legs.

The wheelchair is designed both for self-propelling and assistant maneuvered propelling, depending on the rear wheel size. The wheelchair can be used as a seat when transporting the user in a vehicle, presuming that the fixation is in accordance with the approved crash test.

The wheelchair must be used with a seat and a backrest system.

The wheelchair is intended for use both indoor and outdoor use (depending on the chosen size of castors).

The maximum user weight is stated in the technical data.

### Indications

The wheelchair is intended for disabled persons with no or reduced walking ability and when a steady upright seating position is not possible due to the disability.

### Contraindications

A seat tilt is not intended for users who are sensitive for increased blood pressure in the upper part of the body.

## 1.7 Compliance

Quality is fundamental to the company's operation, working within the disciplines of ISO 13485.

This product features the CE mark, in compliance with the Medical Device Directive 93/42/EEC Class 1.

We are continuously working towards ensuring that the company's impact on the environment, locally and globally, is reduced to a minimum.

We only use REACH compliant materials and components.

## **1.8 Service life**

The expected service life of this product is five years when used daily and in accordance with the safety instructions, maintenance intervals and correct use, stated in this manual. The effective service life can vary according to frequency and intensity of use.


## 2 Safety

### 2.1 Specific risks

Below you will find a number of points affecting your personal safety. Read them carefully! Contact your local Invacare office or Health Care provider in case you need assistance.

Invacare is only responsible for product changes carried out by competent personnel. We reserve the right to make any changes to equipment and specifications without prior notice.

Failure to comply with instructions given may result in personal injury and/or product damage.

-  The wheelchair must always be equipped with legrests, footrests, seat cushion and armrests!



#### WARNING!

##### Risk of injury

- The wheelchair must always be prescribed by an authorised personnel or a competent person with knowledge about seating/positioning and others related to using a wheelchair.



#### WARNING!

##### Risk of falling

- Check that all parts are attached securely to the frame.
- Check that all wheels, knobs, screws and nuts are properly tightened.
- Check that all brakes and anti-tip devices function correctly.
- Always apply the brake before getting into or out of the chair.
- Never stand on the foot plates when getting into or out of the chair, because of the risk of tipping.
- Changing the seat angle can mean an increased risk of tipping over.
- The wheelchair must always be equipped with anti-tip devices.
- Remember that the effectiveness of the carer-operated brake is reduced in wet and slippery conditions, as well as when on a slope.
- Be careful to ensure that the rear wheels are securely attached.



#### WARNING!

##### Risk of tipping/falling when using Tension adjustable backrest

- There is a risk of tipping and injury if the hook and loop straps on the backrest become too slack. Always check the tension. Also check that the rear wheels are adjusted to ensure that there is no risk of tipping.



#### WARNING!

##### Risk of injury

- Never lift the wheelchair by the detachable armrests, footrests, back brace or by the adjustable push handles. See section “usage” for more information.
- The handrims may become hot due to friction, which may cause injury to your hands.
- When mounting accessories etc. be careful not to trap your fingers.
- There is always an increased risk of trapping parts of your body when tilting the wheelchair’s back and seat.
- The width of the seat must not be reduced too much, as this would increase the pressure from the armrests to the side of the pelvis.



#### CAUTION!

##### Risk of burning

- The wheelchair components can heat up when exposed to external sources of heat.
- Do not expose the wheelchair to strong sunlight before use.
  - Surfaces of the wheelchair like frame parts or upholstery can, after long exposure to the sun, reach temperatures over 41°C.
  - Before usage, check all components that come into contact with your skin for their temperature.



#### WARNING!

##### Risk of pressure sores and contracted posture

- The user must not be seated in a tilted position for a long time. The seating positions needs to be varied to avoid pressure sores.

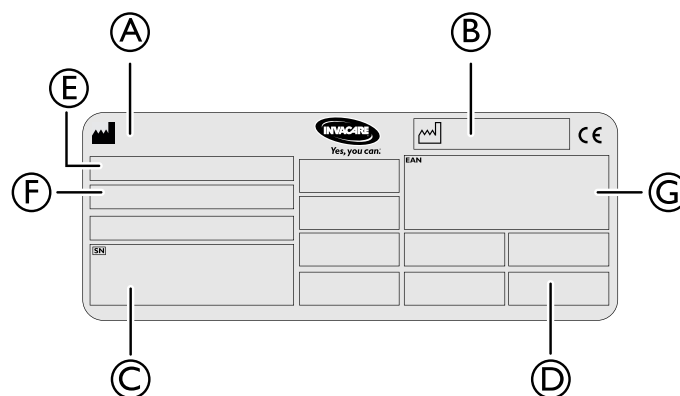


#### CAUTION!

##### Risk of getting fingers caught

- There is always a risk of getting, e.g. fingers or arms, caught in the moving parts of the wheelchair.
- Make sure when activating the folding or insertion mechanisms of moving parts, such as the removable axle of the rear wheel, folding backrest or antitipper, that nothing becomes caught.

### 2.2 Labels

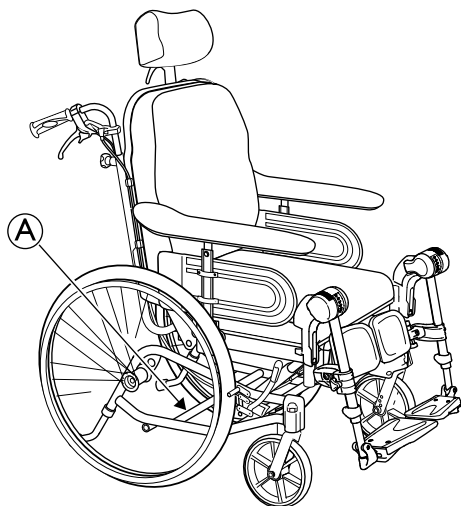


Ⓐ Manufacturer

Ⓑ Manufacturing date

- Ⓒ Serial No.
- Ⓓ Max user weight
- Ⓔ Model
- Ⓕ Model information such as seat depth and seat height
- Ⓖ EAN number

### 2.3 Location of the identification label



- Ⓐ Location of the identification label

### 2.4 Symbols

#### Symbols



Refer to the user manual.



This product complies with Directive 93/42/EEC concerning medical devices. The launch date of this product is stated in the CE declaration of conformity.



Manufacturing date



Manufacturer

## 3 Setup

### 3.1 Safety information



#### CAUTION!

##### Risk of injury

- Before using the wheelchair, check its general condition and its main functions, refer to chapter “Maintenance”.

Your authorized dealer will supply your wheelchair ready for use. Your dealer will explain the main functions and ensure that the wheelchair meets your needs and requirements.

Adjustments of the axle position and the front wheel support must be carried out by an authorized dealer.

### 3.2 Delivery check

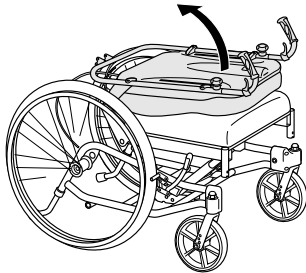
Any transport damage must be reported immediately to the transport company. Remember to keep the packaging until the transport company has checked the goods and a settlement has been reached.

### 3.3 Assembly

When you receive your wheelchair, you must fit the backrest into place and fit the neckrest, armrests and legrests on the chair. The assembly is simple and does not require any tools.

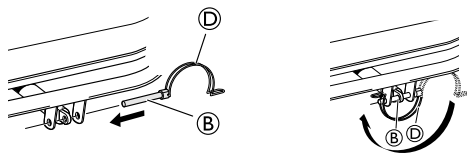
#### 3.3.1 Unfolding the backrest

1.



Unfold the backrest into an upright position.

2.



When fastening the safety pin (B), tilt the backrest slightly forward while supporting the gas piston manually.

3. When the holes are aligned, the safety pin (B) can be attached.
4. Secure the piston with the safety pin (B).
5. Lock the pin using the lock shackle / loop (C).
6. Secure the backrest cushion using the hook and loop strips.



#### WARNING!

##### Safety risk

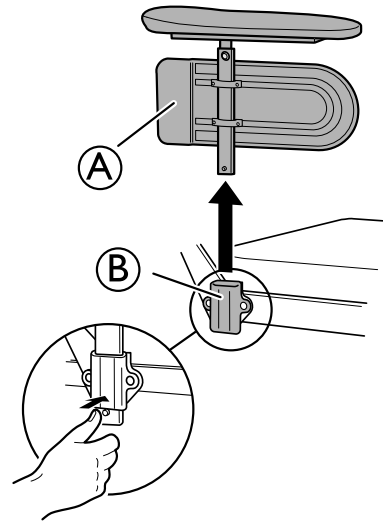
- The wheelchair may collapse
- Remember to always reinsert and fasten the safety pin when it has been removed.
- Check that the lock shackle / loop is securely locked.

#### 3.3.2 Angle adjustable leg rests

To install or remove the Swing away, Angle adjustable leg rest, refer to

→ 4.5.1 Swing away, angle adjustable leg rests, page 11.

#### 3.3.3 Fitting the armrests



1. Fit the armrest (A) in the armrest attachment (B).



Make sure that the armrest is securely locked into position.

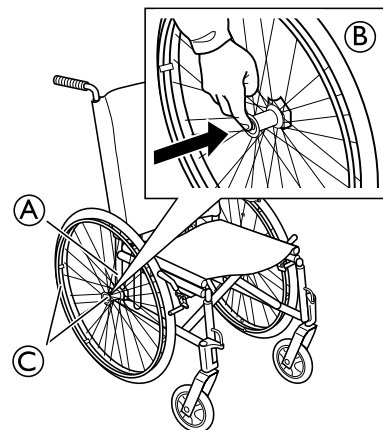


#### CAUTION!

##### Risk of pinching fingers

- Be careful not to pinch your fingers between the frame and the side guard when mounting the armrest.

#### 3.3.4 Fitting the rear wheels



1. Press and hold in the quick-release button (B) in the center of the hub.
2. Put the rear wheel and the rear wheel axle (C) in the rear wheel attachment (A) and release the button (B).
3. Pull the wheels outwards to check that the wheel is securely locked in its position.



#### WARNING!

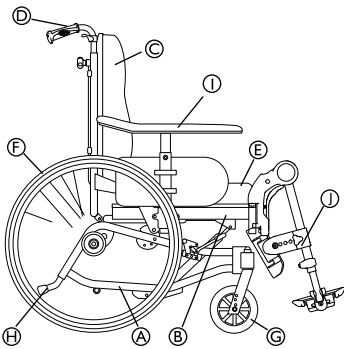
##### Risk of injury

- Check that the rear wheel is securely locked in its position! It should not be possible to remove the wheels when the quick-release button is inactivated.



## 4 Components

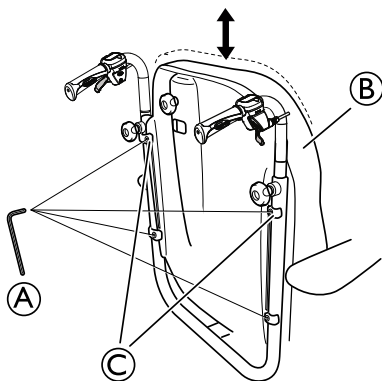
### 4.1 Wheelchair overview




- A Frame, lower section
- B Seat frame
- C Backrest
- D Push handles
- E Seat
- F Rear wheel
- G Castors
- H Step tube/Anti-tip device
- I Armrests
- J Legrests


### 4.2 Backrest

#### 4.2.1 Adjusting the backrest plate



1. Loosen the four screws A.
2. Adjust the backrest B to the desired height.
3. Re-tighten the screws firmly.

 The brackets for the backrest C should be placed as high as possible.

 5 mm allen key

#### 4.2.2 Adjusting the “Laguna” tension adjustable backrest



**WARNING!**  
Risk of injury

The position of the head could cause neck and/or breathing problems for the user if the hook and loop straps come loose at the top of the backrest.  
– Make sure that the hook and loop straps only has a minimum of 6 cm overlap distance. Press the hook and loop straps firmly together and make sure that they stay fixated.



**WARNING!**  
Risk of tipping backwards

When using a tension adjustable backrest, the center of gravity is moved backwards.  
– Always use anti-tip devices and make sure that the balance of the chair is stable.



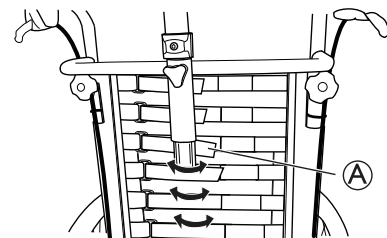
**WARNING!**  
Risk of pressure sores

When the backrest is in the most reclined position, there is a risk of pressure sores.  
– Make sure that there are no pressure areas and monitor the user and make adjustments in order to avoid pressure sores.



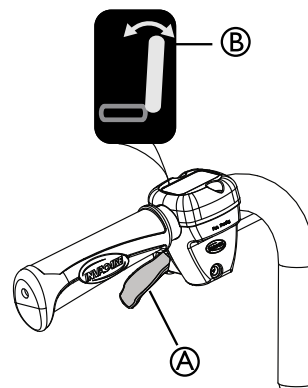
**WARNING!**  
Risk of injury

Too much slack on the hook and loop straps when using cover Lateral and neckrest bow/pole can cause pressure sores.  
– Make sure that there is a space between the backrest and the neckrest bow/pole in order to avoid pressure sores.



1. Adjust the shape of the “Laguna” tension adjustable backrest with the hook and loop straps A.

#### 4.2.3 Adjusting the backrest angle



1. Use the **yellow** lever **A** marked with the **yellow symbol** **B** on the **left** hand side to angle the backrest.
2. Press upwards while you angle the backrest to the desired position.
3. Release the lever.

#### 4.2.4 Tilting seat and backrest



**WARNING!**  
**Risk of fatal injury**

Increased blood pressure against the upper part of the body.

- All combinations of settings (like opened knee angle + full tilt and recline) where the lower extremity's are positioned higher than the heart, have to be evaluated from a medical point of view. The position can be contra indicated for users who are sensitive for increased blood pressure in the upper part of the body.



**WARNING!**  
**Risk of choking/breathing problems**

The user might choke from eating or drinking when seated in a tilted/reclined position

- The user must be seated in a raised position before eating or drinking



**WARNING!**  
**Risk of injury**

User may slide out of the wheelchair in a tilted/reclined position

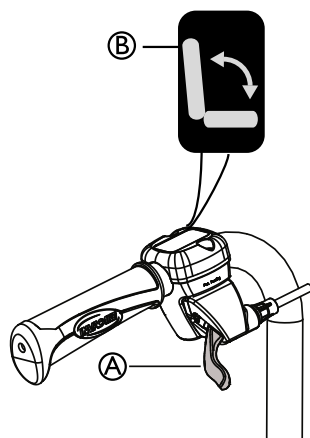
- Never leave the user at a flat of negative tilt angle without supervision. Use the posture belt for positioning.



**CAUTION!**  
**Risk of trapping fingers**

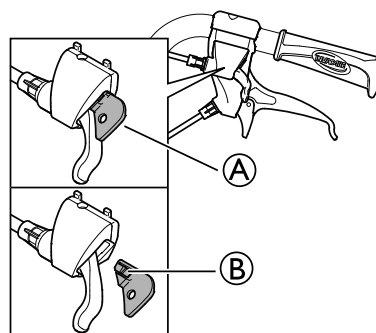
- Be careful when adjusting the angle of the backrest so that the assistant or user do not trap fingers between the backrest and the armrest.

#### Carer-operated tilt adjustment



1. Use the **green** lever **A** with the **green symbol** **B** on the **right** hand side to tilt the seat unit (seat and backrest).
2. Press upwards while you tilt the seat unit to the desired position.
3. Release the lever.

#### Locking the tilt and/or backrest angle adjustment



The locking device **A** allows you to set the tilting of the seat unit and/or the angling of the backrest to a fixed position.

1. Tilt and/or angle the seat and backrest to the desired position.
2. Insert the locking device **A**.

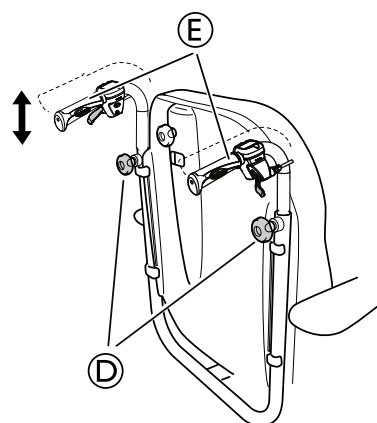




The position is now set and cannot be changed.

To remove the locking device, press on the plastic peg **B** with a small object and pull outwards.

#### 4.3 Adjusting the push handles

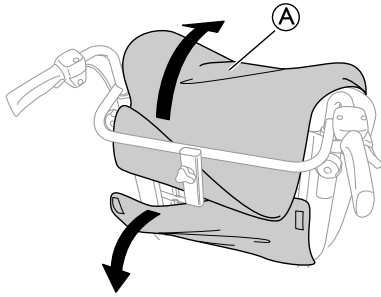
##### 4.3.1 Backrest plate



1. Loosen the hand wheels **D**. Adjust the push handles to one of the four positions, then retighten the handle wheels (B). After adjusting the push handles, always make sure that the handle wheels are properly retighten.
2. Adjust the push handles to the desired position.
  -  There are four possible height positions, max height adjustability is 90 mm.
3. Retighten the hand wheels **D**.
  -  Make sure that the hand wheels are properly tightened.
4. Adjust the height of the push handles (90 mm) by loosening the handle wheels (B). Adjust the push handles to one of the four positions, then retighten the handle wheels (B). After adjusting the push handles, always make sure that the handle wheels are properly retighten.

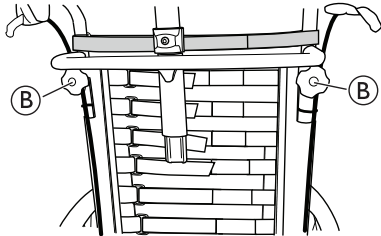
### 4.3.2 Backrest tension adjustable “Laguna”

1.



Remove the backrest cover (A).

2.



Loosen the hand wheels (B) and adjust to the desired height.

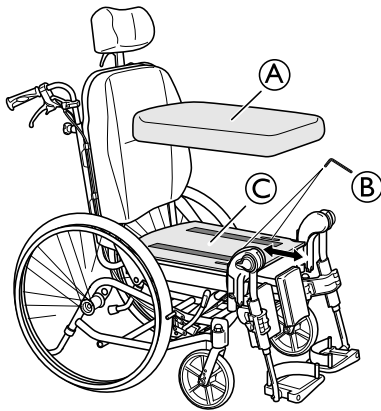
3. Re-tighten the hand wheels (B).

4. Re-mount the backrest cover (A).

**i** The push handles may only be adjusted 5 cm when using “Lateral” cover and the extra support strap.

## 4.4 Seat

### 4.4.1 Adjusting the seat depth



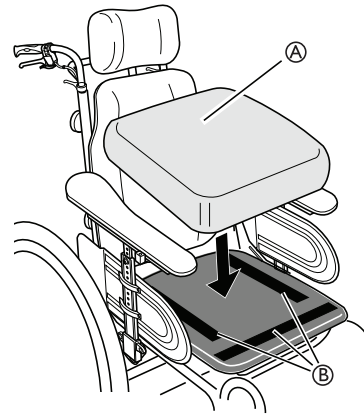
1. Remove the seat cushion (A).
2. Loosen the screws (B).
3. Push or pull the seat plate (C) backwards or forwards to the desired position.

**i** The seat can be adjusted 30 mm forwards or 30 mm backwards.

4. Re-tighten the screws (B).

**i** 5 mm allen key

### 4.4.2 Seat adjustments



The seat depth of the chair can easily be adjusted to provide good support. The width between the legrests and armrests and the height of the armrests can also be adjusted.

**i** The seat cushion (A) is secured with hook and loop strips (B) on the seat plate.

## 4.5 Leg rests



### WARNING!

#### Risk of injury

– Never lift the wheelchair by the footrest supports or leg rests.



### CAUTION!

#### Risk of pinching or crushing fingers

There are swing mechanisms where you could trap your fingers.

– Be careful when using, swinging, disassembling or adjusting these mechanisms.

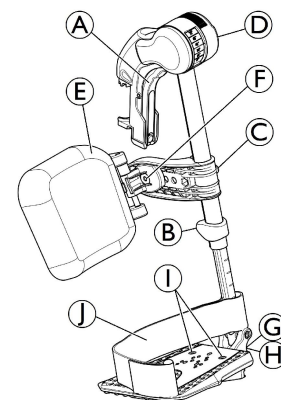


### IMPORTANT!

Risk of damage to the leg rest mechanism

– Do not place anything heavy, or let children sit on the leg rest.

### 4.5.1 Swing away, angle adjustable leg rests



#### Swinging outwards

1. Activate the release lever (A) and swing the leg rests outwards.

#### Swinging forwards

1. Swing the leg rest forwards until it engages.

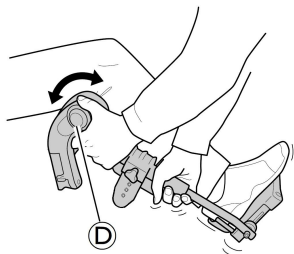
## Unhinging

1. Activate the release lever **A**, swing the leg rest outwards.
2. Pull the leg rest upwards.

## Hinging

1. Push the leg rest down into its receiver and swing it forwards until it engages.

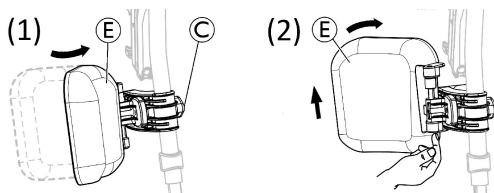
## Adjusting angle



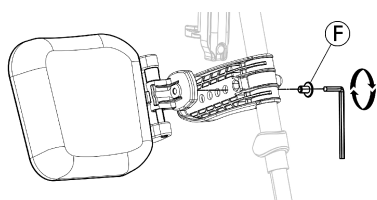
There are six preset positions available for angle adjustment.

1. Rotate the knob **D** with one hand while supporting the leg rest with your other hand.
2. When a suitable angle is obtained, let go off the knob and the leg rest will lock into the desired position.

## Swinging calf pad and adjustments



- Swinging calf pad forwards (1) or backwards (2) :
  1. Swing calf pad **E** forwards (1).
  2. Pull up the calf pad **E** and swing it backwards (2).
- Adjusting height of calf pad:
  1. Loosen knob **C**.
  2. Adjust to the desired height and firmly tighten the knob.
- Adjusting depth of calf pad



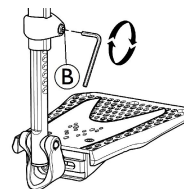
The calf pad has four depth adjustment options:

1. Remove the fixing screw **F** with 5 mm Allen key.
2. Adjust to one of the four positions and firmly tighten the fixing screw **F** (3–5 Nm).

## Adjusting foot plate

There are three different fold-up foot plates available.

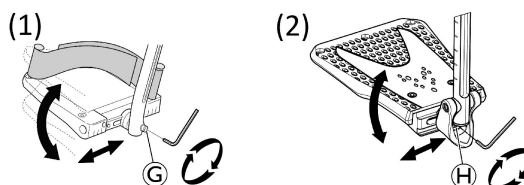
- Standard height-adjustable foot plates:



1. Loose the fixing screw **B** with 5 mm Allen key.
2. Adjust the height and let the screw catch one of the recesses on the foot plate tube.
3. Tighten the fixing screw **B** (3–5 Nm) in the desired position.

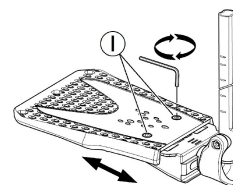
**i** The distance between the lowest part of the footrest and the ground must be at least 50 mm.

- Depth-, Angle- (1) and Width- (2) adjustable foot plates:



1. Loosen the fixing screw **G** or **H** with 5 mm Allen key.
2. Adjust the depth and angle positions and firmly tighten the fixing screw **G** (12 Nm) or **H** (8–9 Nm) in the desired position.

- Width-adjustable foot plates (2):



1. Loosen the two fixing screws **I** with 5 mm Allen key.
2. Adjust the width position and firmly tighten the two fixing screws **I** (3–5 Nm) in the desired position.

Invacare recommends that foot plate adjustment is carried out by a qualified technician.

**i** To ensure a good position of the feet, two types of straps can be provided; the heel strap **I** (serial) and the calf strap (optional) attached to the leg rest support. Both adjustable by hook and loop fasteners.


## 4.6 Tires


The ideal pressure depends on the tire type:


The table below is an indication. In case the tire differs from the list below, check the side of the tire, the maximum pressure is listed there.

Tire	Max. pressure		
	bar	kPa	psi
Pneumatic tire: 560 mm (22"); 610 mm (24")	4.5	450	65
Non marking pneumatic tire: 560 mm (22"); 610 mm (24")	7.5	750	110

Tire	Max. pressure		
Solid tire: 305 mm (12"); 405 mm (16"); 560 mm (22"); 610 mm (24")	-	-	-
Solid tire: 150 mm (6"); 140 mm (5" 1/2); 125 mm (5"); 180 mm (7"); 200 mm (8")	-	-	-
Pneumatic tire: 200 mm (8")	2.5 bar	250 kPa	36 psi

 The compatibility of the tires listed above depends on the configuration and/or model of your wheelchair.


 The size of the tire is mentioned on the sidewall of the tire. The change of appropriate tires must be carried out by an authorized dealer.

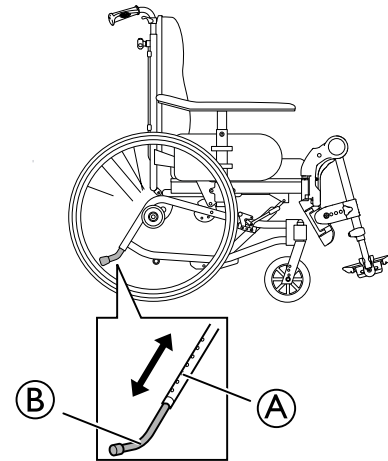
 In case of a tire puncture consult a suitable workshop (e.g. bike repair shop, bicycle dealer ...) to have the tube replaced by a skilled person.



#### CAUTION!

– The tires pressure have to be equal in both wheels to avoid a less driving comfort, to keep the brakes efficiency and an easy propelling of the wheelchair.

 The anti-tip devices are height-adjustable and can easily be set in six different positions.



1. Press the spring-loaded button **A**.
2. Raise or lower the anti-tip devices to the required position.
3. Release the spring-loaded button **A**.




#### WARNING!

##### Risk of tipping


– Ensure that both anti-tip devices are adjusted equally and that the spring-loaded buttons pop back into place in their new position.

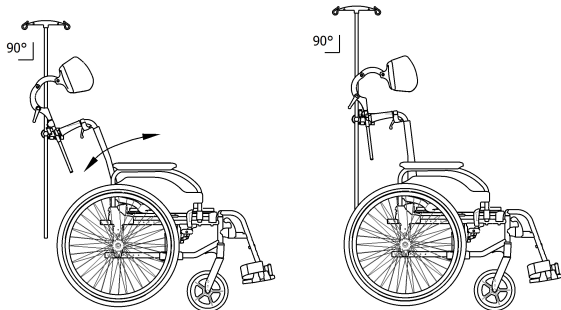
## 4.7 Adjusting the anti-tip device

 The anti-tip devices can also act as step tubes.

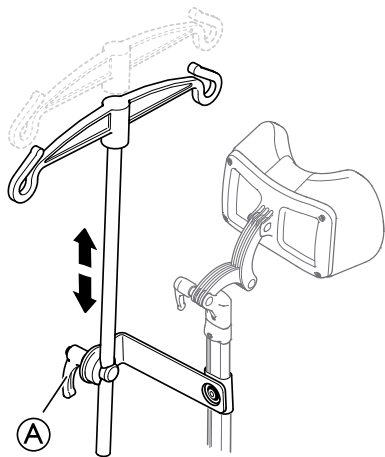
## 5 Accessories

### 5.1 Adjusting the drip stand

 The rod of the drip stand must always be placed in a vertical position, i.e. in a 90 degree angle to the ground, no matter the position of the backrest or the wheelchair.

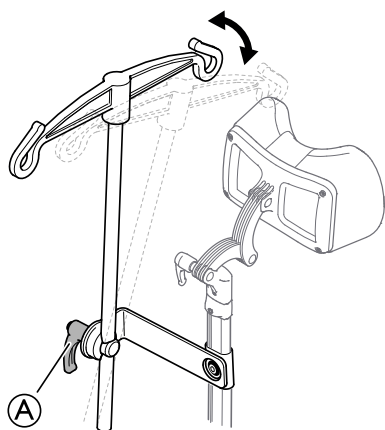


#### Height



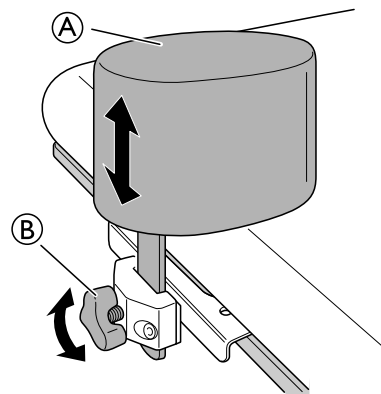
1. Loosen the lever (A).
2. Adjust the drip stand to the desired height.
3. Re-tighten the lever (A).

#### Angle



1. Loosen the lever (A).
2. Adjust to the desired angle.
3. Re-tighten the lever (A).

### 5.2 Adjusting the pommel



1. Loosen the handwheel (B).
2. Adjust the pommel (A) to the desired height.
3. Re-tighten the handwheel (B).

### 5.3 Half tray



#### WARNING!

##### Risk of falling / injury

– The half tray must never be used as a replacement for the posture belt.



#### WARNING!

##### Risk of tipping / injury

– Max load on the tip of the widest part of the half tray: 1.5 kg



#### CAUTION!

##### Risk of discomfort / minor bruises

– Make sure that the elbow of the user is placed on the half tray when propelling the wheelchair. If the elbow protrudes from the wheelchair while propelling the wheelchair, there is a risk of discomfort or minor bruises.



#### CAUTION!

##### Risk of pinching fingers

There is a mechanism below the half tray where you could trap your fingers.

– Be careful when adjusting the tray or when using the swing-away function.



#### CAUTION!

##### Risk of pinching or minor cuts

– Do not transfer from the wheelchair when the half tray is in horizontal position.

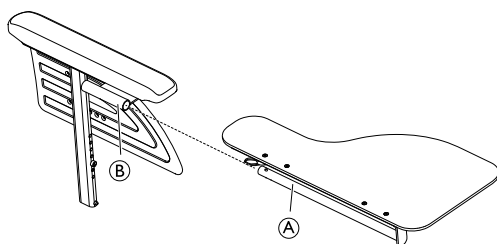


The half tray can be adjusted in width and swung away.

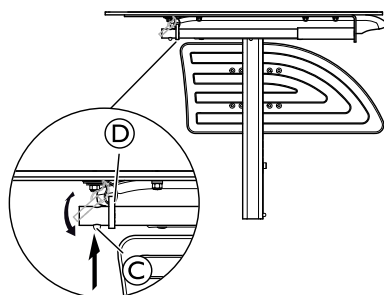


### 5.3.1 Mounting the half tray

#### Mounting the half tray

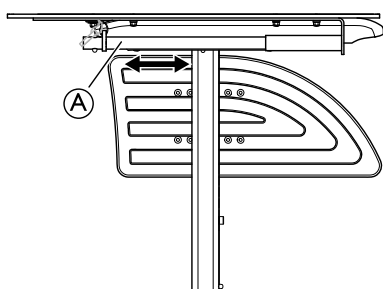


1. Insert the tube of the half tray (A) into the attachment (B) under the arm pad.



2. Push on the push pin (C) and insert the ring (D) on the tube (A).
3. Release the push pin (C).

### 5.3.2 Adjusting the half tray



1. Slide the half tray (A) forwards or backwards to adjust to the required depth.

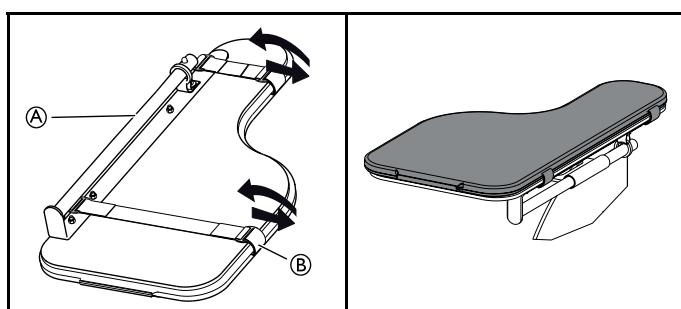


**CAUTION!**  
**Risk of discomfort**

– When adjusting the depth of the half tray, make sure not to squeeze the stomach of the user.

### 5.3.3 Add a half tray cushion

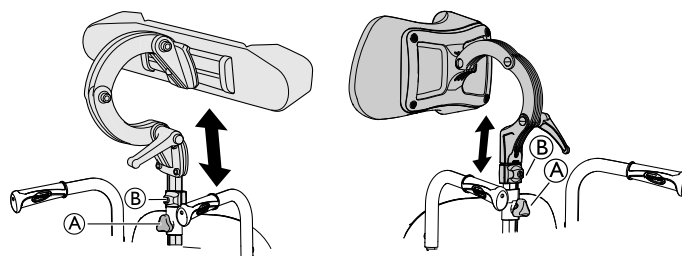
A cushion for the half tray can be placed on the half tray in order to have a softer surface for the arms and elbows.



1. Place the cushion for the half tray (A) on the tray.
2. Place the attachment straps (B) into the plastic buckle and around the half tray (A).

## 5.4 Headrest / Neckrest

### 5.4.1 Height adjustment

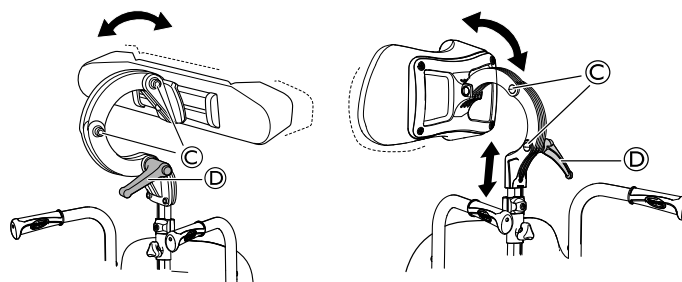


**i** The height and the removal are operated by the handwheel. The bar is equipped with an adjustable stop block.

1. Loosen the screw in the stop block (B).
2. Loosen the handwheel (A).
3. Adjust the head rest to the desired position.
4. Re-tighten the handwheel (A).
5. Slide the stop block (B) down to the top of the headrest attachment.
6. Re-tighten the screw.

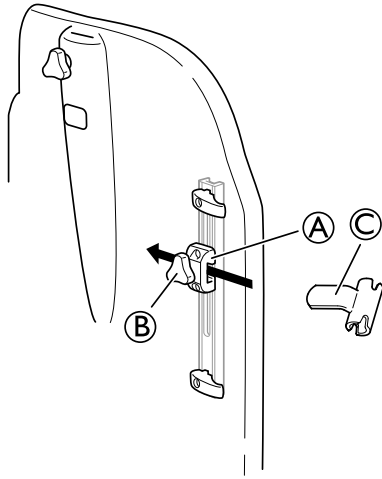
**i** It is now possible to remove the headrest and reinsert it in the desired position without further adjustments.

### 5.4.2 Depth / angle adjustment



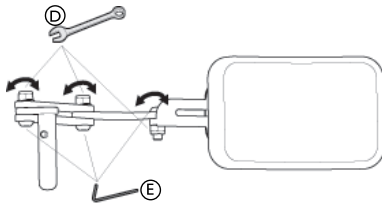
1. Loosen the handle (D).
2. Loosen the screws (C).
3. Adjust the depth and angle of the headrest.
4. Re-tighten the handle and the screws.

## 5.5 Trunk support "swing-away"



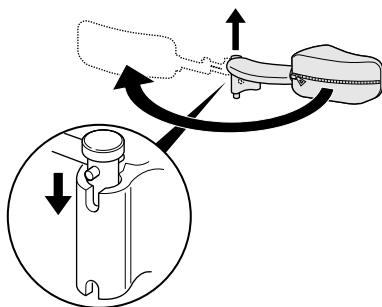
**i** The holder for the "swing-away" trunk support is placed in the attachment **A** on the backrest

1. Loosen the knob **B**.
2. Place the trunk support holder **C**.
3. Re-tighten the knob.



**i** Tools: 5 mm Allen key / 13 mm fixed spanner.

1. The angle can be adjusted by loosening the screws **E** and bolts **D** on the trunk support arm.
2. Hold with the Allen key and tighten with the fixed spanner.
3. Remember to re-tighten the screws and bolts when the required position is achieved.



**i** The "swing-away" trunk support can be turned sideways in order to be out of the way when the user is moving in to or out of the wheelchair.

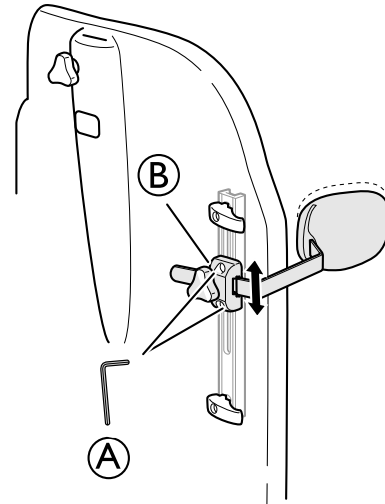


### **CAUTION!** Risk of pinching

– The cover on the trunk support arm must always be on when the chair is in use.

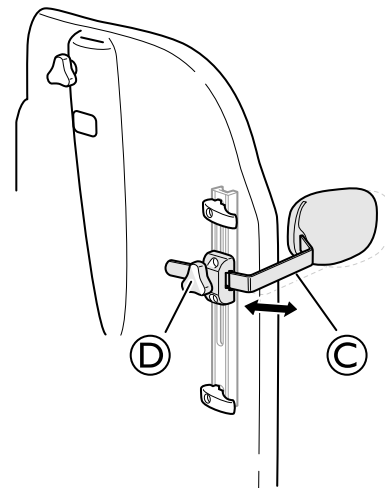
## 5.6 Trunk support — fixed arm

### Height adjustment



1. You adjust the height by first loosening the screw/screws **A**.
2. Move the attachment **B** upwards or downwards to the desired position.
3. Re-tighten the screw/screws.

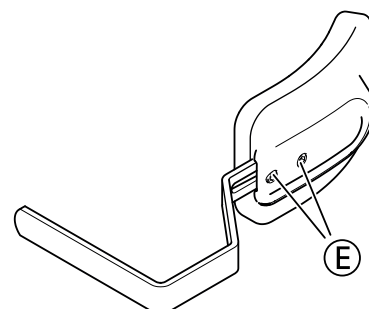
**i** Tools: 5 mm Allen key



### Sideways adjustment


1. Loosen the knob **D**.
2. Move the trunk support **C** sideways to the required position.
3. Re-tighten the knob **D**.

### Depth adjustment — fixed cushion





1. Loosen the screws ⑤.
2. Move the trunk support forwards or backwards to the desired position.
3. Re-tighten the screws.

 Tools: 5 mm Allen key

## 5.7 Lateral positioning pads (for adjustable backrest cover only)



### WARNING!

#### Risk of trapping

- Be careful not to trap your trunk between the two lateral positioning pads during front or lateral transfers; when the user is moving in the wheelchair.



### CAUTION!

#### Risk of uncomfortable posture

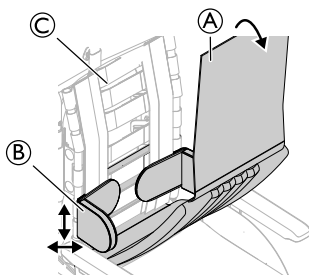
Insufficient space between the lateral positioning pads can be uncomfortable for certain users.

- This adjustment must be performed by a qualified technician upon agreement by a prescribing physician.
- Consult with your dealer.

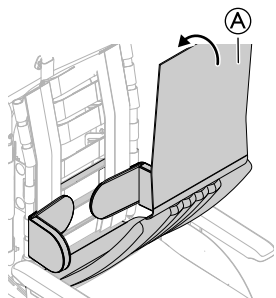


The lateral positioning pads can be adjusted in height and sideways.

### 5.7.1 Using lateral positioning pads

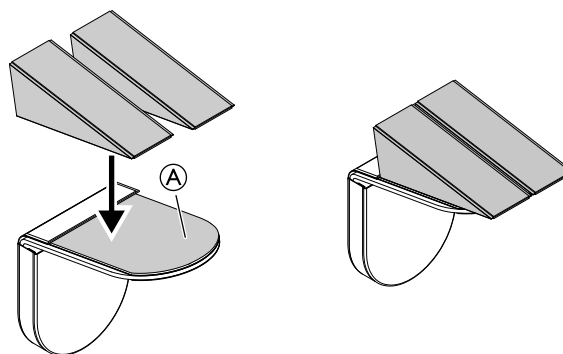


1. Remove the backrest cover ①.
2. Adjust the lateral positioning pads ② in height and sideways to the required position with the hook surface of the backrest cover ③.
3. Ensure that the two hook surfaces (pads and back cover) are set correctly.



4. Put the backrest cover ① back in place.

### 5.7.2 Using wedges with lateral positioning pad



1. Attach the wedges on the self-gripping pad ①.
2. Assemble the lateral positioning pads on the backrest.



See section: “Using lateral positioning pads”.

## 5.8 Posture belt

The wheelchair can be equipped with a posture belt. It prevents the user from sliding downward in the wheelchair or from falling out of the wheelchair. The posture belt is not a positioning device.

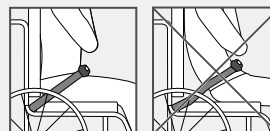


### WARNING!

#### Risk of serious injury / strangulation

A loose belt can allow the user to slip down and create a risk of strangulation.

- The posture belt should be mounted by a qualified technician and fitted by the responsible prescriber.
- Always make sure that the posture belt is tightly fitted across the lower pelvis.
- Each time the posture belt is used, check if it fits properly. Changing the seat and/or backrest angle, the cushion and even your clothes influence the fit of the belt.



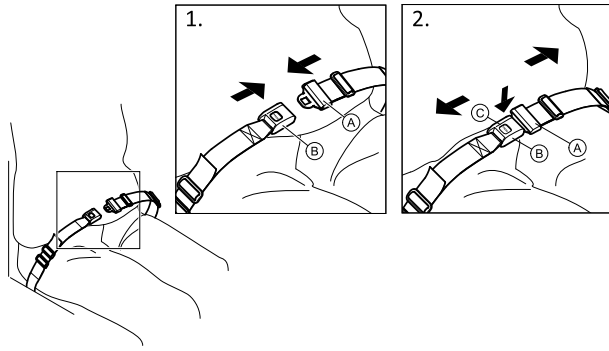
### WARNING!

#### Risk of serious injury during transport

In a vehicle, a user in his wheelchair must be secured by a safety belt (3-point belt). A posture belt only is not sufficient as a personal restraint device.

- Use the posture belt as a complement, but not as a substitute to the 3-point safety belt, when transporting the wheelchair user in a vehicle.


## Closing and opening the posture belt

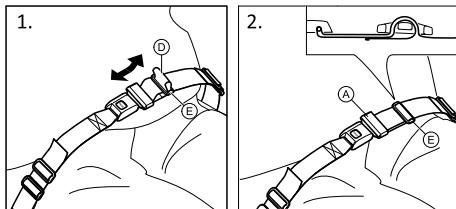


Ensure that you are sitting fully back in the seat and that the pelvis is as upright and symmetrical as possible.

1. To close, push the catch (A) into the buckle clasp (B).
2. To open, push the PRESS button (C) and pull the catch (A) out of the buckle clasp (B).

## Adjusting the length

 The posture belt has the good length, when there's just sufficient space for a flat hand between body and belt.



1. Shorten or extend the loop (D) as required.
2. Thread loop (D) through catch (A) and plastic buckle (E) until the loop is flat.

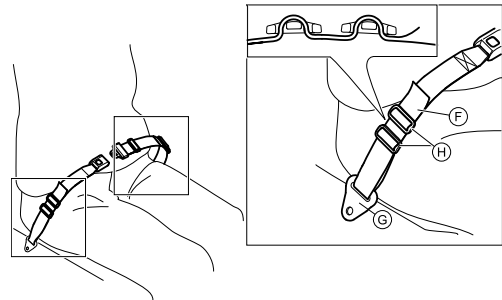
If this adjustment is not sufficient, it might be required to re-fit the posture belt at the fixations.

## Fitting the posture belt at the fixations



### CAUTION!

- Thread the belt loop through both plastic buckles to avoid the belt from loosening.
- Do the adjustments on both sides equally, so that the buckle clasp remains in a central position.
- Make sure that the belts do not get caught in the spokes of a rear wheel.



1. Thread the loop (F) through the fixation on the chair (G) and then through BOTH plastic buckles (H).

## 6 Usage

### 6.1 General warnings Usage



#### CAUTION!

##### Risk of sliding

- The seat must be positioned flat or tilted backwards if the user is left alone unattended.



#### CAUTION!

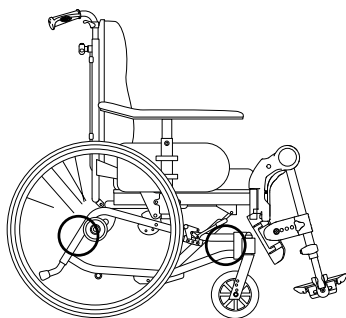
##### Risk of sliding

- If you have a very low seat height and / or use your feet to maneuver the wheelchair, the legrests can be removed. If so, be aware of the sliding risk!

### 6.2 Operating the wheelchair

We recommend that you have the chair tested by the qualified person who has prescribed the wheelchair, after he or she has made the adjustments that you request, taking your build and needs into account. We hope that you have also received help in learning how best to use the wheelchair. Start by practising carefully until you are familiar with the wheelchair's possibilities and limitations.

#### 6.2.1 Lifting the wheelchair



1. Always lift the wheelchair by grabbing the frame at the points shown in the picture.
2. Ensure that the backrest and push handles are securely in place.
3. Read the chapter Safety instructions/Propelling techniques.

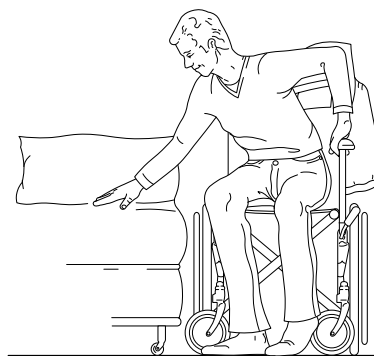
#### 6.2.2 Move to/from the wheelchair



#### WARNING!

##### Risk of tipping forwards

- The wheelchair could tip forwards if you use the footplates as support.
- Do not support yourself on the footplates when moving to/from the wheelchair.

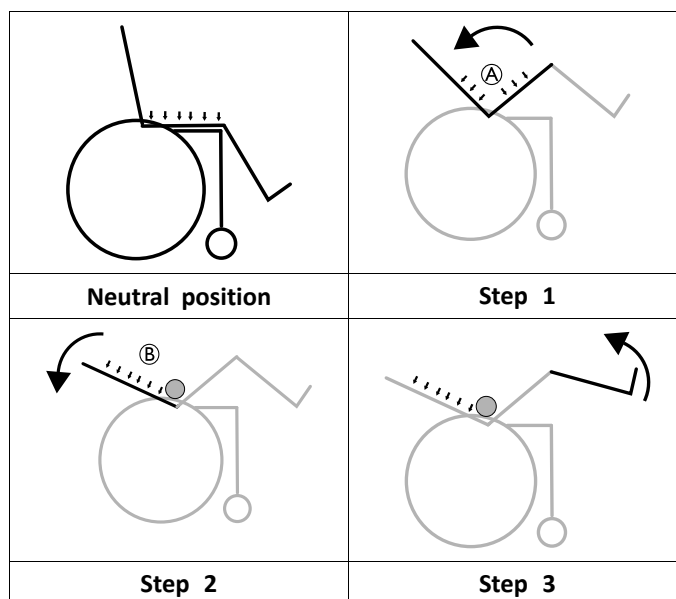


1. Propel the wheelchair as near as possible to the seat that you want to move to.
2. Apply the brake.
3. Remove the armrests or move them upwards out of the way.
4. Detach the legrests or swing them outwards.

#### 6.2.3 Using the tilt / recline function

To ensure a good positioning, follow these steps when using both the tilt and the recline function. See sections "Manual tilt and backrest angle adjustment" and "Electric tilt and backrest angle adjustment" for instruction about how to operate the tilt and/or the recline function.

##### Tilting / reclining from an upright position



1. Tilt the chair.
  - This enables the user to slide to the rear and supports a neutral pelvis position (A).
2. Recline the backrest
  - The weight will now shift to the back and enable a good posture, as the bottom has slid into a rear position (B).
3. Angle the legrests.

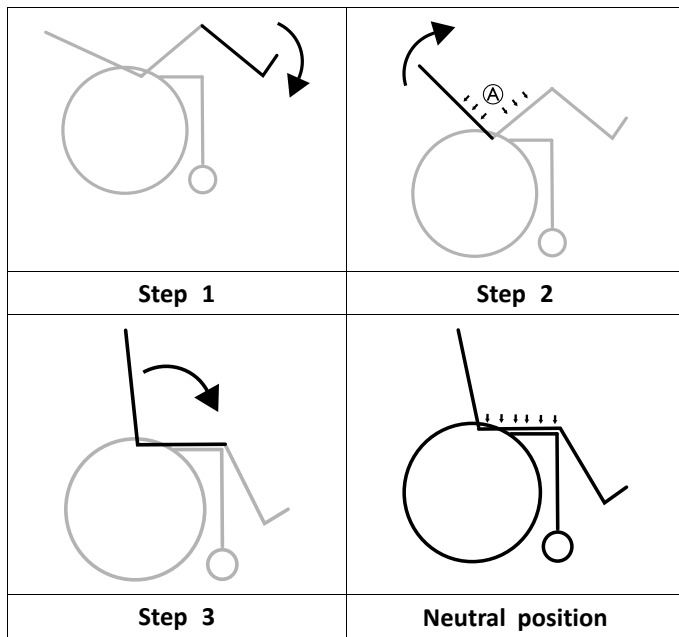


#### CAUTION!

##### Discomfort for the user

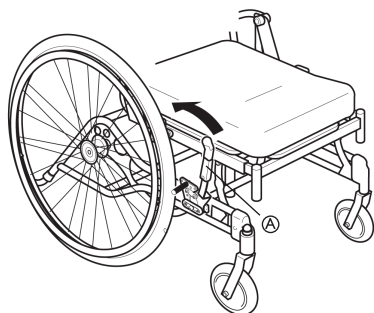
- The pelvis will be strained and the user can slide downwards in the chair.
- Ensure that the backside of the thighs (hamstrings) are in a relaxed neutral position when angling the legrests.

### Rising from a tilted / reclined position



1. Fold down the legrests.
2. Raise the backrest from the reclined position.
  - Raising the backrest before the tilt, preserves the neutral pelvis position (A).
3. Raise the tilted position.

### 6.2.4 Using the user operated brake



Start by checking that the tires have the correct air pressure (printed on the side of each tire).

The user brake is to be used when the chair is not moving, and is not intended for reducing speed when the chair is moving.

1. To apply the brake, move the lever (A) towards the rear (towards you).
2. To release the brakes, move the lever (A) forwards.

**CAUTION!**  
**Risk of trapping fingers**  
 – Be careful not to trap your fingers between the brake pin and rear wheel

### 6.2.5 Stretching and leaning



1. Propel the wheelchair as near as possible.



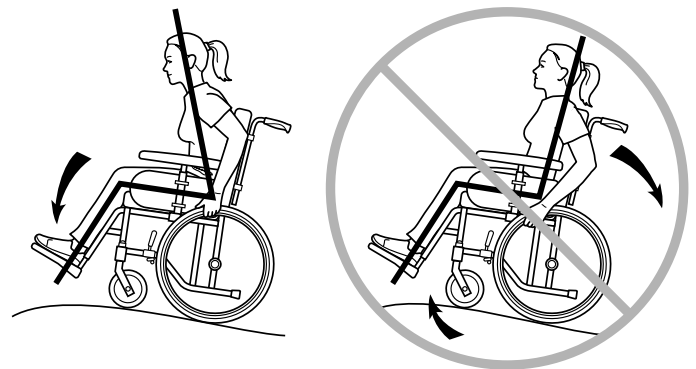
**WARNING!**

**Risk of tipping**

The wheelchair may tip over.

- Always have full contact between the backrest and the back. Stretching backwards is not recommended.

### 6.2.6 Propelling up a slope



Many experienced users can propel themselves up a slope. In order not to lose control of the steering and to avoid tipping backwards, you should always lean forwards whilst propelling up a slope. Propel the wheelchair forwards using short, quick strokes applied to the hand rims, in order to maintain speed and steering control.

The wheelchair can manage a slope of 15°, but steep slopes should be avoided for safety reasons. Generally, help is needed on steep slopes.



**WARNING!**

**Risk of tipping**

The wheelchair may tip if the slope is 8° or more.  
 – Use anti tip devices!



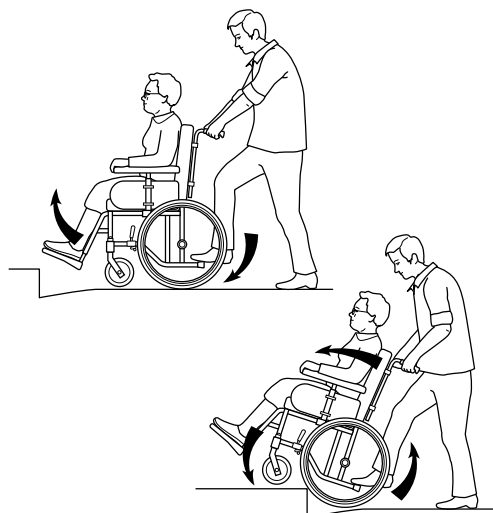
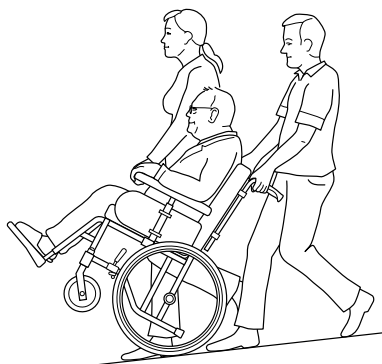
**WARNING!**

**Risk of tipping backwards**

When the wheelchair is already leaning backwards, a sudden movement may cause the wheelchair to tip backwards.

- If you have to stop on a slope, it is particularly important to ensure that you do not make any sudden or unexpected backward movements when you start moving the wheelchair forwards again.

## 6.2.7 Propelling down a slope



**i** The wheelchair can manage a slope of 15°.

### ! Risk of falling

- Steep slopes should be avoided for safety reasons.
- We recommend that you obtain the help of one or more assistants when going down steep and wet slopes.



### WARNING!

#### Risk of falling/injury

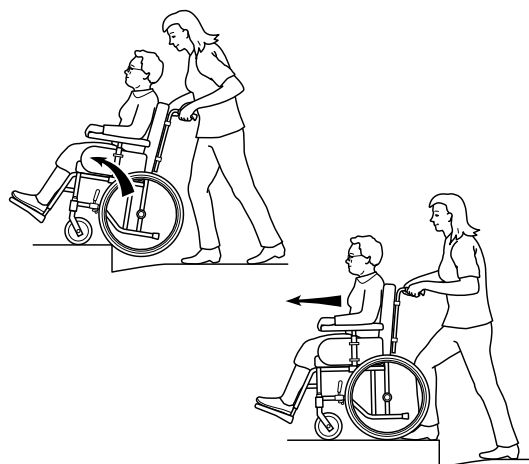
- The wheelchair may move forward uncontrollably.
- Check the slope to see if there are any particular hazards, potholes, slippery sections.
  - Never use the user-operated brake to slow down. When you apply the brake on a downward slope, the wheels lock and the wheelchair can suddenly pull to one side, tip sideways or stop immediately. This may cause you to be thrown out of the chair.
  - Always control the speed with the hand rims.
  - Try to propel down the slope in a straight line as much as possible.



### CAUTION!

#### Risk of minor injury

- Remember that the hand rims may become hot due to friction, and this may cause injury to your hands.



1. Adjust the anti-tip devices upwards. Ensure that the user's feet rest securely on the footrests and cannot slide off. Then tilt the wheelchair backwards and push it forwards against the kerb.
2. Lower the frontal part of the wheelchair onto the pavement and place yourself as close to the chair as possible, before you lift up the whole wheelchair.
3. Lean forward and lift/roll the wheelchair over the pavement edge.
4. Lower the wheelchair onto the pavement so that the weight is divided on all four wheels. Ensure that the wheelchair does not roll backwards.



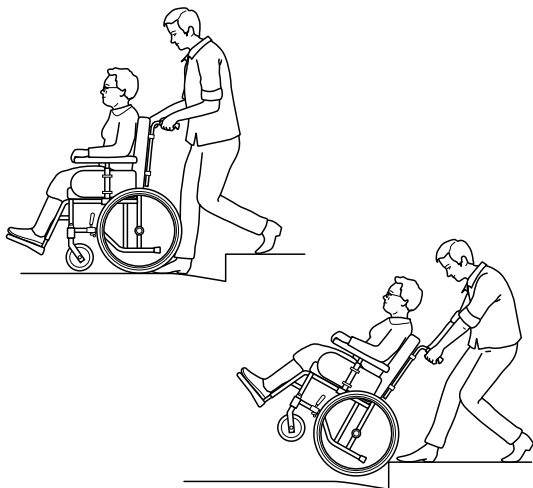
To dismount kerb, follow the procedure above, but in reverse order (step 4, 3, 2 and then 1) to move off a kerb.

## 6.2.8 Climbing a kerb

This method is for when the assistant is always behind the wheelchair and it creates the greatest safety for the user. The following advice is for the assistant:

## 6.2.9 Kerbs — alternative method

This method is generally used by experienced assistants who are stronger than average. It can also be used when the kerb or step is low and only constitutes a minimal obstacle.



1. The assistant steps backwards onto the pavement and pulls the wheelchair up onto the pavement.
2. Tip the wheelchair backwards and roll the chair over the kerb onto the pavement.



**CAUTION!**

**Risk of injury**

Incorrect method could cause injury to the assistant.

- It is important for the assistant to use his or her body correctly to prevent injury.

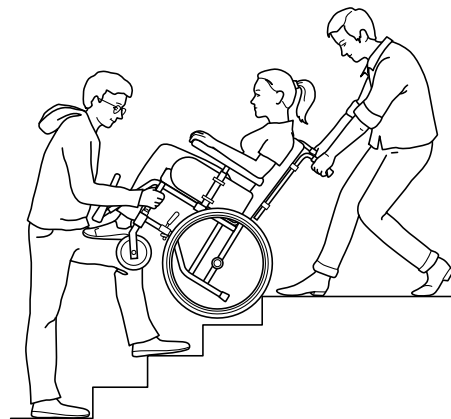


Take particular care if the kerb is wet or slippery.

**6.2.10 Escalators and stairs**



Do not use escalators when you are in the wheelchair. Find out whether there is a lift nearby.



1. Check that the push handles/push bar are securely fixed in place before you start.
2. Fold the anti-tip devices upwards.
3. Balance the wheelchair on the rear wheels until the balance point is found.
4. Transfer the wheelchair down the stairs, step by step, let the rear wheels reel over the edge of each step.



**Risk of injury**

Lifting the wheelchair incorrectly may injure the assistant.

- Do not lift the wheelchair by gripping the removable armrests or legrests.
- Lift the wheelchair at the correct points, use the legs when lifting and keep the back as straight as possible.



We recommend that you receive help from two assistants to get up and down stairs. One assistant walks in front of the chair holding the frame of the wheelchair, whilst the other assistant walks behind the chair, holding the push handles.

## 7 Transport

### 7.1 Safety information

We would like to inform you about the transport of wheelchairs with seated users in vehicles that are especially adapted for this purpose. First and foremost, we would like to point out that it is always the safest option for the user to be transported in the vehicle's regular seat fastened with the regular safety belt. Invacare cannot recommend transport seated in the wheelchair. But, we are aware that there are users and situations that require vehicle transport seated in the wheelchair. In these cases, the safety rules in this section must be followed in order to reduce the risk of injury in the case of an accident.

Please also read section: "Compliance" for further information.

The wheelchair/mobility base has been tested according to the specifications in ISO 7176-19 "Wheeled mobility devices for use as seats in motor vehicles". This standard is developed by authorities and specialists and states a minimum demand on wheelchairs regarding transportation in vehicles.

However, in situations where conditions defer from the test conditions or where the guidelines in this manual are not followed, Invacare cannot be held responsible for the possible outcome of an accident. Configurations and accessories that are unsuitable to be used as a seat in transportation in a vehicle are mentioned later on in this chapter.

Please also read section: "Compliance" for further information.



**WARNING!**  
**Risk of injury**

– Safety restraint devices must only be used when the wheelchair user's weight is 22 kg or more. When the user weight is lower than 22 kg, do not use the wheelchair as a seat in a vehicle.



**WARNING!**  
**Risk of serious injury during transport**

In a vehicle, a user in his wheelchair must be secured by a safety belt (3-point belt). A posture belt only is not sufficient as a personal restraint device.

– Use the posture belt as a complement, but not as a substitute to the 3-point safety belt, when transporting the wheelchair user in a vehicle.

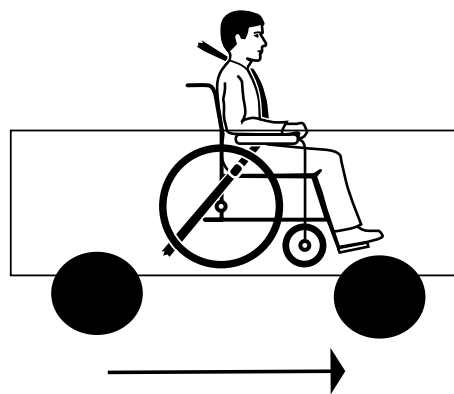


**WARNING!**  
**Risk of injury if the wheelchair is not properly secured**

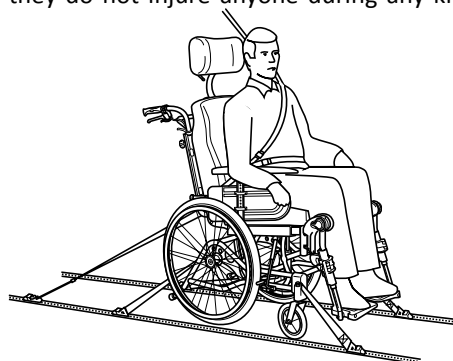
In the event of an accident, braking manoeuvre, etc. you may suffer serious injuries from flying wheelchair parts.

– Always remove the rear wheels when transporting the wheelchair.  
– Firmly secure all wheelchair components in the means of transport to prevent them from coming loose during the journey.

### 7.2 Transporting occupied / unoccupied wheelchairs in vehicles



1. The wheelchair and user should be transported forward-facing in the travel direction. All auxiliary equipment such as tables, trunk support, abduction cushion etc should be removed and stored safely so that they do not injure anyone during any kind of accident.

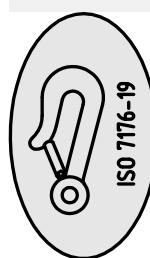


2. The wheelchair should be secured in the vehicle with a 4-point restraint system. The user should wear a 3-point safety belt secured in the vehicle.



**WARNING!**  
**Risk of injury**

– Both the 4-point restraint system and the 3-point safety belt must be approved according to ISO-10542-2.




3. The tie-down points on the wheelchair where the restraint system straps should be placed are marked with this symbol.

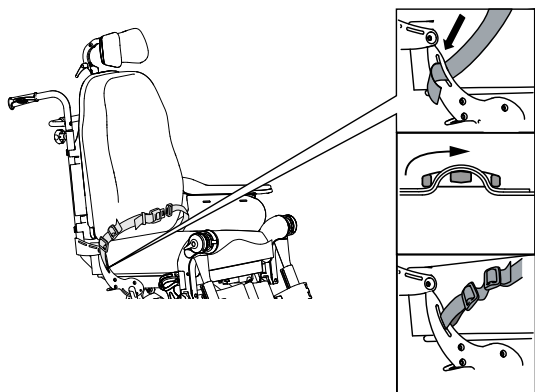


For vehicles where the wheelchair cannot be restrained, there are no existing test methods. If there are existing marked areas for wheelchairs in the vehicle, we recommend to use these and follow the guidelines, if any, for placing the wheelchair.


### 7.2.1 Backrest and seat angles

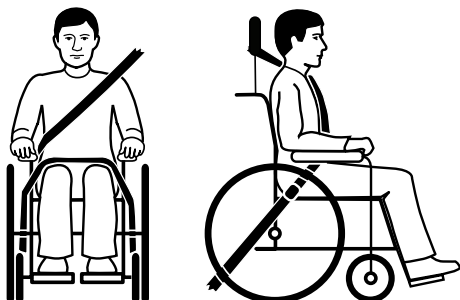
-  When transporting an occupied wheelchair in a vehicle, the recommended angles for backrest and seat, are 2° for the backrest and 6° for the seat.

### 7.2.2 Posture belt



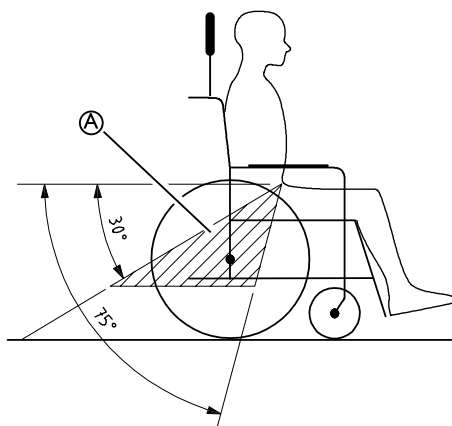
1. In order to be used as a seat during transport in a vehicle, the wheelchair must be equipped with a posture belt.

 Invacares original posture belt must be used as a complement to the safety belt in the vehicle!




2. The vehicle's safety belt should fit as tightly across the user's body as possible without discomfort. The upper part of the safety belt should fit over the user's shoulder as illustrated. No part of the safety belt must be twisted.

 No part of the safety belt must be twisted.



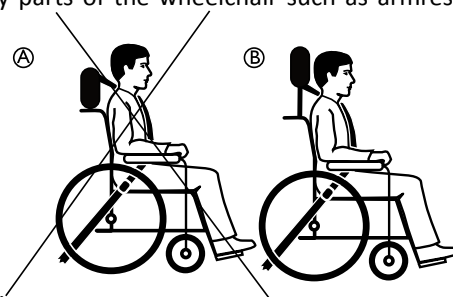
3. The pelvic part of the 3-point safety belt must be worn low across the pelvis. The angle of the posture belt shall be within the preferred zone (A).

 The angle of the posture belt must never exceed 75°.



 Incorrect placement of safety belt

4. The 3-point safety belt must not be held away from the user's body by parts of the wheelchair such as armrests



or wheels etc.

- (A) Incorrect placement of the neckrest
- (B) Correct placement of the neckrest

5. A neckrest should always be used during transport and it should be adjusted as shown in the picture.

### 7.2.3 Ramps and slopes



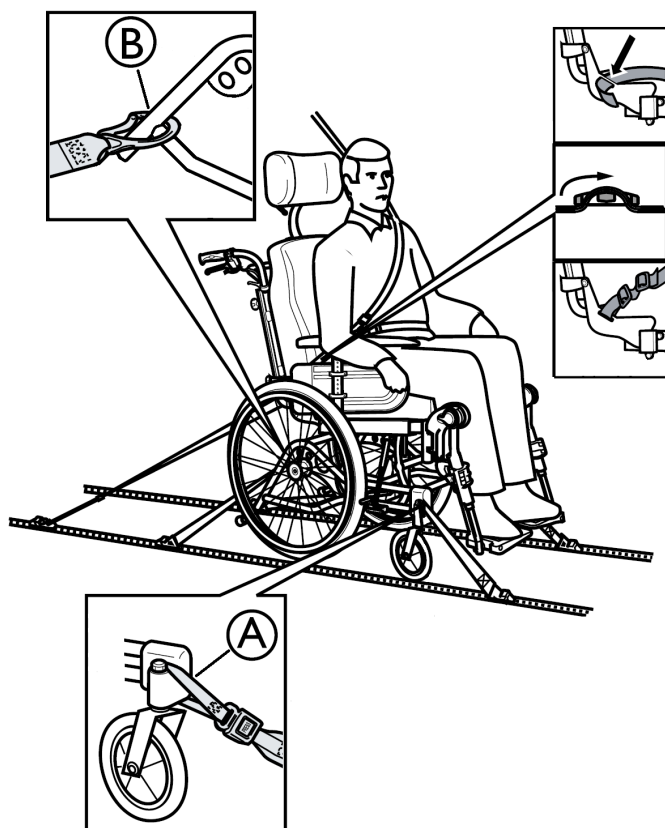
**WARNING!**  
**Risk of injury**

The wheelchair can move forward / backward uncontrollably by mistake.

- Never leave the user unattended when transporting the wheelchair up or down ramps or slopes.



### 7.3 Restraint methods



#### 7.3.1 Frontal restraints with straps

1. Connect the frontal straps around the castor attachment **A**.
2. Release brakes and tension front straps by pulling the wheelchair backwards.
3. Re-apply wheelchair brakes.

#### 7.3.2 Fastening of posture belt and safety belt

1. Check that the posture belt on the wheelchair is correctly fastened.
2. Fasten the vehicle's 3-point safety belt around the user.

**i** If there is no posture belt in on the wheelchair the user must transfer to the seat of the vehicle.

**i** The vehicle's 3-point safety belt should not be kept from the user's body by the parts of the wheelchair.



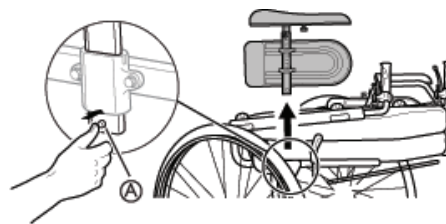
**WARNING!**  
**Risk of injury**

The user is not securely restrained in the vehicle.  
 – Never use only the posture belt as a safety belt during transport.  
 – The vehicle's 3-point safety belt must always be used to secure the user during transport.

### 7.4 Disassembly for transport

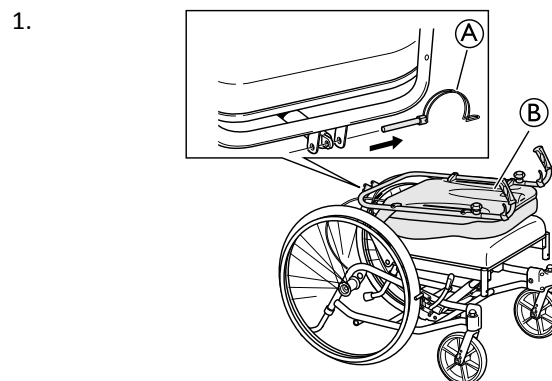
The wheelchair is easy to prepare for transport.

#### 7.4.1 Armrest

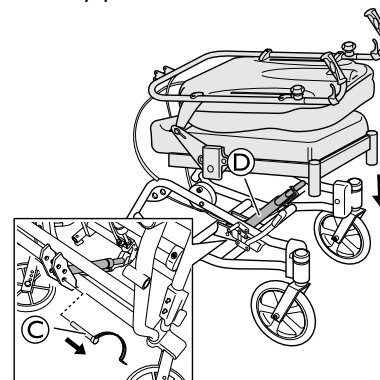


1. Press and hold the release button **A**.
2. Remove the armrest.

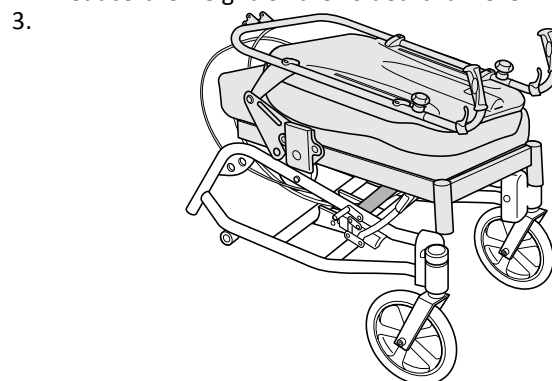
#### 7.4.2 Folding the backrest



1. Remove the safety pin **A** and fold the backrest **B**.
- 2.



Remove the pin **C** from the lower gas piston **D** to reduce the height of the folded chair even more.



Fold the chair and load it into the vehicle.



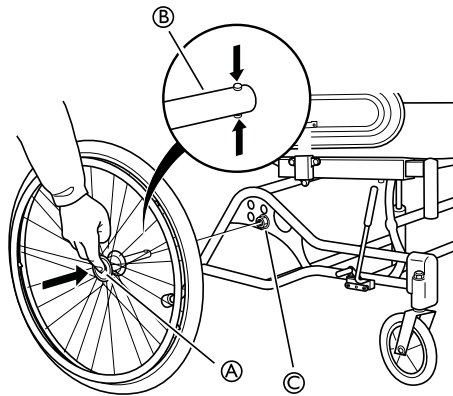
**CAUTION!**  
**Risk of pinching**

– Be careful not to trap your fingers between the seat and the frame.

### 7.4.3 Angle adjustable leg rests

To install or remove the Swing away, Angle adjustable leg rest, refer to  
→ 4.5.1 Swing away, angle adjustable leg rests, page 11.

1. Push the quick-release button (A).
2. Pull the rear wheel straight out and remove the wheel and the rear wheel axle (B) from the rear wheel attachment (C).



## 8 Maintenance

### 8.1 Safety information



#### WARNING!

Some materials deteriorate naturally over time. This could result in damage to wheelchair components.

- Your wheelchair should be checked by a authorized dealer at least once a year or if it has not been used for a long period.



Your Invacare authorized dealer can provide help in carrying out regular maintenance. To find an authorized dealer near you, contact the Invacare distributor for your country (end of this document).



#### Packaging for return


The wheelchair shall be sent to the authorized dealer in an appropriate packaging to avoid damage during the shipment.

### 8.2 Daily performance check

Check that the following parts are correctly mounted on the wheelchair:

- Wheels
- Backrest
- Anti-tip device
- Push handles
- Footrests

### 8.3 Maintenance schedule

Check....	Weekly	Monthly	6 months	Action:
Tire pressure	X			Recommended air pressure for rear wheels: Standard tires            3.5 bar            50 psi Recommended air pressure for castors: Low profile tires            8"            4.0 bar
QR axles rear wheels	X			Pull on the rear wheel to check that the removable axle does not come off.
All fasteners for wear and tightness		X		Bolts and other fasteners can come loose due to constant use. 1. Check that the fasteners are tight on the castor forks, footrest, seat, side supports, backrest, handles etc. 2. Tighten any loose bolts.
Castors		X		1. Check that the castors turn freely. 2. Remove any dirt and hair.
Anti-tip devices			X	Check that the anti-tip device is easy to adjust and fold.
Chassis			X	Check the chassis for wear and tear like loose parts, cracks or other defects.  A damaged chassis should be checked by a specialist.
Upholstery			X	Check the upholstery for wear and tear like loose parts, rips or other defects.
Brakes		X		1. Check that hub brakes work properly on both tires. 2. Check the positioning of the user brakes.

### 8.4 Flat tire



In case of a tire puncture consult a suitable workshop (e.g. bike repair shop, bicycle dealer ...) to have the tube replaced by a skilled person.

### 8.5 Cleaning

- Wipe metal parts and the upholstery regularly with a damp cloth.

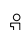
- A mild detergent may be used.
- If necessary, the upholstery can be washed at 60° C.
- Normal washing powder/liquid may be used.



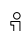
If possible, always overlap hook and loop strips (the self-gripping parts) when washing, to minimize lint and thread build-up on hook strips and prevent damage to upholstery fabric by these.

## 8.6 Washing

1. Remove all loose and removable covers and wash them in a washing machine according to the washing instructions for each cover.
2. Remove all padded parts such as seat cushions, armrests, headrest/neckrest with fixed padded parts, calf pads and so on and clean them separately.

 The padded parts can not be cleaned with a high-pressure cleaner or water jet.

3. Spray the wheelchair chassis with detergent, for example a car-cleaning agent with wax, and leave on to work.
4. Rinse the wheelchair chassis with a high-pressure cleaning or ordinary jet of water depending on how dirty the wheelchair is. Do not aim the jet towards bearings and draining holes. If the wheelchair chassis is washed in a machine the water must not be hotter than 60° C.

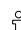
 Only use water and soft soap to clean the table!

5. Leave the wheelchair to dry in a drying cabinet. Remove parts where water has collected for example in end tubes, ferrules etc. If the wheelchair has been washed in a machine, blow-drying with compressed air is recommended.

## Dartex®

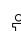
Lighter stains on the fabric may be neutralized with a soft damp cloth and some neutral detergent. To neutralize larger, more persistent stains, wipe the fabric with alcohol or turpentine substitutes, and wash with hot water and a neutral detergent.

The fabric can be washed at temperatures up to 71° C (160° F). Normal detergents can be used.

 All parts of the wheelchair with Dartex® upholstery, such as armrest pads, calf pads, headrest/neckrest, should be cleaned according to the instruction above.

## 8.7 Disinfection

The wheelchair may be disinfected by spraying or wiping with tested, approved disinfectants.

 Spray a soft cleaning and disinfecting product (bactericidal and fungicide meeting the EN1040 / EN1276 / EN1650 standards) and follow the instructions given by the manufacturer.

## 9 After Use

### 9.1 Recycling

The wheelchair can be divided into the following main components:

- Chassis
- Plastic parts
- Upholstery
- Wheels, tires and tube
- Packing

### 9.2 Waste disposal

Please be environmentally responsible and recycle this product through your recycling facility at its end of life.


Waste disposal must comply with the laws and regulations pertaining waste handling in each country.

Invacare® is continuously working towards ensuring that the company's impact on environment, locally and globally, is reduced to a minimum. We only use REACH compliant materials and components.

The wheelchair can be divided into the following main components:

#### Chassis

- The chassis is produced in steel and is fully recyclable.
- Recycling of steel requires only 20-25% of the energy compared to new produced steel.
- The wheelchair has two gas pistons and they contain oil and must be disposed according to national requirements.

 Be aware of that the gas pistons contains high pressure and must be handled with care during destruction.

#### Plastic parts

- The plastic parts in the chairs are produced of "Thermoplastic" and are marked with recycling symbols (where it is possible due to part size).

- The main plastic material is polyamide.
- The plastic materials for the table are ABS and polyamide.
- This material can be recycled or burned in approved facilities.

#### Upholstery

- Upholstery is produced of polyester fibres (PUR) and Dartex®.
- The efficient way to recycle the parts is to burn them in approved facilities.

#### Wheels, tires and tubes

- The handrim, rim, spokes and hub are made of steel, stainless steel or aluminium and can be recycled according to above.
- Tires and tubes are made of rubber and can be recycled according to above.

#### Packing

- All packing material is developed to fit the products in an optimal way to reduce unnecessary material waste.
- All boxes are recyclable.

#### End of life

At the end of this products life, it should be recycled according to laws and regulations for waste handling in each country.



Contact your local recycling agent to obtain the correct information on how to handle the above mentioned materials.

### 9.3 Reuse


This product is suitable for reuse after the following has been performed by a specialist dealer:

- Cleaning and disinfection
- Full inspection
- Reconditioning


## 10 Technical Data

### 10.1 Dimensions and weights

All dimension and weight specifications refer to a wide range of the wheelchair in a standard configuration. Dimension and weight (based on ISO 7176-1/5/7) may alter according to different configurations.

 **WARNING!**  
**Limited access to emergency escape routes**  
 – In some combinations, the total width and length of the wheelchair exceeds the recommended measurements for emergency escape routes.  
 – The recommended values concerning access to emergency escape routes are: Length max. 1200 mm and width max. 700 mm.

	CLEMATIS
Effective seat width *	390 / 440 / 590 mm
Seat depth	420–480 mm
Seat height *1	400–450 mm
Backrest height *1 / *2	600–710 mm
Armrest height (Armrest to seat distance) *1	230–340 mm
Legrest length (Footrest to seat distance)	362–627 mm
Overall width *4	SW +230 mm
Tilt adjustment (seat plane angle)	-1° – +19°
Total height	960–1120 mm
Total length (Overall length with legrests)	1120–1495 mm
Weight	30 / 32 /33,5 kg
Max. user weight	125 kg
Transport weights *3	20,5 / 21 / 21,5 kg
Backrest adjustment	-1° – +32°
Folded length	840 mm
Folded width	585 / 635 / 685 mm
Folded height	535 mm
Static stability uphill	12° – 18°
Static stability downhill	10° – 18°
Static stability sideways	12°
Maximum slope with parking brake	7°
Leg to seat surface angle	105° – 180°
Front location of armrest structure	343 – 571 mm
Handrim diameter	450 – 540 mm
Horizontal location of axle	-35 – 35 mm
Minimum turning radius	820 mm


 \* +20 mm with spacers

\*1 Measured from seat plate.

\*2 Excluding neckrest and push handles

\*3 Without rear wheels, neckrest, armrests, legrests, trunk supports and seat cushion

\*4 Overall width + 10 mm (when equipped with hub brake 22" or 24")

 In some configurations, the overall dimensions exceed the recommended dimensions for a wheelchair.

	305 mm (12")	515 mm (20")	560 mm (22")	600 mm (24")
Width of the wheels	45 mm (1 3/4")	35 mm (1 3/8")	25 mm (1") - 35 mm (1 3/8")	25 mm (1") - 35 mm (1 3/8")
Wheel inclination	0° (Wheelchair without load)			

### 10.1.1 Maximum weight of removable parts


Maximum weight of removable parts	
Part:	Maximum weight:
Leg rest angle adjustable with calf pad and footrest	3,2 kg
Armrest	2,0 kg
Rear wheel 600 mm (24") solid with handrim and spoke guard	2,5 kg
Headrest / Neckrest / Cheek support	1,4 kg
Trunk support	0,8 kg
Backrest cushion	2,0 kg
Seat cushion	1,9 kg
Table tray	3,9 kg

## 10.2 Material

Chassis, backrest tubes	Steel, powder coated
Plastic parts like push handles, brake handles, foot plates and parts of most accessories	Thermoplastic (e.g. PA, PE, PP, ABS and TPE) according to marking on the parts
Upholstery (seat and backrest)	Foam PUR and Polyether, fabric Dartex® and plush
Table	ABS
Seat plate	Coated Birch plywood
Other metal parts	Zink alloys, aluminium alloys and steel
Screws, washers and nuts	Steel, corrosion free

## 10.3 Environmental conditions

	Long term / Short term storage and transportation	Operation
Temperature	-10° C to +50° C	-5° C to +40° C
Relative humidity	20% to 75%	
Atmospheric pressure	800 hPa to 1060 hPa	

 Be aware that when a wheelchair has been stored under low temperatures, it must be adjusted to operating conditions before use.

## Invacare distributors

### United Kingdom:

Invacare Limited  
Pencoed Technology Park, Pencoed  
Bridgend CF35 5AQ  
Tel: (44) (0) 1656 776 222  
Fax: (44) (0) 1656 776 220  
uk@invacare.com  
www.invacare.co.uk

### Ireland:

Invacare Ireland Ltd,  
Unit 5 Seatown Business Campus  
Seatown Road, Swords, County Dublin  
Tel : (353) 1 810 7084  
Fax: (353) 1 810 7085  
ireland@invacare.com  
www.invacare.ie

### Australia:

Invacare Australia Pty. Ltd.  
1 Lenton Place, North Rocks NSW 2151  
Australia  
Phone: 1800 460 460  
Fax: 1800 814 367  
orders@invacare.com.au  
www.invacare.com.au

### New Zealand:

Invacare New Zealand Ltd  
4 Westfield Place, Mt Wellington 1060  
New Zealand  
Phone: 0800 468 222  
Fax: 0800 807 788  
sales@invacare.co.nz  
www.invacare.co.nz

### Asia:

Invacare Asia Ltd.  
1 Lenton Place, North Rocks NSW 2151  
Australia  
Phone: (61) (02) 8839 5333  
Fax: (61) (02) 8839 5343  
asiasales@invacare.com  
www.invacare.com



Invacare France Operations SAS  
Route de St Roch  
F-37230 Fondettes  
France

