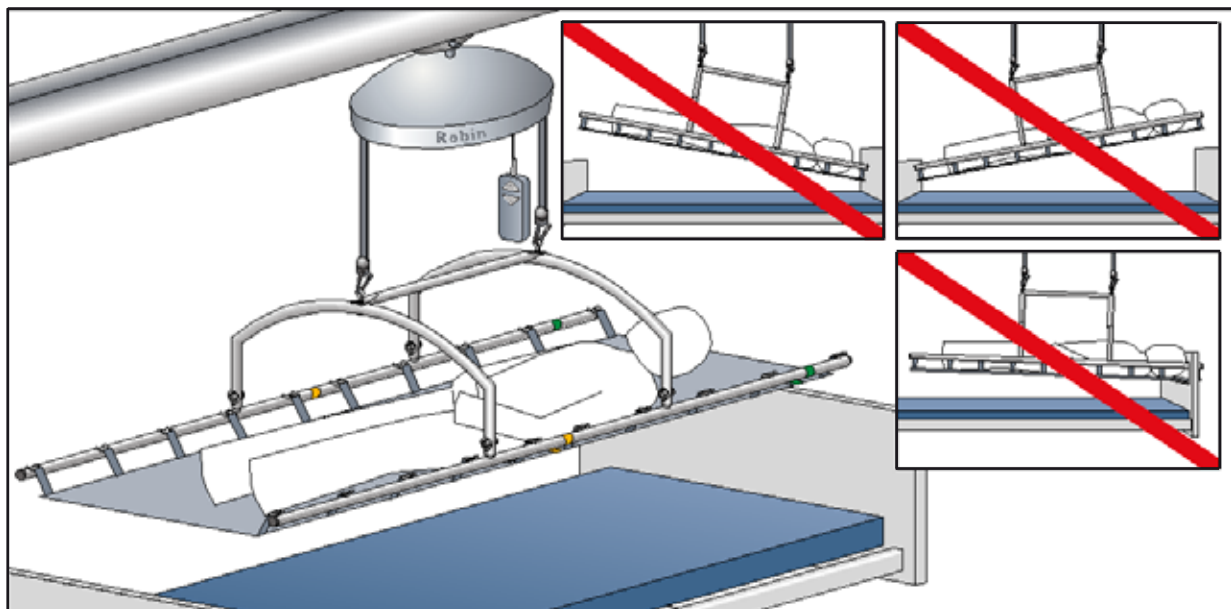
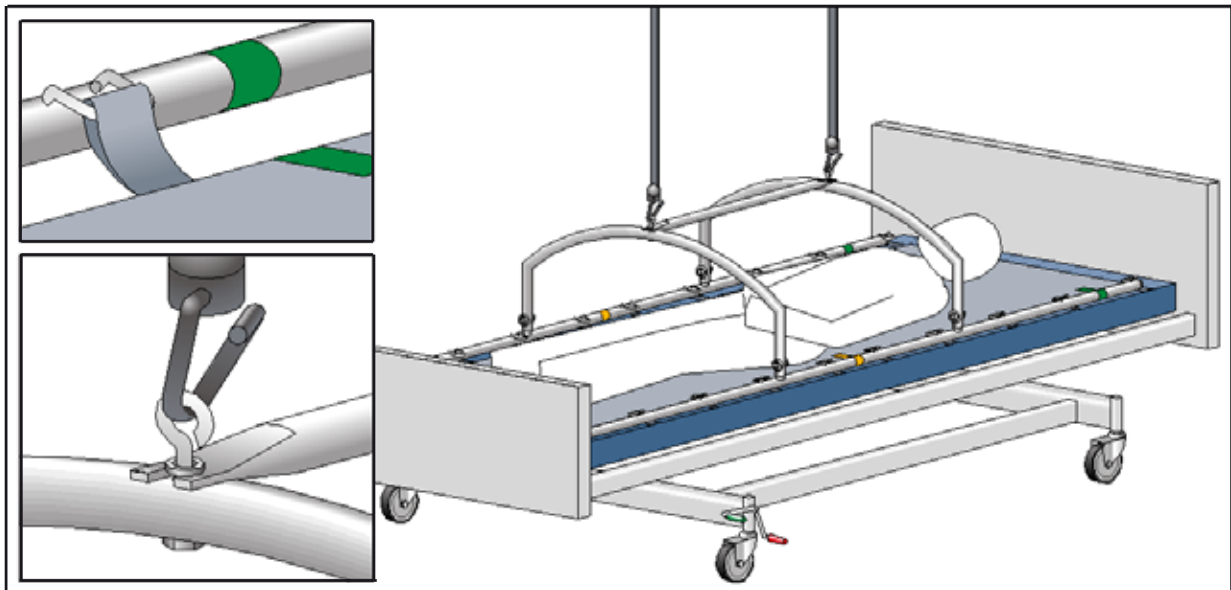
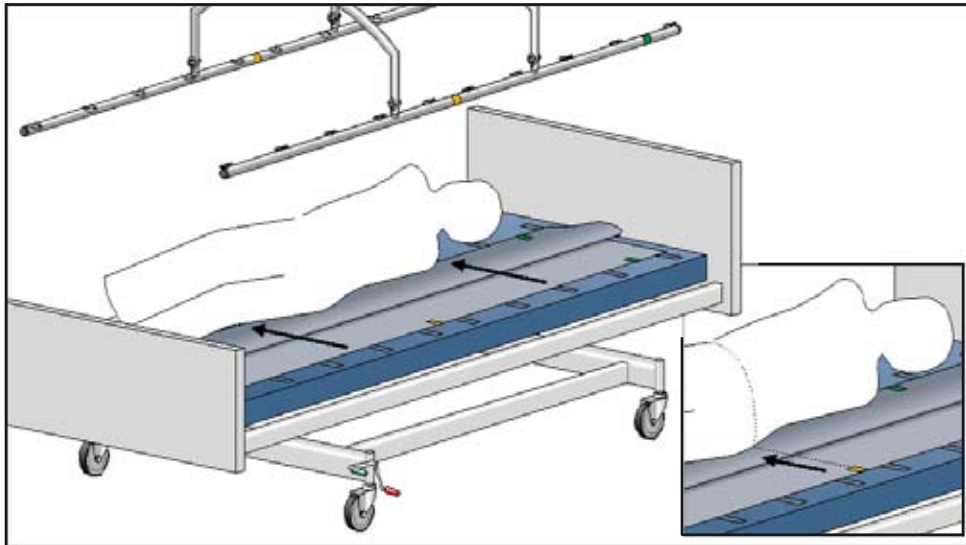
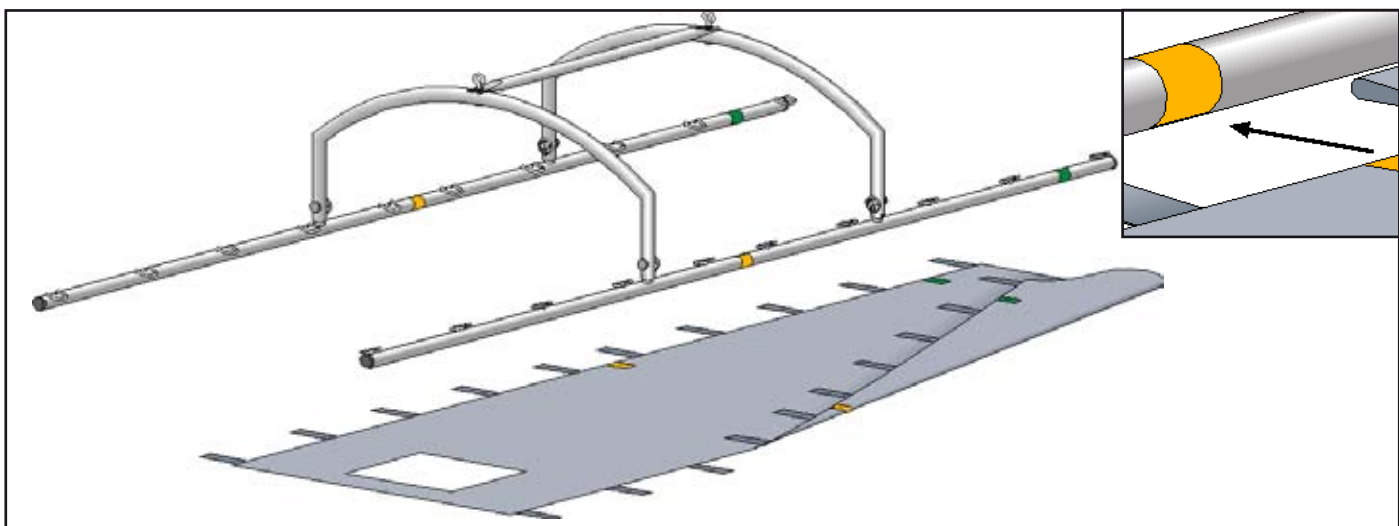
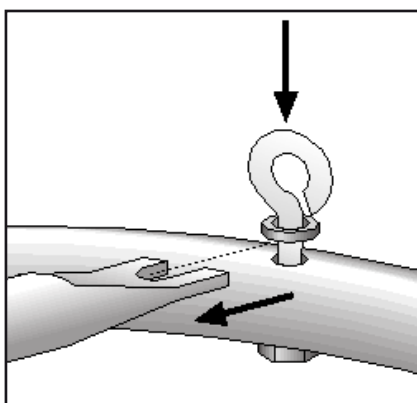
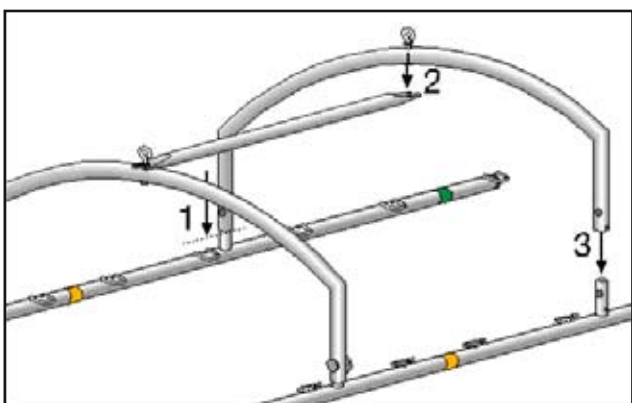
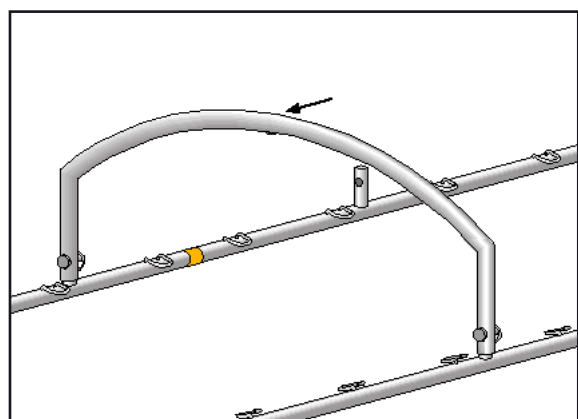
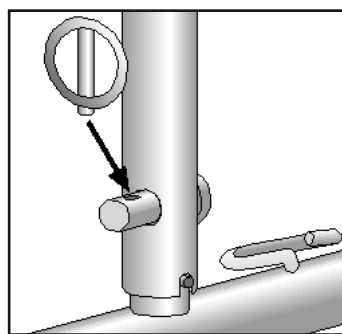
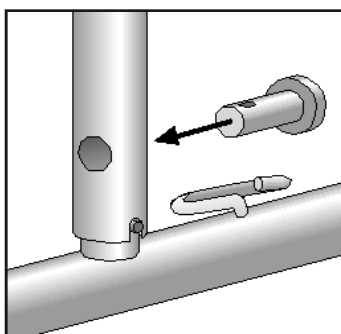
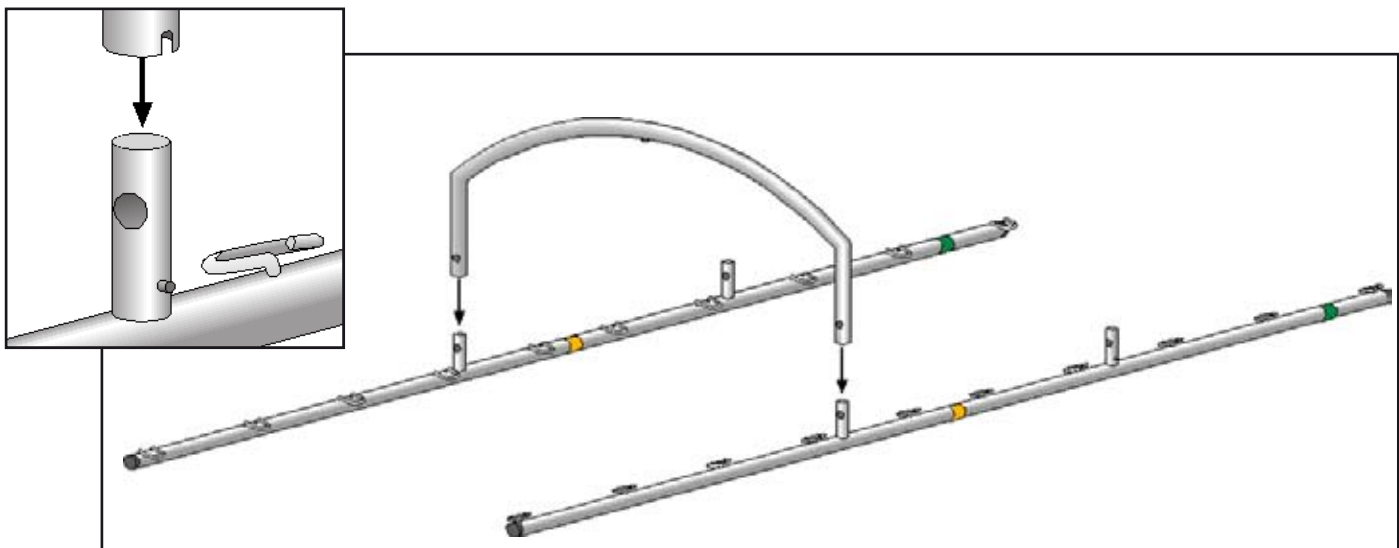




Yes, you can.®

# Invacare Stretcher





**Invacare A/S**

Sdr. Ringvej 39, 2605 Brøndby, Tlf.: 36 90 00 00 – Fax: 36 90 00 01  
 E-mail: danmark@invacare.com, www.invacare.dk

Ident. nr.: I504638  
 Version 01 06.2007