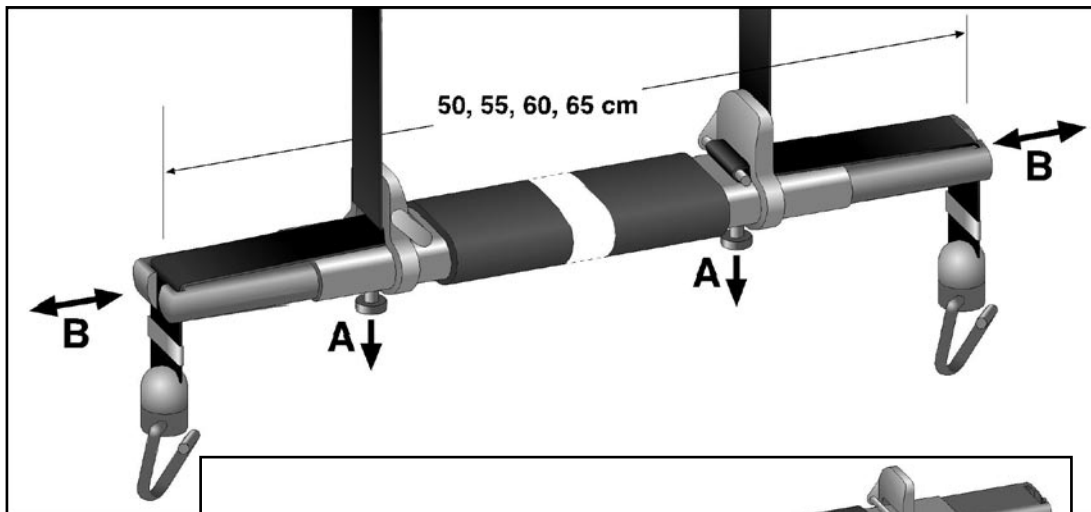
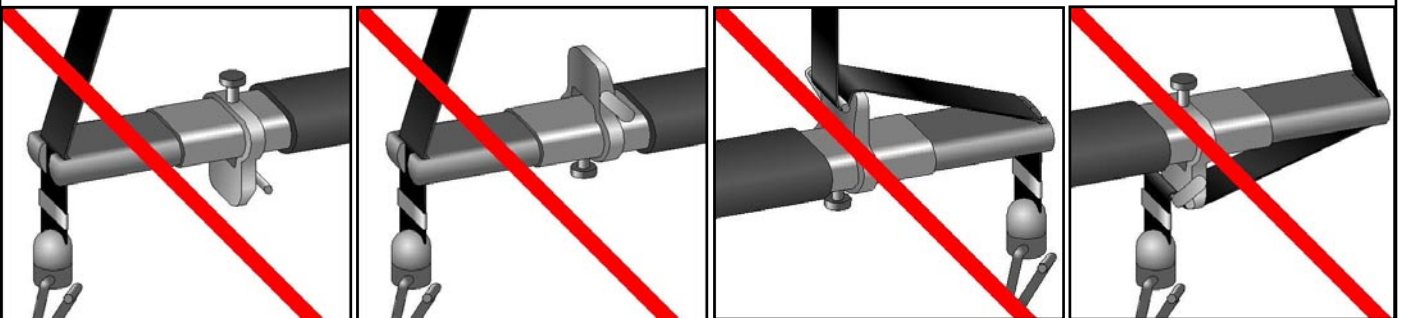
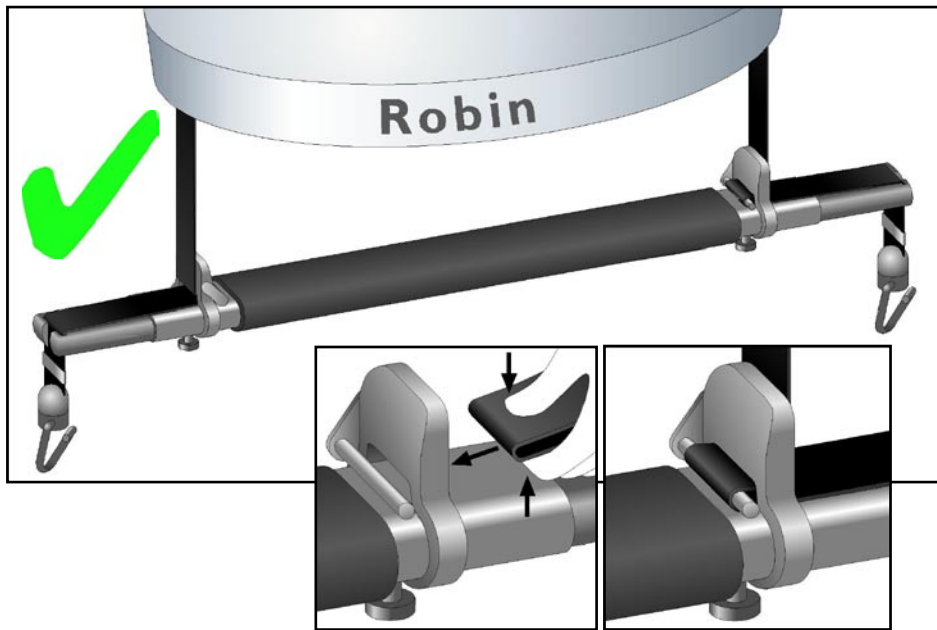

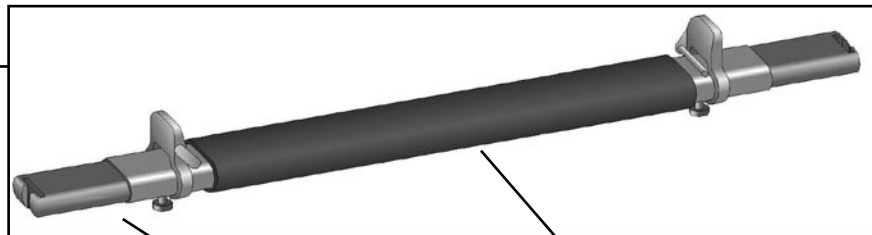




Yes, you can.



 = 200 kg.



Invacare Sales

Belgium & Luxemburg:

Invacare nv
Autobaan 22
B-8210 Loppem
Tel: (32) (0)50 83 10 10
Fax: (32) (0)50 83 10 11
belgium@invacare.com
www.invacare.be

Danmark:

Invacare A/S
Sdr. Ringvej 37
DK-2605 Brøndby
Tel: (45) (0)36 90 00 00
Fax: (45) (0)36 90 00 01
denmark@invacare.com
www.invacare.dk

France:

Invacare Poirier SAS
Route de St Roch
F-37230 Fondettes
Tel: (33) (0)2 47 62 64 66
Fax: (33) (0)2 47 42 12 24
contactfr@invacare.com
www.invacare.fr

Ireland:

Invacare Ireland Ltd,
Unit 5 Seatown Business Campus
Seatown Road, Swords, County Dublin
Tel : (353) 1 810 7084
Fax: (353) 1 810 7085
ireland@invacare.com
www.invacare.ie

Italia:

Invacare Mecc San s.r.l.,
Via dei Pini 62,
I-36016 Thiene (VI)
Tel: (39) 0445 38 00 59
Fax: (39) 0445 38 00 34
italia@invacare.com
www.invacare.it

Nederland:

Invacare BV Galvanistraat
14-3
NL-6716 AE Ede
Tel: (31) (0)318 695 757
Fax: (31) (0)318 695 758
nederland@invacare.com
www.invacare.nl

Norge:

Invacare AS
Grensesvingen 9, Postboks 6230,
Etterstad
N-0603 Oslo
Tel: (47) (0)22 57 95 00
Fax: (47) (0)22 57 95 01
norway@invacare.com
www.invacare.no

Sverige:

Invacare AB
Fagerstagatan 9
S-163 53 Spånga
Tel: (46) (0)8 761 70 90
Fax: (46) (0)8 761 81 08
sweden@invacare.com
www.invacare.se

United Kingdom:

Invacare Limited
Pencoed Technology Park, Pencoed
Bridgend CF35 5AQ
Tel: (44) (0) 1656 776 222
Fax: (44) (0) 1656 776 220
uk@invacare.com
www.invacare.co.uk

Eastern Europe, Middle East & CIS:

Invacare EU Export
Kleiststraße 49
D-32457 Porta Westfalica / Germany
Tel: (49) (0)57 31 754 540
Fax: (49) (0)57 31 754 541
webinfo-eu-export@invacare.com
www.invacare-eu-export.com



Invacare Portugal, Lda
Rua Estrada Velha 949
4465-784 Leça do Balio
Portugal