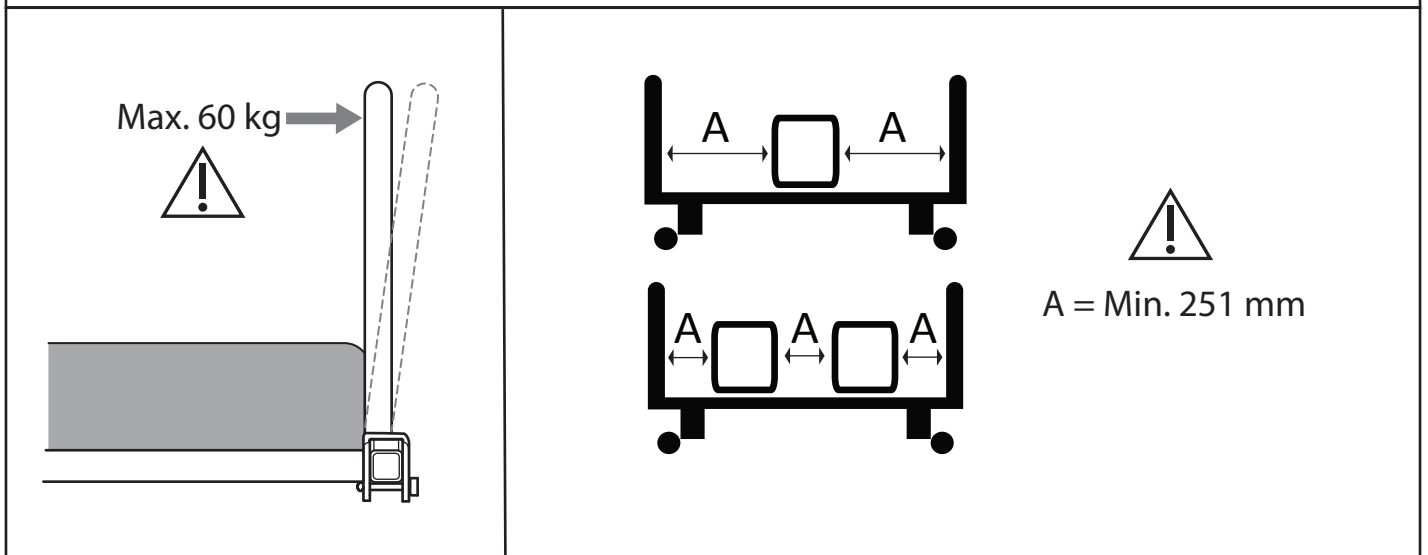
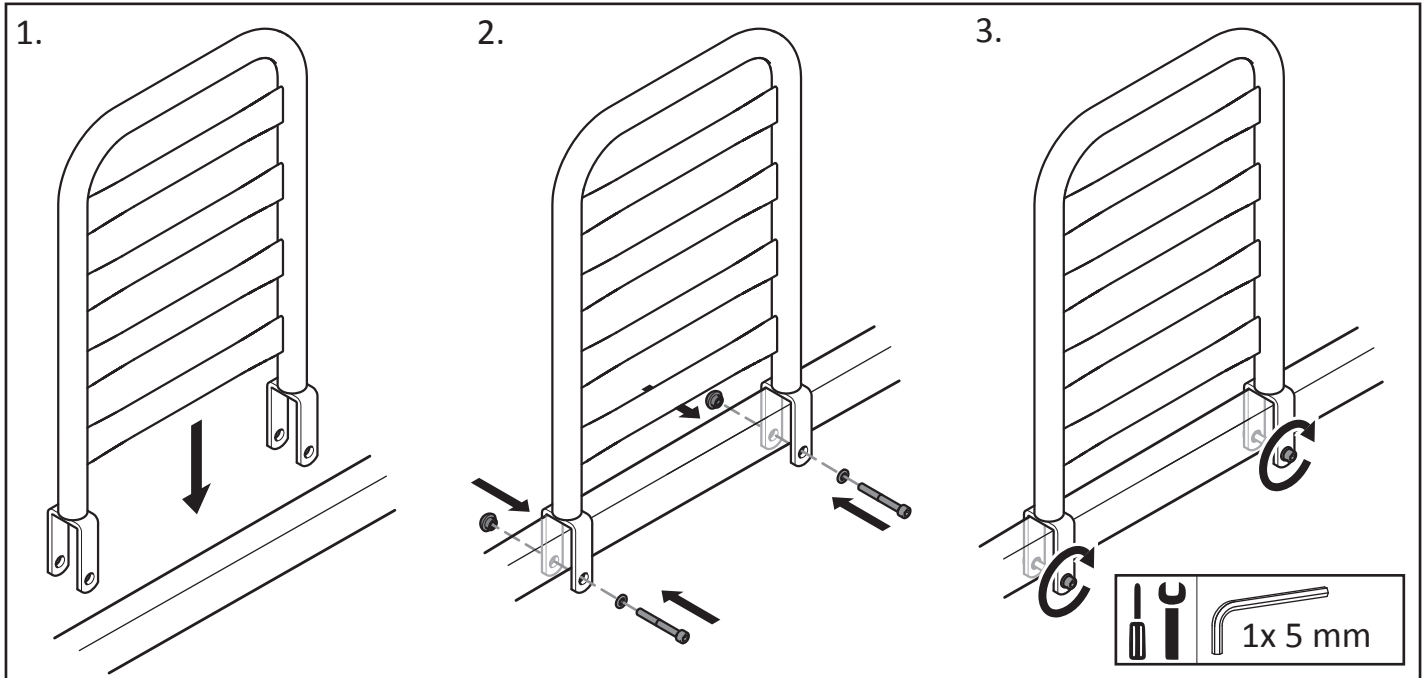


1552638-xxxx

Support Handle for Invacare® ScanBeta NG



Invacare REA AB
Växjövägen 303
SE-343 71 Diö
Sweden

