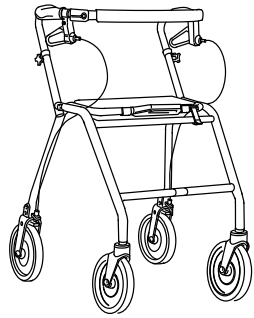


# ***Futura/Symphony, Legacy, Melody/Soprano, Maxi +, Alpha, Jazz***

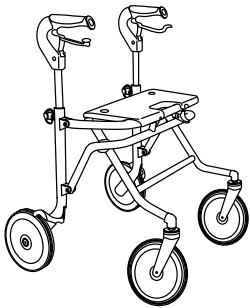
en **Walking aids**  
Service Manual



**Futura/Symphony**



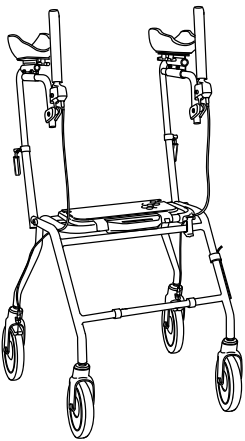
**Legacy**



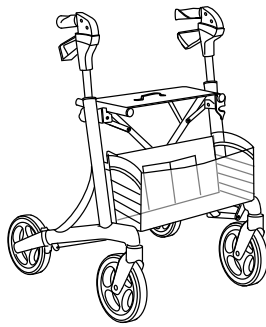
**Melody/Soprano**



**Maxi +**



**Alpha**



**Jazz**



DEALER: Keep this manual.  
The procedures in this manual **MUST** be performed by a qualified technician.



**Yes, you can.**

© 2015 Invacare® Corporation

All rights reserved. Reproduction, duplication or modification in whole or in part is prohibited without prior written permission from Invacare. Trademarks are identified by ™ and ®. All trademarks are owned by or licensed to Invacare Corporation or its subsidiaries unless otherwise noted.

---

# Contents

---

<b>I General</b> .....	<b>4</b>
1.1 Introduction .....	4
1.2 Service Life .....	4
1.3 Warranty .....	4
<b>2 Maintenance</b> .....	<b>5</b>
2.1 Maintenance .....	5
2.2 Service frequency .....	5
2.3 Inspection checklist .....	6
2.4 Care .....	7
<b>3 After Use</b> .....	<b>8</b>
3.1 Disposal .....	8
3.2 Re-use .....	8
<b>4 Technical data</b> .....	<b>9</b>
4.1 Futura/Symphony .....	9
4.1.1 Dimensions and weights .....	9
4.2 Legacy .....	9
4.2.1 Dimensions and weight .....	9
4.3 Melody/Soprano .....	10
4.3.1 Dimensions and weights .....	10
4.4 Maxi + .....	11
4.4.1 Dimensions and weights .....	11
4.5 Alpha .....	11
4.5.1 Dimensions and weights .....	11
4.6 Jazz .....	12
4.6.1 Dimensions and weight .....	12
4.7 Material .....	12

---

## I General

---

### I.1 Introduction

This service manual contains information about service life, warranty, maintenance and technical data.

All actions described in this service manual must be carried out by trained personnel.



**WARNING!**

**Risk of injury**

If the setup of the walking aid is improper, it may not function properly.

- Changes to the walking aid should only be carried out by trained personnel.



For pre-sale and user information, please see the user manual. The user manual can be found on Invacare's website.

### I.2 Service Life

The expected service life of this product is five years when used in accordance with safety instructions, maintenance intervals and correct use, stated in this manual. The effective product life cycle can vary according to frequency and intensity of use.

### I.3 Warranty

We supply a two year warranty from the date of delivery. Deviations may occur due to local agreements. Damage caused by normal wear to e.g. wheels, handles and brakes or damage caused by abnormal use (e.g. exceeded max. user weight) is not covered by the warranty. Maintenance and operating instructions must be followed for the warranty to be valid.

---

## 2 Maintenance

---

### 2.1 Maintenance


- Check that wheels and forks work properly, are free from defects and are well fixed.
- Make sure that the wheels are free of hair, lint and other debris.
- Ensure that screws and adjustments are properly tightened.
- Verify brake operation.
- Check that the folding mechanism works properly and is free from defects
- Check that hand grips and handle tube are fixed properly and are free from defects.

- Check that the frame is free from defects.
- Check that seat and backrest are fixed properly and are free from defects.

For further details, use the checklist on the next page.

### 2.2 Service frequency

Control and maintenance of the product must be carried out regularly. The frequency depends on the intensity of use and the amount of stress the walking aid has been exposed to.

-  Control and maintenance must always be carried out before transferring the product to another user.

## 2.3 Inspection checklist

Check points	Possible issue	Action	Comments	OK
Check that wheels and forks work properly, are free from defects and are well fixed.	The wheel does not spin easily.	<ul style="list-style-type: none"> <li>Replace the wheel and the locking nut.</li> </ul>		
	The tread is torn or damaged.	<ul style="list-style-type: none"> <li>Replace the wheel</li> <li>Tighten the bolts</li> <li>Replace the locking nut</li> </ul>	Use permanent locking glue if the locking nut is missing.	
	The wheel bolts are loose.	<ul style="list-style-type: none"> <li>Tighten the bolts</li> <li>Replace the locking nut</li> </ul>	Use permanent locking glue if the locking nut is missing.	
	The wheels are not evenly adjusted in height.	<ul style="list-style-type: none"> <li>Adjust the rear wheel fork.</li> <li>Tighten the screws.</li> </ul>		
	The air pressure is not correct or the wheel is losing air. (Futura with pneumatic wheels only)	<ul style="list-style-type: none"> <li>Repair the puncture</li> <li>Replace the wheel.</li> </ul>	Correct air pressure: 250 kPa / 2,5 bar / 2,5 kg/cm <sup>2</sup>	
	The screws on the rear fork are loose.	<ul style="list-style-type: none"> <li>Tighten the screws.</li> </ul>		
	The front fork is not fixed to the frame.	<ul style="list-style-type: none"> <li>Tighten the front fork with 60 Nm.</li> </ul>		
	The front fork is damaged.	<ul style="list-style-type: none"> <li>Replace the fork.</li> <li>Tighten the front fork with 60 Nm.</li> </ul>		
	The rear fork is damaged.	<ul style="list-style-type: none"> <li>Replace the fork.</li> </ul>		
	The fork does not spin evenly and soundless.	<ul style="list-style-type: none"> <li>Replace the fork.</li> <li>Tighten the front fork with 60 Nm.</li> </ul>		
Check that the brake system works properly and is free from defects	The brake flap is worn out.	<ul style="list-style-type: none"> <li>Replace the brake flap.</li> </ul>		
	The brake flap does not return to its original position after braking.	<ul style="list-style-type: none"> <li>Replace the brake flap or the wire and cover.</li> </ul>		
	The brake wire does not move easily in the wire cover.	<ul style="list-style-type: none"> <li>Replace the brake wire and the cover.</li> </ul>	Not valid for Melody	
	Poor braking effect.	Adjust the wire adjusting nuts or the adjustment screws to obtain full brake effect.	<p>The distance between the brake flap and the wheel must not exceed the following measurements:</p> <ul style="list-style-type: none"> <li>Futura / Symphony/Alpha /Maxi+ fork: 2 mm</li> <li>Legacy with DABS fork (£ 2010-03-02): 2,5 mm</li> <li>Legacy with DABS II fork (³ 2010-03-03): 4 mm</li> <li>Jazz fork: 3,5 mm</li> <li>Melody / Soprano fork: £ 1 mm</li> </ul>	
	The end parts of the wire-covers are damaged.	<ul style="list-style-type: none"> <li>Replace the wire cover.</li> </ul>	Not valid for Melody	
	The brake handle or the brake housing is damaged.	<p>Jazz / Melody / Soprano:</p> <ul style="list-style-type: none"> <li>Replace the handlebars.</li> </ul> <p>Futura / Symphony / Maxi+ / Legacy / Alpha:</p> <ul style="list-style-type: none"> <li>Replace the brake handle.</li> </ul>		

Check points	Possible issue	Action	Comments	OK
Check that the folding mechanism works properly and is free from defects	When folding the device, it does not stay in a folded position.	• Replace the folding mechanism parts including the spring.	Not valid for Jazz	
		• Replace the seat if the strap for the folding lock is damaged.	Only valid for Jazz	
	The bolt in the folding joint is loose.	• Re-assemble the bolt. • Use permanent locking glue.	Not valid for Jazz.	
Check that hand grips and handle tube are fixed properly and are free from defects.	The safety latch is damaged or deformed.	• Replace the safety latch.	Not valid for Jazz.	
	The hand grip/grips are damaged.	• Replace the hand grip/grips.		
	The hand grip/grips can easily be rotated.	• Replace the hand grip/grips. • Clean the tubes with an oil-free grease solvent such as window cleaning fluid.		
	The adjustment knob or the locking device (Alpha) does not lock properly.	Futura / Symphony: • Replace the knobs and the locking sleeves.  Melody / Soprano: • Replace the knobs and the nut washers.  Jazz: • Replace the handlebar and the knob.  Alpha: • Replace the locking device and the height adjustment tube.		
Check that the frame is free from defects.	The handle tubes are bent or damaged.	• Replace the handlebars.		
	The frame is damaged or defect.	• Scrap the device.		
Check that seat and backrest are fixed properly and are free from defects.	The coating is damaged or scratched.	• Use touch-up colors to repair damages.	Touch-up colors are available as spare parts.	
	The backrest or the backrest attachments are damaged.	• Replace the backrest.		
	The screws on the backrest or the backrest attachments are loose.	• Tighten the screws.		
	The seat is damaged.	• Replace the seat.		
Check that the arm supports are free from defects.	The support bar located under the seat is not properly fixed.	• Tighten the screws or replace the seat.	Only valid for Soprano.	
	The arm supports or the arm support cushions are damaged.	• Replace the arm supports or the arm support cushions.	Only valid for Alpha.	

## 2.4 Care

The product can be cleaned and disinfected using commercially available agents.

### Cleaning



#### IMPORTANT!

- Do not use an abrasive detergent, cleaner or cloth to clean or dry the product.
- Do not use high pressure cleaner or steam cleaner.

- Clean the walking aid with solvent-free household cleaner.
- Clean the frame with damp cloth and mild detergent.
- Clean the wheels with a brush (no wire brush!).
- Clean the backrest, seat and basket with mild detergent.

### Disinfection

Disinfect the product by wiping down all generally accessible surfaces with disinfectant.

---

## 3 After Use

---

### 3.1 Disposal

When the product can no longer be used, it and its accessories as well as the packaging material should be sorted in the correct way.

The individual parts can be separated and handled according to their material.

Please be environmentally responsible and recycle this product through your recycling facility at its end of life.

### 3.2 Re-use

This product is suitable for re-use after the following has been performed:

- Inspection
- Cleaning

For details, see chapter: "Maintenance"



**WARNING!**

**Risk of injury**

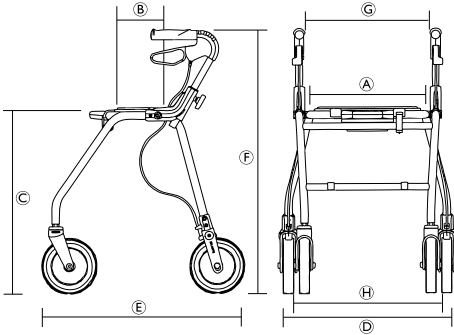
- Always inspect the product according to the service instructions before transferring the product to a different user.
- If any damage is found do not use the product.



## 4 Technical data

### 4.1 Futura/Symphony

#### 4.1.1 Dimensions and weights



[mm]	Symphony™ 450 Futura™ 450	Symphony™ 520 Futura™ 520	Symphony™ 600 Futura™ 600	Futura™ 680
Seat width A	360			
Seat depth B	180			
Seat height C	475	545	620	705
Total width D	600	600	600	640
Total depth E	590	660	700	780
Total height (Handle height) F	640 - 790	710 - 850	790 - 930	860 - 1015
Distance between handles G	420			
Distance between rear wheels H	460	470	470	500
Front/rear wheel <sup>1</sup> diameter	200			

[kg]	Symphony™			Futura™			
	450	520	600	450	520	600	680
Weight <sup>2</sup>	7,2	7,6	7,8	7,6	7,8	8,0	8.2
Max. user weight <sup>3</sup>	100			150 for walking aids produced 2011-03 or later *			
Max. load basket	7	9		7	9		
Max. load tray	5						

**i** \* For walking aids produced 2011-02 or earlier; See see label on product

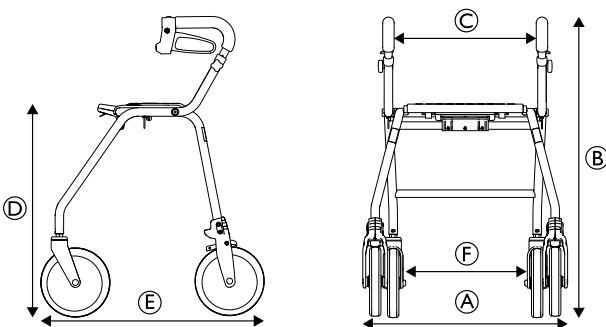
<sup>1</sup> Front wheels are steering wheels. Rear wheels are provided with a brake system for dosed breaking and for locking the wheel.

<sup>2</sup> Total weight excluding equipment.

<sup>3</sup> This weight limitation includes the weight of the user whether standing or sitting and the content of the basket.

### 4.2 Legacy

#### 4.2.1 Dimensions and weight



	Legacy 520	Legacy 600
Total width (A)	600 mm	
Total height (B)	760–850 mm	835–850 mm
Seat width (C)	420 mm	
Seat height (D)	555 mm	650 mm
Total length (E)	540 mm	620 mm
Distance between rear wheels (F)	455 mm	
Front/rear wheel <sup>1)</sup> diameter	200 mm	

<sup>1)</sup> Front wheels are steering wheels. Rear wheels are provided with a brake system for dosed breaking and for locking the wheel.

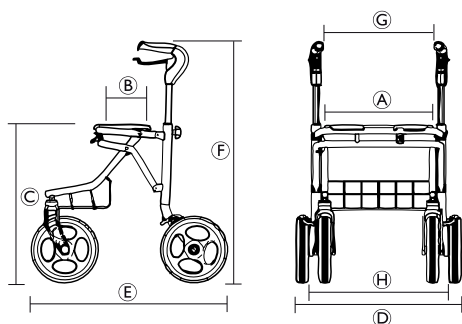
	Legacy 520	Legacy 600
Total weight <sup>2)</sup>	7,2 kg	7,6 kg
Max. user weight <sup>3)</sup>	125 kg	

<sup>2)</sup> Total weight excluding equipment.

<sup>3)</sup> This weight limitation includes the weight of the user whether standing or sitting.

## 4.3 Melody/Soprano

### 4.3.1 Dimensions and weights



	Melody S	Melody M	Melody L	Soprano
Seat width (A)	435 mm			
Seat depth (B)	220 mm			
Seat height (C)	480 mm	530 mm	610 mm	620 mm
Total width (D)	545 mm	620 mm	620 mm	650 mm
Total depth (E)	635 mm	655 mm	695 mm	740 mm
Total height (Handle height) (F)	660 – 810 mm	705 – 905 mm	785 – 985 mm	790–990 mm
Distance between handles (G)	365 mm	430 mm	430 mm	450 mm
Distance between rear wheels	480 mm	540 mm	540 mm	540 mm
Front/rear wheel <sup>1)</sup> diameter	200 mm			260 mm

<sup>1)</sup> Front wheels are steering wheels. Rear wheels are provided with a brake system for dosed breaking and for locking the wheel.

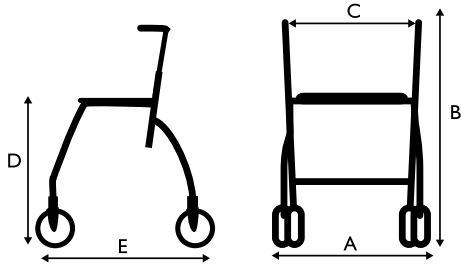
	Melody S	Melody M	Melody L	Soprano
Weight <sup>2)</sup>	7.3 kg	7.5 kg	7.7 kg	9.8 kg
Max. user weight <sup>3)</sup>	135 kg			160 kg
Max. load basket	7 kg	10 kg	10 kg	12 kg
Max. load tray	5 kg			

<sup>2)</sup> Total weight excluding equipment.

<sup>3)</sup> This weight limitation includes the weight of the user whether standing or sitting and the content of the basket.

## 4.4 Maxi +

### 4.4.1 Dimensions and weights



	Maxi+ 550	Maxi+ 650
Total width (A)	700 mm	
Total height (B)	725 – 895 mm	815 – 985 mm
Seat width (C)	520 mm	
Seat height (D)	555 mm	650 mm
Total length (E)	640 mm	740 mm
Front/rear wheel <sup>1</sup> diameter	200 mm	
Front/rear wheel <sup>1</sup> width	40 mm	

<sup>1</sup> Front wheels are steering wheels. Rear wheels are provided with a brake system for dosed breaking and for locking the wheel.

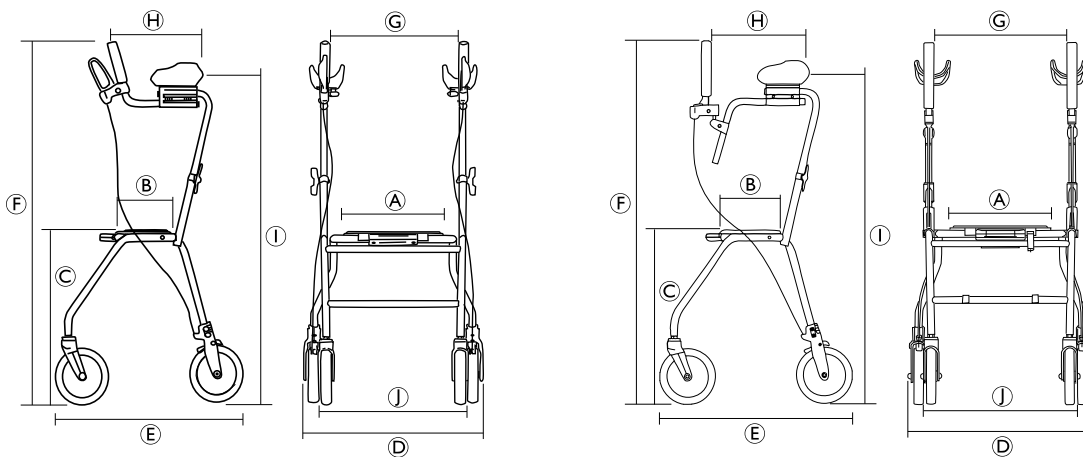
	Maxi+ 550	Maxi+ 650
Weight <sup>2</sup>	9,8 kg	10,3 kg
Max. user weight <sup>3</sup>	200 kg	
Max. load basket	9 kg	
Max. load tray	5 kg	

<sup>2</sup> Total weight excluding equipment.

<sup>3</sup> This weight limitation includes the weight of the user whether standing or sitting and the content of the basket.

## 4.5 Alpha

### 4.5.1 Dimensions and weights



	Alpha Basic	Alpha Advanced
Seat width (A)	360 mm	
Seat depth (B)	180 mm	
Seat height (C)	620 mm	
Total width (D)	650 mm	

	Alpha Basic	Alpha Advanced
Total depth ⑤	700 mm	
Total height (Handle height) ⑥	1075 – 1310 mm	1165 – 1400 mm
Distance between handles ⑦	430 mm	
Distance between handle and lower arm support ⑧	290 – 330 mm	310 – 360 mm
Arm support height ①	950 – 1220 mm	
Distance between rear wheels ②	510 mm	
Front/rear wheel <sup>1)</sup> diameter	200 mm	

1) Front wheels are steering wheels. Rear wheels are provided with a brake system for dosed breaking and for locking the wheel.

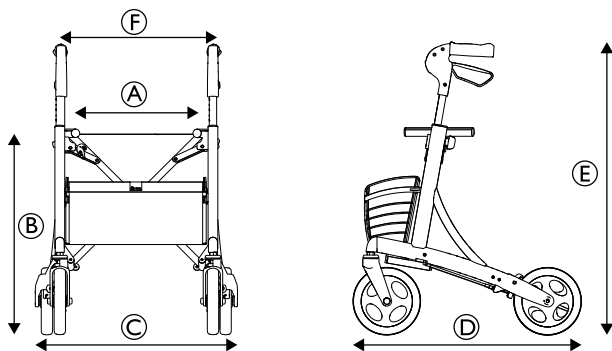
	Alpha Basic	Alpha Advanced
Total weight <sup>2)</sup>	11.3 kg	12.2 kg
Max. user weight <sup>3)</sup>	125 kg	

2) Total weight excluding equipment.

3) This weight limitation includes the weight of the user whether standing or sitting and the content of the basket.

## 4.6 Jazz

### 4.6.1 Dimensions and weight



	Jazz 520	Jazz 600
Seat width ①	430 mm	
Seat height ②	520 mm	600 mm
Total width ③	620 mm	
Total depth ④	670 mm	
Total height (Handle height) ⑤	670 – 810 mm	750 – 970 mm
Distance between handles ⑥	390 mm	
Front/rear wheel <sup>1)</sup> diameter	200 mm	

1) Front wheels are steering wheels. Rear wheels are provided with a brake system for dosed breaking and for locking the wheel.

	Jazz 520	Jazz 600
Total weight <sup>2)</sup>	7,2 kg	7,8 kg
Max. user weight <sup>3)</sup>	130 kg	

2) Total weight excluding equipment.

3) This weight limitation includes the weight of the user whether standing or sitting and the content of the basket.

## 4.7 Material

	Jazz	Maxi +	Futura	Legacy	Melody	Alpha
Frame	Polyester powder coated aluminium	Polyester (PES) powder coated steel				

Handle bars	Aluminium	Chrome plated steel	Aluminium	
Hand grips	Thermoplastic Elastomers (TPE)		Polyamide (PA) partly covered with Thermoplastic Elastomers (TPE)	Closed cellular synthetic rubber
Wheels	Polypropylene (PP) with treads of Thermoplastic Elastomers (TPE)			
Plastic parts	Material according to marking: Polyamide (PA), Polypropylene (PP), Polyethylene (PE)			
Screws	Steel, rust protected (zinc plated)			





## Invacare Sales Companies

### Ireland:

Invacare Ireland Ltd,  
Unit 5 Seatown Business Campus  
Seatown Road, Swords, County  
Dublin  
Tel : (353) | 810 7084  
Fax: (353) | 810 7085  
ireland@invacare.com  
www.invacare.ie

### United Kingdom:

Invacare Limited  
Pencoed Technology Park, Pencoed  
Bridgend CF35 5AQ  
Tel: (44) (0) 1656 776 222  
Fax: (44) (0) 1656 776 220  
uk@invacare.com  
www.invacare.co.uk



Manufacturer:

Invacare Rea AB  
Växjövägen 303  
S-343 75 Diö

1542536-A 2015-03-31



**Making Life's Experiences Possible™**

  
**DOLOMITE**

  
**INVACARE**  
*Yes, you can.®*