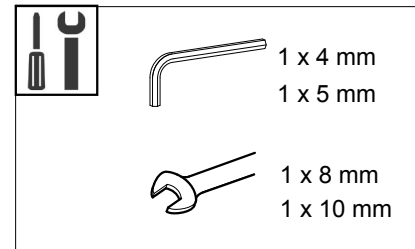
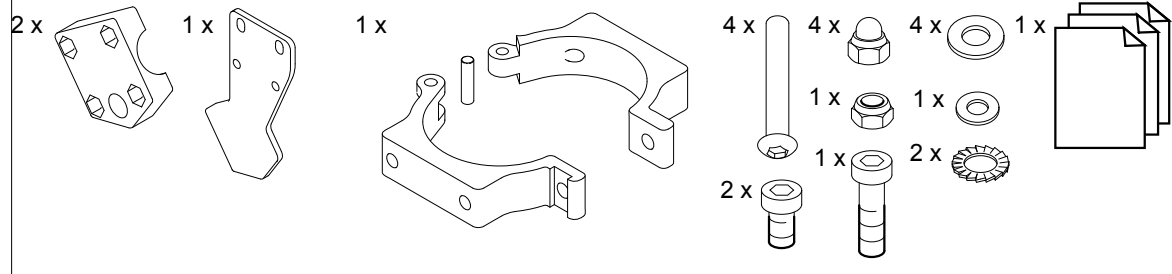
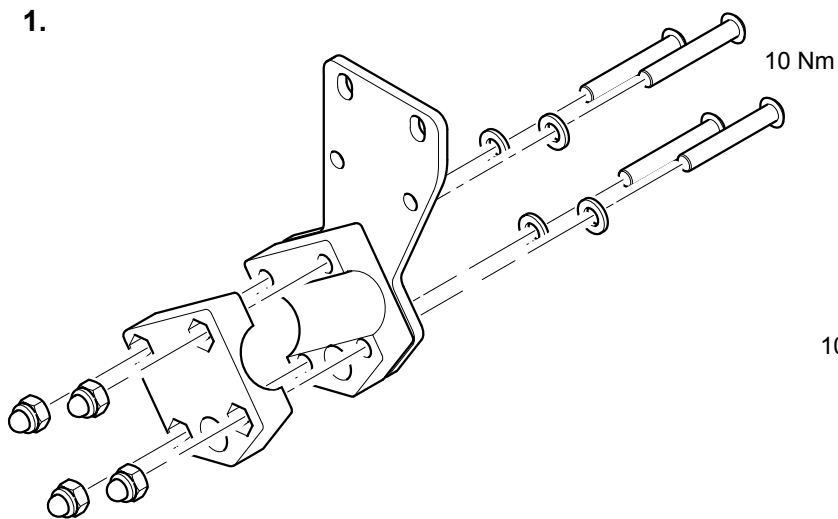


SP1586795

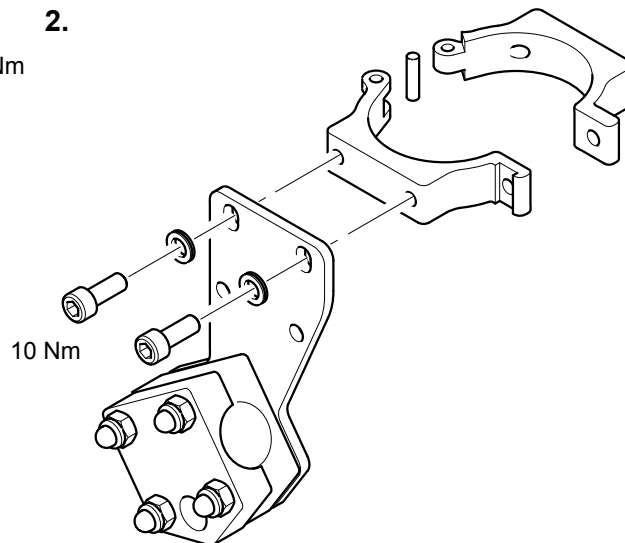


Invacare® Compact Dual Control
 Invacare® Ultra Low Maxx
 by Motion Concepts

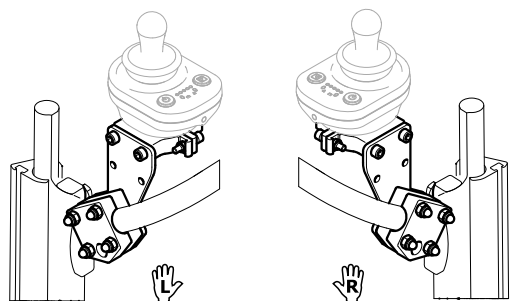
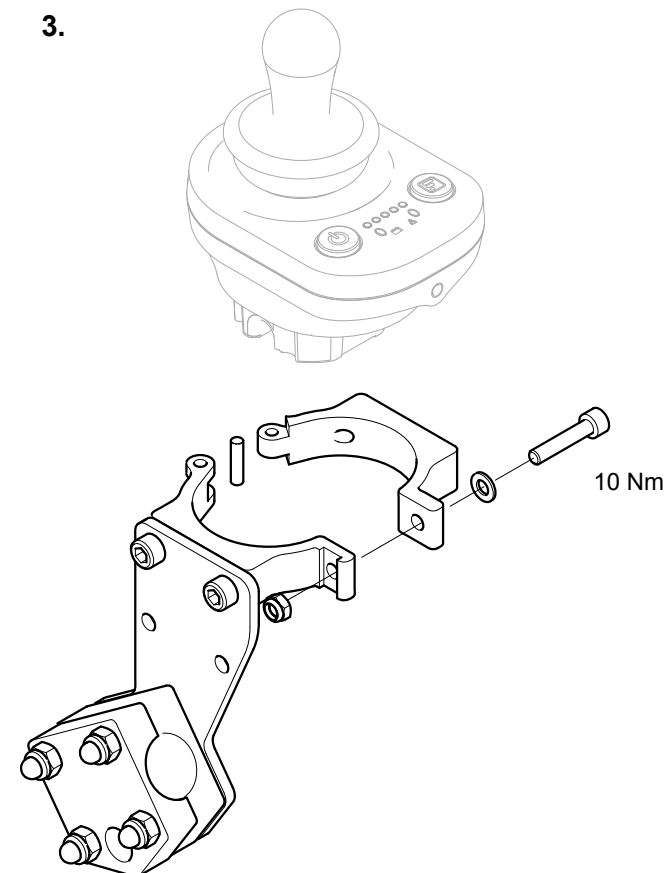
1.



2.



3.

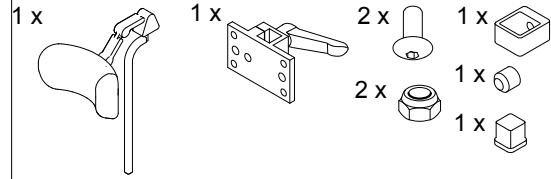


Invacare Deutschland GmbH
 Kleiststrasse 49
 D-32457 Porta Westfalica
 Germany

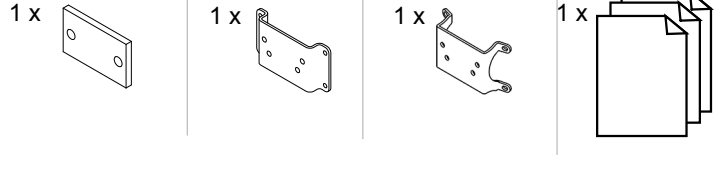


Yes, you can.®

SPTRC1929/1930/1931

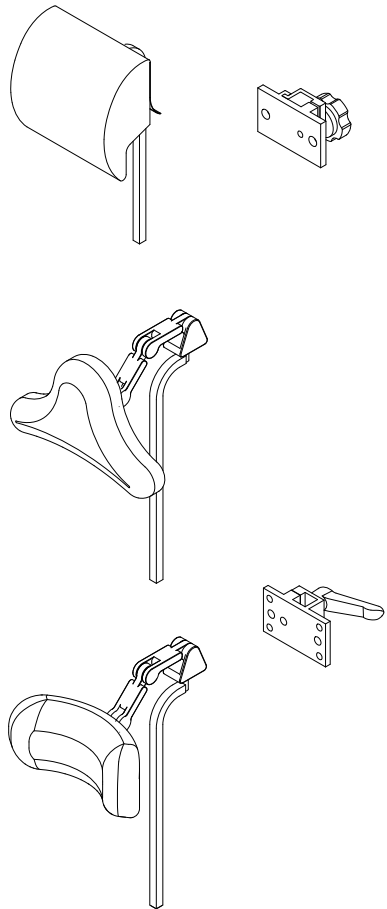


SPTRX2685/SP1544187/SP1544188

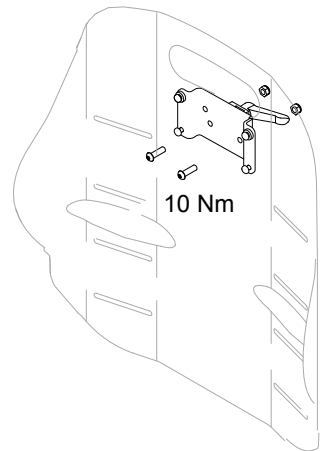


- 1 x 2.5 mm
- 1 x 4 mm
- 1 x 10 mm

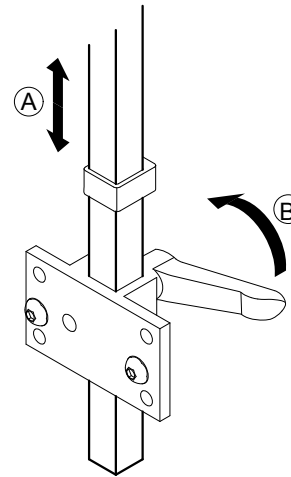
Invacare® Ultra Low Maxx
by Motion Concepts



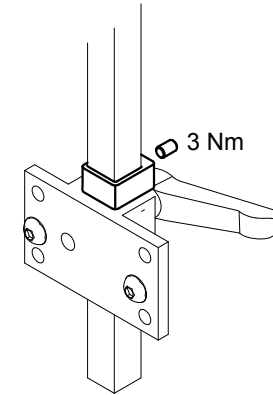
1.



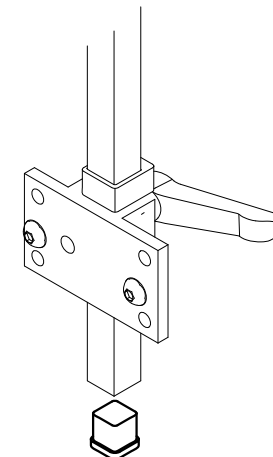
2.



3.



4.

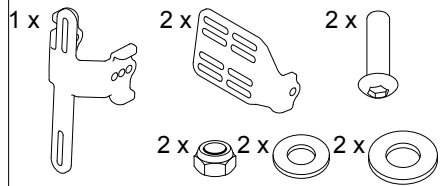


Invacare Deutschland GmbH
Kleiststrasse 49
D-32457 Porta Westfalica
Germany

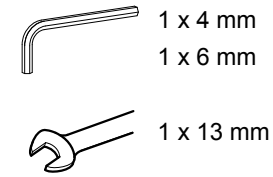
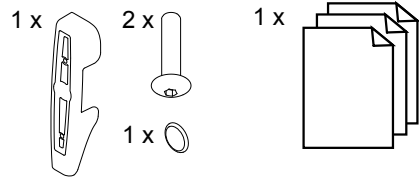


Yes, you can.®

SPTRC2035

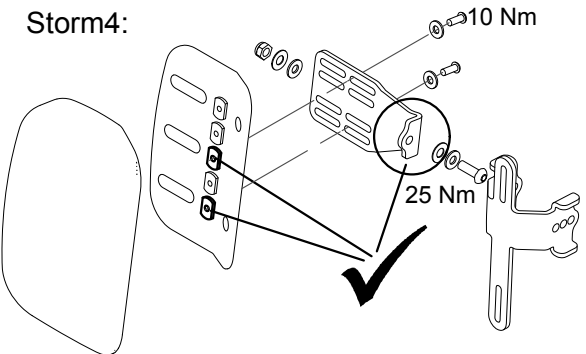
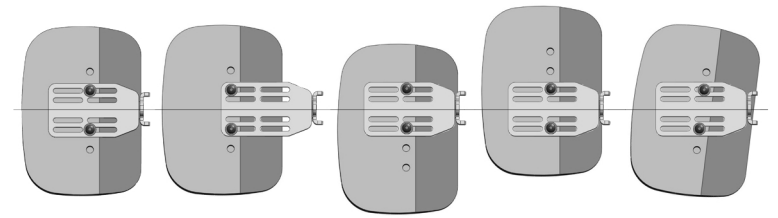
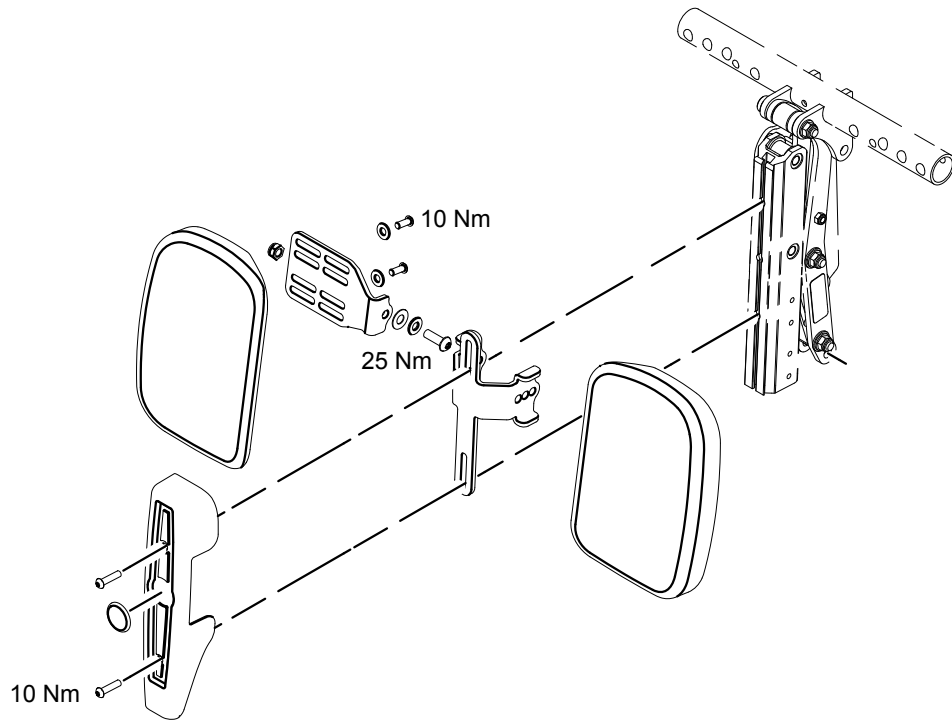


SPTRC2126



Invacare® Ultra Low Maxx
by Motion Concepts

LNx legrest



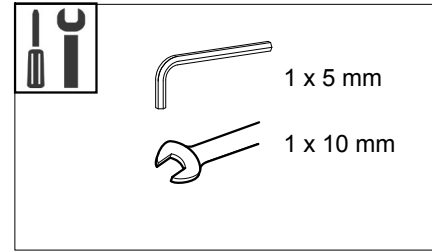
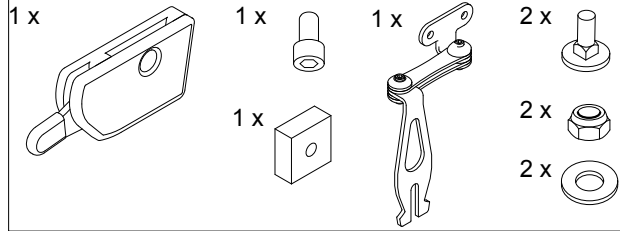
Invacare Deutschland GmbH
Kleiststrasse 49
D-32457 Porta Westfalica
Germany



Yes, you can.®

SP1584411  SP1584410 

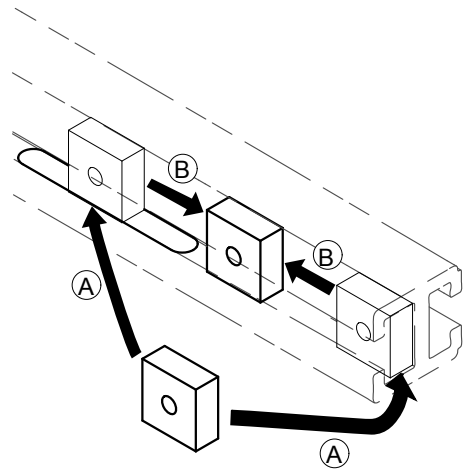
SP1584412/SP1584413/SP1584414



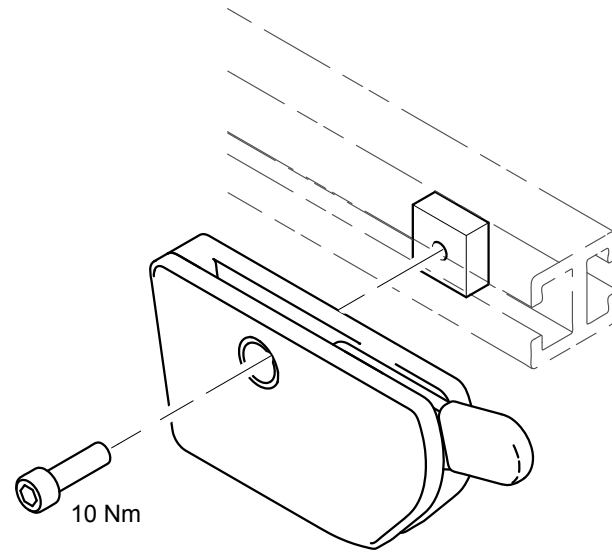
Invacare® Ultra Low Maxx
by Motion Concepts

Invacare® Modulite

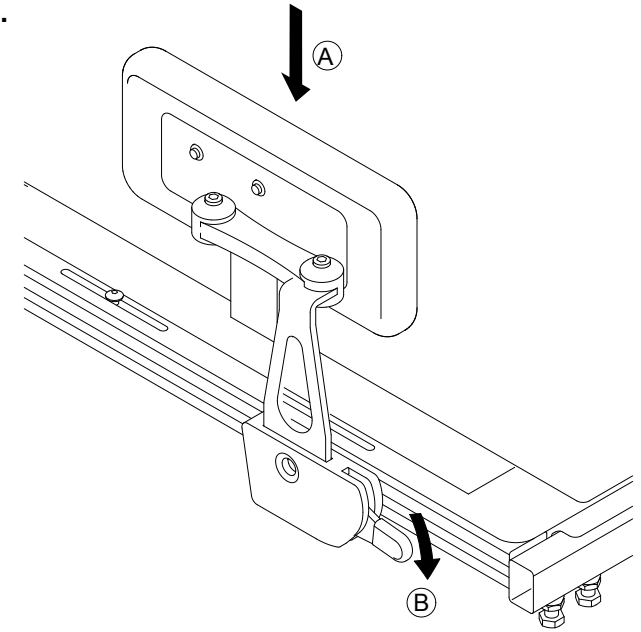
1.



2.





3.

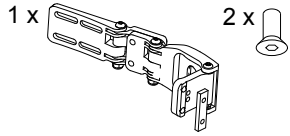


Invacare Deutschland GmbH
Kleiststrasse 49
D-32457 Porta Westfalica
Germany

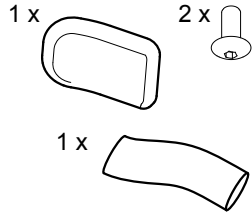


Yes, you can.®

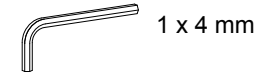
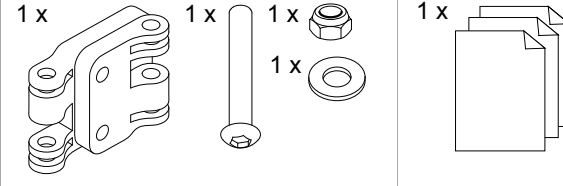
SPTRC1806 
SPTRC1805 



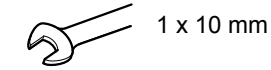
SPTRC2123-C03/04



SPTRC2091

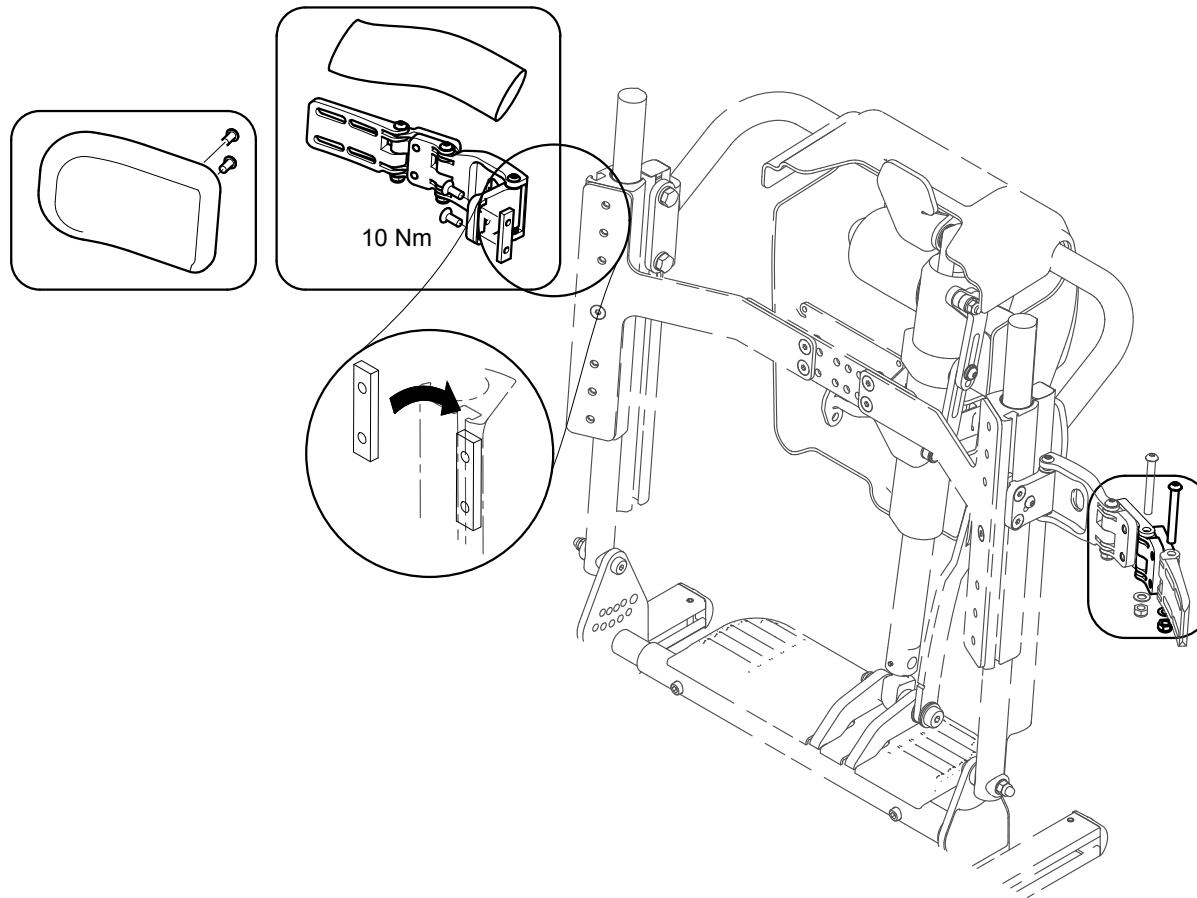


1 x 4 mm



1 x 10 mm

Invacare® Ultra Low Maxx
by Motion Concepts

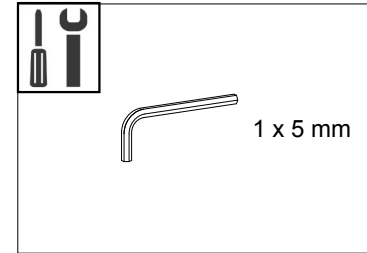
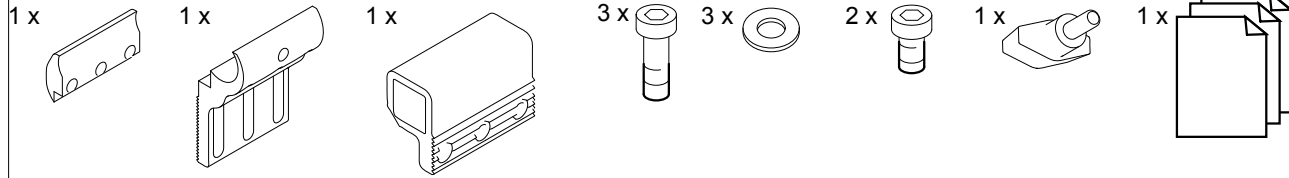


Invacare Deutschland GmbH
Kleiststrasse 49
D-32457 Porta Westfalica
Germany

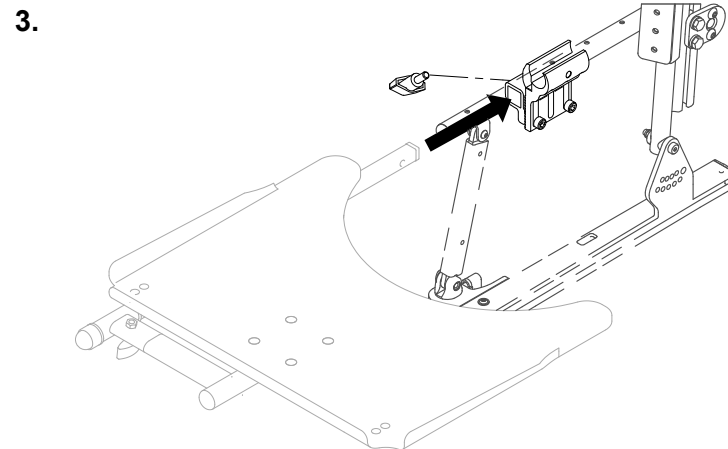
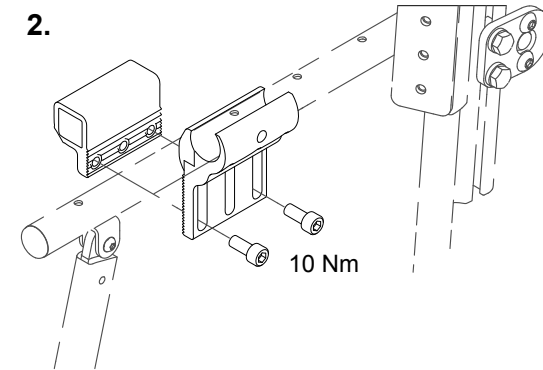
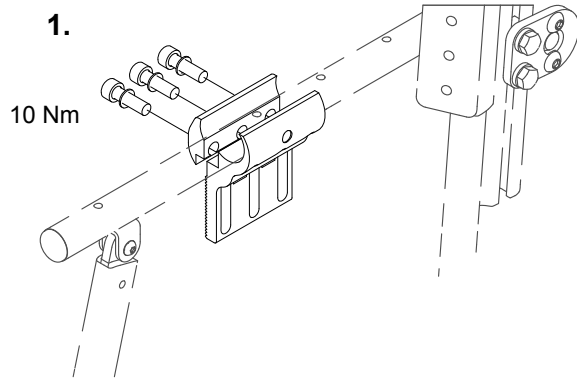


Yes, you can.®

SPTRC2060



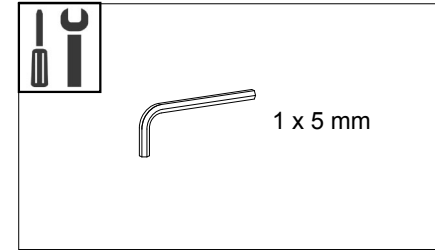
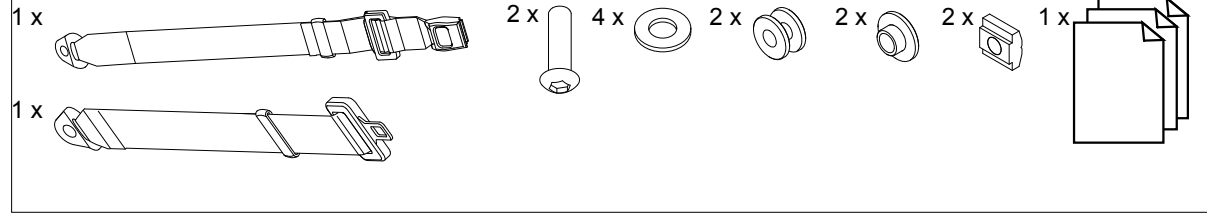
Invacare® Ultra Low Maxx
by Motion Concepts



Invacare Deutschland GmbH
Kleiststrasse 49
D-32457 Porta Westfalica
Germany

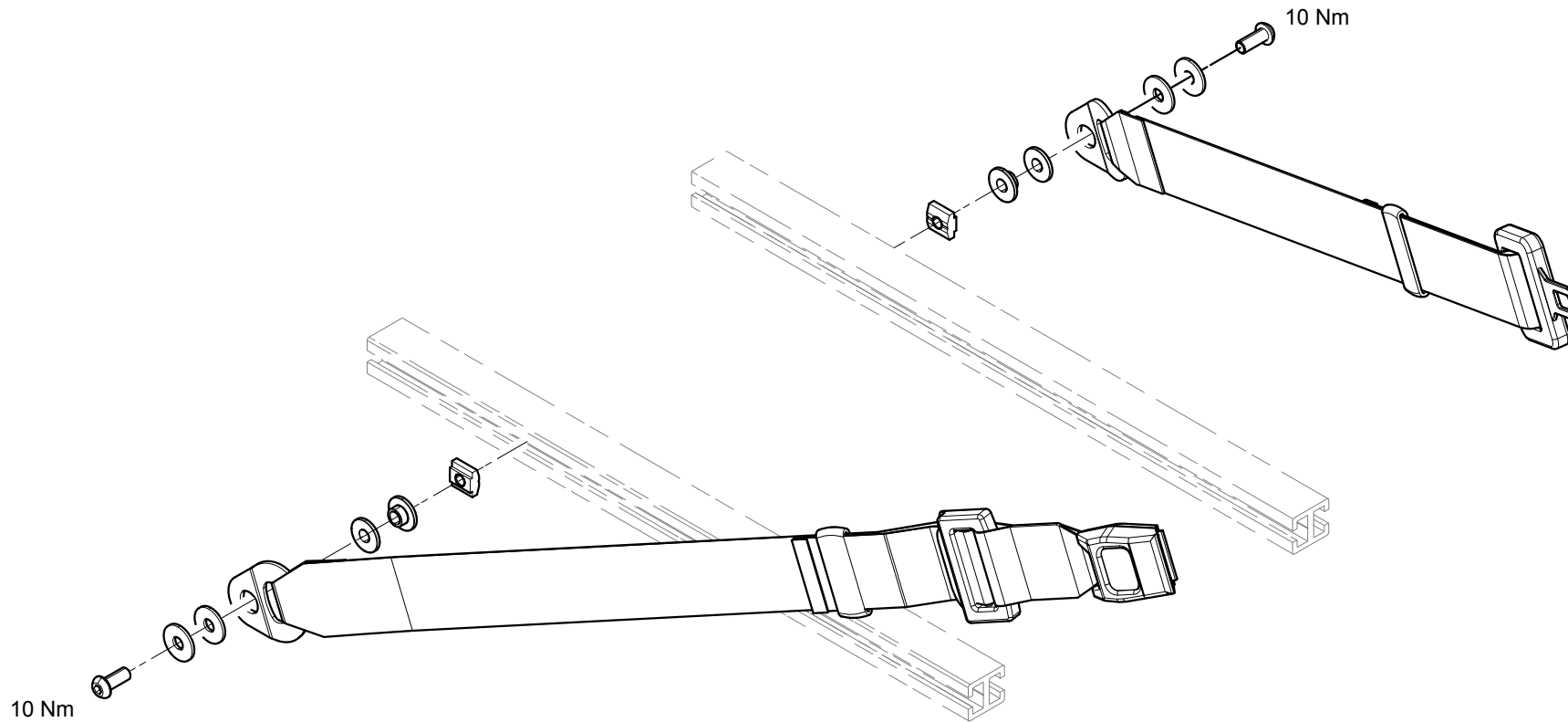


SP1571183



Invacare® Ultra Low Maxx
by Motion Concepts

Invacare® Modulite

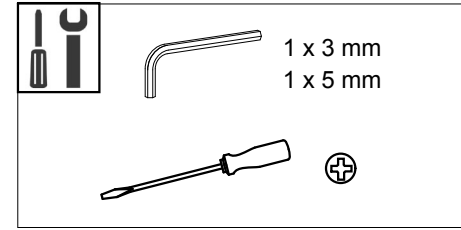
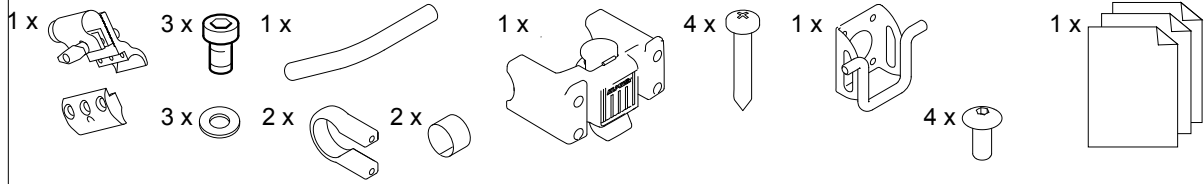


Invacare Deutschland GmbH
Kleiststrasse 49
D-32457 Porta Westfalica
Germany



Yes, you can.®

SP1603427



Invacare® IDC
Invacare® Ultra Low Maxx
by Motion Concepts

