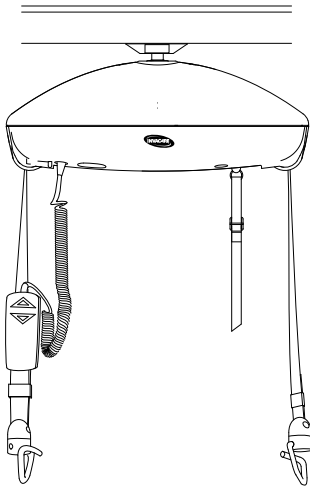
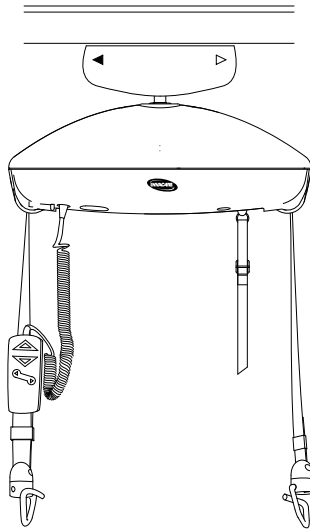


# Invacare® Robin®

Robin®, Robin® Mover



Robin®



Robin® Mover

en	Ceiling Hoist Service Manual .....	3
da	Løftemotor Servicemanual .....	23
fr	Lève-personne sur rail Manuel de maintenance .....	43
no	Takmontert løfter Servicehåndbok .....	63
sv	Taklyft Servicemanual .....	83



DEALER: Keep this manual.  
The procedures in this manual MUST be performed by a qualified technician.



**Yes, you can.®**

©2019 Invacare Corporation

All rights reserved. Republication, duplication or modification in whole or in part is prohibited without prior written permission from Invacare. Trademarks are identified by ™ and ®. All trademarks are owned by or licensed to Invacare Corporation or its subsidiaries unless otherwise noted.

—  
Alle rettigheder forbeholdes. Hel eller delvis gengivelse, kopiering eller ændring er forbudt uden forudgående skriftlig tilladelse fra Invacare. Varemærker er markeret med ™ og ®. Alle varemærker ejes af eller er givet i licens til Invacare Corporation eller denne virksomheds filialer, medmindre andet fremgår.

—  
Tous droits réservés. La republication, la duplication ou la modification de tout ou partie du présent document est interdite sans l'accord écrit préalable d'Invacare. Les marques commerciales sont identifiées par ™ et ®. Toutes les marques commerciales sont détenues par ou cédées sous licence à Invacare Corporation ou ses filiales, sauf stipulation contraire.

—  
Med enerett. Det er forbudt å republisere, kopiere eller endre hele eller deler av denne veiledningen uten at det på forhånd er innhentet skriftlig tillatelse fra Invacare. Varemerker er angitt med ™ og ®. Alle varemerker eies av eller lisensieres til Invacare Corporation eller tilhørende datterselskaper med mindre annet er angitt.

—  
Med ensamrätt. Innehållet får inte ges ut på nytt, mångfaldigas eller förändras helt eller delvis utan föregående skriftligt tillstånd från Invacare. Varumärken betecknas med ™ och ®. Samtliga varumärken tillhör eller är licensierade till Invacare Corporation eller dess dotterbolag om ingenting annat anges.

---

# Contents

---

<b>1 General</b> . . . . .	<b>4</b>
1.1 Introduction . . . . .	4
1.1.1 Symbols in this document . . . . .	4
<b>2 Safety</b> . . . . .	<b>5</b>
2.1 General Safety Information . . . . .	5
2.2 Main parts of the ceiling hoist. . . . .	5
<b>3 Setup</b> . . . . .	<b>6</b>
3.1 Installing the ceiling hoist to the rail system. . . . .	6
3.1.1 Installing Robin® . . . . .	6
3.1.2 Installing Robin® Mover . . . . .	6
<b>4 Maintenance</b> . . . . .	<b>8</b>
4.1 Charging the Battery . . . . .	8
4.2 Battery Maintenance . . . . .	8
4.2.1 Storage Characteristics . . . . .	8
4.2.2 Storage Temperature . . . . .	8
4.2.3 Storage Time . . . . .	8
4.2.4 Storage Humidity . . . . .	9
4.2.5 Capacity Recovery . . . . .	9
<b>5 Servicing</b> . . . . .	<b>10</b>
5.1 Service Interval . . . . .	10
5.1.1 LOLER Statement . . . . .	10
5.2 Tightening torques . . . . .	10
5.3 Service Inspection Checklist. . . . .	11
<b>6 Instructions</b> . . . . .	<b>12</b>
6.1 Dismounting the ceiling hoist. . . . .	12
6.1.1 Dismounting Robin®. . . . .	12
6.1.2 Dismounting Robin® Mover . . . . .	12
6.2 Replacing the hand control . . . . .	13
6.3 Removing the hoist cover . . . . .	13
6.4 Replacing Strap and Hook Assemblies . . . . .	13
6.5 Replacing the battery . . . . .	14
6.6 Replacing the PCB (Printed Circuit Board). . . . .	14
6.7 Replacing the fuse. . . . .	14
6.8 Adjusting the solenoid until the hoist traverses . . . . .	15
6.9 Adjusting Loose Strap Switch . . . . .	15
6.10 Replacing the Twin Speed Switch. . . . .	16
6.11 Replace Contact Disc for Robin® Mover . . . . .	16
<b>7 Troubleshooting</b> . . . . .	<b>18</b>
7.1 Troubleshooting Table . . . . .	18
7.2 Indicator light and audio signal . . . . .	19
7.3 Checking Loose Strap Function . . . . .	19
7.4 Checking Twin Speed Functionality. . . . .	19
7.5 Taking Voltage Readings . . . . .	19
<b>8 Technical Data</b> . . . . .	<b>21</b>
8.1 The rail system . . . . .	21
8.2 Dimensions and weight . . . . .	21
8.3 Electrical System . . . . .	21
8.4 Environmental conditions . . . . .	22

---

# 1 General

---

## 1.1 Introduction

This document contains important information about assembly, adjustment and advanced maintenance of the product. To ensure safety when handling the product, read this document and the user manual carefully and follow the safety instructions.

Find the user manual on Invacare's website or contact your Invacare representative. See addresses at the end of this document.

Invacare reserves the right to alter product specifications without further notice.

Before reading this document, make sure you have the latest version. You find the latest version as a PDF on the Invacare website.

For pre-sale and user information, see the user manual.

For more information about the product, for example product safety notices and product recalls, contact your Invacare representative. See addresses at the end of this document.

### 1.1.1 Symbols in this document

Symbols and signal words are used in this document and apply to hazards or unsafe practices which could result in personal injury or property damage. See the information below for definitions of the signal words.

**WARNING**

Indicates a hazardous situation that could result in serious injury or death if it is not avoided.

**CAUTION**

Indicates a hazardous situation that could result in minor or slight injury if it is not avoided.

**IMPORTANT**

Indicates a hazardous situation that could result in damage to property if it is not avoided.

**Tips and Recommendations**

Gives useful tips, recommendations and information for efficient, trouble-free use.

## 2 Safety

### 2.1 General Safety Information



**WARNING!**

**Risk of injury or damage to property**

- The procedures in this manual must only be performed by a qualified technician.
- Use only original accessories and spare parts.
- Do not handle this product or any available optional equipment without first completely reading and understanding these instructions and any additional instructional material such as user manuals, installation manuals or instruction sheets supplied with this product or optional equipment.
- After each assembly, check that all fittings are properly tightened and that all parts have the correct function.



**WARNING!**

**Risk of contamination**

- Clean and disinfect the product before servicing.



**IMPORTANT!**

Assembly of accessories might not be described in this service manual. Refer to the manual, delivered with the accessory.

- Additional manuals can be ordered from Invacare. See addresses at the end of this document.



**IMPORTANT!**

Some replacement parts are only available as a kit. Always use the complete new kit when replacing a part.

- Spare parts can be ordered from Invacare. Refer to your local Invacare website to access the electronic spare parts catalogue (ESPC).



**IMPORTANT!**

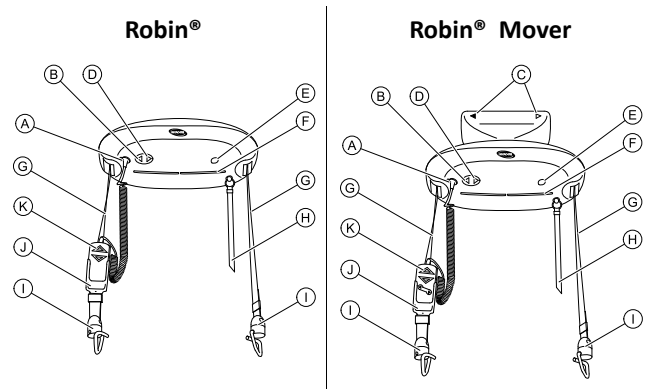
Refer to the user manual of this product for information on

- Technical data
- Product components
- Labels
- Additional safety instructions
- Cleaning and disinfection instructions



The information contained in this document is subject to change without notice.

### 2.2 Main parts of the ceiling hoist




(A)	Connection for hand control
(B)	Control button UP
(C)	Directional arrows on Robin® Mover
(D)	Control button DOWN
(E)	Connection for external back-up battery
(F)	Indicator light
(G)	Lifting straps
(H)	Red emergency strap
(I)	Strap hooks
(J)	Retainer for hand control (accessory)
(K)	Hand control

## 3 Setup


### 3.1 Installing the ceiling hoist to the rail system

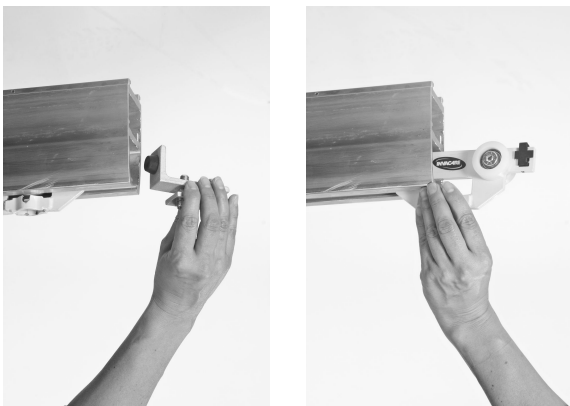
Robin® requires a trolley, guiding the ceiling hoist in the rail system. Robin® Mover has the trolley built-in and can be installed directly to the rail system.

#### 3.1.1 Installing Robin®


 Tools: 4 mm Allen key; 17 mm socket wrench

1. To install the trolley, remove the end stop that is attached to the rail system.

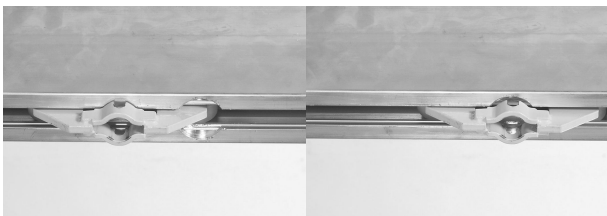
 In some countries/ local areas, there is a demand for double securing of the end stops. If an extra securing screw is installed, remove this screw before.



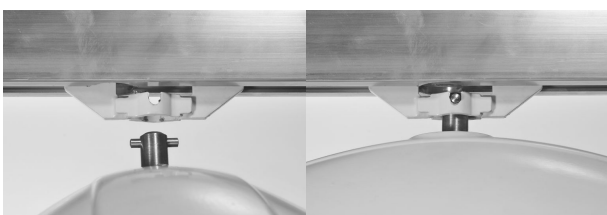
2. Insert the trolley into the rail (no matter which way, as the trolley is symmetric).
3. Re-insert the end stop.

 In some countries/ local areas, there is a demand for double securing of the end stops. If an extra securing screw is required, install this screw. See also *End Stop*.


4. Locate the hoist trolley at the Ø 32 mm round recess in the rail.

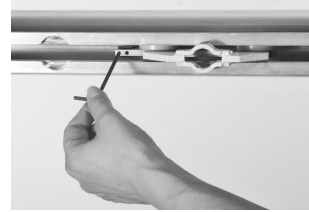


5. Lift the hoist and push the suspension pin through the trolley opening.




6. Turn the hoist by 90 degrees to fix it in the trolley.
7. Connect the hand control.
8. Adjust the length of the emergency stop/lowering cord to within the user's reach.

 If there is excessive resistance, or if the trolley unintentionally rolls by itself due to imbalance in the rail suspensions, adjust the friction brake using a 4 mm Allen key.



#### 3.1.2 Installing Robin® Mover


The trolley is built-in on the hoist, and can therefore not be pre installed in the rail.

 Tools: 4 mm Allen key; 17 mm socket wrench

1. Remove the end stop.




2. Insert the wheels of the hoist into the rail.

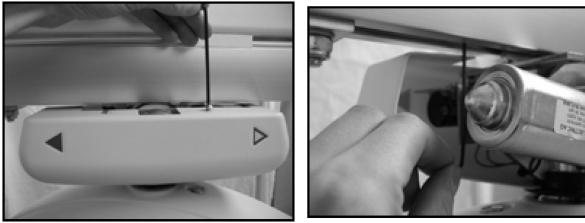
 The direction the hoist faces does not matter during installation.



3. Install the end stop.

 Tighten the bolt to 30 Nm.

4. If too much resistance is experienced when the hoist is pulled, or the hoist moves too freely and unintentionally, adjust the friction brake.




5. Connect the hand control.
6. Adjust the length of the emergency stop/lowering cord to within the user's reach.


## 4 Maintenance

### 4.1 Charging the Battery

If the charge status becomes low, an audible indicator sounds and the indicator lamp on the bottom of the ceiling hoist flashes (see also *7.2 Indicator light and audio signal, page 19*). When this happens, there is usually sufficient power to lower the patient.

 It is not possible to use the hoist while the battery is charging.

1. Finish the current lift in progress  
If the current lift in process discharges the battery completely, an external backup battery may be used to temporarily power the lift. See *Using the external back-up battery*.
2. Move the ceiling hoist to the charging station.
3. Assure that the hand control and charging station are clean and dry before charging
4. Place the hand control into the charging station.  
A yellow indicator lamp on the charger indicates the hand control is connected. The indicator lamp illuminates red while charging.
5. When fully charged, the indicator lamp on the charger turns green.  
As long as the ceiling hoist is not in use, leave the hand control in the charging station.
6. To use the ceiling hoist, remove the hand control from the charger.

 Keeping the batteries charged guarantees hoist functionality and maintains the battery to ensure a long lifetime.

If the audible indicator beeps and the blue indicator on the hoist flashes after the hoist has been fully charged and only been in use for a short period of time, the battery may need exercise or replacement. See *4.2 Battery Maintenance, page 8*.

If the ceiling hoist will not be used for more than 4 weeks, Invacare recommends disconnecting the charger and pulling the emergency stop.

The charger is connected to the mains with a mains plug. Make sure that the mains plug is accessible and can be unplugged if required.

### 4.2 Battery Maintenance

If the audible indicator beeps and the blue indicator on the hoist flashes after the hoist has been fully charged and only been in use for a short period of time, the battery may need to be exercised.

To enable the battery to charge fully, the battery should be exercised from time to time.

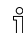
Following a long period of storage, it could also be necessary to exercise the battery.

It is also suggested that the battery is exercised in situations where the hoist is used infrequently, and/or where the hand control is placed in the charger for long periods of time. In this situation, there will always be

capacity enough for a few lifts, but we recommend to exercise the battery as soon as possible afterwards.

Exercise of the battery can be done by charging and discharging the hoist completely several times.

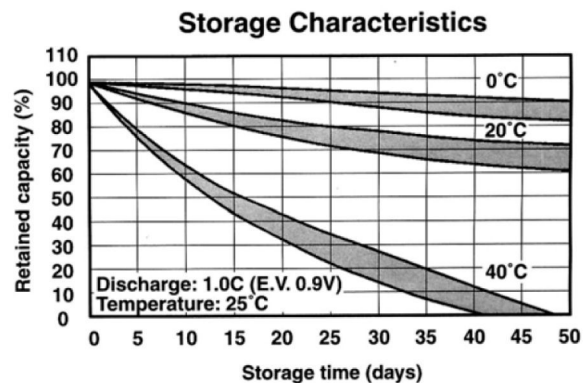
1. Charge the battery until the LED turns green.
2. Remove the hand control from the charger.
3. Raise and lower the straps with a load for one minute.
4. Wait ten minutes.
5. Repeat Steps 3–4 until the battery is completely discharged.

 Continue this process after the audible alert sounds and the blue light flashes, indicating the battery is low.

6. Repeat Steps 1–5 two to three times.

#### 4.2.1 Storage Characteristics

Essentially all rechargeable battery cells gradually discharge over time whether they are used or not. This capacity loss is typically due to slow parasitic reactions occurring within the cell. As such, the loss rate (self-discharge rate) is a function of the cell chemistry and the temperature environment experienced by the cell. Due to the temperature sensitivity of the self-discharge reaction, relatively small differences in storage temperature may result in large discharges which are difficult or impossible to reverse. Cell and battery storage issues of concern to most application designers relate either to the speed with which the cells lose their capacity after being charged or the ability of the cells to charge and discharge “normally” after storage for some period of time. In both situations, general guidelines developed for nickel-cadmium cells work acceptably for nickel-metal hydride cells.



#### 4.2.2 Storage Temperature

As already mentioned, the self-discharge reaction rate increases with higher temperatures. Prolonged storage of the battery material deteriorating faster; leakage performance will also deteriorate, resulting in a reduced battery lifetime. It is recommended that, for long storage, batteries should be kept at room temperature or below (0–30°C or 32–86°F).

#### 4.2.3 Storage Time

As the battery loses energy during storage, the voltage also drops. In general, the battery capacity loss due to self-discharge during storage can be recovered by recharging. If the battery is stored for over six months, it



is advisable to cycle the battery several times to resume the battery capacity. Use good inventory practices (first in, first out ) to reduce time cells spend in storage.

#### **4.2.4 Storage Humidity**

Leakage and rusting of metal parts are accelerated in high humidity environments, especially those with correspondingly high temperatures. Storage in high humidity and high temperatures environment is not recommended.

#### **4.2.5 Capacity Recovery**

In normal practice, stored cells will provide full capacity on the first discharge after removal from storage and charging with standard methods. Cells stored for an extended period or at elevated temperatures may require more than one cycle to attain pre-storage capacities. Consultation with the manufacturer is recommended if prolonged storage and rapid restoration of capacity is requested.

## 5 Servicing

### 5.1 Service Interval

Unless otherwise stated in local requirements, service must be performed at least every 12 months and according to the Service Inspection Checklist. When performing annual or regular service, all parts designed to carry load must be, as a minimum, tested with maximum load. All safety features must be checked according to ISO 10535:2006 Annex B.

The frequency of inspection must be increased, if the product is continuously exposed to high humidity, high condensation and corrosives (e.g. chlorine or ammonia gases), to prevent product impairment.

#### 5.1.1 LOLER Statement

The UK Health and Safety Executive's Lifting Operations and Lifting Equipment Regulations 1998, require any equipment that is used in the workplace to lift a load be subject to safety inspection on a six monthly basis. Please refer to the HSE web site for guidance [www.hse.gov.uk](http://www.hse.gov.uk).

The person responsible for the equipment must ensure adherence to LOLER regulations.

### 5.2 Tightening torques



#### IMPORTANT

Do not overtighten the mounting hardware as this might cause damage to the product.

If not otherwise stated in the specific instructions the following guidelines apply:

Thread	Tightening torque in Nm $\pm$ 10%
M4	3 Nm
M5	6 Nm
M6	10 Nm
M8	25 Nm
M10	49 Nm
M12	80 Nm
M16	180 Nm

### 5.3 Service Inspection Checklist

#### Rail system

- Check that all brackets are tightened correctly to the ceiling/wall. Retighten, if necessary.
- Check reinforcement. If not possible, do a load test with 1.5 x rated load for 20 minutes.
- Check and retighten end stops.
- Systems with track connections: Check if the connection has become misaligned during use. Re-align if needed.
- Check trolley and traverse trolley.
- Check trolley wheels for smooth movement and abnormal noise.
- Check friction break adjustment on trolleys. Adjust if necessary.
- Do a load test with rated load through the entire system.
- Place a sticker with a new date for the next inspection.

Rail system with transit coupling connections:

- Check the lock fixtures:
  - secure to tracking
  - each claw moves independently
  - correctly aligned with tracking slots
  - no obstructions to prevent correct function
  - safety plate is fitted.
- Check traverse trolley mounting fixtures.
- Check tracking alignment. Re-align if necessary.
- Function test transit coupling / lock fixture (10 times - disable left / right claw x 5).
- Check that gap between track and transit coupling is max. 3 mm.
- Function test under load (5 cycles with Safe Working Load).
- Check inlay plate is fitted (L and M rail).

#### Ceiling hoist

- Check suspension and cross pin.
- Check steel and plastic gearwheels for wear and damage.  
If gearwheels are dry, apply gearwheel grease.
- Check loose strap sensor and adjust if necessary.
- Check straps for wear and damage.
- Check guide cylinder and end stops.
- Check the lifting hooks, screws and pins for wear and damage.
- Check that a sticker with maximum load is placed on the hoist.
- Do a full lifting cycle with rated load — must be effortless and without jarring sound.
- Place a sticker with a new date for next inspection.

#### Electrical connections

- Check that all cables are intact.
- Check for rupture on cables and on isolation.
- Check micro switches for clamping and mechanical function.
- Check the charger for damage / function.
- Check hand control for damage and function. Make sure that the hand control is connected correctly.
- Check the emergency stop.
- Check the emergency lowering.

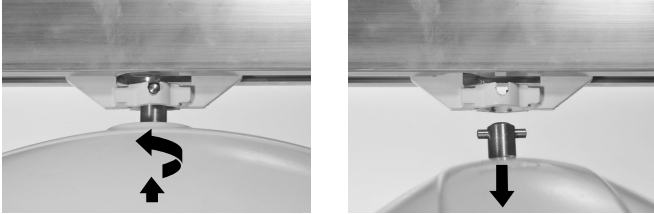
Serial Number:	
Inspection Date:	
Inspected by:	
Comments:	

## 6 Instructions

### 6.1 Dismounting the ceiling hoist

#### 6.1.1 Dismounting Robin®

Remove the ceiling hoist from the trolley



1. Lift the hoist slightly and push the suspension pin out of its holder in the trolley.
2. Turn the hoist by 90 degrees and pull it out of the trolley.

Remove the trolley from the rail

1. Remove the end stop.
2. Slide the trolley out of the rail.

#### 6.1.2 Dismounting Robin® Mover


1. Pull the emergency strap to prevent accidental activation of the ceiling hoist after it has been dismantled from the rail.
2. Remove the end stop.



3. Slide the wheels of the hoist out of the rail.




4. Install the end stop.

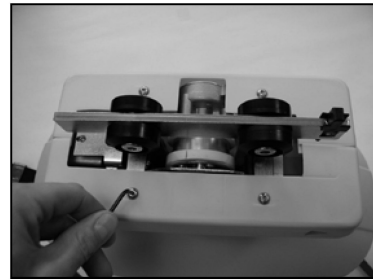
 Tighten the bolt to 30 Nm.



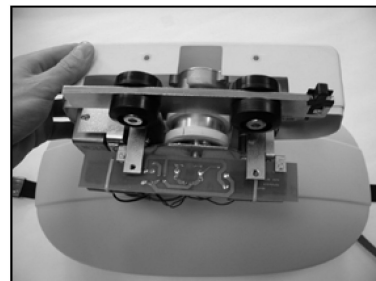
5. If removing the hoist from the rail motor, perform the following steps:

 When replacing the battery or performing service, it is also necessary to remove the hoist from the rail motor.

- a. Remove the screws securing the plastic shells from the rail motor.



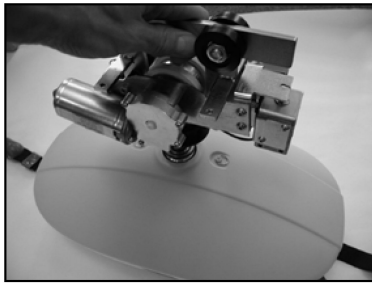
- b. Pull the plastic shells away from each other to remove them from the rail motor.



- c. Remove the M6 screw securing the rail motor to the hoist.

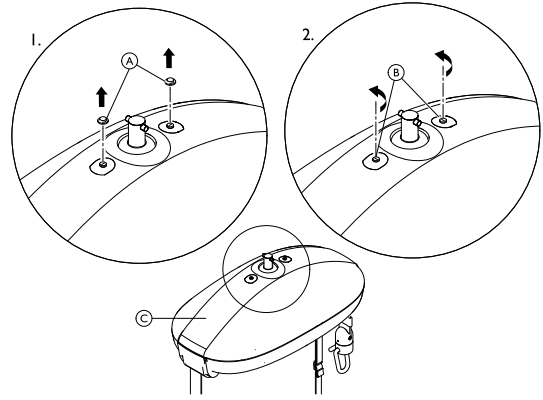


- d. Separate the rail motor from the hoist.



**CAUTION!**  
**Risk of damage**

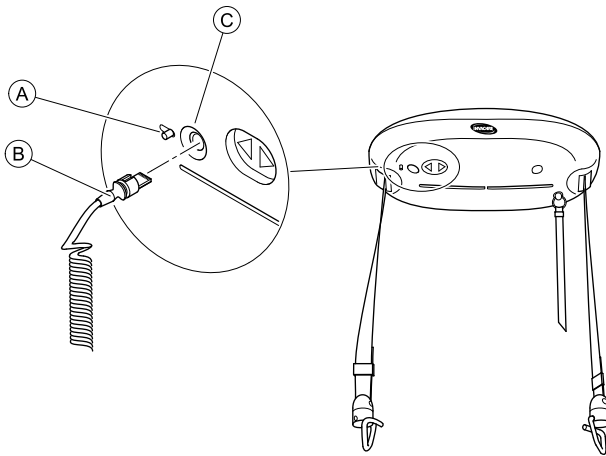
It is possible to remove the hoist from the rail motor without removing the rail motor from the rail system. To avoid damage to the hoist:  
– Always support the hoist when removing the M6 screw.



1. Remove protection caps (A). Use fingers or, if required, use a screw driver carefully.
2. Untighten screws (B), using a screw driver.
3. Remove the cover (C) from the hoist.

To close the hoist cover, tighten the screws and attach the protection caps again.

## 6.2 Replacing the hand control



1. Slide and hold locking lever (A) away from the aperture (C).
2. Pull the plug (B) out of the aperture.
3. Insert plug of the new hand control into aperture. Make sure, the plug is in the correct orientation with the slot upwards (see image).
4. Release lever (A), so that the gate closes and hold the plug in the aperture.

## 6.3 Removing the hoist cover

Before removing the hoist cover, pull the red emergency strap to turn off the hoist and remove the hoist from the track system. Refer to:

- 6.1 Dismounting the ceiling hoist, page 12



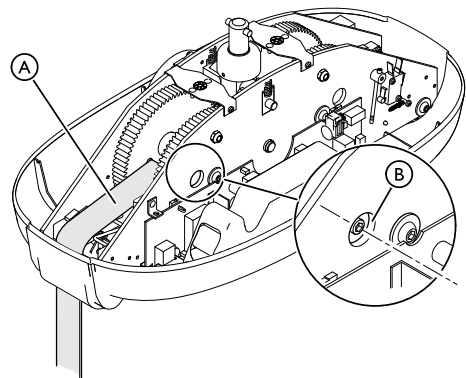
Tools: Screw driver, slotted

## 6.4 Replacing Strap and Hook Assemblies



Tools: 10 mm socket key; 5 mm hex/Allen key

1. With the ceiling hoist in the track, lower the straps to their lowest point using the hand control.
2. Pull the red emergency strap to perform an emergency stop. Do not perform emergency lowering.
3. Remove hoist from track. Refer to 6.1 Dismounting the ceiling hoist, page 12.
4. Remove the cover. Refer to 6.3 Removing the hoist cover, page 13.
5. Reset the emergency stop by pressing the reset button.
6. Check that the strap (A) is completely unwound as shown in the image. If not, wind the straps out using the UP/DOWN button on the hand control.
7. Align the strap retaining bolts (B) with the aperture in the chassis using the UP/DOWN button on the hand control.



8. Pull the red emergency strap again.
9. Remove strap bolts, using a 10 mm socket key and a 5 mm hex/Allen key.
10. Remove the strap through guide cylinder.
11. Insert a new strap through guide cylinder and assemble using the strap retaining bolts (Torque: 4 Nm). Make sure that the new strap is fed over the slack strap switch wire.
12. Re-mount the cover, re-assemble the hoist to the track and reset the emergency stop.

## 6.5 Replacing the battery

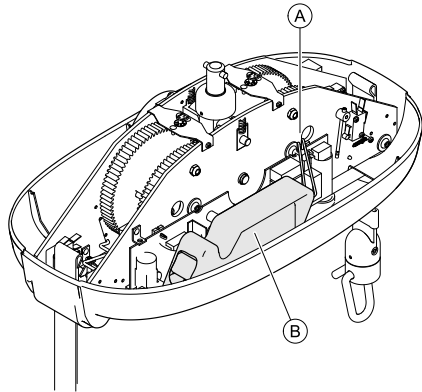


### CAUTION!

Static electricity can damage the PCBs inside the hoist.

Before working in the inside of the hoist:

- Pull the red emergency strap to turn off the hoist.
- Remove the hoist from the track system. (Refer to 6.1 *Dismounting the ceiling hoist, page 12*)
- Remove the cover from the hoist. (Refer to 6.3 *Removing the hoist cover, page 13*)
- An anti-static mat must be used when working inside the ceiling hoist.



1. Unplug the wires (A).
2. Remove the battery pack (B).
3. Insert a new battery pack.



Use only Invacare recommended batteries.

4. Plug in the wires (A).
5. Re-assemble the hoist and reset the emergency stop.

## 6.6 Replacing the PCB (Printed Circuit Board)

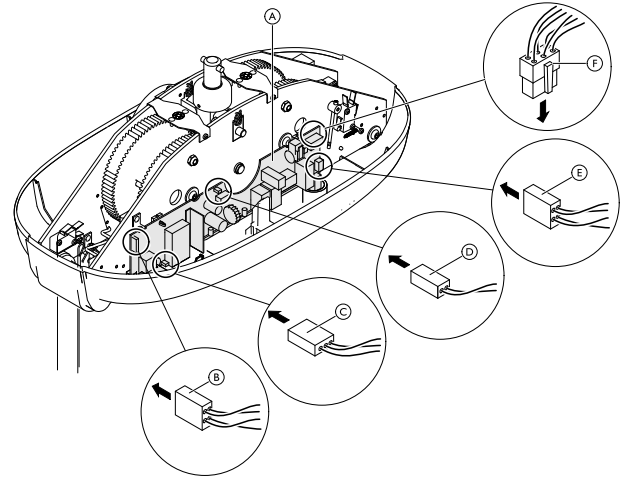


### CAUTION!

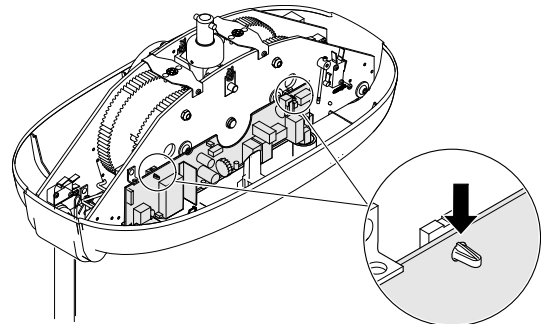
Static electricity can damage the PCBs inside the hoist.

Before working in the inside of the hoist:

- Pull the red emergency strap to turn off the hoist.
- Remove the hoist from the track system. (Refer to 6.1 *Dismounting the ceiling hoist, page 12*)
- Remove the cover from the hoist. (Refer to 6.3 *Removing the hoist cover, page 13*)
- An anti-static mat must be used when working inside the ceiling hoist.



1. Remove the battery. Refer to steps 1 and 2 in chapter 6.5 *Replacing the battery, page 14*.
2. Remove all plugs (B), (C), (D), (E) and (F) from the PCB (A).
3. Release the PCB (A) from the retaining holders by gently pressing down the locking clips and levering the PCB slightly away from the chassis plate.



4. Lift the PCB up to remove.
5. Place the new PCB into the chassis and press it slightly against the chassis plate until the retaining holders snap into place.
6. Connect the plugs (B), (C), (D), (E) and (F) to the new PCB.
7. Re-insert battery, re-assemble the hoist and reset the emergency stop.

## 6.7 Replacing the fuse



### CAUTION!

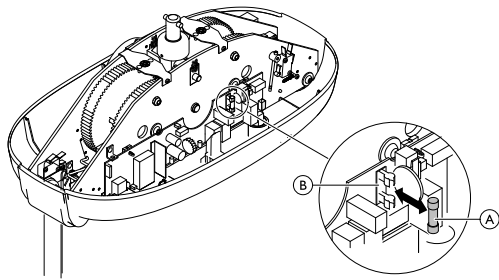
Static electricity can damage the PCBs inside the hoist.


Before working in the inside of the hoist:

- Pull the red emergency strap to turn off the hoist.
- Remove the hoist from the track system. (Refer to 6.1 *Dismounting the ceiling hoist, page 12*)
- Remove the cover from the hoist. (Refer to 6.3 *Removing the hoist cover, page 13*)
- An anti-static mat must be used when working inside the ceiling hoist.

1. Remove the hand control. Refer to chapter 6.2 *Replacing the hand control, page 13*
2. Remove the battery. Refer to steps 1 to 3 in chapter 6.5 *Replacing the battery, page 14*.


3. Gently pull the fuse (A) straight out away from the holder (B).



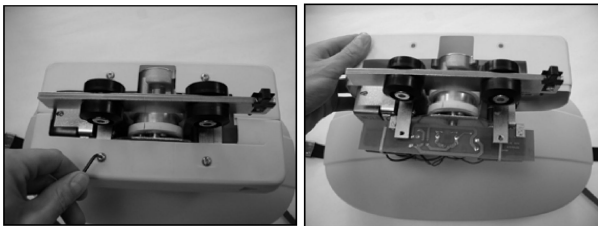
4. Insert new fuse.
  -  Make sure only a fuse with correct rating 10A 250V slow blow is used.
5. Re-insert battery, re-assemble the hoist, insert the hand control and reset the emergency stop.

## 6.8 Adjusting the solenoid until the hoist traverses

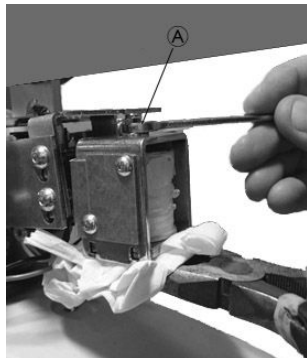
Robin® Mover only.

 4 mm Allen key; 7 mm spanner

1. Pull the red emergency strap.
2. With the ceiling hoist remaining on the track, remove both plastic shells:



- a. Remove the screws securing the plastic shells from the rail motor.
  - b. Pull the plastic shells away from each other to remove them from the rail motor.
3. Using a cloth, protect the solenoid plunger whilst clamping with grips at the same time. Using a 7 mm spanner raise the nut (A) by turning anti-clockwise 2 complete turns.



4. For testing, restrain the hoist with one hand whilst pressing the Left or Right button on the hand control. There should be good contact between the white drive wheel and the underside of the track. If not, repeat step 3.
5. Reassemble the plastic shells. Ensure the correct orientation, with clearance for the plate above the solenoid to move up and down freely. See images in step 2.

## 6.9 Adjusting Loose Strap Switch



### CAUTION!

Static electricity can damage the PCBs inside the hoist.

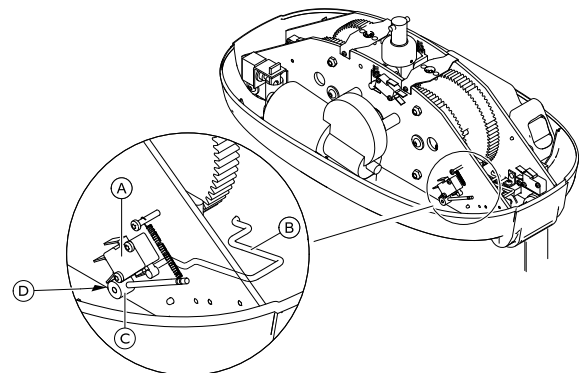
Before working in the inside of the hoist:

- Pull the red emergency strap to turn off the hoist.
- Remove the hoist from the track system. (Refer to 6.1 Dismounting the ceiling hoist, page 12)
- Remove the cover from the hoist. (Refer to 6.3 Removing the hoist cover, page 13)
- An anti-static mat must be used when working inside the ceiling hoist.



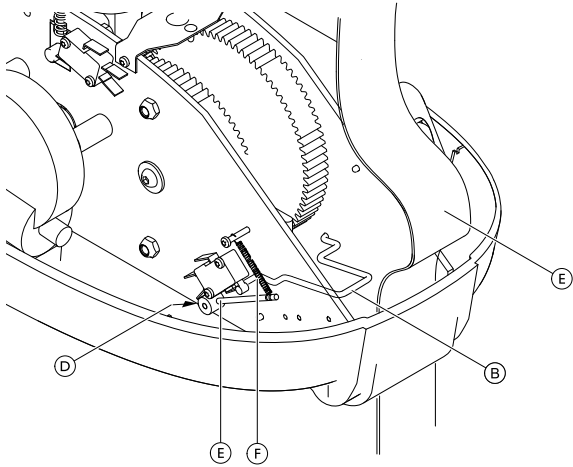
2 mm Allen key

1. Place the hoist on a surface (such as the corner of a table) so that the hoist is supported yet the straps and hand control are free hanging. Ensure the hoist is safe and cannot slip/fall of the table.
2. Locate the loose strap switch (A) and visually check if there is clearance between collet (C) and chassis.



- a. If not: whilst retaining the geometry of the slack strap wire (B) and collet arm, loosen the collet grub screw (D) with a 2 mm Allen key.
  - b. Create clearance between collet and chassis.
  - c. Retighten the collet grub screw.
3. Test the loose strap function. Refer to chapter 7.3 *Checking Loose Strap Function*, page 19. This test can be carried out with the hoist remaining on the table. If the fault is rectified, re-assemble the hoist. If not, continue with step 4.

4. Adjust tension on the slack strap wire:



- a. Loosen the collet grub screw **D** with a 2 mm Allen key. Note the spring **F** will now pull the collet arm **C** against the switch so it is open circuit.
  - b. Lift the strap **E** off the slack strap wire **B** and lift up the slack strap wire.
  - c. Retighten the collet grub screw **D**.
5. Test the loose strap function. Refer to chapter 7.3 *Checking Loose Strap Function, page 19*. This test can be carried out with the hoist remaining on the table.
6. If the fault is rectified, re-assemble the hoist and reset the emergency stop.

### 6.10 Replacing the Twin Speed Switch



**CAUTION!**

Static electricity can damage the PCBs inside the hoist.

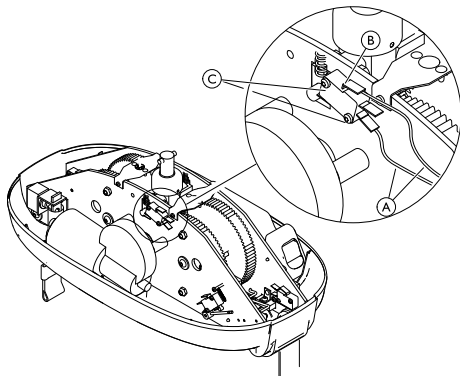
Before working in the inside of the hoist:

- Pull the red emergency strap to turn off the hoist.
- Remove the hoist from the track system. (Refer to 6.1 *Dismounting the ceiling hoist, page 12*)
- Remove the cover from the hoist. (Refer to 6.3 *Removing the hoist cover, page 13*)
- An anti-static mat must be used when working inside the ceiling hoist.



T10 Torx screw driver

1. Place the hoist on a surface (such as the corner of a table) so that the hoist is supported yet the straps and hand control are free hanging. Ensure the hoist is safe and cannot slip/fall off the table.
2. Remove the two yellow cables **A** from the twin speed switch **B**.



3. Remove the two screws **C**.
4. Attach the new twin speed switch with screws **C**. Connect the yellow cables **A**. Ensure, they are connected to the bottom and top terminals.
5. Re-assemble the hoist and reset the emergency stop.

### 6.11 Replace Contact Disc for Robin® Mover



**CAUTION!**

Static electricity can damage the PCBs inside the hoist.

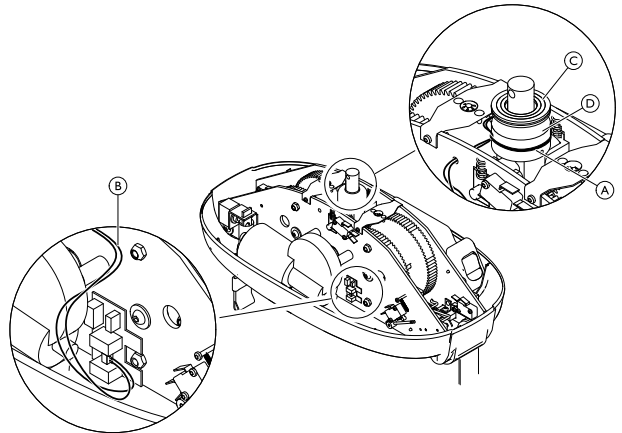
Before working in the inside of the hoist:

- Pull the red emergency strap to turn off the hoist.
- Remove the hoist from the track system. (Refer to 6.1 *Dismounting the ceiling hoist, page 12*)
- Remove the cover from the hoist. (Refer to 6.3 *Removing the hoist cover, page 13*)
- An anti-static mat must be used when working inside the ceiling hoist.



Screwdriver

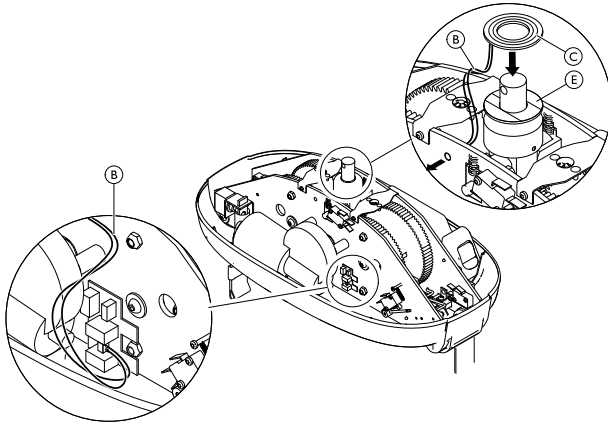
1. Remove the cable tie **A**.
2. Remove the contact disc cables **B** from the Mover PCB, using a terminal screwdriver. Note brown cable top and blue cable bottom. Feed the cables through the chassis plate.



3. Carefully separate and remove the complete contact disc **C** from the suspension base **D** by releasing the self-adhesive tape.
4. Remove, clean off the remains of the self adhesive tape.



5. Fit the new self adhesive tape **E** and the new contact disc **C**.



6. Feed the cables **B** through the chassis plate and connect them to the Mover PCB.
7. Re-assemble the hoist and reset the emergency stop.

## 7 Troubleshooting

### 7.1 Troubleshooting Table

SYMPTOMS	PROBLEM	SOLUTION
Ceiling hoist does not respond to the hand control's buttons and up/down buttons on the ceiling hoist are not responding.	Emergency stop activated	Reset the emergency stop. (Refer to user manual)
	System does not have power or battery is discharged	Charge the battery or use the emergency battery. Refer to 4.1 <i>Charging the Battery, page 8</i> .
	Fuse is blown	Replace the fuse. Refer to 6.7 <i>Replacing the fuse, page 14</i> .
Ceiling hoist does not respond to the hand control's buttons, but up/down buttons on the ceiling hoist are responding.	Hand control not connected properly	Check that the hand control cable is properly plugged into the hoist. Refer to 6.2 <i>Replacing the hand control, page 13</i> .
	Hand control defective	Replace the hand control. Refer to 6.2 <i>Replacing the hand control, page 13</i> .
Lifting straps will only move down and not up.	Battery nearly discharged	Charge the battery or use the emergency battery. Refer to 4.1 <i>Charging the Battery, page 8</i> .
	Load is too high	Reduce the load. The hoist is equipped with an over-current safety system.
Lifting straps will only move up and not down.	Hand control defective	Replace the hand control. Refer to 6.2 <i>Replacing the hand control, page 13</i> .
	The loose strap function activated	Check the loose strap function. Refer to 7.3 <i>Checking Loose Strap Function, page 19</i> .
Ceiling hoist speed is the same with and without load.	Non-load quick movement function activated permanently	Check the quick movement switch. Refer to 7.4 <i>Checking Twin Speed Functionality, page 19</i> .
Lifting straps are twisted and do not straighten out.	Lifting hooks do not turn freely enough	Clean the hooks or replace the straps.
	Straps are frayed	Replace the straps. Refer to 6.4 <i>Replacing Strap and Hook Assemblies, page 13</i> .
Ceiling hoist does not traverse the rails.	Rails require service or cleaning	Inspect the rail system
	Driving wheels worn or damaged (Robin® Mover only)	Adjust driving wheels.
	Hand control is defective	Replace the hand control.
Ceiling hoist emits excessive noise when activated.	Bearings, gearwheels or motor defective	Replace the hoist.
Ceiling hoist will not charge	System has no power	Place the hand control in the charging station and recharge the ceiling hoist
		Check that the power supply is switched on and connected to the charging station.
No indicator light on hoist	System does not have power or battery is discharged.	Check that the ceiling hoist has power supply and that the battery is recharged.
		Check that the power supply is switched on and connected to the charging station.
		Place the hand control in the charging station and recharge the ceiling hoist.
The emergency strap does not turn hoist off	Hoist requires service.	Contact an Invacare representative for repair.
The emergency strap does not lower the hoist.	Hoist requires service.	Contact an Invacare representative for repair.



If problems are not remedied by the suggested means, contact an Invacare representative.

## 7.2 Indicator light and audio signal

### Hoist

Status	Indicator light	Audio signal
Off / Stand by Hoist traversing (Robin® Mover only)	Off	No
Hoist in use (Up/Down)	Blue	No
Low battery	Blue Flashing	Yes

The blue indicator light on the underside of the hoist turns off automatically after 30 seconds.

### Wall Mounted Charger

Status	Indicator light	Duration
Battery not connected	Yellow	n/a
Initializing and analysis of battery	Yellow	12–14 seconds
Fast charge	Red	5 min — 3 hours
Charged (trickle charge)	Green	n/a
Fault condition (battery defect)	Alternating red and green	n/a

## 7.3 Checking Loose Strap Function





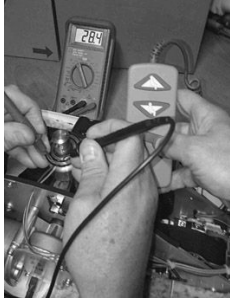

A correctly adjusted loose strap switch ensures that the straps stop lowering when they touch an obstruction.



1. With the ceiling hoist remaining on the track, check there are no obstructions under either strap hook.
2. Place an obstruction under one of the strap hooks, then press and hold the down button on the hand control, Expected result: When the strap hook touches the obstruction, the strap stops lowering.
3. If the strap does NOT stop lowering, adjust the loose strap switch. Refer to chapter 6.9 *Adjusting Loose Strap Switch*, page 15.
4. Repeat steps 2 and 3 for the second strap.

## 7.4 Checking Twin Speed Functionality

1. With the hoist on the track and both straps free from obstructions, press and hold the up button with no load applied. Note speed (40 mm/s) and sound of motor.
2. Whilst continuing to hold the up button, apply a load of at least 10 kg (e.g. by pulling down on both straps). Note the speed reduction (30 mm/s) and motor sound change.
3. If there is no speed reduction, replace the twin speed switch. Refer to chapter 6.10 *Replacing the Twin Speed Switch*, page 16.

## 7.5 Taking Voltage Readings

Read Feeding Voltage	
Take battery voltage feeding PCB. Expected result: 23 to 29 V	
Take voltage feeding main switch (two middle pins) Expected result: 23 to 29 V	
Take voltage feeding the lift motor whilst pressing the UP or DOWN button on the hand control. Expected result: 23 to 29 V	
Take voltage feeding the hoist mover PCB. (Robin® Mover only) Expected result: 23 to 29 V	
Take voltage feeding the copper rings whilst pressing the LEFT or RIGHT button on the hand control. (Robin® Mover only) Expected result: 23 to 29 V	
Take voltage feeding the trolley mover PCB whilst pressing the LEFT or RIGHT button on the hand control. (Robin® Mover only) Expected result: 23 to 29 V	

<b>Read Feeding Voltage</b>	
<p>Take voltage feeding the trolley mover motor whilst pressing the LEFT or RIGHT button on the hand control. (Robin® Mover only)</p>	
<p>Expected result: 23 to 29 V</p>	
<p>Take voltage feeding the solenoid whilst pressing the LEFT or RIGHT button on the hand control. (Robin® Mover only)</p>	
<p>Expected result: 23 to 29 V</p>	

## 8 Technical Data

### 8.1 The rail system

All rail profiles are manufactured in extruded aluminium.

The rails are available with white powder coating.

The rails are available in three different heights; S= 68 mm, M=114 mm and L=183 mm, providing a free span of 2 m, 4 m and 8 m, respectively.

The profile width of all three profiles is 58 mm. The top of the profiles are shaped to permit the coupling of the rails to the installation brackets.

On delivery, the rail for the hoist will feature a milled groove on its bottom. This groove is used for hoist installation and is called keyhole.

#### Possible installations

**Single rail** can be installed on the ceiling or onto the wall and floor. The rail position in the room can be either parallel to a wall or angular in relation to a wall.

**The traverse system** can be installed on the ceiling or onto the wall and floor. The free span between the two parallel rails can be up to 8000 mm.

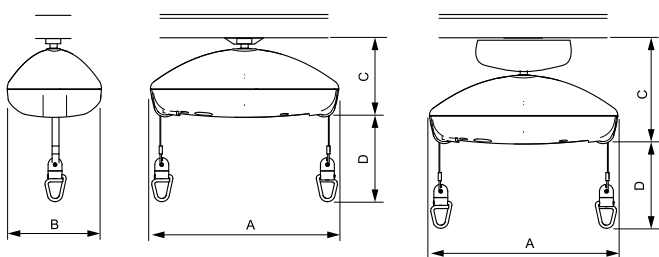
**Curves** are available in the S-profile and can be installed on the ceiling. They are available in angles of 30°, 45°, 60° and 90°.

#### Special solutions

**Installation with pendling brackets** is used in the following cases: When the height of the ceiling varies in the lengthwise direction of the rail, or when the rail is to be countersunk.

**Angular installation** is used when the rail has to be installed in other angles than 90°.

### 8.2 Dimensions and weight




#### Dimensions

	Robin®	Robin® Mover
Hoist length (A)	470 mm	470 mm
Hoist width (B)	250 mm	250 mm
Hoist height (C)	203 mm	266 mm
Maximum lifting range (D)	2.5 m	2.5 m

### Weights

	Robin®	Robin® Mover
Maximum lifting capacity (Safe Working Load)	200 kg	200 kg
Total weight without sling	7.3 kg	10 kg

### 8.3 Electrical System

	Robin®	Robin® Mover
Maximum current input	0.9 A	
Protection class <sup>1</sup>	Entire device: IPx4 (ceiling hoist: IP24; hand control: IP44)	
Insulation class	Class II equipment	
	Type B applied part  Applied part complying with the specified requirements for protection against electrical shock according to IEC60601-1.	
Sound level	50 – 55 dB (A)	
Number of lifts per charge	65 lifts of 0.5 m with 80 kg	
Intermittent (periodic motor operation)	10%, max. 2 min. / 18 min.	
Battery	NiMH Battery 24 V / 1.9 Ah	
Charging time	Up to 3 hours at 20°C	
Lifting speed with 200 kg load	2.1 cm/s	2.1 cm/s
Traverse speed in the tracks	n/a	14 cm/s

#### Charger

Voltage output	During charging: 25 – 36 V DC No-load: 41 V DC
Voltage supply	100 – 240 V AC, 50 – 60 Hz
Protection class <sup>1</sup>	IP41 or IP67 (depending on version)

<sup>1</sup> See product label and label on each electric device for correct protection class. The lowest IP classification decides the overall classification of the device.

- IPx4: Protected against water splashed from any direction.
- IP24: Protected against objects larger than 12.5 mm and protected against water splashed from any direction.
- IP44: Protected against objects larger than 1 mm and protected against water splashed from any direction.
- IP41: Protected against objects larger than 1 mm and protected against vertically dripping water.
- IP67: Dust-tight and protected against temporary immersion into water.

## 8.4 Environmental conditions

	Storage and transportation	Operation
Temperature	-30 °C to +50 °C	+5 °C to +40 °C
Relative humidity	10 % to 70 %	20 % to 90 % at 30 °C, not condensing
Atmospheric pressure	700 hPa to 1060 hPa	



Allow the product to reach operation temperature before usage:

- Warming up from minimum storage temperature might take up to 24 hours.
- Cooling down from maximum storage temperature might take up to 24 hours.

---

# Indholdsfortegnelse

---

FORHANDLER: Opbevar denne manual. Procedurerne i denne manual SKAL udføres af en uddannet tekniker.

<b>1 Generelt</b>	<b>24</b>
1.1 Indledning	24
1.1.1 Symboler i denne manual	24
<b>2 Sikkerhed</b>	<b>25</b>
2.1 Generelle sikkerhedsanvisninger	25
2.2 Løftemotorens hovedkomponenter	25
<b>3 Udpakning</b>	<b>26</b>
3.1 Montering af løftemotoren på skinneresystemet	26
3.1.1 Montering af Robin®	26
3.1.2 Montering af Robin® Mover	26
<b>4 Vedligeholdelse</b>	<b>28</b>
4.1 Opladning af batteriet	28
4.2 Batterivedligeholdelse	28
4.2.1 Opbevaringsegenskaber	28
4.2.2 Opbevaringstemperatur	28
4.2.3 Opbevaringstid	28
4.2.4 Luftfugtighed ved opbevaring	29
4.2.5 Genvinding af kapacitet	29
<b>5 Service</b>	<b>30</b>
5.1 Serviceinterval	30
5.2 Tilspændingsmomenter	30
5.3 Kontrolliste til serviceeftersyn	31
<b>6 Vejledning</b>	<b>32</b>
6.1 Afmontering af løftemotoren	32
6.1.1 Afmontering af Robin®	32
6.1.2 Afmontering af Robin® Mover	32
6.2 Udskiftning af håndbetjeningen	33
6.3 Afmontering af løftemotorens plade	33
6.4 Udskiftning af samlinger til stropper og kroge	33
6.5 Udskiftning af batteriet	34
6.6 Udskiftning af printplade	34
6.7 Udskiftning af sikringen	34
6.8 Indstilling af solenoiden, indtil løftemotoren kører	35
6.9 Justering af kontakten til løse stropper	35
6.10 Udskiftning af den dobbelte hastighedskontakt	36
6.11 Udskiftning af kontaktskive til Robin® Mover	36
<b>7 Fejlfinding</b>	<b>38</b>
7.1 Fejlfindingseskema	38
7.2 Indikatorlampe og lydsignal	39
7.3 Kontrol af funktionen til løse stropper	39
7.4 Kontrol af dobbelt hastighedsfunktion	39
7.5 Registrering af spændings aflæsninger	39
<b>8 Tekniske Data</b>	<b>41</b>
8.1 Skinneresystemet	41
8.2 Mål og vægt	41
8.3 Elektrisk system	41
8.4 Miljøforhold	41

# 1 Generelt

## 1.1 Indledning

Denne manual indeholder oplysninger om samling, indstilling og avanceret vedligeholdelse af produktet. For at garantere sikkerheden ved håndtering af produktet, skal manualen læses omhyggeligt, og sikkerhedsanvisningerne skal følges.

Du kan finde brugsanvisningen på Invacares hjemmeside eller ved at kontakte din Invacare-forhandler. Adresseerne findes i slutningen af denne manual.

Invacare forbeholder sig retten til at ændre produktspecifikationer uden forudgående varsel.

Før denne manual læses, skal det sikres, at det er den nyeste version. Den nyeste version findes i PDF-format på Invacares hjemmeside.

Se oplysninger om forsalg og brugeroplysninger i brugsanvisningen.

Det er muligt at få flere oplysninger om produktet, f.eks. sikkerhedsanvisninger til produkter og tilbagekaldelser af produkter, ved at kontakte din Invacare-forhandler. Adresseerne findes i slutningen af dette dokument.

### 1.1.1 Symboler i denne manual

I denne manual anvendes symboler og signalord til angivelse af faresituationer eller u hensigtsmæssig anvendelse, som kan medføre person- eller produktskader. Se oplysningerne nedenfor for at få en definition af symbolerne.



#### ADVARSEL

Angiver en potentielt farlig situation, som kan resultere i alvorlig kvæstelse eller dødsfald, hvis den ikke undgås.



#### FORSIGTIG

Angiver en potentielt farlig situation, som kan resultere i en mindre eller lille kvæstelse, hvis den ikke undgås.



#### VIGTIGT

Angiver en potentielt farlig situation, som kan resultere i beskadigelse af ejendom, hvis den ikke undgås.



#### Tips og anbefalinger

Giver nyttige tips, anbefalinger og oplysninger, der sikrer en effektiv, problemfri anvendelse.



## 2 Sikkerhed

### 2.1 Generelle sikkerhedsanvisninger



#### ADVARSEL!

##### Risiko for personskade eller produktskade

- Fremgangsmåder i denne manual må kun udføres af en uddannet tekniker.
- Brug kun originalt tilbehør og originale reservedele.
- Undlad at håndtere dette produkt eller nogen former for ekstraudstyr uden først at have læst og forstået denne vejledning og andet instruktionsmateriale som f.eks. brugsanvisninger, installationsmanualer eller instruktionsblade, der leveres sammen med dette produkt eller ekstraudstyret.
- Kontrollér efter hver samling, at alle beslag er spændt korrekt, og at alle dele fungerer korrekt.



#### ADVARSEL!

##### Risiko for forurening

- Rens og desinficer produktet, før der foretages service.



#### VIGTIGT!

Samling af tilbehør er muligvis ikke beskrevet i denne servicemanual. Der henvises til den manual, som fulgte med tilbehøret.

- Yderligere manualer kan bestilles hos Invacare. Adresserne findes i slutningen af dette dokument.



#### VIGTIGT!

Visse udskiftningsdele fås kun som sæt. Brug altid det komplette nye sæt, når en del udskiftes.

- Reservedele kan bestilles hos Invacare. Se den lokale Invacare-hjemmeside for at få adgang til det elektroniske katalog med reservedele.



#### VIGTIGT!

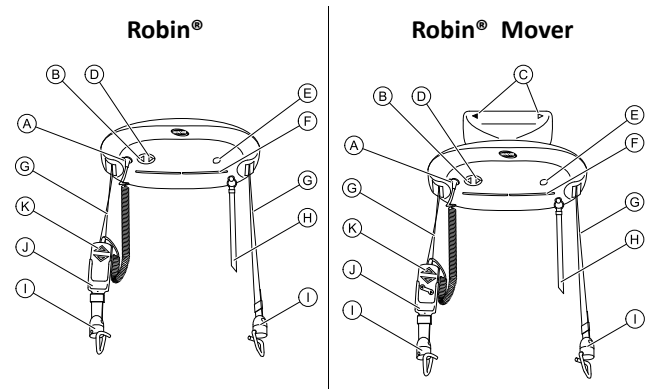
Se brugsanvisningen til dette produkt for at finde oplysninger om

- Tekniske data
- Produktkomponenter
- Mærkater
- Yderligere sikkerhedsanvisninger
- Rengørings- og desinfektionsanvisninger



Oplysningerne i dette dokument kan ændres uden forudgående varsel.

### 2.2 Løftmotorens hovedkomponenter




(A)	Tilslutning til håndbetjening
(B)	Betjeningsknap OP
(C)	Retningspile på Robin® Mover
(D)	Betjeningsknap NED
(E)	Tilslutning til eksternt reservebatteri
(F)	Indikatorlampe
(G)	Løftestopper
(H)	Rød nødstop
(I)	Stropkroge
(J)	Holder til håndbetjening (tilbehør)
(K)	Håndbetjening

## 3 Udpakning


### 3.1 Montering af løftmotoren på skinnerne

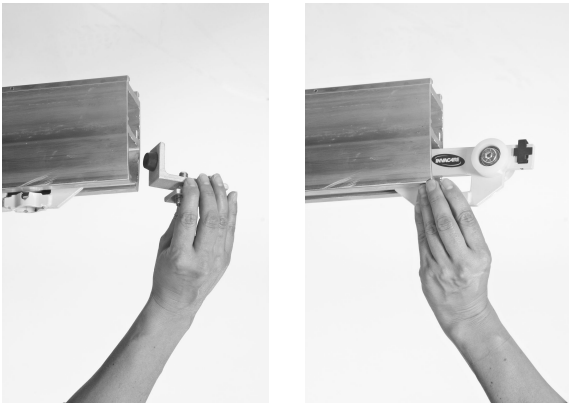
Robin® skal bruges sammen med en kørevogn og fører løftmotoren i skinnerne. Robin® Mover har indbygget kørevogn og kan monteres direkte på skinnerne.

#### 3.1.1 Montering af Robin®


 Værktøj: 4 mm unbrakonøgle; 17 mm topnøgle

1. For at montere kørevognen skal du fjerne det endestop, der er fastgjort til skinnerne.

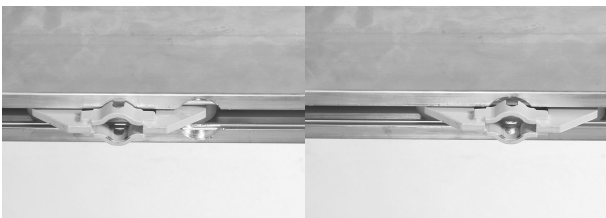
 I visse lande/områder er det påkrævet at dobbeltsikre endestoppene. Hvis der er monteret en ekstra fastgørelsesskrue, skal du først fjerne denne skrue.



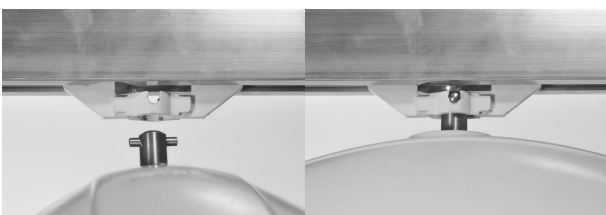
2. Indsæt kørevognen på skinnerne (uanset hvilken retning, da kørevognen er symmetrisk).
3. Indsæt endestoppet igen.

 I visse lande/områder er det påkrævet at dobbeltsikre endestoppene. Hvis der skal monteres en ekstra fastgørelsesskrue, skal du montere denne skrue. Se også *Endestop*.


4. Find kørevognen til løftmotoren ved den runde fordybning med en diameter på 32 mm i skinnerne.

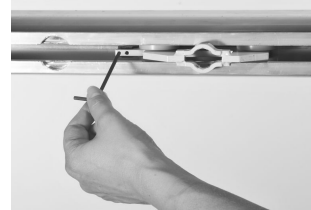


5. Løft løftmotoren, og før affjedningsstiften gennem åbningen til kørevognen.




6. Drej løftmotoren 90 grader for at fastgøre den til kørevognen.
7. Tilslut håndbetjeningen.
8. Juster længden på nødstop-/sænkingsledningen, så den er inden for brugerens rækkevidde.

 Hvis der er betydelig modstand, eller hvis kørevognen utilsigtet ruller af sig selv på grund af ubalance i skinneophængene, skal du justere friktionsbremsen med en 4 mm unbrakonøgle.



#### 3.1.2 Montering af Robin® Mover


Kørevognen er indbygget i løftmotoren og kan derfor ikke monteres på skinnerne på forhånd.

 Værktøj: 4 mm unbrakonøgle; 17 mm topnøgle

1. Fjern endestoppet.



2. Indsæt løftmotorens hjul i skinnerne.

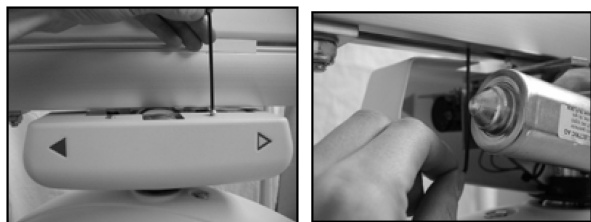
 Det betyder ikke noget, hvilken retning løftmotoren vender i under monteringen.



3. Monter endestoppet.

 Spænd bolten til 30 Nm.

4. Hvis der opleves for meget modstand, når der trækkes i løftmotoren, eller løftmotoren bevæger sig for frit og utilsigtet, skal du justere friktionsbremsen.




5. Tilslut håndbetjeningen.
6. Juster længden på nødstop-/sænkingsledningen, så den er inden for brugerens rækkevidde.


## 4 Vedligeholdelse

### 4.1 Opladning af batteriet

Hvis opladningsstatus er lav, lyder der en lydindikator, og indikatorlampen i bunden af løftmotoren blinker (se også 7.2 Indikatorlampe og lydsignal, side 39). Når dette sker, er der normalt nok strøm til at sænke patienten.

 Det er ikke muligt at bruge personløfteren, mens batteriet oplades.

1. Færdiggør det igangværende løft  
Hvis det igangværende løft aflader batteriet helt, kan der bruges et eksternt reservebatteri til at forsyne personløfteren med strøm midlertidigt. Se *Brug af det eksterne reservebatteri*.
2. Flyt løftmotoren til opladningsstationen.
3. Kontrollér, at håndbetjeningen og opladningsstationen er rene og tørre før opladning
4. Sæt håndbetjeningen i opladningsstationen.  
En gul indikatorlampe på opladeren indikerer, at håndbetjeningen er tilsluttet. Indikatorlampen lyser rødt, når batteriet oplades.
5. Når batteriet er fuldt opladet, skifter indikatorlampen på opladeren til grøn.  
Så længe løftmotoren ikke er i brug, skal håndbetjeningen være placeret i opladningsstationen.
6. Når du vil bruge løftmotoren, skal du tage håndbetjeningen ud af opladeren.

 Ved at sikre, at batterierne er opladede, garanteres personløfterens funktionalitet, og batteriet vedligeholdes med henblik på at sikre lang levetid.

Hvis lydindikator bipper, og den blå indikator på personløfteren blinker, efter at personløfteren er blevet ladet helt op og kun har været i brug i et kort tidsrum, skal batteriet muligvis aflades helt og oplades helt eller udskiftes. Se 4.2 *Batterivedligeholdelse, side 28*.

Hvis løftmotoren ikke skal bruges i over fire uger, anbefaler Invacare, at du frakobler opladeren og trækker i nødstopet.

Opladeren er sluttet til strømforsyningen med en strømstik. Sørg for, at strømstikket er tilgængeligt og kan frakobles, hvis det er nødvendigt.

### 4.2 Batterivedligeholdelse

Hvis lydindikator bipper, og den blå indikator på løftmotoren blinker, efter at løftmotoren er blevet ladet helt op og kun har været i brug i et kort tidsrum, skal batteriet muligvis aflades helt og oplades helt.


For at sikre, at batteriet oplades helt, skal det aflades helt og oplades helt ind imellem.

Efter en lang opbevaringsperiode kan det også være nødvendigt at aflade batteriet helt og oplade det helt.

Det anbefales også, at batteriet aflades helt og oplades helt i situationer, hvor løftmotoren ikke bruges regelmæssigt, og/eller hvor håndbetjeningen sættes i opladeren i længere perioder. I denne situation vil der altid være tilstrækkelig kapacitet til et par løft, men vi anbefaler, at batteriet aflades helt og oplades helt så hurtigt som muligt derefter.

En grundig fuld afladning efterfulgt af fuld opladning af batteriet kan foretages ved at oplade og aflade løftmotoren helt flere gange.

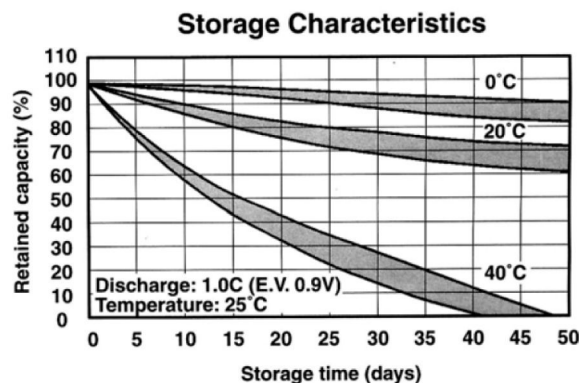
1. Oplad batteriet, indtil LED'en skifter til grøn.
2. Tag håndbetjeningen ud af opladeren.
3. Hæv og sænk stropperne med belastning i et minut.
4. Vent ti minutter.
5. Gentag trin 3-4, indtil batteriet er helt afladet.

 Gentag denne procedure, efter at den hørbare advarselslyd afgives, og den blå lampe blinker for at indikere, at batteriet er ved at løbe tør for strøm.

6. Gentag trin 1-5 to til tre gange.

#### 4.2.1 Opbevaringsegenskaber

Alle genopladelige batterier aflades gradvist over tid, uanset om de bruges eller ej. Dette kapacitetstab opstår normalt som følge af langsomme parasitreaktioner, der foregår inden i batteriet. Tabshastigheden (selvafladningshastigheden) er i sig selv en følgevirkning af batteriets kemiske processer og det temperaturmiljø, som batteriet befinder sig i. På grund af selvafladningsreaktionens temperaturfølsomhed kan relativt små forskelle i opbevaringstemperaturen resultere i kraftige afladninger, som er svære eller umulige at rette op på. For de fleste produktdesignere vedrører problemer med batteriopbevaring enten den hastighed, hvormed batterierne taber deres kapacitet efter at være blevet opladet, eller batteriernes evne til at oplade og aflade "normalt" efter opbevaring i et stykke tid. I begge situationer fungerer de generelle retningslinjer, der er udarbejdet for nikkel-cadmium-batterier, acceptabelt for nikkel-metalhydrid-batterier.



#### 4.2.2 Opbevaringstemperatur

Som allerede nævnt øges selvafladningsreaktionen, i takt med at temperaturen bliver højere. Ved langvarig brug af batterimaterialet mister det energi hurtigere. Risikoen for lækager vil også stige, hvilket resulterer i reduceret batterilevetid. Ved opbevaring i længere tid anbefales det, at batterierne opbevares ved stuetemperatur eller derunder (0-30 °C eller 32-86 °F).

#### 4.2.3 Opbevaringstid

Når batteriet mister energi under opbevaring, falder spændingsniveauet også. Generelt kan tab af batterikapacitet på grund af selvafladning genvindes ved at lade batteriet op. Hvis batteriet opbevares i over seks måneder, anbefales det at aflade og genoplade batteriet flere gange, så det kan genvinde batterikapaciteten. Brug

gode lagerprocedurer (først ind, først ud) til at reducere det tidsrum, som batterier bliver opbevaret på lager i.

#### **4.2.4 Luftfugtighed ved opbevaring**

Lækage og rust i metaldele accelereres i miljøer med høj luftfugtighed, især hvis der er høje temperaturer. Opbevaring i miljøer med høj fugtighed og høje temperaturer kan ikke anbefales.

#### **4.2.5 Genvinding af kapacitet**

Under normal drift vil opbevarede batterier levere fuld kapacitet ved den første afladning efter at have taget dem i brug efter opbevaring og opladet dem med standardmetoder. Batterier, der opbevares i en længere periode eller ved højere temperaturer, kræver muligvis mere end én cyklus, før de har genvundet deres tidligere lagringskapacitet. Det anbefales, at du rådfører dig med producenten, hvis du skal opbevare batterier i længere tid, og du ønsker at genvinde den fulde kapacitet hurtigt.

## 5 Service

### 5.1 Serviceinterval

Medmindre andet er anført i de lokale krav, skal der foretages et serviceeftersyn mindst hver 12. måned i overensstemmelse med kontrollisten til serviceeftersyn. I forbindelse med det årlige eller rutinemæssige serviceeftersyn skal alle dele, der belastes, som minimum testes med maksimal belastning. Alle sikkerhedsanordninger skal kontrolleres i henhold til ISO 10535:2006 bilag B.

Inspektionshyppigheden skal øges, hvis produktet kontinuerligt udsættes for høj fugtighed, høj kondensering og korrosiver (fx klor- eller ammoniak-gasser), for at forhindre forringelse af produktet.

### 5.2 Tilspændingsmomenter



#### VIGTIGT

Overspænd ikke monteringsbeslagene, da dette kan medføre beskadigelse af produktet.

Hvis andet ikke er angivet i de specifikke anvisninger, gælder følgende retningslinjer:

Gevind	Tilspændingsmoment i nm ± 10 %
M4	3 nm
M5	6 nm
M6	10 nm
M8	25 nm
M10	49 nm
M12	80 nm
M16	180 nm

## 5.3 Kontrolliste til serviceeftersyn

### Skinnesystem

- Kontrollér, at alle beslag er fastgjort korrekt til loftet/væggen. Spænd dem igen, hvis det er nødvendigt.
- Kontrollér forstærkningerne. Hvis det ikke er muligt, skal du udføre en belastningstest med 1,5 x den klassificerede belastning i 20 minutter.
- Kontrollér endestoppene, og spænd dem igen.
- Systemer med skinneforbindelser: Kontrollér, om forbindelsen er blevet fejljusteret under brug. Justér igen, hvis det er nødvendigt.
- Kontrollér kørevognen og traverskørevognen.
- Kontrollér kørevognens hjul for glidende bevægelse og unormal støj.
- Kontrollér friktionsbremseindstillingen på kørevognene. Justér, hvis det er nødvendigt.
- Udfør en belastningstest med klassificeret belastning hele vejen gennem systemet.
- Påsæt en mærkat med en ny dato for det næste eftersyn.

### Skinnesystem med transitkoblingsforbindelser:

- Kontrollér låseanordningerne:
  - fastgør til skinnerne
  - hver klo bevæger sig uafhængigt af de andre
  - korrekt justeret i forhold til skinneåbningerne
  - ingen forhindringer for korrekt drift
  - sikkerhedspladen er monteret.
- Kontrollér monteringsanordningerne på traverskørevognen.
- Kontrollér skinnernes indbyrdes placering. Justér igen, hvis det er nødvendigt.
- Udfør en funktionstest på transitkoblingen/låseanordningen (10 gange – deaktiver venstre/højre klo x 5).
- Kontrollér, at mellemrummet mellem skinnen og transitkoblingen er maks. 3 mm.
- Funktionstest under belastning (5 omgange med sikker arbejdsbelastning).
- Kontrollér, at indlægspladen er monteret (L- og M-skinne).

### Løftemotor

- Kontrollér affjedringen og krydsstiften.
- Kontrollér stål- og plastiktandhjul for slitage og skader.  
Hvis tandhjulene er tørre, skal der påføres smøremiddel.
- Kontrollér sensoren for løse stropper, og justér om nødvendigt.
- Kontrollér stropperne for slitage og skader.
- Kontrollér styringscylinderen og endestoppene.
- Kontrollér løftekrøge, skruer og stifter for slitage og skader.
- Kontrollér, at der er placeret en mærkat med den maksimale belastning på personløfteren.
- Udfør en fuld løftecyklus med klassificeret belastning. Den skal være problemfri og uden skurrende lyde.
- Påsæt en mærkat med en ny dato for næste eftersyn.

### Elektriske tilslutninger

- Kontrollér, at alle kabler er intakte.
- Kontrollér, om der er revner i kabler og på isoleringen.
- Kontrollér mikrokontakterne for blokering og mekanisk drift.
- Kontrollér opladeren for skader og funktion.
- Kontrollér håndbetjeningen for skader og funktion. Sørg for, at håndbetjeningen er tilsluttet korrekt.
- Kontrollér nødstopfunktionen.
- Kontrollér nødsænkingsfunktionen.

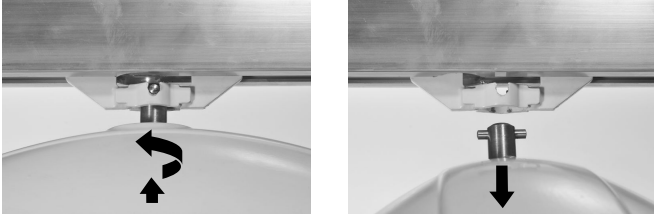
Serienummer:	
Dato for eftersyn:	
Efterset af:	
Bemærkninger:	

## 6 Vejledning

### 6.1 Afmontering af løftmotoren

#### 6.1.1 Afmontering af Robin®

Fjern løftmotoren fra kørevognen



1. Løft løftmotoren en smule, og før affjedringsstiften ud af sin holder og ind i kørevognen.
2. Drej løftmotoren 90 grader, og træk den ud af kørevognen.

Fjern kørevognen fra skinnen

1. Fjern endestoppet.
2. Skub kørevognen ud af skinnen.

#### 6.1.2 Afmontering af Robin® Mover


1. Træk i nødstoppen for at forhindre utilsigtet aktivering af løftmotoren, efter at den er blevet afmonteret fra skinnen.
2. Fjern endestoppet.



3. Skub løftmotorens hjul ud af skinnen.




4. Montér endestoppet.

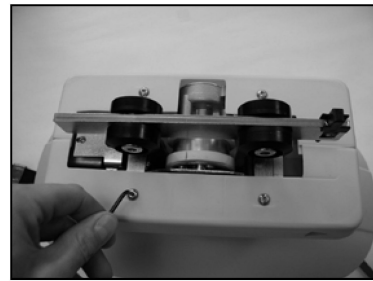
 Spænd bolten til 30 Nm.



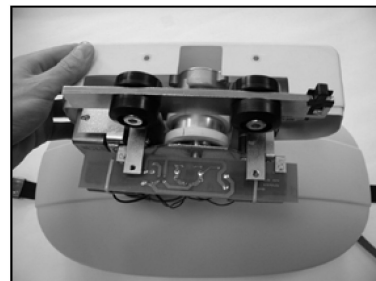
5. Hvis du fjerner løftmotoren fra skinnemotoren, skal du bruge følgende fremgangsmåde:

 Når du udskifter batteriet eller udfører service, er det også nødvendigt at fjerne løftmotoren fra skinnemotoren.

- a. Fjern de skruer, der holder plastikskallerne fra skinnemotoren på plads.



- b. Træk plastikskallerne væk fra hinanden for at fjerne dem fra skinnemotoren.

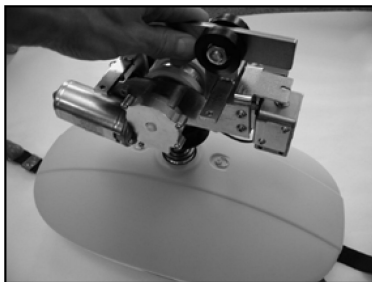


- c. Fjern den M6-skruer, der holder skinnemotoren fast på løftmotoren.



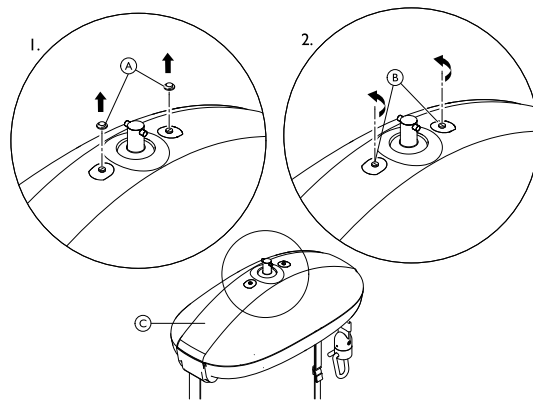
- d. Adskil skinnemotoren fra løftmotoren.





**FORSIGTIG!**  
**Risiko for beskadigelse**

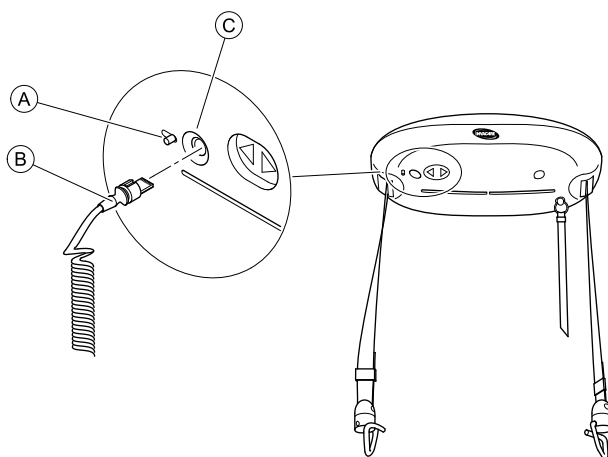
Det er muligt at fjerne løftmotoren fra skinnemotoren uden at fjerne skinnemotoren fra skinnesystemet. Sådan undgår du at beskadige løftmotoren:  
– Sørg altid for at støtte løftmotoren, når du fjerner M6-skruen.



1. Fjern beskyttelseshætterne (A). Brug fingrene eller – hvis det er nødvendigt – brug en skruetrækker med stor forsigtighed.
2. Løsn skrueerne (B) ved hjælp af en skruetrækker.
3. Fjern pladen (C) fra løftmotoren.

Du kan lukke pladen til løftmotoren ved at spænde skrueerne og fastgøre beskyttelseshætterne igen.

## 6.2 Udskiftning af håndbetjeningen



1. Skub og hold låsehåndtaget (A) væk fra åbningen (C).
2. Træk stikket (B) ud af åbningen.
3. Sæt stikket til den nye håndbetjening ind i åbningen. Sørg for, at stikket sidder i den rigtige retning med hullet opad (se billede).
4. Slip håndtaget (A), så lågen lukker, og hold stikket fast i åbningen.

## 6.3 Afmontering af løftmotorens plade

Før du fjerner løftmotorens plade, skal du trække i den røde nødstop for at slukke løftmotoren og derefter fjerne løftmotoren fra skinnesystemet. Se:

- 6.1 Afmontering af løftmotoren, side 32



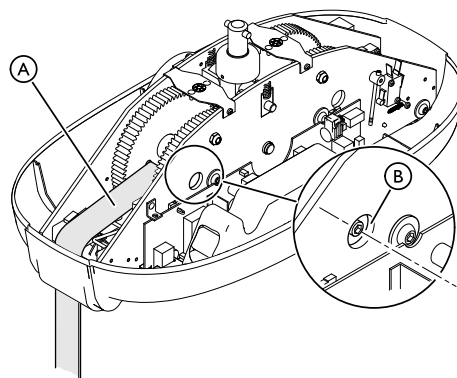
Værktøj: Skruetrækker med kær

## 6.4 Udskiftning af samlinger til stropper og kroge



Værktøj: 10 mm topnøgle; 5 mm unbrakonøgle

1. Mens løftmotoren er på skinnen, skal du sænke stropperne til deres laveste punkt med håndbetjeningen.
2. Træk i den røde nødstop for at udføre et nødstop. Undlad at udføre nødsænkning.
3. Fjern løftmotoren fra skinnen. Se 6.1 Afmontering af løftmotoren, side 32.
4. Afmonter betrækket. Se 6.3 Afmontering af løftmotorens plade, side 33.
5. Du kan nulstille nødstopfunktionen ved at trykke på nulstillingsknappen.
6. Kontrollér, at stroppen (A) er helt viklet ud som vist på billedet. Hvis ikke, skal du vikle stropperne ud ved at trykke på OP/NED-knappen på håndbetjeningen.
7. Ret stropholdeboltene (B) ind efter åbningen i chassiset ved hjælp af OP/NED-knappen på håndbetjeningen.



8. Træk i den røde nødstop igen.
9. Tag stropboltene ud med en 10 mm topnøgle og en 5 mm unbrakonøgle.
10. Tag stroppen ud gennem styringscylinderen.

11. Indsæt en ny strop gennem styringscylinderen, og saml den ved hjælp af stropholdeboltene (moment: 4 Nm). Sørg for, at den nye strop sættes over det løsthængende stropkontaktkabel.
12. Sæt betrækket på plads igen, saml løftmotoren på skinnen igen, og nulstil nødstopfunktionen.

## 6.5 Udskiftning af batteriet

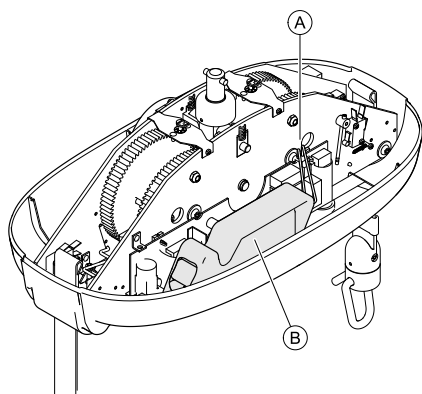


### FORSIGTIG!

Statisk elektricitet kan beskadige printpladerne inden i løftmotoren.

Inden du begynder at arbejde inden i løftmotoren:

- Træk i den røde nødstop for at slukke løftmotoren.
- Fjern løftmotoren fra skinnesystemet. (Se 6.1 Afmontering af løftmotoren, side 32)
- Fjern pladen fra løftmotoren. (Se 6.3 Afmontering af løftmotorens plade, side 33)
- Der skal bruges en anti-statisk måtte, når du arbejder inden i løftmotoren.



1. Tag kablerne A ud af stikket.
2. Fjern batterisættet B.
3. Indsæt et nyt batterisæt.



Brug kun batterier, der anbefales af Invacare.

4. Isæt kablerne A.
5. Saml løftmotoren igen, og nulstil nødstopfunktionen.

## 6.6 Udskiftning af printplade

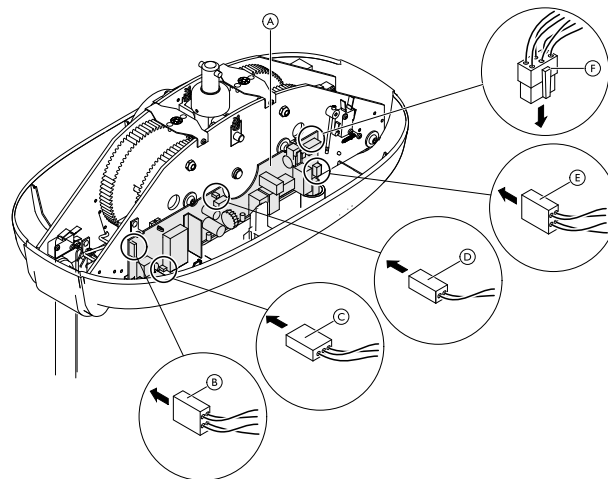


### FORSIGTIG!

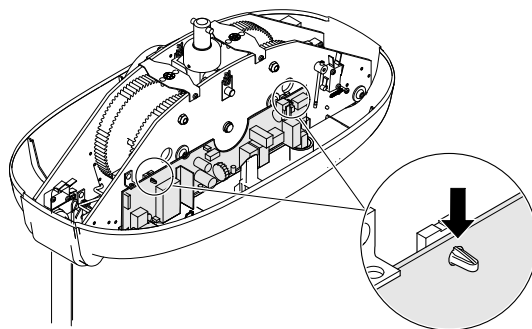
Statisk elektricitet kan beskadige printpladerne inden i løftmotoren.

Inden du begynder at arbejde inden i løftmotoren:

- Træk i den røde nødstop for at slukke løftmotoren.
- Fjern løftmotoren fra skinnesystemet. (Se 6.1 Afmontering af løftmotoren, side 32)
- Fjern pladen fra løftmotoren. (Se 6.3 Afmontering af løftmotorens plade, side 33)
- Der skal bruges en anti-statisk måtte, når du arbejder inden i løftmotoren.



1. Tag batteriet ud. Se trin 1 og 2 i kapitel 6.5 Udskiftning af batteriet, side 34.
2. Tag alle stikkene B, C, D, E og F ud af printpladen A.
3. Frigør printpladen A fra holderne ved at trykke forsigtigt ned på låseclipsene og fjern printpladen en smule fra chassispladen.



4. Løft printpladen opad for at fjerne den.
5. Placer den nye printplade i chassiset, og tryk den let ned mod chassispladen, indtil holderne klikker på plads.
6. Kobl stikkene B, C, D, E og F til den nye printplade.
7. Sæt batteriet på plads igen, saml løftmotoren, og nulstil nødstopfunktionen.

## 6.7 Udskiftning af sikringen



### FORSIGTIG!

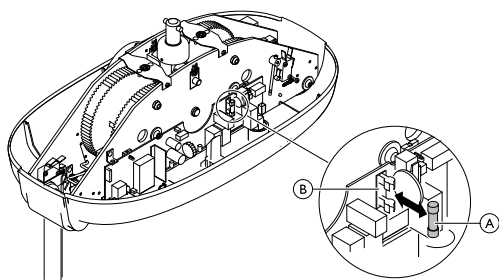
Statisk elektricitet kan beskadige printpladerne inden i løftmotoren.

Inden du begynder at arbejde inden i løftmotoren:

- Træk i den røde nødstop for at slukke løftmotoren.
- Fjern løftmotoren fra skinnesystemet. (Se 6.1 Afmontering af løftmotoren, side 32)
- Fjern pladen fra løftmotoren. (Se 6.3 Afmontering af løftmotorens plade, side 33)
- Der skal bruges en anti-statisk måtte, når du arbejder inden i løftmotoren.

1. Fjern håndbetjeningen. Se kapitel 6.2 Udskiftning af håndbetjeningen, side 33
2. Tag batteriet ud. Se trin 1 til 3 i kapitel 6.5 Udskiftning af batteriet, side 34.

- Træk forsigtigt sikringen (A) direkte ud og væk fra holderen (B).



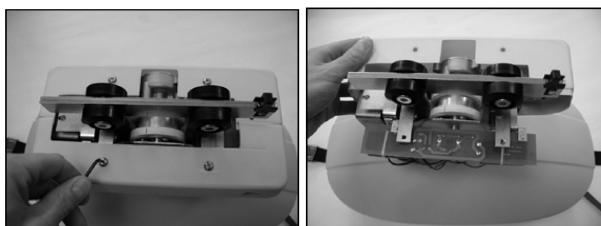
- Indsæt en ny sikring.
  - ! Sørg for, at der kun anvendes sikringer med den korrekte klassificering (10 A, 250 V, slow blow).
- Indsæt batteriet igen, saml løftmotoren igen, indsæt håndbetjeningen, og nulstil nødstopfunktionen.

## 6.8 Indstilling af solenoiden, indtil løftmotoren kører

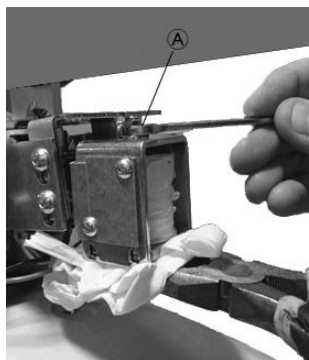
Kun Robin® Mover.

4 mm unbrakonøgle; 7 mm fastnøgle

- Træk i den røde nødstop.
- Mens løftmotoren stadig er på skinnen, skal du fjerne begge plastikskaller:



- Fjern de skruer, der holder plastikskallerne fra skinnemotoren på plads.
  - Træk plastikskallerne væk fra hinanden for at fjerne dem fra skinnemotoren.
- Brug en klud til at beskytte solenoidestemplet, mens du klemmer fast med gribeklemmer på samme tid. Brug en 7 mm gaffelnøgle til at hæve møtrikken (A) ved at dreje to hele omgange mod uret.



- Til testen skal du fastgøre løftmotoren med en hånd, mens du trykker på venstre- eller højre-knappen på håndbetjeningen. Der skal være god kontakt mellem det hvide drivhjul og undersiden af skinnen. Hvis ikke, skal du gentage trin 3.
- Monter plastikskallerne igen. Sørg for, at retningen er korrekt, og at der er frigang for pladen over solenoiden, så pladen kan bevæge sig frit op og ned. Se billeder i trin 2.

## 6.9 Justering af kontakten til løse stropper



### FORSIGTIG!

Statisk elektricitet kan beskadige printpladerne inden i løftmotoren.

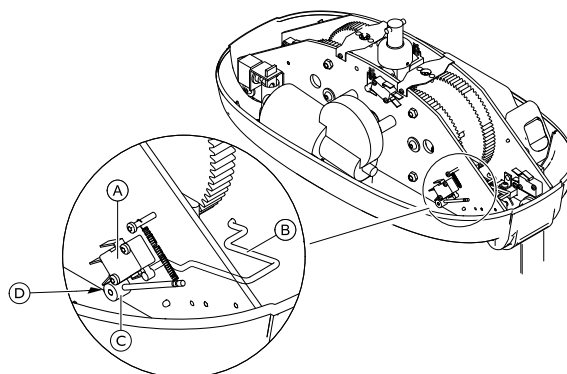
Inden du begynder at arbejde inden i løftmotoren:

- Træk i den røde nødstop for at slukke løftmotoren.
- Fjern løftmotoren fra skinnesystemet. (Se 6.1 Afmontering af løftmotoren, side 32)
- Fjern pladen fra løftmotoren. (Se 6.3 Afmontering af løftmotorens plade, side 33)
- Der skal bruges en anti-statisk måtte, når du arbejder inden i løftmotoren.



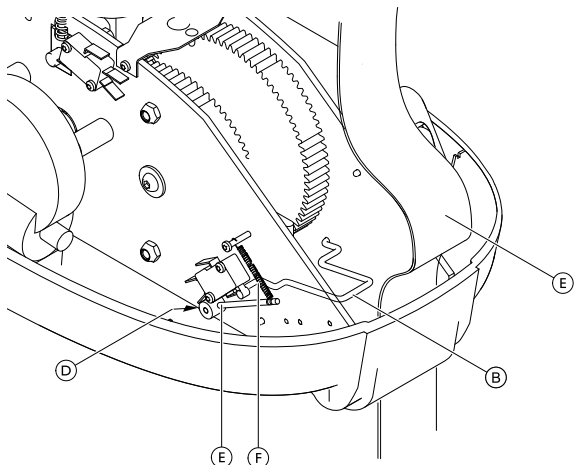
2 mm unbrakonøgle

- Placer løftmotoren på en overflade (f.eks. hjørnet af et bord), så løftmotoren støttes, men stropperne og håndbetjeningen samtidig hænger frit ned. Sørg for, at løftmotoren er sikker og ikke kan glide/falde ned ad bordet.
- Find frem til kontakten til løse stropper (A), og kontrollér visuelt, om der er frigang mellem spændepatronen (C) og chassiset.



- Hvis ikke: mens du bevarer formen for det løsthængende stropkabel (B) og spændepatronens arm, skal du løsne spændepatronens sætskrue (D) med en 2 mm unbrakonøgle.
  - Sørg for, at der er frigang mellem spændepatron og chassis.
  - Stram spændepatronens sætskrue igen.
- Test funktionen til løse stropper. Se kapitel 7.3 Kontrol af funktionen til løse stropper, side 39. Denne test kan udføres, mens løftmotoren stadig er på bordet. Hvis fejlen bliver rettet, skal du samle løftmotoren igen. Hvis ikke, skal du gå videre til trin 4.

4. Indstil stramningen af det løsthængende stropkabel:



- a. Løsn spændepatronens sætskrue **D** med en 2 mm unbrakonøgle. Bemærk, at fjederen **F** nu trækker spændepatronens arm **C** ind mod kontakten, så det er en åben strømkreds.
  - b. Løft stroppen **E** væk fra det løsthængende stropkabel **B**, og løft det løsthængende stropkabel op.
  - c. Stram spændepatronens sætskrue igen **D**.
5. Test funktionen til løse stropper. Se kapitel 7.3 *Kontrol af funktionen til løse stropper*, side 39. Denne test kan udføres, mens løftmotoren stadig er på bordet.
6. Hvis fejlen bliver rettet, skal du samle løftmotoren på skinnen igen og nulstille nødstopfunktionen.

### 6.10 Udskiftning af den dobbelte hastighedskontakt



**FORSIGTIG!**

Statisk elektricitet kan beskadige printpladerne inden i løftmotoren.

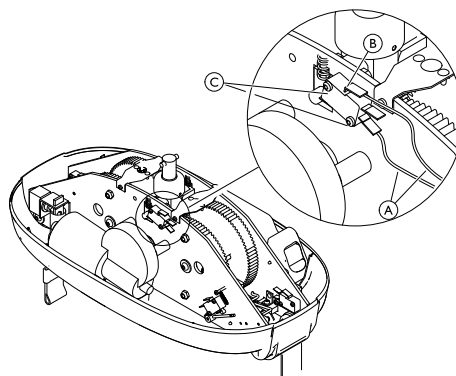
Inden du begynder at arbejde inden i løftmotoren:

- Træk i den røde nødstop for at slukke løftmotoren.
- Fjern løftmotoren fra skinneresystemet. (Se 6.1 *Afmontering af løftmotoren*, side 32)
- Fjern pladen fra løftmotoren. (Se 6.3 *Afmontering af løftmotorens plade*, side 33)
- Der skal bruges en anti-statisk måtte, når du arbejder inden i løftmotoren.



Torx-skruetrækker, T10

1. Placér løftmotoren på en overflade (f.eks. hjørnet af et bord), så løftmotoren støttes, men stropperne og håndbetjeningen samtidig hænger frit ned. Sørg for, at løftmotoren er sikker og ikke kan glide/falde ned ad bordet.
2. Tag de to gule kabler **A** ud af den dobbelte hastighedskontakt **B**.



3. Tag de to skruer **C** ud.
4. Fastgør den nye dobbelte hastighedskontakt med skruer **C**. Tilslut de gule kabler **A**. Sørg for, at de er sluttet til terminalerne øverst og nederst.
5. Saml løftmotoren igen, og nulstil nødstopfunktionen.

### 6.11 Udskiftning af kontaktskive til Robin® Mover



**FORSIGTIG!**

Statisk elektricitet kan beskadige printpladerne inden i løftmotoren.

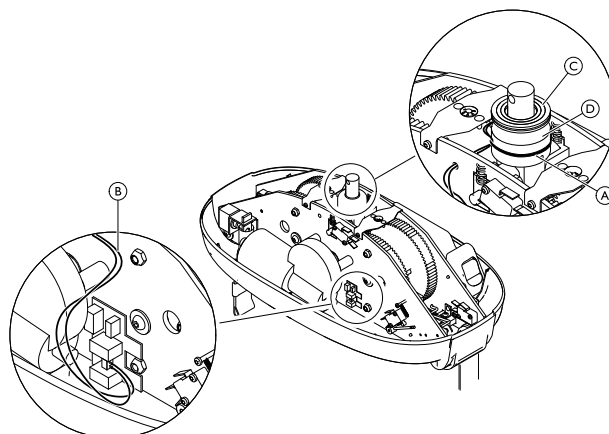
Inden du begynder at arbejde inden i løftmotoren:

- Træk i den røde nødstop for at slukke løftmotoren.
- Fjern løftmotoren fra skinneresystemet. (Se 6.1 *Afmontering af løftmotoren*, side 32)
- Fjern pladen fra løftmotoren. (Se 6.3 *Afmontering af løftmotorens plade*, side 33)
- Der skal bruges en anti-statisk måtte, når du arbejder inden i løftmotoren.

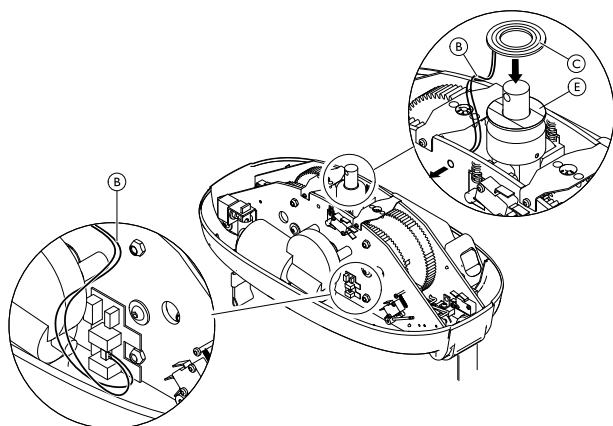


Skruetrækker

1. Fjern kabelbinderen **A**.
2. Fjern kontaktskivekablerne **B** fra printpladen med en flad skruetrækker. Bemærk, at oversiden af kablet er brun, og undersiden af kablet er brun. Fremfør kablerne gennem chassispladen.



3. Adskil og fjern omhyggeligt hele kontaktskiven © fra affjedringsbasen ④ ved at løsne den selvklæbende tape.
4. Fjern og resten af den selvklæbende tape, eventuelt ved at rengøre stedet.
5. Påsæt ny selvklæbende tape ⑤ og den nye kontaktskive ©.
6. Fremfør kablerne ⑥ gennem chassispladen, og kobl dem til printpladen.
7. Saml løftmotoren igen, og nulstil nødstopfunktionen.



## 7 Fejlfinding

### 7.1 Fejlfindingskema

SYMPTOMER	PROBLEM	LØSNING
Løftmotoren reagerer ikke på håndbetjeningens knapper, og op/ned-knapperne på løftmotoren fungerer ikke.	Nødstoppet er aktiveret	Nulstil nødstoppet. (Se brugsanvisningen)
	Der er ikke strøm på systemet, eller batteriet er afladet	Oplad batteriet, eller brug nødbatteriet. Se 4.1 <i>Opladning af batteriet, side 28.</i>
	Der er sprunget en sikring	Udskift sikringen. Se 6.7 <i>Udskiftning af sikringen, side 34.</i>
Løftmotoren reagerer ikke på håndbetjeningens knapper, men op/ned-knapperne på løftmotoren fungerer.	Håndbetjeningen er ikke tilsluttet korrekt	Kontrollér, at kablet til håndbetjeningen er sat korrekt ind i løftmotoren. Se 6.2 <i>Udskiftning af håndbetjeningen, side 33.</i>
	Fejl i håndbetjeningen	Udskift håndbetjeningen. Se 6.2 <i>Udskiftning af håndbetjeningen, side 33.</i>
Løftestropperne kan kun bevæge sig nedad og ikke opad.	Batteriet er næsten afladet	Oplad batteriet, eller brug nødbatteriet. Se 4.1 <i>Opladning af batteriet, side 28.</i>
	Belastningen er for stor	Reducer belastningen. Personløfteren er udstyret med et sikkerhedssystem med overspænding.
Løftestropperne kan kun bevæge sig opad og ikke nedad.	Fejl i håndbetjeningen	Udskift håndbetjeningen. Se 6.2 <i>Udskiftning af håndbetjeningen, side 33.</i>
	Funktionen til løse stropper er aktiveret	Kontrollér funktionen til løse stropper. Se 7.3 <i>Kontrol af funktionen til løse stropper, side 39.</i>
Løftmotorens hastighed er den samme både med og uden belastning.	Hurtigfunktionen, som kan anvendes uden belastning, er aktiveret permanent	Kontrollér lynbevægelseskontakten. Se 7.4 <i>Kontrol af dobbelt hastighedsfunktion, side 39.</i>
Løftestropperne er snoede og kan ikke rettes ud.	Løftekroge kan ikke drejes tilstrækkeligt frit	Rengør kroge, eller udskift stropperne.
	Stropperne er flossede	Udskift stropperne. Se 6.4 <i>Udskiftning af samlinger til stropper og kroge, side 33.</i>
Løftmotoren kører ikke på skinnerne.	Skinnerne kræver eftersyn eller rengøring	Efterse skinnerne
	Kørehjulene er slidte eller beskadigede (kun Robin® Mover)	Indstil kørehjulene.
	Der er fejl i håndbetjeningen	Udskift håndbetjeningen.
Løftmotoren afgiver unormal støj, når den er aktiveret.	Fejl i lejer, tandhjul eller motor	Udskift løftmotoren.
Løftmotoren oplades ikke	Der er ikke strøm på systemet	Sæt håndbetjeningen i opladningsstationen, og oplad løftmotoren Kontrollér, at strømforsyningen er tændt og koblet til opladningsstationen.
Der er ikke noget indikatorlys på løftmotoren	Der er ikke strøm på systemet, eller batteriet er afladet.	Kontrollér, at der er strømforsyning til løftmotoren, og at batteriet er opladet.
		Kontrollér, at strømforsyningen er tændt og koblet til opladningsstationen.
		Sæt håndbetjeningen i opladningsstationen, og oplad løftmotoren.
Nødstoppen slukker ikke løftmotoren	Personløfteren skal have et serviceeftersyn.	Kontakt en Invacare-forhandler med henblik på reparation.
Nødstoppen sænker ikke løftmotoren.	Personløfteren skal have et serviceeftersyn.	Kontakt en Invacare-forhandler med henblik på reparation.

🛠 Kontakt en Invacare-forhandler, hvis problemerne ikke kan løses med de foreslåede metoder.

## 7.2 Indikatorlampe og lydsignal

### Løftemotor

Status	Indikatorlampe	Lydsignal
Slukket/standby Bevægelse af løftemotor (kun Robin® Mover)	Slukket	Nej
Løftemotor i brug (op/ned)	Blå	Nej
Lavt batteriniveau	Blå lampe blinker	Ja

Den blå indikatorlampe på undersiden af løftemotoren slukker automatisk efter 30 sekunder.

### Vægmonteret oplader

Status	Indikatorlampe	Varighed
Batteri ikke tilsluttet	Gul	Ikke relevant
Initialisering og analyse af batteriet	Gul	12-14 sekunder
Hurtig opladning	Rød	5 minutter til 3 timer
Opladet (vedligeholdelsesopladning)	Grøn	Ikke relevant
Fejltilstand (defekt batteri)	Skiftevis rød og grøn	Ikke relevant

## 7.3 Kontrol af funktionen til løse stropper

En korrekt indstillet kontakt til løse stropper sikrer, at stropperne ikke sænkes længere ned, når de berører en forhindring.

1. Mens løftemotoren stadig er på skinnen, skal du kontrollere, at der ikke er nogen forhindringer under nogen af stropkroge.
2. Sæt en forhindring under en af stropkroge, og hold derefter ned-knappen på håndbetjeningen nede, Forventet resultat: Når stropkroge rører ved forhindringer, sænkes stroppen ikke længere ned.
3. Hvis stroppen IKKE stopper med at blive sænket ned, skal du indstille kontakten til løse stropper. Se kapitel 6.9 *Justering af kontakten til løse stropper*, side 35.
4. Gentag trin 2 og 3 for den anden strop.

## 7.4 Kontrol af dobbelt hastighedsfunktion

1. Mens løftemotoren er på skinnen, og begge stropper er fri af forhindringer, skal du holde op-knappen nede uden belastning. Læg mærke til hastigheden (40 mm/sek.) og motorlyden.
2. Mens du stadig holder op-knappen nede, skal du lægge en belastning på mindst 10 kg på (f.eks. ved at trække ned i begge stropper). Læg mærke til hastighedsreduktionen (30 mm/sek.) og ændringen i motorlyden.
3. Hvis der ikke er nogen hastighedsreduktion, skal du udskifte den dobbelte hastighedskontakt. Se kapitel 6.10 *Udskiftning af den dobbelte hastighedskontakt*, side 36.

## 7.5 Registrering af spændings aflæsninger

Registrering af fremføringsspænding	
Registrer printpladen til batteriets fremføringsspænding. Forventet resultat: 23 til 29 V	
Registrer fremføringsspænding for hovedkontakten (to midterste stifter) Forventet resultat: 23 til 29 V	
Registrer fremføringsspænding til løftemotorens motor, mens du trykker på OP- eller NED-knappen på håndbetjeningen. Forventet resultat: 23 til 29 V	
Registrer printpladen til fremføringsspænding til løftemotoren. (kun Robin® Mover) Forventet resultat: 23 til 29 V	

<p><b>Registrering af fremføringsspænding</b></p>	
<p>Registrer fremføringsspænding til kobberringene, mens du trykker på VENSTRE- eller HØJRE-knappen på håndbetjeningen. (kun Robin® Mover)</p> <p>Forventet resultat: 23 til 29 V</p>	
<p>Registrer printpladen til fremføringsspænding til kørevognen, mens du trykker på VENSTRE- eller HØJRE-knappen på håndbetjeningen. (kun Robin® Mover)</p> <p>Forventet resultat: 23 til 29 V</p>	

<p><b>Registrering af fremføringsspænding</b></p>	
<p>Registrer fremføringsspænding til kørevognens motor, mens du trykker på VENSTRE- eller HØJRE-knappen på håndbetjeningen. (kun Robin® Mover)</p> <p>Forventet resultat: 23 til 29 V</p>	
<p>Registrer fremføringsspænding til solenoiden, mens du trykker på VENSTRE- eller HØJRE-knappen på håndbetjeningen. (kun Robin® Mover)</p> <p>Forventet resultat: 23 til 29 V</p>	



## 8 Tekniske Data

### 8.1 Skinnesystemet

Alle skinneprofiler er fremstillet i presset aluminium.

Skinneerne fås med hvid pulverlakering.

Skinneerne fås i tre forskellige højder: S= 68 mm, M=114 mm og L=183 mm, hvilket giver en rækkevidde på hhv. 2 m, 4 m og 8 m.

Profilbredden for alle tre profiler er 58 mm. Toppen af profilerne er formet med henblik på at sikre, at skinnerne kan kobles til installationsbeslagene.

Ved levering har skinnen til løftmotoren en fræset rille i bunden. Denne rille bruges til at installere løftmotoren og kaldes et nøglehul.

#### Mulige installationer

**Enkeltskinne** kan monteres i loftet eller på væggen og gulvet. Skinnens placering i lokalet kan enten være parallel med en væg eller i en vinkel i forhold til en væg.

**Køresystemet** kan monteres i loftet eller på væggen og gulvet. Frigangen mellem de to parallelle skinner kan være op til 8000 mm.

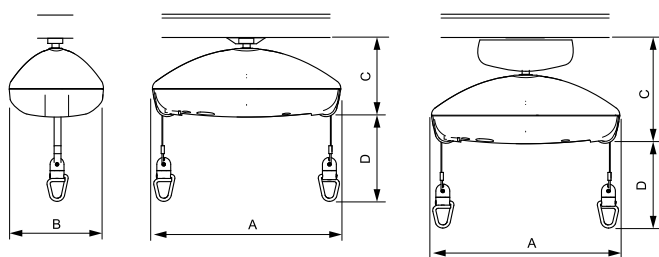
**Kurver** kan fås i S-profilen og kan monteres i loftet. De fås med vinklerne 30°, 45°, 60° og 90°.

#### Specialløsninger

**Installation med ophængsbeslag** bruges i følgende tilfælde: Når loftets højde varierer i skinnens længderetning, eller når skinnen skal forsænkes.

**Vinkelinstallation** bruges, når skinnen skal installeres i andre vinkler end 90°.

### 8.2 Mål og vægt




#### Mål

	Robin®	Robin® Mover
løftmotorens længde (A)	470 mm	470 mm
løftmotorens bredde (B)	250 mm	250 mm
løftmotorens højde (C)	203 mm	266 mm
Maks. løfteområde (D)	2,5 m	2,5 m

#### Vægt

	Robin®	Robin® Mover
Maks. løftekapacitet (sikker arbejdsbelastning)	200 kg	200 kg
Samlet vægt uden sejl	7,3 kg	10 kg

### 8.3 Elektrisk system

	Robin®	Robin® Mover
Maks. indgangsstrøm	0,9 A	
Beskyttelsesklasse <sup>1</sup>	Hele apparatet: IPx4 (løftemotor: IP24; håndbetjening: IP44)	
Isoleringsklasse	Klasse II-udstyr	
	Anvendt del af type B Den anvendte del overholder de angivne krav om beskyttelse mod elektrisk stød iht. IEC60601-1.	
Lydstyrke	50-55 dB (A)	
Antal løft pr. opladning	65 løft på 0,5 m med 80 kg	
Intermitterende (periodisk motordrift)	10 %, maks. 2 min. / 18 min.	
Batteri	NiMH-batteri 24 V / 1,9 Ah	
Opladningstid	Op til 3 timer ved 20 °C	
Løftehastighed med 200 kg vægt	2,1 cm/s	2,1 cm/s
Kørehastighed på skinnerne	Ikke relevant	14 cm/s

#### Oplader

Spændingsudgang	Ladekabel 25-36 V jævnstrøm Maks. belastning: 41 V jævnstrøm
Strømforsyning	100-240 V vekselstrøm, 50-60 Hz
Beskyttelsesklasse <sup>1</sup>	IP41 eller IP67 (afhængigt af versionen)

<sup>1</sup> Se den korrekte beskyttelsesklasse på produktmærkaten og på mærkaten på det elektriske udstyr. Den laveste IP-klassificering bestemmer apparatets samlede klassificering.

- IPx4: Beskyttet mod vandstænk fra alle retninger.
- IP24: Beskyttet mod genstande, der er større end 12,5 mm, og beskyttet mod vandstænk fra alle retninger.
- IP44: Beskyttet mod genstande, der er større end 1 mm, og beskyttet mod vandstænk fra alle retninger.
- IP41: Beskyttet mod genstande, der er større end 1 mm, og beskyttet mod lodret dryppende vand.
- IP67: Støvtæt og beskyttet mod midlertidig nedsænkning i vand.

### 8.4 Miljøforhold

	Opbevaring og transport	Betjening
Temperatur	-30 °C til +50 °C	+5 °C til +40 °C
Relativ luftfugtighed	10 % til 70 %	20 % til 90 % ved 30 °C, ikke kondenserende
Atmosfærisk tryk	700 hPa til 1060 hPa	



Lad produktet køle af til driftstemperatur før brug:

- Det kan tage op til 24 timer at opvarme fra minimal opbevaringstemperatur.
- Det kan tage op til 24 timer at køle ned fra maksimal opbevaringstemperatur.

---

# Sommaire

---

REVENDEUR : conservez ce manuel. Les procédures figurant dans ce manuel DOIVENT être exécutées par un technicien qualifié.

<b>1 Généralités</b>	<b>44</b>
1.1 Introduction	44
1.1.1 Symboles figurant dans ce manuel	44
<b>2 Sécurité</b>	<b>45</b>
2.1 Informations de sécurité générales	45
2.2 Pièces principales du lève-personne sur rail	45
<b>3 Réglages (Mise en service)</b>	<b>46</b>
3.1 Installation du lève-personne sur rail sur le système de rails	46
3.1.1 Installation du lève-personne Robin®	46
3.1.2 Installation du lève-personne Robin® Mover	46
<b>4 Maintenance</b>	<b>48</b>
4.1 Chargement de la batterie	48
4.2 Maintenance de la batterie	48
4.2.1 Caractéristiques du stockage	48
4.2.2 Température de stockage	49
4.2.3 Durée de stockage	49
4.2.4 Humidité en stockage	49
4.2.5 Récupération de la capacité	49
<b>5 Entretien</b>	<b>50</b>
5.1 Intervalle entre les révisions	50
5.2 Couples de serrage	50
5.3 Liste d'inspections d'entretien	51
<b>6 Instructions</b>	<b>52</b>
6.1 Démontage du lève-personne sur rail	52
6.1.1 Démontage du lève-personne Robin®	52
6.1.2 Démontage du lève-personne Robin® Mover	52
6.2 Remplacement de la télécommande	53
6.3 Démontage du capot du lève-personne	53
6.4 Remplacement des ensembles sangles de levage / crochets	53
6.5 Remplacement de la batterie	54
6.6 Remplacement du circuit imprimé (PCB)	54
6.7 Remplacement du fusible	55
6.8 Réglage de la bobine solénoïde jusqu'au transfert du lève-personne	55
6.9 Réglage du dispositif de sangle desserrée	55
6.10 Remplacement du sélecteur double vitesse	56
6.11 Remplacement du disque de contact du Robin® Mover	57
<b>7 Dépannage</b>	<b>58</b>
7.1 Tableau de dépannage	58
7.2 Témoin lumineux et signal sonore	59
7.3 Contrôle de la fonction de sangle desserrée	59
7.4 Vérification de la fonctionnalité de double vitesse	59
7.5 Prise des mesures de tension	60
<b>8 Caractéristiques Techniques</b>	<b>61</b>
8.1 Système de rails	61
8.2 Dimensions et poids	61
8.3 Système électrique	61
8.4 Conditions ambiantes	62

# 1 Généralités

## 1.1 Introduction

Le présent manuel fournit des informations importantes relatives au montage, au réglage et à la maintenance approfondie du produit. Pour garantir une utilisation en toute sécurité du produit, lisez attentivement le manuel et respectez les instructions de sécurité.

Consultez le manuel d'utilisation sur le site Web d'Invacare ou contactez un représentant Invacare. Reportez-vous aux adresses indiquées à la fin du présent manuel.

Invacare se réserve le droit de modifier les caractéristiques des produits sans préavis.

Avant de lire ce manuel, assurez-vous de disposer de la version la plus récente. Cette version est disponible au format PDF sur le site Internet d'Invacare.

Consultez le manuel d'utilisation pour plus d'informations et avant tout achat.

Pour obtenir plus d'informations sur le produit, comme les avis de sécurité ou les rappels du produit, contactez votre représentant Invacare local. Reportez-vous aux adresses indiquées à la fin du présent document.

### 1.1.1 Symboles figurant dans ce manuel

Les symboles et mots d'avertissement utilisés dans le présent manuel s'appliquent aux risques ou aux pratiques dangereuses qui pourraient provoquer des blessures ou des dommages matériels. Reportez-vous aux informations ci-dessous pour la définition des symboles d'avertissement.



#### AVERTISSEMENT

Indique une situation dangereuse qui, si elle n'est pas évitée, est susceptible de provoquer des blessures graves, voire mortelles.



#### ATTENTION

Indique une situation dangereuse qui, si elle n'est pas évitée, est susceptible de provoquer des blessures mineures ou légères.



#### IMPORTANT

Indique une situation dangereuse qui, si elle n'est pas évitée, est susceptible de provoquer des dommages matériels.



#### Conseils et recommandations

Donne des conseils, recommandations et informations utiles pour une utilisation efficace et sans souci.

## 2 Sécurité

### 2.1 Informations de sécurité générales



#### AVERTISSEMENT !

##### Risque de blessures ou de dommage matériel

- Les procédures décrites dans le présent manuel ne doivent être réalisées que par un technicien qualifié.
- Utilisez uniquement des accessoires et pièces de rechange d'origine.
- Ne manipulez pas ce produit ni aucun autre équipement disponible en option sans avoir lu et compris complètement ces instructions et toute autre documentation d'instructions supplémentaire, telle que les manuels d'utilisation, les manuels d'installation ou les fiches d'instructions fournis avec ce produit ou l'équipement en option.
- Après chaque montage, vérifiez que tous les raccords sont bien serrés et que toutes les pièces fonctionnent correctement.



#### AVERTISSEMENT !

##### Risque de contamination

- Nettoyez et désinfectez le produit avant de procéder à la maintenance.



#### IMPORTANT !

Il se peut que le montage des accessoires ne soit pas décrit dans le présent manuel de maintenance. Reportez-vous au manuel fourni avec l'accessoire.

- Des manuels supplémentaires peuvent être commandés chez Invacare. Reportez-vous aux adresses indiquées à la fin du présent document.



#### IMPORTANT !

Certaines pièces de rechange sont exclusivement disponibles sous forme de kit. Utilisez toujours le nouveau kit complet lors du remplacement d'une pièce.

- Des pièces de rechange peuvent être commandées chez Invacare. Reportez-vous au site Internet Invacare de votre pays pour accéder au catalogue électronique des pièces de rechange.



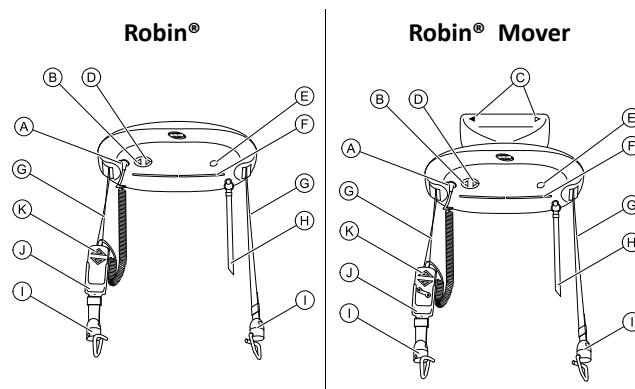
#### IMPORTANT !

- Consultez le manuel d'utilisation de ce produit pour plus d'informations sur
- Caractéristiques techniques
  - Composants du produit
  - Étiquettes
  - Instructions de sécurité complémentaires
  - Instructions de nettoyage et désinfection



Les informations contenues dans ce document peuvent être modifiées sans préavis.

### 2.2 Pièces principales du lève-personne sur rail




Ⓐ	Connecteur pour télécommande
Ⓑ	Bouton de commande HAUT
Ⓒ	Flèches directionnelles sur le Robin® Mover
Ⓓ	Bouton de commande BAS
Ⓔ	Connecteur pour batterie de secours externe
Ⓕ	Témoin lumineux
Ⓖ	Sangles de levage
Ⓗ	Cordon d'urgence rouge
Ⓘ	Crochets de suspension
Ⓙ	Support de rangement pour télécommande (accessoire)
Ⓚ	Télécommande

## 3 Réglages (Mise en service)


### 3.1 Installation du lève-personne sur rail sur le système de rails

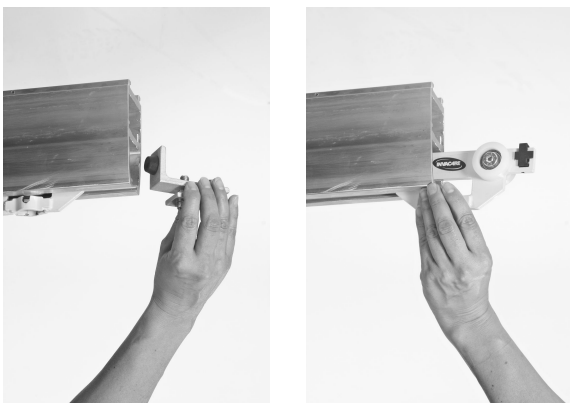
Le lève-personne Robin® exige un chariot qui le guide dans le système de rails. Le lève-personne Robin® Mover est équipé d'un chariot intégré et peut par conséquent être directement installé sur le système de rails.

#### 3.1.1 Installation du lève-personne Robin®


 Outils : clé Allen de 4 mm/clé à douille de 17 mm

1. Pour installer le chariot, retirez la butée de fin de course fixée au système de rails.

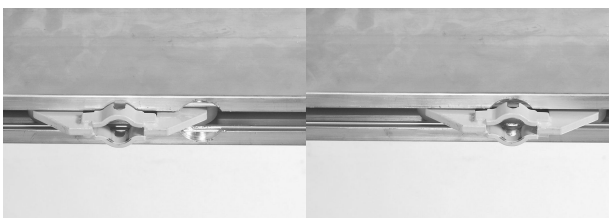
 Dans certains pays/certaines régions, une double fixation est exigée pour les butées de fin de course. Si une vis de fixation supplémentaire est installée, retirez d'abord cette vis.



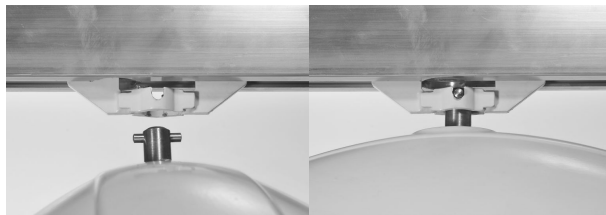
2. Insérez le chariot dans le rail (le sens importe peu, dans la mesure où le chariot est symétrique).
3. Réinsérez la butée de fin de course.

 Dans certains pays/certaines régions, une double fixation est exigée pour les butées de fin de course. Si une vis de fixation supplémentaire est nécessaire, installez d'abord cette vis. Reportez-vous également à la section *Butée de fin de course*.


4. Placez le chariot du lève-personne niveau de la cavité ronde de 32 mm de diamètre sur le rail.

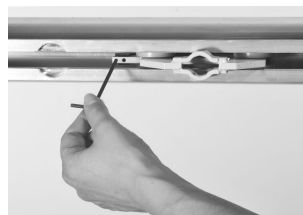


5. Soulevez le lève-personne et poussez la broche de suspension à travers l'ouverture du chariot.




6. Faites pivoter le lève-personne de 90 degrés pour le fixer dans le chariot.
7. Connectez la télécommande.
8. Réglez la longueur du cordon d'abaissement/arrêt d'urgence pour qu'il soit à la portée de l'utilisateur.

 En cas de résistance excessive, ou si le chariot roule de façon intempestive du fait d'un déséquilibre des suspensions du rail, ajustez le frein à friction avec une clé Allen de 4 mm.



#### 3.1.2 Installation du lève-personne Robin® Mover


Le chariot est intégré au lève-personne et sa pré-installation dans le rail est par conséquent inutile.

 Outils : clé Allen de 4 mm/clé à douille de 17 mm

1. Retirez la butée de fin de course.



2. Insérez les roulettes du lève-personne dans le rail.

 L'orientation du lève-personne n'a aucune importance pour l'installation.

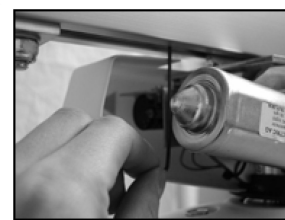


3. Installez la butée de fin de course.



Serrez le boulon à 30 Nm.

4. Si la résistance est trop forte lorsque vous tirez le lève-personne ou si celui-ci se déplace de façon inopinée, réglez le frein à friction.




5. Connectez la télécommande.  
6. Réglez la longueur du cordon d'abaissement/arrêt d'urgence pour qu'il soit à la portée de l'utilisateur.


## 4 Maintenance

### 4.1 Chargement de la batterie

Dès que le niveau de charge diminue, un signal sonore est émis et le témoin lumineux clignote dans la partie inférieure du lève-personne sur rail (reportez-vous également à la section 7.2 *Témoin lumineux et signal sonore*, page 59). Dans cette situation, la charge restante est généralement suffisante pour abaisser le patient.

 Il n'est pas possible d'utiliser le lève-personne lorsque la batterie est en charge.

- Terminez l'opération de levage en cours. Si celle-ci décharge complètement la batterie, une batterie de secours externe peut être utilisée pour alimenter provisoirement le lève-personne. Reportez-vous à la section *Utilisation de la batterie de secours externe*.
- Installez le lève-personne sur rail dans la station de charge.
- Vérifiez que la télécommande et la station de charge sont propres et sèches avant de commencer à recharger la télécommande.
- Placez la télécommande dans la station de charge. Un témoin lumineux jaune sur le chargeur indique que la télécommande est connectée. Le témoin lumineux s'allume en rouge pendant la charge.
- Lorsque la batterie est complètement chargée, le témoin lumineux du chargeur devient vert. Tant que le lève-personne sur rail n'est pas utilisé, laissez la télécommande dans la station de charge.
- Pour utiliser le lève-personne sur rail, retirez la télécommande du chargeur.

 Veillez à ce que les batteries soient toujours chargées pour préserver le bon fonctionnement du lève-personne tout en augmentant la durée de vie de la batterie.

Si un signal sonore est émis et si le témoin lumineux bleu clignote sur le lève-personne alors qu'il a été complètement chargé et utilisé sur une courte durée seulement, il se peut que la batterie doive être sollicitée ou remplacée. Reportez-vous à la section 4.2 *Maintenance de la batterie*, page 48.

Si le lève-personne sur rail ne doit pas être utilisé pendant une période supérieure à 4 semaines, Invacare recommande de débrancher le chargeur et de tirer l'arrêt d'urgence.

Le chargeur est branché au secteur au moyen d'une fiche secteur. Vérifiez que la fiche secteur est accessible et qu'elle peut être débranchée, au besoin.

### 4.2 Maintenance de la batterie

Si un signal sonore est émis et si le témoin lumineux bleu clignote sur le lève-personne alors qu'il a été complètement chargé et utilisé sur une courte durée seulement, il se peut que la batterie ait besoin d'être sollicitée.

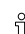
Pour que la batterie puisse être complètement chargée, il convient de la solliciter régulièrement.

C'est également nécessaire suite à une période de stockage prolongée.

Il est également conseillé de solliciter la batterie en cas d'utilisations peu fréquentes du lève-personne, et/ou si la télécommande reste dans le chargeur pendant des périodes prolongées. Dans cette situation, la charge restante est suffisante pour effectuer quelques levages, mais il est recommandé de solliciter la batterie dès que possible par la suite.

Pour ce faire, il suffit de charger et de décharger complètement le lève-personne à plusieurs reprises.

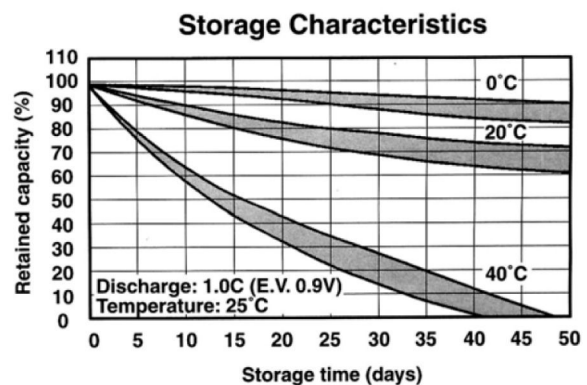
- Chargez la batterie jusqu'à ce que le témoin devienne vert.
- Retirez la télécommande du chargeur.
- Levez puis abaissez les sangles avec une charge pendant une minute.
- Attendez dix minutes.
- Répétez les étapes 3 et 4 jusqu'à ce que la batterie soit complètement déchargée.

 Continuez la procédure après l'émission du signal sonore et le clignotement du témoin bleu, qui indiquent que la batterie est déchargée.

- Répétez les étapes 1 à 5 de deux à trois fois.

#### 4.2.1 Caractéristiques du stockage

Toutes les batteries rechargeables se déchargent progressivement avec le temps, qu'elles soient utilisées ou pas. Cette perte de capacité est généralement imputable à des réactions parasites lentes qui se produisent dans l'accumulateur. Le taux de perte (taux d'auto-décharge) dépend de la chimie de l'accumulateur et de la température ambiante subie par l'accumulateur. Compte tenu de la sensibilité à la température de la réaction d'auto-décharge, des différences relativement faibles de la température de stockage peuvent entraîner des décharges importantes dont l'inversion s'avère difficile voire impossible. Pour la plupart des concepteurs d'applications, les problèmes les plus préoccupants concernant le stockage des accumulateurs et des batteries sont liés à la vitesse à laquelle les accumulateurs se déchargent après avoir été chargés ou à leur capacité à se charger et décharger « normalement » après une période de stockage. Dans les deux cas, les consignes générales établies pour les accumulateurs au nickel-cadmium s'appliquent également aux accumulateurs au nickel-hydrure métallique.





### 4.2.2 Température de stockage

Comme déjà indiqué, la réaction d'auto-décharge augmente parallèlement à l'élévation de la température. Un stockage prolongé des batteries entraîne une accélération de la détérioration des matériaux et des fuites, ce qui réduit la durée de vie de la batterie. Dans le cas d'un stockage prolongé, il est recommandé de conserver les batteries à température ambiante ou inférieure (de 0 à 30 °C).

### 4.2.3 Durée de stockage

Dans la mesure où la batterie perd de l'énergie pendant le stockage, la tension diminue également. En règle générale, il suffit de recharger la batterie pour récupérer la capacité perdue suite à une auto-décharge pendant le stockage. Si la batterie est stockée pendant plus de six mois, il est conseillé de la soumettre à plusieurs cycles de charge pour la recharger complètement. Adoptez de bonnes pratiques de gestion du stock (premier entré, premier sorti) afin de réduire les temps de stockage des batteries.

### 4.2.4 Humidité en stockage

Les fuites et la rouille des pièces métalliques sont accélérées dans les environnements très humides, notamment en présence de températures élevées. Le stockage dans des environnements présentant une forte humidité et des températures élevées n'est pas recommandé.

### 4.2.5 Récupération de la capacité

En règle générale, les accumulateurs stockés retrouvent leur pleine capacité à la première décharge lorsqu'ils sont rechargés au moyen de méthodes standard lors de la remise en service. Les accumulateurs stockés sur une période prolongée ou à des températures élevées peuvent nécessiter plusieurs cycles pour retrouver leurs capacités avant stockage. Il est recommandé de consulter le fabricant si une restauration rapide est nécessaire après une période de stockage prolongée.

## 5 Entretien

### 5.1 Intervalle entre les révisions

Sauf obligations locales contraires, l'entretien doit être effectué au moins tous les 12 mois et selon la liste d'inspection. Lors de l'entretien annuel ou de routine, toutes les pièces conçues pour supporter des charges doivent être au minimum testées avec la charge maximale. Toutes les fonctions de sécurité doivent être contrôlées conformément à la norme ISO 10535:2006 Annexe B.

Afin d'éviter toute détérioration du produit, la fréquence d'inspection doit être augmentée si le produit est continuellement exposé à une humidité élevée, à une forte condensation et à des produits corrosifs (gaz de chlore ou d'ammoniac, par exemple).

### 5.2 Couples de serrage



#### IMPORTANT

Ne serrez pas excessivement le matériel de fixation car cela risquerait d'endommager le produit.

Sauf indication contraire dans les instructions spécifiques, les directives suivantes s'appliquent :

Filet	Couple de serrage en Nm $\pm$ 10 %
M4	3 Nm
M5	6 Nm
M6	10 Nm
M8	25 Nm
M10	49 Nm
M12	80 Nm
M16	180 Nm

## 5.3 Liste d'inspections d'entretien

### Système de rails

- Vérifiez que tous les supports sont correctement fixés au plafond/mur. Resserrez-les, si nécessaire.
- Vérifiez le renforcement. Si cette vérification n'est pas possible, effectuez un test de charge en multipliant la charge nominale par 1,5 pendant 20 minutes.
- Vérifiez et resserrez les butées de fin de course.
- Systèmes avec raccords de rail : assurez-vous qu'aucun défaut d'alignement ne s'est produit en cours d'utilisation. Réalignez les raccords, si nécessaire.
- Contrôlez le chariot et le chariot de traverse.
- Assurez-vous que les roues du chariot se déplacent facilement et sans bruit inhabituel.
- Vérifiez le réglage du frein à friction sur les chariots. Réglez-le, si nécessaire.
- Effectuez un test de charge avec une charge nominale sur l'ensemble du système.
- Apposez un autocollant mentionnant la date de la prochaine inspection.

### Système de rails avec raccords de transit :

- Vérifiez les dispositifs de verrouillage :
  - fixation correcte aux rails
  - chaque pince se déplacement indépendamment
  - alignement correct sur les fentes du système de rails
  - absence d'obstructions au bon fonctionnement
  - plaque de sécurité installée.
- Contrôlez les dispositifs de montage du chariot de traverse.
- Vérifiez l'alignement des rails. Réalignez-les, si nécessaire.
- Testez le fonctionnement du raccord de transit/dispositif de verrouillage (10 fois – désactivez la pince gauche/droite x 5).
- Assurez-vous que l'écartement entre le rail et le raccord de transit est de 3 mm au maximum.
- Essai de fonctionnement en charge (5 cycles avec la charge maximale d'utilisation).
- Vérifiez que la plaque intégrée est installée (rail L et M).

### Lève-personne sur rail

- Contrôlez la broche de suspension et la broche transversale.
- Assurez-vous que les engrenages acier et plastique ne sont ni usés, ni endommagés. Si les engrenages sont secs, appliquez de la graisse à engrenages.
- Contrôlez le capteur de sangles à boucles et procédez à des réglages si nécessaire.
- Assurez-vous que les sangles ne sont pas abîmées ni usées.
- Vérifiez le cylindre de guidage et les butées de fin de course.
- Assurez-vous que les crochets, vis et broches de levage ne sont pas usés ou endommagés.
- Assurez-vous qu'un autocollant stipulant la charge maximale a été apposé sur le lève-personne.
- Effectuez un cycle de levage complet à charge nominale – il doit se dérouler sans effort et sans bruit parasite.
- Apposez un autocollant mentionnant la date de la prochaine inspection.

### Branchements électriques

- Assurez-vous que tous les câbles sont intacts.
- Assurez-vous de l'absence de rupture au niveau des câbles et de l'isolation.
- Contrôlez le serrage des microrupteurs et leur fonction mécanique.
- Vérifiez que le chargeur n'est pas endommagé et qu'il fonctionne correctement.
- Vérifiez que la télécommande n'est pas endommagée et qu'elle fonctionne correctement. Assurez-vous que la télécommande est bien raccordée.
- Vérifiez la fonction d'arrêt d'urgence.
- Vérifiez la fonction d'abaissement d'urgence.

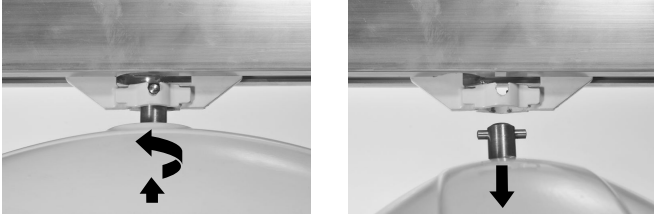
Numéro de série :	
Date d'inspection :	
Inspection par :	
Commentaires :	

## 6 Instructions

### 6.1 Démontage du lève-personne sur rail

#### 6.1.1 Démontage du lève-personne Robin®

Retirez le lève-personne sur rail du chariot.



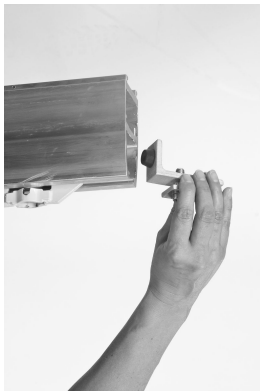
1. Soulevez légèrement le lève-personne et appuyez sur la broche de suspension pour la faire sortir de son support dans le chariot.
2. Faites pivoter le lève-personne de 90 degrés et retirez-le du chariot.

Retirez le chariot du rail.

1. Retirez la butée de fin de course.
2. Faites glisser le chariot à l'extérieur du rail.

#### 6.1.2 Démontage du lève-personne Robin® Mover


1. Tirez sur le cordon d'urgence afin de prévenir toute activation accidentelle du lève-personne sur rail après son démontage du rail.
2. Retirez la butée de fin de course.



3. Faites glisser les roulettes du lève-personne hors du rail.




4. Installez la butée de fin de course.

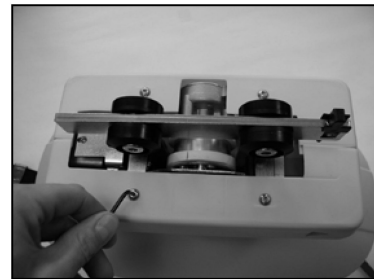
 Serrez le boulon à 30 Nm.



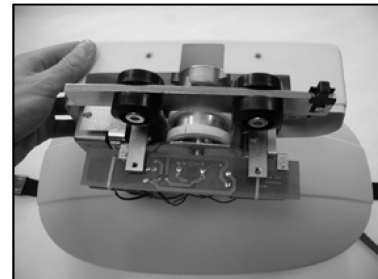
5. Si vous démontez le lève-personne du moteur du rail, procédez comme suit :

 Lors du remplacement de la batterie ou d'une opération d'entretien, il est également indispensable de retirer le lève-personne du moteur du rail.

- a. Retirez les vis de fixation des coques en plastique du moteur du rail.



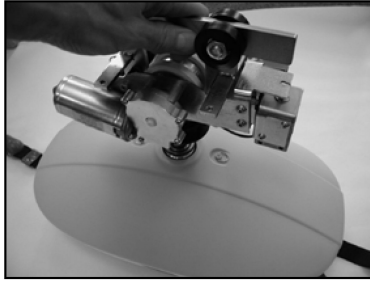
- b. Éloignez les coques en plastique l'une de l'autre pour les retirer du moteur du rail.



- c. Retirez la vis M6 qui fixe le moteur du rail au lève-personne.



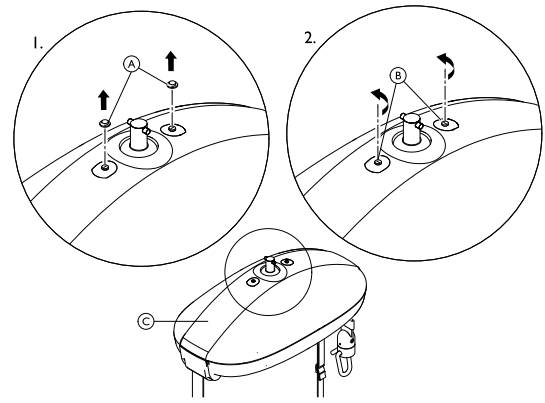
- d. Séparez le moteur du rail du lève-personne.



**ATTENTION !**  
**Risque de dommage matériel**

Il est possible de retirer le lève-personne du moteur du rail sans retirer le moteur du système de rails. Pour éviter d'endommager le lève-personne :

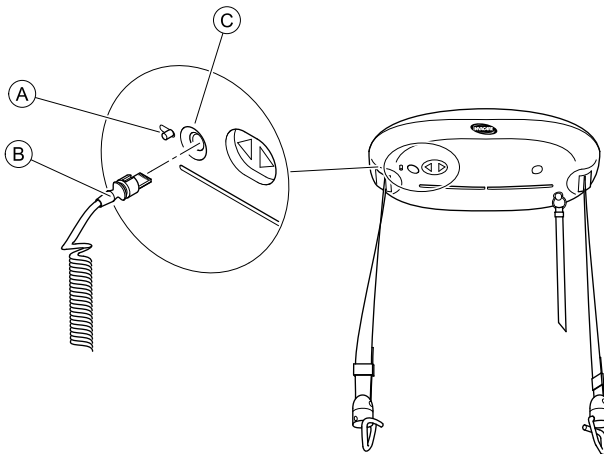
- Soutenez toujours le lève-personne lors du retrait de la vis M6.



1. Retirez les embouts de protection (A). Faites-le manuellement ou délicatement à l'aide d'un tournevis, si nécessaire.
2. Desserrez les vis (B) à l'aide d'un tournevis.
3. Retirez le capot (C) du lève-personne.

Pour fermer le capot du lève-personne, serrez les vis et remettez les embouts de protection en place.

## 6.2 Remplacement de la télécommande



1. Faites glisser le levier de verrouillage (A) et tout en le maintenant, éloignez-le de l'ouverture (C).
2. Ressortez la fiche (B) de l'ouverture.
3. Insérez la fiche de la nouvelle télécommande dans l'ouverture. Vérifiez que la fiche est correctement orientée, fente vers le haut (voir l'image).
4. Relâchez le levier (A), de façon à ce que le cran se referme et maintienne la fiche dans l'ouverture.

## 6.3 Démontage du capot du lève-personne

Avant de démonter le capot du lève-personne, tirez sur le cordon d'arrêt d'urgence rouge pour mettre le lève-personne hors tension et le retirer du système de rails. Reportez-vous à la section :

- 6.1 Démontage du lève-personne sur rail, page 52



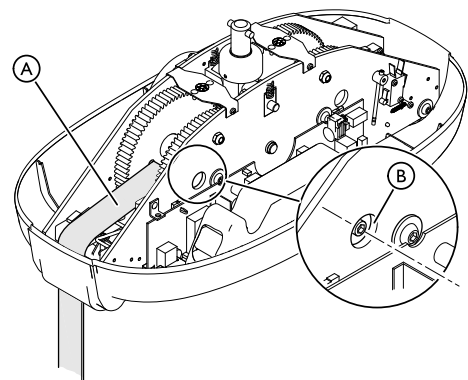
Outils : tournevis pour écrous à fente

## 6.4 Remplacement des ensembles sangles de levage / crochets



Outils : clé à douille de 10 mm ; clé hexagonale/Allen de 5 mm

1. Le lève-personne sur rail étant dans le rail, abaissez les sangles le plus bas possible au moyen de la télécommande.
2. Tirez sur le cordon d'urgence rouge pour effectuer un arrêt d'urgence. Ne procédez à aucun abaissement d'urgence.
3. Retirez le lève-personne du rail. Reportez-vous à la section 6.1 Démontage du lève-personne sur rail, page 52.
4. Retirez le capot. Reportez-vous à la section 6.3 Démontage du capot du lève-personne, page 53.
5. Réinitialisez l'arrêt d'urgence en appuyant sur le bouton de réinitialisation.
6. Vérifiez que la sangle (A) est complètement déroulée comme indiqué dans l'illustration. Dans le cas contraire, déroulez-la au moyen du bouton HAUT/BAS de la télécommande.
7. Alignez les boulons de fixation de la sangle (B) sur l'ouverture du châssis au moyen du bouton HAUT/BAS de la télécommande.



8. Tirez à nouveau sur le cordon d'urgence rouge.
9. Retirez les boulons de la sangle, à l'aide d'une clé à douille de 10 mm et d'une clé hexagonale/Allen de 5 mm.
10. Retirez la sangle à travers le cylindre de guidage.

11. Insérez une nouvelle sangle dans le cylindre de guidage et fixez-la au moyen des boulons de fixation de la sangle (couple : 4 Nm). Assurez-vous que la nouvelle sangle recouvre le câble de sangle détendu.
12. Réinstallez le capot, remontez le lève-personne sur le rail et réinitialisez l'arrêt d'urgence.

## 6.5 Remplacement de la batterie

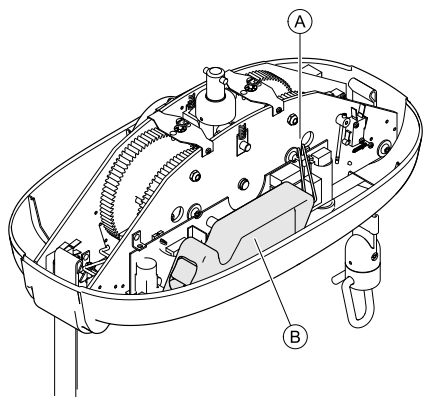


### ATTENTION !

L'électricité statique risque d'endommager les circuits imprimés (PCB) à l'intérieur du lève-personne.

Avant toute intervention à l'intérieur du lève-personne :

- Tirez sur le cordon d'urgence rouge pour mettre le lève-personne hors tension.
- Retirez le lève-personne du système de rails (reportez-vous à la section 6.1 *Démontage du lève-personne sur rail*, page 52).
- Retirez le capot du lève-personne (reportez-vous à la section 6.3 *Démontage du capot du lève-personne*, page 53).
- Un tapis antistatique doit être utilisé en cas d'intervention sur les composants internes du lève-personne sur rail.



1. Débranchez les câbles (A).
2. Retirez le bloc batterie (B).
3. Insérez un nouveau bloc batterie.
  - Utilisez exclusivement des batteries recommandées par Invacare.
4. Branchez les câbles (A).
5. Remontez le lève-personne et réinitialisez l'arrêt d'urgence.

## 6.6 Remplacement du circuit imprimé (PCB)

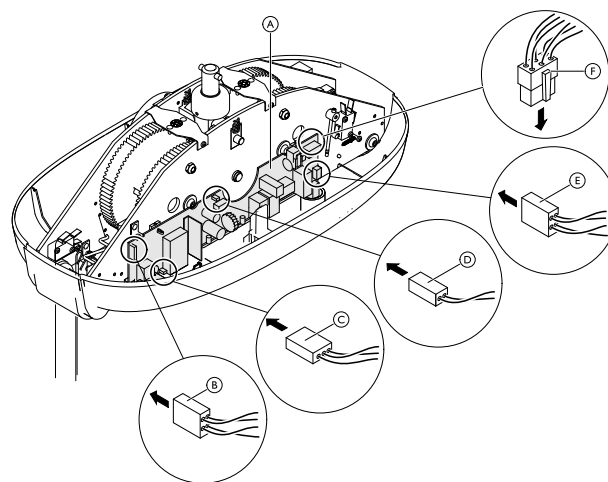


### ATTENTION !

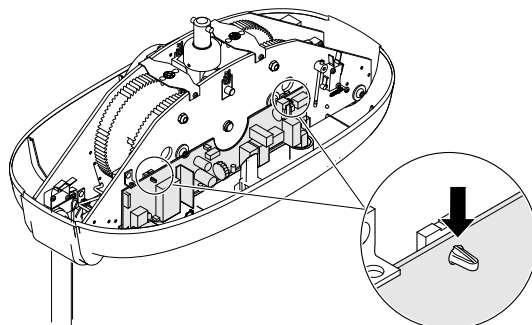
L'électricité statique risque d'endommager les circuits imprimés (PCB) à l'intérieur du lève-personne.

Avant toute intervention à l'intérieur du lève-personne :

- Tirez sur le cordon d'urgence rouge pour mettre le lève-personne hors tension.
- Retirez le lève-personne du système de rails (reportez-vous à la section 6.1 *Démontage du lève-personne sur rail*, page 52).
- Retirez le capot du lève-personne (reportez-vous à la section 6.3 *Démontage du capot du lève-personne*, page 53).
- Un tapis antistatique doit être utilisé en cas d'intervention sur les composants internes du lève-personne sur rail.



1. Retirez la batterie. Reportez-vous aux étapes 1 et 2 du chapitre 6.5 *Remplacement de la batterie*, page 54.
2. Retirez toutes les fiches (B, C, D, E et F) du circuit imprimé (PCB) (A).
3. Libérez le PCB (A) des supports de fixation en appuyant doucement sur les clips de fixation et en soulevant légèrement le circuit imprimé (PCB) pour l'éloigner de la plaque du châssis.



4. Soulevez le circuit imprimé (PCB) pour le retirer.
5. Placez le nouveau circuit imprimé (PCB) dans le châssis et appuyez légèrement contre la plaque du châssis jusqu'à ce que les supports de fixation se mettent en place avec un déclic.
6. Connectez les fiches (B, C, D, E et F) au nouveau circuit imprimé (PCB).
7. Réinsérez la batterie, remontez le lève-personne et réinitialisez l'arrêt d'urgence.

## 6.7 Remplacement du fusible



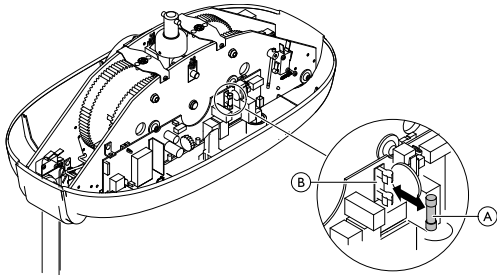
### ATTENTION !


L'électricité statique risque d'endommager les circuits imprimés (PCB) à l'intérieur du lève-personne.

Avant toute intervention à l'intérieur du lève-personne :

- Tirez sur le cordon d'urgence rouge pour mettre le lève-personne hors tension.
- Retirez le lève-personne du système de rails (reportez-vous à la section 6.1 Démontage du lève-personne sur rail, page 52).
- Retirez le capot du lève-personne (reportez-vous à la section 6.3 Démontage du capot du lève-personne, page 53).
- Un tapis antistatique doit être utilisé en cas d'intervention sur les composants internes du lève-personne sur rail.

1. Retirez la télécommande. Reportez-vous au chapitre 6.2 Remplacement de la télécommande, page 53
2. Retirez la batterie. Reportez-vous aux étapes 1 à 3 du chapitre 6.5 Remplacement de la batterie, page 54.
3. Retirez doucement le fusible **A** du support **B**.



4. Insérez un nouveau fusible.
  -  Veillez à utiliser exclusivement un fusible 10 A 250 V à action retardée.
5. Réinstallez la batterie, remontez le lève-personne, insérez la télécommande et réinitialisez l'arrêt d'urgence.

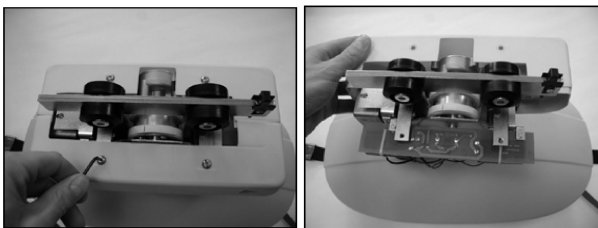
## 6.8 Réglage de la bobine solénoïde jusqu'au transfert du lève-personne

Robin® Mover uniquement.



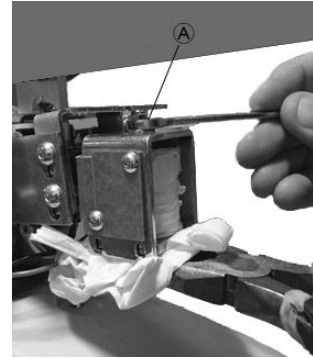
Clé Allen de 4 mm, clé de 7 mm

1. Tirez sur le cordon d'urgence rouge.
2. Le lève-personne sur rail étant toujours sur le rail, retirez les deux coques en plastique :



- a. Retirez les vis de fixation des coques en plastique du moteur du rail.
- b. Éloignez les coques en plastique l'une de l'autre pour les retirer du moteur du rail.

3. À l'aide d'un chiffon, protégez le plongeur du solénoïde tout en le serrant avec des pinces. À l'aide d'une clé de 7 mm, soulevez l'écrou **A** en le faisant tourner de deux tours complets dans le sens inverse des aiguilles d'une montre.



4. Effectuez un test en maintenant le lève-personne d'une main tout en appuyant sur le bouton Gauche ou Droite de la télécommande. Un bon contact doit être établi entre la roue motrice blanche et la face inférieure du rail. Si ce n'est pas le cas, répétez l'étape 3.
5. Remontez les coques en plastique. Veillez à les orienter correctement, avec un jeu suffisant pour que la plaque située au-dessus de la bobine solénoïde puisse monter et descendre librement. Reportez-vous aux illustrations de l'étape 2.

## 6.9 Réglage du dispositif de sangle desserrée



### ATTENTION !

L'électricité statique risque d'endommager les circuits imprimés (PCB) à l'intérieur du lève-personne.

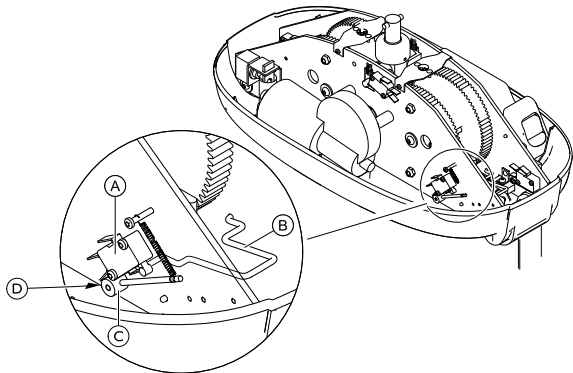
Avant toute intervention à l'intérieur du lève-personne :

- Tirez sur le cordon d'urgence rouge pour mettre le lève-personne hors tension.
- Retirez le lève-personne du système de rails (reportez-vous à la section 6.1 Démontage du lève-personne sur rail, page 52).
- Retirez le capot du lève-personne (reportez-vous à la section 6.3 Démontage du capot du lève-personne, page 53).
- Un tapis antistatique doit être utilisé en cas d'intervention sur les composants internes du lève-personne sur rail.

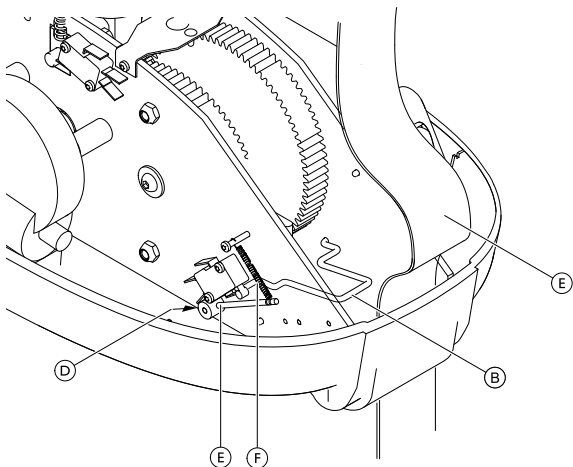


Clé Allen de 2 mm

1. Placez le lève-personne sur une surface (coin d'une table, par exemple) assurant son support tout en permettant aux sangles et à la télécommande de rester en suspension libre. Assurez-vous que le lève-personne est en sécurité et qu'il ne risque pas de glisser/tomber de la table.
2. Repérez le mécanisme de sangle desserrée<sup>(A)</sup> et assurez-vous visuellement qu'il y a un jeu entre la pince<sup>(C)</sup> et le châssis.



- a. Dans le cas contraire : tout en préservant la géométrie du câble de sangle détendu<sup>(B)</sup> et de la pince, desserrez la vis sans tête de la pince<sup>(D)</sup> à l'aide d'une clé Allen de 2 mm.
  - b. Créez un jeu entre la pince et le châssis.
  - c. Resserrez la vis sans tête de la pince.
3. Testez la fonction de sangle desserrée. Reportez-vous au chapitre 7.3 *Contrôle de la fonction de sangle desserrée*, page 59 Ce test peut être effectué avec le lève-personne sur la table.  
Si le problème est corrigé, remontez le lève-personne  
Dans le cas contraire, passez à l'étape 4.
  4. Réglez la tension du câble de sangle détendu :



- a. Desserrez la vis sans tête de la pince<sup>(D)</sup> à l'aide d'une clé Allen de 2 mm. Notez que le ressort<sup>(F)</sup> tire à présent la pince<sup>(C)</sup> contre le mécanisme : le circuit est donc ouvert.
- b. Soulevez la sangle<sup>(E)</sup> du câble de sangle détendu<sup>(B)</sup> et soulevez le câble.
- c. Resserrez la vis sans tête de la pince<sup>(D)</sup>.

5. Testez la fonction de sangle desserrée. Reportez-vous au chapitre 7.3 *Contrôle de la fonction de sangle desserrée*, page 59 Ce test peut être effectué avec le lève-personne sur la table.
6. Si l'erreur est corrigée, remontez le lève-personne et réinitialisez l'arrêt d'urgence.

## 6.10 Remplacement du sélecteur double vitesse



### ATTENTION !

L'électricité statique risque d'endommager les circuits imprimés (PCB) à l'intérieur du lève-personne.

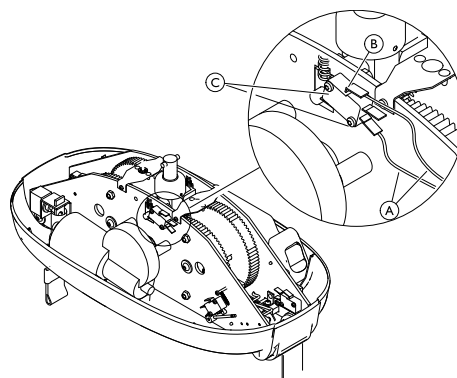
Avant toute intervention à l'intérieur du lève-personne :

- Tirez sur le cordon d'urgence rouge pour mettre le lève-personne hors tension.
- Retirez le lève-personne du système de rails (reportez-vous à la section 6.1 *Démontage du lève-personne sur rail*, page 52).
- Retirez le capot du lève-personne (reportez-vous à la section 6.3 *Démontage du capot du lève-personne*, page 53).
- Un tapis antistatique doit être utilisé en cas d'intervention sur les composants internes du lève-personne sur rail.



Tournevis Torx T10

1. Placez le lève-personne sur une surface (coin d'une table, par exemple) assurant son support tout en permettant aux sangles et à la télécommande de rester en suspension libre. Assurez-vous que le lève-personne est en sécurité et qu'il ne risque pas de glisser/tomber de la table.
2. Retirez les deux câbles jaunes<sup>(A)</sup> du sélecteur double vitesse<sup>(B)</sup>.



3. Retirez les deux vis<sup>(C)</sup>.
4. Fixez le nouveau sélecteur double vitesse à l'aide des vis<sup>(C)</sup>. Branchez les câbles jaunes<sup>(A)</sup>. Assurez-vous qu'ils sont connectés aux bornes inférieure et supérieure.
5. Remontez le lève-personne et réinitialisez l'arrêt d'urgence.



## 6.11 Remplacement du disque de contact du Robin® Mover



### ATTENTION !

L'électricité statique risque d'endommager les circuits imprimés (PCB) à l'intérieur du lève-personne.

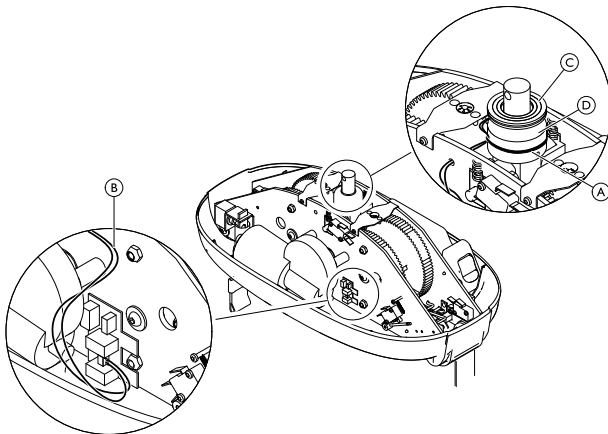
Avant toute intervention à l'intérieur du lève-personne :

- Tirez sur le cordon d'urgence rouge pour mettre le lève-personne hors tension.
- Retirez le lève-personne du système de rails (reportez-vous à la section 6.1 *Démontage du lève-personne sur rail*, page 52).
- Retirez le capot du lève-personne (reportez-vous à la section 6.3 *Démontage du capot du lève-personne*, page 53).
- Un tapis antistatique doit être utilisé en cas d'intervention sur les composants internes du lève-personne sur rail.

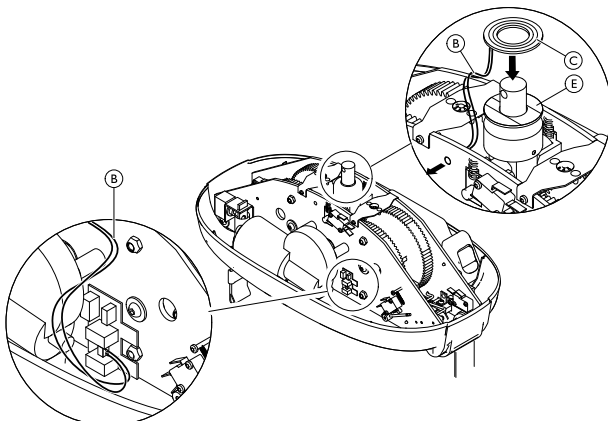


Tournevis

1. Retirez le serre-câbles (A).
2. Retirez les câbles du disque de contact (B) du circuit imprimé (PCB) du Robin® Mover au moyen d'un tournevis. Notez la partie supérieure marron et la partie inférieure bleue du câble. Passez les câbles à travers la plaque du châssis.



3. En prenant toutes les précautions nécessaires, séparez et retirez le disque de contact complet (C) de la base de suspension (D) en retirant le ruban autoadhésif.
4. Retirez les éventuels résidus de ruban autoadhésif.
5. Installez le nouveau ruban adhésif (E) et le nouveau disque de contact (C).



6. Faites passer les câbles (B) à travers la plaque du châssis et raccordez-les au circuit imprimé (PCB) du Robin® Mover.
7. Remontez le lève-personne et réinitialisez l'arrêt d'urgence.

## 7 Dépannage

### 7.1 Tableau de dépannage

SYMPTÔMES	PROBLÈME	SOLUTION
Le lève-personne sur rail ne réagit pas aux boutons de la télécommande et les boutons haut/bas du lève-personne ne répondent pas.	L'arrêt d'urgence est activé.	Réinitialisez l'arrêt d'urgence. Reportez-vous au manuel d'utilisation.
	Le système n'est pas alimenté ou la batterie est déchargée.	Chargez la batterie ou utilisez la batterie d'urgence. Reportez-vous à la section 4.1 <i>Chargement de la batterie</i> , page 48.
	Le fusible a sauté.	Remplacez le fusible. Reportez-vous à la section 6.7 <i>Remplacement du fusible</i> , page 55.
Le lève-personne sur rail ne réagit pas aux boutons de la télécommande, mais les boutons haut/bas du lève-personne répondent.	La télécommande n'est pas correctement connectée.	Vérifiez que le câble de la télécommande est correctement branché dans le lève-personne. Reportez-vous à la section 6.2 <i>Remplacement de la télécommande</i> , page 53.
	La télécommande est défectueuse.	Remplacez la télécommande. Reportez-vous à la section 6.2 <i>Remplacement de la télécommande</i> , page 53.
Les sangles de levage descendent mais ne montent pas.	La batterie est presque déchargée.	Chargez la batterie ou utilisez la batterie d'urgence. Reportez-vous à la section 4.1 <i>Chargement de la batterie</i> , page 48.
	La charge est trop élevée.	Réduisez la charge. Le lève-personne est équipé d'un système de sécurité contre les surintensités.
Les sangles de levage montent mais ne descendent pas.	La télécommande est défectueuse.	Remplacez la télécommande. Reportez-vous à la section 6.2 <i>Remplacement de la télécommande</i> , page 53.
	La fonction de sangle desserrée s'est activée.	Contrôlez fonction de sangle desserrée. Reportez-vous à la section 7.3 <i>Contrôle de la fonction de sangle desserrée</i> , page 59.
La vitesse du lève-personne sur rail reste identique avec et sans charge.	La fonction de mouvement rapide sans charge reste activée en permanence.	Vérifiez le commutateur de déplacement rapide. Reportez-vous à la section 7.4 <i>Vérification de la fonctionnalité de double vitesse</i> , page 59.
Les sangles de levage sont tordues et ne se redressent pas.	Les sangles de levage ne tournent pas assez librement.	Nettoyez les crochets ou remplacez les sangles.
	Les sangles sont effilochées.	Remplacez les sangles. Reportez-vous à la section 6.4 <i>Remplacement des ensembles sangles de levage / crochets</i> , page 53.
Le lève-personne sur rail ne se déplace pas latéralement sur les rails.	Une réparation ou un nettoyage des rails est nécessaire.	Inspectez le système de rails.
	Les roues motrices sont usées ou endommagées (Robin® Mover seulement).	Réglez les roues motrices.
	La télécommande est défectueuse.	Remplacez la télécommande.
Le lève-personne sur rail émet un bruit excessif lorsqu'il est activé.	Les roulements, les engrenages ou le moteur sont défectueux.	Remplacez le lève-personne.
Le lève-personne ne se charge pas.	Le système n'est pas alimenté.	Placez la télécommande dans la station de charge et rechargez le lève-personne sur rail.
		Vérifiez que le bloc d'alimentation est allumé et connecté à la station de charge.

SYMPTÔMES	PROBLÈME	SOLUTION
Absence de témoin lumineux sur le lève-personne.	Le système n'est pas alimenté ou la batterie est déchargée.	Vérifiez que le lève-personne sur rail est alimenté et que la batterie est rechargée.
		Vérifiez que le bloc d'alimentation est allumé et connecté à la station de charge.
		Placez la télécommande dans la station de charge et rechargez le lève-personne sur rail.
Le cordon d'urgence ne permet pas d'arrêter le lève-personne.	Le lève-personne doit être révisé.	Contactez un représentant Invacare pour réparation.
Le cordon d'urgence ne permet pas d'abaisser le lève-personne.	Le lève-personne doit être révisé.	Contactez un représentant Invacare pour réparation.



Si les problèmes persistent après application des solutions suggérées, contactez un représentant Invacare.

## 7.2 Témoin lumineux et signal sonore

### Lève-personne

État	Témoin lumineux	Signal sonore
Arrêt/Veille Déplacement latéral du lève-personne (Robin® Mover uniquement)	Éteint	Non
Lève-personne en cours d'utilisation (Haut/Bas)	Bleu	Non
Batterie faible	Bleu clignotant	Oui

Le témoin lumineux bleu situé sur la face inférieure du lève-personne s'éteint automatiquement au bout de 30 secondes.

### Chargeur mural

État	Témoin lumineux	Durée
Batterie non connectée	Jaune	s/o
Initialisation et analyse de la batterie	Jaune	12 à 14 secondes
Charge rapide	Rouge	5 min à 3 heures
Chargé (charge d'entretien)	Vert	s/o
Dysfonctionnement (défaut de la batterie)	Rouge et vert clignotant	s/o

## 7.3 Contrôle de la fonction de sangle desserrée






Un serrage correct garantit que les sangles cessent de descendre lorsqu'elles entrent en contact avec un obstacle.

1. Le lève-personne sur rail étant sur le rail, vérifiez l'absence d'obstruction en dessous des crochets de suspension.
2. Placez une obstruction en dessous d'un des crochets de suspension, puis appuyez sur le bouton de la télécommande.  
Résultat attendu : lorsque le crochet entre en contact avec l'obstacle, la sangle cesse de descendre.
3. Si la sangle ne s'arrête PAS de descendre, réglez le dispositif de sangle desserrée. Reportez-vous au chapitre 6.9 *Réglage du dispositif de sangle desserrée*, page 55
4. Répétez les étapes 2 et 3 pour la deuxième sangle.

## 7.4 Vérification de la fonctionnalité de double vitesse

1. Après avoir vérifié que le lève-personne est sur le rail et que les deux sangles ne sont pas entravées, appuyez sur le bouton Haut sans charge dans le lève-personne. Notez la vitesse (40 mm/s) et le bruit du moteur.
2. Tout en continuant d'appuyer sur le bouton Haut, appliquez une charge de 10 kg au moins (en tirant sur les deux sangles, par exemple). Notez la réduction de vitesse (30 mm/s) et le changement de bruit du moteur.
3. En l'absence de réduction de vitesse, remplacez le sélecteur double vitesse. Reportez-vous au chapitre 6.10 *Remplacement du sélecteur double vitesse*, page 56

## 7.5 Prise des mesures de tension

<p><b>Mesure de la tension d'alimentation</b></p>	
<p>Mesurez la tension de la batterie alimentant le circuit imprimé (PCB).</p> <p>Résultat attendu : de 23 à 29 V</p>	
<p>Mesurez la tension d'alimentation de l'interrupteur principal (deux broches intermédiaires)</p> <p>Résultat attendu : de 23 à 29 V</p>	
<p>Mesurez la tension d'alimentation du moteur du lève-personne tout en appuyant sur le bouton HAUT ou BAS de la télécommande.</p> <p>Résultat attendu : de 23 à 29 V</p>	
<p>Mesurez la tension d'alimentation du circuit imprimé (PCB) du lève-personne (Robin® Mover uniquement)</p> <p>Résultat attendu : de 23 à 29 V</p>	
<p>Mesurez la tension d'alimentation des anneaux en cuivre tout en appuyant sur le bouton GAUCHE ou DROITE de la télécommande (Robin® Mover uniquement)</p> <p>Résultat attendu : de 23 à 29 V</p>	

<p><b>Mesure de la tension d'alimentation</b></p>	
<p>Mesurez la tension d'alimentation du circuit imprimé (PCB) du moteur de déplacement du lève-personne tout en appuyant sur le bouton GAUCHE ou DROITE de la télécommande (Robin® Mover uniquement)</p> <p>Résultat attendu : de 23 à 29 V</p>	
<p>Mesurez la tension d'alimentation du moteur de déplacement du lève-personne tout en appuyant sur le bouton GAUCHE ou DROITE de la télécommande (Robin® Mover uniquement)</p> <p>Résultat attendu : de 23 à 29 V</p>	
<p>Mesurez la tension d'alimentation du solénoïde tout en appuyant sur le bouton GAUCHE ou DROITE de la télécommande (Robin® Mover uniquement)</p> <p>Résultat attendu : de 23 à 29 V</p>	

## 8 Caractéristiques Techniques

### 8.1 Système de rails

Tous les rails profilés ont été fabriqués en aluminium extrudé.

Les rails sont disponibles avec un revêtement par pulvérisation blanc.

Les rails sont disponibles en trois hauteurs différentes : S= 68 mm, M=114 mm et L=183 mm, assurant respectivement une portée libre de 2 m, 4 m et 8 m.

La largeur du profilé est de 58 mm pour les trois profilés. Le haut des profilés est formé de façon à permettre le raccordement des rails aux supports d'installation.

À la livraison, le rail du lève-personne présente une rainure au fond. Cette rainure, qui s'utilise pour l'installation du lève-personne, est ce que l'on appelle le « trou de serrure ».

#### Installations possibles

Le **monorail** peut être installé au plafond ou au mur et au plancher. La position du rail dans la pièce peut être soit parallèle au mur, soit en angle par rapport au mur.

Le **système de traverses** peut être installé au plafond ou au mur et au plancher. La portée libre entre les deux rails parallèles peut aller jusqu'à 8 000 m.

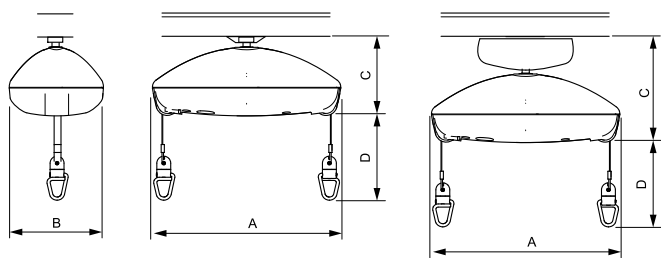
Les **coudes** sont disponibles dans le profilé en S et peuvent être installés au plafond. Ils existent en angles de 30°, 45°, 60° et 90°.

#### Solutions spéciales

L'**installation avec supports en suspension** s'utilise dans les cas suivants : lorsque la hauteur du plafond varie dans le sens longitudinal du rail, ou lorsque le rail doit être fraisé.

L'**installation angulaire** s'utilise lorsque le rail doit être installé à d'autres angles que 90°.

### 8.2 Dimensions et poids




#### Dimensions

	Robin®	Robin® Mover
Longueur du lève-personne (A)	470 mm	470 mm
Largeur du lève-personne (B)	250 mm	250 mm
Hauteur du lève-personne (C)	203 mm	266 mm
Plage de levage maximum (D)	2,5 m	2,5 m

#### Poids

	Robin®	Robin® Mover
Capacité de levage maximum (charge maximale d'utilisation)	200 kg	200 kg
Poids total sans la sangle	7,3 kg	10 kg

### 8.3 Système électrique

	Robin®	Robin® Mover
Courant d'entrée maximum	0,9 A	
Classe de protection <sup>1</sup>	Appareil complet : IPx4 (lève-personne sur rail : IP24 ; télécommande : IP44)	
Classe d'isolation	Équipement de classe II	
	Pièce appliquée de type B Pièce appliquée conforme aux exigences spécifiées pour la protection contre les décharges électriques selon la norme IEC 60601-1.	
Niveau sonore	de 50 à 55 dB (A).	
Nombre de levages par charge	65 levages de 0,5 m avec une charge 80 kg	
Intermittent (fonctionnement périodique des moteurs)	10 %, 2 min/18 min max.	
Batterie	Batterie NiMH 24 V / 1,9 Ah	
Durée de charge	Jusqu'à 3 heures à 20 °C	
Vitesse de levage avec une charge de 200 kg	2,1 cm/s	2,1 cm/s
Vitesse de déplacement latéral dans les rails	s/o	14 cm/s

#### Chargeur

Tension de sortie	En cours de recharge : 25 – 36 V cc En dehors des périodes de recharge : 41 V cc
Tension d'alimentation	100 – 240 V CA, 50 – 60 Hz
Classe de protection <sup>1</sup>	IP41 ou IP67 (selon la version)

<sup>1</sup> Consultez l'étiquette apposée sur le produit et sur chaque appareil électrique pour connaître la classe de protection correcte. La classification IP la plus basse détermine la classification générale de l'appareil.

- IPx4 : protection contre les projections d'eau, quelle que soit la direction.
- IP24 : protection contre les objets de taille supérieure à 12,5 mm et contre les projections d'eau, quelle que soit la direction.

- IP44 : protection contre les objets de taille supérieure à 1 mm et contre les projections d'eau, quelle que soit la direction.
- IP41 : protection contre les objets de taille supérieure à 1 mm et contre les chutes d'eau en position verticale.
- IP67 : protection contre la poussière et contre l'infiltration d'eau en cas d'immersion temporaire.



Laissez le produit atteindre la température d'utilisation avant de l'utiliser :

- Le réchauffement à partir de la température de stockage minimale peut prendre jusqu'à 24 heures.
- Le refroidissement à partir de la température de stockage maximale peut prendre jusqu'à 24 heures.

## 8.4 Conditions ambiantes

	Stockage et transport	Utilisation
Température	de -30 °C à +50 °C	de +5 °C à +40 °C
Humidité relative	de 10 % à 70 %	de 20 % à 90 % à 30 °C, sans condensation
Pression atmosphérique	de 700 à 1 060 hPa	

---

# Innholdsfortegnelse

---

FORHANDLERE: Behold denne håndboken. Prosedyrene i denne håndboken MÅ utføres av en kvalifisert tekniker.

<b>1 Generell informasjon</b>	<b>64</b>
1.1 Innledning	64
1.1.1 Symboler i denne håndboken	64
<b>2 Sikkerhet</b>	<b>65</b>
2.1 Generell sikkerhetsinformasjon	65
2.2 Den takmonterte løfterens hoveddeler	65
<b>3 Montering</b>	<b>66</b>
3.1 Montere den takmonterte løfteren til skinnesystemet	66
3.1.1 Montere Robin®	66
3.1.2 Montere Robin® Mover	66
<b>4 Vedlikehold</b>	<b>68</b>
4.1 Lade batteriet	68
4.2 Batterivedlikehold	68
4.2.1 Oppbevaringsegenskaper	68
4.2.2 Oppbevaringstemperatur	68
4.2.3 Oppbevaringstid	68
4.2.4 Luftfuktighet ved oppbevaring	69
4.2.5 Gjenvinne batterikapasitet	69
<b>5 Service</b>	<b>70</b>
5.1 Serviceintervall	70
5.2 Tiltrekkingsmomenter	70
5.3 Sjekkliste for servicekontroll	71
<b>6 Instruksjoner</b>	<b>72</b>
6.1 Demontere den takmonterte løfteren	72
6.1.1 Demontere Robin®	72
6.1.2 Demontere Robin® Mover	72
6.2 Bytte ut håndkontrollen	73
6.3 Fjerne løfterdekslet	73
6.4 Bytte ut stroppekroktilbehør	73
6.5 Bytte ut batteriet	74
6.6 Bytte ut PCB (trykt kretskort)	74
6.7 Bytte ut sikringen	74
6.8 Justere solenoiden til løfteren flyttes sidelengs	75
6.9 Justere bryteren for løse stropper	75
6.10 Bytte ut dobbelthastighetsbryteren	76
6.11 Bytte ut kontaktdisk for Robin® Mover	76
<b>7 Feilsøking</b>	<b>78</b>
7.1 Problemløsningstabell	78
7.2 Indikatorlampe og lydsignal	79
7.3 Kontrollere funksjonen for løse stropper	79
7.4 Kontrollere dobbelthastighetsfunksjonalitet	79
7.5 Foreta spenningsavlesninger	79
<b>8 Tekniske Data</b>	<b>81</b>
8.1 Skinnesystemet	81
8.2 Dimensjoner og vekt	81
8.3 Elektrisk system	81
8.4 Miljøbetingelser	81

# 1 Generell informasjon

## 1.1 Innledning

Denne håndboken inneholder informasjon om montering, justering og avansert vedlikehold av produktet. Les håndboken nøye, og følg sikkerhetsinstruksjonene i den, slik at du kan håndtere produktet på en trygg måte.

Finn bruksanvisningen på Invacares hjemmeside eller kontakt din Invacare-representant. Se adresser å slutten av denne håndboken.

Invacare forbeholder seg retten til å endre produktspesifikasjoner uten forvarsel.

Før du leser denne håndboken, må du forsikre deg om at du har den nyeste versjonen. Du finner den nyeste versjonen som en PDF-fil på Invacare-nettstedet.

For førsalgs- og brukerinformasjon, se bruksanvisningen.

For mer informasjon om produktet, som f.eks. produksikkerhetsmerknader og tilbakekalling av produkter,

ta kontakt med din Invacare-representant. Se adresser å slutten av dette dokumentet.

### 1.1.1 Symboler i denne håndboken

Advarslene i denne bruksanvisningen er angitt med symboler. Advarselsymbolene ledsages av en overskrift som angir alvorlighetsgraden.



#### ADVARSEL

Angir en farlig situasjon som kan føre til alvorlig personskade eller død dersom den ikke unngås.



#### FORSIKTIG

Angir en farlig situasjon som kan føre til lettere skade dersom den ikke unngås.



#### VIKTIG

Angir en farlig situasjon som kan føre til skade på utstyr hvis den ikke unngås.



#### Tips og anbefalinger

Gir nyttige tips, anbefalinger og opplysninger når det gjelder effektiv og problemfri bruk.



## 2 Sikkerhet

### 2.1 Generell sikkerhetsinformasjon



#### ADVARSEL!

##### Skaderisiko for personer eller materiell

- Prosedyrene i denne håndboken må bare utføres av en kvalifisert tekniker.
- Bruk bare originalt tilbehør og reservedeler.
- Du må ikke håndtere dette produktet eller tilgjengelig tilleggsutstyr uten først å ha lest og forstått denne veiledningen og eventuelle andre instruksjoner, for eksempel bruksanvisninger, installasjonshåndbøker eller instruksjonsark som følger med dette produktet eller tilleggsutstyr.
- Etter hver montering må du kontrollere at alle beslag og fester er godt festet, og at alle delene fungerer slik de skal.



#### ADVARSEL!

##### Fare for kontaminering

- Rengjør og desinfiser produktet grundig før det brukes på nytt.



#### VIKTIG!

Montering av tilbehør er kanskje ikke beskrevet i denne servicehåndboken. Se håndboken som ble levert med tilbehøret.

- Du kan bestille ekstra håndbøker fra Invacare. Se adresser på slutten av dette dokumentet.



#### VIKTIG!

Følgende reservedeler er bare tilgjengelige som et sett. Bruk hele det nye settet når du bytter en del.

- Reservedeler kan bestilles fra Invacare. En elektronisk katalog over reservedeler (ESPC) er tilgjengelig på Invacares hjemmeside.



#### VIKTIG!

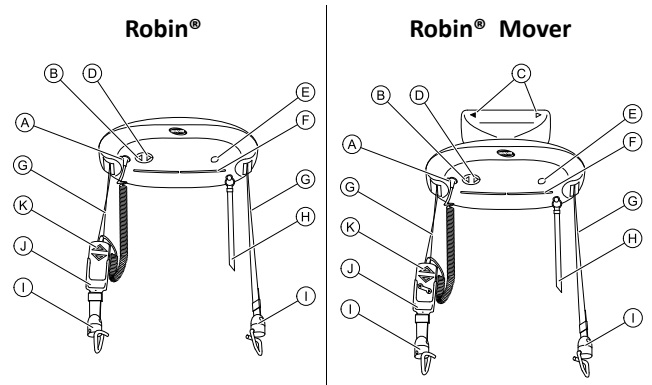
Se i bruksanvisningen til dette produktet for mer informasjon om

- Tekniske data
- Produktkomponenter
- Etiketter
- Ekstra sikkerhetsinstruksjoner
- Instruksjoner for rengjøring og desinfisering



Informasjonen i dette dokumentet kan endres uten varsel.

### 2.2 Den takmonterte løfterens hoveddeler




(A)	Tilkobling for håndkontroll
(B)	OPP-kontrollknapp
(C)	Retningspiler på Robin® Mover
(D)	NED-kontrollknapp
(E)	Tilkobling for eksternt reservebatteri
(F)	Indikatorlampe
(G)	Løftestropper
(H)	Rød nødstop
(I)	Stroppekroker
(J)	Holder for håndkontroll (tilbehør)
(K)	Håndkontroll

## 3 Montering


### 3.1 Montere den takmonterte løfteren til skinnesystemet

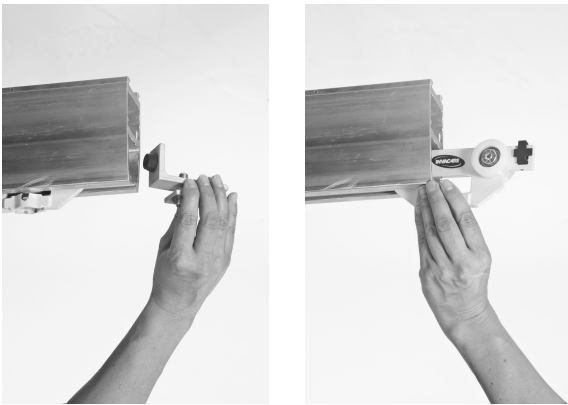
Robin® krever en løpekatt, som fører den takmonterte løfteren i skinnesystemet. Robin® Mover har løpekatten innebygd og kan monteres direkte til skinnesystemet.

#### 3.1.1 Montere Robin®


 Verktøy: 4 mm unbrakonøkkel, 17 mm ringnøkkel

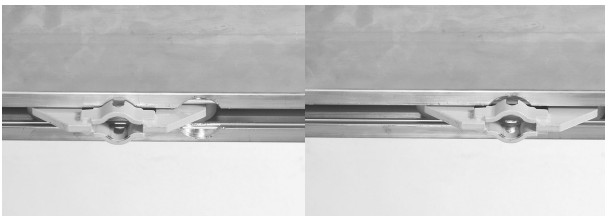
1. Når du skal montere løpekatten, må du fjerne endestopperen som er festet til skinnesystemet.

 I noen land / lokale områder er det påkrevd å dobbeltsikre endestopperne. Hvis en ekstra festeskruer monteres, fjerner du denne skruen først.

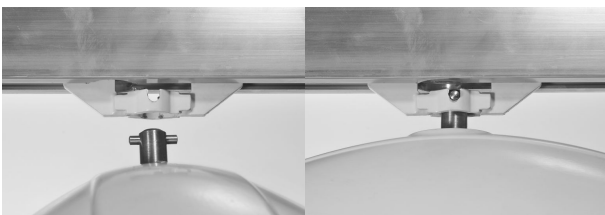


2. Sett løpekatten inn i skinnen (det er det samme hvilken vei, da løpekatten er symmetrisk).
3. Sett inn igjen endestopperen.
 


 I noen land / lokale områder er det påkrevd å dobbeltsikre endestopperne. Hvis en ekstra festeskruer kreves, monterer du denne skruen. Se også *Endestopper*.
4. Plasser løfterløpekatten ved den runde fordybningen på Ø 32 mm (diameter) i skinnen.



5. Hev løfteren og skyv opphengsbolten gjennom løpekattåpningen.




6. Vri løfteren 90 grader for å feste den i løpekatten.
7. Koble til håndkontrollen.
8. Juster lengden på nødstopper/senkebåndet til innenfor brukerens rekkevidde.

 Hvis det er stor motstand, eller hvis løpekatten utilsiktet ruller av seg selv på grunn av ubalanse i skinneopphengene, justerer du friksjonsbremsen med en 4 mm unbrakonøkkel.



#### 3.1.2 Montere Robin® Mover


Løpekatten er innebygd i løfteren og kan derfor ikke forhåndsmonteres i skinnen.

 Verktøy: 4 mm unbrakonøkkel, 17 mm ringnøkkel

1. Fjern endestopperen.




2. Sett løfterens hjul i skinnen.
 

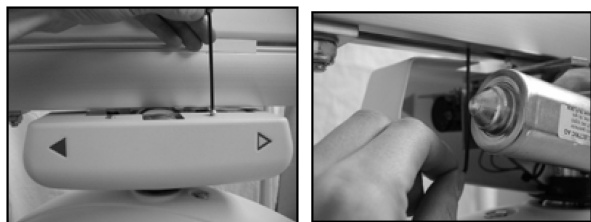
 Hvilken retning løfteren vender i, spiller ingen rolle under monteringen.



3. Monter endestopperen.

 Stram til bolten med et moment på 30 Nm.

4. Hvis du opplever for mye motstand når du drar i løfteren, eller løfteren beveger seg for fritt og utilsiktet, justerer du friksjonsbremsen.




5. Koble til håndkontrollen.
6. Juster lengden på nødstopet/senkebåndet til innenfor brukers rekkevidde.


## 4 Vedlikehold

### 4.1 Lade batteriet

Hvis ladestatusen blir lav, avgis en hørbar indikator og indikatorlampen på undersiden av den takmonterte løfteren blinker (se også 7.2 *Indikatorlampe og lydsignal, side 79*). Når dette skjer, er det vanligvis nok strøm til å senke pasienten.

 Det er ikke mulig å bruke løfteren når batteriet lades.

1. Fullfør det aktuelle pågående løftet  
Dersom det aktuelle pågående løftet utlader batteriet helt, kan et eksternt reservebatteri brukes til å drive løfteren midlertidig. Se *Bruke det eksterne reservebatteriet*.
2. Flytt den takmonterte løfteren til ladestasjonen.
3. Sett håndkontrollen i ladestasjonen og lad opp den takmonterte løfteren
4. Sett håndkontrollen i ladestasjonen.  
En gul indikatorlampe på laderen indikerer at håndkontrollen er koblet til. Indikatorlampen lyser rødt under lading.
5. Når batteriet er fulladet, lyser indikatorlampen på laderen grønt.  
Så lenge den takmonterte løfteren ikke er i bruk, lar du håndkontrollen være i ladestasjonen.
6. Hvis du skal bruke den takmonterte løfteren, fjerner du håndkontrollen fra laderen.

 Ved å holde batteriene oppladet garanteres løfterens funksjonalitet, mens batteriet holdes ved like slik at det får en lang levetid.

Hvis lydindikatoren piper og den blå indikatoren på løfteren blinker når løfteren har blitt fulladet og bare har vært i bruk en kort tidsperiode, er det mulig at batteriet må lades ut og lades opp igjen, eller at det må byttes ut. Se 4.2 *Batterivedlikehold, side 68*.

Dersom den takmonterte løfteren ikke skal brukes på mer enn 4 uker, anbefaler Invacare å koble fra laderen og dra i nødstoppet.

Laderen kobles til strømmettet med en strømplugg. Sørg for at strømpluggen er tilgjengelig og kan kobles fra ved behov.

### 4.2 Batterivedlikehold

Hvis lydindikatoren piper og den blå indikatoren på løfteren blinker når løfteren har blitt fulladet og bare har vært i bruk en kort tidsperiode, er det mulig at batteriet må lades ut og lades opp igjen.

For at batteriet skal kunne lades fullt ut, må det lades ut og opp igjen fra tid til annen.


Etter en lang periode med oppbevaring kan det også være nødvendig å lade batteriet ut og opp igjen.

Vi foreslår også å lade batteriet ut og opp igjen i situasjoner der løfteren brukes sjelden, og/eller der håndkontrollen er plassert i laderen i lange perioder av gangen. I slike situasjoner vil det alltid være nok kapasitet for noen løft,

men vi anbefaler å lade batteriet ut og opp igjen så snart som mulig etter det.

Utlading etterfulgt av opplading av batteriet kan utføres ved å lade og lade ut løfteren helt flere ganger.

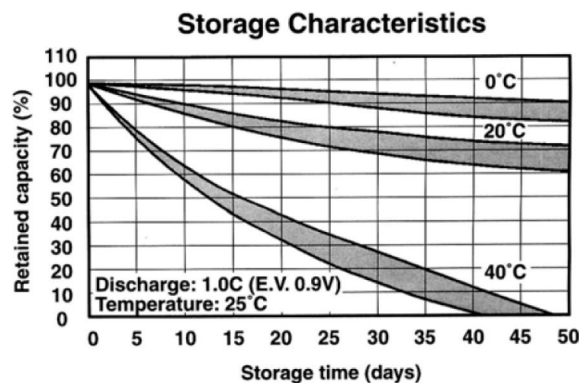
1. Lad batteriet til LED-lampen lyser grønt.
2. Fjern håndkontrollen fra laderen.
3. Hev og senk stroppene med belastning i ett minutt.
4. Vent ti minutter.
5. Gjenta trinn 3–4 til batteriet er helt utladet.

 Fortsett med denne prosessen når varselydene har blitt avgitt og de blå lyset blinker. Dette indikerer at batterinivået er lavt.

6. Gjenta trinn 1–5 to til tre ganger.

#### 4.2.1 Oppbevaringsegenskaper

I hovedsak vil alle oppladbare battericeller gradvis lades ut over tid uansett om de brukes eller ikke. Dette kapasitetstapet forekommer vanligvis på grunn av trege parasittiske reaksjonene som finner sted i cellen. Som sådan er den tapshastigheten (selvutladningshastigheten) en funksjon av cellekjemien og temperaturmiljøet som oppleves av cellen. På grunn av temperaturfølsomheten til selvutladningsreaksjonen kan forholdsvis små forskjeller i oppbevaringstemperatur resultere i store utladninger som er vanskelige eller umulige å reversere. Problemstillinger for celle- og batterioppbevaring som er av interesse for de fleste applikasjonsdesignere, dreier seg enten om hastigheten som cellene mister sin kapasitet med etter å ha blitt ladet opp, eller cellenes mulighet til å lades opp og utlades "normalt" etter oppbevaring i en viss periode. I begge situasjoner fungerer generelle retningslinjer utarbeidet for nikkel-kadmiumceller akseptabelt for nikkel-metall-celler.



#### 4.2.2 Oppbevaringstemperatur

Som allerede nevnt, øker selvutladningsreaksjonshastigheten med høyere temperaturer. Langvarig oppbevaring av batterimateriale fører til raskere forringelse. Lekkasjeytelsen forringes også, noe som resulterer i en redusert batterilevetid. Det anbefales at batterier som skal oppbevares lenge, oppbevares ved romtemperatur eller under 0–30 °C.

#### 4.2.3 Oppbevaringstid

Ettersom batteriet mister energi under oppbevaring, faller også spenningen. Generelt sett kan batterikapasitetstapet på grunn av selvutlading under oppbevaring gjenvinnes ved

å lade opp. Hvis batteriet oppbevares i over seks måneder, er det tilrådelig å slå batteriet av og på flere ganger for å gjenoppta batterikapasiteten. Bruk god lagerpraksis (først inn, først ut) for å redusere tidsceller tilbragt under oppbevaring.

#### **4.2.4 Luftfuktighet ved oppbevaring**

Lekkasje og rusting av metalleder blir fremskyndet i miljøer med høy luftfuktighet, spesielt miljøer med tilsvarende høye temperaturer. Oppbevaring i miljøer med høy luftfuktighet og høye temperatur anbefales ikke.

#### **4.2.5 Gjenvinne batterikapasitet**

Ved normal praksis vil oppbevarte celler gi full kapasitet ved den første utladingen etter fjerning fra oppbevaring og påfylling av standardmetoder. Celler som oppbevares i lengre tid eller ved forhøyede temperaturer, kan kreve mer enn én syklus for å oppnå tilsvarende kapasitet som før oppbevaringen. Vi anbefaler deg å forhøre deg med produsenten dersom forlenget oppbevaring og rask gjenvinning av kapasiteten ønskes.

## 5 Service

### 5.1 Serviceintervall

Service må utføres minst hver 12. måned og i henhold til sjekklisten for servicekontroll, med mindre annet er angitt i lokale krav. Når det utføres årlig eller regelmessig vedlikehold, må alle deler som er konstruert for å bære last, som et minimum, testes med maksimal belastning. Alle sikkerhetsfunksjoner må kontrolleres i samsvar med EN ISO 10535:2006 Vedlegg B.

Inspeksjonshyppigheten må økes hvis produktet utsettes for kontinuerlig høy fuktighet, høy kondensasjon og korrosive stoffer (f.eks. klor- eller amoniakk-gasser), for å unngå at produktet svekkes.

### 5.2 Tiltrekkingsmomenter



**VIKTIG**

Ikke stram til monteringsdelene for mye, da dette kan føre til skade på produktet.

Dersom ikke annet er angitt i de spesifikke anvisningene, gjelder følgende retningslinjer:

Gjenger	Tiltrekkingsmoment i Nm $\pm$ 10 %
M4	3 Nm
M5	6 Nm
M6	10 Nm
M8	25 Nm
M10	49 Nm
M12	80 Nm
M16	180 Nm

## 5.3 Sjekkliste for servicekontroll

### Skinnesystem

- Kontroller at alle braketter er strammet ordentlig til taket/veggen. Stram til på nytt ved behov.
- Kontroller forsterkningen. Hvis dette ikke er mulig, utfører du en belastningstest med 1,5 x nominell belastning i 20 minutter.
- Kontroller og etterstram endestoppere.
- Systemer med sporkoblinger: Kontroller om koblingen har blitt forskjøvet under bruk. Juster på nytt ved behov.
- Kontroller løpekatten og løpekatten for sidelengs flytting.
- Kontroller løpekatthjulene for jevn bevegelse og unormal støy.
- Kontroller friksjonsbremsens justering på løpekatter. Juster ved behov.
- Utfør en belastningstest med nominell belastning gjennom hele systemet.
- Sett på et klistremerke med en ny dato for neste inspeksjon.

Skinnesystem med transittkoblingsforbindelser:

- Kontroller låsefester:
  - sikkert festet til sporet
  - hver gripedel beveger seg uavhengig av de andre
  - riktig justert i forhold til sporingssporene
  - ingen hindringer som hindrer riktig funksjon
  - sikkerhetsplate er montert
- Kontroller monteringsfestene til løpekatten for sidelengs flytting.
- Kontroller sporingjustering. Juster på nytt ved behov.
- Funksjonstest transittkoblingen/låsefestet (10 ganger – deaktiver venstre/høyre gripedel x 5).
- Kontroller at avstanden mellom sporet og transittkoblingen er maks 3 mm.
- Funksjonstest under belastning (5 sykluser med maks tillatt arbeidsbelastning).
- Kontroller at innleggsplaten er montert (L- og M-skinne).

### Takmontert løfter

- Kontroller opphengs- og kryssbolten.
- Kontroller stål- og plasttannhjulene for slitasje og skader. Dersom tannhjulene er tørre, påfører du tannhjulsørefett.
- Kontroller sensoren for løse stropper og juster ved behov.
- Kontroller stroppene for slitasje og skader.
- Kontroller styresylindere og endestopperne.
- Kontroller løftekreftene, skruene og boltene for slitasje og skader.
- Kontroller at et klistremerke med maksimal belastning er festet på løfteren.
- Utfør en full løftesyklus med nominell belastning – må være uanstrengt og uten skurrende lyd.
- Sett på et klistremerke med en ny dato for neste inspeksjon.

### Elektriske tilkoblinger

- Kontroller at alle kabler er intakte.
- Kontroller for brudd på kabler og på isolasjon.
- Sjekk mikrobrytere for klem og kontroller den mekaniske funksjonen.
- Kontroller laderen for skader / kontroller laderens funksjon.
- Kontroller håndkontrollen for skader og kontroller dens funksjon. Forsikre deg om at håndkontrollen er tilkoblet på riktig måte.
- Kontroller nødstopet.
- Kontroller nødsenkingen.

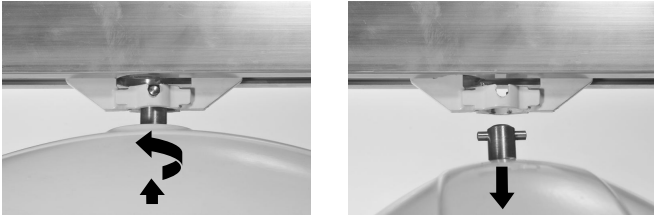
Serienummer:	
Inspeksjonsdato:	
Inspisert av:	
Kommentarer:	

## 6 Instruksjoner

### 6.1 Demontere den takmonterte løfteren

#### 6.1.1 Demontere Robin®

Fjern den takmonterte løfteren fra løpekatten



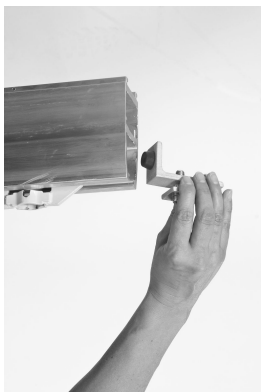
1. Hev løfteren litt og skyv opphengsbolten ut av holderen i løpekatten.
2. Vri løfteren 90 grader og trekk den ut av løpekatten.

Fjern løpekatten løfteren fra skinnen

1. Fjern endestopperen.
2. Skyv løpekatten ut av skinnen.

#### 6.1.2 Demontere Robin® Mover


1. Dra i nødstoppen for å hindre utilsiktet aktivering av den takmonterte løfteren etter at den har blitt demontert fra skinnen.
2. Fjern endestopperen.



3. Skyv løfterens hjul ut av skinnen.




4. Monter endestopperen.

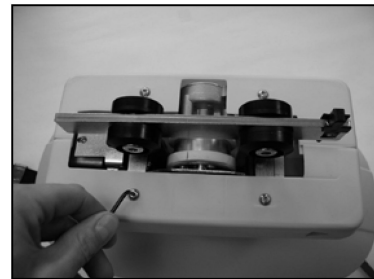
 Stram til bolten med et moment på 30 Nm.



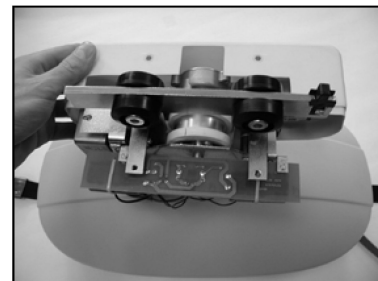
5. Hvis du fjerner løfteren fra skinnemotoren, utfører du følgende trinn:

 Når du bytter ut batteri eller utfører service, er det også nødvendig å fjerne løfteren fra skinnemotoren.

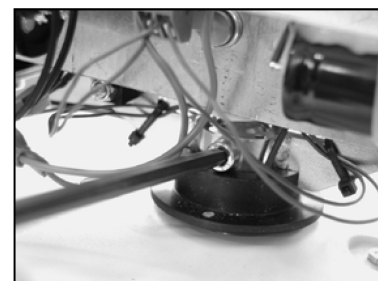
- a. Fjern skruene som fester plastskjellene, fra skinnemotoren.



- b. Trekk plastskjellene bort fra hverandre for å fjerne dem fra skinnemotoren.

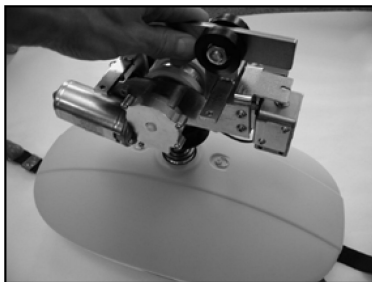


- c. Fjern M6-skruene som fester skinnemotoren til løfteren.



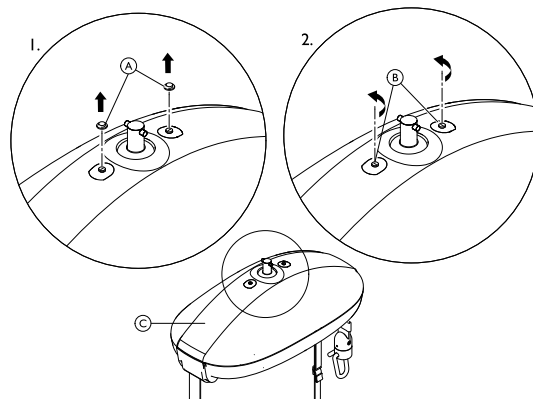
- d. Fjern skinnemotoren fra løfteren.





### FORSIKTIG! Fare for skade

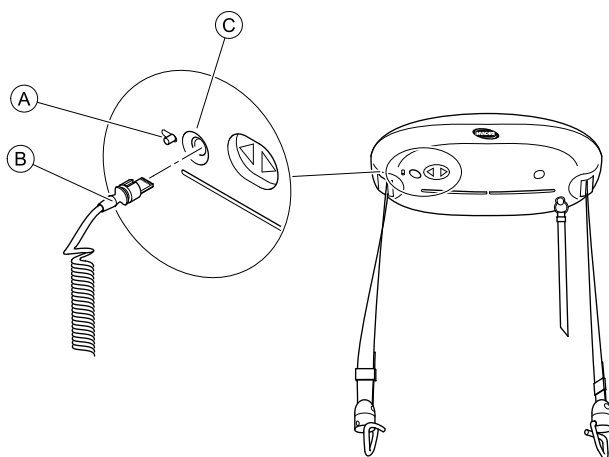
Det er mulig å fjerne løfteren fra skinnemotoren uten å fjerne skinnemotoren fra skinnesystemet. Slik unngår du skade på løfteren:  
– Understøtt alltid løfteren når du fjerner M6-skruen.



1. Fjern beskyttelseshetter (A). Bruk fingrene eller bruk om nødvendig en skrutrekker omhyggelig.
2. Løsne skruene (B) ved hjelp av en skrutrekker.
3. Ta dekselet (C) av løfteren.

Løfterdekselet lukkes ved å stramme skruene og feste beskyttelseshettene igjen.

## 6.2 Bytte ut håndkontrollen



1. Skyv og hold låsespaken (A) vekk fra åpningen (C).
2. Dra pluggen (B) ut av åpningen.
3. Sett pluggen til den nye håndkontrollen inn i åpningen. Sørg for at pluggen er vendt i riktig retning med sporet opp (se bilde).
4. Slipp opp spaken (A), slik at porten lukkes, og hold pluggen i åpningen.

## 6.3 Fjerne løfterdekselet

Før du fjerner løfterdekselet trekker du i den røde nødstoppen for å slå av løfteren og fjerne løfteren fra sporsystemet. Se:

- 6.1 Demontere den takmonterte løfteren, side 72



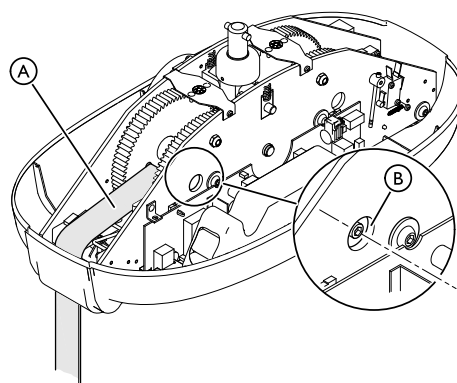
Verktøy: Skrutrekker, flathodet

## 6.4 Bytte ut stroppekroktilbehør



Verktøy: 10 mm kontaktnøkkel; 5 mm unbrakonøkkel

1. Med den takmonterte løfteren i sporet senker du stroppene til deres laveste punkt ved hjelp av håndkontrollen.
2. Dra i den røde nødstoppen for å utføre et nødstop. Ikke utfør nødsenking.
3. Fjern løfteren fra sporet. Se 6.1 *Demontere den takmonterte løfteren*, side 72.
4. Ta av dekselet. Se 6.3 *Fjerne løfterdekselet*, side 73.
5. Nullstill nødstoppet ved å trykke på nullstillingsknappen.
6. Kontroller at stroppen (A) er fullstendig rullet ut, som vist på bildet. Hvis ikke ruller du ut stroppene ved hjelp av OPP/NED-knappen på håndkontrollen.
7. Juster stroppesteboltene (B) i henhold til åpningen i kabinettet ved hjelp av OPP/NED-knappen på håndkontrollen.



8. Dra i den røde nødstoppen igjen.
9. Fjern stroppeboltene ved hjelp av en 10 mm kontaktnøkkel og en 5 mm unbrakonøkkel.
10. Fjern stroppen gjennom styresylindern.
11. Sett inn en ny stroppe gjennom styresylinder og monter ved hjelp av stroppesteboltene (moment: 4 Nm). Sørg for at den nye stroppen føres inn over den slakke stroppebryterledningen.
12. Sett dekselet på igjen, monter løfteren i sporet igjen og nullstill nødstoppet.

## 6.5 Bytte ut batteriet

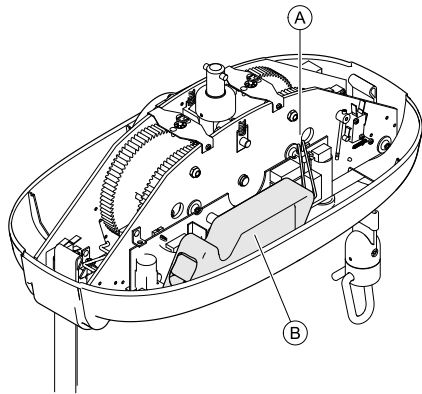


### FORSIKTIG!

Statisk elektrisitet kan skade PCB-et inne i løfteren.

Før du arbeider på innsiden av løfteren:

- Dra i den røde nødstoppen for å slå av løfteren.
- Fjern løfteren fra sporsystemet. (Se 6.1 *Demontere den takmonterte løfteren, side 72*)
- Ta dekselet av løfteren. (Se 6.3 *Fjerne løfterdekselet, side 73*)
- En antistatisk matte må brukes når du arbeider inne i den takmonterte løfteren.



1. Koble fra ledningene (A).
2. Fjern batteriet (B).
3. Sett inn et nytt batteri.



Bruk bare batterier som anbefales av Invacare.

4. Koble til ledningene (A).
5. Monter løfteren på nytt og nullstill nødstoppet.

## 6.6 Bytte ut PCB (trykt kretskort)

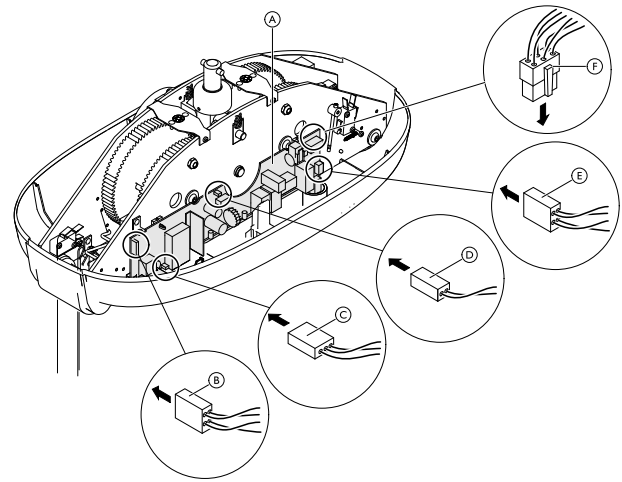


### FORSIKTIG!

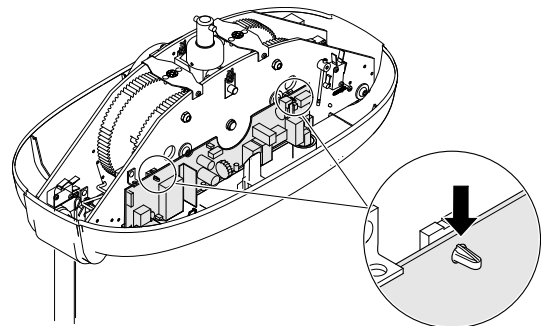
Statisk elektrisitet kan skade PCB-et inne i løfteren.

Før du arbeider på innsiden av løfteren:

- Dra i den røde nødstoppen for å slå av løfteren.
- Fjern løfteren fra sporsystemet. (Se 6.1 *Demontere den takmonterte løfteren, side 72*)
- Ta dekselet av løfteren. (Se 6.3 *Fjerne løfterdekselet, side 73*)
- En antistatisk matte må brukes når du arbeider inne i den takmonterte løfteren.



1. Ta ut batteriet. Se trinn 1 og 2 i kapittel 6.5 *Bytte ut batteriet, side 74*.
2. Fjern alle pluggene (B, C, D, E og F) fra PCB (A).
3. Løs ut PCB (A) fra festeholderne ved å trykke låseklipsene forsiktig ned og senke PCB litt vekk fra kabinettplaten.



4. Løft opp PCB for å ta det ut.
5. Plasser det nye trykte kretskortet i kabinettet og trykk det litt mot kabinettplaten til festeholderne klikker på plass.
6. Koble pluggene (B, C, D, E og F) til det nye PCB.
7. Sett inn igjen batteriet, monter løfteren på nytt og nullstill nødstoppet.

## 6.7 Bytte ut sikringen



### FORSIKTIG!

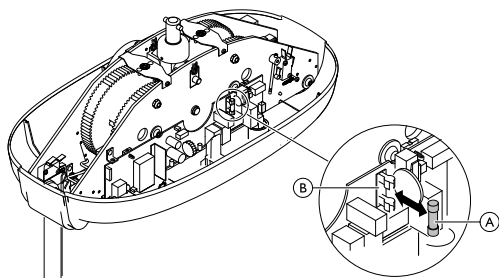
Statisk elektrisitet kan skade PCB-et inne i løfteren.

Før du arbeider på innsiden av løfteren:


- Dra i den røde nødstoppen for å slå av løfteren.
- Fjern løfteren fra sporsystemet. (Se 6.1 *Demontere den takmonterte løfteren, side 72*)
- Ta dekselet av løfteren. (Se 6.3 *Fjerne løfterdekselet, side 73*)
- En antistatisk matte må brukes når du arbeider inne i den takmonterte løfteren.

1. Fjern håndkontrollen. Se kapittel 6.2 *Bytte ut håndkontrollen, side 73*
2. Ta ut batteriet. Se trinn 1 til 3 i kapittel 6.5 *Bytte ut batteriet, side 74*.

3. Dra forsiktig sikringen Ⓐ rett ut av holderen Ⓑ.




4. Sett inn en ny sikring.

 Sørg for at bare en treg sikring med korrekt klassifisering (10A 250V) brukes.

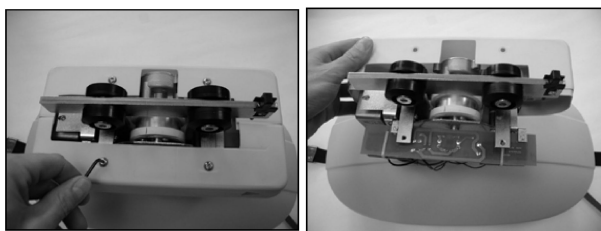
5. Sett inn batteriet på nytt, monter løfteren igjen, sett inn håndkontrollen og nullstill nødstoppet.

## 6.8 Justere solenoiden til løfteren flyttes sidelengs

Kun Robin® Mover.

 4 mm unbrakonøkkel, 7 mm fastnøkkel

1. Dra i den røde nødstoppen.
2. Med den takmonterte løfteren igjen i sporet fjerner du begge plastskjellene:



- a. Fjern skruene som fester plastskjellene, fra skinnmotoren.
  - b. Trekk plastskjellene bort fra hverandre for å fjerne dem fra skinnmotoren.
3. Bruk en klut til å beskytte solenoidstampelet mens du klemmer med gripedelene på samme tid. Bruk en 7 mm fastnøkkel til å trekke opp mutteren Ⓐ ved å dreie 2 hele omdreininger mot klokken.



4. For testing holder du fast løfteren med én hånd, mens du trykker på Venstre- eller Høyre-knappen på håndkontrollen. Det skal være god kontakt mellom det hvite drivhullet og undersiden av sporet. Hvis ikke gjentar du trinn 3.
5. Monter plastskjellene igjen. Sørg for riktig retning med klaring slik at platen over solenoiden fritt kan flyttes oppover og nedover. Se bilder i trinn 2.

## 6.9 Justere bryteren for løse stropper



### FORSIKTIG!

Statisk elektrisitet kan skade PCB-et inne i løfteren.

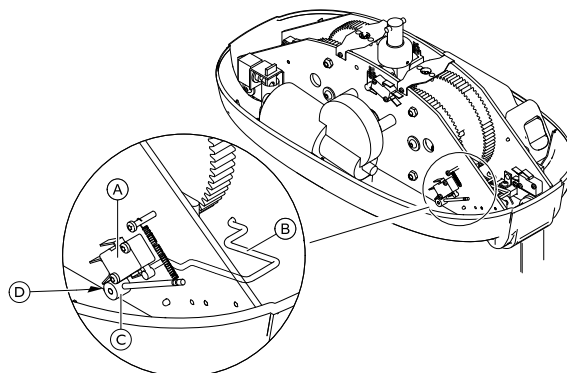
Før du arbeider på innsiden av løfteren:

- Dra i den røde nødstoppen for å slå av løfteren.
- Fjern løfteren fra sporsystemet. (Se 6.1 *Demontere den takmonterte løfteren*, side 72)
- Ta dekelet av løfteren. (Se 6.3 *Fjerne løfterdekelet*, side 73)
- En antistatisk matte må brukes når du arbeider inne i den takmonterte løfteren.



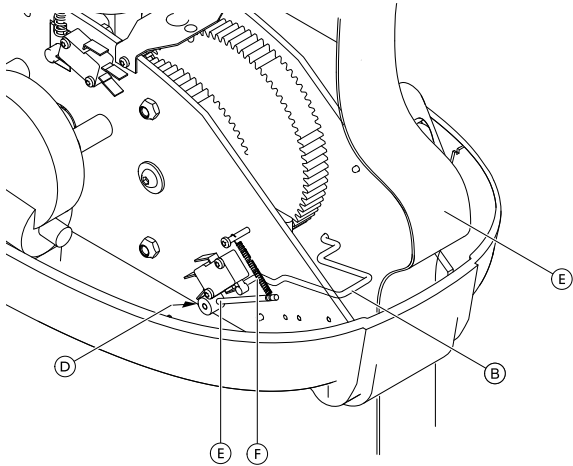
2 mm unbrakonøkkel

1. Plasser løfteren på en overflate (for eksempel hjørnet av et bord) slik at løfteren støttes, mens stroppene og håndkontrollen henger fritt. Sørg for at løfteren er trygt plassert og ikke kan skli/falle av bordet.
2. Finn bryteren for løse stropper Ⓐ og kontroller visuelt om det er klaring mellom krøgen Ⓒ og kabinettet.



- a. Hvis ikke: samtidig som du beholder geometrien til den slakke stroppremmen Ⓑ og kragearmen, løsner du kragesettskruen Ⓓ med en 2 mm unbrakonøkkel.
  - b. Skap klaring mellom krøgen og kabinettet.
  - c. Stram til kragesettskruen på nytt.
3. Test funksjonen for løse stropper. Se kapittel 7.3 *Kontrollere funksjonen for løse stropper*, side 79. Denne testen kan utføres mens løfteren forblir på bordet. Hvis feilen rettes, monterer du løfteren på nytt. Hvis ikke fortsetter du med trinn 4.

## 4. Juster spenningen til den slakke stropremmen.



- Løsne kragesettskruen **D** med en 2 mm unbrakonøkkel. Legg merke til at fjæren **F** nå drar kragearmen **C** mot bryteren, slik at den er åpen krets.
  - Løft stroppen **E** av den slakke stropremmen **B** og løft den slakke stropremmen.
  - Stram til kragesettskruen på nytt **D**.
- Test funksjonen for løse stropper. Se kapittel 7.3 *Kontrollere funksjonen for løse stropper, side 79*. Denne testen kan utføres mens løfteren forblir på bordet.
  - Hvis feilen rettes opp, monterer du løfteren på nytt og nullstiller nødstopet.

## 6.10 Bytte ut dobbelthastighetsbryteren

**FORSIKTIG!**

Statisk elektrisitet kan skade PCB-et inne i løfteren.

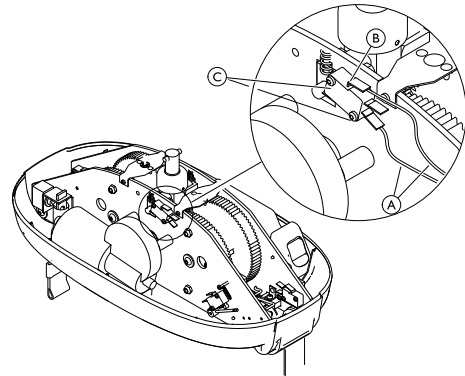
Før du arbeider på innsiden av løfteren:

- Dra i den røde nødstoppen for å slå av løfteren.
- Fjern løfteren fra sporsystemet. (Se 6.1 *Demontere den takmonterte løfteren, side 72*)
- Ta dekselet av løfteren. (Se 6.3 *Fjerne løfterdekselet, side 73*)
- En antistatisk matte må brukes når du arbeider inne i den takmonterte løfteren.



T10 Torx-skrutrekker

- Plasser løfteren på en overflate (for eksempel hjørnet av et bord) slik at løfteren støttes, mens stropene og håndkontrollen henger fritt. Sørg for at løfteren er trygt plassert og ikke kan skli/falle av bordet.
- Fjern de to gule kablene **A** fra dobbelthastighetsbryteren **B**.



- Fjern de to skruene **C**.
- Fest den nye dobbelthastighetsbryteren med skruer **C**. Koble til de gule kablene **A**. Sørg for at de er koblet til de nedre og de øvre klemmene.
- Monter løfteren på nytt og nullstill nødstopet.

## 6.11 Bytte ut kontaktdisk for Robin® Mover

**FORSIKTIG!**

Statisk elektrisitet kan skade PCB-et inne i løfteren.

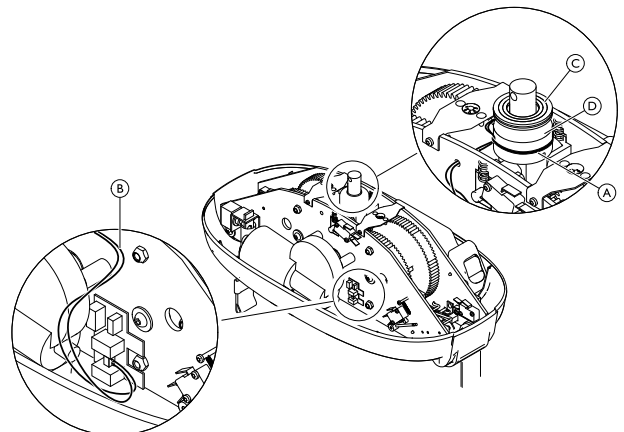
Før du arbeider på innsiden av løfteren:

- Dra i den røde nødstoppen for å slå av løfteren.
- Fjern løfteren fra sporsystemet. (Se 6.1 *Demontere den takmonterte løfteren, side 72*)
- Ta dekselet av løfteren. (Se 6.3 *Fjerne løfterdekselet, side 73*)
- En antistatisk matte må brukes når du arbeider inne i den takmonterte løfteren.

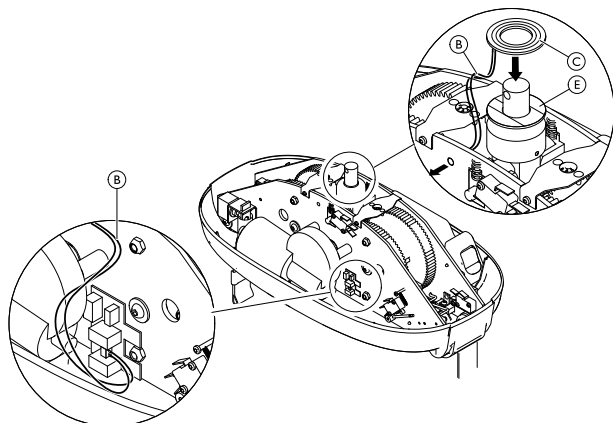


Skrutrekker

- Ta av bunnebåndet **A**.
- Fjern kontaktdiskkablene **B** fra Mover PCB ved hjelp av en koblingskrutrekker. Vær oppmerksom på den brune kabeltoppen og den blå kabelbunnen. Før kablene gjennom kabinettplaten.



3. Skill nøye og fjern hele kontaktdisken © fra opphengsbasen © ved å løse ut den selvklebende tapen.
4. Fjern og rengjør for restene av den selvklebende tapen.
5. Monter den nye selvklebende tapen © den nye kontaktdisken ©.
6. Før kablene © gjennom kabinettplatens og koble dem til Mover PCB.
7. Monter løfteren på nytt og nullstill nødstoppet.



## 7 Feilsøking

### 7.1 Problemløsningstabell

SYMPTOMER	PROBLEM	LØSNING
Den takmonterte løfteren responderer ikke på håndkontrollens knapper, og opp/ned-knappene på den takmonterte løfteren responderer ikke.	Nødstopp aktivert	Nullstill nødstoppet. (Se bruksanvisningen)
	Systemet har ikke strømtilførsel, eller batteriet er utladet	Lad batteriet eller bruk reservebatteriet. Se 4.1 Lade batteriet, side 68.
	Sikringen har gått	Skift ut sikringen. Se 6.7 Bytte ut sikringen, side 74.
Den takmonterte løfteren responderer ikke på håndkontrollens knapper, men opp/ned-knappene på den takmonterte løfteren responderer.	Håndkontrollen er ikke tilkoblet på riktig måte	Kontroller at håndkontrollkabelen er plagget inn i løfteren på riktig måte. Se 6.2 Bytte ut håndkontrollen, side 73.
	Defekt håndkontroll	Bytt ut håndkontrollen. Se 6.2 Bytte ut håndkontrollen, side 73.
Løftestroppene kan bare bevegges nedover og ikke oppover.	Batteriet er nesten utladet	Lad batteriet eller bruk reservebatteriet. Se 4.1 Lade batteriet, side 68.
	Belastningen er for høy	Reduser belastningen. Løfteren er utstyrt med et sikkerhetssystem for overstrøm.
Løftestroppene kan bare bevegges oppover og ikke nedover.	Defekt håndkontroll	Bytt ut håndkontrollen. Se 6.2 Bytte ut håndkontrollen, side 73.
	Funksjonen for løse stropper er aktivert	Kontroller funksjonen for løse stropper. Se 7.3 Kontrollere funksjonen for løse stropper, side 79.
Den takmonterte løfterens hastighet er den samme med og uten belastning.	Funksjonen for hurtigbevegelse uten belastning er aktivert permanent	Kontroller bryteren for hurtig bevegelse. Se 7.4 Kontrollere dobbelthastighetsfunksjonalitet, side 79.
Løftestroppene er vridd og rettes ikke ut.	Løftekrokene vris ikke fritt nok	Rengjør krokene eller bytt ut stroppene.
	Stroppene er frynsete	Bytt ut stroppene. Se 6.4 Bytte ut stroppekroktilbehør, side 73.
Den takmonterte løfteren flyttes ikke sidelengs langs skinnene.	Det må utføres service på skinnene, eller de må rengjøres	Inspiser skinnesystemet
	Drivhjulene er slitt eller skadet (kun Robin® Mover)	Juster drivhjulene.
	Håndkontrollen er defekt	Bytt ut håndkontrollen.
Den takmonterte løfteren avgir sterk støy når den aktiveres.	Defekte lagre, tannhjul eller motor	Bytt ut løfteren
Den takmonterte løfteren lader ikke	Systemet får ikke tilført strøm	Sett håndkontrollen i ladestasjonen og lad opp den takmonterte løfteren
		Kontroller at strømforsyningen er slått på og koblet til ladestasjonen.
Ingen indikatorlampe på løfteren	Systemet har ikke strømtilførsel, eller batteriet er utladet.	Kontroller at den takmonterte løfteren har strømforsyning, og at batteriet er ladet opp.
		Kontroller at strømforsyningen er slått på og koblet til ladestasjonen.
		Sett håndkontrollen i ladestasjonen og lad opp den takmonterte løfteren.
Nødstoppen slår ikke av løfteren	Løfteren krever service.	Kontakt en Invacare-representant for reparasjon.
Nødstoppen senker ikke løfteren.	Løfteren krever service.	Kontakt en Invacare-representant for reparasjon.



Dersom feilen fortsatt er der etter at du har prøvd de angitte løsningene, kontakter du en Invacare-representant.

## 7.2 Indikatorlampe og lydsignal

### Løfter

Status	Indikatorlampe	Lydsignal
Av/ventemodus Løfteren flyttes sidelengs (kun Robin® Mover)	Av	Nei
Løfteren er i bruk (opp/ned)	Blå	Nei
Lavt batterinivå	Blinker blått	Ja

Den blå indikatorlampen på undersiden av løfteren slår seg av automatisk etter 30 sekunder.

### Veggmontert lader

Status	Indikatorlampe	Varighet
Batteri ikke tilkoblet	Gul	i/a
Initialisering og analyse av batteri	Gul	12–14 sekunder
Hurtigopplading	Rød	5 min – 3 timer
Ladet (vedlikeholdslading)	Grønn	i/a
Feiltilstand (batterifeil)	Vekslede rød og grønn	i/a

## 7.3 Kontrollere funksjonen for løse stropper

En riktig justert bryter for løse stropper sikrer at stroppene slutter å senke når de berører en hindring.


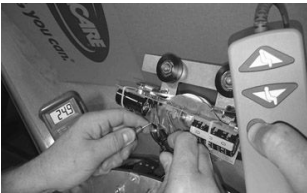
- Med den takmonterte løfteren fremdeles i sporet kontrollerer du at det ikke finnes hindringer under noen av stroppekroene.
- Plasser en hindring under én av stroppekroene og trykk på og hold inne ned-knappen på håndkontrollen, Forventet resultat: Når stroppekroen treffer hindringen, stopper stroppen nedsenkingen.
- Hvis stroppen IKKE stopper nedsenkingen, justerer du bryteren for løse stropper. Se kapittel 6.9 *Justere bryteren for løse stropper, side 75.*
- Gjenta trinn 2 og 3 for den andre stroppen.

## 7.4 Kontrollere dobbelthastighetsfunksjonalitet

- Med løfteren i sporet og begge stroppene hengende fritt fra hindringer trykker du inn og holder inne opp-knappen uten belastning. Noter hastighet (40 mm/s) og lyden av motor.
- Mens du fortsetter å holde inne opp-knappen, påfører du en belastning på minst 10 kg (f.eks. ved å trekke begge stroppene nedover). Noter til hastighetsreduksjonen (30 mm/s) og endringen i motorlyd.
- Hvis det ikke fant sted en hastighetsreduksjon, bytter du ut de to dobbelthastighetsbryterne. Se kapittel 6.10 *Bytte ut dobbelthastighetsbryteren, side 76.*

## 7.5 Foreta spenningsavlesninger

<b>Les av matespenning</b> Les av batterimatespenning for PCB. Forventet resultat: 23 til 29 V	
Les av hovedbryterens matespenning (to midterste pinner) Forventet resultat: 23 til 29 V	
Les av matespenning for løftermotoren mens du trykker på OPP- eller NED-knappen på håndkontrollen. Forventet resultat: 23 til 29 V	
Les av matespenning for PCB for løfterdriver. (kun Robin® Mover) Forventet resultat: 23 til 29 V	
Les av matespenning for kobberingene, mens du trykker på VENSTRE- eller HØYRE-knappen på håndkontrollen. (kun Robin® Mover) Forventet resultat: 23 til 29 V	
Les av matespenning for løpekattdriver for PCB, mens du trykker på VENSTRE- eller HØYRE-knappen på håndkontrollen. (kun Robin® Mover) Forventet resultat: 23 til 29 V	

<b>Lese av matespenning</b>	
<p>Les av matespenning for løpekattdrivermotoren, mens du trykker på VENSTRE- eller HØYRE-knappen på håndkontrollen. (kun Robin® Mover)</p> <p>Forventet resultat: 23 til 29 V</p>	
<p>Les av matespenning for solenoiden, mens du trykker på VENSTRE- eller HØYRE-knappen på håndkontrollen. (kun Robin® Mover)</p> <p>Forventet resultat: 23 til 29 V</p>	



## 8 Tekniske Data

### 8.1 Skinnesystemet

Alle skinneprofiler er produsert i ekstrudert aluminium.

Skinneene er tilgjengelige med hvitt pulverbelegg.

Skinneene er tilgjengelige i tre ulike høyder; S= 68 mm, M=114 mm og L=183 mm, og gir en fri spennvidde på henholdsvis 2 m, 4 m og 8 m.

Profilbredden for alle tre profilene er 58 mm. Toppen av profilene er utformet for å muliggjøre koplingen av skinnene til monteringsbrakettene.

Ved levering vil skinnen for løfteren ha en riflet fordypning på bunnen. Denne fordypningen brukes for løftermontering og kalles nøkkelhull.

#### Mulige installasjoner

**Enkeltskinne** kan monteres i taket eller på vegg og gulv. Skinneposisjonen i rommet kan enten være parallell med en vegg eller vinklet i forhold til en vegg.

**Systemet for sidelengs flytting** kan monteres i taket eller på vegg og gulv. Den frie spennvidden mellom de to parallellskinnene kan være opptil 8000 mm.

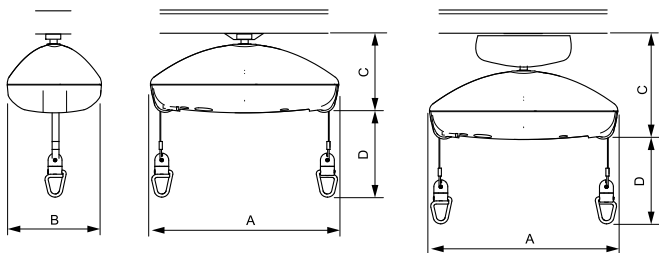
**Buer** er tilgjengelige i S-profilen og kan monteres i taket. De er tilgjengelige i vinkler på 30°, 45°, 60° og 90°.

#### Spesielle løsninger

**Montering med pendelbraketter** brukes i følgende tilfeller: Når takets høyde varierer i skinnens lengderetning, eller når skinnen skal være forsenket.

**Vinklet montering** brukes når skinnen skal installeres i andre vinkler enn 90°.

### 8.2 Dimensjoner og vekt




#### Dimensjoner

	Robin®	Robin® Mover
Løfterlengde (A)	470 mm	470 mm
Løfterbredde (B)	250 mm	250 mm
Løfterhøyde (C)	203 mm	266 mm
Maksimalt løfteområde (D)	2,5 m	2,5 m

#### Vekt

	Robin®	Robin® Mover
Maksimal løftekapasitet (maksimal tillatt arbeidsbelastning)	200 kg	200 kg
Totalvekt uten løfteseil	7,3 kg	10 kg

### 8.3 Elektrisk system

	Robin®	Robin® Mover
Maksimal inngangsstrøm	0,9 A	
Beskyttelsesklasse <sup>1</sup>	Hele enheten: IPx4 (takmontert løfter: IP24; håndkontroll: IP44)	
Isolasjonsklasse	Klasse II-utstyr	
	Type B-kontakttdel Kontakttdelen oppfyller de angitte kravene til beskyttelse mot elektrisk støt iht. IEC60601-1.	
Lydnivå	50–55 dB (A)	
Antall løft per lading	65 løft på 0,5 m med 80 kg	
Intermitterende (periodisk motordrift)	10 %, maks 2 min / 18 min	
Batteri	NiMH-batteri 24 V / 1,9 Ah	
Ladetid	Opptil 3 timer ved 20 °C	
Løfthastighet med 200 kg belastning	2,1 cm/s	2,1 cm/s
Hastighet ved flytting sidelengs i sporet	i/a	14 cm/s

#### Lader

Spenningsutgang	Ladekabel 25–36 V DC Ingen last 41 V DC
Spenningsforsyning	100 – 240 V AC, 50 – 60 Hz
Beskyttelsesklasse <sup>1</sup>	IP41 eller IP67 (avhengig av versjon)

<sup>1</sup> Korrekt beskyttelsesklasse er angitt på produktetiketten og etiketten på hver elektroniske enhet. Den laveste IP-klassifiseringen gjelder som en generell klassifisering for enheten.

- IPx4: Beskyttet mot vannsprut fra alle retninger.
- IP24: Beskyttet mot gjenstander som er større enn 12,5 mm, og beskyttet mot vannsprut fra alle retninger.
- IP44: Beskyttet mot gjenstander som er større enn 1 mm, og beskyttet mot vannsprut fra alle retninger.
- IP41: Beskyttet mot gjenstander som er større enn 1 mm, og beskyttet mot vertikalt dryppende vann.
- IP67: Støvtett og beskyttet mot midlertidig nedsenking i vann.

### 8.4 Miljøbetingelser

	Oppbevaring og transport	Bruk
Temperatur	-30 °C til +50 °C	+5 °C til +40 °C
Relativ luftfuktighet	10 % til 70 %	20 % til 90 % ved 30 °C – ikke-kondenserende
Atmosfærisk trykk	700 hPa til 1060 hPa	



Produktet må nå brukstemperatur før det tas i bruk:

- Oppvarming fra laveste oppbevaringstemperatur kan ta opptil 24 timer.
- Nedkjøling fra høyeste oppbevaringstemperatur kan ta opptil 24 timer.

---

# Innehållsförteckning

ÅTERFÖRSÄLJARE: Behåll den här manualen. Procedurerna i den här manualen får ENDAST utföras av en kvalificerad tekniker.

<b>1 Allmänt</b>	<b>84</b>
1.1 Inledning	84
1.1.1 Symboler som används i det här dokumentet	84
<b>2 Säkerhet</b>	<b>85</b>
2.1 Allmän säkerhetsinformation	85
2.2 Taklyftens huvuddelar	85
<b>3 Inställningar</b>	<b>86</b>
3.1 Montera taklyften i skensystemet	86
3.1.1 Montera Robin®	86
3.1.2 Montera Robin® Mover	86
<b>4 Underhåll</b>	<b>88</b>
4.1 Ladda batteriet	88
4.2 Batteriunderhåll	88
4.2.1 Förvaringsegenskaper	88
4.2.2 Förvaringstemperatur	88
4.2.3 Förvaringstid	88
4.2.4 Luftfuktighet vid förvaring	88
4.2.5 Återhämtning av batterikapaciteten	89
<b>5 Service</b>	<b>90</b>
5.1 Serviceintervall	90
5.2 Åtdragningsmoment	90
5.3 Kontrollista för servicebesiktning	91
<b>6 Instruktioner</b>	<b>92</b>
6.1 Demontera taklyften	92
6.1.1 Demontera Robin®	92
6.1.2 Demontera Robin® Mover	92
6.2 Byta ut handkontrollen	93
6.3 Ta bort lyftkåpan	93
6.4 Byta ut lyftband och krokar	93
6.5 Byta batteriet	93
6.6 Byta kretskort	94
6.7 Byta säkring	94
6.8 Justera solenoiden så att lyften kan röra sig fram och tillbaka	94
6.9 Justera reglaget för lösa lyftband	95
6.10 Byta ut tvåhastighetsreglaget	96
6.11 Byta kontaktskiva i Robin® Mover	96
<b>7 Felsökning</b>	<b>97</b>
7.1 Felsökningstabell	97
7.2 Indikatorlampa och ljudsignal	98
7.3 Kontrollera funktionen för lösa lyftband	98
7.4 Kontrollera tvåhastighetsfunktionen	98
7.5 Läsa av spänningen	98
<b>8 Teknisk Data</b>	<b>100</b>
8.1 Skensystemet	100
8.2 Mått och vikt	100
8.3 Elektriskt system	100
8.4 Användningsmiljö	101

# 1 Allmänt

## 1.1 Inledning

Den här manualen innehåller viktig information om montering, justering och avancerat underhåll av produkten. Läs igenom den noga och följ säkerhetsinstruktionerna för att försäkra dig om att du hanterar produkten på ett säkert sätt.

Bruksanvisningen finns på hemsidan för Invacare. Du kan också kontakta ett ombud för Invacare. Adresser finns i slutet av den här manualen.

Invacare förbehåller sig rätten att ändra produktspecifikationerna utan ytterligare meddelande.

Kontrollera att du har den senaste versionen av den här manualen innan du läser den. Du hittar den senaste versionen som PDF-fil på webbplatsen för Invacare.

Säljinformation och användarinformation finns i bruksanvisningen.

Kontakta en Invacare-representant om du vill ha mer information om produkten, till exempel produktsäkerhetsmeddelanden och produktåterkallelser. Adresser finns i slutet av det här dokumentet.

### 1.1.1 Symboler som används i det här dokumentet

Symboler och signalord som används i det här dokumentet och gäller för faror eller farliga förfaranden som kan leda till personskador eller skador på egendom. Symbolerna definieras nedan.



#### VARNING

Anger en riskfylld situation som kan leda till allvarlig skada eller dödsfall om den inte undviks.



#### FÖRSIKTIGT

Anger en riskfylld situation som kan leda till lättare skada om den inte undviks.



#### VIKTIGT

Anger en riskfylld situation som kan leda till produktskada om den inte undviks.



#### Tips och rekommendationer

Ger användbara råd, rekommendationer och information för en effektiv och problemfri användning.

## 2 Säkerhet

### 2.1 Allmän säkerhetsinformation



#### VARNING!

##### Risk för personskador och sakskada

- Procedurerna i denna manual ska endast utföras av en kvalificerad tekniker.
- Använd endast originaltillbehör och originalreservdelar.
- Hantera inte produkten eller någon tillvalsutrustning innan du har läst och förstått de här instruktionerna och eventuellt ytterligare instruktionsmaterial som bruksanvisningar, installationsmanualer eller instruktionsblad som medföljer produkten eller tillvalsutrustningen.
- Kontrollera att alla muttrar har dragits åt ordentligt och att alla delar fungerar korrekt vid varje montering.



#### VARNING!

##### Risk för kontaminering

- Rengör och desinficera produkten noggrant före service.



#### VIKTIGT!

Montering av tillbehör beskrivs eventuellt inte i den här servicemanualen. Se manualen som medföljer tillbehöret.

- Ytterligare manualer kan beställas från Invacare. Adresser finns i slutet av det här dokumentet.



#### VIKTIGT!

Vissa reservdelar kan endast köpas som en del av en sats. Använd alltid hela den nya satsen när komponenten byts ut.

- Reservdelar kan beställas från Invacare. Besök din lokala Invacare-webbplats för att hitta den elektroniska reservdelskatalogen (ESPC).



#### VIKTIGT!

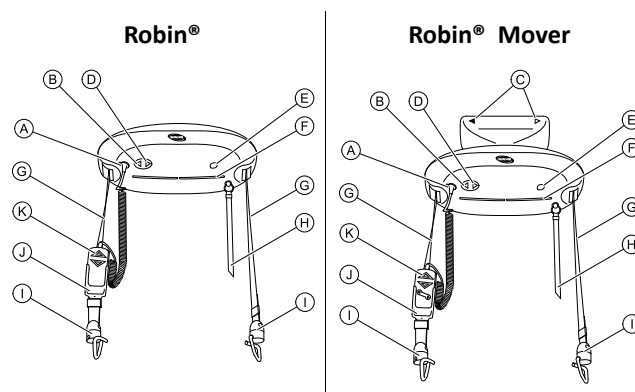
Mer information om denna produkt finns i bruksanvisningen på

- Tekniska data
- Produktkomponenter
- Märkning
- Ytterligare säkerhetsinstruktioner
- Instruktioner för rengöring och desinfektion



Informationen i det här dokumentet kan ändras utan föregående meddelande.

### 2.2 Taklyftens huvuddelar




(A)	Anslutning till handkontroll
(B)	Kontrollknappen UPP
(C)	Riktningsspilar på Robin® Mover
(D)	Kontrollknappen NER
(E)	Anslutning till externt reservbatteri
(F)	Indikatorlampa
(G)	Lyftband
(H)	Rött nödstoppsband
(I)	lyftbandskrokar
(J)	Hållare till handkontroll (tillval)
(K)	Handkontroll

## 3 Inställningar


### 3.1 Montera taklyften i skensystemet

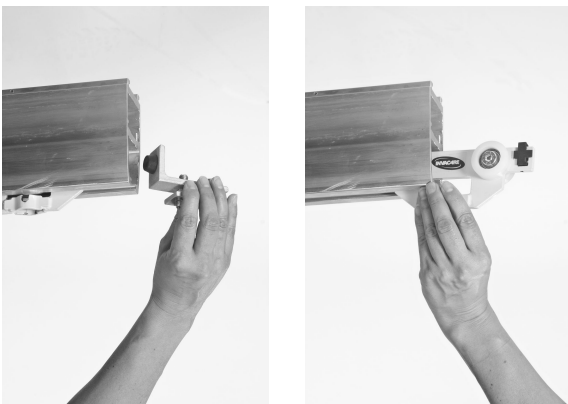
Till Robin® behövs en åkvagn som förflyttar taklyften i skensystemet. På RobinMover™ är åkvagnen inbyggd och kan monteras direkt i skensystemet.

#### 3.1.1 Montera Robin®


 Verktyg: 4 mm insexnyckel, 17 mm hylsnyckel

1. När du ska montera åkvagnen måste du ta bort ändstoppet som sitter på skensystemet.

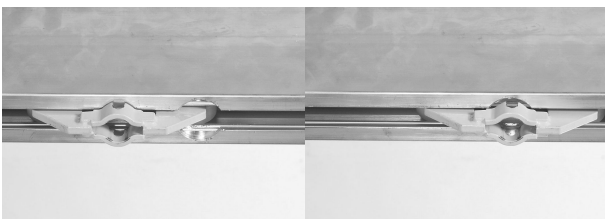
 I vissa länder/regioner måste ändstoppen monteras med dubbla fästen. Om det finns en extra skruv ska du ta bort den skruven först.



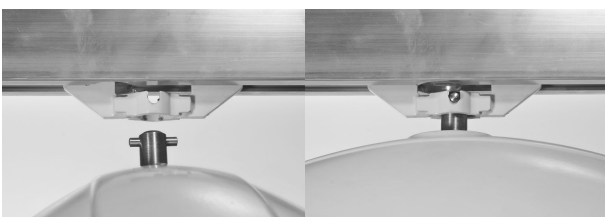
2. Skjut in åkvagnen i skenan (åt vilket håll som helst, åkvagnen är symmetrisk).
3. Sätt tillbaka ändstoppet.

 I vissa länder/regioner måste ändstoppen monteras med dubbla fästen. Om en extra skruv behövs måste du först montera den skruven. Se även *Ändstopp*.

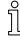
4. Placera lyftåkvagnen vid den runda fördjupningen med 32 mm omkrets i skenan.



5. Lyft upp lyften och tryck in upphängingsprinten genom öppningen i åkvagnen.




6. Vrid lyften 90 grader så att den låses fast i åkvagnen.
7. Anslut handkontrollen.
8. Justera längden på nödstopps-/nödsänkingsbandet så att det är inom räckhåll för användaren.

 Om åkvagnen rör sig trögt eller kommer i självvullning på grund av att skenupphängningen inte är balanserad ska du justera friktionsbromsen med en 4 mm insexnyckel.



#### 3.1.2 Montera Robin® Mover


Eftersom åkvagnen är inbyggd i lyften kan den inte förmonteras i skenan.

 Verktyg: 4 mm insexnyckel, 17 mm hylsnyckel

1. Ta bort ändstoppet.



2. Skjut in lyftens hjul i skenan.

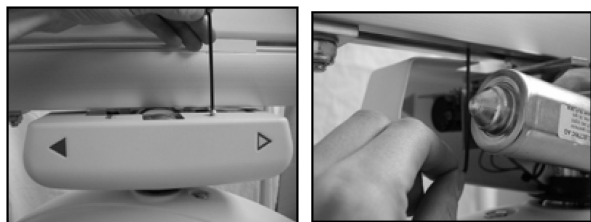
 Lyftens riktning spelar ingen roll vid monteringen.



3. Sätt i ändstoppet.

 Dra åt bulten till 30 Nm.

- Om det går trögt att dra lyften eller om den rör sig för mycket och kommer i självrullning ska du justera friktionsbromsen.




- Anslut handkontrollen.
- Justera längden på nödstops-/nödsänkkningsbandet så att det är inom räckhåll för användaren.


## 4 Underhåll

### 4.1 Ladda batteriet

Vid låg batterinivå hörs en ljudsignal och indikatorlampan på taklyftens undersida blinkar (se även 7.2 *Indikatorlampan och ljudsignal, Sida 98*). När detta händer brukar det finnas tillräckligt med batterikapacitet för att sänka ned patienten.

 Det går inte att använda lyften medan batteriet laddas.

1. Avsluta det pågående lyftet  
Om det pågående lyftet får batteriet att laddas ur helt kan du tillfälligt köra lyften med en extern batteribackup. Se *Använda det externa reservbatteriet*.
2. Förflytta taklyften till laddningsstationen.
3. Kontrollera att manöverdosan och laddningsstationen är rena och torra innan laddning.
4. Sätt manöverdosan i laddningsstationen.  
En gul indikatorlampan tänds på laddaren och visar att manöverdosan är ansluten. En röd indikatorlampan lyser medan batteriet laddas.
5. När batteriet är fulladdat växlar indikatorlampan på laddaren till grönt.  
Den tid som taklyften inte används ska manöverdosan förvaras i laddningsstationen.
6. När du ska använda taklyften lyfter du manöverdosan från laddaren.

 Genom att hålla batterierna laddade säkerställer du att lyften fungerar och att batterierna underhålls för längre livslängd.

Om ljudsignalen hörs och den blå indikatorlampan på lyften blinkar trots att batteriet är fulladdat och lyften endast har använts en kort tid kan batteriet behöva underhåll eller bytas ut. Se 4.2 *Batteriunderhåll, Sida 88*.

Om taklyften ska stå oanvänd under mer än fyra veckor rekommenderar Invacare att du drar ut kontakten till laddaren och aktiverar nödstoppet.

Laddaren är ansluten till eluttaget via en nätkabel. Nätkabeln ska vara lättåtkomlig och det ska gå att dra ut den om det behövs.

### 4.2 Batteriunderhåll

Om ljudsignalen hörs och den blå indikatorlampan på lyften blinkar trots att lyftens batteri är fulladdat och endast har använts en kortare tid kan batteriet behöva underhåll.


Batteriet behöver underhåll med jämna mellanrum så att det kan laddas helt.

Underhåll kan också behövas efter en längre tids förvaring av batteriet.

I situationer då lyften används sällan och/eller handkontrollen förvaras i laddaren under en längre tid rekommenderas också underhåll. I dessa fall finns det batterikapacitet för ett fåtal lyft men underhåll av batteriet bör utföras så snart som möjligt därefter.

Underhåll av batteriet kan utföras genom att man laddar och laddar ur det helt ett antal gånger.

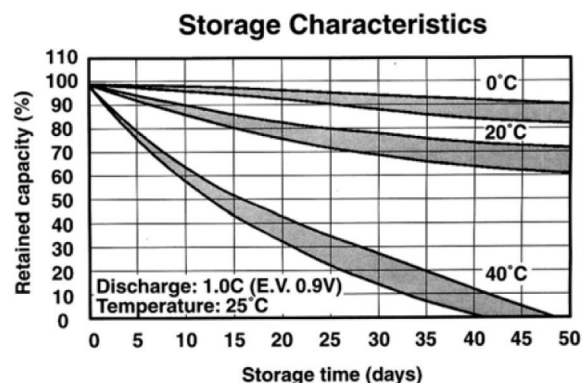
1. Ladda batteriet tills den gröna lampan lyser.
2. Lyft handkontrollen från laddaren.
3. Höj och sänk lyftbanden med last under en minut.
4. Vänta tio minuter.
5. Upprepa punkt 3 till 4 tills batteriet är helt urladdat.

 Fortsätt även när ljudsignalen hörs och den blå lampan blinkar som tecken på att batterikapaciteten är låg.

6. Upprepa punkt 1 till 5 två eller tre gånger.

#### 4.2.1 Förvaringsegenskaper

Alla laddningsbara battericeller laddas ur över tid oavsett om de används eller inte. Kapacitetsförlusten beror på inre kemiska processer inuti battericellen. Storleken på förlusten (självurladdningen) beror på cellens kemiska sammansättning och den omgivande temperaturen omkring cellen. Eftersom självurladdningen är temperaturkänslig kan även små skillnader i förvaringstemperatur leda till stora urladdningar som kan vara svåra eller omöjliga att återställa. Problemen vid förvaring av battericeller och batterier är kopplade till dels den hastighet med vilken battericellerna förlorar kapacitet efter laddningen, dels batteriernas förmåga att laddas och laddas ur "normalt" efter en längre tids förvaring. I båda fallen kan de allmänna riktlinjerna för nickel-kadmium-celler även användas för nickel-metallhydridceller.



#### 4.2.2 Förvaringstemperatur

Batteriets självurladdning ökar vid höga temperaturer. När batterierna förvaras en längre tid försämrar batterimaterialet snabbare och elektrolytläckaget ökar, vilket leder till en förkortad livslängd för batteriet. Vid längre tids förvaring ska batterierna förvaras vid rumstemperatur eller lägre (0–30 °C eller 32–86 °F).

#### 4.2.3 Förvaringstid

När batteriet förlorar kapacitet under förvaringen sjunker även batterispänningen. I regel går det att återhämta den batterikapacitet som förloras på grund av självurladdning under förvaringen genom att man laddar batteriet. Om batteriet har förvarats i mer än sex månader bör du ladda batteriet med flera laddningscykler så att batterikapaciteten återställs. Goda lagringsrutiner ska användas (först in, först ut) så att batterierna förvaras så kort tid som möjligt.

#### 4.2.4 Luftfuktighet vid förvaring

Metalldelar läcker och rostar i högre grad i miljöer med hög luftfuktighet, särskilt vid höga temperaturer.



Förvaring vid hög luftfuktighet och höga temperaturer rekommenderas inte.

#### **4.2.5 Återhämtning av batterikapaciteten**

Vid normala förvaringsförhållanden har battericellerna full kapacitet när de laddas med standardmetod efter första

urladdningen. Cellerna i batterier som förvaras under en längre period eller vid höga temperaturer kan behöva flera laddningscykler innan de återfår samma kapacitet som före förvaringen. Kontakta tillverkaren om batterierna har förvarats under en längre tid och du behöver återställa kapaciteten snabbt.

## 5 Service

### 5.1 Serviceintervall

Service måste utföras åtminstone var 12:e månad samt i enlighet med kontrollistan för servicebesiktning, om inte något annat anges i lokala krav. När den årliga eller regelbundna servicen genomförs ska alla delar som är avsedda för att bära last minst testas med den högsta tillåtna lasten. Alla säkerhetsfunktioner måste kontrolleras i enlighet med ISO 10535:2006 bilaga B.

Inspektionsfrekvensen måste ökas om produkten kontinuerligt utsätts för hög luftfuktighet, hög kondensation och frätande ämnen (t.ex. klor- eller ammoniakgaser) för att förhindra att produktens funktion försämras.

### 5.2 Åtdragningsmoment



#### VIKTIGT

Dra inte åt fästelementen för hårt eftersom detta kan skada produkten.

Om inget annat anges i de specifika instruktionerna gäller följande riktlinjer:

Gänga	Åtdragningsmoment i Nm $\pm 10$ %
M4	3 Nm
M5	6 Nm
M6	10 Nm
M8	25 Nm
M10	49 Nm
M12	80 Nm
M16	180 Nm

## 5.3 Kontrollista för servicebesiktning

### Skensystem

- Kontrollera att alla fästen sitter ordentligt fast i taket/väggen. Dra åt vid behov.
- Kontrollera förstärkningen. Om det inte går, gör ett belastningstest med 1,5 x märklasten i 20 minuter.
- Kontrollera och dra åt ändstoppen.
- System med spåranslutningar: Kontrollera om anslutningen har blivit felinriktad under användningen. Rikta om vid behov.
- Kontrollera åkvagnen och traversåkvagnen.
- Kontrollera att åkvagnens hjul fungerar smidigt och utan avvikande ljud.
- Kontrollera justeringen av åkvagnarnas friktionsbromsar. Justera vid behov.
- Utför ett belastningstest med märklasten genom hela systemet.
- Klistra fast en etikett med datum för nästa besiktning.

### Skensystem med transitkopplingar:

- Kontrollera låsfästena:
  - kursstabiliteten är låst
  - hakarna rör sig oberoende av varandra
  - kursstabilitetsspåren är riktade
  - inget som hindrar att de fungerar som de ska
  - säkerhetsplattan är monterad
- Kontrollera åkvagnens monteringsfästen.
- Kontrollera att kursstabiliteten är riktad. Rikta om vid behov.
- Funktionstest av transitkoppling/låsfäste (10 gånger – inaktivera vänster/höger hake x 5)
- Kontrollera att avståndet mellan spår och transitkoppling är högst 3 mm.
- Funktionstest med belastning (5 cykler med tillåten belastning).
- Kontrollera att mellanläggsplattan är monterad (skena L och M).

### Taklyft

- Kontrollera upphängnings- och korssprint.
- Kontrollera att kugghjul i metall och plast inte är skadade eller slitna. Om kugghjulen är torra, applicera smörjmedel.
- Kontrollera sensorn för lösa lyftband och justera vid behov.
- Kontrollera att banden inte är skadade eller slitna.
- Kontrollera styrcylindern och ändstoppen.
- Kontrollera att lyftkrokar, skruvar och sprintar inte är skadade eller slitna.
- Kontrollera att lyften är märkt med högsta tillåtna belastning.
- Kör en fullständig lyftcykel med märklast – lyften måste gå smidigt och utan missljud.
- Klistra fast en etikett med datum för nästa besiktning.

### Elektriska kopplingar

- Kontrollera att alla kablar är intakta.
- Kontrollera att kablar och isolering inte är skadade.
- Kontrollera att mikrobrytarna aktiveras och att mekaniken fungerar.
- Kontrollera att laddaren fungerar och inte är skadad.
- Kontrollera att manöverdosan fungerar och inte är skadad. Se till att manöverdosan är ansluten på rätt sätt.
- Kontrollera nödstoppet.
- Kontrollera nödsänkningfunktionen.

Serienummer:	
Besiktningsdatum:	
Besiktigad av:	
Anmärkningar:	

## 6 Instruktioner

### 6.1 Demontera taklyften

#### 6.1.1 Demontera Robin®

Ta bort taklyften från åkvagnen



1. Lyft upp lyften en aning och tryck ut upphängningssprinten ur hållaren i åkvagnen.
2. Vrid lyften 90 grader och dra den uppåt och ut ur åkvagnen.

Ta bort åkvagnen från skenan

1. Ta bort ändstoppet.
2. Dra ut åkvagnen ur skenan.

#### 6.1.2 Demontera Robin® Mover


1. Dra i nödstopsbandet så att inte taklyften aktiveras av misstag efter att den har monterats ned från skenan.
2. Ta bort ändstoppet.



3. Dra ut lyfthjulen ur skenan.



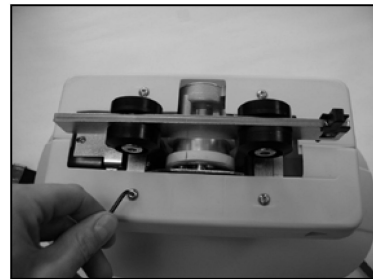
4. Sätt i ändstoppet.

 Dra åt bulten till 30 Nm.

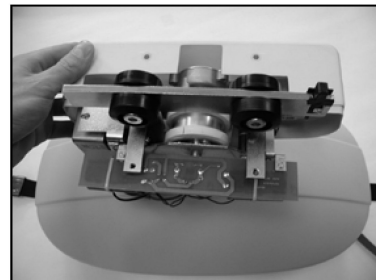


5. Gör så här om du ska ta bort lyften från motorn:
  - i När du byter batterier eller utför service måste du ta bort lyften från motorn.

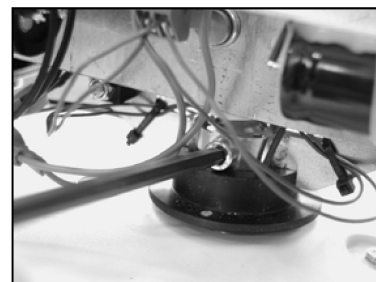
- a. Skruva loss skruvarna som håller fast plasthöljerna vid motorn.



- b. Dra isär plasthöljerna och ta bort dem från motorn.



- c. Skruva loss skruvarna M6 som håller fast motorn vid lyften.



- d. Separera motorn från lyften.

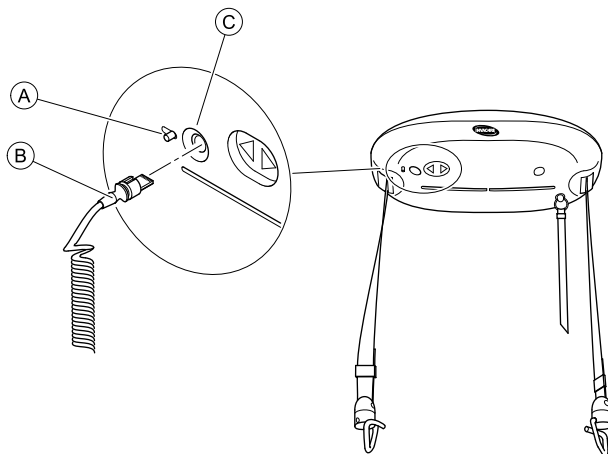


**FÖRSIKTIGT!****Risk för skador på produkten**

Det går att ta bort lyften från motorn utan att ta bort motorn från skensystemet. Så här undviker du att lyften skadas:

- Lyften måste stå med stöd när du tar bort skruven M6.

## 6.2 Byta ut handkontrollen



1. Skjut låsspaken **A** från öppningen **C** och håll fast låsspaken.
2. Dra ut kontakten **B** ur öppningen.
3. Sätt i kontakten till den nya handkontrollen i öppningen. Se till att kontakten är vänd åt rätt håll med skåran uppåt (se bilden).
4. Släpp spaken **A** så att porten stängs och håller fast kontakten i öppningen.

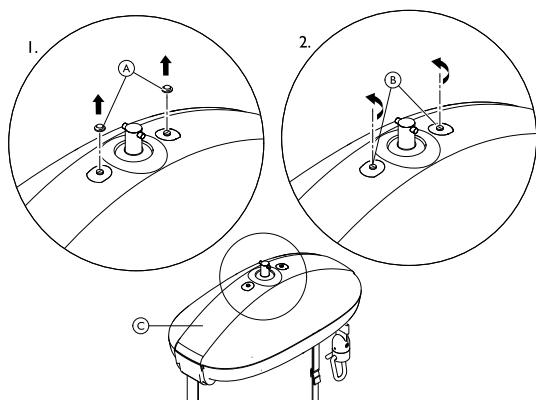
## 6.3 Ta bort lyftkåpan

Stäng av lyften genom att dra i det röda nödstopsbandet och ta bort lyften från systemet innan du tar bort lyftkåpan. Se:

- 6.1 *Demontera taklyften, Sida 92*



Verktyg: Skruvmejsel, rak



1. Ta bort skyddslocken **A**. Skruva för hand eller försiktigt med en skruvmejsel.
2. Lossa skruvarna **B** med skruvmejsel.
3. Ta bort kåpan **C** från lyften.

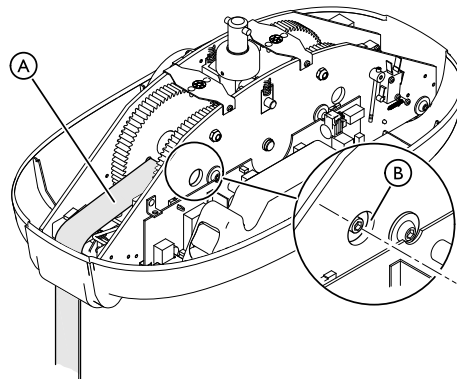
Stäng kåpan genom att dra åt skruvarna och sätta tillbaka skyddslocken.

## 6.4 Byta ut lyftband och krokar



Verktyg: 10 mm hylsnyckel, 5 mm sexkants-/insexnyckel

1. Sänk ned banden till den lägsta nivån med handkontrollen medan taklyften är i spåret.
2. Aktivera nödstoppet genom att dra i det röda nödstopsbandet. Använd inte nödsänkingsfunktionen.
3. Ta bort lyften från spåret. Se 6.1 *Demontera taklyften, Sida 92*.
4. Ta bort kåpan. Se 6.3 *Ta bort lyftkåpan, Sida 93*.
5. Återställ nödstoppet med återställningsknappen.
6. Kontrollera att lyftbandet **A** är helt utrullat som på bilden. Om inte ska du rulla ut banden med knappen UP/DOWN på handkontrollen.
7. Ställ in lyftbandsskruvarna **B** i höjd med öppningen i ramen med knappen UP/DOWN på handkontrollen.



8. Dra i det röda nödstopsbandet på nytt.
9. Ta bort lyftbandsskruvarna med en 10 mm hylsnyckel och en 5 mm sexkants-/insexnyckel.
10. Dra ut lyftbandet genom styrcylindern.
11. För in ett nytt lyftband genom styrcylindern och montera med lyftbandsskruvarna (vridmoment: 4 Nm). Se till att det nya lyftbandet matas över vajern till reglaget för lösa lyftband.
12. Sätt tillbaka kåpan, montera lyften i spåret och återställ nödstoppet.

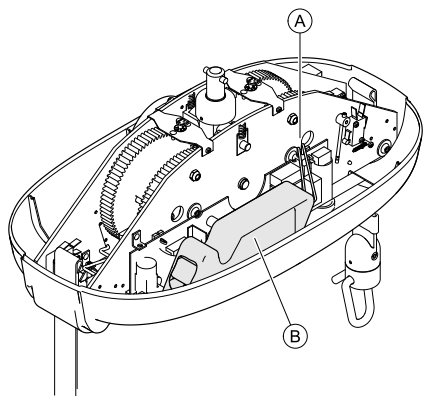
## 6.5 Byta batteriet

**FÖRSIKTIGT!**


Statisk elektricitet kan skada kretskorten inne i lyften.

Innan du utför arbete inuti lyften:

- Stäng av lyften genom att dra i det röda nödstoppet.
- Ta bort lyften från spårsystemet. (Se 6.1 *Demontera taklyften, Sida 92*.)
- Ta bort kåpan från lyften. (Se 6.3 *Ta bort lyftkåpan, Sida 93*.)
- Antistatmatta måste användas vid arbete inuti taklyften.



1. Dra ut ledningarna (A).
2. Ta loss batteripacket (B).
3. Sätt i ett nytt batteripack.

 Endast batterier som rekommenderas av Invacare får användas.

4. Sätt i ledningarna (A).
5. Sätt tillbaka lyften och återställ nödstoppet.

## 6.6 Byta kretskort

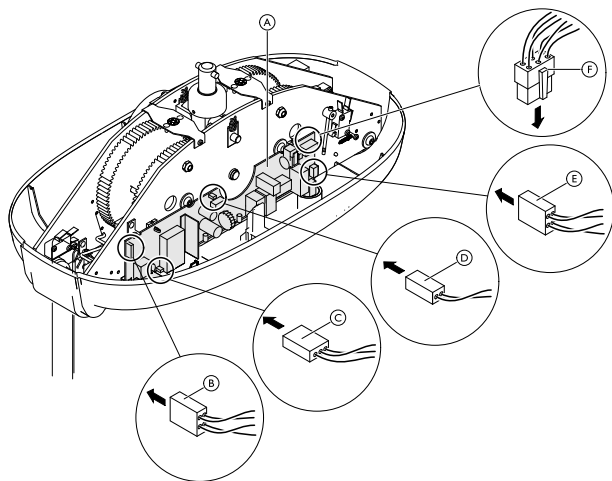


### FÖRSIKTIGT!

Statisk elektricitet kan skada kretskorten inne i lyften.

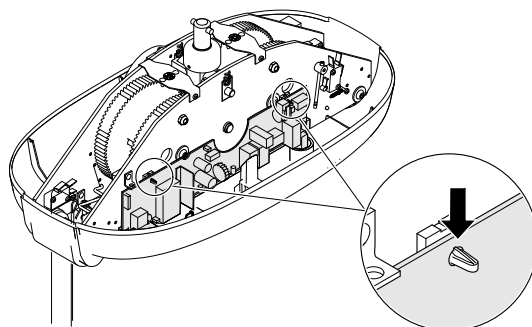
Innan du utför arbete inuti lyften:

- Stäng av lyften genom att dra i det röda nödstoppet.
- Ta bort lyften från spårsystemet. (Se 6.1 *Demontera taklyften, Sida 92.*)
- Ta bort kåpan från lyften. (Se 6.3 *Ta bort lyftkåpan, Sida 93.*)
- Antistatmatta måste användas vid arbete inuti taklyften.



1. Ta ut batteriet. Se punkt 1 och 2 i kapitel 6.5 *Byta batteriet, Sida 93.*
2. Ta bort ändlocken (B), (C), (D), (E) och (F) från kretskortet (A).

3. Lossa kretskortet (A) från hållarna genom att försiktigt trycka ned låsklämmorna. Lyft upp kretskortet en aning och bort från plattan på ramen.



4. Ta ut kretskortet genom att lyfta det uppåt.
5. Placera det nya kretskortet i ramen och tryck lätt mot plattan på ramen så att hållarna knäpper fast.
6. Montera ändlocken (B), (C), (D), (E) och (F) på det nya kretskortet.
7. Sätt tillbaka batteriet, montera lyften på nytt och återställ nödstoppet.

## 6.7 Byta säkring



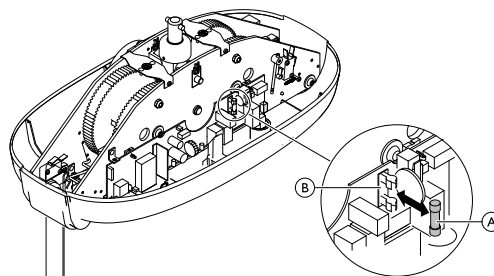
### FÖRSIKTIGT!


Statisk elektricitet kan skada kretskorten inne i lyften.

Innan du utför arbete inuti lyften:

- Stäng av lyften genom att dra i det röda nödstoppet.
- Ta bort lyften från spårsystemet. (Se 6.1 *Demontera taklyften, Sida 92.*)
- Ta bort kåpan från lyften. (Se 6.3 *Ta bort lyftkåpan, Sida 93.*)
- Antistatmatta måste användas vid arbete inuti taklyften.

1. Ta bort handkontrollen. Se kapitel 6.2 *Byta ut handkontrollen, Sida 93.*
2. Ta ut batteriet. Se punkt 1 till 3 i kapitel 6.5 *Byta batteriet, Sida 93.*
3. Dra försiktigt säkringen (A) rakt ut från hållaren (B).



4. Sätt i en ny säkring.  
 Endast säkringar med märkdata 10 A 250 V trög får användas.
5. Sätt tillbaka batteriet, sätt tillbaka lyften, sätt i handkontrollen och återställ nödstoppet.

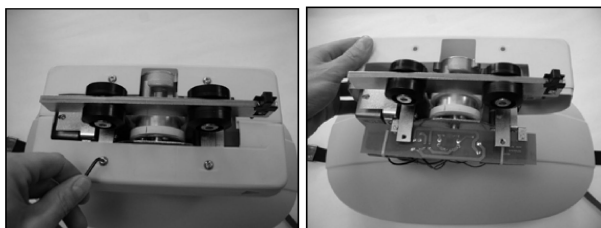
## 6.8 Justera solenoiden så att lyften kan röra sig fram och tillbaka

Endast Robin® Mover

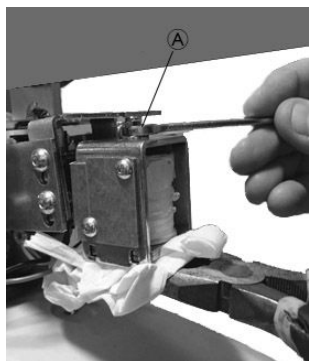


4 mm insexnyckel, 7 mm fast nyckel

1. Dra i det röda nödstoppet.
2. Låt taklyften stå kvar på spåret och ta bort båda plasthöljerna:



- a. Skruva loss skruvarna som håller fast plasthöljerna vid motorn.
  - b. Dra isär plasthöljerna och ta bort dem från motorn.
3. Skydda solenoidspärren med en trasa medan du klämmer åt om greppen.  
Lossa muttern **A** med en 7 mm fast nyckel genom att skruva den moturs två hela varv.



4. Testa genom att hålla fast lyften med ena handen samtidigt som du trycker på knapparna för vänster och höger på handkontrollen.  
Det vita drivhjulet ska ha god kontakt med spårets undersida. Om inte, upprepa punkt 3.
5. Montera plasthöljerna på nytt. Kontrollera att riktningen är rätt och att det finns utrymme så att plattan ovanför solenoiden kan röra sig obehindrat uppåt och nedåt. Se bilderna under punkt 2.

## 6.9 Justera reglaget för lösa lyftband



### FÖRSIKTIGT!

Statisk elektricitet kan skada kretskorten inne i lyften.

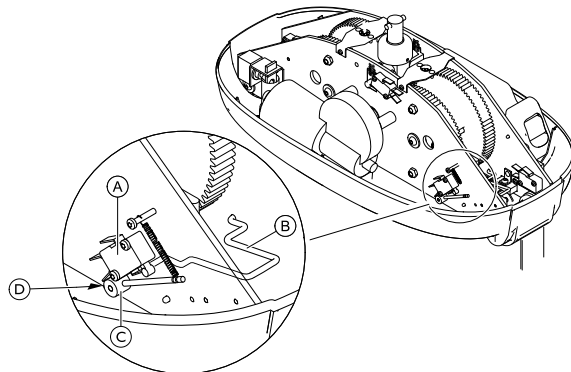
Innan du utför arbete inuti lyften:

- Stäng av lyften genom att dra i det röda nödstoppet.
- Ta bort lyften från spårsystemet. (Se 6.1 *Demontera taklyften, Sida 92.*)
- Ta bort kåpan från lyften. (Se 6.3 *Ta bort lyftkåpan, Sida 93.*)
- Antistatmatta måste användas vid arbete inuti taklyften.

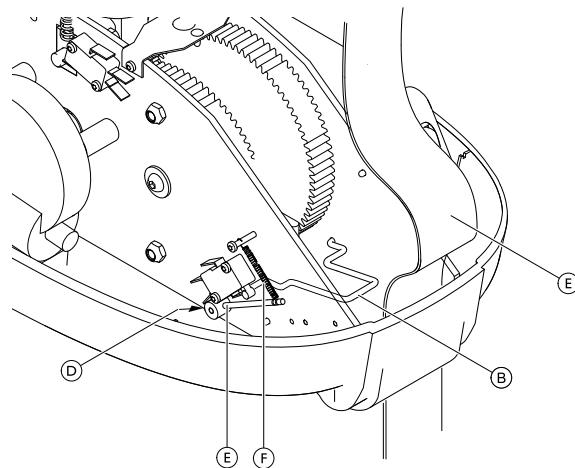


2 mm insexnyckel

1. Ställ lyften på ett underlag (till exempel ett bordshörn) så att lyften har stöd men lyftbanden och handkontrollen hänger fritt. Se till att lyften står säkert utan risk för att glida/falla från bordet.
2. Leta upp reglaget för lösa lyftband **A** och kontrollera att det finns ett avstånd mellan flänsen **C** och ramen.



- a. Om inte: Håll fast vajern för lösa lyftband **B** och flänsarmen. Lossa flänsens skruvstift **D** med en 2 mm insexnyckel.
  - b. Gör utrymme mellan flänsen och ramen.
  - c. Dra åt flänsens skruvstift på nytt.
3. Testa funktionen för lösa lyftband. Se kapitel 7.3 *Kontrollera funktionen för lösa lyftband, Sida 98.* Testet kan utföras medan lyften står kvar på bordet. Om felet har åtgärdats kan du montera lyften på nytt. Om inte ska du gå vidare till punkt 4.
  4. Justera den lösa lyftbandsvajern:



- a. Lossa skruvstiftet **D** med en 2 mm insexnyckel. Observera att fjädern **F** drar flänsarmen **C** mot reglaget så att kretsen är öppen.
  - b. Lyft av lyftbandet **E** från den lösa lyftbandsvajern **B** och lyft upp den lösa lyftbandsvajern.
  - c. Dra åt flänsens skruvstift **D**.
5. Testa funktionen för lösa lyftband. Se kapitel 7.3 *Kontrollera funktionen för lösa lyftband, Sida 98.* Testet kan utföras medan lyften står kvar på bordet.
  6. Om felet har åtgärdats, montera lyften på nytt och återställ nödstoppet.

## 6.10 Byta ut tvåhastighetsreglaget



### FÖRSIKTIGT!

Statisk elektricitet kan skada kretskorten inne i lyften.

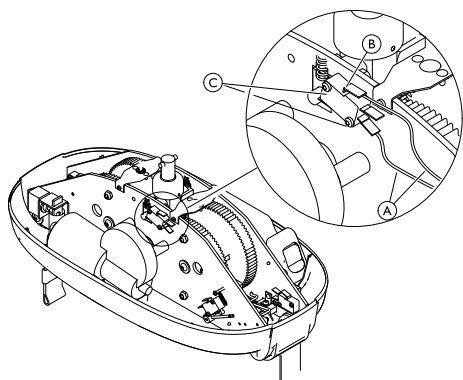
Innan du utför arbete inuti lyften:

- Stäng av lyften genom att dra i det röda nödstoppet.
- Ta bort lyften från spårsystemet. (Se 6.1 *Demontera taklyften, Sida 92.*)
- Ta bort kåpan från lyften. (Se 6.3 *Ta bort lyftkåpan, Sida 93.*)
- Antistatmatta måste användas vid arbete inuti taklyften.



Torxmejsel T10

1. Ställ lyften på ett underlag (till exempel ett bordshörn) så att lyften har stöd men lyftbanden och handkontrollen hänger fritt. Se till att lyften står säkert utan risk för att glida/falla från bordet.
2. Ta bort de två gula kablarna **A** från tvåhastighetsreglaget **B**.



3. Ta bort de båda skruvarna **C**.
4. Skruva fast det nya tvåhastighetsreglaget med skruvarna **C**. Anslut de gula kablarna **A**. Se till att de är anslutna till den övre och nedre anslutningsplinten.
5. Sätt tillbaka lyften och återställ nödstoppet.

## 6.11 Byta kontaktskiva i Robin® Mover



### FÖRSIKTIGT!

Statisk elektricitet kan skada kretskorten inne i lyften.

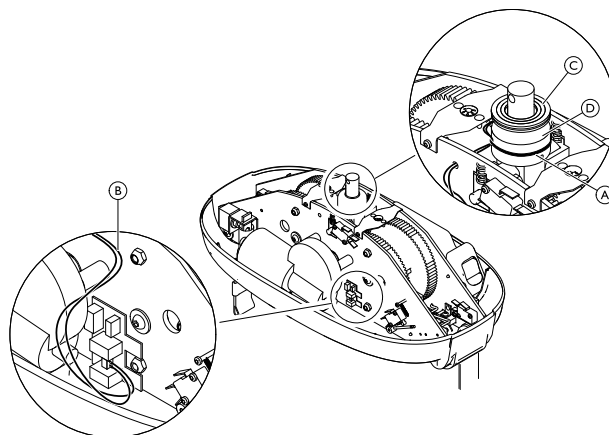
Innan du utför arbete inuti lyften:

- Stäng av lyften genom att dra i det röda nödstoppet.
- Ta bort lyften från spårsystemet. (Se 6.1 *Demontera taklyften, Sida 92.*)
- Ta bort kåpan från lyften. (Se 6.3 *Ta bort lyftkåpan, Sida 93.*)
- Antistatmatta måste användas vid arbete inuti taklyften.

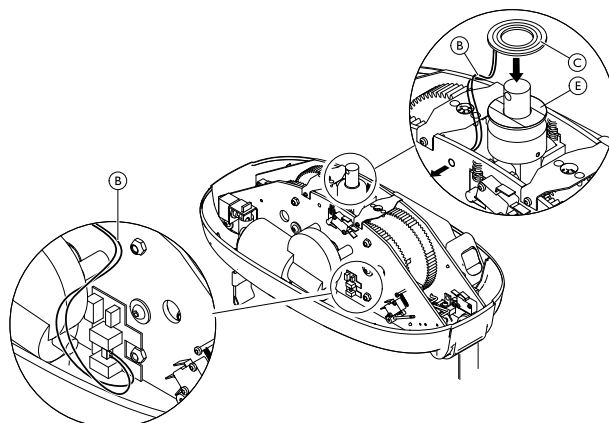


Skruvmejsel

1. Ta bort buntbandet **A**.
2. Koppla bort kontaktskivans kablar **B** från kretskortet i Robin® Mover med en plintmejsel. Observera att brun kabel är överst och blå kabel är underst. Mata ut kablarna genom plattan på ramen.



3. Ta försiktigt loss hela kontaktplattan **C** från underredet **D** genom att ta bort den självhäftande tejen.
4. Ta bort alla rester av självhäftande tejp.
5. Sätt dit ny självhäftande tejp **E** och en ny kontaktplatta **C**.



6. Mata in kablarna **B** genom plattan på ramen och anslut dem till kretskortet i Robin® Mover.
7. Sätt tillbaka lyften och återställ nödstoppet.



## 7 Felsökning

### 7.1 Felsökningstabell

TECKEN	PROBLEM	LÖSNING
Taklyften reagerar inte på handkontrollens knappar och knapparna upp/ned på lyften fungerar inte.	Nödstoppet har aktiverats	Återställ nödstoppet. (Se bruksanvisningen.)
	Systemet saknar strömtillförsel eller batteriet är urladdat	Ladda batteriet eller använd extrabatteriet. Se 4.1 Ladda batteriet, Sida 88.
	En säkring har gått	Byt ut säkringen. Se 6.7 Byta säkring, Sida 94.
Taklyften reagerar inte på handkontrollens knappar men knapparna upp/ned på lyften fungerar.	Handkontrollen är inte ordentligt ansluten	Kontrollera att handkontrollskabeln är ordentligt ansluten till lyften. Se 6.2 Byta ut handkontrollen, Sida 93.
	Fel på handkontrollen	Byt ut handkontrollen. Se 6.2 Byta ut handkontrollen, Sida 93.
Lyftbanden går att köra nedåt men inte uppåt.	Batteriet är nästan urladdat	Ladda batteriet eller använd extrabatteriet. Se 4.1 Ladda batteriet, Sida 88.
	För hög belastning	Minska belastningen. Lyften är utrustad med överströmsskydd.
Lyftbanden går att köra uppåt men inte nedåt.	Fel på handkontrollen	Byt ut handkontrollen. Se 6.2 Byta ut handkontrollen, Sida 93.
	Funktionen för lösa lyftband har aktiverats	Kontrollera funktionen för lösa lyftband. Se 7.3 Kontrollera funktionen för lösa lyftband, Sida 98.
Lyftens hastighet är oförändrad med och utan last	Höghastighetsfunktionen utan last har aktiverats permanent	Kontrollera höghastighetsreglaget. Se 7.4 Kontrollera tvåhastighetsfunktionen, Sida 98.
Lyftbanden har vridit sig och rätas inte ut.	lyftbandskrokarna svänger inte tillräckligt fritt	Rengör krokarna eller byt ut banden.
	Lyftbanden är fransiga	Byt ut lyftbanden. Se 6.4 Byta ut lyftband och krokar, Sida 93.
Taklyften rör sig inte i tvärgående riktning på skenan.	Skenan behöver service eller rengöring	Inspektera skensystemet
	Drivhjulen är slitna eller skadade (endast Robin® Mover)	Justera drivhjulen.
	Handkontrollen är defekt	Byt ut handkontrollen.
Taklyften avger höga ljud när den aktiveras.	Fel på hjullager, kuggjul eller motor	Byt ut lyften.
Taklyften laddas inte	Systemet saknar strömtillförsel	Sätt handkontrollen i laddningsstationen och ladda taklyften
		Kontrollera att elnätet fungerar och att enheten är ansluten till laddningsstationen.
Ingen indikatorlampa lyser på lyften	Systemet saknar strömtillförsel eller batteriet är urladdat.	Kontrollera att taklyften är ansluten till elnätet och att batteriet är laddat.
		Kontrollera att elnätet fungerar och att enheten är ansluten till laddningsstationen.
		Sätt handkontrollen i laddningsstationen och ladda taklyften.
Lyften stängs inte av med det röda nödstoppsbandet	Lyften behöver service.	Kontakta Invacares ombud för reparation.
Lyften sänks inte nedåt med det röda nödstoppsbandet.	Lyften behöver service.	Kontakta Invacares ombud för reparation.



Kontakta Invacares ombud om problemen inte går att lösa med de föreslagna åtgärderna.

## 7.2 Indikatorlampa och ljudsignal

### Lyft

Status	Indikatorlampa	Ljudsignal
Av/vänteläge Lyften i tvärgående rörelse (endast Robin® Mover)	Lyser inte	Nej
Lyften i rörelse (upp/ned)	Blå	Nej
Batteriet är tomt	Blå lampa blinkar	Ja

Den blå indikatorlampan på lyftens undersida stängs av automatiskt efter 30 sekunder.

### Väggmonterad laddare

Status	Indikatorlampa	Längd
Batteriet är inte anslutet	Gul	ej tillämpligt
Start och batterianalys	Gul	12–14 sekunder
Snabbladdning	Röd	5 min–3 timmar
Laddad (underhållsladdning)	Grön	ej tillämpligt
Fel (batterifel)	Växelvis röd och blå lampa	ej tillämpligt

## 7.3 Kontrollera funktionen för lösa lyftband





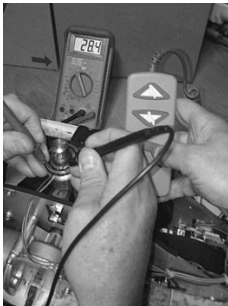
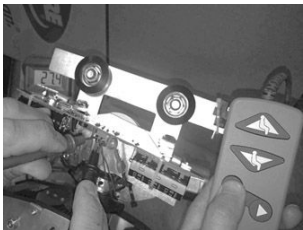
När reglaget för lösa lyftband är inställt på rätt sätt stannar banden om de rör vid ett hinder.

- Låt taklyften sitta i spåret och kontrollera att det inte finns något hinder under lyftbandskrokarna.
- Sätt ett hinder under den ena lyftbandskroken och håll nedåtknappen intryckt på handkontrollen.  
Förväntat resultat: När lyftkroken rör vid hindret stannar lyftbanden.
- Om lyftbandet INTE stannar ska du justera reglaget för lösa lyftband. Se kapitel 6.9 *Justera reglaget för lösa lyftband, Sida 95.*
- Upprepa punkt 2 och 3 med det andra lyftbandet.

## 7.4 Kontrollera tvåhastighetsfunktionen

- Håll uppåtknappen intryckt medan lyften är i spåret utan last och båda banden hänger fritt.  
Observera hastigheten (40 mm/s) och motorljudet.
- Fortsätt att hålla uppåtknappen intryckt och lasta lyften med minst 10 kg (t.ex. genom att dra båda banden nedåt).  
Kontrollera att hastigheten minskar (30 mm/s) och att motorljudet ändras.
- Om hastigheten inte minskar ska du byta ut tvåhastighetsreglaget. Se kapitel 6.10 *Byta ut tvåhastighetsreglaget, Sida 96.*

## 7.5 Läsa av spänningen

<p><b>Läsa av inmatningsspänningen</b></p> <p>Läs av batterispänningen till kretskortet.</p> <p>Förväntat resultat: 23–29 V</p>	
<p>Läs av spänningen till huvudströmbrytaren (de båda mittstiften)</p> <p>Förväntat resultat: 23–29 V</p>	
<p>Läs av spänningen till lyftens motor med knappen UPP eller NER intryckt på handkontrollen.</p> <p>Förväntat resultat: 23–29 V</p>	
<p>Läs av spänningen till drivenhetens kretskort. (Endast Robin® Mover.)</p> <p>Förväntat resultat: 23–29 V</p>	
<p>Läs av spänningen till kopparlyfttringarna med knappen VÄNSTER eller HÖGER intryckt på handkontrollen. (Endast Robin® Mover.)</p> <p>Förväntat resultat: 23–29 V</p>	
<p>Läs av spänningen till åkvagnens drivenhet med knappen VÄNSTER eller HÖGER intryckt på handkontrollen. (Endast Robin® Mover.)</p> <p>Förväntat resultat: 23–29 V</p>	

<b>Läsa av inmatningsspänningen</b>	
Läs av spänningen till åkvagnens drivenhetsmotor med knappen VÄNSTER eller HÖGER intryckt på handkontrollen. (Endast Robin® Mover.) Förväntat resultat: 23–29 V	
Läs av spänningen till solenoiden med knappen VÄNSTER eller HÖGER intryckt på handkontrollen. (Endast Robin® Mover.) Förväntat resultat: 23–29 V	

## 8 Teknisk Data

### 8.1 Skensystemet

Samtliga skenprofiler tillverkas i strängsprutad aluminium.

Skenorna finns i vit pulverlack.

Skenorna finns i tre olika höjder: S=68 mm, M=114 mm och L=183 mm med infästningsavstånd 2 m, 4 m respektive 8 m.

Profilbredden för samtliga tre profiler är 58 mm. Profilernas ovansida är formad så att skenorna passar i monteringsfästena.

Lyftskenan levereras med en urfräsning på undersidan. Urfräsningen används vid montering av lyften och kallas nyckelhål.

#### Monteringsalternativ

**Enkel skena** kan monteras i taket eller med vägg- och golvstolpe. Skenan kan monteras antingen parallellt med väggen eller i vinkel mot väggen.

**Traverssystemet** kan monteras i taket eller med vägg- och golvstolpe. Avståndet mellan parallellskenorna får vara upp till 8 000 mm.

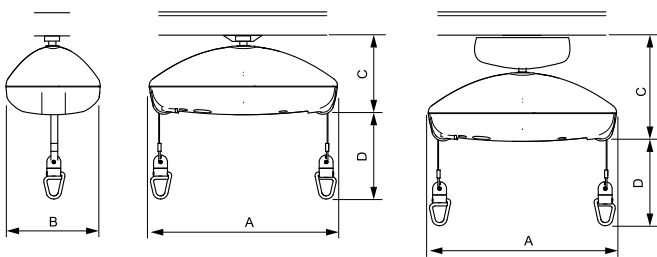
**Kurvor** finns med profil S och kan takmonteras. Kurvorna finns i 30, 45, 60 och 90 grader.

#### Speciallösningar

**Pendelmontering** används i följande situationer: När takhöjden varierar i skenans längsgående riktning eller när skenan måste försänkas.

**Diagonal montering** används när skenan måste monteras i annan vinkel än 90 grader.

### 8.2 Mått och vikt




#### Mått

	Robin®	Robin® Mover
Lyftens längd (A)	470 mm	470 mm
Lyftens bredd (B)	250 mm	250 mm
Lyftens höjd (C)	203 mm	266 mm
Maximalt lyftområde (D)	2,5 m	2,5 m

#### Vikter

	Robin®	Robin® Mover
Maximal lyftkapacitet (säker arbetsbelastning)	200 kg	200 kg
Total vikt utan lyftsele	7,3 kg	10 kg

## 8.3 Elektriskt system

	Robin®	Robin® Mover
Maximal ingående strömstyrka	0,9 A	
Kapslingsklass <sup>1</sup>	Hela enheten: IPx4 (taklyft: IP24, manöverdosa: IP44)	
Isoleringsklass	Klass II-utrustning	
	Patientansluten del typ B Den patientanslutna delen uppfyller kraven för skydd mot elektriska stötar i enlighet med IEC60601-1.	
Ljudnivå	50–55 dB (A)	
Antal lyft per laddning	65 lyft på 0,5 m med 80 kg	
Intermittent (periodisk motoranvändning)	10 %, max 2 min/18 min	
Batteri	NiMH-batteri 24 V/1,9 Ah	
Laddningstid	Upp till 3 timmar vid 20 °C	
Lyfthastighet med 200 kg last	2,1 cm/s	2,1 cm/s
Tvärgående hastighet i spåren	ej tillämpligt	14 cm/s

#### Laddare

Spänningsutgång	Laddningskabel 25 – 36 V DC Högsta belastning: 41 V DC	
Spänningsmatning	100 – 240 V AC, 50 – 60 Hz	
Kapslingsklass <sup>1</sup>	IP41 eller IP67 (beroende på version)	

<sup>1</sup> Information om skyddsklass finns på produktetiketten och etiketten på respektive elektrisk enhet. Den lägsta IP-klassificeringen bestämmer produktens totala klassificering.

- IPx4: Skydd mot inträngande vatten som strilar från alla riktningar.
- IP24: Skydd mot inträngande av fasta föremål större än 12,5 mm och inträngande vatten som strilar från alla riktningar.
- IP44: Skydd mot inträngande av fasta föremål större än 1 mm och inträngande vatten som strilar från alla riktningar.
- IP41: Skydd mot inträngande av fasta föremål större än 1 mm och inträngande vatten som droppar vertikalt.
- IP67: Dammtålighet och skydd mot tillfällig nedsänkning i vatten.

## 8.4 Användningsmiljö

	Förvaring och transport	Drift
Temperatur	-30 °C till +50 °C	+5 °C till +40 °C
Relativ luftfuktighet	10 % till 70 %	20 % till 90 % vid 30 °C, icke-kondenserande
Atmosfäriskt tryck	700 hPa till 1 060 hPa	



Låt produkten nå driftstemperatur före användning:

- Uppvärmning från lägsta förvaringstemperatur kan ta upp till 24 timmar.
- Nedkylning från högsta förvaringstemperatur kan ta upp till 24 timmar.





## Invacare Sales

### Belgium & Luxemburg:

Invacare nv  
Autobaan 22  
B-8210 Loppem  
Tel: (32) (0)50 83 10 10  
Fax: (32) (0)50 83 10 11  
belgium@invacare.com  
www.invacare.be

### Italia:

Invacare Mecc San s.r.l.,  
Via dei Pini 62,  
I-36016 Thiene (VI)  
Tel: (39) 0445 38 00 59  
Fax: (39) 0445 38 00 34  
italia@invacare.com  
www.invacare.it

### United Kingdom:

Invacare Limited  
Pencoed Technology Park,  
Pencoed  
Bridgend CF35 5AQ  
Tel: (44) (0) 1656 776 222  
Fax: (44) (0) 1656 776 220  
uk@invacare.com  
www.invacare.co.uk

### Danmark:

Invacare A/S  
Sdr. Ringvej 37  
DK-2605 Brøndby  
Tel: (45) (0)36 90 00 00  
Fax: (45) (0)36 90 00 01  
denmark@invacare.com  
www.invacare.dk

### Nederland:

Invacare BV  
Galvanistraat 14-3  
NL-6716 AE Ede  
Tel: (31) (0)318 695 757  
Fax: (31) (0)318 695 758  
nederland@invacare.com  
www.invacare.nl

### France:

Invacare Poirier SAS  
Route de St Roch  
F-37230 Fondettes  
Tel: (33) (0)2 47 62 64 66  
Fax: (33) (0)2 47 42 12 24  
contactfr@invacare.com  
www.invacare.fr

### Norge:

Invacare AS  
Grensesvingen 9, Postboks 6230,  
Etterstad  
N-0603 Oslo  
Tel: (47) (0)22 57 95 00  
Fax: (47) (0)22 57 95 01  
norway@invacare.com  
www.invacare.no

### Ireland:

Invacare Ireland Ltd,  
Unit 5 Seatown Business Campus  
Seatown Road, Swords, County  
Dublin  
Tel : (353) 1 810 7084  
Fax: (353) 1 810 7085  
ireland@invacare.com  
www.invacare.ie

### Sverige:

Invacare AB  
Fagerstagatan 9  
S-163 53 Spånga  
Tel: (46) (0)8 761 70 90  
Fax: (46) (0)8 761 81 08  
sweden@invacare.com  
www.invacare.se



Invacare Portugal, Lda  
Rua Estrada Velha 949  
4465-784 Leça do Balio  
Portugal

