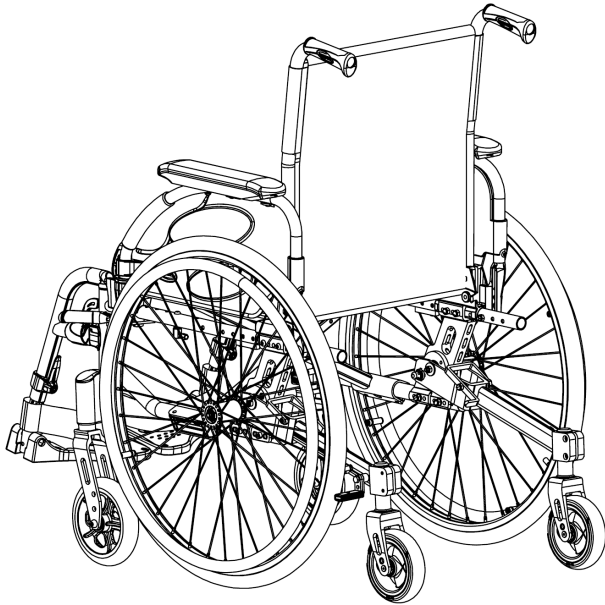


Invacare® Action®3 NG MWP*

*Mid Wheel Propulsion

en **Medium active wheelchair
User Manual**



This manual **MUST** be given to the user of the product.
BEFORE using this product, this manual **MUST** be read and saved for
future reference.



Yes, you can.®

©2019 Invacare Corporation

All rights reserved. Republication, duplication or modification in whole or in part is prohibited without prior written permission from Invacare. Trademarks are identified by ™ and ®. All trademarks are owned by or licensed to Invacare Corporation or its subsidiaries unless otherwise noted.

Contents

1 General	4
1.1 Introduction	4
1.2 Symbols in this manual	4
2 Safety	5
2.1 General	5
2.2 Safety devices	5
3 Product Overview	6
3.1 Product Description	6
3.2 Intended use	6
3.3 Main parts of the wheelchair	7
3.4 Parking brakes	8
3.5 Anti-tipper arm	9
4 Using the wheelchair	12
4.1 Driving and steering the wheelchair, without central wheels	12
4.2 Resting position when using seat tilt device	13
5 Transport	15
5.1 Transporting the occupied wheelchair in a vehicle	15
5.2 Lifting the wheelchair	21
6 Maintenance	22
6.1 Safety information	22
6.2 Maintenance Schedule	22
7 Troubleshooting	24
7.1 Safety information	24
7.2 Identifying and repairing faults	25
8 Technical Data	26
8.1 Dimensions and weight	26

1 General

1.1 Introduction

This document belongs to an Invacare option for Action3 NG and it contains important information about handling. To ensure safety when using the product, read the user manual of the related Action3 NG carefully and follow the safety instructions.

Find the user manual on Invacare's website or contact your Invacare representative. See addresses at the end of this document.

Invacare reserves the right to alter product specifications without further notice.

Before reading this document, make sure you have the latest version. You find the latest version as a PDF on the Invacare website.

If you find that the font size in the printed document is difficult to read, you can download the PDF version from the website. The PDF can then be scaled on screen to a font size that is more comfortable for you.

1.2 Symbols in this manual

Symbols and signal words are used in this manual and apply to hazards or unsafe practices which could result in personal injury or property damage. See the information below for definitions of the signal words.



WARNING

Indicates a hazardous situation that could result in serious injury or death if it is not avoided.



CAUTION

Indicates a hazardous situation that could result in minor or slight injury if it is not avoided.



IMPORTANT

Indicates a hazardous situation that could result in damage to property if it is not avoided.



Tips and Recommendations

Gives useful tips, recommendations and information for efficient, trouble-free use.



This product complies with Directive 93/42/EEC concerning medical devices. The launch date of this product is stated in the CE declaration of conformity.



Manufacturer of the product.

2 Safety

The functions of the safety devices are described in chapter 3 *Product Overview*, page 6 .

2.1 General

**IMPORTANT!**

- For general usage, refer to the ordinary user manual for Action3 NG. Always use this document in combination with the ordinary user manual.

2.2 Safety devices

**WARNING!****Risk of accidents**

Safety devices that are incorrectly set or no longer working (brakes, anti-tipper) can cause accidents.

- Always check that the safety devices are working before you use the wheelchair and have them checked regularly by a qualified technician or your authorized provider.

**CAUTION!****Risk of Injury**

Non-original or wrong parts may affect the function and safety of the product.

- Only use original parts for the product in use.
- Due to regional differences, refer to your local Invacare catalog or website for available options or contact your Invacare distributor. See addresses at the end of this document.

3 Product Overview

3.1 Product Description

This is a medium active wheelchair with crossbar folding mechanism, swing-away legrests equipped with a seat tilt device option.

! IMPORTANT!

The wheelchair is manufactured and configured individually to the specifications in the order. The specification must be performed by a healthcare professional according to the user's requirements and health condition.

- Consult a healthcare professional if you intend to adapt the wheelchair configuration.
- Any adaptation should be performed by a qualified technician or your authorised provider.

3.2 Intended use

The Action3 NG equipped with a seat tilt device option is intended to enhance manoeuvrability and allow a resting position to persons limited to a sitting position, who are propelling the wheelchair themselves frequently.

The wheelchair is intended for persons ages 15 and up (adolescents and adults). The weight of the wheelchair occupant must not exceed the maximum user weight as stated in the Technical Data section and on the identification label.

The intended user is the wheelchair occupant and/or an assistant.

The user should physically and mentally be able to use the wheelchair safely (e.g. to propel, steer, brake, tilt).

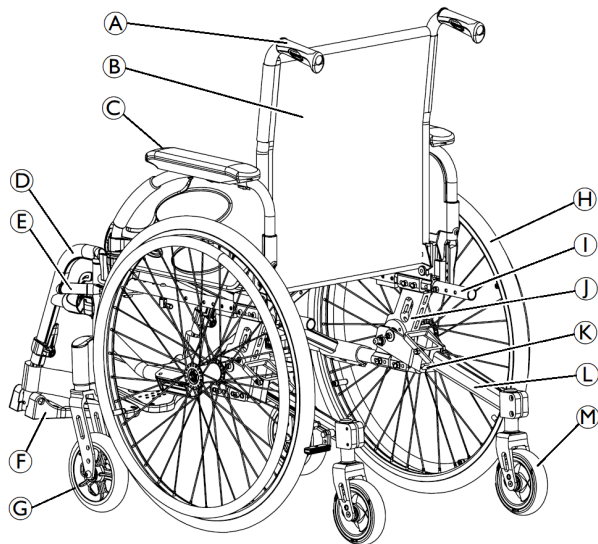
The wheelchair may be used indoors and outdoors on level ground and accessible terrain.

Indications

- Considerable to complete impairment of mobility due to structural and/or functional damage to the lower extremities.
- Sufficient strength and gripping function of arms and hands to propel the wheelchair.

There are no contraindications known, when using the wheelchair as intended.

3.3 Main parts of the wheelchair



- Ⓐ Push handle
- Ⓑ Backrest
- Ⓒ Armrest
- Ⓓ Swing-away legrest
- Ⓔ Parking brake
- Ⓕ Footrest
- Ⓖ Front castor
- Ⓗ Central wheel with handrim
- Ⓘ Frame
- Ⓝ Adjustable axle bracket
- Ⓚ Security lever
- Ⓛ Anti-tipper arm
- Ⓜ Anti-tipper wheel

3.4 Parking brakes

The parking brakes are used to immobilise the wheelchair when it is stationary to prevent it from rolling away.



WARNING!

Risk of overturning if you brake sharply

If you engage the parking brakes while you are moving, the direction of movement can become uncontrollable and the wheelchair may stop suddenly, which can lead to a collision or to you falling out.

- Never engage the parking brakes while you are moving.



WARNING!

Risk due to wheelchair being out of control

- The parking brakes must be operated simultaneously.
- Do not engage the parking brakes to slow down the wheelchair.
- Do not lean on the parking brakes for support or transfer.



WARNING!

Risk of overturning

The parking brakes will not operate correctly unless there is sufficient air in the tyres.

- Ensure the correct tyre pressure, consult the tyre pressure table in the Action3 NG user manual.



CAUTION!

Risk of pinching or crushing

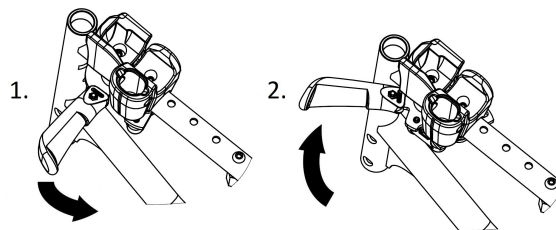
There may be a very small gap between the central wheel and the parking brake with the risk that you could trap your fingers.

- Keep your fingers away from movable parts when using the brake, always keep your hand on the brake lever.



The distance between the brake shoe and the tyre can be adjusted. The adjustment must be carried out by a qualified technician.

Pull brake (cable-activated)



1. To engage the brake, pull the brake lever backwards with the low fingers as far as possible.
2. To disengage the brake, push the brake lever forwards with the palm.

**CAUTION!****Risk of overturning**

Even when the brakes are engaged, the wheelchair can slightly move forwards over a distance of 4 cm with activated security lever or 15 cm with deactivated security lever.

- Always use the wheelchair with activated security lever to limit this movement.
- Do not stay too close to an obstacle, like stairs, steps or kerbs.

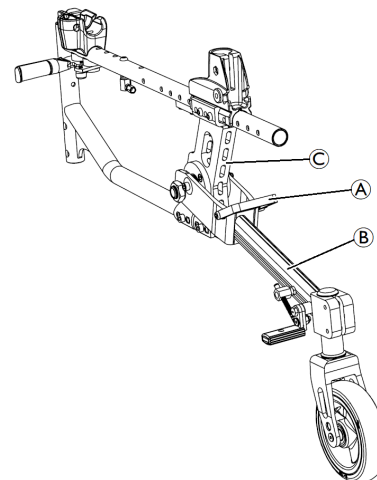
**WARNING!****Risk due to wheelchair being out of braking control**

On steep slopes you can lose braking control of your wheelchair and overturn.

- Do not take slopes exceeding 4° to ensure perfect braking control of the wheelchair.

3.5 Anti-tipper arm

Anti-tipper arms prevent the wheelchair from tipping backwards and offers a resting position that reaches 25° tilt.

**WARNING!****Risk of overturning**

Anti-tipper arms that are incorrectly set or no longer working can lead to overturning.

- Always check that the anti-tipper arms are working on each side before using the wheelchair and have it set or readjusted by a qualified technician when required.



WARNING!

Risk of overturning

On uneven or soft ground, the anti-tipper arms can sink into potholes or directly into the ground, thereby curtailing or eliminating their safety function.

- Only use the anti-tipper arms when travelling on even and firm ground.



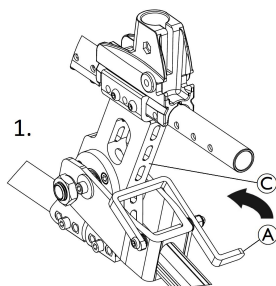
WARNING!

Risk of tipping backwards

Reclining position on sloping ground can affect your stability whilst resting in the wheelchair with the recline at 30°.

- Always activate the security lever **A** with the recline at 30°.
- Always stay on perfectly level ground whilst in resting position with the recline at 30°.

Activate the security lever for anti-tipper function



1. Rotate the security lever **A** forwards, close to the adjustable axle bracket **C**.
2. Repeat the process on the other side.

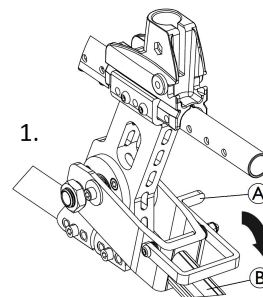


CAUTION!

With the security levers **A** rotated forwards, the anti-tipper arms prevent the wheelchair from tipping backwards.

- Activate the security levers before going up or down steps or kerbs with less than 65 mm.

Deactivate the security lever for resting position (assistant or active user only)



1. Rotate the security lever **A** backwards until it stops on the anti-tipper arm **B**.
2. Repeat the process on the other side.
3. The active user or the assistant can reach the resting position (25° tilt).

**WARNING!****Risk of tipping**

With the security levers **Ⓐ** rotated forwards, the anti-tipper arms **Ⓑ** can catch when negotiating a step or an edge.

- You can rotate the security levers **Ⓐ** backwards before driving over a step or kerb over 65 mm height.

**WARNING!****Risk of overturning**

- Always advise the user if you deactivate the security levers.

Setting the height of the anti-tipper wheel

This adjustment is required with reference to the position and diameter of the central wheel as well as the user's conditions and particular safety limits.

**WARNING!****Risk of overturning**

- The adjustments of the anti-tipper arms must be carried out by a qualified technician.




Make sure that the anti-tipper is fitted correctly on each side. The security lever **Ⓐ** must be locked into forwards position, close to the adjustable axle bracket **Ⓒ**.

4 Using the wheelchair

4.1 Driving and steering the wheelchair, without central wheels

If your wheelchair is too wide for certain applications, such as trains/aeroplanes, narrow passageways or narrow doors, the anti-tipper arms can be used as a transfer device. In this configuration, only the assistant must manoeuvre the wheelchair by the push handles, indoors on level ground and accessible surface.

 The anti-tipper arms are attached to the frame, the security lever must be activated in forwards position, close to the adjustable axle bracket.



WARNING!

– When using the anti-tipper arms as a transfer device, the parking brakes no longer have any effect and you cannot control your wheelchair via the handrims.



WARNING!

Risk of tipping sideways

– The central wheels have to be removed without the user seated in the wheelchair.
 – Make sure that the anti-tipper is fitted correctly on each side and the security lever is activated in forwards position, close to the adjustable axle bracket.

Switching to transfer function

1. Activate the security lever in forwards position, close to the adjustable axle bracket
2. With the help of an assistant, remove the central wheel and lower the wheelchair to the anti-tipper arm.
3. Repeat the process on the other side.

Switching from transfer function to central wheels

1. With the help of an assistant, fit the central wheel back onto the removable axle and lower the wheelchair to the central wheel.
2. Repeat the process on the other side.



4.2 Resting position when using seat tilt device

The seat tilt device prevents the wheelchair from tipping backwards and offers a resting position that reaches 25° tilt.



CAUTION!

Risk of tipping

Resting position on sloping ground can affect your stability whilst resting in the wheelchair, especially when used in combination with reclining backrests.

- Always stay on perfectly level ground when using the resting position with fixed or reclining backrests.



For a safe resting position, when used in combination with reclining backrests, it's recommended to engage the parking brakes, previously tilt the backrest and then tilt the seat downwards. To reverse to propulsion position, previously tilt the seat and then tilt the backrest upwards.

Resting position with an assistant



1. Hold both push handles.
2. Place one foot on the vertical axis of one of the anti-tipper wheels.
3. Tilt the wheelchair backwards effortlessly.
4. Engage the brakes.

This provides the user with a safe resting position.



CAUTION!

Risk of pinching or crushing

There is a small gap between the anti-tipper arm and the frame with the risk that you could trap your foot if it is too far in front.

- Keep your foot away from movable parts when using the anti-tipper arm as a support.
- Always place your foot close to the vertical axis of one of the anti-tipper wheels.

1. Disengage the brakes to get back to the standard position.
2. Hold both push handles.
3. Tilt the wheelchair forwards until the front wheels are back on the ground.

Resting position without an assistant (active user only)



1. Roll backwards a short distance, grasp both handrims firmly.
2. Push forwards with a slight kick.

3. The shift in weight and steering in opposite directions with the handrims enables you to reach the safe resting position.
4. Engage the brakes.



The resting position can be locked without difficulty thanks to the security lever, reachable by both the active user or the assistant.



CAUTION!

When rotating the security levers forwards, the anti-tipper arms prevent the wheelchair from tipping backwards.

- Activate the security levers before going up or down steps or kerbs with less than 65 mm. See “Activate the security lever for anti-tipper function” paragraph.

5 Transport

5.1 Transporting the occupied wheelchair in a vehicle

Even when the wheelchair is properly secured and the following rules are met, injuries to passengers may occur in a collision or sudden stop. Therefore Invacare strongly recommends transferring the wheelchair user to the vehicle seat with the seatbelt on. Do not make alterations or substitutions to points of the wheelchair (structure, frame or parts) without the written consent of Invacare Corporation. The wheelchair has been successfully tested according to the requirements of ISO 7176-19 (Frontal impact).

To transport the wheelchair with user in a vehicle, a restraint system must be installed in the vehicle. Wheelchair tie-downs and occupant restraint systems must be approved according to ISO 10542-2. Contact your local Invacare authorized provider for more information on getting and installing an approved and compatible restraint system.

Depending on the configuration, some wheelchairs may be used as a seat in a motor vehicle, some may not.



ISO 7176-19

Tie-down positions where the restraint system straps must be placed in case of transporting the occupied wheelchair in a motor vehicle. This symbol is only attached to the wheelchair when it is ordered with the transportation kit option.



WARNING Symbol

This wheelchair is not configured for passenger transport in a motor vehicle. This symbol is attached to the frame close to the identification label.



WARNING!

Risk of serious injury or death

To use the wheelchair as a seat in a vehicle the backrest height minimum must be at least 400 mm.



WARNING!

If, for some reason, it is impossible to transfer the wheelchair user to a vehicle seat, the wheelchair can be used as a seat in a vehicle if the following procedures and regulations are followed. A transportation kit (optional) have to be fitted on the chair for such a purpose.

- The wheelchair must be secured in the vehicle with a 4-point wheelchair restraint system.
- The user must wear a 3-point passenger restraint system secured to the vehicle.
- The user could be additionally secured with a posture belt in the wheelchair.



WARNING!

Safety restraint devices must only be used when the wheelchair user's weight is 22 kg or more (ISO-7176-19).

- Do not use the wheelchair as a seat in a vehicle when the user weight is lower than 22 kg.



WARNING!

- Before journey contact transporter and request information about the capability for the below required equipment.
- Make sure there is sufficient free space around the wheelchair and user to avoid the user making contact with other vehicle occupants, unpadded parts of the vehicle, wheelchair options or anchor points of the restraint system.



WARNING!

- Make sure the tie-down points at the wheelchair are not damaged and that the parking brakes are fully functional.
- It's recommended to use puncture-proof tyres during transport to avoid brake problems due to reduced tyre pressure.



WARNING!

Injury or damage may occur from wheelchair components or options loosened during a collision or sudden stop.

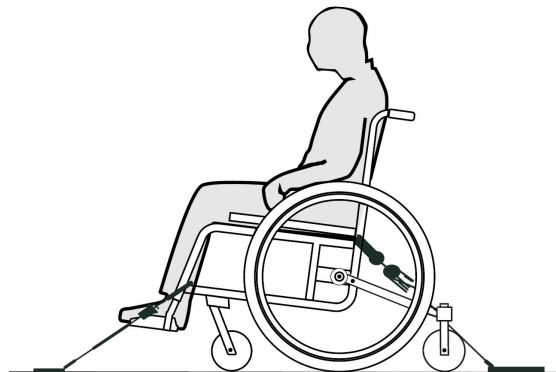
- Ensure all removable or detachable components and options are removed from the wheelchair and securely stored in the vehicle.
- It is essential to have your wheelchair checked by a qualified technician after an accident, collision etc.



IMPORTANT!

- Refer to the user manuals supplied with the restraint systems.
- The following illustrations may differ depending on the restraint system supplier.

Securing the wheelchair with a 4-point restraint system



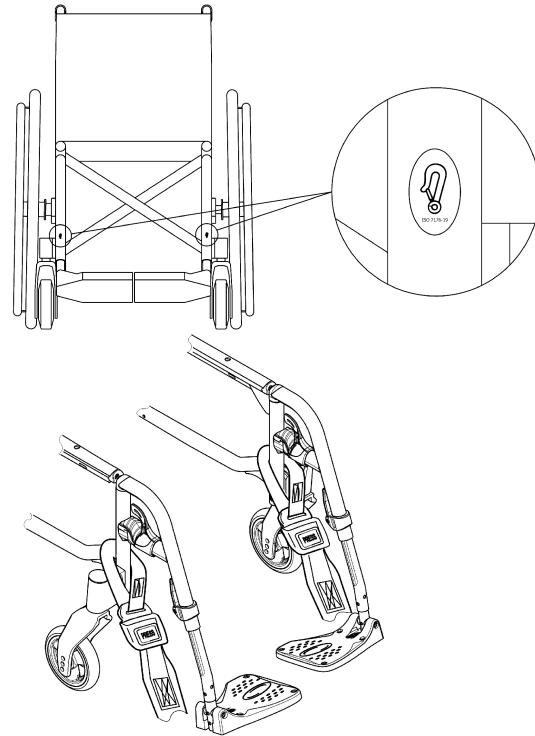
**WARNING!**

- Place the wheelchair with the user forward-facing in direction of vehicle travel.
- Engage the wheelchair parking brakes.
- Activate the security lever, refer to section 3.5 *Anti-tipper arm, page 9*.

The wheelchair tie-down positions where the restraint system straps must be placed are marked with snap hook symbols (see following figures).

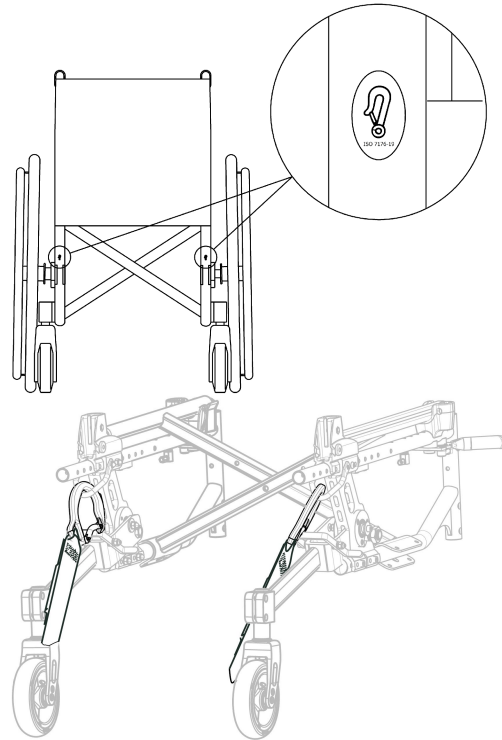
1. Using the front and rear straps of the 4-point restraint system, secure the wheelchair to the vehicle mounted rails. Refer to the user manual supplied with 4-point restraint system.

Front side tie-down positions for belt straps:



1. Attach the front straps above the castor supporters as shown in the figure above (see location of the attachment labels).
2. Attach front straps to the rail system referring to best practice recommended instructions from the safety belt manufacturer.
3. Disengage parking brakes and apply tension front straps by pulling the wheelchair backwards from the rear.
4. Re-engage parking brakes.

Rear side tie-down positions for snap hooks:



1. Attach the snap hooks to the orange rings as shown in the two figures above (see location of the attachment labels).
2. Attach rear straps (straps inwards the anti-tipper arm device) to the rail system referring to best practice recommended instructions from the safety belt manufacturer.
3. Tighten the straps.

! **IMPORTANT!**

- Make sure that the snap hooks are covered with slip resistant material to avoid laterally slipping on the axle.

! **IMPORTANT!**

- Check the plungers are fully engaged on both sides and located in the same position of the cut-out section of the rail.
- Make sure that the angle between the rails and the straps lies between 40° and 45°.

Fit posture belt



WARNING!

The posture belt must be used in addition to but never as a substitute for an approved passenger restraint system (3-point belt).

1. Adjust posture belt to fit the wheelchair occupant, consult the posture belt section in the Action3 NG user manual.

Fastening the 3-point passenger restraint system



! **IMPORTANT!**

The illustration above may differ depending on the restraint system supplier.



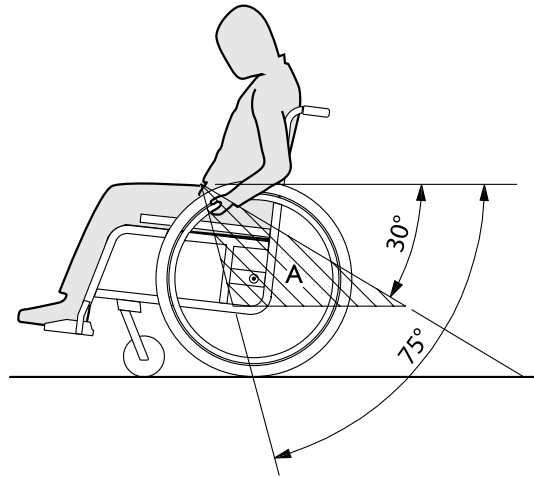
WARNING!

- Ensure the 3-point passenger restraint system fits as tightly across the user's body as possible without discomfort and no part is twisted.
- Ensure the 3-point passenger restraint system is not held away from the user's body by parts of the wheelchair such as armrests or wheels etc.
- Ensure the user restraint has a clear path from the user to the anchor point without interference by any part of the vehicle, wheelchair, seating or option.
- Ensure the posture belt fits snugly over the occupant's pelvis and is not allowed to ride up into the abdominal area.
- Ensure the user is able to reach the release mechanism unaided.



IMPORTANT!

- Apply the posture belt of the 3-point passenger restraint system low across the pelvis so that the angle of the posture belt is within the preferred zone (A) of 30° to 75° to the horizontal. A steeper angle is preferred, but never exceeding 75°.

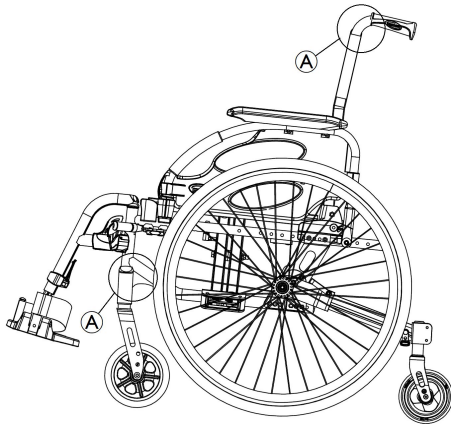


1. Attach the 3-point passenger restraint system referring to the user manual supplied with your 3-point restraint system.

5.2 Lifting the wheelchair

! IMPORTANT!

- Never lift the wheelchair by removable parts (armrests, footrests, anti-tipper arms).
- Ensure the backrest posts are securely in place.



1. Fold the wheelchair, see chapter Folding the wheelchair (Action3 NG user manual).
2. Always lift the wheelchair by gripping the frame at points Ⓐ.



CAUTION!

Risk of pinching or crushing

- There may be a very small gap between the anti-tipper arms and the wheelchair frame with the risk that you could trap your fingers.
- Keep your fingers away from movable parts when lifting the wheelchair.
 - Always lift the wheelchair by gripping the frame at points Ⓐ.

6 Maintenance

6.1 Safety information



WARNING!

Some materials deteriorate naturally over time. This could result in damage to wheelchair components.

- Your wheelchair should be checked by a qualified technician at least once a year or if it has not been used for a long period.



Packaging for return

The wheelchair shall be sent to the authorized provider in an appropriate packaging to avoid damage during the shipment.

6.2 Maintenance Schedule

To ensure safe and reliable operation, carry out the following visual checks and maintenance regularly or have it carried out by another person. See *Maintenance Schedule* in the Action3 NG user manual for general checks and regular maintenance.

	weekly	monthly	annually
Check that central wheels are seated correctly	x		
Check the seat tilt mechanism		x	

	weekly	monthly	annually
Clean the anti-tipper wheels		x	
Check parking brakes (mechanism and cable)		x	
Have wheelchair checked by a qualified technician			x

General visual check

1. Examine your wheelchair for loose parts, cracks or other defects.
2. If you find anything, have your wheelchair checked immediately by an authorized provider.
3. See the Service Manuals Action3 NG and Action3 NG RC/MWP, available on the internet at www.invacare.eu.com.

Check that central wheels are seated correctly

1. Pull on the central wheel to check that the removable axle is seated correctly. The wheel should not come off.
2. If the central wheels are not engaged properly, remove any dirt or deposits. If the problem persists, have the removable axles re-fitted by a qualified technician.

Check the seat tilt mechanism

1. Check that the seat tilt mechanism is easy operating.
2. Check anti-tipper arm axles are seated correctly and security levers rotate forwards and backwards freely.

Check the bolts of the seat tilt mechanism

Bolts can work loose through constant use.

1. Check that the bolts are tight (on the anti-tipper arm, security lever, adjustable axle bracket, brake fixation).
2. Tighten any loose bolts with the suitable torque. See the Service Manuals Action3 NG and Action3 NG RC/MWP, available on the internet at www.invacare.eu.com.

Clean the anti-tipper wheels

1. Check that the anti-tipper wheels turn freely.
2. Remove any dirt or hair from the rear wheel bearings.

! IMPORTANT!

- Safety nuts and bolts lose their effectiveness as a result of repeated loosening and tightening.
 - Safety nuts and bolts must be replaced by a qualified technician.

Check the parking brakes

1. Check that the parking brakes are positioned correctly. The brake is set correctly if the brake shoe depresses the tyre by a few millimeters when the brake is applied.
2. Check the tension and appearance of the brake cable.
3. If you find that the brake setting, tension and appearance of the cable are not correct, have the brakes correctly set and verified by a qualified technician.

! IMPORTANT!

- The parking brakes must be reset after changing the rear wheels diameter.

Checking after a heavy collision or blow



IMPORTANT!

The wheelchair can sustain visibly undetectable damage as a result of a heavy collision or hard blow.

- It is essential to have your wheelchair checked by a qualified technician after a heavy collision or hard blow.

Spare parts



All spare parts may be obtained from an Invacare authorised provider. A current list of spare parts is available on the internet at www.invacare.eu.com.

7 Troubleshooting

7.1 Safety information

Faults may arise as a result of daily use, adjustments or changing demands on the wheelchair. The table below shows how to identify and repair faults.

Some of the actions listed must be carried out by a qualified technician. These are indicated. We recommend that *all* adjustments are carried out by a qualified technician.



CAUTION!

– If you notice a fault with your wheelchair, e.g. a significant change in handling, stop using your wheelchair immediately and contact your provider.

7.2 Identifying and repairing faults

Fault	Possible cause	Action
The wheelchair tips backwards too easily	Central wheels are mounted too far forwards	Mount the central wheels further back, → qualified technician
	Recline too large	Reduce the recline, → qualified technician
	Tilt too large	Mount the front wheel higher on the front fork, → qualified technician
The brakes are gripping poorly or asymmetrically	Incorrect tyre pressure in one or both central tyres	Correct the tyre pressure, → see tyre pressure table in the Action3 NG user manual
	Brake setting incorrect	Correct the brake setting, → qualified technician
Rolling resistance is very high	Tyre pressure in central tyres is too low	Correct the tyre pressure, → see tyre pressure table in the Action3 NG user manual
	Central wheels not parallel	Ensure the central wheels are parallel, → qualified technician
The anti-tipper wheel is stiff or stuck	Bearings are dirty or faulty	Clean the bearings or replace the wheel, → qualified technician

8 Technical Data

8.1 Dimensions and weight

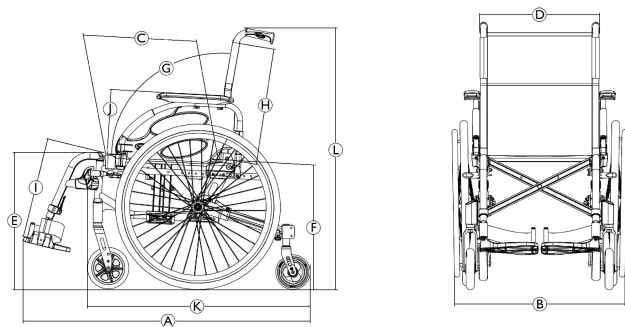
All dimension and weight specifications refer to a wide range of the wheelchair in a standard configuration. Dimension and weight (based on ISO 7176–1/5/7) may alter according to different configurations. In some configurations, the wheelchair exceeds the recommended dimensions for a wheelchair.

Dimensions of unloaded wheelchair in brackets.



IMPORTANT!

- In some configurations, the overall dimensions of the wheelchair when it is ready for use exceeds the authorised limits and the access to emergency escape routes is not possible.
- In some configurations, the wheelchair exceeds the size recommended for travelling by train in the EU.



	Maximum user weight	125 kg
Ⓐ	Overall length with legrests	1035 – 1129 mm
Ⓑ	Overall width	580 – 705 mm
	Folded length	1035 – 1129 mm
	Folded width	285 – 355 mm
	Folded height	895 – 1485 mm
	Total mass	from 17 – 31.8 kg
	Mass of the heaviest part	10.8 – 16 kg
	Static stability	Downhill: 0° – 21° Uphill: 0° – 18° Sideways: 0° – 22°
	Seat plane angle	8° (3°)
Ⓒ	Effective seat depth	530 – 580 (400 – 450) mm
Ⓓ	Effective seat width	360 – 485 (380 – 505) mm, in increments of 25 mm
Ⓔ	Seat surface height at front edge	455 – 480 (460 – 485) mm, in increments of 25 mm
Ⓕ	Seat surface height at rear edge	430 – 455 (435 – 460) mm, in increments of 25 mm

Ⓒ	Backrest angle	Range: -15° / $+30^{\circ}$ Fixed: 90° Adjustable: 90° ($-15^{\circ}/+15^{\circ}$), stepless Recliner: 90° ($0^{\circ}/+30^{\circ}$), in increments of 10°
Ⓗ	Backrest height	400 – 585 (325 – 510) mm
Ⓘ	Footrest-to-seat distance	160 – 565 mm, in increments of 10 mm
	Leg-to-seat-surface angle	0° – 90°
Ⓝ	Armrest-to-seat height	Range: 170 – 295 mm N°2: 240 mm N°3: 170 – 295 mm
	Front location of armrest structure	240 – 350mm
	Hand rim diameter	496 – 541 mm
	Horizontal location of axle	-125 mm
	Minimum turning radius	800 mm
	Stowage width	245 mm
	Stowage height	880 – 985 mm
	Stowage length	from 815 – 895 mm
Ⓚ	Overall length without legrests	815 – 895 mm

Ⓛ	Overall height	895 – 1000 mm
	Pivot width	1235 mm
	Maximum slope angle brake	4°

Invacare distributors

United Kingdom:

Invacare Limited
Pencoed Technology Park, Pencoed
Bridgend CF35 5AQ
Tel: (44) (0) 1656 776 222
Fax: (44) (0) 1656 776 220
uk@invacare.com
www.invacare.co.uk

Ireland:

Invacare Ireland Ltd,
Unit 5 Seatown Business Campus
Seatown Road, Swords, County Dublin
Tel : (353) 1 810 7084
Fax: (353) 1 810 7085
ireland@invacare.com
www.invacare.ie



Invacare France Operations SAS
Route de St Roch
F-37230 Fondettes
France

60122376-B 2019-10-15



Making Life's Experiences Possible®



Yes, you can.®