

THE KSL



©2018 Invacare Corporation

All rights reserved. Reproduction, duplication or modification in whole or in part is prohibited without prior written permission from Invacare Corporation. Trademarks are identified by ™ and ®.
All trademarks are owned by or licensed to Invacare Corporation or its subsidiaries unless otherwise noted.



TABLE OF CONTENTS

GENERAL	4
Introduction	4
Spare parts	4
Fastening with hexagon socket bolts	4
Torque	5
Checks	5
Identifying and repairing faults	5
FRAME	6
Adjusting the frame	6
Changing the frame	6
SEAT	7
Adjusting the seat height	7
Replacing the seat cover	7
BACKREST	8
Adjusting the backrest height	8
Backrest angle	8
Tipping point of the wheelchair	8
Replacing the Standard Light backrest cover	9
Replacing hook and loop tapes for adjustable backrests	9
Replacing push handles with Light cover	10
From serial number 13G08000785: Replacing push handles with Light cover	10
Replacing push handles with adjustable backrest	10
Replacing foldable push handles	11
Foldable backrest, angle adjustable (optional)	12
FOOTRESTS	13
Replacing the footrest	13
Adjusting the height of the footrest	13
Adjusting the angle of the footrest	13
SIDES	14
Fitting the clothes guard	14
Fitting the mudguard	14
FRONT WHEELS	15
Replacing the front wheel fork	15
Replacing the front wheel	15
Cleaning the front wheel bearings	15
REAR WHEELS	16
Checking the tyre pressure	16
Checking the spoke tension	16
Checking that removable axles are seated correctly	16
Adjusting the removable axles	16
Replacing the rear wheels	16
Replacing the axle	17
Ensuring the rear wheels are parallel	17
Repairing or changing an inner tube	17
Repairing or changing a solid tire	17
BRAKES	18
Parking brakes	18
OPTIONS & ACCESSORIES	19
Fitting an antitipper	19



GENERAL

Introduction

This service manual is part of the instructions and contains the technical information for servicing, configuring and repairing a küschall® wheelchair.

WARNING!
Danger of accident and severe injuries.

If the wheelchair is improperly set it can cause accidents and severe injuries.

► **Changes to the wheelchair may only be carried out by the provider.**

To maintain the necessary levels of safety and reliability, every wheelchair must be thoroughly examined once a year.

Some aspects of the assembly and configuration of the wheelchair require a high level of expertise. These assembly instructions therefore break the various tasks down into 3 categories:

Requirement	Symbol
Easy – technical understanding required	●○○
Medium – technical knowledge required	●●○
Difficult – technical knowledge and expertise in assembling wheelchairs required	●●●

The required tools and their respective sizes are listed above each instruction. The instructions include information on the torques with which the respective screw connections must be tightened. Adhering to the given torques requires the use of a torque spanner.

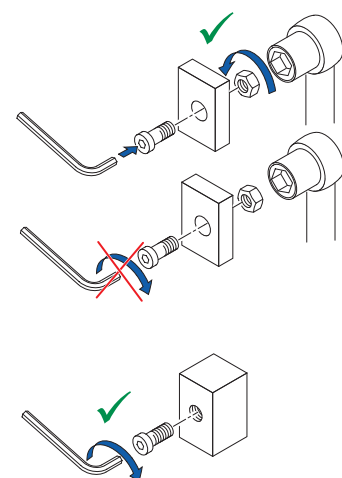
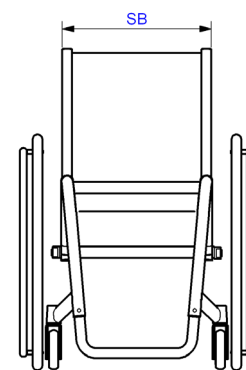
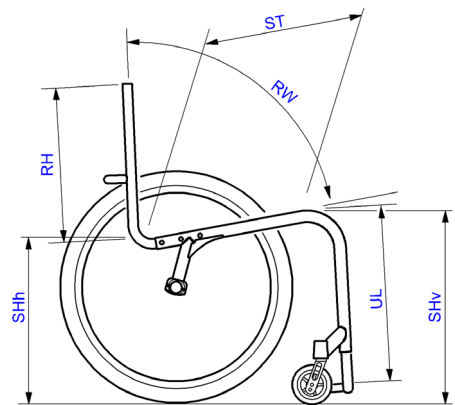
Tools	Symbol
Allen key	● 3, 4, 5
Phillips screwdriver	✕ 2
Straddle spanner	—C 10, 11, 19
Socket spanner/ring spanner	⬡ 8, 10

Spare parts

All spare parts can be purchased from Invacare Customer Services. An electronic spare parts catalog is available by logging onto www.kuschall.com. Only original spare parts may be used. Installing additional adaptations to a küschall® wheelchair requires the prior written approval of Invacare Corporation.

Fastening with hexagon socket bolts

Hexagon socket bolts are not designed to withstand an excessive application of force. When tightening or undoing a hexagon socket bolt, force must be applied to the nut wherever possible to avoid damaging the bolt.





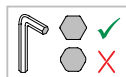
Tightening and undoing

- Turn the nut using an open-end spanner, or preferably a socket spanner, using the Allen key simply to stop the bolt turning.

Tightening and undoing when no nut is present

If an Allen screw is directly screwed into a screw thread, the screw must be tightened using an Allen key.

-  Ensure that the Allen key is of good quality and not worn.



Torque

- All screw connections must be tightened with the torques specified in the following instructions.

Checks

Visual check

- Prüfen Sie alle Komponenten auf Risse, insbesondere die Bereiche um Verbindungen und Schweißnähte herum.

Checking the screw connections

- Check all bolts with the torques specified in the instructions regularly, and adjust if required.



CAUTION!

Mehrere Schraubverbindungen wurden mit Schraubensicherungslack gesichert. Sollten diese Schraubverbindungen geöffnet werden, müssen sie wieder mit neuem Schraubensicherungslack gesichert werden. Zur Verfügung stehen hochfeste und niederfeste Sicherungsmassen in flüssiger Form. Bei den Drehmomentangaben wird ggf. darauf hingewiesen, ob ein Sicherungskleber zu verwenden ist, bzw. welcher zu verwenden ist.

Identifying and repairing faults

Fault	Possible cause	Action
The wheelchair does not travel in a straight line	Incorrect tyre pressure on one rear wheel	Correct tyre pressure
	One or more spokes broken	Replace broken spoke(s)
	Spokes tightened unevenly	Tighten loose spokes
The wheelchair tips too easily	Frame geometry does not meet specifications	Fitting an antitipper
	Backrest angle too great	Replace backrest with smaller backrest angle
Removable axles cannot be inserted correctly	Removable axles dirty	Clean removable axles
	Removable axles misaligned	Adjust removable axles
The brakes are gripping poorly or asymmetrically	Incorrect tyre pressure in one or both rear tyres	Correct tyre pressure
The rolling resistance is very high	Tyre pressure in rear tyres is too low	Correct tyre pressure
	Rear wheels not parallel	Ensure rear wheels are parallel
The front wheels wobble when moving fast	Too little tension in front wheel bearing block	Tighten the nut on the bearing block axle slightly
	Front wheel has worn smooth	Change front wheel
The front wheel is stiff or stuck	Bearings are dirty or faulty	Clean or replace the bearings



FRAME

Adjusting the frame

The seat width, seat depth, lower leg length and tipping point are determined by the design of the frame and cannot be changed retrospectively.

A modification of the tip behaviour can only be achieved by ordering a new, one-off backrest. The seat depth can be adjusted by changing the hole position.

Changing the frame

Please contact the Invacare Customer Service department if you wish to change the frame.



SEAT

Adjusting the seat height

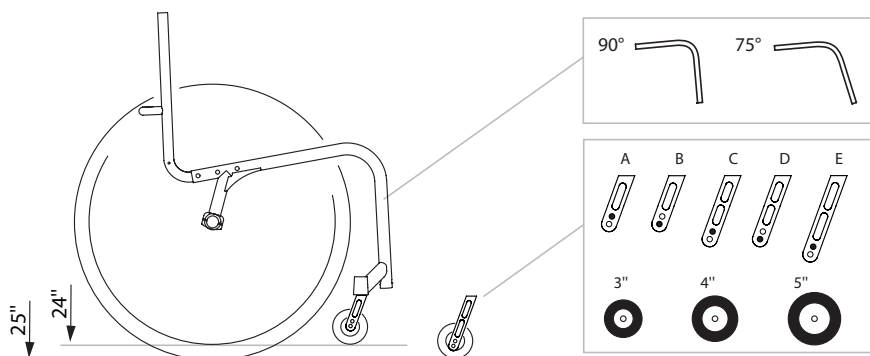
The seat height can only be adjusted by fitting a larger or smaller rear wheel and at the same time using a larger or smaller front wheel fork.

Possible front seat heights:	SHv [mm]	450 - 510 (530*)
------------------------------	----------	------------------

* From serial number 13G08000785

As the seat angle is dictated by the design of the frame, the seat height rear (SHh) also changes by 10 mm.

The following settings are possible:



To ensure that the frame is straight and the axles of the front wheel forks are perpendicular to the ground, choose one of the combinations listed in the table.

Front seat height (SHv) according to front wheel and rear wheel						
SHv [mm]	possible SHh [mm]	Rear wheel	Frame	Front wheel		
				3"	4"	5"
450 - 500 (520*)	400 - 480	24"	75°	D	C	B
			90°	B	A	--
460 - 510 (530*)	400 - 480	25"	75°	E	D	C
			90°	C	B	--

* From serial number 13G08000785

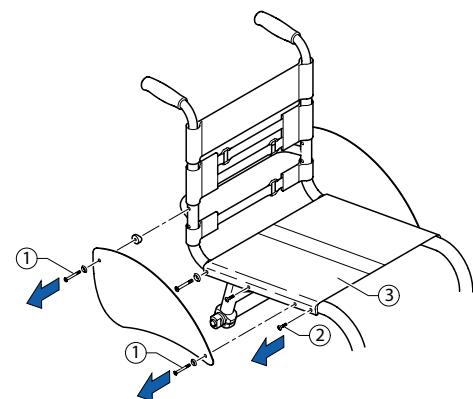
Replacing the seat cover

Difficulty: ●●● Tools: ● 3, 4, 5 ◻ 8, 10

- Remove mudguard or clothes guard by loosening bolts ①.
- Remove bolts ② on both sides of the seat cover. Remove seat cover ③ and replace with new one.

Owing to the tension inherent in the design of the frame, it may not be possible to fit the seat cover. In this case the axle holders must be undone.

- Undo axle holders
- Fit new seat cover ③ using bolts ②.
- Ensure the rear wheels are parallel, → Chap. Rear Wheels, Ensuring the rear wheels are parallel, and tighten axle holder bolts.
- Fit mudguard or clothes guard using bolts ①.



① → 7 Nm

② → 4 Nm



BACKREST


Adjusting the backrest height

Readjusting the push handle/telescopic tube

Difficulty: ●○○

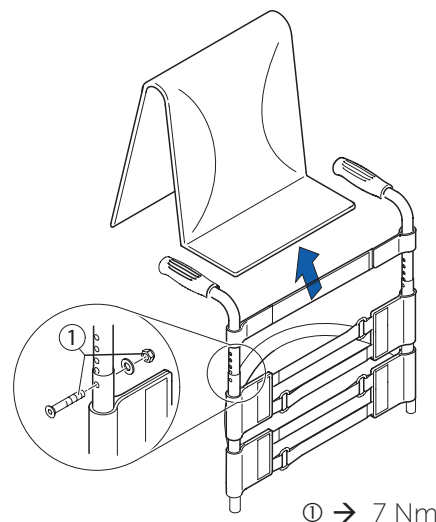
Tools: ●3 8

- Remove the backrest padding.
- Remove the screw connection ① and adjust the desired height of the push handle or the telescopic tube.
- Insert the screw connection ① again and tighten the nut.
- Carry out the same setting on both sides.
- Refit the backrest padding.

 If the desired height cannot be achieved, you must use a different telescopic tube or push handle. If the backrest height is too high, the backrest tube can be cut off and redrilled.

Possible backrest heights:

RH [mm]	270	285	300	315	330	345	360	375	390
---------	-----	-----	-----	-----	-----	-----	-----	-----	-----




From serial number 13G08000785: Readjusting the push handle/telescopic tube

Difficulty: ●○○

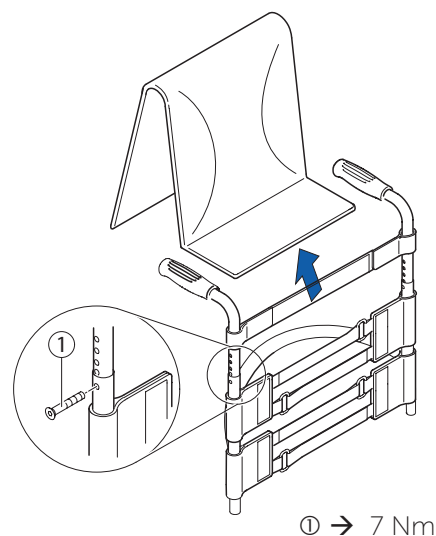
Tools: ●3

- Remove the backrest padding.
- Remove the bolt ① and adjust the desired height of the push handle or the telescopic tube by bringing the threaded insert to the appropriate position.
- Insert and tighten the bolt ① again
- Carry out the same setting on both sides.
- Refit the backrest padding.

 If the desired height cannot be achieved, you must use a different telescopic tube or push handle.

Possible backrest heights:

RH [mm]	270	285	300	315	330	345	360	375	390	405	420
---------	-----	-----	-----	-----	-----	-----	-----	-----	-----	-----	-----



Backrest angle

If you want to change the backrest angle, then the complete backrest will have to be replaced.

Possible backrest angles:

RW	74°	78°	82°	86°	90°
----	-----	-----	-----	-----	-----

 Changing the backrest angle also modifies the tipping point of the wheelchair.

Tipping point of the wheelchair

The tipping point of the wheelchair can only be modified by fitting a new backrest with a larger or smaller backrest angle. The seat depth can also be adjusted by changing the hole position.

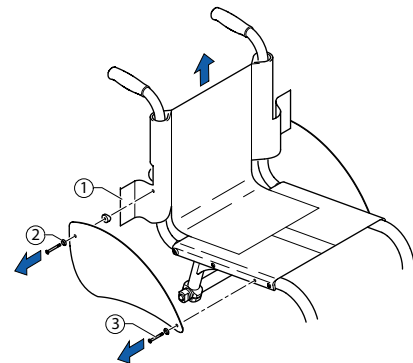


Replacing the Standard Light backrest cover

Difficulty: ●○○

Tools: ● 3 ○ 8 ✕ 2

- Remove push handles, if fitted, → Chap. Back, Replacing push handles.
- Remove bolts ② and ③, clothes guard or mudguard.
- Open the hook and loop fastener ① on both sides.
- Pull the backrest cover up and off and slip the new backrest cover over the backrest tubes.
- Close the hook and loop fasteners again on both sides.
- Fit mudguard or clothes guard.
- Fit push handles, if required.



② → 7 Nm

③ → 7 Nm


Replacing hook and loop tapes for adjustable backrests

Difficulty: ●●●

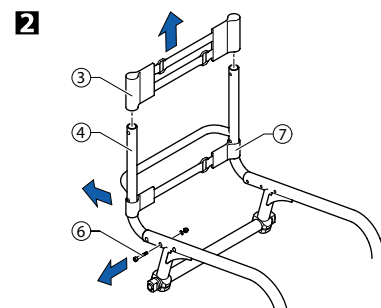
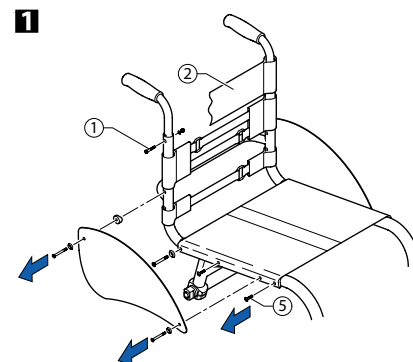
Tools: ● 3, 4, 5 ○ 8, 10 ✕ 2

The upper backrest bands can be taken straight off, the backrest must be removed in order to access the lower ones.

- Remove backrest cover.
- 1 Remove mudguard or clothes guard.
- Push the backrest band down in order to access the bolts ①.
- Remove nuts and bolts on both sides (From serial number 13G08000785: Remove bolts on both sides).
- Pull the push handle and end band ② out of the backrest tube (if fitted).
- 2 Pull the upper backrest band ③ off the backrest tube ④.
- Remove bolts ⑤ on both sides.
- Remove the seat cover, the bolts ⑥ on both sides and the backrest.
- Replace the lower backrest band ⑦ and put the backrest to one side.

 Owing to the tension inherent in the design of the frame, it may be extremely difficult to reposition the backrest in the frame. In this case the axle holders must also be undone.

- Undo axle holders
- Insert the new backrest and secure using bolts ⑥.
- Fit the seat cover, insert and tighten bolts ⑤.
- Ensure the rear wheels are parallel, → Chap. Rear wheels, Ensuring the rear wheels are parallel, and tighten axle holder bolts.
- Pull the upper backrest band ③ over the backrest tube ④.
- Refit the push handles and end band and secure using bolts ① and nuts on both sides (From serial number 13G08000785: secure using bolts on both sides).
- Fit mudguard or clothes guard.



① → 7 Nm

⑤ → 4 Nm

⑥ → 7 Nm




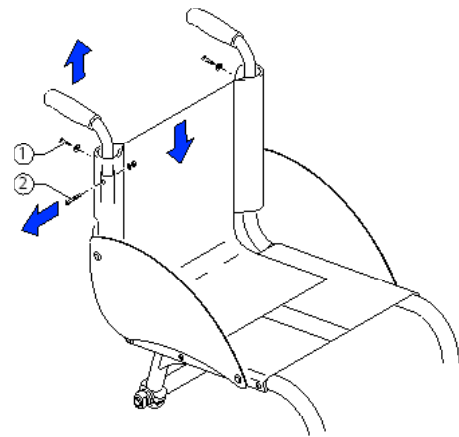
Replacing push handles with Light cover

Difficulty: ●●○

Tools: ● 3, 4 ✕2 ○ 8

- Remove screw ① on both sides.
- Push the cover down a little to expose the bolt connections ②.
- Remove bolt connections on both sides.
- If necessary, remove mudguard or clothes guard.
- Pull out push handle and replace with new one.
- Insert and tighten bolt connections ② on both sides.
- Fit cover to both push handles using screw ①.

 If a push handle is not going to be fitted, telescopic tubes with a new Light cover that is sealed at the top can be used.



① → 4 Nm


② → 7 Nm

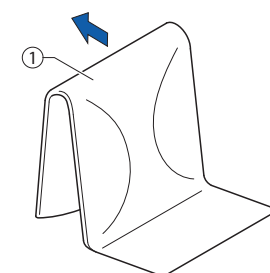
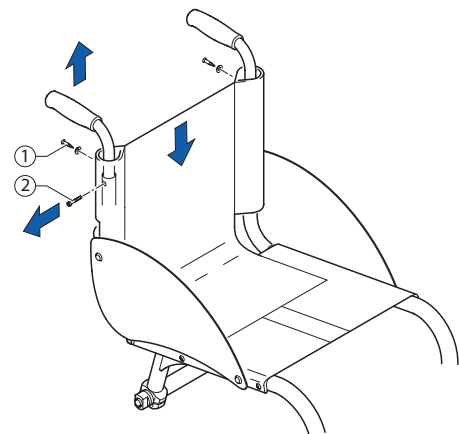
From serial number 13G08000785: Replacing push handles with Light cover

Difficulty: ●●○

Tools: ● 3, 4 ✕2

- Remove screw ① on both sides.
- Push the cover down a little to expose the bolt ②.
- Remove bolts from the backrest tube on both sides.
- If necessary, remove mudguard or clothes guard.
- Pull out push handle and replace with new one.
- Insert bolt ② through the backrest tubes and the new push handles and tighten bolts on both sides.
- Fit cover to both push handles using screws ①.

 If a push handle is not going to be fitted, telescopic tubes with a new Light cover that is sealed at the top can be used.



① → 4 Nm

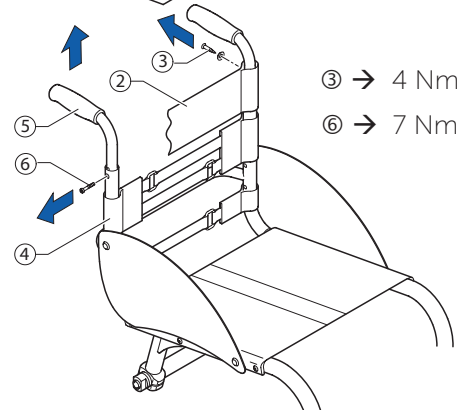
② → 7 Nm

Replacing push handles with adjustable backrest

Difficulty: ●●○

Tools: ● 3, 4 ○ 8 ✕2

- Remove backrest cover ①.
- Remove bolts ③ and end band ②.
- Push the backrest band ④ down a little to expose the bolt ⑥.
- Remove bolt on both sides.
- Pull the push handles ⑤ from the backrest tubes.
- Slip the end band ② over the new push handles.
- Fit the push handles in the desired position using the bolts ⑥. Secure the end band ② to the push handles again using the bolts ③.



③ → 4 Nm

⑥ → 7 Nm



Replacing foldable push handles

Difficulty: ●○○

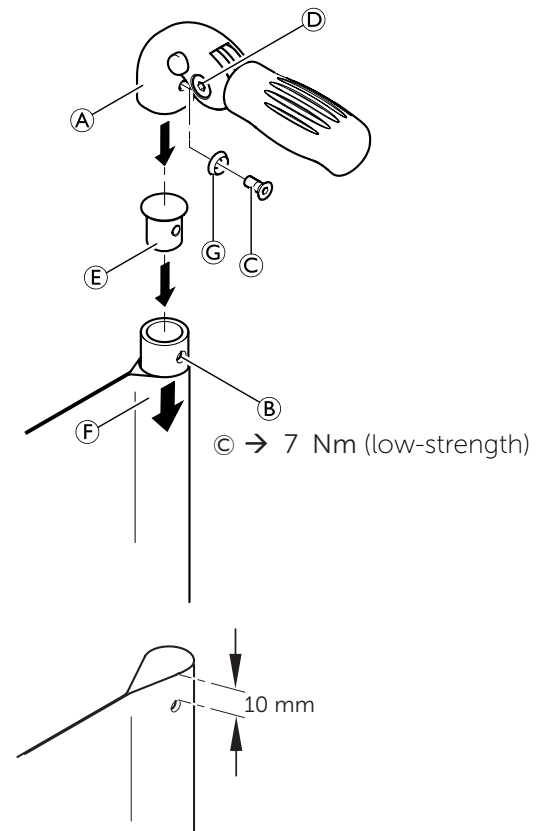
Tools: Hole punch pliers 6 mm, ● 3, 4

- Remove the old foldable push handle.
- Pull down the backrest cover (F) on the telescopic tube, until its hole (B) is uncovered.
- ! **IMPORTANT!**
 - Make sure that the threaded insert (E) (part no. 1580450) supplied with the new push handle is used for assembly.
- Place the threaded insert (E) in the telescopic tube.
- Punch a hole through the backrest cover with a distance of 10 mm from the upper edge, using hole punch pliers (see graphic below).
- Slide the new foldable push handle (A) onto the telescopic tube.
- Pull up the backrest cover, until it covers completely the rear hole in the pushhandle.
- Fix the foldable push handle with screw (C) and washer (G).
- Check screws (D) on both sides of the push handle and re-tighten if necessary.
- Carry out the same steps for the other push handle.

! **IMPORTANT!** Make sure that the folding force is approximately 5 N (0.5 kg).

! **IMPORTANT!** Fixing screw (C) may only be used once. Alternatively the screw can be cleaned (remove old thread locking adhesive) and reinstalled with new low-strength thread locking adhesive.

i The retrofit of foldable push handles requires new tubing.





Foldable backrest, angle adjustable (optional)

Optionally, a foldable, angle-adjustable backrest can be fitted.



For assembling a special Invacare training is necessary.

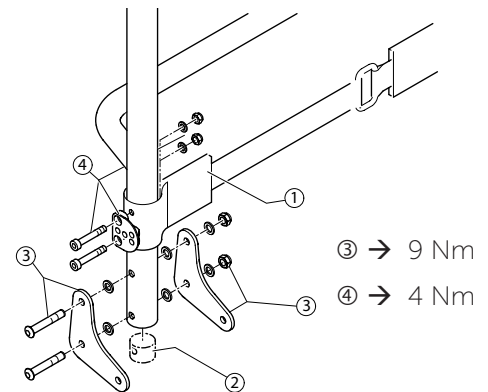


When switching to the foldable backrest, the axle of the rear wheels must also be replaced with a new one that is 2 cm wider, → Chap. Rear wheels, Replacing the axle.

Pre-assembling the foldable backrest

Difficulty: ●●● Tools: ● 3, 4, 5 ○ 8, 10

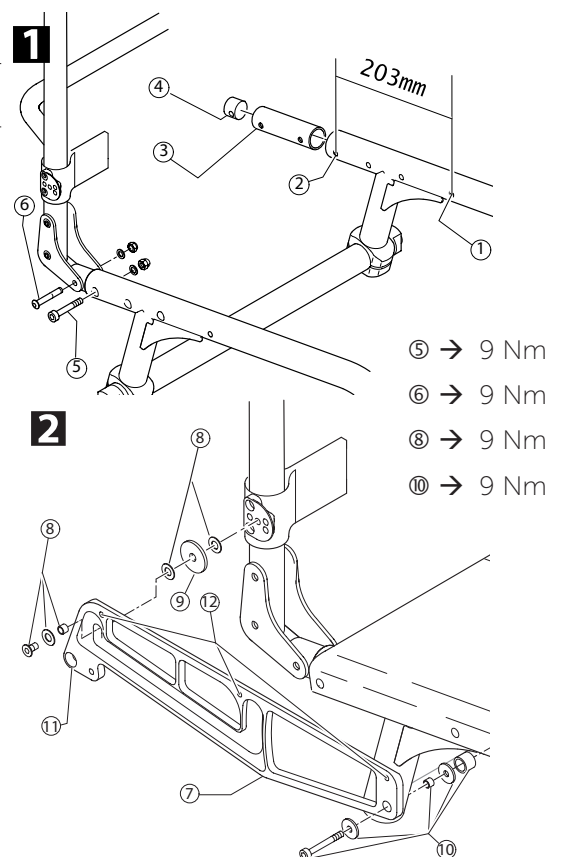
- Push the back band ① onto the back tubes.
- Fit the end plugs ② into the backrest tubes on both sides.
- Mount the backrest joint plates ③ on both backrest tubes.
- Fit the backrest angle adjustor ④ through the back band ① on both backrest tubes facing forwards or backwards, → Chap. Back, Backrest angle.



Fitting a foldable, angle-adjustable backrest

Difficulty: ●●● Tools: ● 3, 4, 5 ○ 8, 10
drill, drill bit: ø6.1

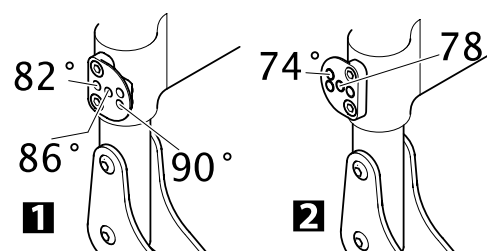
- Remove mudguard or clothes guard from both sides.
- Remove the seat cover.
- Remove old backrest.
- 1 Drill a new hole ① in the frame, on both sides, with ø 6.1 mm bit, at a distance of 203 mm from the rearmost hole ②.
- Re-fit the seat cover.
- Push the seat tube ③ into the frame on both sides and secure with bolt ⑤.
- Fit end plugs ④ into end of both seat tubes ③.
- Push the pre-assembled backrest onto seat tubes ③ and secure on both sides with bolt ⑥.
- 2 Secure support plate ⑦ using bolt ⑩ through the seat cover.
- Secure support plate ⑦ using bolt ⑧ (spacer, plastic washer, washer if required, bolt) and plastic washer ③ in the required adjustor position, → Chap. Back, Backrest angle.
- On both support plates, pull the strap through hole ⑩ and make a knot at both ends.
- Position the mudguard or clothes-guard on the support plate and drill at position ⑩.
- Screw the mudguard or clothes-guard onto the support plate (7 Nm).



Backrest angle

The backrest angle adjustor can be fitted facing forwards or facing backwards:


- 1 Fitted facing forwards for backrest angles 82, 86 and 90°.
- 2 Fitted facing backwards for backrest angles 74 and 78°.





FOOTRESTS

Three types of footrest are available: A footrest made from aluminium or titanium and a footrest with an adjustable footplate.

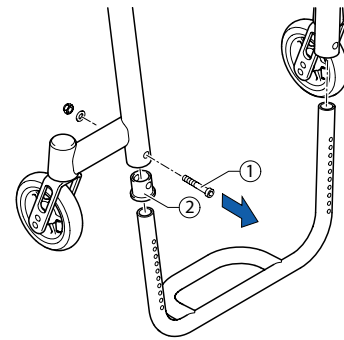
 The titanium footrest requires a different sleeve in order to secure it in the frame.

Replacing the footrest

Difficulty: ●○○

Tools: ● 4 ○ 8

- Remove bolts ① on both sides.
- Pull out footrest and replace with new one.
- Insert the bolts ① through the frame and into the nearest holes at the same height on both sides and tighten them.



① → 7 Nm / 4 Nm for titanium footrest

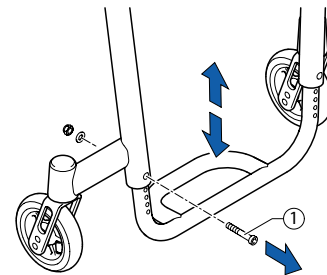
Adjusting the height of the footrest

Difficulty: ●○○

Tools: ● 4 ○ 8

The footrest can be adjusted in 10 mm steps.

- Remove bolts ① on both sides.
- Move the footrest to the required height.
- Insert the bolts ① through the frame and into the nearest holes at the same height on both sides and tighten them.



① → 7 Nm / 4 Nm for titanium footrest


Adjusting the angle of the footrest

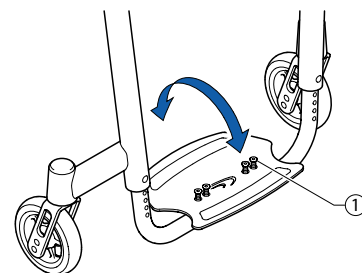
Difficulty: ●○○

Tools: ● 3 ○ 10

For option angle adjustable only.

- Undo the four bolts ① so that the footplate can be moved.
- Move the footplate to the required angle and tighten the bolted connections ① again.

 The bolts must be tightened very securely to prevent the footplate from moving.



① → 13 Nm



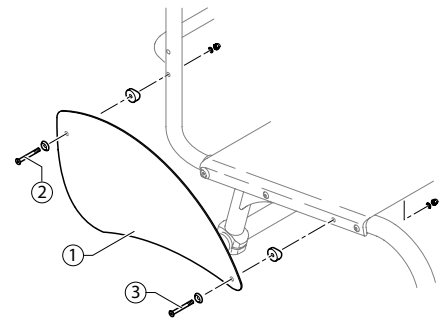
SIDES

Fitting the clothes guard

Difficulty: ●●○ Tools: ● 5, ◻ 8, drill, drill bit: ø5,2

i The clothes guard is customised to fit the geometry of the individual wheelchair. It must therefore only be replaced by another clothes guard of the same size.

- Remove bolts ② and ③ and the old clothes guard ①.
- Use the old clothes guard as a template by placing it on the new one and marking the position of the holes. Drill holes in the new clothes guard.
- Fit clothes guard using bolts ② and ③.



② → 7 Nm

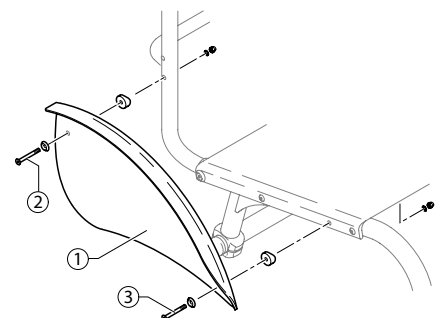
③ → 7 Nm

Fitting the mudguard

Difficulty: ●●○ Tools: ● 5, ◻ 8, drill, drill bit: ø5,2

i The mudguard is customised to fit the geometry of the individual wheelchair. It must therefore only be replaced by another mudguard of the same size.

- Remove bolts ② and ③ and the old mudguard ①.
- Use the old mudguard from the other side as a template by placing it on the new one and marking the position of the holes. Drill holes in the new mudguard.
- Fit mudguard using bolts ② and ③.



② → 7 Nm

③ → 7 Nm



FRONT WHEELS

Replacing the front wheel fork

Difficulty: ●○○

Tools: 10

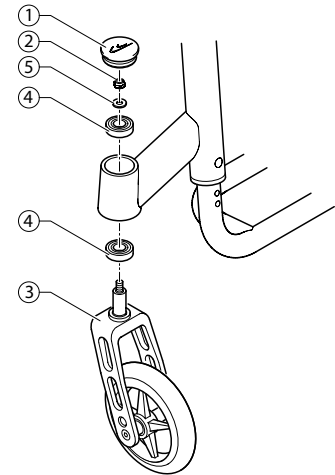
- Remove the sealing cap ①. Do this by inserting two screwdrivers into the notches and carefully prising the sealing cap out.
- Remove nut ② and washer ⑤.
- Remove the front wheel fork ③.
- Check bearings ④ and renew if necessary.



CAUTION!

Overtightening of the nuts ② may cause damage to the bearings ④.

- Insert the new castor fork and secure it using the washer ⑤ and nut ②.
- Fit the sealing cap ①.

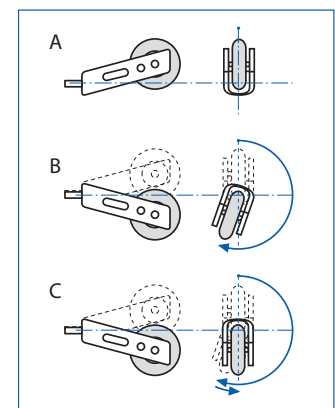


Function check:

Tip the wheelchair backwards by 90° so that it is lying on the backrest and the rear wheels. Make sure that the clevis pin is as horizontal as possible. Turn the fork upwards (position A) and let it tip downwards.

The fork has been correctly adjusted if it easily turns to slightly beyond the bottommost point (position B) and then maximally turns back to the bottommost point (position C).

If the fork turns back over the bottommost point or even swings back and forth, it has not been sufficiently tightened. There is a risk that the front wheels will start to wobble at high speeds.



Replacing the front wheel

Difficulty: ●○○

Tools: 2x3

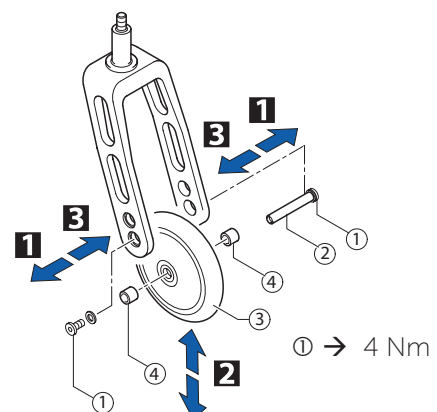
- 1 Remove bolts ①, pull out wheel axle ②.
- 2 Remove the front wheel ③ and replace with a new one or move to a new position.

Two extra sleeves per wheel are fitted for some front wheels.

- 3 Replace the axle ② and tighten bolt ①.

Functional check

There must be no pin in the wheel but it must turn easily.



Cleaning the front wheel bearings

- Check that the front wheels turn freely.
- Remove any dirt or hair from the front wheel bearings.




REAR WHEELS

Checking the tyre pressure

Tyre	Max. pressure		
	bar	kPa	psi
Low-resistance tyre	7	700	101
Treaded tyre (marathon)	7.5	750	108
Slick tyres (speed run)	10	1000	145
Mountain bike tyre	4	400	58
Tubed tyre, carbon wheel	14	1400	202

- Measure the tyre pressure.
- Inflate the tyres to the required pressure.
- Check the tyre tread. Change the tyres if necessary.

 The air pressure in tubed tyres on carbon wheels must be not less than 10 bar in order to prevent damage to the carbon rim.

Checking the spoke tension


The spokes may not be loose or distorted.

- Tighten any loose spokes with a suitable spoke spanner.
- Replace broken or distorted spokes and check that the wheel is running true.


Checking that removable axles are seated correctly

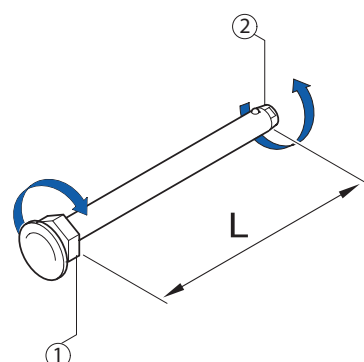
- To check that a removable axle is seated correctly, grasp the rear wheel by the hub and try to pull it off. You should not be able to pull it off and it must only exhibit a very small amount of play.
- If the rear wheels are not engaged properly, remove any dirt or deposits. If the problem persists, adjust the removable axles.

Adjusting the removable axles

Difficulty: ●○○ Tools:  11, 19

- Remove the rear wheel.
- Hold the end of the removable axle ② using the straddle spanner.
- Adjust the length L of the removable axle by turning the nut ①. The length is correctly adjusted if the removable axle engages correctly when fixing the wheel and wheel has just minimal clearance.

 The wheels must be exchanged (left to right side and vice versa) after adjusting both removable axles. The adjustment must now be checked or carried out again to ensure the wheels can be switched.



Replacing the rear wheels

Difficulty: ●●○

Proceed as follows if the rear wheels are replaced by ones of a different size or with other tyres:

- Check function of the parking brakes.
- Adjust seat height, → Chap. Seat, Adjusting the seat height.
- Check that the mudguard or clothes guard is positioned correctly.



Replacing the axle

Difficulty: ●●●

Tools: ● 5 — C 22

- Remove the wheels and unscrew bolts ① on both axle clamp components.
- Remove both axle clamp components and the axle.
- Insert new axle, re-attach the axle clamp components and bolts ①. Tighten the bolts only slightly.
- Ensure the wheels are parallel, → Chap. Rear wheels, Ensuring the rear wheels are parallel.

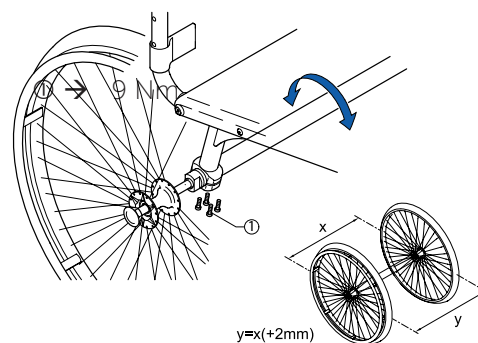
Ensuring the rear wheels are parallel

Difficulty: ●●○

Tools: ● 5 — C 22

The wheelchair will have ideal straight-line stability when the rear wheels are exactly parallel to one another.

- Place the wheelchair on a flat, even surface.
- Undo the bolts ① on the two axle clamp components.
- At the level of the axle, measure the distance between the wheels at the front (y) and back (x):
The distance at the front (y) must be precisely the same or up to 2 mm greater than the distance at the back (x). This difference evens itself out when someone sits in the wheelchair.
- Once the wheels are aligned tighten bolts ①.
- Check that the wheels are parallel once again.
- Check that the parking brakes are positioned and adjusted correctly.



Repairing or changing an inner tube

Difficulty: ●○○

Tool: tyre lever

- Remove the rear wheel and release any air from the inner tube.
- Lift one tyre wall away from the rim using a bicycle tyre lever. Do not use sharp objects such as a screwdriver which could damage the inner tube.
- Pull the inner tube out of the tyre
- Repair the inner tube using a bicycle repair kit or, if necessary, replace the tube.
- Inflate the tube slightly until it becomes round.
- Insert the valve into the valve hole on the rim and place the tube inside the tyre (the tube must lie right round the tyre with no creases).
- Starting close to the valve, push the tyre wall over the edge of the rim using both hands. When doing this, check all the way round to ensure that the inner tube is not trapped between the tyre and the rim.
- Inflate the tube to its maximum operating pressure, → Table, chap. Rear wheels, Checking the tyre pressure. Check that no air is escaping from the tyre.

Repairing or changing a solid tire

Solid tires must be fitted by a qualified technician.



BRAKES

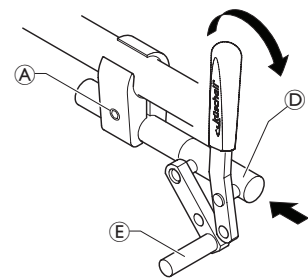
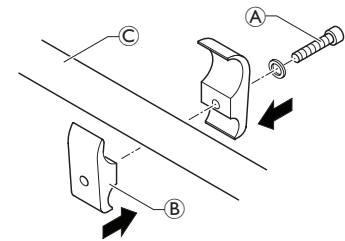
Parking brakes

Mounting the parking brake

Difficulty: ●●○

Tools: ● 5

- Position the brake holder (B) around the front frame tube (C).
- Place the brake (D) in the brake holder.
- Screw the bolt (A) with washer into the brake assembly but do not tighten.
- Rotate the brake holder assembly around the frame tube to adjust the lateral distance of the brake.
- Rotate the brake in the brake holder to achieve a horizontal position of the brake rod (E) to the tire.
- Fully apply the brake and slide it towards the tire until the brake rod bears flush against the tire.
- Release the brake and slide it 3 mm backwards and tighten the bolt.



(A) → 13 Nm

Adjusting the parking brake

Difficulty: ●○○

Tools: ● 5

WARNING! The parking brakes must be readjusted whenever the rear wheels are replaced or the wheel camber is changed.

The parking brake function is only guaranteed if the tire has the corresponding air pressure.

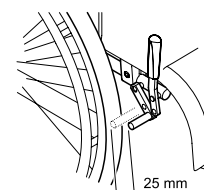
- Check the tire pressure in the rear wheels and correct if necessary.
- Slightly loosen bolt (A) of the brake holder.
- Change the position of the brake assembly as described above.
- Tighten the bolt.

IMPORTANT! The force to apply the brake must be 60 N (maximum).

i Very little force is required for activating and deactivating the brake. If necessary, a brake lever extension can be mounted.

Visual check

Check that the parking brakes are positioned correctly. The brake is set correctly if the brake rod depresses the tire by no more than 4 mm when the brake is applied. (In the case of push/pull and standard brakes this will be the case when the brake shoe is approx. 25 mm away from the tire when released.)



Function check

Place a weighted wheelchair with parking brake engaged facing uphill and then facing downhill on a ramp with an incline of 7°. The wheelchair must not move.



OPTIONS & ACCESSORIES

Fitting an antitipper

Difficulty: ●●●

Tools: ● 5

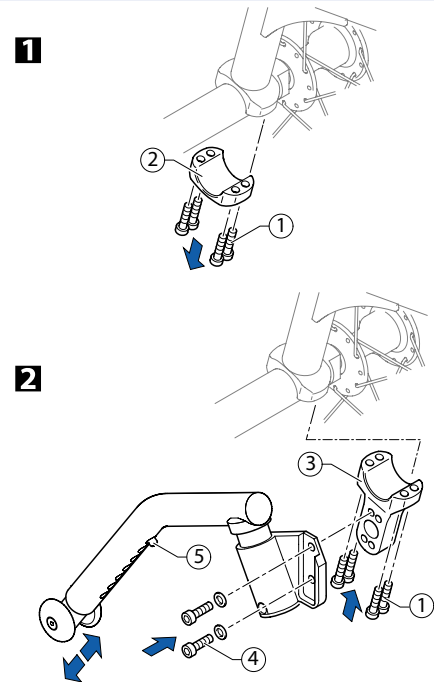
- 1 Undo bolt ① and remove the lower part of the axle holder ②.
- 2 Secure the adapter bracket ③ with a bolt ① and apply a low-strength adhesive (e.g. Loctite 243).
- Fit antitipper to adapter bracket ③. Tighten bolts ④.

Setting the height

- Push in adjusting knob ⑤ and pull the antitipper tube to the required position. Allow the adjusting knob to latch into one of the holes.

① → 9 Nm

④ → 9 Nm

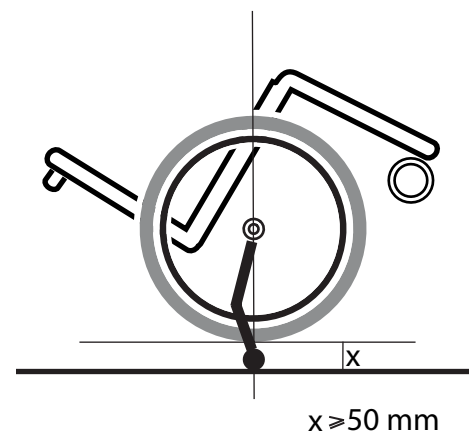


Function check:

The antitipper must be able to swing underneath the wheelchair without any difficulty.

The distance between the antitipper and the ground must be 50-70 mm. It must be easy to fold up the antitipper.

Tip the wheelchair backwards using the antitipper until the axle is perpendicular to the antitipper's point of contact with the ground. In this position, the distance between the rear wheel and the ground must be at least 50 mm.





Invacare France Operations
Route de St Roch
F-37230 Fondettes
France

Service Manual
THE KSL
ENGLISH | 2018-07

Invacare distributors:

Belgium & Luxembourg: Invacare nv • Autobaan 22 • B-8210 Loppem

Tel: (32) (0)50 83 10 10 • Fax: (32) (0)50 83 10 11 • belgium@invacare.com • www.invacare.be

Danmark: Invacare A/S • Sdr. Ringvej 37 • DK-2605 Brøndby

Tel: (45) (0)36 90 00 00 • Fax: (45) (0)36 90 00 01 • denmark@invacare.com • www.invacare.dk

Deutschland: Invacare GmbH • Alemannenstraße 10 • D-88316 Isny

Tel: (49) (0)75 62 7 00 0 • Fax: (49) (0)75 62 7 00 66 • kontakt@invacare.com • www.invacare.de

Eastern Europe, Middle East & CIS: Invacare EU Export • Kleiststraße 49 • D-32457 Porta Westfalica

Tel: (49) (0)57 31 754 540 • Fax: (49) (0)57 31 754 541 • webinfo-eu-export@invacare.com • www.invacare-eu-export.com

España: Invacare SA • c/Areny s/n • Polígono Industrial de Celrà • E-17460 Celrà (Girona)

Tel: (34) (0)972 49 32 00 • Fax: (34) (0)972 49 32 20 • contactsp@invacare.com • www.invacare.es

France: Invacare Poirier SAS • Route de St Roch • F-37230 Fondettes

Tel: (33) (0)2 47 62 64 66 • Fax: (33) (0)2 47 42 12 24 • contactfr@invacare.com • www.invacare.fr

Ireland: Invacare Ireland Ltd • Unit 5 Seatown Business Campus • Seatown Road • Swords • County Dublin – Ireland

Tel : (353) 1 810 7084 • Fax: (353) 1 810 7085 • ireland@invacare.com • www.invacare.ie

Italia: Invacare Mecc San s.r.l. • Via dei Pini 62 • I-36016 Thiene (VI)

Tel: (39) 0445 38 00 59 • Fax: (39) 0445 38 00 34 • italia@invacare.com • www.invacare.it

Nederland: Invacare BV • Galvanistraat 14-3 • NL-6716 AE Ede

Tel: (31) (0)318 695 757 • Fax: (31) (0)318 695 758 • nederland@invacare.com • www.invacare.nl

Norge: Invacare AS • Grensesvingen 9 • Postboks 6230 • Etterstad • N-0603 Oslo

Tel: (47) (0)22 57 95 00 • Fax: (47) (0)22 57 95 01 • norway@invacare.com • island@invacare.com • www.invacare.no

Österreich: Invacare Austria GmbH • Herzog Odilostrasse 101 • A-5310 Mondsee

Tel.: (43) 6232 5535 0 • Fax.: (43) 6232 5535 4 • info@invacare-austria.com • www.invacare.at

Portugal: Invacare Lda • Rua Estrada Velha • 949 • P-4465-784 Leça do Balio

Tel: (351) (0)225 1059 46/47 • Fax: (351) (0)225 1057 39 • portugal@invacare.com • www.invacare.pt

Sverige: Invacare AB • Fagerstagatan 9 • S-163 91 Spånga

Tel: (46) (0)8 761 70 90 • Fax: (46) (0)8 761 81 08 • sweden@invacare.com • finland@invacare.com • www.invacare.se

Suomi: Camp Mobility • Patamäenkatu 5 • 33900 Tampere

Tel: 09-35076310 • info@campmobility.fi • www.campmobility.fi

Schweiz/Suisse/Svizzera: Invacare AG • Benkenstrasse 260 • CH-4108 Witterswil

Tel.: (41) (0)61 487 70 80 • Fax.: (41) (0)61 487 70 81 • switzerland@invacare.com • www.invacare.ch

United Kingdom: Invacare Limited • Pencoed Technology Park,

Pencoed, Bridgend CF35 5AQ • Switchboard Tel: (44) (0)1656 776 200, Fax: (44) (0)1656 776 201 •

Customer services Tel: (44) (0) 1656 776 222 • Fax: (44) (0) 1656 776 220 • UK@invacare.com • www.invacare.co.uk

Australia: Invacare Australia Pty Ltd • ABN 45 074 676 378, PO Box 5002, 1 Lenton Place, North Rocks, NSW 2151, Australia •

Freephone: 1800 069 042, Fax: 02 8839 5353 • E-mail: sales@invacare.com.au • Web: www.invacare.com.au

New Zealand: Invacare New Zealand • PO Box 62-124, 4 Westfield Place, Mt. Wellington, Auckland, New Zealand •

Freephone: 8000 468 222, Freefax: 0800 807 788 • E-mail: sales@invacare.co.nz • Web: www.invacare.co.nz