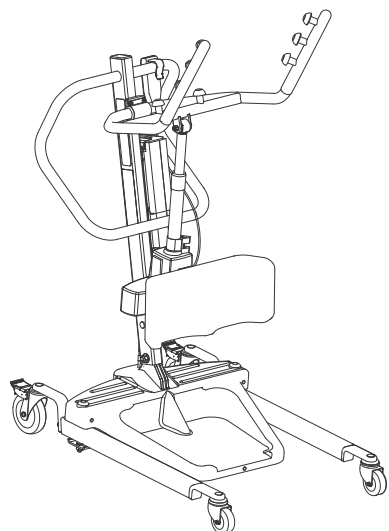


# Invacare® Stand Assist

RPS350-1E, RPS350-1FR



en	Patient Lift User Manual .....	3
de	Aufstehlift Gebrauchsanweisung .....	23
es	Grúa de bipedestación Manual del usuario .....	47
fi	Potilasnostin Käyttöohje .....	67
fr	Lève-personne verticalisateur Manuel d'utilisation .....	87
it	Sollevatore paziente Manuale d'uso .....	109
nl	Stand Assist Patiëntlift Gebruiksaanwijzing .....	133
no	Personløfter Bruksanvisning .....	155
pt	Elevador de transferência Manual de utilização .....	175
sv	Personlyft Bruksanvisning .....	197



This manual MUST be given to the user of the product.  
BEFORE using this product, read this manual and save for future  
reference.



**Yes, you can.®**

© 2018 Invacare Corporation.

All rights reserved. Republication, duplication or modification in whole or in part is prohibited without prior written permission from Invacare. Trademarks are identified by ™ and ®. All trademarks are owned by or licensed to Invacare Corporation or its subsidiaries unless otherwise noted.

—  
Alle Rechte vorbehalten. Die Weiterveröffentlichung, Vervielfältigung oder Änderung im Ganzen oder in Teilen ohne vorherige schriftliche Genehmigung von Invacare ist untersagt. Markenzeichen sind durch ™ und ® gekennzeichnet. Alle Marken sind das Eigentum der Invacare Corporation oder deren Tochtergesellschaften oder von diesen lizenziert, sofern nichts anderes angegeben ist

—  
Todos los derechos reservados. Prohibida la reedición, copia o modificación total o parcial sin previa autorización por escrito de Invacare. Las marcas comerciales se identifican con ™ y ®. Todas las marcas comerciales son propiedad de Invacare Corporation o de sus filiales, o bien Invacare Corporation o sus filiales cuentan con las correspondientes licencias, a menos que se estipule lo contrario.

—  
Kaikki oikeudet pidätetään. Koko materiaalin tai sen osan uudelleenjulkaisu, jäljentäminen tai muuttaminen on kiellettyä ilman Invacaren etukäteen antamaa kirjallista lupaa. Tavaramerkit ilmaistaan symboleilla ™ ja ®. Kaikki tavaramerkit ovat Invacare Corporationin tai sen tytäryhtiöiden omistamia tai lisensoimia, ellei toisin ole ilmoitettu

—  
Tous droits réservés. La republication, la duplication ou la modification de tout ou partie du présent document est interdite sans l'accord écrit préalable d'Invacare. Les marques commerciales sont identifiées par ™ et ®. Sauf stipulation contraire, toutes les marques commerciales sont détenues par Invacare Corporation ou ses filiales, ou concédées sous licence à celles-ci.

—  
Tutti i diritti riservati. È proibita la riproduzione, la duplicazione o la modifica integrale o parziale, salvo autorizzazione scritta da parte di Invacare. I marchi registrati sono contrassegnati da ™ e ®. Tutti i marchi sono di proprietà o licenza di Invacare Corporation o di sue affiliate salvo indicazione contraria.

—  
Alle rechten voorbehouden. Herpublicatie, duplicatie of modificatie in zijn geheel of gedeeltelijk is verboden zonder voorafgaande schriftelijke toestemming van Invacare. Handelsmerken zijn te herkennen aan ™ en ®. Alle handelsmerken zijn eigendom van of gelicentieerd aan Invacare Corporation of haar dochterondernemingen, tenzij anders aangegeven.

—  
Med enerett. Det er forbudt å republisere, kopiere eller endre hele eller deler av denne veiledningen uten at det på forhånd er innhentet skriftlig tillatelse fra Invacare. Varemerker er angitt med ™ og ®. Alle varemerker eies av eller lisensieres til Invacare Corporation eller tilhørende datterselskaper med mindre annet er angitt.

—  
Todos os direitos reservados. A republicação, duplicação ou modificação total ou parcial está interdita sem a autorização prévia por escrito da Invacare. As marcas comerciais são identificadas pelos símbolos ™ e ®. Todas as marcas comerciais são propriedade da ou estão licenciadas à Invacare Corporation ou às suas subsidiárias, excepto quando apresentada informação em contrário.

—  
Med ensamrätt. Innehållet får inte ges ut på nytt, mångfaldigas eller förändras helt eller delvis utan föregående skriftligt tillstånd från Invacare. Varumärken betecknas med ™ och ®. Samtliga varumärken tillhör eller är licensierade till Invacare Corporation eller dess dotterbolag om ingenting annat anges.

---

# Contents

---

This manual MUST be given to the user of the product.  
BEFORE using this product, read this manual and save for future reference.

<b>1 General</b>	<b>4</b>
1.1 Introduction	4
1.2 Symbols	4
1.3 Intended Use	4
1.3.1 Contraindications	5
1.4 Included Items	5
1.5 Service life	5
1.5.1 Additional information	5
1.6 Warranty information	5
1.7 Compliance	5
1.7.1 Product-specific standards	5
<b>2 Safety</b>	<b>6</b>
2.1 General Guidelines	6
2.2 Operating Information	6
2.2.1 General	6
2.2.2 Positioning	6
2.2.3 Disposal	7
2.3 Radio Frequency Interference	7
2.4 Product Labeling	7
<b>3 Setup</b>	<b>8</b>
3.1 Safe Assembly	8
3.2 Assembling the Mast to the Base	8
3.3 Preparing the Lift for Use	8
3.4 Installing the Shifter Handle	8
3.5 Attaching the Battery Charger Mounting Bracket to the Wall	8
<b>4 Usage</b>	<b>9</b>
4.1 Introduction	9
4.2 Closing/Opening Legs	9
4.2.1 Closing/Opening Manual Legs	9
4.3 Locking/Unlocking the Rear Casters	9
4.4 Raising/Lowering the Lift	9
4.4.1 Raising/Lowering an Electric Lift	9
4.5 Activating a Mechanical Emergency Release	9
4.5.1 Primary Emergency Release	9
4.5.2 Secondary Emergency Release	10
4.6 Performing an Emergency Stop	10
4.7 Charging the Battery	10
4.7.1 Battery Indicator	10
4.7.2 Using a Power Cord to Charge the Battery	10
4.7.3 Using the Battery Charger to Charge the Battery	11
<b>5 Lifting the Patient</b>	<b>12</b>
5.1 Safe Lifting	12
5.2 Positioning the Stand Assist Lift	12
5.3 Lifting the Patient	13
5.4 Moving the Patient	14
<b>6 Transferring the Patient</b>	<b>15</b>
6.1 Safe Transfer	15
6.2 Transferring to a Commode	15
6.3 Transferring to a Wheelchair	16
6.4 Transferring to a Bed	16
<b>7 Troubleshooting</b>	<b>17</b>
7.1 Troubleshooting Table	17
<b>8 Maintenance</b>	<b>18</b>
8.1 Maintenance Safety Inspection Checklist	18
8.2 Cleaning the Sling and the Lift	18
8.3 Reuse	18
8.4 Detecting Wear and Damage	19
8.5 Lubricating the Lift	19
8.6 Adjusting the Base	19
8.7 Replacing the Electric Actuator	19
8.8 Adjusting the Knee Pad Height	19
<b>9 Technical Data</b>	<b>21</b>
9.1 RPS3501E and RPS3501FR Stand Assist Patient Lift	21

# 1 General

## 1.1 Introduction

This user manual contains important information about the handling of the product. To ensure safety when using the product, read the user manual carefully and follow the safety instructions.

Note that there may be sections in this document, which are not relevant to your product, since this document applies to all available models (on the date of printing). If not otherwise stated, each section in this document refers to all models of the product.

The models and configurations available in your country can be found in the country-specific price lists.

Invacare reserves the right to alter product specifications without further notice.

Before reading this document, make sure you have the latest version. You find the latest version as a PDF on the Invacare website.

If you find that the font size in the printed document is difficult to read, you can download the PDF version from the website. The PDF can then be scaled on screen to a font size that is more comfortable for you.

For more information about the product, for example product safety notices and product recalls, contact your Invacare representative. See addresses at the end of this document.

## 1.2 Symbols

Signal words are used in this manual and apply to hazards or unsafe practices which could result in personal injury or property damage. See the information below for definitions of the signal words.



### WARNING!

- Warning indicates a potentially hazardous situation which, if not avoided, could result in death or serious injury.



### CAUTION!

- Caution indicates a potentially hazardous situation which, if not avoided, may result in property damage or minor injury or both.



### IMPORTANT

- Indicates a hazardous situation that could result in damage to property if it is not avoided.



Gives useful tips, recommendations and information for efficient, trouble-free use.



Date of manufacture.



This product complies with Directive 93/42/EEC concerning medical devices.

The launch date of this product is stated in the CE declaration of conformity.



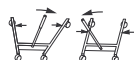
Read Manual



Audible tone when battery low. Refer to 4.7 *Charging the Battery, page 10.*



Caster lock.



Open/close Legs



Raise/lower the lift arms



Emergency stop



Safe Working Load



Double Insulated, Class II equipment



Type B applied part



Recycle this product. Refer 2.2.3 *Disposal, page 7.*

## 1.3 Intended Use



### WARNING!

#### Risk of Falling

The Invacare stand assist lift is NOT a transport device. It is intended to transfer an individual from one seated surface to another (such as a bed to a wheelchair).

Invacare slings and patient lift accessories are specifically designed to be used in conjunction with Invacare patient lifts.

To avoid injury or falls:

- Patients who are transferred and positioned using the stand assist lift MUST be cooperative, coherent and have head and neck control. Otherwise, injury may occur.
- Patients who are transferred and positioned using the stand assist sling MUST be able to support a majority of their own weight. Otherwise, injury or damage may occur. Refer to the sling user manual for more information.

Stand assist lifts are battery-powered transfer devices, designed to be used in most of the common lifting situations, for example:

- Between the bed and a wheelchair
- To and from the toilet

The stand assist lift is only intended to lift patients up to the maximum weight limit stated in technical data.

The product is intended for indoor use only.

Selecting the appropriate slings and accessories for each individual is important to assure safety when using a patient lift. See Invacare's sling and accessory user manuals for further information on those devices.

Invacare recommends that the patient be transferred to a shower chair or other means for bathing.

The stand assist lift can be turned (rotated) in place for transfers with limited floor space.

### 1.3.1 Contraindications

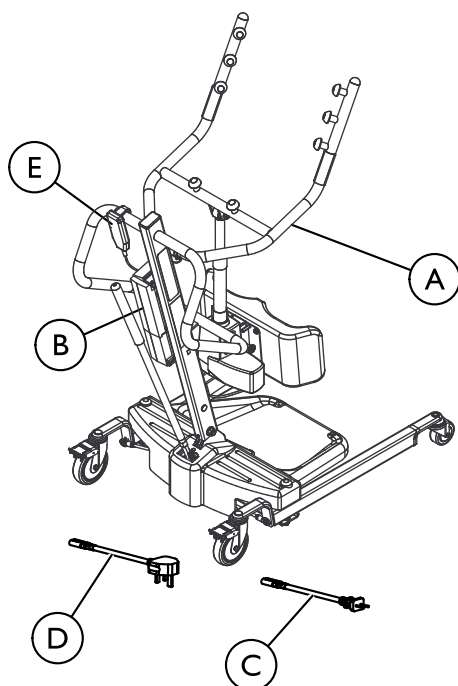
The stand assist patient lift is contraindicated for patients who:

- are not cooperative
- are not coherent
- do not have head and neck control

Some slings designed for the stand assist patient lift are contraindicated for patients who cannot support the majority of their weight. Refer to the sling user manual for more information.

### 1.4 Included Items

The items listed in the tables are included in your package. Slings are sold separately. The wall charger may be sold separately.



Item	Description	Quantity
A	Lifter	1
B	Battery	1
C	Charging Cord, EU	1
D	Charging Cord, UK (RPS350-1E only)	1

E	Hand Pendant	1
F	Lifter User Manual (not shown)	1

### 1.5 Service life

The expected service life of this product is eight years when used daily and in accordance with the safety instructions, maintenance intervals and correct use, stated in this manual. The effective service life can vary according to frequency and intensity of use.

#### 1.5.1 Additional information

The expected service life is based on an estimated average of 4 lifting cycles per day.

### 1.6 Warranty information

We provide a manufacturer's warranty for the product in accordance with our General Terms and Conditions of Business in the respective countries.

Warranty claims can only be made through the provider from whom the product was obtained.

### 1.7 Compliance

Quality is fundamental to the company's operation, working within the disciplines of ISO 13485.

This product features the CE mark, in compliance with the Medical Device Directive 93/42/EEC Class 1.

We are continuously working towards ensuring that the company's impact on the environment, locally and globally, is reduced to a minimum.

We only use REACH compliant materials and components.

We comply with the current environmental legislations WEEE and RoHS.

#### 1.7.1 Product-specific standards

The product has been tested and conforms to ISO 10535 (Hoists for the transfer of disabled persons) and all related standards.

For further information about local standards and regulations, contact your local Invacare representative. See addresses at the end of this document.

## 2 Safety

### 2.1 General Guidelines



#### WARNING!

– DO NOT use this product or any available optional equipment without first completely reading and understanding these instructions and any additional instructional material such as user manuals, service manuals or instruction sheets supplied with this product or optional equipment. If you are unable to understand the warnings, cautions or instructions, contact a healthcare professional, dealer or technical personnel before attempting to use this equipment - otherwise, injury or damage may occur.

#### ACCESSORIES WARNING

Invacare products are specifically designed and manufactured for use in conjunction with Invacare accessories.

Accessories designed by other manufacturers have not been tested by Invacare and are not recommended for use with Invacare products. In certain instances, the use of other manufacturer's slings may be possible.

– Contact your local Invacare office for more information about accessories.



#### NOTICE

– The information contained in this document is subject to change without notice.

Check all parts for shipping damage before using. In case of damage, DO NOT use the equipment. Contact the Dealer or Invacare representative for further instructions.

### 2.2 Operating Information

This section of the manual contains general safety information about your product. For specific safety information, refer to the appropriate section of the manual and procedures within that section. For instance, for safety information related to assembling the lift, refer to the Setup section of the manual.

#### 2.2.1 General



#### WARNING!

##### Risk of Falling

DO NOT attempt any transfer without approval of the patient's physician, nurse or medical assistant. Thoroughly read the instructions in this user manual, observe a trained team of experts perform the lifting procedures and then perform the entire lift procedure several times with proper supervision and a capable individual acting as a patient.

- Use common sense in all lifts. Special care MUST BE taken with people with disabilities who cannot cooperate while being lifted.
- Use steering handle on the mast at all times to push or pull the patient lift.
- Be sure to check the sling attachments each time the sling is removed and replaced, to ensure that it is properly attached before the patient is removed from a stationary object (bed, chair or commode).



#### WARNING!

##### Risk of Injury or Damage

Some surfaces may cause the lift to be unstable and cause injury or damage.

The lift can be used in the shower or bath area, but excessive moisture will damage the lift and may cause injury.

- Avoid using the lift on an incline. Invacare recommends that the lift only be used on a flat surface.
- DO NOT roll casterbase over uneven surfaces that may cause the patient lift to tip over.
- DO NOT use the patient lift in the shower or bath or in any prolonged moisture environment.
- Ensure that the patient lift is wiped clean of any moisture after use.
- DO NOT store the lift in a damp area or in a damp condition. Refer to the storage temperature, humidity and pressure ranges listed in *7.1 Troubleshooting Table, page 17*.
- Periodically inspect all components of the patient lift for signs of corrosion. Replace all parts that are corroded or damaged.

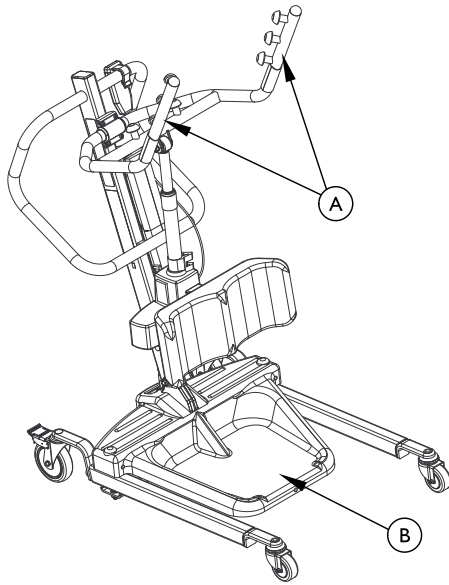
#### 2.2.2 Positioning



#### WARNING!

##### Risk of Injury

- ALWAYS be aware of the Lift Arms. Injury to the patient and/or assistant may occur.
- ALWAYS be aware of the Footrest, especially the patient's position on the footrest. Injury to the patient and/or assistant may occur.



- i A = Lift Arms
- B = Foot plate

### 2.2.3 Disposal



**WARNING!**  
**Environmental Hazard**

This product has been supplied from an environmentally aware manufacturer that complies with the Waste Electrical and Electronic Equipment (WEEE) Directive 2012/19/EU. Device contains lead acid batteries.

This product may contain substances that could be harmful to the environment if disposed of in places (landfills) that are not appropriate according to legislation.

- DO NOT dispose of batteries in normal household waste. They MUST be taken to a proper disposal site. Contact your local waste management company for information.
- Please be environmentally responsible and recycle this product through your recycling facility at its end of life.

### 2.3 Radio Frequency Interference



**WARNING!**  
**Risk of Injury or Damage**

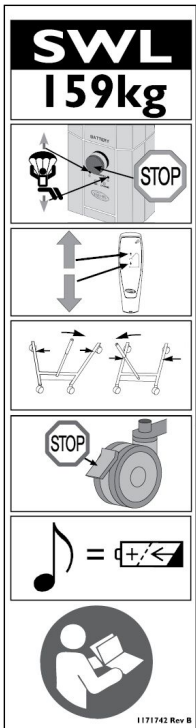
Most electronic equipment is influenced by Radio Frequency Interference (RFI).

CAUTION should be exercised with regard to the use of portable communication equipment in the area around such equipment, otherwise injury or damage may occur.

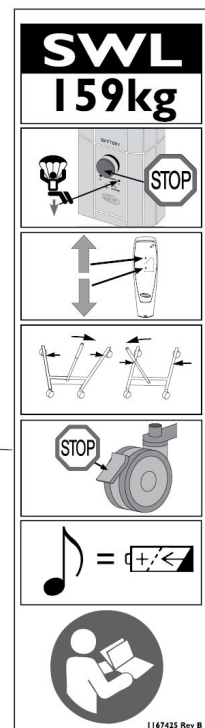
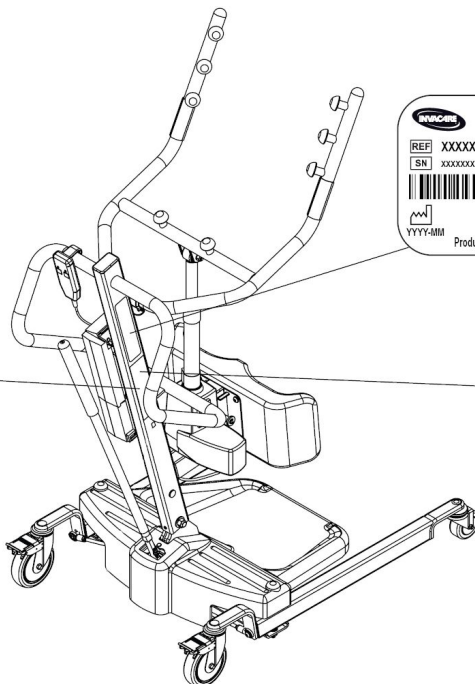
If RFI causes erratic behavior:

- PUSH the Red Power Switch OFF IMMEDIATELY.
- DO NOT turn the Power Switch ON while transmission is in progress.

### 2.4 Product Labeling



**RPS350-IFR**



**RPS350-IE**

### 3 Setup

#### 3.1 Safe Assembly



**WARNING!**

**Risk of Injury**

- Improper assembly may cause injury or damage.
- Assembly **MUST** be performed only by qualified personnel.
  - Use only Invacare parts in the assembly of this patient lift. The lift components are manufactured to specifications that assure correct alignment of all parts for safe functional operation.
  - **DO NOT** overtighten the mounting hardware. This will damage the mounting bracket.



There are no tools required to assemble the patient lift.

If there are any issues or questions during assembly, contact a local Invacare representative. Refer to the contact information in the back of this manual.

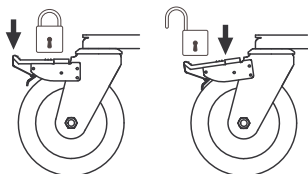
#### 3.2 Assembling the Mast to the Base



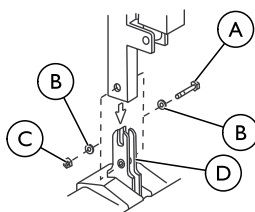
**WARNING!**

- Use only Invacare parts in the assembly of this patient lift. The base legs, the mast, boom, pump assembly and swivel bar are manufactured to specifications that assure correct alignment of all parts for safe functional operation.

**DETAIL A**



**DETAIL B**



Ⓐ Hex Bolt	Ⓒ Nut
Ⓑ Washer	Ⓓ Mounting Bracket



The mast assembly may be removed from the base for storage or transporting. The mast assembly **MUST** be properly secured to the base assembly before use.

1. Put the base on the floor.



Make sure all four casters make contact with the floor.

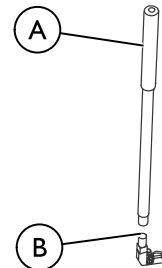
2. Lock both rear casters Refer to Detail A.

3. Remove the hex bolt, washers and nut that are located in the U-shape cut-out of the base Refer to Detail B.
4. Lift the mast to an upright position.
5. Lower the mast onto the mounting bracket.
6. Attach the mast to the base with the hex bolt, washers and nut. Tighten securely.

#### 3.3 Preparing the Lift for Use

Check and tighten all hardware **BEFORE** use.

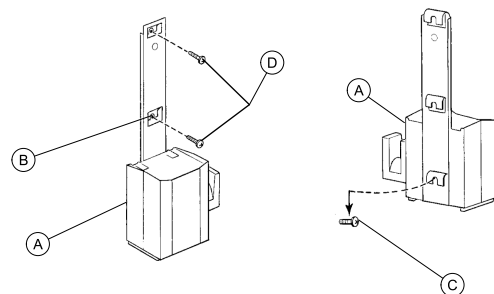
#### 3.4 Installing the Shifter Handle



Ⓐ Shifter Handle	Ⓑ Male Adapter in Base
------------------	------------------------

1. Remove the shifter handle from the packaging carton.
2. Thread the shifter handle onto the male adapter on the base.

#### 3.5 Attaching the Battery Charger Mounting Bracket to the Wall



Refer to your local regulations concerning proper mounting procedures.

This procedure only applies to RPS350–1E models.

1. Place the battery charger with mounting bracket Ⓐ on the wall at the desired position.
2. With a pencil, mark the middle hole Ⓑ position.
3. Measure down 6½ inches (16.5 cm) from the pencil mark and drill one mounting hole.
4. Install the bottom mounting screw Ⓒ until there is an approximate 1/8-inch (3 mm) gap between the screw head and the wall.
5. Install the battery charger with mounting bracket onto the bottom mounting screw.
6. Drill the remaining two mounting holes.
7. Install the two remaining mounting screws Ⓓ through the mounting bracket and into the wall. Tighten securely.
8. Plug the battery charger into the wall electrical outlet.



ON LED should illuminate.



## 4 Usage

### 4.1 Introduction

The operation of the patient lift is an easy and safe procedure.

**i** Before using the lift with a patient, refer to the following procedures for safety information and instruction:

- 2.2 *Operating Information, page 6*
- 5.3 *Lifting the Patient, page 13*

### 4.2 Closing/Opening Legs



#### **WARNING!** **Risk of Injury**

The lift could tip and endanger the patient and assistants.

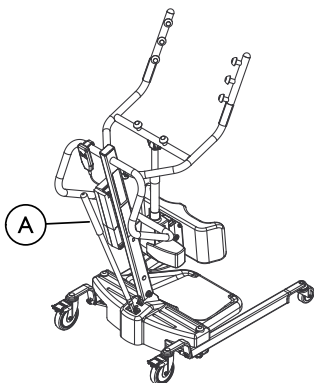
- The legs of the lift must be in the maximum open position for optimum stability and safety. If it is necessary to close the legs of the lift to maneuver the lift under a bed, close the legs of the lift only as long as it takes to position the lift over the patient and lift the patient off the surface of the bed. When the legs of the lift are no longer under the bed, return the legs of the lift to the maximum open position.

#### 4.2.1 Closing/Opening Manual Legs

The shifter handle is used to open or close the legs of the base for stability when lifting a patient.

**i** Refer to the safety information in 4.2 *Closing/Opening Legs, page 9* before performing this procedure.

Ⓐ = Shifter Handle



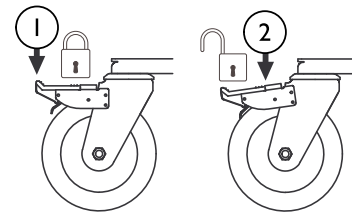
1. To close the legs:  
Pull the shifter handle OUT and away from the stand-up lift and then to your LEFT until it LOCKS in the notch of the bracket.

**i** Left is determined by standing behind the stand-up lift facing towards the front casters.

2. To open the legs:  
Pull the shifter handle OUT and away from the stand-up lift and then to your RIGHT until it LOCKS in the notch of the bracket.

**i** Right is determined by standing behind the stand-up lift facing towards the front casters.

### 4.3 Locking/Unlocking the Rear Casters



1. Step here to lock
2. Step here to unlock

### 4.4 Raising/Lowering the Lift



#### **WARNING!** **Risk of Injury**

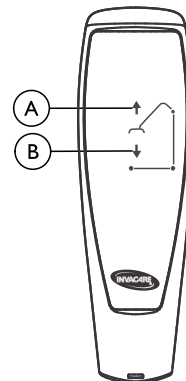
The lift could tip and endanger the patient and assistants.

- Invacare does recommend that the rear casters be left unlocked during lifting procedures to allow the patient lift to stabilize itself when the patient is initially lifted from a chair, bed or any stationary object.

#### 4.4.1 Raising/Lowering an Electric Lift



Refer to the safety information in 4.4 *Raising/Lowering the Lift, page 9* before performing this procedure.



1. To raise the lift — Press and hold the UP Ⓐ button to raise the boom and the patient.
2. To lower the lift — Press and hold the DOWN Ⓑ button to lower the boom and the patient.

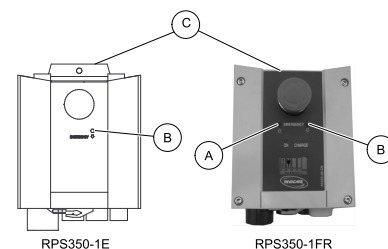


Release the button to stop raising or lowering the lift.

### 4.5 Activating a Mechanical Emergency Release

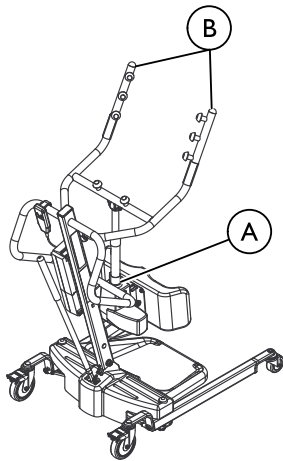
There are two types of mechanical emergency release — primary and secondary.

#### 4.5.1 Primary Emergency Release



1. Insert a pen into the hole labeled Emergency Up Ⓐ or Emergency Down Ⓑ on the control box Ⓒ.

## 4.5.2 Secondary Emergency Release



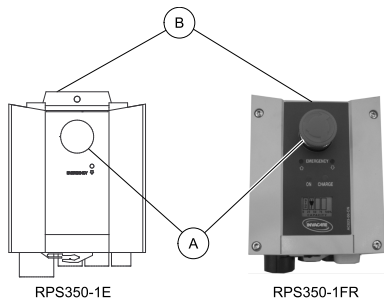
A RED Emergency Grip	B Lift Arms
----------------------	-------------

**i** It is recommended that the primary emergency release be used. The secondary emergency release is only a back-up to the primary emergency release.

In cases where the primary release is either not functioning or unreachable, a secondary emergency release may be used.

1. Pull up on the EMERGENCY grip A and push down on the lift arms B at the same time.

## 4.6 Performing an Emergency Stop



1. Press the RED button A on the control box B in to stop the boom and patient from raising or lowering.
2. To reset, rotate the emergency button clockwise.

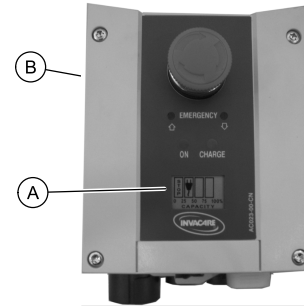
## 4.7 Charging the Battery

**i** Invacare recommends the battery be recharged daily to prolong battery life.

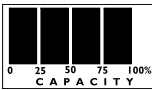
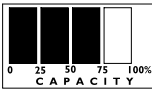
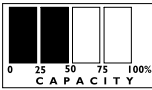
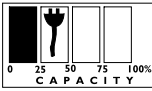
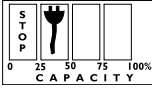
There are two different methods to charge the battery. One method uses a power cord that attaches to the control box, and the other requires the battery to be mounted to the battery charger. Follow the appropriate procedure to charge the battery for your patient lift.

### 4.7.1 Battery Indicator

**i** This procedure only applies to the RPS350-1FR models.



The battery indicator A is located on the control box B. The LEDs indicate the battery state:

Control Box Battery Indicator A	Battery State	Description
	Full Charge (100%)	The battery is OK — no need for charging (100%).
	Partial Charge (75%)	The battery is OK — no need for charging (75%).
	Partial Charge (50%)	The battery needs to be charged (50%).
	Low Charge (25%)	The battery needs to be charged (25%). The horn beeps when a button is pressed.
	Low Charge (0%)	<p>The battery needs to be charged.</p> <p>Some of the functionality of the lift is lost and it is only possible to lower the boom.</p> <p>An audible alarm will sound (horn will beep) when battery is low. If the audible alarm sounds during a transfer, complete that transfer and then charge the battery.</p>

### 4.7.2 Using a Power Cord to Charge the Battery



**i** This procedure only applies to the RPS350-1FR.

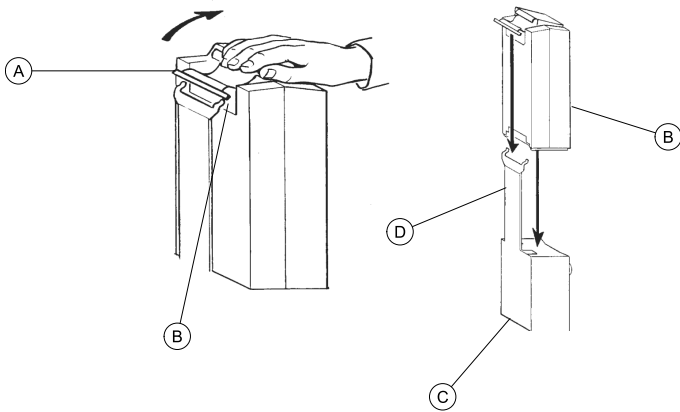
A = Power Cord Connects Here

**CAUTION!**

– The emergency stop **MUST NOT** be activated - otherwise it will be impossible to charge the battery. While charging takes place, the patient lift cannot be used. **DO NOT** attempt to move the patient lift without unplugging the power cord from the wall outlet. **DO NOT** attempt to use the patient lift if the battery housing is damaged. Replace a damaged battery housing before any further use.

1. Attach the power cord to the control box.
2. Plug the power cord into a power outlet.
  - The battery will charge in approximately 4 hours. Charging must be done in a room with good air ventilation.
3. Disconnect the power cord from the power outlet after the battery has been fully charged.

### 4.7.3 Using the Battery Charger to Charge the Battery



This procedure only applies to the RPS350–1E.

1. Lift up on the handle (A) on the back of the battery (B).
2. Lift the battery up and out away from the control box (C).

**CAUTION!**

Mounting the battery improperly may cause injury or damage.

– Make sure there is an audible click when mounting battery on the battery charger to confirm proper mounting.

3. Place the battery on the battery charger (D) as shown. Make sure there is an audible click.



The charge LED will illuminate. When charging is complete, charge LED will stop illuminating. A battery needing to be fully recharged will take approximately four hours.

4. Lift up on the handle on the back of the battery.
5. Lift the battery up and out away from the battery charger.

**CAUTION!**

Mounting the battery improperly may cause injury or damage.

– Make sure there is an audible click when mounting battery on the control box to confirm proper mounting.

6. Reinstall the battery onto the control box as shown. Make sure there is an audible click.



The battery mounts to the control box and battery charger as shown.

## 5 Lifting the Patient

### 5.1 Safe Lifting



#### WARNING!

- DO NOT exceed the maximum weight limitation (SWL) of 159 kg (25 stone).
- DO NOT attempt to any transfer without approval of a Healthcare Professional.
- ALWAYS keep hands and fingers clear of moving parts to avoid injury.
- During transfer, with the patient suspended in the sling, DO NOT roll the base of the lift over any uneven surfaces that would cause the lift to become unstable.
- Use the steering handle on the mast assembly at all times to push or pull the stand assist lift.



#### WARNING!

##### Operating the Lift and Lifting the Patient

- Ensure equipment used with the stand assist lift is of adequate strength to lift the load (e.g. sling). Ensure that should the equipment malfunction that the person being lifted is not exposed to danger.
- Before positioning the legs of the stand assist lift around the patient, make sure that the patient's feet are out of the way of the foot plate, otherwise injury may occur.
- Adjustments for safety and comfort should be made before moving the patient. Patient's arms should be outside of the sling straps.



#### WARNING!

##### Operating the Lift and Lifting the Patient

- Before lifting a patient from a stationary object (wheelchair, commode or bed), slightly raise the patient off the stationary object and check that all sling attachments are secure. If any attachment is not correct, lower the patient and correct the problem, then raise the patient and check again.
- During transfer, with the patient suspended in a sling attached to the lift, DO NOT roll caster base over uneven surfaces that would create an imbalance of the patient lift and could cause the patient lift to tip over. Use steering handle on the mast at ALL times to push or pull the patient lift.
- Invacare recommends locking the rear swivel casters ONLY when positioning or removing the sling (stand assist or transfer) from around the patient.
- Invacare does NOT recommend locking of the rear casters of the patient lift when lifting an individual. Doing so could cause the lift to tip and endanger the patient and assistants. Invacare DOES recommend that the rear casters be left unlocked during lifting procedures to allow the patient lift to stabilize itself when the patient is initially lifted from a chair, bed or any stationary object.



#### WARNING!

##### Using the Sling

- Use the sling that is recommended by a Healthcare Professional for the comfort and safety of the individual that is being lifted.
- Individuals that use the stand assist sling MUST be able to support the majority of their own weight, otherwise injury may occur.
- Bleached, torn, cut, frayed or broken slings are unsafe and their use could result in injury or damage. Discard any sling that meets these criteria IMMEDIATELY.
- DO NOT alter slings.
- Be sure to check the sling attachments each time the sling is removed and replaced, to ensure that it is properly attached before the patient is removed from a stationary object (bed, chair or commode).
- If the patient is in a wheelchair, activate the wheelchair brakes to prevent the chair from moving forwards or backwards.
- Consideration should be taken that prevents exposure to danger to the person being lifted, and that the person can be freed without injury.



#### WARNING!

##### Stand Assist Sling

- DO NOT use the stand assist sling in combination with the patient lift as a transport device. It is intended to transfer an individual from one resting surface to another (such as a bed to a wheelchair).
- Before lifting the patient, make sure the bottom edge of the stand assist sling is positioned on the lower back of the patient and the patient's arms are outside the stand assist sling. The belt MUST be snug, but comfortable on the patient, otherwise the patient can slide out of the sling during transfer possibly causing injury.
- The belt MUST be snug, but comfortable on the patient, otherwise the patient can slide out of the sling during transfer, possibly causing injury.

##### Transfer Stand Assist Sling

- Before lifting the patient, make sure the bottom edge of the transfer sling is at the base of the spine and the patient's arms are outside the transfer sling.
- DO NOT raise the patient to a full standing position while using the transfer sling, otherwise injury may occur.



Refer to the patient sling brochure for more information.

### 5.2 Positioning the Stand Assist Lift



Refer to the Safety section in this manual and review the information in *5.1 Safe Lifting, page 12* before proceeding further and observe all warnings indicated.

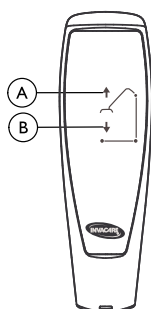
Before positioning the legs of the patient lift under a bed, make sure that the area is clear of any obstructions.



**WARNING!**  
**Risk of Injury**

The lift could tip and endanger the patient and assistants.

- The legs of the lift must be in the maximum open position for optimum stability and safety. If it is necessary to close the legs of the lift to maneuver the lift under a bed, close the legs of the lift only as long as it takes to position the lift over the patient and lift the patient off the surface of the bed. When the legs of the lift are no longer under the bed, return the legs of the lift to the maximum open position.



(A) UP Button	(B) DOWN Button
---------------	-----------------

1. Ensure the legs of the stand assist lift are in the maximum open position. If not, use the shifter handle to open the legs.
2. Position the stand assist lift using the mast handle.
3. Press the down arrow button on the hand control to lower the lift arms for easy attachment to the sling.

### 5.3 Lifting the Patient



**WARNING!**

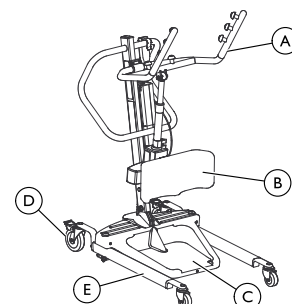
- DO NOT exceed the maximum weight limitation (SWL) of 159 kg (25 stone).
- Individuals that use the stand assist sling **MUST** be able to support the majority of their own weight, otherwise injury may occur.
- DO NOT lock the rear casters of the stand assist lift when lifting an individual. Locking the rear casters could cause the stand assist lift to tip and endanger the patient and assistants. Unlocking the rear casters during lifting procedures allows the lift to stabilize itself while the patient is initially lifted from a wheelchair, bed of any stationary object.
- DO NOT move the patient if the sling is not properly attached to the attachment points on the stand assist lift.
- Make sure that the sling is properly attached **BEFORE** lifting the patient. If any attachments are not properly in place, correct the problem. When the sling is elevated a few inches/cm off the stationary surface and before moving the patient, check again to make sure the sling and all attachments are securely in place. If any problem is found, lower the patient back onto the stationary surface and correct the problem - otherwise, injury or damage may occur.
- Adjustments for safety and comfort should be made before moving the patient.



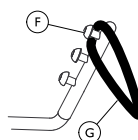
**WARNING!**

- Use the sling that is recommended by the individual's doctor, nurse or medical assistant for the comfort and safety of the individual that is being lifted. Invacare patient slings are made specifically for use with Invacare patient lifts. It may in certain instances, be possible to use other manufacturer's slings on Invacare lifts. Contact your local Invacare office for more information.

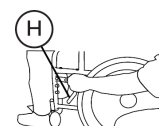
#### Detail A — Stand Assist Lift



#### Detail B — Sling Attachment



#### Detail C — Brakes



(A) Hand Grips	(E) Leg
(B) Knee Pad	(F) Hook
(C) Foot Plate	(G) Loop of sling
(D) Rear Caster	(H) Brake



Refer to the patient sling user manual for more information.

The patient **MUST** be in a seated position first. Use the head section of the bed to get the patient upright then move legs over the side of the bed.

1. Instruct the patient to hold onto the hand grips on both sides of the stand assist lift (Detail A).
2. Instruct the patient to lean back into the standing or transfer sling.




**WARNING!**

- Stand Assist Slings - Before lifting the patient, make sure the bottom edge of the sling is positioned on the lower back of the patient and the patient's arms are outside the sling.
- Transfer Stand Assist Slings - Before lifting the patient, make sure the bottom edge of the sling is at the base of the spine and the patient's arms are outside the sling.

3. Ensure the following:
  - a. The patient's knees are secure against the knee support.
  - b. The patient's feet are properly positioned on the foot plate.
  - c. Slings:
    - the bottom edge of the stand assist sling is positioned on the patient's lower back.
    - the bottom edge of the transfer stand assist sling is at the base of the patient's spine.
    - the patient's arms are outside the sling.
    - the loops of the sling are completely on the hooks of the lift arms (Detail B).
  - d. The rear casters are unlocked.
  - e. The legs are in the maximum open position.

**WARNING!**

- If transferring a patient from a wheelchair, the wheelchair brakes **MUST** be in the locked position before lowering the patient into the wheelchair. Otherwise, injury may occur.

4. If transferring from a wheelchair, engage the brakes on the wheelchair (Detail C).
  5. Press the UP arrow button on the hand control to raise the patient above the surface (bed, wheelchair or commode). The patient's weight will be fully supported by the stand assist lift.
-  The lower center of gravity provides stability making the patient feel more secure and the lift easier to move.

## 5.4 Moving the Patient

**WARNING!**

- The legs of the stand assist lift **MUST** be in the maximum open position for optimum stability and safety. If the patient is in a sling and it becomes necessary to move through a narrow passage, close the legs of the stand assist lift only as long as it takes to move through the passage. When the stand assist lift is through the passage, return the legs to the maximum open position.
- **DO NOT**, during transfer of a patient suspended in the lift sling, roll caster base over uneven surfaces that would create an imbalance of the lift. This could cause the lift to tip over. Use the mast handle at all times to push or pull the lift.

1. Ensure the legs of the stand assist lift are in the maximum open position. If not, press the OPEN LEGS button on the hand control to move the legs to the maximum open position.
2. Move the stand assist lift away from the surface they were lifted from.
3. Slowly move the patient to the desired surface.

## 6 Transferring the Patient

### 6.1 Safe Transfer



#### WARNING!

- DO NOT exceed the maximum weight limitation (SWL) of 159 kg (25 stone).
- DO NOT attempt to transfer a patient without approval of a Healthcare Professional. Thoroughly read the instructions in this owner's manual, observe a trained team of experts performing the lifting procedures and then perform the entire lift procedure several times with proper supervision and a capable individual acting as a patient. Training can be provided. Contact your local Invacare office for more information.
- DO NOT move the patient if the sling is not properly connected to the attachment points of the stand assist lift. Check that the sling is properly connected to the attachment points prior to lifting a patient. If any attachments are not properly in place, correct the problem. When the sling is elevated a few inches/cm off the stationary surface and before moving the patient, check again to make sure that all sling attachments are secure. If any attachments are not properly in place, lower the patient back onto the stationary surface and correct this problem - otherwise, injury or damage may occur.
- Adjustments for safety and comfort should be made before moving the patient. The patient's arms should be outside the straps.

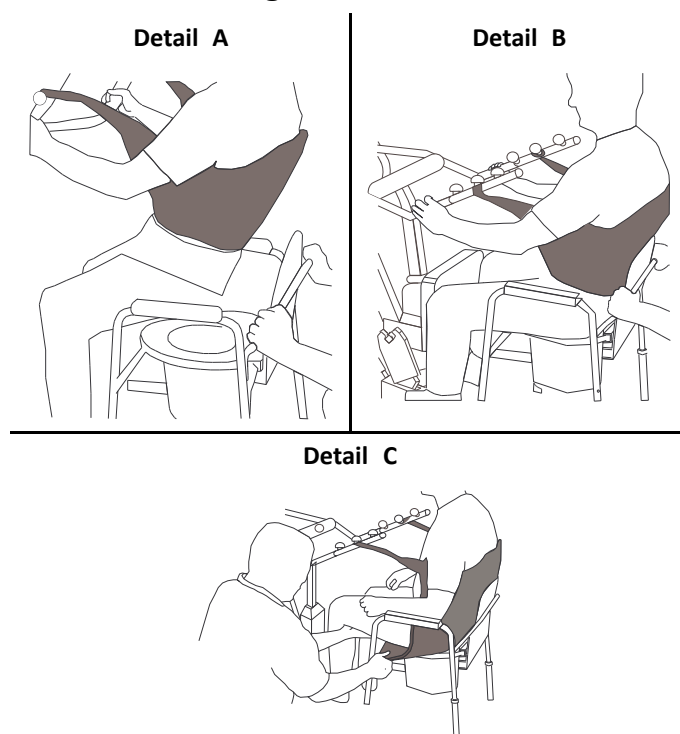


#### WARNING!

- Use the sling that is recommended by a Healthcare Professional for the comfort and safety of the individual that is being lifted.
- DO NOT lock the rear casters of the stand assist lift when lifting an individual. Locking the rear casters could cause the stand assist lift to tip and endanger the patient and assistants.
- The legs of the stand assist lift **MUST** be in the maximum open position for optimum stability and safety. If the patient is in a sling and it becomes necessary to move through a narrow passage, close the legs of the stand assist lift only as long as it takes to move through the passage. When the stand assist lift is through the passage, return the legs to the maximum open position. If it is necessary to close the legs to maneuver the stand assist lift under a bed, close the legs only as long as it takes to position the stand assist lift over the patient and lift the patient off the surface of the bed. When the legs of the stand assist lift are no longer under the bed, return the legs to the maximum open position.
- Be sure to check the sling attachments each time the sling is removed and replaced to ensure that it is properly attached before the patient is removed from a surface.

The use of one assistant is based on the evaluation of the health care professional for each individual case.

### 6.2 Transferring to a Commode



#### WARNING!

- Invacare recommends locking the rear swivel casters only when positioning or removing the sling from around the patient.

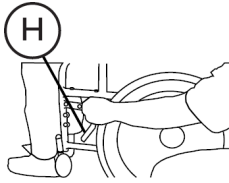
1. Lift the patient from the side of the bed.
2. Press the UP button on the hand control to elevate the patient high enough to clear the arms of the commode chair. Their weight will be supported by the stand assist lift.
3. Guide the patient onto the commode chair. This may require two assistants.
4. Press the down arrow button to lower the patient onto the commode chair.
5. Lock the rear swivel casters on the stand assist lift.
6. Depending on the style of sling, perform one of the following:
  - Stand Assist Sling - unhook the stand assist sling from the attachment points on the stand assist lift.
  - Transfer Stand Assist Sling -
    - a. Unhook the transfer stand assist sling from the bottom attachment points on the stand assist lift.
    - b. Lift up on the patient's legs and remove the thigh supports from underneath the patient.
    - c. If desired, unhook the transfer stand assist sling from the top attachment points on the stand assist lift.
7. Instruct or assist the patient in lifting their feet off the foot plate.
8. Remove the sling from around the patient.
9. Unlock the rear casters and pull the stand assist lift away from the commode.
10. When complete, recheck the sling for correct attachments.



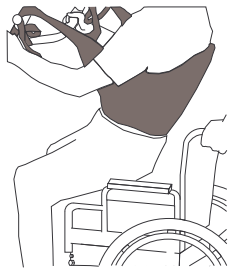
The patient can remain in the upper portion of the transfer stand assist sling while using the commode.

## 6.3 Transferring to a Wheelchair

Detail A




Detail B



Detail C



 **H** = Wheelchair Brake

1. Ensure the legs of the lift with the patient in the sling are in the open position.
2. Move the wheelchair into position.
3. Engage the brakes of the wheelchair to prevent movement of the chair (Detail A).



**WARNING!**

– DO NOT place the patient in the wheelchair if the brakes are not engaged. The wheelchair brakes MUST be in a locked position before lowering the patient into the wheelchair for transport. Otherwise, injury may result.

4. Position the patient over the wheelchair (Detail “B”).

5. Press the down arrow button and lower the patient into the wheelchair.



**WARNING!**


– Lock the rear swivel casters ONLY when positioning or removing the sling (stand assist or transfer stand assist) from around the patient. Otherwise, injury may occur.

6. Lock the rear swivel casters.
7. Unhook the sling from all attachment points on the lift (Detail C).
8. Instruct patient to lift their feet off the foot plate. Assist the patient if necessary.
9. Remove the sling from around the patient.
10. Unlock the rear casters and pull the stand assist lift away from the wheelchair.

## 6.4 Transferring to a Bed




The lower center of gravity provides stability making the patient feel more secure and the lift easier to move.

1. Position the patient as far over the bed as possible.
  -  If patient is being transferred from a surface that is lower than the bed, press the up arrow button to raise the patient above the surface of the bed. The patient should be elevated just high enough to clear the bed with their weight fully supported by the lift.
2. Press the down arrow button and lower the patient onto the bed.



**WARNING!**

– Invacare recommends locking the rear swivel casters ONLY when positioning or removing the sling from around the patient.

3. Lock the rear swivel casters.
4. Unhook the stand assist or transfer stand assist sling from all attachment points on the stand assist lift.
5. Instruct the patient to lift their feet off of the foot plate.
  -  Assist the patient if necessary.
6. Remove the stand assist or transfer stand assist from around the patient.
7. Unlock the rear casters and pull the stand assist lift away from the bed.



## 7 Troubleshooting

### 7.1 Troubleshooting Table

SYMPTOMS	FAULTS	SOLUTION
Noisy or dry sound from pivots.	Needs lubrication.	Refer to <i>Lubricating the Lift</i> .
Electric actuator fails to lift when button is pressed.	Hand-control or actuator connector loose.	Connect hand control or actuator connector. Ensure connectors are seated properly and fully connected.
	Battery low.	Charge batteries. Refer to 4.7 <i>Charging the Battery, page 10.</i>
	RED emergency stop button pressed IN.	Rotate RED emergency stop button CLOCKWISE until it pops out.
	Battery not connected properly to control box.	Reconnect the battery to the control box. Refer to 4.7 <i>Charging the Battery, page 10.</i>
	The connecting terminals are damaged.	Replace the battery pack. Refer to 4.7 <i>Charging the Battery, page 10.</i>
	Electric actuator in need of service or load is too high.	Refer to 8.7 <i>Replacing the Electric Actuator, page 19.</i> Contact your Dealer or Invacare representative.
Unusual noise from lift arm actuator.	Actuator is worn or damaged or spindle is bent.	Refer to 8.7 <i>Replacing the Electric Actuator, page 19.</i> Contact your Dealer or Invacare representative.
Lift arms will not lower in uppermost position.	Lift arms require a minimum weight load to lower from the uppermost position.	Pull down slightly on the lift arms.
Legs do not open and close properly.	Base may require adjustment.	Refer to 8.6 <i>Adjusting the Base, page 19.</i>

 If problems are not remedied by the suggested means, please contact your dealer or Invacare.

## 8 Maintenance

### 8.1 Maintenance Safety Inspection Checklist



**WARNING!**

- Maintenance **MUST** be performed **ONLY** by qualified personnel.
- A competent person must ensure that the strength and stability of the product remains adequate for all tasks if parts are replaced.
- **DO NOT** overtighten the mounting hardware, this will damage the mounting brackets.



Follow the maintenance procedures described in this manual to keep your patient lift in continuous service.

The Invacare Patient Lift is designed to provide a maximum of safe, efficient and satisfactory service with minimum care and maintenance.

All parts of the Invacare Lift are made of the best grades of steel, but metal to metal contact will wear after considerable use.

There is no adjustment or maintenance of the casters, other than cleaning, lubrication and checking axle and swivel bolts for tightness. Remove all debris, etc. from the wheel and swivel bearings. If any parts are worn, replace these parts IMMEDIATELY.

If you question the safety of any part of the lift, contact your Dealer IMMEDIATELY.

The UK Health and Safety Executive’s Lifting Operations and Lifting Equipment Regulations 1998 require any equipment that is used in the workplace to lift a load be subject to safety inspection on a six monthly basis. This is to be carried out by a suitably trained individual. Please refer to the HSE website for guidance ([www.hse.gov.uk](http://www.hse.gov.uk)).

Regular maintenance of patients lifts and accessories is necessary to assure proper operation. It is the responsibility of the person responsible for the patient lift to ensure that this maintenance is carried out.

After the first 12 months of operation, inspect all pivot points and fasteners for wear. If the metal is worn, the parts **MUST** be replaced. Perform this inspection every six months thereafter.

Date of Inspection:	Initials:
<b>THE CASTER BASE</b>	
<input type="checkbox"/> Inspect for missing hardware. <input type="checkbox"/> Base opens/closes with ease. <input type="checkbox"/> Inspect casters and axle bolts for tightness. <input type="checkbox"/> Inspect casters for smooth swivel and roll. <input type="checkbox"/> Inspect and clear wheels of debris. <input type="checkbox"/> Inspect pivot joints for wear.	
<b>SLINGS AND HARDWARE</b>	
<input type="checkbox"/> Check all sling attachments each time it is used to ensure proper connection and patient safety. <input type="checkbox"/> Inspect sling material for wear. <input type="checkbox"/> Inspect straps for wear. <input type="checkbox"/> Inspect stitching.	

<b>THE ELECTRIC ACTUATOR ASSEMBLY</b>
<input type="checkbox"/> Check for leakage. <input type="checkbox"/> Inspect hardware on mast, boom and base. <input type="checkbox"/> Check for wear or deterioration. If damaged, return to factory. <input type="checkbox"/> Cycle to ensure smooth quiet operation of the electric actuator.
<b>THE LIFT ARMS AND LINKAGE</b>
<input type="checkbox"/> Check all hardware and attachment points. <input type="checkbox"/> Inspect for bends or deflections. <input type="checkbox"/> Inspect bolted joints of the lift arms for wear. <input type="checkbox"/> Inspect to ensure that the lift arms are centered between the base legs. <input type="checkbox"/> Inspect pivot joints for wear. <input type="checkbox"/> Check sling hooks for wear or deflection.
<b>THE MAST</b>
<input type="checkbox"/> Mast must be securely assembled to lift arms. <input type="checkbox"/> Inspect for bends or deflections. <input type="checkbox"/> Inspect pivot joints for wear.
<b>CLEANING</b>
<input type="checkbox"/> Whenever necessary.

### 8.2 Cleaning the Sling and the Lift



**WARNING!**

- After EACH laundering (in accordance with laundering instructions on the sling), inspect the sling for wear, tears and loose stitching. Discard any patient sling that meets these criteria IMMEDIATELY.

#### Cleaning the Sling

The sling should be washed regularly in water temperature not exceeding 203°F (95°C) and a biological solution. Refer to the washing instructions in the sling user manual.

#### Cleaning and Disinfecting the Lift

To prevent cross-infection, the hoist must be cleaned and disinfected after each use.

A soft cloth, dampened with water and a small amount of mild detergent, is all that is needed to clean the patient lift. The lift can be cleaned with non-abrasive cleaners.

Never use acids, alkaline or solvents for cleaning the lift. Dry the lift carefully after cleaning.

Motors, control unit and mounting parts can be damaged if the lift is cleaned any other way than stated above.

The lift must be wiped with a moistened, firmly wrung cloth with ordinary household disinfectants. Only use disinfection detergents approved by the facility.

### 8.3 Reuse

This product is suitable for reuse. The maximum number of times it can be reused is dependent upon product condition.

To prevent the transmission of infection, the patient lift and slings must be cleaned after each use. Before reuse, refer to *Cleaning the Sling and the Lift*.

## 8.4 Detecting Wear and Damage

It is important to inspect all stressed parts, such as slings, lifting arm and any pivot for slings for signs of cracking, fraying, deformation or deterioration. Replace any defective parts IMMEDIATELY and ensure that the lift is not used until repairs are made.

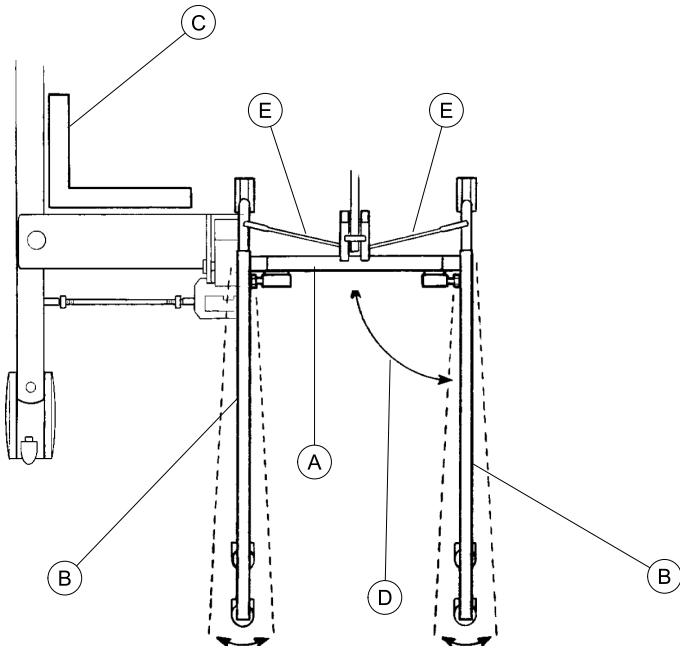
## 8.5 Lubricating the Lift

The Invacare lift is designed for minimum maintenance. However, a six month check and lubrication should ensure continued safety and reliability.

Keep lift and slings clean and in good working order. Any defect should be noted and reported to your dealer as soon as possible.

The casters MUST swivel and roll smoothly. A light grease (waterproof auto lubricant) may be applied to the ball bearing swivel of the casters once a year. Apply more frequently if the casters are exposed to extreme moist conditions.

## 8.6 Adjusting the Base



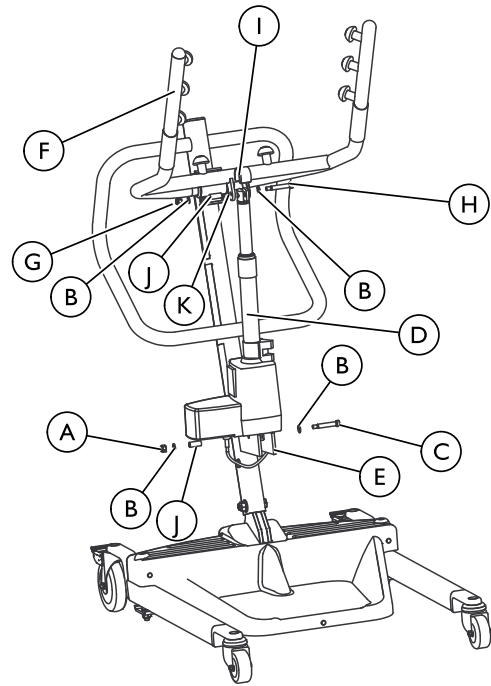
The base (A) adjustment should not require any attention other than adjusting the linkage rods.

**!** Damage to the lift may occur.  
– The legs must be in the fully closed position before adjusting the linkage rods.

1. Close the legs all the way. Refer to 4.2.1 *Closing/Opening Manual Legs*, page 9.
2. Check the squareness of the legs (B) when in the closed position.
3. Place a square (C) on the inside of the legs and base to determine the 90° alignment (D).
4. Adjust the linkage rods (E) until 90° alignment is achieved.

**!** Damage to the lift may occur.  
– DO NOT adjust the linkage rods so the legs are at less than 90° alignment.

## 8.7 Replacing the Electric Actuator



(A) Bottom nut	(G) Top nut
(B) Washer	(H) Bolt
(C) Shoulder bolt	(I) Bracket
(D) Electric actuator	(J) Bushing
(E) Mast mounting bracket	(K) Lift arm mounting bracket
(F) Lift arm	

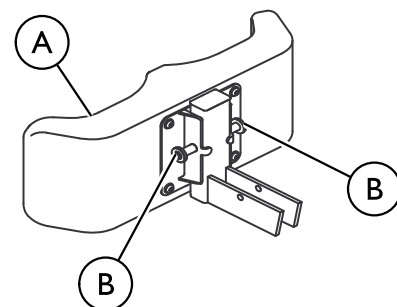


### WARNING!

– DO NOT overtighten the mounting hardware. This will damage mounting brackets.

1. Remove the bottom nut, washers, shoulder bolt and bushing that secure the electric actuator to the mast mounting bracket.
2. Rest the lift arm on your shoulder and remove the top nut, bolt, bracket, bushing (if applicable) and washers from the lift arm mounting bracket.
3. Remove the electric actuator.
4. Reverse STEPS 1–3 to install the new electric actuator.

## 8.8 Adjusting the Knee Pad Height




(A) Knee pad	(B) Adjustment pins
--------------	---------------------



**WARNING!**

- NEVER adjust the knee pad while patient is in the standing position.
- NEVER try to adjust the knee pad while the lift is moving.
- ALWAYS make sure that the adjustment pins are engaged in corresponding height adjustment holes before use.


1. Pick a height setting that will be comfortable to the patient and provide the necessary support.
  -  The knee pad should be positioned so that the knee portion of the leg is in contact with the pad.
2. Using both hands, pull both adjustment pins outward at the same time.
3. Position the knee pad to the desired height and release adjustment pins into the corresponding alignment holes.
4. Check to make sure that both pins are engaged.

## 9 Technical Data

### 9.1 RPS3501E and RPS3501FR Stand Assist Patient Lift

Height at Sling Hook-up — MAX	168 cm
Height at Sling Hook-up — MIN	102 cm
Base Width (open)	94 cm
Base Width (closed)	66 cm
Base height (clearance)	11,5 cm
Base length	90 cm
Overall height	125 cm
Overall length	99 cm
Overall width	65,5 cm
Castor size (FRONT/REAR)	8 cm / 13 cm
Sling Options	Stand Assist or Transfer Stand Assist
Sling Material	Polyester
Maximum weight limitation (SWL) (patient + sling)	159 kg (25 stone)
Total weight (weight out of carton)	49 kg (8 stone)
Battery (voltage output)	24V DC mb max. 240VA (RCHBL)
Charger Input (voltage supply)	100-240V AC ~ 50/60 Hz
Charger Output/Charging Time	29.5V DC 2.9 Ah Max 6 hours
Audio/Visual Low Battery Alarm	Yes
Motor Safety Devices	Anti-Entrapment

*Approx. Lifts per Charge (working ability)	*100-200 Cycles per charge
Max. current input	Max. 400 mA
Operating temperature	5° to 40° C
Air humidity	20% to 90% at 30 not condensing
Sound pressure	< 50 dB
Atmospheric pressure	700 to 1060 hPa
Storage temperature	above 0° C
Storage air humidity	less than 60%
Storage atmospheric pressure	700 hPa to 1060 hPa
Degree of protection, control unit	IPX4
Degree of protection, hand control	IPX4
Degree of protection, motor	IPX4
Insulation class	Class II equipment, Type B applied part
Intermittens	10%, max, 2 minutes/18 minutes
Battery capacity	2,9 Ah
Manual emergency lowering	Yes
Electric emergency lowering/lifting	Yes/Yes
Expected lifetime	8 years
Lifting Speed	The lift passes the “velocity of lifting and lowering” in the ENISO10535 (<0.15 m/s under maximum load and <0.25 m/s unloaded)

 \* Varies depending on load and stroke.



# Inhaltsverzeichnis

Diese Gebrauchsanweisung muss dem Benutzer des Produkts ausgehändigt werden. Lesen Sie diese Gebrauchsanweisung vor Verwendung des Produktes und bewahren Sie sie für den weiteren Gebrauch auf.

<b>1 Allgemein</b>	<b>24</b>
1.1 Einleitung	24
1.2 Symbole	24
1.3 Anwendungszweck	24
1.3.1 Gegenindikationen	25
1.4 Lieferumfang	25
1.5 Nutzungsdauer	25
1.5.1 Zusatzinformation	25
1.6 Garantieinformationen	25
1.7 Konformität	25
1.7.1 Produktspezifische Normen	25
<b>2 Sicherheit</b>	<b>26</b>
2.1 Allgemeine Hinweise	26
2.2 Bedienungsinformationen	26
2.2.1 Allgemeines	26
2.2.2 Positionierung	27
2.2.3 Entsorgung	27
2.3 Hochfrequenzstörungen	27
2.4 Produktkennzeichnung	28
<b>3 Inbetriebnahme</b>	<b>29</b>
3.1 Sichere Montage	29
3.2 Montage der Masteinheit auf der Basis	29
3.3 Vor der Inbetriebnahme des Patientenlifters	29
3.4 Montage des Schalthebels	29
3.5 Montage der Halterung für das Batterieladegerät an der Wand	29
<b>4 Verwenden</b>	<b>31</b>
4.1 Einführung	31
4.2 Schließen und Öffnen der Fußschienen	31
4.2.1 Zusammenklappen und Öffnen der Fußschienen	31
4.3 Verriegeln und Entriegeln der hinteren Rollen	31
4.4 Heben/Senken der Hubvorrichtung	31
4.4.1 Heben/Senken einer elektrischen Hubvorrichtung	31
4.5 Auslösen einer mechanischen Notfallentriegelung	32
4.5.1 Primäre Notfallentriegelung	32
4.5.2 Sekundäre Notfallentriegelung	32
4.6 Not-Aus-Verfahren	32
4.7 Laden der Batterie	32
4.7.1 Batterieleuchte	32
4.7.2 Laden der Batterie mit dem Netzkabel	33
4.7.3 Laden der Batterie mit dem Batterieladegerät	33
<b>5 Patienten anheben und transferieren</b>	<b>35</b>
5.1 Sicheres Heben	35
5.2 Positionieren der Hubvorrichtung mit Stehhilfe	36
5.3 Anheben des Patienten	36
5.4 Umlagern des Patienten	37
<b>6 Umlagern des Patienten</b>	<b>39</b>
6.1 Sichere Umlagerung	39
6.2 Umlagerung auf einen Toilettensitz	39
6.3 Umlagerung in einen Rollstuhl	40
6.4 Umlagerung in ein Bett	40
<b>7 Problembehandlung</b>	<b>42</b>
7.1 Tabelle Fehlerbehebung	42
<b>8 Instandhaltung</b>	<b>43</b>
8.1 Prüfliste für Wartung und Überprüfung der Sicherheit	43
8.2 Reinigung von Hebetuch und Hubvorrichtung	43
8.3 Wiederverwendung	44
8.4 Suche nach Abnutzung und Schäden	44
8.5 Schmierer der Hubvorrichtung	44
8.6 Einstellen der Basis	44
8.7 Austausch des elektrischen Verstellmotors	45
8.8 Einstellen der Kniepolster-Höhe	45

<b>9 Technische Daten</b>	<b>46</b>
9.1 Aufstehlifter RSP350-1E und RPS350-1FR	46

# 1 Allgemein

## 1.1 Einleitung

Diese Gebrauchsanweisung enthält wichtige Informationen zur Handhabung des Produkts. Lesen Sie die Gebrauchsanweisung sorgfältig und befolgen Sie die Sicherheitsanweisungen, damit eine sichere Verwendung des Produkts gewährleistet ist.

Beachten Sie, dass diese Gebrauchsanweisung für Ihr Produkt möglicherweise irrelevante Abschnitte enthält, da sie sämtliche zum Zeitpunkt der Drucklegung verfügbaren Modelle abdeckt. Sofern nicht anders angegeben, bezieht sich jeder Abschnitt in dieser Gebrauchsanweisung auf alle Modelle des Produkts.

Die für Ihr Land erhältlichen Modelle und Ausstattungsvarianten sind über die länderspezifischen Preislisten einsehbar.

Invacare behält sich das Recht vor, Produktspezifikationen ohne vorherige Ankündigung abzuändern.

Vergewissern Sie sich vor dem Lesen dieser Gebrauchsanweisung, dass Sie die aktuelle Fassung haben. Die jeweils aktuelle Fassung können Sie als PDF-Datei von der Invacare Webseite herunterladen.

Wenn die gedruckte Fassung der Gebrauchsanweisung für Sie aufgrund der Schriftgröße schwer zu lesen ist, können Sie die entsprechende PDF-Version von der Invacare Website herunterladen. Sie können das PDF-Dokument dann auf dem Bildschirm so anzeigen, dass die Schriftgröße für Sie angenehmer ist.

Weitere Informationen zum Produkt, z. B. Informationen zu Produktsicherheitshinweisen oder zu einem Produktrückruf, erhalten Sie von Ihrem Invacare-Vertreter. Die entsprechenden Internetadressen finden Sie am Ende dieses Dokuments.

## 1.2 Symbole

In diesem Handbuch werden Signalwörter verwendet, um auf Gefahren oder unsichere Praktiken hinzuweisen, die zu Verletzungen oder Sachschäden führen können. Die Definitionen der verwendeten Signalwörter finden Sie in der nachfolgenden Tabelle.



### WARNUNG!

– Das Signalwort „Warnung“ weist auf eine potenziell gefährliche Situation hin, die bei Nichtbeachtung zum Tod oder zu schweren Verletzungen führen könnte.



### VORSICHT!

– Das Signalwort „Vorsicht“ weist auf eine potenziell gefährliche Situation hin, die bei Nichtbeachtung zu Sachschäden, leichten Verletzungen oder beidem führen könnte.



### WICHTIG

– Das Signalwort „Wichtig“ weist auf eine potenziell gefährliche Situation hin, die bei Nichtbeachtung zu Sachschäden führen könnte.



Nützliche Tipps, Empfehlungen und Informationen für eine effiziente und problemlose Verwendung.



Herstellungsdatum



Dieses Produkt entspricht der Richtlinie 93/42/EEC für medizinische Geräte.

Das Markteinführungsdatum dieses Produkts kann der CE-Konformitätserklärung entnommen werden.



Bedienungsanleitung lesen



Warnen bei niedrigem Batteriestand. Lesen Sie hierzu auch *4.7 Laden der Batterie, Seite 32*.



Rollensperre



Schließen/Öffnen der Fußstreben



Anheben/Absenken des Arms



Not-Aus



Sichere Arbeitslast



Doppelt isoliert, Gerät der Klasse II



Anwendungsteil Typ B



Entsorgen Sie dieses Produkt fachgerecht. Lesen Sie hierzu auch *2.2.3 Entsorgung, Seite 27*.

## 1.3 Anwendungszweck



### WARNUNG!

#### Sturzgefahr

Die Invacare Patientenhubvorrichtung mit Stehhilfe ist KEIN Transportgerät. Der Anwendungszweck der Vorrichtung besteht darin, eine Person von einer Sitzfläche auf eine andere Sitzfläche ( z. B. von einem Bett in einen Rollstuhl) umzusetzen. Hebetücher und Zubehör der Invacare-Patientenhubvorrichtung sind speziell auf die Anwendung mit Invacare-Patientenhubvorrichtungen ausgelegt. Zur Vermeidung von Verletzungen und Stürzen:

- Patienten, die mit der Hubvorrichtung mit Stehhilfe umgelagert und positioniert werden, MÜSSEN kooperativ und bei Bewusstsein sein und Kontrolle über Kopf und Nacken haben. Andernfalls besteht Verletzungsgefahr.
- Patienten, die mit dem Hebetuch mit Stehhilfe umgelagert und positioniert werden, MÜSSEN in der Lage sein, einen Großteil ihres eigenen Gewichts zu tragen. Andernfalls besteht Gefahr von Verletzungen oder Sachschäden. Weitere Informationen finden Sie in der Bedienungsanleitung des Patientenhebetuchs.



Patientenhubvorrichtungen sind batteriebetriebene Umlagerungsgeräte für viele alltägliche Hebesituationen, wie z. B.:

- Umlagerung von Patienten zwischen Bett und Rollstuhl
- Von und zur Toilette

Die Patientenhubvorrichtung mit Stehhilfe ist nur für das Anheben von Patienten bis zum zulässigen Maximalgewicht geeignet (siehe technische Daten).

Das Produkt ist nur für die Verwendung in Innenräumen bestimmt.

Die Auswahl der richtigen Hebetücher und Zubehörteile für jeden Patienten ist entscheidend für die Sicherheit der Hubvorrichtung. In den Bedienungsanleitungen für Hebetücher und Zubehörteile von Invacare finden Sie weitere Informationen dazu.

Invacare empfiehlt, den Patienten zum Baden auf einen Badestuhl oder eine andere Vorrichtung umzulagern.

Die Patientenhubvorrichtung mit Stehhilfe kann auf der Stelle gedreht werden für Umlagerungen auf engem Raum.

### 1.3.1 Gegenindikationen

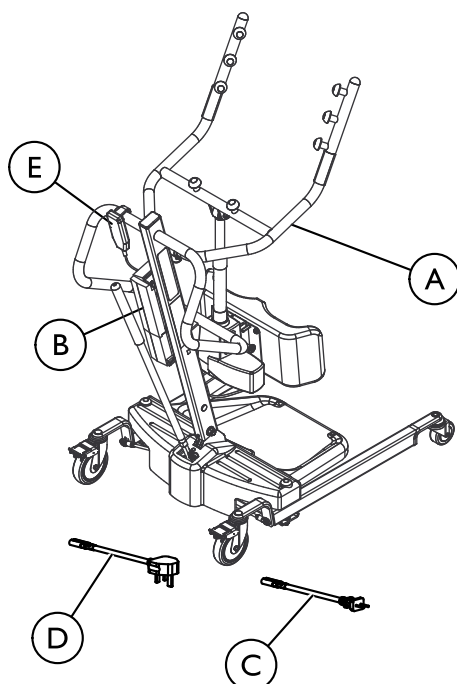
Die Hubvorrichtung mit Stehhilfe ist nicht geeignet für Patienten, die:

- nicht kooperieren
- nicht bei Bewusstsein sind
- keine Kontrolle über Kopf und Nacken haben

Manche Hebetücher für die Hubvorrichtung mit Stehhilfe sind nicht geeignet für Patienten, die nicht einen Großteil ihres Gewichts stützen können. Weitere Informationen finden Sie in der Bedienungsanleitung des Patientenhebetuchs.

## 1.4 Lieferumfang

Die folgenden Teile sind im Lieferumfang enthalten. Hebetücher sind separat erhältlich. Das Batterieladegerät ist separat erhältlich.



Bestandteil	Beschreibung	Anzahl
A	Hubvorrichtung	1
B	Batterie	1
C	Netzkabel, EU	1
D	Netzkabel, GB (nur RPS350-1E)	1
E	Bedienelement	1
F	Bedienungsanleitung für Hubvorrichtung (nicht abgebildet)	1

## 1.5 Nutzungsdauer

Die Nutzungsdauer dieses Produkts beträgt acht Jahre, vorausgesetzt, es wird täglich und in Übereinstimmung mit den in dieser Gebrauchsanweisung aufgeführten Sicherheitshinweisen, Wartungsintervallen und korrekten Verfahrensweisen verwendet. Die tatsächliche Nutzungsdauer kann abhängig von Häufigkeit und Intensität der Verwendung variieren.

### 1.5.1 Zusatzinformation

Die erwartete Nutzungsdauer basiert auf einem durchschnittlicher Schätzwert von vier Hebezyklen pro Tag.

## 1.6 Garantieinformationen

Wir gewähren für das Produkt eine Herstellergarantie gemäß unseren Allgemeinen Geschäftsbedingungen für das entsprechende Land.

Garantieansprüche können nur über den Händler geltend gemacht werden, von dem das Produkt bezogen wurde.

## 1.7 Konformität

Qualität ist für das Unternehmen entscheidend. Alle Abläufe sind nach den Anforderungen von ISO 13485 ausgerichtet.

Dieses Produkt trägt die CE-Kennzeichnung in Übereinstimmung mit der Richtlinie 93/42/EWG über Medizinprodukte, Klasse I.

Wir setzen uns kontinuierlich dafür ein, die Umwelt durch unsere Unternehmenstätigkeit sowohl direkt vor Ort als auch weltweit möglichst wenig zu beeinträchtigen.

Wir verwenden ausschließlich REACH-konforme Materialien und Bauteile.

Wir beachten die aktuellen Umweltschutzbestimmungen WEEE (Richtlinie über Elektro- und Elektronik-Altgeräte) und RoHS (Richtlinie zur Beschränkung der Verwendung bestimmter gefährlicher Stoffe in Elektro- und Elektronikgeräten).

### 1.7.1 Produktspezifische Normen

Dieses Produkt wurde getestet und entspricht der Norm ISO 10535 (Lifter zum Transport von behinderten Menschen) und allen einschlägigen Normen.

Weitere Informationen zu lokalen Normen und Vorschriften erhalten Sie bei Ihrem Invacare-Vertreter vor Ort. Die entsprechenden Internetadressen finden Sie am Ende dieses Dokuments.

## 2 Sicherheit

### 2.1 Allgemeine Hinweise



#### WARNUNG!

– Verwenden Sie dieses Produkt und eventuell vorhandenes Zubehör erst, nachdem Sie diese Anweisungen und eventuell zusätzliche Anweisungen, wie zum Produkt oder eventuellem Zubehör gehörende Bedienungsanleitungen, Servicehandbücher oder Merkblätter, vollständig gelesen und verstanden haben. Falls die Warnungen, Sicherheitshinweise und Anweisungen unverständlich sind, wenden Sie sich bitte an den zuständigen Händler oder direkt an den technischen Kundendienst von Invacare, bevor Sie die Ausrüstung verwenden. Andernfalls kann es zu Personen- und Sachschäden kommen.

#### WARNUNG ZUM ZUBEHÖR

Die Konstruktion und die Herstellung der Invacare-Produkte sind so speziell, dass ausschließlich Invacare-Zubehör verwendet werden darf.

Zubehörteile von anderen Herstellern sind nicht von Invacare getestet worden und werden für Invacare-Produkte nicht empfohlen. Unter bestimmten Umständen können Hebetücher anderer Hersteller verwendet werden.

– Weitere Informationen zu Zubehörteilen erhalten Sie von Ihrer lokalen Invacare-Niederlassung.



#### HINWEIS

– Die in diesem Dokument enthaltenen Informationen können jederzeit geändert werden.

Überprüfen Sie vor Verwendung alle Teile auf Transportschäden. Verwenden Sie keine beschädigten Vorrichtungen. Setzen Sie sich mit Ihrem Händler oder Invacare-Vertreter in Verbindung.

### 2.2 Bedienungsinformationen

Dieser Abschnitt der Bedienungsanleitung enthält allgemeine Sicherheitsinformationen über Ihr Produkt. Spezifische Sicherheitsinformationen finden Sie in dem entsprechenden Abschnitt der Bedienungsanleitung in den darin beschriebenen Verfahren. Sicherheitsinformationen zur Montage des Lifters finden Sie im Abschnitt 3 *Inbetriebnahme*, Seite 29.

#### 2.2.1 Allgemeines



#### WARNUNG!

##### Sturzgefahr

Führen Sie KEINE Hubvorgänge ohne die Zustimmung des Arztes oder Pflegepersonals des jeweiligen Patienten durch. Lesen Sie die Anweisungen in dieser Bedienungsanleitung gründlich, lassen Sie sich die Hubverfahren von einem geschulten Expertenteam zeigen und führen Sie anschließend das gesamte Hubverfahren unter ordnungsgemäßer Anleitung an einer geeigneten Person durch, die sich als Patient zur Verfügung stellt.

- Denken Sie bei allen Hubvorgängen mit Menschen mit Bewegungseinschränkungen, die während des Hubvorgangs nicht kooperieren können, bedürfen Ihrer besonderen Umsicht.
- Verwenden Sie zum Schieben oder Ziehen der Hubvorrichtung immer den Steuerhebel am Mast der Vorrichtung.
- Prüfen Sie die Hebetuchbefestigungen bei jedem Entfernen und Anbringen des Hebetuchs, um sicherzustellen, dass es ordnungsgemäß angebracht ist, bevor der Patient angehoben wird (sei es vom Bett, Stuhl oder Toilettensitz).



#### WARNUNG!

##### Gefahr von Verletzungen oder Sachschäden

Manche Oberflächen können die Stabilität der Hubvorrichtung gefährden und zu Verletzungen oder Sachschäden führen.

Die Hubvorrichtung kann im Dusch- oder Badebereich eingesetzt werden. Übermäßige Feuchtigkeit kann die Hubvorrichtung jedoch beschädigen und zu Verletzungen führen.

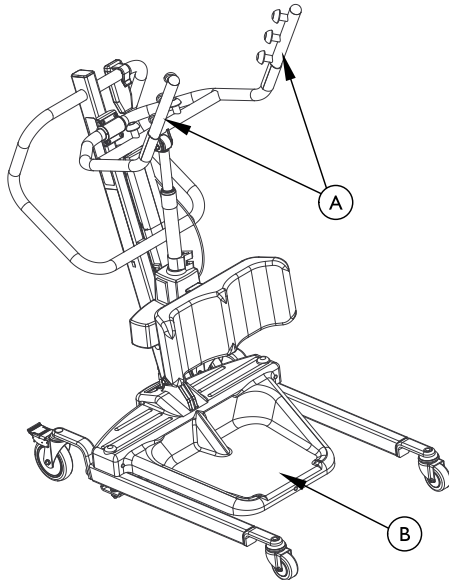
- Verwenden Sie die Hubvorrichtung nicht auf abschüssigen Oberflächen. Invacare empfiehlt, die Hubvorrichtung nur auf ebenen Oberflächen zu verwenden.
- Rollen Sie die Standeinheit NIEMALS über unebene Oberflächen, da die Hubvorrichtung ansonsten umkippen kann.
- Verwenden Sie die Hubvorrichtung NICHT in Dusche oder Bad und setzen Sie diese keiner übermäßigen Feuchtigkeit aus.
- Wischen Sie verbleibende Feuchtigkeit nach jedem Einsatz von der Hubvorrichtung ab.
- Die Hubvorrichtung darf NICHT in einer feuchten Umgebung aufbewahrt werden. Informationen zu Lagertemperatur, Feuchtigkeit und Druck finden Sie in 7.1 *Tabelle Fehlerbehebung*, Seite 42.
- Prüfen Sie regelmäßig alle Komponenten der Hubvorrichtung auf Anzeichen von Korrosion. Tauschen Sie alle korrodierten oder beschädigten Teile aus.


## 2.2.2 Positionierung



### WARNUNG! Verletzungsrisiko

- Achten Sie **IMMER** auf die Hubarme. Es besteht die Gefahr von Sach- und Personenschäden.
- Achten Sie **IMMER** auf die Fußstütze, insbesondere auf die Position des Patienten auf der Fußstütze. Es besteht die Gefahr von Sach- und Personenschäden.



-  (A) = Hubarme  
(B) = Fußstütze

## 2.2.3 Entsorgung



### WARNUNG! Umweltgefährdung

Dieses Produkt stammt von einem umweltbewussten Hersteller, der die Kriterien der

Richtlinie über Elektro- und Elektronik-Altgeräte (WEEE) 2012/19/EU erfüllt.

In dem Gerät werden Bleibatterien verwendet. Das Produkt enthält Substanzen, die die Umwelt schädigen können, wenn sie nicht in Übereinstimmung mit der nationalen Gesetzgebung entsorgt werden.

- Entsorgen Sie die Batterien **NICHT** über den normalen Haushaltsmüll. Batterien müssen zu einer entsprechenden Entsorgungsstelle gebracht werden. Wenden Sie sich an Ihr Abfallentsorgungsunternehmen, wenn Sie weitere Informationen wünschen.
- Wir bitten Sie, umweltverträglich zu handeln und dieses Produkt nach Ende seiner Lebensdauer über eine lokale Müllverwertungsanlage recyceln zu lassen.

## 2.3 Hochfrequenzstörungen


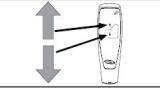
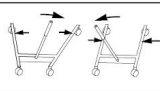
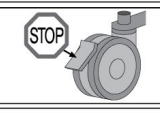
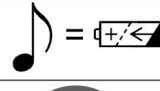



### WARNUNG!

- Die meisten elektronischen Geräte werden durch Hochfrequenzstörungen (HF-Störung) beeinträchtigt. Gehen Sie daher bei der Verwendung von tragbaren Kommunikationsgeräten im Bereich von solchen Geräten **MIT UMSICHT** vor. Wenn das Gerät aufgrund von Hochfrequenzstörungen ein unregelmäßiges Verhalten aufweist, **SCHALTEN SIE SOFORT** den **ROTEN** Netzschalter in die Position **AUS**. **SCHALTEN** Sie den Netzschalter **NICHT EIN**, solange eine Übertragung stattfindet.

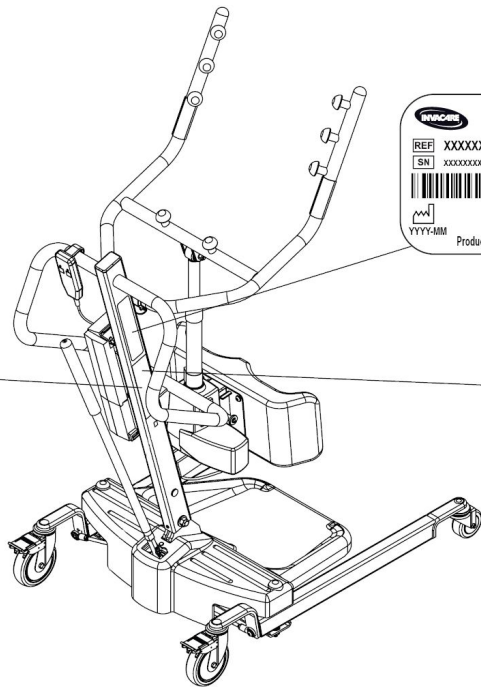
## 2.4 Produktkennzeichnung

**SWL**  
**159kg**

1171742 Rev B

**RPS350-IFR**



Invacare Portugal, Lda  
Rua Estrada Velha 849  
4455-784 Leja do Balio, Portugal

ISO 10535 **CE**


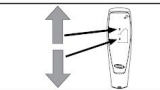
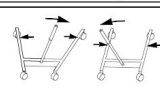
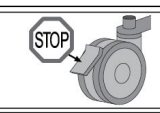
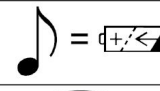

REF	XXXXXXXX XXXX_XX	XXXXXXXX XXXX	XXXXXXXX XXXX
SN	XXXXXXXXXXXXXXXX	XXXXXXXX XXXX	XXXXXXXX XXXX

XXXXXXXX XXXX  
XXXXXXXX XXXX  
XXXXXXXX XXXX

YYYYMM Product name

= xxx kg

**SWL**  
**159kg**

1167425 Rev B

**RPS350-IE**

### 3 Inbetriebnahme

#### 3.1 Sichere Montage



**WARNUNG!**  
**Verletzungsrisiko**

Unsachgemäße Montage kann zu Personen- und Sachschäden führen.

- Die Montage darf AUSSCHLIESSLICH von qualifiziertem Personal vorgenommen werden.
- Verwenden Sie zur Montage der Hubvorrichtung nur Teile von Invacare. Die Komponenten der Hubvorrichtung entsprechen Spezifikationen, die eine korrekte Ausrichtung aller Teile für eine sichere und korrekte Funktionsweise gewährleisten.
- Ziehen Sie die Befestigungsteile nicht zu fest an. Dadurch wird die Halterung beschädigt.



Für die Montage der Hubvorrichtung sind keine Werkzeuge erforderlich.

Kontaktieren Sie einen lokalen Invacare-Vertreter, falls Sie Fragen oder Probleme bei der Montage haben. Lesen Sie dazu die Kontaktinformationen am Ende dieses Handbuchs.

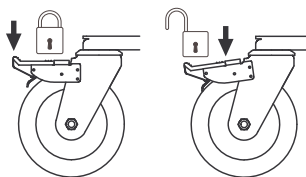
#### 3.2 Montage der Masteinheit auf der Basis



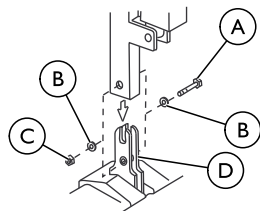
**WARNUNG!**

– Für die Montage dieses Patientenlifters dürfen Sie nur Originalteile von Invacare verwenden. Die Fußschiene der Basis, der Mast, der Ausleger, die Pumpeneinheit und die Schwenkstange werden genau nach den technischen Vorgaben gefertigt, damit alle Teile korrekt ineinander passen und ein sicherer Betrieb gewährleistet ist.

Detailzeichnung A



Detailzeichnung B



Ⓐ Sechskantschraube	Ⓒ Mutter
Ⓑ Unterlegscheibe	Ⓓ Montagehalterung



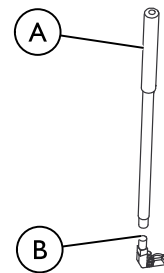
Die Masteinheit kann von der Basis abmontiert werden, wenn der Patientenlift gelagert oder transportiert werden soll. Vor der Verwendung des Patientenlifts MUSS die Masteinheit ordnungsgemäß auf der Basis befestigt werden.

1. Stellen Sie die Basis auf den Fußboden.
  - Dabei müssen alle vier Schwenkrollen den Fußboden berühren.
2. Verriegeln Sie die beiden hinteren Rollen. Siehe Detailzeichnung „A“.
3. Entfernen Sie die Sechskantschraube mitsamt Unterlegscheiben und Mutter aus der U-förmigen Öffnung an der Basis.
4. Bringen Sie den Masten in die senkrechte Position.
5. Senken Sie nun den Masten auf die Montagehalterung ab.
6. Befestigen Sie den Masten an der Basis mit der Sechskantschraube, den Unterlegscheiben und der Mutter. Ziehen Sie die Schrauben fest.

#### 3.3 Vor der Inbetriebnahme des Patientenlifters

VOR der Verwendung sind alle Komponenten zu überprüfen und festzuziehen.

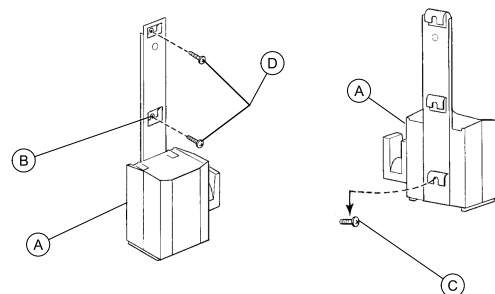
#### 3.4 Montage des Schalthebels



Ⓐ Schalthebel	Ⓑ Passtück mit Außengewinde
---------------	-----------------------------

1. Nehmen Sie den Schalthebel aus dem Verpackungskarton heraus.
2. Schrauben Sie den Schalthebel auf das Passtück mit Außengewinde. Das Passtück befindet sich auf der Basis.

#### 3.5 Montage der Halterung für das Batterieladegerät an der Wand.



Beachten Sie bei der Montage die örtlichen Vorgaben. Diese Vorgehensweise gilt nur für die Modelle vom Typ RPS350-1E.

1. Legen Sie das Batterieladegerät mit der Halterung **A** an der gewünschten Stelle an der Wand an.
2. Markieren Sie die Position mit einem Bleistift, indem Sie das mittlere Loch **B** markieren.
3. Messen Sie von der Bleistiftmarkierung 16,5 cm nach unten ab und bohren dort ein Loch.
4. Schrauben Sie die Befestigungsschraube **C** so weit ein, bis zwischen Schraubenkopf und Wand ein Abstand von etwa 3 mm besteht.
5. Stecken Sie das Batterieladegerät mit der Halterung auf die Befestigungsschraube.
6. Bohren Sie anschließend die anderen zwei vorgesehenen Montagelöcher.
7. Schrauben Sie die anderen beiden Befestigungsschrauben **D** durch die Halterung in die Wand ein. Ziehen Sie sie an.
8. Schließen Sie das Batterieladegerät an die Stromversorgung an.




Die Lampe am Gerät müsste leuchten.

## 4 Verwenden

### 4.1 Einführung

Die Bedienung der Hubvorrichtung ist einfach und sicher.

 Lesen Sie vor Verwendung der Hubvorrichtung die Sicherheitsanweisungen sowie weitere Hinweise in den folgenden Abschnitten:

- 2.2 *Bedienungsinformationen, Seite 26*
- 5.3 *Anheben des Patienten, Seite 36*

### 4.2 Schließen und Öffnen der Fußschienen




#### WARNUNG! Verletzungsrisiko

Der Lifter könnte kippen und den Patienten und die Helfer in Gefahr bringen.

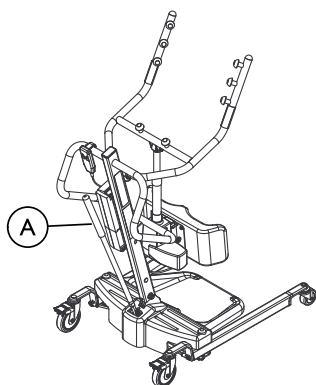
- Die Fußschienen des Patientenlifts MÜSSEN maximal geöffnet sein, damit optimale Stabilität und Sicherheit gewährleistet sind. Falls es erforderlich ist, die Schenkel zu schließen, um den Patientenlifter unter ein Bett zu schieben, lassen Sie die Fußschienen nur so lange geschlossen, bis Sie den Patientenlifter korrekt über dem Patienten positioniert und den Patienten vom Bett hochgehoben haben. Sobald die Fußschienen des Patientenlifters nicht mehr unter dem Bett sind, öffnen Sie die Fußschienen wieder maximal.

#### 4.2.1 Zusammenklappen und Öffnen der Fußschienen

Der Schalthebel dient zum Öffnen oder Schließen der Fußschienen an der Basis für Stabilität beim Anheben eines Patienten.

 Lesen Sie die Sicherheitshinweise in *4.2 Schließen und Öffnen der Fußschienen, Seite 31* bevor Sie diesen Vorgang ausführen.

Ⓐ = Schalthebel



1. Zusammenklappen der Fußschienen:  
Ziehen Sie den Schalthebel HERAUS, weg vom Patientenlifter und anschließend auf Ihre LINKE Seite, bis des Hebels in die Kerbe der Halterung EINRASTET.



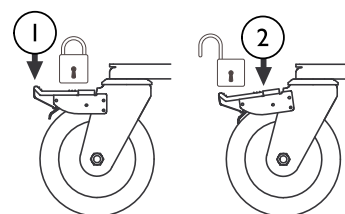
Die linke Seite befindet sich links von Ihnen, wenn Sie sich hinter den Patientenlifter mit Blickrichtung zu den vorderen Rollen stellen.

2. Öffnen des Fahrgestelles:  
Ziehen Sie den Schalthebel HERAUS, weg vom Patientenlifter und anschließend auf Ihre RECHTE Seite, bis der Hebel in die Kerbe der Halterung EINRASTET.



Die rechte Seite befindet sich rechts von Ihnen, wenn Sie sich hinter den Patientenlift mit Blickrichtung zu den vorderen Rollen stellen.

### 4.3 Verriegeln und Entriegeln der hinteren Rollen



1. Zum Verriegeln hier auf den Hebel treten.
2. Zum Entriegeln hier auf den Hebel treten.

### 4.4 Heben/Senken der Hubvorrichtung



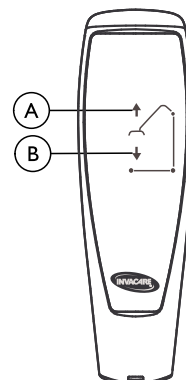
#### WARNUNG! Verletzungsrisiko

Die Hubvorrichtung kann kippen und den Patienten und das Pflegepersonal gefährden.  
– Invacare empfiehlt, die hinteren Rollen der Hubvorrichtung während der Hebevorgänge nicht zu blockieren, damit die Hubvorrichtung sich selbst stabilisiert, sobald der Patient vom Stuhl, Bett oder einer anderen Fläche angehoben wird.


#### 4.4.1 Heben/Senken einer elektrischen Hubvorrichtung



Lesen Sie die Sicherheitshinweise in *Anheben und Absenken des Patientenlifters* bevor Sie diesen Vorgang ausführen.



1. Heben: Drücken und halten Sie zum Anheben des Arms sowie des Patienten die AUFWÄRTS-Taste Ⓐ.
2. Senken: Drücken und halten Sie zum Absenken des Arms sowie des Patienten die ABWÄRTS-Taste Ⓑ.

 Lassen Sie die Taste los, um das Anheben/Absenken der Hubvorrichtung zu unterbrechen.

## 4.5 Auslösen einer mechanischen Notfallriegelung

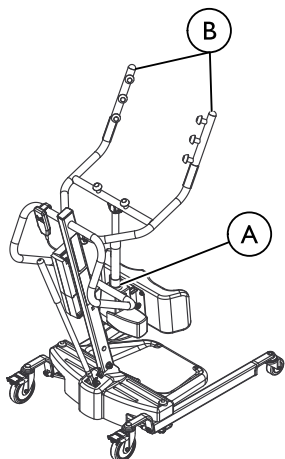
Es gibt zwei Arten der mechanischen Notfallriegelung — eine primäre und eine sekundäre.

### 4.5.1 Primäre Notfallriegelung




1. Stecken Sie einen Stift in das als Not-Aus-Aufwärts (A) oder Not-Aus-Abwärts (B) gekennzeichnete Loch an der Steuereinheit (C).

### 4.5.2 Sekundäre Notfallriegelung



(A) ROTER NOT-Griff

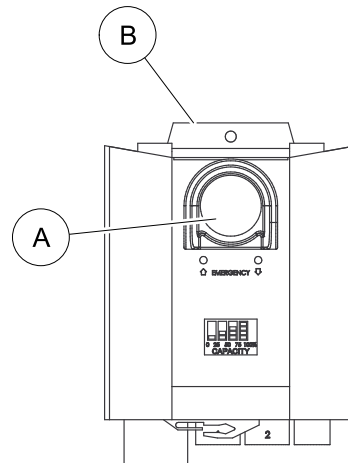
(B) Hubarme

 Die Verwendung der primären Notfallriegelung wird empfohlen. Die sekundäre Notfallriegelung dient lediglich zur Sicherung der primären Notfallriegelung.

Die sekundäre Notfallriegelung kann verwendet werden, wenn die primäre nicht funktioniert oder nicht erreichbar ist.


1. Ziehen Sie am NOT-Griff (A) nach oben und drücken gleichzeitig die Hubarme (B) nach unten.

## 4.6 Not-Aus-Verfahren




1. Drücken Sie zum Anhalten des Arms und Verhindern einer weiteren Anhebung oder Absenkung des Patienten die ROTE Taste (A) auf der Steuereinheit (B).
2. Drehen Sie zum Zurücksetzen den Not-Aus-Schalter im Uhrzeigersinn.

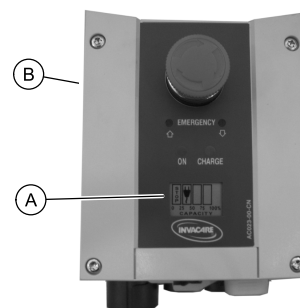
## 4.7 Laden der Batterie

 Für eine möglichst lange Lebensdauer der Batterie empfiehlt Invacare, die Batterie täglich aufzuladen.

Die Batterie kann auf zwei verschiedene Arten geladen werden. Entweder mit dem Netzkabel an der Steuereinheit, oder montiert auf dem Batterieladegerät. Befolgen Sie die entsprechenden Hinweise, um die Batterie Ihrer Hubvorrichtung aufzuladen.

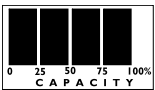
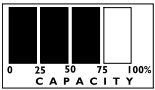
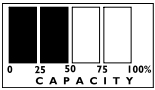
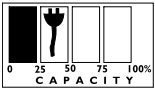
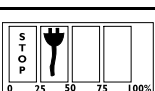
### 4.7.1 Batterieleuchte

 Diese Vorgehensweise gilt nur für die Modelle vom Typ RPS350-1FR.



Die Batterieleuchte (A) befindet sich an der Steuereinheit (B). Die LEDs zeigen den Batteriestatus an:



Batterieleuchte am Bedienelement <b>A</b>	Batterie-status	Beschreibung
	Voll geladen (100%)	Die Batterie ist OK und muss nicht aufgeladen werden (100%).
	Teilweise geladen (75%)	Die Batterie ist OK und muss nicht aufgeladen werden (75%).
	Teilweise geladen (50%)	Die Batterie muss aufgeladen werden (50%).
	Niedriger Ladestand (25%)	Die Batterie muss aufgeladen werden (25%). Die Hupe ertönt, wenn eine Taste gedrückt wird.
	Niedriger Ladestand (0%)	Die Batterie muss aufgeladen werden.  Manche Funktionen der Hebevorrichtung sind nicht mehr verfügbar. Es ist nur noch möglich, den Arm zu senken.  Bei schwacher Batterie ertönt ein Alarmton (ein Piepton). Wenn der Alarmton bei einem Hubvorgang erklingt, schließen Sie diesen Vorgang ab und laden Sie die Batterie anschließend.

**VORSICHT!**

– Damit ein Laden der Batterie ermöglicht wird, MUSS der Not-Aus-Schalter deaktiviert sein. Während des Ladevorgangs kann die Hubvorrichtung nicht verwendet werden. Verschieben Sie die Hubvorrichtung KEINESFALLS, solange das Netzkabel in der Steckdose steckt. Verwenden Sie die Hubvorrichtung KEINESFALLS, wenn das Batteriegehäuse beschädigt ist. Ersetzen Sie das beschädigte Batteriegehäuse vor einer erneuten Verwendung der Hubvorrichtung.

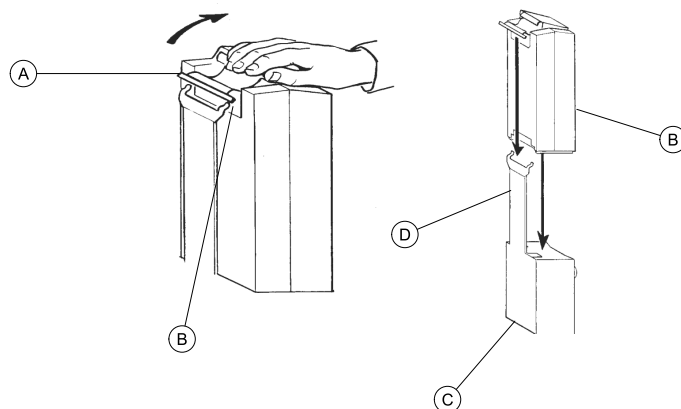
1. Schließen Sie das Netzkabel an die Steuereinheit an.
2. Schließen Sie das Netzkabel an die Stromversorgung an.



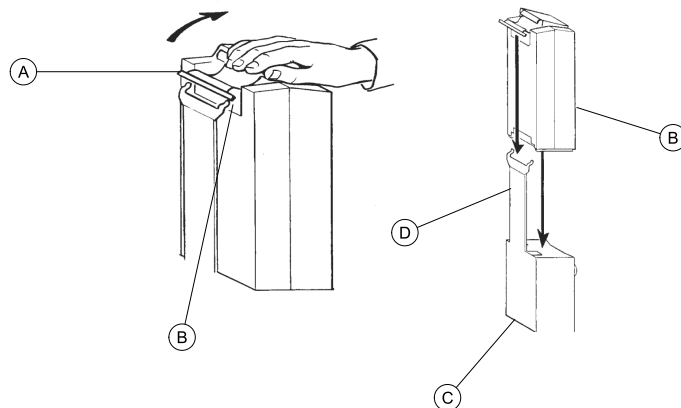
Nach etwa vier Stunden ist die Batterie vollständig aufgeladen. Der Ladevorgang muss in einem Raum mit ausreichender Luftzirkulation erfolgen.

3. Ziehen Sie das Netzkabel nach erfolgter Ladung der Batterie aus der Steckdose.

#### 4.7.3 Laden der Batterie mit dem Batterieladegerät



Diese Vorgehensweise gilt nur für die Modelle vom Typ RPS350-1E.



1. Klappen Sie den Griff **A** auf der Rückseite der Batterie **B** nach oben.
2. Heben Sie die Batterie hoch und aus der Steuereinheit **C** heraus.

#### 4.7.2 Laden der Batterie mit dem Netzkabel



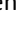

Diese Vorgehensweise gilt nur für die Modelle vom Typ RPS350-1FR.

**A** = Netzkabel hier anschließen.



**VORSICHT!**

Ein unsachgemäßes Einsetzen der Batterie kann zu Personen- und Sachschäden führen.  
 – Achten Sie darauf, dass Sie ein Klickgeräusch hören, wenn Sie die Batterie in das Ladegerät einlegen. Das Klicken weist darauf hin, dass die Batterie ordnungsgemäß eingelegt wurde.


3. Legen Sie die Batterie wie dargestellt in das Batterieladegerät  ein. Achten Sie auf das Klickgeräusch.
  -  Die Ladeanzeige beginnt dann zu leuchten. Nach erfolgter Ladung erlischt die Ladeanzeige wieder. Es dauert etwa vier Stunden, bis die Batterie vollständig geladen ist.
4. Klappen Sie den Griff auf der Rückseite der Batterie nach oben.

5. Heben Sie die Batterie hoch und aus dem Batterieladegerät heraus.



**VORSICHT!**

Ein unsachgemäßes Einsetzen der Batterie kann zu Personen- und Sachschäden führen.  
 – Achten Sie darauf, dass Sie ein Klickgeräusch hören, wenn Sie die Batterie in die Steuereinheit einlegen. Das Klicken weist darauf hin, dass die Batterie ordnungsgemäß eingelegt wurde.

6. Legen Sie die Batterie wie dargestellt wieder in die Steuereinheit ein. Achten Sie auf das Klickgeräusch.
  -  Die Batterie muss wie dargestellt in die Steuereinheit und das Batterieladegerät eingelegt sein.

## 5 Patienten anheben und transferieren

### 5.1 Sicheres Heben



#### WARNUNG!

- Überschreiten Sie NIEMALS das zulässige Maximalgewicht (SWL) von 159 kg für die Hubvorrichtung.
- Führen Sie KEINE Hubvorgänge ohne die Zustimmung medizinischen Fachpersonals durch.
- Um Verletzungen zu vermeiden, sollten Sie NIE in bewegliche Teile fassen.
- Während der Umlagerung, bei der sich Patient in dem Hebetuch befindet, darf die Standeinheit der Vorrichtung NIEMALS über unebene Oberflächen gerollt werden, da sie sonst instabil werden könnte.
- Verwenden Sie zum Schieben oder Ziehen der Hubvorrichtung mit Stehhilfe stets den Steuerhebel am Mast der Vorrichtung.



#### WARNUNG!

#### Betrieb der Hubvorrichtung und Anheben von Patienten

- Stellen Sie sicher, dass die mit der Hubvorrichtung mit Stehhilfe verwendete Ausrüstung (z. B. das Hebetuch) für die jeweilige Last ausgelegt ist. Stellen Sie sicher, dass die angehobene Person bei einer Fehlfunktion des Geräts keiner Gefahr ausgesetzt ist.
- Stellen Sie sicher, dass die Füße des Patienten nicht im Weg der Fußplatte sind, bevor Sie die Fußstreben der Hubvorrichtung mit Stehhilfe um den Patienten herum positionieren. Andernfalls besteht Verletzungsgefahr.
- Alle zugunsten von Komfort oder Sicherheit vorzunehmenden Einstellungen am Hebetuch müssen vor dem Anheben des Patienten erfolgen. Die Arme des Patienten sollten sich außerhalb der Gurte des Hebetuchs befinden.
- Heben Sie den Patienten leicht an und prüfen Sie den festen Sitz der Hebetuchbefestigungen, bevor Sie den Patienten von einer Auflage anheben (z. B. vom Bett, Stuhl oder Toilettensitz). Wenn die Befestigungen nicht richtig angebracht sind, senken Sie den Patienten ab, korrigieren Sie das Problem und heben Sie den Patienten erneut an, um den korrekten Sitz zu prüfen.



#### WARNUNG!

#### Betrieb der Hubvorrichtung und Anheben von Patienten

- Während der Umlagerung, bei der sich Patient in dem Hebetuch der Hubvorrichtung befindet, darf die Vorrichtung NICHT über unebene Oberflächen gerollt werden, da sie sonst aus dem Gleichgewicht geraten und kippen kann. Verwenden Sie zum Schieben oder Ziehen der Hubvorrichtung IMMER den Steuerhebel am Mast der Vorrichtung.
- Invacare empfiehlt, die hinteren Rollen der Hubvorrichtung AUSSCHLISSLICH für das Positionieren oder Abnehmen des Hebetuchs vom Patienten (Stehhilfe bzw. Umlagerungs-Stehhilfe) zu blockieren.
- Invacare empfiehlt, die hinteren Rollen der Hubvorrichtung für den Hebevorgang am Patienten NICHT zu blockieren. Ansonsten kann die Hubvorrichtung kippen und den Patienten und das Pflegepersonal gefährden. Invacare EMPFIEHLT, die hinteren Rollen der Hubvorrichtung während der Hebevorgänge nicht zu blockieren, damit die Hubvorrichtung sich selbst stabilisiert, sobald der Patient vom Stuhl, Bett oder einer anderen Fläche angehoben wird.



#### WARNUNG!

#### Verwenden des Hebetuchs

- Verwenden Sie für den Komfort und zur Sicherheit des zu hebenden Patienten Hebetücher, die vom medizinischen Fachpersonal empfohlen wurden.
- Personen, die das Hebetuch mit Stehhilfe verwenden, MÜSSEN in der Lage sein, einen Großteil ihres eigenen Gewichts zu tragen, ansonsten besteht Verletzungsgefahr.
- Ausgeblichene, eingeschnittene, eingerissene, ausgefrante oder zerrissene Hebetücher beeinträchtigen die Sicherheit und können zu Verletzungen führen. Hebetücher, die diese Beschreibung erfüllen, müssen SOFORT entsorgt werden.
- Nehmen Sie KEINERLEI Veränderungen an den Hebetüchern vor.
- Prüfen Sie die Hebetuchbefestigungen bei jedem Entfernen und Anbringen des Hebetuchs, um sicherzustellen, dass es ordnungsgemäß angebracht ist, bevor der Patient angehoben wird (sei es vom Bett, Stuhl oder Toilettensitz).
- Wenn sich der Patient im Rollstuhl befindet, aktivieren Sie zuerst die Bremse des Rollstuhls, damit dieser nicht vor- oder zurückrollen kann.
- Stellen Sie sicher, dass die angehobene Person keiner Gefahr ausgesetzt ist, und dass diese ohne Verletzungen wieder befreit werden kann.

**WARNUNG!****Hebetuch mit Stehhilfe**

- Verwenden Sie das Hebetuch mit Stehhilfe in Kombination mit der Hubvorrichtung NIEMALS als Transportgerät. Der Anwendungszweck der Vorrichtung besteht darin, eine Person von einer Sitz- oder Liegefläche auf eine andere zu heben (wie z. B. von einem Bett in einen Rollstuhl).
- Stellen Sie sicher, dass das untere Ende des Hebetuchs mit Stehhilfe am unteren Rücken des Patienten positioniert ist und dass sich die Arme des Patienten außerhalb des Hebetuchs mit Stehhilfe befinden, bevor Sie den Patienten anheben. Der Gurt muss eng aber bequem am Patienten anliegen. Andernfalls kann es passieren, dass der Patient bei der Umlagerung aus dem Hebetuch rutscht und sich verletzt.
- Der Gurt muss eng aber bequem am Patienten anliegen. Andernfalls kann es passieren, dass der Patient bei der Umlagerung aus dem Hebetuch rutscht und sich verletzt.

**Umlagerungshebetuch mit Stehhilfe**

- Stellen Sie sicher, dass das untere Ende des Umlagerungshebetuchs am unteren Rücken des Patienten positioniert ist und dass sich die Arme des Patienten außerhalb des Umlagerungshebetuchs befinden.
- Heben Sie den Patienten NIEMALS in eine komplett stehende Position, während Sie das Umlagerungshebetuch verwenden, andernfalls besteht Verletzungsgefahr.



Weitere Informationen finden Sie in der Broschüre des Patientenhebetuchs.

## 5.2 Positionieren der Hubvorrichtung mit Stehhilfe



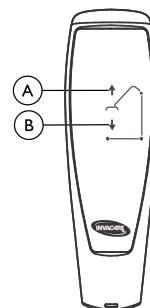
Lesen Sie den Sicherheitsabschnitt in diesem Handbuch sowie die Informationen in *5.1 Sicheres Heben, Seite 35* bevor Sie fortfahren, und beachten Sie unbedingt alle Warnungen.

Bevor Sie die Fußstreben der Hubvorrichtung unter einem Bett positionieren, müssen Sie sicherstellen, dass der darunter befindliche Bereich nicht durch Gegenstände versperrt ist.

**WARNUNG!****Verletzungsrisiko**

- Die Hubvorrichtung kann kippen und den Patienten und das Pflegepersonal gefährden.
- Die Fußstreben der Hubvorrichtung müssen so weit wie möglich auseinander stehen, damit ein Höchstmaß an Stabilität und Sicherheit gewährleistet ist. Sollte es erforderlich sein, die Fußstreben zusammen zu schieben, z. B. um die Hubvorrichtung unter einem Bett zu verschieben, lassen Sie die Fußstreben nur so lange zusammengeschoben, wie es dauert, die Hubvorrichtung über dem Patienten zu positionieren und ihn vom Bett abzuheben. Schieben Sie die Fußstreben der Hubvorrichtung wieder so weit wie möglich auseinander, sobald

sich die Fußstreben nicht mehr unter dem Bett befinden.



Ⓐ AUFWÄRTS-Taste

Ⓑ ABWÄRTS-Taste

1. Stellen Sie sicher, dass sich das Fahrgestell des Lifters in maximaler Öffnungstellung befinden. Wenn dies nicht der Fall ist, öffnen Sie das Fahrgestell mit Hilfe des Schalthebels.
2. Positionieren Sie den Patientenlifter an der gewünschten Stelle. Fassen Sie dazu stets den Griff am Masten an.
3. Drücken Sie auf der manuellen Steuerung auf die Nach-unten-Taste, um die Hebelarme abzusenken, denn so lässt sich der Gurt einfacher befestigen.

## 5.3 Anheben des Patienten

**WARNUNG!**

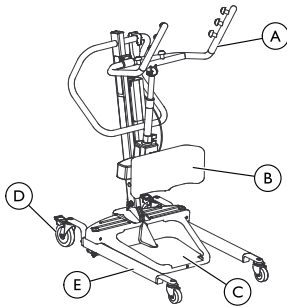
- Überschreiten Sie NIEMALS das zulässige Maximalgewicht (SWL) von 159 kg für die Hubvorrichtung.
- Personen, die das Hebetuch mit Stehhilfe verwenden, MÜSSEN in der Lage sein, einen Großteil ihres eigenen Gewichts zu tragen, ansonsten besteht Verletzungsgefahr.
- Sperren Sie die hinteren Rollen der Hubvorrichtung mit Stehhilfe für den Hebevorgang am Patienten NIEMALS. Bei gesperrten hinteren Rollen kann die Hubvorrichtung kippen und den Patienten und das Pflegepersonal gefährden. Die hinteren Rollen der Hubvorrichtung dürfen während der Hebevorgänge nicht gesperrt werden, damit die Hubvorrichtung sich selbst stabilisieren kann, wenn der Patient vom Stuhl, Bett oder einer anderen Fläche angehoben wird.
- Bewegen Sie den Patienten NIEMALS, wenn das Hebetuch nicht korrekt an den Befestigungspunkten an der Hubvorrichtung angebracht ist.

**WARNUNG!**

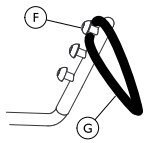
- Achten Sie darauf, dass das Hebetuch korrekt angebracht ist, BEVOR Sie den Patienten anheben. Korrigieren Sie das Problem, falls eine der Befestigungen nicht korrekt angebracht ist. Heben Sie das Hebetuch einige cm von der Oberfläche an und prüfen Sie erneut den korrekten Sitz von Hebetuch und sämtlichen Befestigungen, bevor Sie den Patienten umlagern. Falls Sie ein Problem entdecken, lassen Sie den Patienten noch einmal auf seine Auflagefläche ab und korrigieren Sie das Problem. Andernfalls besteht Gefahr von Verletzungen oder Sachschäden.

– Alle zugunsten von Komfort oder Sicherheit vorzunehmenden Einstellungen am Hebetuch müssen vor dem Anheben des Patienten erfolgen.

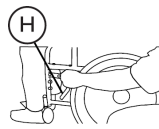
**Detail A — Hubvorrichtung mit Stehhilfe**



**Detail B — Hebetuchbefestigung**



**Detail C — Bremsen**



Ⓐ Handgriffe	Ⓔ Fußstrebe
Ⓑ Kniestütze	Ⓕ Haken
Ⓒ Fußplatte	Ⓖ Hebetuchgurte
Ⓓ Hintere Rolle	Ⓗ Bremse

**i** Der Patient MUSS sich zunächst in einer sitzenden Position befinden. Bringen Sie den Patienten mit dem Kopfende des Betts in eine aufrechte Position und bewegen Sie die Beine anschließend über die Bettkante.

1. Weisen Sie den Patienten an, sich an den Handgriffen an beiden Seiten der Patientenhubvorrichtung mit Stehhilfe festzuhalten (Detail A).
2. Weisen Sie den Patienten an, sich nach hinten in das Steh- bzw. Umlagerungshebetuch zu lehnen.



**WARNUNG!**

- Hebetuch mit Stehhilfe - Stellen Sie sicher, dass das untere Ende des Hebetuchs mit Stehhilfe am unteren Rücken des Patienten positioniert ist und dass sich die Arme des Patienten außerhalb des Hebetuchs mit Stehhilfe befinden, bevor Sie den Patienten anheben.
- Umlagerungshebetuch mit Stehhilfe - Stellen Sie sicher, dass das untere Ende des Umlagerungshebetuchs am unteren Rücken des Patienten positioniert ist und dass sich die Arme des Patienten außerhalb des Umlagerungshebetuchs befinden.

3. Stellen Sie Folgendes sicher:
  - a. Die Knie des Patienten liegen sicher auf der Kniestütze auf.
  - b. Die Füße des Patienten stehen sicher auf der Fußplatte.
  - c. Hebetücher:
    - das untere Ende des Hebetuchs mit Stehhilfe ist am unteren Rücken des Patienten positioniert.
    - das untere Ende des Umlagerungshebetuchs mit Stehhilfe ist am unteren Rücken des Patienten positioniert.
    - Die Arme des Patienten befinden sich außerhalb des Hebetuchs.
    - die Gurte am Hebetuch sind komplett in den Haken an den Hubarmen befestigt (Detail B).
  - d. Die hinteren Rollen sind entsperrt.
  - e. Die Fußstreben sind vollständig geöffnet.



**WARNUNG!**

– Beim Umlagern eines Patienten aus einem Rollstuhl MUSS die Rollstuhlbremse vor dem Absenken des Patienten in einen Rollstuhl blockiert werden. Andernfalls besteht Verletzungsgefahr.

4. Blockieren Sie die Rollstuhlbremse beim Umlagern aus einem Rollstuhl (Detail C).
5. Drücken Sie die AUFWÄRTS-Taste an der Handsteuerung, um den Patienten über die Oberfläche anzuheben (Bett, Rollstuhl oder Toilettensitz). Das Gewicht des Patienten wird dabei komplett von der Hubvorrichtung mit Stehhilfe getragen (Detail D).



Der tiefe Schwerpunkt verleiht der Hubvorrichtung Stabilität und gibt dem Patienten ein stärkeres Sicherheitsgefühl. Zudem lässt sich die Hubvorrichtung so leichter bewegen.

**5.4 Umlagern des Patienten**



**WARNUNG!**

- Die Fußstreben der Stehhilfe MÜSSEN so weit wie möglich auseinander stehen, damit ein Höchstmaß an Stabilität und Sicherheit gewährleistet ist. Wenn sich der Patient im Hebetuch befindet und eine schmale Passage durchqueren muss, schließen Sie die Fußstreben der Stehhilfe nur so lange, wie Sie für die Durchquerung der Passage benötigen. Bringen Sie die Fußstreben der Hubvorrichtung mit Stehhilfe nach dem Durchqueren der Passage wieder in eine vollständig geöffnete Position.
- Während der Umlagerung, bei der sich Patient in dem Hebetuch befindet, darf die Standeinheit NIEMALS über unebene Oberflächen gerollt werden, da sie sonst instabil werden könnte. Dabei besteht die Gefahr, dass die Hubvorrichtung umkippt. Verwenden Sie zum Schieben oder Ziehen der Hubvorrichtung stets den Steuerhebel am Mast.

1. Stellen Sie sicher, dass die Fußstreben der Hubvorrichtung komplett geöffnet sind. Drücken Sie andernfalls die FUSSÖFFNER-Taste an der Handsteuerung, um die Fußstreben komplett zu öffnen.
2. Bewegen Sie die Hubvorrichtung mit Stehhilfe von der bisherigen Auflage des Patienten weg.
3. Bewegen Sie den Patienten langsam auf die gewünschte Oberfläche.

## 6 Umlagern des Patienten

### 6.1 Sichere Umlagerung



#### WARNUNG!

- Überschreiten Sie NIEMALS das zulässige Maximalgewicht (SWL) von 159 kg für die Hubvorrichtung.
- Führen Sie KEINE Umlagerungen von Patienten ohne die Zustimmung medizinischen Fachpersonals durch. Lesen Sie die Anweisungen in diesem Anwenderhandbuch gründlich, lassen Sie sich die Hubverfahren von einem geschulten Expertenteam zeigen und führen Sie anschließend das gesamte Hubverfahren unter ordnungsgemäßer Anleitung an einer geeigneten Person durch, die sich als Patient zur Verfügung stellt. Auf Wunsch bieten wir Schulungen an. Weitere Informationen erhalten Sie von Ihrer lokalen Invacare-Niederlassung.
- Bewegen Sie den Patienten NIEMALS, wenn das Hebetuch nicht korrekt mit den Befestigungspunkten an der Hubvorrichtung verbunden ist. Prüfen Sie vor dem Anheben des Patienten, ob das Hebetuch korrekt mit den Befestigungspunkten an der Hubvorrichtung verbunden ist. Korrigieren Sie das Problem, falls eine der Befestigungen nicht korrekt angebracht ist. Heben Sie das Hebetuch einige cm von der Oberfläche an und prüfen Sie erneut den korrekten Sitz aller Befestigungen, bevor Sie den Patienten umlagern. Falls eine Befestigung nicht korrekt angebracht ist, lassen Sie den Patienten noch einmal auf seine Auflagefläche ab und korrigieren Sie das Problem. Andernfalls besteht Gefahr von Verletzungen oder Sachschäden.



#### WARNUNG!

- Alle zugunsten von Komfort oder Sicherheit vorzunehmenden Einstellungen am Hebetuch müssen vor dem Anheben des Patienten erfolgen. Die Arme des Patienten sollten sich außerhalb der Gurte befinden.
- Verwenden Sie für den Komfort und zur Sicherheit des zu hebenden Patienten Hebetücher, die vom medizinischen Fachpersonal empfohlen wurden.
- Sperren Sie die hinteren Rollen der Hubvorrichtung mit Stehhilfe für den Hebevorgang am Patienten NIEMALS. Bei gesperrten hinteren Rollen kann die Hubvorrichtung kippen und den Patienten und das Pflegepersonal gefährden.
- Die Fußstreben der Stehhilfe MÜSSEN so weit wie möglich auseinander stehen, damit ein Höchstmaß an Stabilität und Sicherheit gewährleistet ist. Wenn sich der Patient im Hebetuch befindet und eine schmale Passage durchqueren muss, schließen Sie die Fußstreben der Stehhilfe nur so lange, wie Sie für die Durchquerung der Passage benötigen. Bringen Sie die Fußstreben der Hubvorrichtung mit Stehhilfe nach dem Durchqueren der Passage wieder in eine vollständig geöffnete Position. Sollte es erforderlich sein, die Fußstreben zusammen zu schieben, z. B. um die Hubvorrichtung mit Stehhilfe unter einem Bett zu verschieben, lassen Sie die Fußstreben nur so lange zusammengeschieben, wie es dauert, die Hubvorrichtung mit Stehhilfe über dem Patienten zu positionieren und ihn vom Bett abzuheben. Öffnen Sie die Fußstreben der Hubvorrichtung mit Stehhilfe wieder komplett, sobald sich die Fußstreben nicht mehr unter dem Bett befinden.

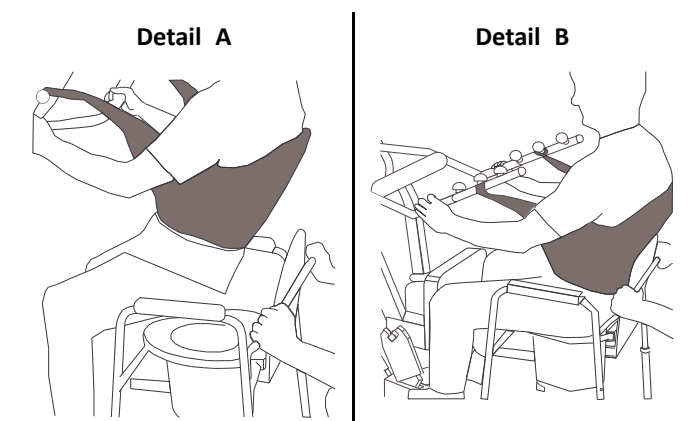


#### WARNUNG!

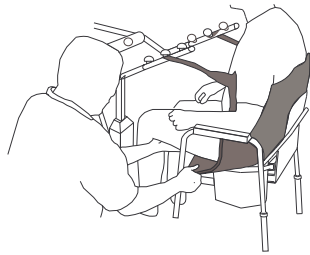
- Prüfen Sie die Hebetuchbefestigungen bei jedem Entfernen und Anbringen des Hebetuchs, um sicherzustellen, dass es ordnungsgemäß angebracht ist, bevor der Patient von der Oberfläche angehoben wird.

Der Einsatz nur eines Bedieners sollte nach Beurteilung der Pflegeperson in Abhängigkeit vom jeweiligen Fall erfolgen.


### 6.2 Umlagerung auf einen Toilettensitz



Detail C

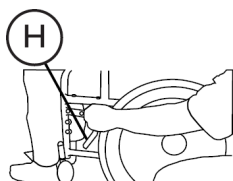
**WARNUNG!**

– Invacare empfiehlt, die hinteren Rollen der Hubvorrichtung nur für das Positionieren oder Abnehmen des Hebetuchs vom Patienten zu blockieren.

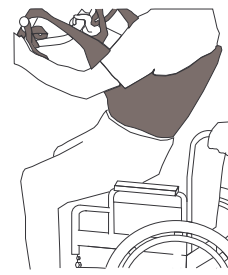
1. Heben Sie den Patienten von der Bettkante an.
  2. Drücken Sie die AUFWÄRTS-Taste an der Handsteuerung, um den Patienten weit genug anzuheben, sodass die Arme des Toilettenstuhls frei sind. Das Gewicht wird dabei von der Hubvorrichtung mit Stehhilfe getragen.
  3. Führen Sie den Patienten auf den Toilettensitz. Dabei sind möglicherweise zwei Personen erforderlich.
  4. Drücken Sie die ABWÄRTS-Taste, um den Patienten auf den Toilettensitz abzusenken.
  5. Sperren Sie die hinteren Rollen der Patientenhubvorrichtung mit Stehhilfe.
  6. Führen Sie je nach Art des Hebetuchs eine der folgenden Aktionen aus:
    - Hebetuch mit Stehhilfe - nehmen Sie die Stehhilfe von den Befestigungspunkten an der Hubvorrichtung ab.
    - Umlagerungshebetuch mit Stehhilfe -
      - a. nehmen Sie das Umlagerungshebetuch von den unteren Befestigungspunkten an der Hubvorrichtung ab.
      - b. Heben Sie die Beine des Patienten an und ziehen Sie die Beinstützen unter dem Patienten heraus.
      - c. Nehmen Sie bei Bedarf das Umlagerungshebetuch von den oberen Befestigungspunkten an der Hubvorrichtung ab.
-  Der Patient kann im oberen Teil des Umlagerungshebetuchs verbleiben, während auf dem Toilettensitz sitzt.
7. Weisen Sie den Patienten an, die Füße von der Fußplatte zu nehmen.
  8. Nehmen Sie das Hebetuch vom Patienten ab.
  9. Entsperrn Sie die hinteren Rollen und ziehen Sie die Patientenhubvorrichtung mit Stehhilfe vom Toilettensitz weg.
  10. Überprüfen Sie nach der Benutzung des Toilettensitzes, dass das Hebetuch korrekt angebracht ist.

## 6.3 Umlagerung in einen Rollstuhl

Detail A





Detail B



Detail C



Ⓜ = Rollstuhlbremse

1. Stellen Sie sicher, dass die Fußstreben der Vorrichtung geöffnet sind, wenn sich der Patient im Hebetuch befindet.
  2. Bringen Sie den Rollstuhl in Position.
  3. Blockieren Sie die Rollstuhlbremse, sodass der Rollstuhl nicht wegrollen kann (Detail A).
-  **WARNUNG!**  
– Lagern Sie den Patienten AUF KEINEN FALL in einen Rollstuhl ohne angezogene Bremse um. Vor dem Absenken des Patienten in einen Transportrollstuhl MUSS die Rollstuhlbremse blockiert werden. Andernfalls besteht Verletzungsgefahr.
4. Positionieren Sie den Patienten über dem Rollstuhl (Detail "B").
  5. Drücken Sie die Taste mit Pfeil nach unten, um den Patienten in den Rollstuhl abzusenken.
-  **WARNUNG!**  
– Blockieren Sie die hinteren Rollen der Hubvorrichtung AUSSCHLIESSLICH für das Positionieren oder Abnehmen des Hebetuchs vom Patienten (Stehhilfe bzw. Umlagerungs-Stehhilfe). Andernfalls besteht Verletzungsgefahr.
6. Blockieren Sie die hinteren Rollen.
  7. Nehmen Sie das Hebetuch von allen Befestigungspunkten der Hubvorrichtung ab.
  8. Weisen Sie den Patienten an, die Füße von der Fußplatte zu nehmen. Unterstützen Sie den Patienten dabei, falls erforderlich.
  9. Nehmen Sie das Hebetuch vom Patienten ab.
  10. Entsperrn Sie die hinteren Rollen und ziehen Sie die Patientenhubvorrichtung mit Stehhilfe vom Rollstuhl weg.

## 6.4 Umlagerung in ein Bett



Der tiefe Schwerpunkt verleiht der Hubvorrichtung Stabilität und gibt dem Patienten ein stärkeres Sicherheitsgefühl. Zudem lässt sich die Hubvorrichtung so leichter bewegen.



1. Positionieren Sie den Patienten so weit wie möglich über dem Bett.




Wenn der Patient von einer Auflage umgelagert wird, die niedriger als das Bett ist, drücken Sie die Pfeiltaste nach oben, um den Patienten über die Bettkante hinaus anzuheben. Heben Sie den Patienten nur so weit vom Bett ab, dass der Patient vollständig von der Hubvorrichtung getragen wird.

2. Drücken Sie die Taste mit Pfeil nach unten, um den Patienten auf das Bett abzusenken.

**WARNUNG!**

– Invacare empfiehlt, die hinteren Rollen der Hubvorrichtung NUR für das Positionieren oder Abnehmen des Hebetuchs vom Patienten zu blockieren.

3. Blockieren Sie die hinteren Rollen.
4. Nehmen Sie die Stehhilfe bzw. das Hebetuch mit Stehhilfe von allen Befestigungspunkten an der Hubvorrichtung ab.
5. Weisen Sie den Patienten an, die Füße von der Fußplatte zu nehmen.  
 Unterstützen Sie den Patienten dabei, falls erforderlich.
6. Nehmen Sie Stehhilfe bzw. Umlagerungs-Stehhilfe vom Patienten ab.
7. Entsperren Sie die hinteren Rollen und ziehen Sie die Patientenhubvorrichtung mit Stehhilfe vom Bett weg.

## 7 Problembehandlung

### 7.1 Tabelle Fehlerbehebung

PROBLEM	URSACHE	LÖSUNG
Geräusche oder Knirschen der Drehgelenke.	Schmierung erforderlich.	Lesen Sie hierzu auch <i>8.5 Schmieren der Hubvorrichtung, Seite 44.</i>
Elektrischer Verstellmotor beginnt nicht mit dem Hebevorgang, wenn die Taste gedrückt wird.	Verbindung zur Handsteuerung oder Verstellmotor locker.	Schließen Sie die Handsteuerung bzw. den Verstellmotor richtig an. Stellen Sie sicher, dass die Stecker ordnungsgemäß und vollständig eingesteckt sind.
	Schwache Batterie.	Laden Sie die Batterie auf. Lesen Sie hierzu auch <i>4.7 Laden der Batterie, Seite 32.</i>
	ROTER Not-Aus-Schalter ist eingedrückt.	Drehen Sie den ROTEN Not-Aus-Schalter im UHRZEIGERSINN, bis er wieder herauspringt.
	Batterie nicht richtig an Steuereinheit angeschlossen.	Schließen Sie die Batterie erneut an die Steuereinheit an. Lesen Sie hierzu auch <i>4.7 Laden der Batterie, Seite 32.</i>
	Die Anschlüsse sind beschädigt.	Tauschen Sie den Akkupack aus. Lesen Sie hierzu auch <i>4.7 Laden der Batterie, Seite 32.</i>
	Der elektrische Verstellmotor muss gewartet werden, oder die Last ist zu schwer.	Lesen Sie hierzu auch <i>8.7 Austausch des elektrischen Verstellmotors, Seite 45.</i> Setzen Sie sich mit Ihrem Händler oder Invacare-Vertreter in Verbindung.
Ungewöhnliche Geräusche vom Verstellmotor des Hubarms.	Verstellmotor ist verschlissen oder beschädigt, oder die Spindel ist verbogen.	Lesen Sie hierzu auch <i>8.7 Austausch des elektrischen Verstellmotors, Seite 45.</i> Setzen Sie sich mit Ihrem Händler oder Invacare-Vertreter in Verbindung.
Hubarme fahren nicht aus der höchsten Position nach unten.	Zum Absenken der Hubarme aus der höchsten Position ist ein Mindestgewicht erforderlich.	Ziehen Sie die Hubarme leicht nach unten.
Die Fußstreben öffnen und schließen sich nicht korrekt.	Die Verstellmotoren der Fußstreben sind verschlissen oder beschädigt, oder die Spindel ist verbogen.	Lesen Sie hierzu auch <i>8.6 Einstellen der Basis, Seite 44.</i>



Bei Problemen, die nicht durch die genannten Lösungen behoben werden können, setzen Sie sich mit Ihrem Händler oder Invacare in Verbindung.

## 8 Instandhaltung

### 8.1 Prüfliste für Wartung und Überprüfung der Sicherheit



#### WARNUNG!

- Die Wartung DARF NUR von qualifiziertem Personal vorgenommen werden.
- Eine kompetente Person muss die ausreichende Stärke und Stabilität des Produkts bei allen Arbeiten sicherstellen, wenn Teile ausgetauscht werden.
- Ziehen Sie die Befestigungsteile NIEMALS zu fest an, um die Halterungen nicht zu beschädigen.



Um die Hubvorrichtung kontinuierlich einsatzbereit zu halten, halten Sie bitte die in diesem Handbuch beschriebenen Wartungsverfahren ein.

Die Invacare-Patientenhubvorrichtung ist für einen möglichst sicheren, effizienten und zufriedenstellenden Betrieb bei einem Mindestmaß an Wartung und Pflege ausgelegt.

Alle Teile der Invacare-Hubvorrichtung bestehen aus hochgradigem Stahl. Allerdings führt die Reibung von Metall auf Metall nach starkem Gebrauch zu Verschleiß.

Rollen und Bremsen müssen weder eingestellt noch gewartet, sondern lediglich gereinigt, geschmiert und deren Achsen und Bolzen auf festen Sitz überprüft werden. Reinigen Sie die Räder und Drehgelenklager von allen Verunreinigungen. Tauschen Sie alle Teile UNVERZÜGLICH aus, die Anzeichen von Verschleiß aufweisen.

Wenn Sie Zweifel an der Sicherheit eines Teils der Hubvorrichtung haben, kontaktieren Sie SOFORT Ihren Händler.

Die regelmäßige Wartung von Patientenhubvorrichtungen und deren Zubehör ist für eine ordnungsgemäße Funktionsweise unabdingbar. Die für die Hubvorrichtung verantwortliche Person ist ebenfalls für die Durchführung dieser Wartung verantwortlich.

Nach den ersten 12 Monaten im Betrieb müssen alle Drehpunkte und Befestigungen auf Abnutzung geprüft werden. Wenn die Metallteile Anzeichen von Verschleiß aufweisen, MÜSSEN diese ausgetauscht werden. Führen Sie diese Inspektion im Anschluss alle sechs Monate durch.

Datum der Prüfung:	Initialen:
<b>STANDEINHEIT MIT ROLLEN:</b> <ul style="list-style-type: none"> <li><input type="checkbox"/> Überprüfen Sie die Standeinheit auf Vollständigkeit.</li> <li><input type="checkbox"/> Die Fußstreben der Standeinheit sollten sich leicht nach innen/außen verschieben lassen.</li> <li><input type="checkbox"/> Überprüfen Sie die Rollen und Achsbolzen auf festen Sitz.</li> <li><input type="checkbox"/> Überprüfen Sie die Rollen auf Leichtgängigkeit.</li> <li><input type="checkbox"/> Entfernen Sie jegliche Art von Verunreinigung.</li> <li><input type="checkbox"/> Überprüfen Sie die Drehgelenke auf Anzeichen von Verschleiß.</li> </ul>	

#### HEBETÜCHER UND GESTELL

- Prüfen Sie bei jeder Verwendung alle Hebetuchanbringungen, um sicherzustellen, dass das Hebetuch richtig befestigt und der Patient darin sicher ist.
- Überprüfen Sie das Material des Hebetuchs auf Anzeichen von Verschleiß.
- Überprüfen Sie die Gurte auf Anzeichen von Verschleiß.
- Überprüfen Sie die Nähte.

#### DIE VERSTELLMOTOREINHEIT

- Überprüfen Sie den Motor auf Dichtigkeit.
- Überprüfen Sie alle Teile an Mast, Arm und Standeinheit.
- Überprüfen Sie sie auf Verschleiß und Abrieb. Senden Sie diese bei Beschädigungen an das Werk zurück.
- Führen Sie einen Zyklus durch, um den leichten und leisen Betrieb des Verstellmotors zu überprüfen.

#### HUBARME UND VERBINDUNGEN

- Überprüfen Sie das gesamte Gestell und die Befestigungspunkte.
- Überprüfen Sie sie auf Verbiegungen.
- Überprüfen Sie die Schraubverbindungen der Hubarme auf Verschleiß.
- Stellen Sie sicher, dass sich die Hubarme mittig zwischen den Fußstreben befinden.
- Überprüfen Sie die Drehgelenke auf Anzeichen von Verschleiß.
- Überprüfen Sie die Hebetuchhaken auf Verschleiß und Verbiegungen.

#### DER MAST

- Der Mast muss sicher an den Hubarmen befestigt sein.
- Überprüfen Sie sie auf Verbiegungen.
- Überprüfen Sie die Drehgelenke auf Anzeichen von Verschleiß.

#### REINIGUNG

- Nach Bedarf.

### 8.2 Reinigung von Hebetuch und Hubvorrichtung



#### WARNUNG!

- Prüfen Sie das Hebetuch NACH der Reinigung (gemäß der Reinigungsanweisungen auf dem Hebetuch). Stellen Sie sicher, dass dieses keine Verschleißerscheinungen und schadhafte Nähte aufweist. Patientenhebetücher, die diese Beschreibung nicht erfüllen, müssen SOFORT entsorgt werden.

#### Reinigung des Hebetuchs

Die Hebetücher müssen regelmäßig bei Wassertemperaturen von maximal 95°C und einem biologischen Reinigungsmittel gewaschen werden. Weitere Informationen finden Sie in den Reinigungshinweisen in der Bedienungsanleitung des Patientenhebetuchs.

## Reinigung und Desinfektion der Hubvorrichtung

Zur Vermeidung von Kreuzinfektionen muss die Hubvorrichtung nach jeder Verwendung gereinigt und desinfiziert werden.

Reinigen Sie die Hubvorrichtung dazu lediglich mit einem weichen Tuch sowie etwas Wasser und einer kleinen Menge eines milden Reinigungsmittels. Verwenden Sie keine Scheuermittel.

Verwenden Sie zur Reinigung der Hubvorrichtung weder saure oder alkalische Flüssigkeiten noch Lösungsmittel. Trocknen Sie die Hubvorrichtung nach der Reinigung vorsichtig ab.

Wird die Hubvorrichtung nicht wie hier angegeben gereinigt, können Motor, Steuereinheit sowie Montagebauteile Schaden nehmen.

Die Hubvorrichtung ist mit einem feuchten, gut ausgewringenen Tuch sowie herkömmlichen Haushaltsdesinfektionsmitteln abzuwischen. Verwenden Sie ausschließlich Desinfektionsmittel, die von der jeweiligen Einrichtung zugelassen sind.

## 8.3 Wiederverwendung

Dieses Produkt ist für den wiederholten Gebrauch bestimmt. Die maximale Anzahl an Wiederholungen ist vom Zustand des Produkts abhängig.

Zur Vermeidung von Infektionen müssen Hubvorrichtung und Hebetücher nach jeder Verwendung gereinigt werden. Lesen Sie vor der Wiederverwendung *8.2 Reinigung von Hebetuch und Hubvorrichtung, Seite 43*.

## 8.4 Suche nach Abnutzung und Schäden

Es ist wichtig, dass alle unter Belastung stehenden Teile, wie z. B. Hebetücher, Hubarm und Drehgelenke, auf Anzeichen von Rissen, Ausfransungen, Verformung oder Abrieb überprüft werden. Tauschen Sie alle defekten Teile UNVERZÜGLICH aus und stellen Sie sicher, dass die Hubvorrichtung nicht verwendet wird, bis die Reparaturen daran erfolgt sind.

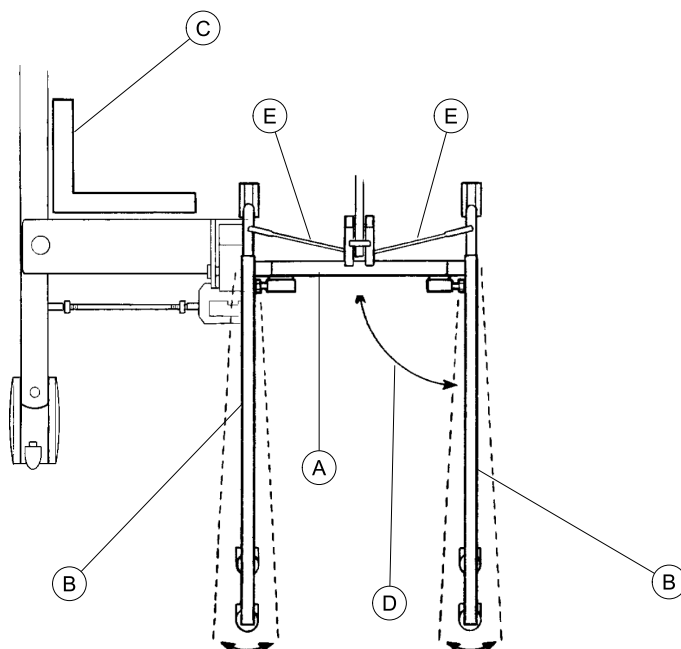
## 8.5 Schmieren der Hubvorrichtung

Die Invacare-Hubvorrichtung ist sehr wartungsarm. Trotzdem sollte sie alle sechs Monate überprüft und geschmiert werden, damit ihre Sicherheit und Zuverlässigkeit weiterhin gegeben ist.

Achten Sie darauf, dass Hubvorrichtung und Hebetücher stets in einwandfreiem Zustand und einsatzbereit sind. Jeder Defekt muss dokumentiert und Ihrem Händler schnellstmöglich gemeldet werden.

Die Rollen MÜSSEN reibungslos schwenken und rollen. Die Kugellager der Rollen können einmal pro Jahr mit einem leichten Öl (wasserfestes Schmiermittel) geschmiert werden. Führen Sie diesen Vorgang häufiger durch, wenn die Rollen extremer Feuchtigkeit ausgesetzt sind.

## 8.6 Einstellen der Basis



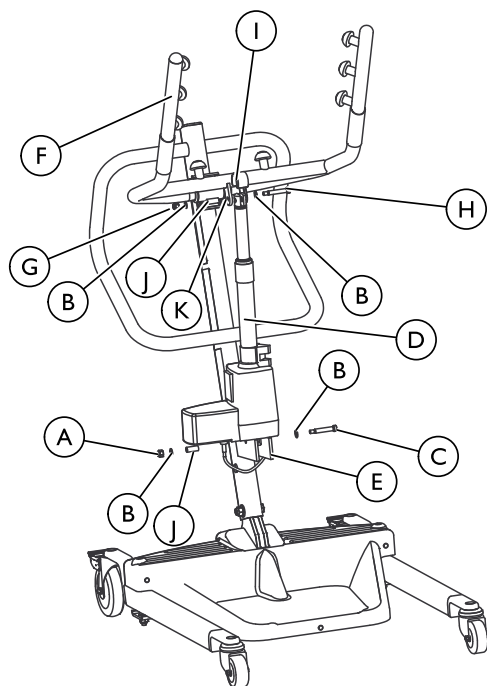
Die Basisanpassung (A) sollte nicht verlangen, andere als die Anpassung die Verbindungsstangen Aufmerksamkeit.

! Schäden an der Lift Kann auftreten.  
– Der Fußschiene sind in der vollständig geschlossenen Position vor dem Einstellen der Verbindungsstangen sein.

1. Schließen Sie der Fußschiene den ganzen Weg. Siehe *4.2.1 Zusammenklappen und Öffnen der Fußschiene, Seite 31*.
2. Überprüfen Sie die Rechtwinkligkeit der Fußschiene (B) in der zusammengeklappten Position.
3. Legen Sie einen rechten Winkel (C) an die Innenseite der Fußschiene und der Basis an, um die 90°-Ausrichtung (D) zu überprüfen.
4. Stellen Sie die Verbindungsstangen (E) so ein, dass die 90°-Ausrichtung erreicht wird.

! Schäden an der Lift Kann auftreten.  
– NICHT passen Sie die Verbindungsstangen so der Fußschiene sind bei weniger als 90 ° Ausrichtung.

## 8.7 Austausch des elektrischen Verstellmotors



Ⓐ Untere Mutter	Ⓒ Obere Mutter
Ⓑ Unterlegscheibe	Ⓓ Schraube
Ⓒ Ansatzschraube	Ⓘ Halterung
Ⓓ Elektrischer Verstellmotor	Ⓛ Hülse
Ⓔ Montagehalterung des Masts	Ⓚ Montagehalterung des Hebearms
Ⓕ Hebearm	



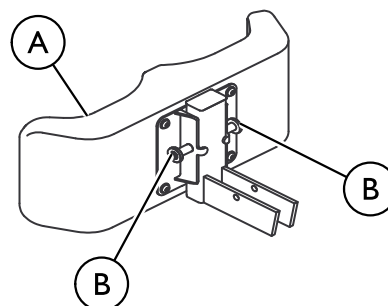
### WARNUNG!

– Schrauben und andere Montageverbindungen NICHT ZU FEST anziehen. Die Befestigungen könnten dadurch beschädigt werden.

1. Entfernen Sie die untere Mutter, die Unterlegscheiben, die Ansatzschraube und Hülse, mit der der elektrische Verstellmotor an der Montagehalterung des Masten befestigt ist.
2. Lehnen Sie den Hebelarm gegen Ihre Schulter und entfernen Sie die obere Mutter und Schraube sowie die Halterung, Hülse (sofern vorhanden) und Unterlegscheiben von der Montagehalterung des Hebelarms.

3. Entfernen Sie den elektrischen Verstellmotor.
4. Führen Sie die SCHRITTE 1 bis 3 in umgekehrter Reihenfolge aus, um den neuen elektrischen Verstellmotor zu montieren.

## 8.8 Einstellen der Kniepolster-Höhe



Ⓐ Kniepolster	Ⓑ Einstellungsstift
---------------	---------------------



### WARNUNG!

– Das Kniepolster NIEMALS einstellen, wenn sich der Patient in der Standposition befindet.  
 – Das Kniepolster NIEMALS einstellen, wenn der Lift bewegt wird.  
 – IMMER sicherstellen, dass die Einstellungsstifte in den entsprechenden Einstellungsöffnungen fest eingerastet sind.

1. Wählen Sie eine Höheneinstellung, die für den Patienten angenehm ist und die erforderliche Abstützung bietet.  
 ⓘ Das Kniepolster sollte so positioniert werden, dass die Knie des Patienten auf dem Kniepolster aufliegen.
2. Ziehen Sie mit beiden Händen die Einstellungsstifte gleichzeitig nach außen.
3. Stellen Sie das Kniepolster auf die gewünschte Höhe ein und lassen Sie die Einstellungsstifte in die entsprechenden Löcher einrasten.
4. Überprüfen Sie, dass beide Stifte fest eingerastet sind.

## 9 Technische Daten

### 9.1 Aufstehlift RSP350-1E und RPS350-1FR

Höhe (Gurt) – Maximale Höhe	168 cm
Höhe (Gurt) – Minimale Höhe	102 cm
Breite der Basis (offen)	94 cm
Breite der Basis (zusammengeklappt)	66 cm
Höhe der Basis (Zwischenraum)	11,5 cm
Länge der Basis	90 cm
Gesamthöhe	125 cm
Gesamtlänge	99 cm
Gesamtbreite	65,5 cm
Rollengröße (VORNE/HINTEN)	8 cm / 13 cm
Gurtoptionen	Stehhilfe oder Umlagerung
Gurtmaterial	Polyester
Zulässiges Maximalgewicht (SWL) (Patient + Hebetuch)	159 kg
Gesamtgewicht (ohne Verpackung)	49 kg
Batterie (Ausgangsspannung)	24V DC mb max. 240VA (RCHBL)
Ladegeräteingangsspannung	100-240V AC ~ 50/60 Hz
Ladegeräteausgangsspannung/Ladedauer	29,5V DC 2,9 Ah Max. 6 Stunden
Alarmton/Warnlampe bei schwacher Batterie	Ja
Motorsicherheitseinrichtungen	Schutzvorrichtung gegen Einklemmen
*Ca. Hubvorgänge pro Aufladung (Betriebsbereitschaft)	*100-200 Zyklen pro Aufladung

Max. Eingangsstrom	Max. 400 mA
Betriebstemperatur	5° bis 40° C
Luftfeuchtigkeit	20% bis 90% bei 30° nicht kondensierend
Schalldruck	< 50 dB
Luftdruck	700 bis 1060 hPa
Lagertemperatur	über 0° C
Luftfeuchtigkeit für Lagerung	unter 60%
Luftdruck für Lagerung	700 hPa bis 1060 hPa
Schutzgrad, Steuereinheit	IPX4
Schutzgrad, Handsteuerung	IPX4
Schutzgrad, Motor	IPX4
Isolationsklasse	Gerät der Klasse II, Anwendungsteil Typ B
Betriebspausen	10%, max. 2 Minuten/18 Minuten
Batteriekapazität	2,9 Ah
Manuelle Notabsenkung	Ja
Elektrisches Heben/Senken im Notfall	Ja/Ja
Erwartete Lebensdauer	8 Jahre
Hubgeschwindigkeit	Die Aufstehlift-Hubvorrichtung erfüllt die ENISO10535-Vorschriften für "Hub- und Senkgeschwindigkeit" (<0,15 m/s unter maximaler Last und <0,25 m/s ohne Last)

 \* Variiert je nach Last und Bewegung.

# Contenido

Este manual DEBE ser entregado al usuario final. ANTES de usar este producto lea este manual y guárdelo para futuras referencias.

<b>1 Generalidades</b>	<b>48</b>
1.1 Introducción	48
1.2 Símbolos	48
1.3 Uso previsto	48
1.3.1 Contraindicaciones	49
1.4 Componentes incluidos	49
1.5 Vida útil	49
1.5.1 Información adicional	49
1.6 Información sobre la garantía	49
1.7 Cumplimiento	49
1.7.1 Normas específicas del producto	49
<b>2 Seguridad</b>	<b>50</b>
2.1 Directrices generales	50
2.2 Información sobre el funcionamiento	50
2.2.1 Generalidades	50
2.2.2 Posición	51
2.2.3 Eliminación	51
2.3 Interferencias de radiofrecuencia	51
2.4 Etiqueta del producto	51
<b>3 Instalación</b>	<b>52</b>
3.1 Montaje seguro	52
3.2 Montaje del mástil a la base	52
3.3 Preparación de la grúa para su utilización	52
3.4 Instalación de la palanca de apertura	52
3.5 Instalación del cargador de pared de las baterías	52
<b>4 Utilización</b>	<b>54</b>
4.1 Introducción	54
4.2 Apertura y cierre de las patas	54
4.2.1 Apertura y cierre de las patas manual	54
4.3 Bloqueo/desbloqueo de las ruedas traseras	54
4.4 Subida/descenso de la grúa	54
4.4.1 Subida/descenso de un elevador eléctrico	54
4.5 Activación de un mecanismo de liberación de emergencia	55
4.5.1 Mecanismo de liberación principal en caso de emergencia	55
4.5.2 Mecanismo de liberación auxiliar en caso de emergencia	55
4.6 Realización de una parada de emergencia	55
4.7 Carga de la batería	55
4.7.1 Indicador de la batería	55
4.7.2 Utilización de un cable de alimentación para cargar la batería	56
4.7.3 Utilización del cargador para cargar la batería	56
<b>5 Elevación del paciente</b>	<b>57</b>
5.1 Elevación segura	57
5.2 Preparación para levantar al paciente	57
5.3 Elevación del paciente	58
5.4 Movimiento del paciente	59
<b>6 Traslado del Paciente</b>	<b>60</b>
6.1 Traslado seguro	60
6.2 Traslado a una silla inodora	60
6.3 Traslado a una silla de ruedas	61
6.4 Traslado a una cama	61
<b>7 Solución de problemas</b>	<b>62</b>
7.1 Tabla de solución de problemas	62
<b>8 Mantenimiento</b>	<b>63</b>
8.1 Lista de verificación de la inspección de seguridad	63
8.2 Limpieza de la eslinga y de la grúa	63
8.3 Reutilización	64
8.4 Detección de desgaste y daños	64
8.5 Lubricación de la grúa	64
8.6 Ajuste de la base	64
8.7 Reemplazo del pistón eléctrico	65

8.8 Ajuste de la altura de la rodillera	65
<b>9 Datos Técnicos</b>	<b>66</b>
9.1 Elevador de paciente con soporte para ponerse de pie RSP350-1E y RPS350-1FR	66

# 1 Generalidades

## 1.1 Introducción

Este manual del usuario contiene información importante sobre el manejo del producto. Para garantizar la seguridad cuando utilice el producto, lea detenidamente el manual del usuario y siga las instrucciones de seguridad.

Tenga en cuenta que puede haber secciones de este manual del usuario que no sean relevantes para su producto, ya que este manual se aplica a todos los modelos disponibles (en la fecha de impresión). Si no se indica lo contrario, cada sección de este manual hace referencia a todos los modelos del producto.

Los modelos y las configuraciones disponibles en su país pueden encontrarse en las listas de precios específicas del país.

Invacare se reserva el derecho de modificar las especificaciones del producto sin previo aviso.

Antes de leer este manual, asegúrese de contar con la versión más reciente. Podrá encontrarla en formato PDF en el sitio web de Invacare.

Si la versión impresa del manual del usuario tiene un tamaño de letra que le resulta difícil de leer, podrá descargarlo en formato PDF en el sitio web. Podrá ampliar el PDF en pantalla a un tamaño de letra que le resulte más cómodo.

Para obtener más información sobre el producto, por ejemplo, avisos de seguridad sobre el producto y retiradas del producto, póngase en contacto con su representante de Invacare. Consulte las direcciones al final de este documento.

## 1.2 Símbolos

En este manual se utilizan símbolos que hacen referencia a peligros o usos poco seguros que pueden provocar lesiones o daños a la propiedad. A continuación, se muestran las descripciones de estos símbolos.



### ¡ADVERTENCIA!

– Indica una situación potencialmente peligrosa que, si no se evita, puede tener como consecuencia la muerte o lesiones graves.



### ¡PRECAUCIÓN!

– Indica una situación potencialmente peligrosa que, si no se evita, puede tener como consecuencia daños a la propiedad o lesiones leves, o bien ambas cosas.



### ¡IMPORTANTE

– Indica una situación peligrosa que, si no se evita, puede tener como consecuencia daños en la propiedad.



Proporciona consejos útiles, recomendaciones e información para un uso eficiente y sin problemas.



Fecha de fabricación.



Este producto cumple con la Directiva 93/42/EEC en lo concerniente a dispositivos médicos.

La fecha de lanzamiento de este producto figura en la declaración de conformidad CE.



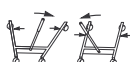
Lea el manual



Tono audible cuando la batería está baja. Consulte 4.7 *Carga de la batería*, página 55.



Bloqueo de ruedas



Abra/cierre las patas



Eleve/baje el brazo



Parada de emergencia



Carga de utilización segura



Aislamiento doble, equipo de clase II



Pieza aplicada de Tipo B



Recicle este producto. Consulte 2.2.3 *Eliminación*, página 51.

## 1.3 Uso previsto



### ¡ADVERTENCIA!

#### Riesgo de caída

La grúa de elevación de Invacare NO está diseñada como un dispositivo de transporte. Su finalidad es trasladar al paciente de una superficie de asiento a otra (por ejemplo, de una cama a una silla de ruedas).

Las eslingas y los accesorios para grúas de Invacare han sido diseñados específicamente para utilizarse con grúas de elevación de Invacare.

Para evitar lesiones o caídas:

- Los pacientes que se van a trasladar y colocar con ayuda del elevador con soporte para ponerse de pie DEBEN ser capaces de colaborar, responder de forma coherente y controlar la cabeza y el cuello. De lo contrario, podrían producirse lesiones.
- Los pacientes que se van a trasladar y colocar utilizando la eslinga con soporte para ponerse de pie DEBEN ser capaces de soportar la mayor parte de su propio peso. De lo contrario, podrían producirse daños o lesiones. Para obtener más información, consulte el manual del usuario de la eslinga.



Las grúas de elevación son dispositivos de traslado alimentados por baterías, diseñados para utilizarse en las situaciones de elevación más habituales, por ejemplo:

- Entre la cama y una silla de ruedas
- Hacia y desde el inodoro

La grúa de elevación solo está diseñada para elevar pacientes que no superen la limitación de peso máxima que se indica en los datos técnicos.

El producto se ha diseñado únicamente para uso en espacios interiores.

Es importante seleccionar las eslingas y los accesorios adecuados para cada persona con el fin de mantener la seguridad durante el uso de una grúa de elevación. Consulte los manuales del usuario de las eslingas y los accesorios de Invacare para obtener más información acerca de estos dispositivos.

Invacare recomienda trasladar al paciente a una silla de ducha u otro medio para el baño.

La grúa de elevación puede girarse (rotarse) en su posición para los traslados en los que el espacio sea limitado.

### 1.3.1 Contraindicaciones

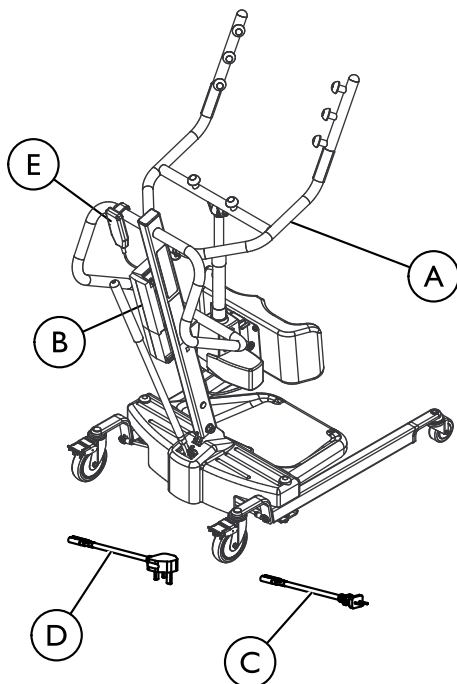
El elevador con soporte para ponerse de pie está contraindicado en pacientes que:

- no colaboran
- no son coherentes
- no controlan la cabeza y el cuello

Algunas eslingas diseñadas para grúas de bipedestación para ponerse de pie están contraindicadas para su uso con pacientes que no pueden soportar la mayoría de su propio peso. Para obtener más información, consulte el manual del usuario de la eslinga.

## 1.4 Componentes incluidos

Los elementos que se enumeran en las tablas se incluyen en el paquete. Las eslingas y las barras del pescante se venden por separado. En función de su modelo, es posible que el cargador de pared se venda por separado.



Elemento	Descripción	Cantidad
A	Elevador	1
B	Batería	1
C	Cable de carga, UE	1
D	Cable de carga, Reino Unido (solo RPS350-1E)	1
E	Control manual	1
F	Manual del usuario del elevador (no se muestra)	1

## 1.5 Vida útil

La vida útil prevista para este producto es de ocho años, siempre y cuando se utilice diariamente y en conformidad con las instrucciones de seguridad y se respeten los intervalos de mantenimiento y las instrucciones de cuidado indicadas en el presente manual. La vida útil real puede variar en función de la frecuencia y la intensidad del uso.

### 1.5.1 Información adicional

La vida útil prevista se basa en una media estimada de cuatro ciclos de elevación por día.

## 1.6 Información sobre la garantía

Ofrecemos la garantía del fabricante del producto conforme a nuestras Condiciones generales y Condiciones comerciales en los distintos países.

Las reclamaciones relativas a la garantía solo pueden efectuarse a través del distribuidor en el que se adquirió el producto.

## 1.7 Cumplimiento

La calidad es fundamental para el funcionamiento de la empresa, que trabaja conforme a las normativas ISO 13485.

Este producto lleva la marca CE correspondiente, en cumplimiento con la Directiva sobre dispositivos médicos 93/42/CEE Clase 1.

Trabajamos continuamente para garantizar que se reduzca al mínimo el impacto medioambiental de la empresa, tanto a nivel local como global.

Solo utilizamos materiales y componentes que cumplen con las directivas REACH.

Cumplimos con las leyes medioambientales actuales RAEE y RoHS.

### 1.7.1 Normas específicas del producto

Este producto se ha sometido a pruebas y cumple con la norma ISO 10535 (Grúas para el traslado de personas con discapacidad) y todos los estándares relacionados.

Para obtener más información sobre las normativas locales, póngase en contacto con el representante local de Invacare. Consulte las direcciones al final de este documento.

## 2 Seguridad

### 2.1 Directrices generales



#### ¡ADVERTENCIA!

– NO utilice este producto ni cualquier otro equipo opcional disponible sin antes haber leído y comprendido estas instrucciones y cualquier otro material informativo adicional, como manuales del usuario, manuales de servicio u hojas de instrucciones, proporcionados con este producto o equipo opcional. Si tiene alguna duda relacionada con las advertencias, precauciones o instrucciones, póngase en contacto con un profesional sanitario, su distribuidor o un técnico antes de intentar utilizar este equipo. De lo contrario, existe el riesgo de producirse lesiones o daños.

#### ADVERTENCIA SOBRE LOS ACCESORIOS

Los productos Invacare están específicamente diseñados y fabricados para usarse con los accesorios Invacare.

Invacare no ha probado los accesorios diseñados por otros fabricantes y, por consiguiente, estos no están recomendados para su empleo con los productos Invacare. En determinadas circunstancias, se pueden utilizar las eslingas de otros fabricantes.

– Póngase en contacto con la oficina local de Invacare para obtener más información sobre los accesorios.



#### AVISO

– La información incluida en este documento está sujeta a cambios sin previo aviso.

Compruebe que todas las piezas le hayan sido entregadas en perfecto estado antes de usarlas. Si observa algún desperfecto, NO utilice el producto. Póngase en contacto con el representante o distribuidor de Invacare para obtener más instrucciones.

### 2.2 Información sobre el funcionamiento

En esta sección del manual se incluye información general de seguridad sobre el producto. Para obtener información específica, consulte la sección correspondiente del manual y los procedimientos que se recogen en ella. Por ejemplo, para obtener información de seguridad sobre el montaje de la grúa, consulte sección 3 *Instalación*, página 52.

#### 2.2.1 Generalidades



#### ¡ADVERTENCIA!

##### Riesgo de caída

NO intente ningún traslado sin contar con la aprobación del médico, la enfermera o el auxiliar a cargo del paciente. Lea detenidamente las instrucciones de este manual del usuario, vea cómo un equipo de expertos con la formación necesaria realiza los procedimientos de elevación y, a continuación, realice varias veces todo el proceso de elevación con la supervisión correspondiente y con una persona preparada que actúe como paciente.

- Utilice el sentido común. Se DEBE tener especial cuidado con las personas con discapacidades que no pueden colaborar mientras se las levanta.
- Utilice en todo momento la palanca de dirección del mástil para empujar el elevador del paciente o tirar de él.
- No olvide comprobar las conexiones de la eslinga cada vez que esta se quite o se ponga para garantizar que está convenientemente ajustada antes de trasladar al paciente desde la silla, la cama o el inodoro.



#### ¡ADVERTENCIA!

##### Riesgo de daños o lesiones

Algunas superficies pueden hacer que el elevador pierda su estabilidad y, por lo tanto, se produzcan lesiones o daños.

El elevador puede utilizarse en la zona de la ducha o baño, aunque un exceso de humedad causará daños en el elevador y podría provocar lesiones.

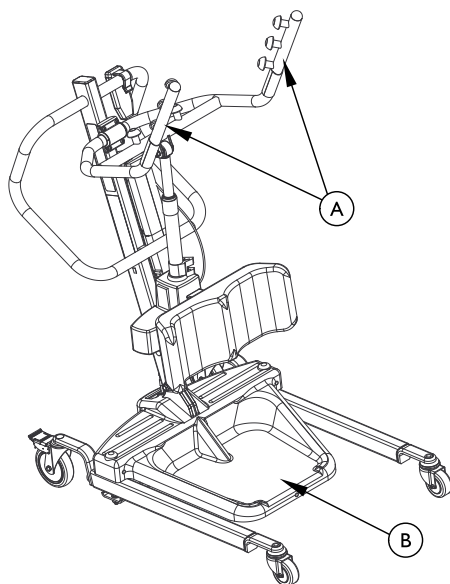
- Evite utilizar la eslinga en superficies inclinadas. Invacare recomienda que el elevador solo se utilice en superficies planas.
- NO haga rodar la superficie de las ruedas sobre superficies irregulares que puedan hacer que el elevador vuelque.
- NO utilice el elevador de paciente en la ducha o en el baño, ni en cualquier ambiente de humedad prolongada.
- Asegúrese de secar cualquier resto de humedad del elevador después de utilizarlo.
- NO guarde el elevador mojado ni en un sitio húmedo. Consulte los intervalos de temperatura de almacenamiento, humedad y presión que se indican en 7.1 *Tabla de solución de problemas*, página 62.
- Inspeccione periódicamente todos los componentes de los elevadores en busca de señales de corrosión. Sustituya todas las piezas que estén corroídas o deterioradas.

### 2.2.2 Posición



**¡ADVERTENCIA!**  
**Riesgo de lesiones**

- SIEMPRE esté consciente de los brazos de la grúa. El paciente y/o asistente podrían sufrir lesiones.
- SIEMPRE esté consciente del reposapiés, especialmente la posición del paciente en dicha área. El paciente y/o asistente podrían sufrir lesiones.



- i**    **A** = Brazo de elevación  
       **B** = Reposapiés

### 2.2.3 Eliminación



**¡ADVERTENCIA!**  
**Riesgo medioambiental**

Este producto ha sido suministrado por un fabricante respetuoso con el medio ambiente que cumple lo dispuesto por la directiva Residuos de Aparatos Eléctricos y Electrónicos (RAEE) 2012/19/EU.

El dispositivo tiene baterías de ácido-plomo. Este producto puede contener sustancias que podrían ser perjudiciales para el medio ambiente si se desecha en lugares (vertederos) que no sean los idóneos según la legislación.

- NO tire las baterías con la basura doméstica. DEBEN llevarse a un punto limpio adecuado. Póngase en contacto con la empresa de gestión de residuos local para obtener información.
- Proteja el medio ambiente y recicle este producto a través de la planta de reciclaje más próxima cuando llegue al final de su vida útil.

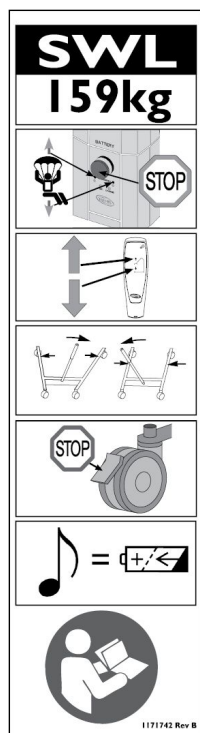
### 2.3 Interferencias de radiofrecuencia



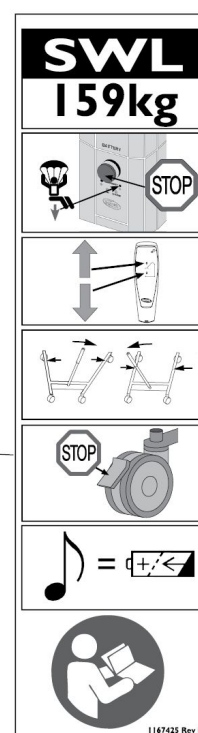
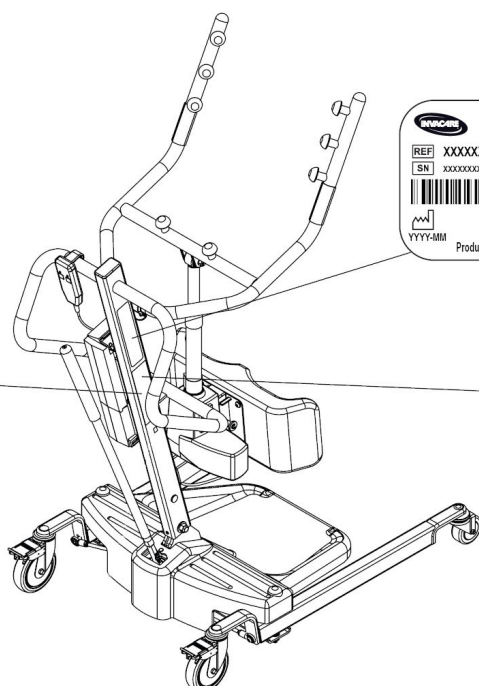
**¡ADVERTENCIA!**

- La mayoría de los equipos electrónicos sufre los efectos de las interferencias de radiofrecuencia (RFI). Proceda con precaución a la hora de utilizar equipo de comunicaciones portátil en el área que rodea dichos equipos. Si la RFI provoca un comportamiento irregular, PRESIONE INMEDIATAMENTE el interruptor de alimentación rojo para apagar el dispositivo. NO presione el botón de alimentación para encenderlo mientras la transmisión esté en curso.

### 2.4 Etiqueta del producto



**RPS350-IFR**



**RPS350-IE**

## 3 Instalación

### 3.1 Montaje seguro



**¡ADVERTENCIA!**

**Riesgo de lesiones**

Un montaje incorrecto puede provocar lesiones o daños.

- El montaje solo DEBE realizarlo personal cualificado.
- Para el montaje de este elevador de pacientes, utilice únicamente piezas Invacare. Los componentes del elevador se fabrican según las especificaciones que garantizan una correcta alineación de todas las piezas para un funcionamiento seguro.
- NO apriete excesivamente los componentes de montaje. Podría dañar el soporte de montaje.



No se necesitan herramientas para montar el elevador de pacientes.

Si tiene algún problema o preguntas durante el montaje, póngase en contacto con un representante local de Invacare. Consulte la información de contacto en la parte posterior de este manual.

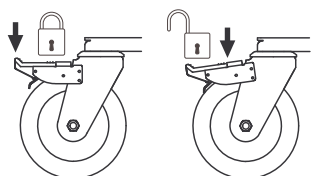
### 3.2 Montaje del mástil a la base



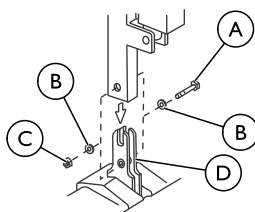
**¡ADVERTENCIA!**

- Utilice sólo partes Invacare para el montaje de esta grúa. Las patas de la base, el mástil, brazo, conjunto de la bomba y barra giratoria se han fabricado según especificaciones que garantizan la alineación correcta de todas las partes para una operación segura y adecuada.

DETALLE A



DETALLE B



(A) Perno hexagonal	(C) Tuerca
(B) Arandela	(D) Soporte de montaje



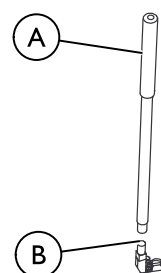
Es posible retirar el mástil de la base para fines de almacenamiento o transporte. El mástil DEBE afianzarse debidamente a la base antes de usar la unidad.

1. Coloque la base en el piso.
  - Cerciérese de que las cuatro ruedas tengan contacto con el piso.
2. Bloquee las dos ruedas traseras. Consulte el Detalle "A".
3. Retire el perno hexagonal, arandelas y tuerca situados en el calado con forma de U de la base.
4. Coloque el mástil en posición vertical.
5. Baje el mástil hacia el soporte de montaje.
6. Instale el mástil en la base mediante el perno hexagonal, arandelas y tuerca. Apriete firmemente los componentes.

### 3.3 Preparación de la grúa para su utilización

Revise y apriete todos los anclajes ANTES de usar la unidad.

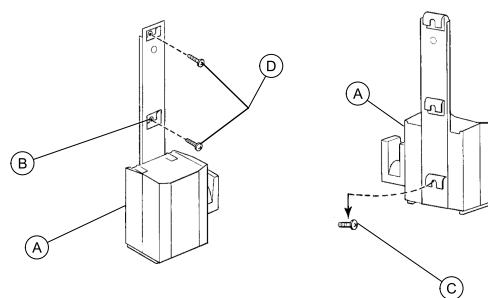
### 3.4 Instalación de la palanca de apertura



(A) Palanca de apertura	(B) Adaptador macho en la base
-------------------------	--------------------------------

1. Saque la palanca de apertura de su embalaje.
2. Alinee la rosca de la palanca de apertura con el adaptador macho de la base.



### 3.5 Instalación del cargador de pared de las baterías



Consulte las normativas locales relativas a los procedimientos correctos de montaje.

Este procedimiento solo se aplica al RPS350-1E.

1. Coloque el soporte de montaje del cargador (A) en la pared, en la posición deseada.
2. Marque con un lápiz la posición del orificio central (B).
3. Mida 6½ pulgadas (16,5 cm) hacia abajo a partir de la marca y taladre un orificio.
4. Coloque el tornillo de montaje inferior (C) de forma que haya una distancia aproximada de 1/8-inch 3 mm entre la cabeza del tornillo y la pared.

5. Coloque el soporte de montaje del cargador sobre el tornillo de montaje inferior.
  6. Taladre los otros dos orificios de montaje.
  7. Atornille a la pared los dos tornillos de montaje  a través del soporte de montaje. Apriete convenientemente.
  8. Enchufe el cargador a una toma de corriente eléctrica de pared.
-  El LED de encendido debería iluminarse.

## 4 Utilización

### 4.1 Introducción

El funcionamiento de la grúa es sencillo y seguro.

- i** Antes de utilizarla con un paciente, consulte los siguientes procedimientos para obtener información de seguridad e instrucciones:
- 2.2 Información sobre el funcionamiento, página 50
  - 5.3 Elevación del paciente, página 58

### 4.2 Apertura y cierre de las patas



#### ¡ADVERTENCIA! Riesgo de lesiones

La grúa podría voltear y poner en peligro tanto al paciente como al cuidador.

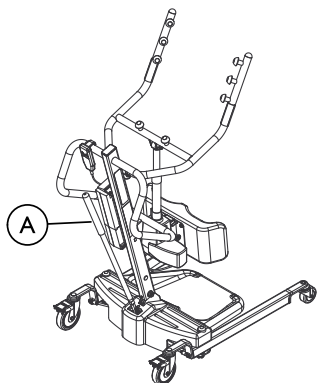
- Las patas de la grúa deben estar totalmente abiertas para una óptima estabilidad y seguridad. Si es necesario cerrar las patas de la grúa para maniobrar bajo la cama, hágalo únicamente para colocar la grúa sobre la cama y levantar al paciente sobre la superficie de la cama. Cuando las patas de la grúa no estén ya bajo la cama, vuelva a abrirlas al máximo.

#### 4.2.1 Apertura y cierre de las patas manual

La palanca de cambio se utiliza para abrir o cerrar las patas de la base con el fin de disfrutar de la máxima estabilidad al levantar al paciente.

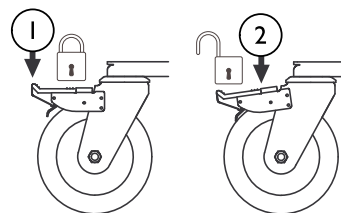
- i** Consulte la información de seguridad en 4.2 Apertura y cierre de las patas, página 54 antes de realizar este procedimiento.

Ⓐ = Palanca de apertura



1. Para cerrar las patas:  
Tire de la palanca hacia AFUERA retirándola de la grúa y luego hacia la IZQUIERDA hasta que ENCAJE en el soporte.  
**i** El lado izquierdo se determina ubicándose detrás de la grúa mirando las ruedas delanteras.
2. Para abrir las patas:  
Tire de la palanca hacia AFUERA retirándola de la grúa y luego hacia la DERECHA hasta que ENCAJE en el soporte.  
**i** El lado derecho se determina ubicándose detrás de la grúa mirando las ruedas traseras.

### 4.3 Bloqueo/desbloqueo de las ruedas traseras



1. Pise aquí para bloquear.
2. Pise aquí para desbloquear.

### 4.4 Subida/descenso de la grúa



#### ¡ADVERTENCIA! Riesgo de lesiones

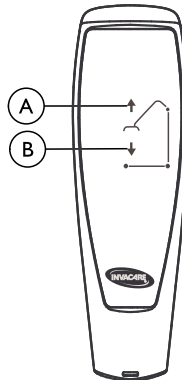
La grúa podría voltear y poner en peligro tanto al paciente como al cuidador.

- Invacare recomienda dejar las ruedas traseras sin freno durante el procedimiento de la transferencia para permitir que la grúa se estabilice al inicio de la elevación de una silla, cama o cualquier otra superficie estacionaria.

#### 4.4.1 Subida/descenso de un elevador eléctrico



Consulte la información de seguridad en Subida/descenso de la grúa antes de realizar este procedimiento.



1. Para elevar el elevador  
— Mantenga pulsado el botón ARRIBA Ⓐ para subir el brazo y levantar al paciente.
2. Para bajar el elevador  
— Mantenga pulsado el botón ABAJO Ⓑ para bajar el brazo y el paciente.

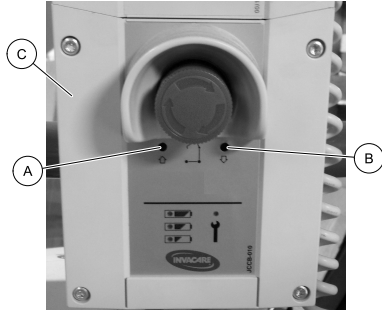


Suelte el botón para interrumpir el movimiento de subida o bajada del elevador.

## 4.5 Activación de un mecanismo de liberación de emergencia

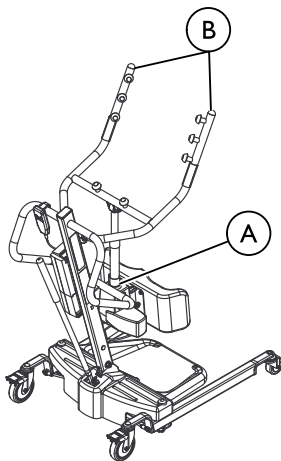
Hay dos tipos de mecanismo de liberación de emergencia: principal y secundario.

### 4.5.1 Mecanismo de liberación principal en caso de emergencia



1. Inserte un bolígrafo en el orificio marcado como Emergency Up (Subida de emergencia) **A** o Emergency Down (Baja de emergencia) **B** de la caja de control **C**.

### 4.5.2 Mecanismo de liberación auxiliar en caso de emergencia



**A** Pieza ROJA del

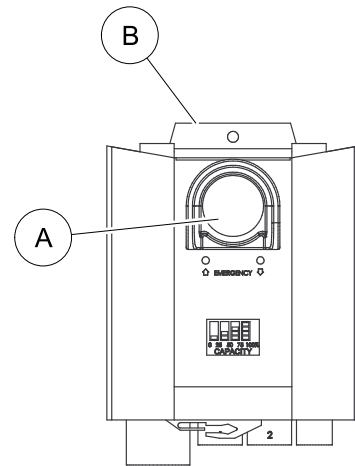
**B** Brazos de elevación

**i** Se recomienda utilizar el mecanismo de liberación principal. El mecanismo auxiliar para liberación en caso de emergencia solo es un sustituto del principal.

En los casos en que el mecanismo principal no funcione o no se tenga a mano, se puede utilizar el secundario.

1. Tire hacia arriba del mando EMERGENCY **A** y presione hacia abajo los brazos de elevación **B**, al mismo tiempo.

## 4.6 Realización de una parada de emergencia



1. Presione el botón ROJO **A** de la caja de control **B** para interrumpir el movimiento de subida o bajada del brazo, y del paciente.
2. Para desactivar la parada de emergencia, gire el botón de emergencia hacia la derecha.

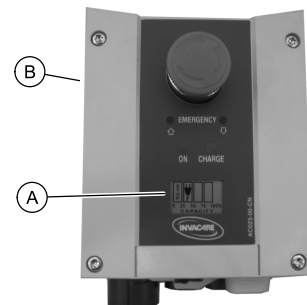
## 4.7 Carga de la batería

**i** Invacare recomienda que la batería se recargue todos los días para prolongar su vida útil.

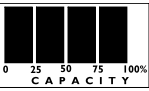
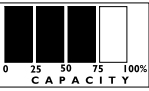
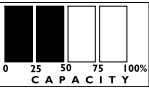
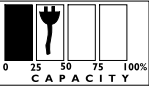
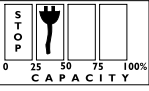
Puede utilizar dos métodos diferentes para cargar la batería. Un método utiliza un cable de alimentación que se conecta a la caja de control, mientras que el otro requiere que la batería se instale en el cargador. Siga el procedimiento adecuado para cargar la batería de la grúa de bipedestación.

### 4.7.1 Indicador de la batería

**i** Este procedimiento solo se aplica a los modelos RPS350-1FR.




El indicador de la batería **A** se encuentra en la caja de control **B**. Los LED indican el estado de la batería:

Indicador de la batería del control manual (A)	Estado de la batería	Descripción
	100% Carga completada	El estado de la batería es correcto, no es necesario cargar (100%).
	75% Carga parcial	El estado de la batería es correcto, no es necesario cargar (75%).
	50% Carga parcial	La batería debe cargarse (50%).
	25% Carga baja	La batería debe cargarse (25%). Suena un pitido cuando se pulsa un botón.
	0% Carga baja	La batería debe cargarse. Parte de la funcionalidad del elevador se ha perdido y solo se puede bajar el brazo.  Cuando la batería esté baja, se escuchará una alarma (un pitido). Si suena una alarma audible durante un traslado, complete ese traslado y después cargue la batería.

#### 4.7.2 Utilización de un cable de alimentación para cargar la batería




 Este procedimiento solo se aplica a los modelos RPS350-1FR.

(A) = Cable del cargador se conecta aquí

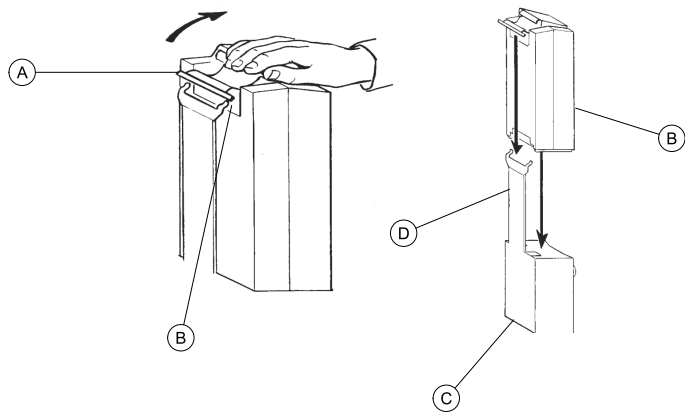


#### ¡PRECAUCIÓN!

– La parada de emergencia NO DEBE estar activada o será imposible cargar las baterías. El elevador de paciente no debe usarse mientras la batería se está cargando. NO intente mover el elevador de paciente sin antes desenchufar el cable de alimentación de la toma de pared. NO intente utilizar el elevador de paciente si la carcasa de la batería está deteriorada. Sustituya la carcasa antes de utilizar el dispositivo de nuevo.

1. Conecte el cable de alimentación a la caja de control.
2. Enchufe el cable de alimentación en una toma eléctrica.
  -  La batería tardará unas 4 horas en cargarse. La carga debe realizarse en una habitación con buena ventilación.
3. Desconecte el cable de alimentación de la toma eléctrica cuando la batería se haya cargado por completo.

#### 4.7.3 Utilización del cargador para cargar la batería



Este procedimiento solo se aplica al RPS350-1E.

1. Levante el tirador (A) situado en la parte posterior de la batería (B).
2. Levante la batería para sacarla de la caja de control (C).



#### ¡PRECAUCIÓN!

La colocación incorrecta de la batería puede causar daños o lesiones.

– Asegúrese de que se oye un "clic" al colocar la batería en el cargador de baterías, lo que indicará que el montaje es correcto.

3. Coloque la batería en el cargador (D) como se muestra. Asegúrese de que se oye un "clic".



Se encenderá el LED de carga. Cuando la carga finalice, el LED se apagará. La recarga completa de la batería tardará unas cuatro horas.

4. Levante el tirador situado en la parte posterior de la batería.
5. Levante la batería para sacarla del cargador.



#### ¡PRECAUCIÓN!

La colocación incorrecta de la batería puede causar daños o lesiones.

– Asegúrese de que se oye un "clic" al colocar la batería en la caja de control, lo que indicará que el montaje es correcto.

6. Vuelva a colocar la batería en la caja de control como se muestra. Asegúrese de que se oye un "clic".



La batería se coloca en la caja de control y en el cargado como se muestra.



## 5 Elevación del paciente

### 5.1 Elevación segura



#### ¡ADVERTENCIA!

- NO exceda el límite de peso máximo de 159 kg (SWL).
- NO realice ningún traslado de pacientes sin la aprobación del doctor, profesional de enfermería o asistente médico.
- SIEMPRE mantenga las manos y dedos lejos de las piezas móviles para evitar lesiones.
- Durante el traslado, con el paciente suspendido en la eslinga, NO deslice la base de la unidad por superficies irregulares que podrían desequilibrar la grúa.
- Siempre utilice los asideros del mástil para empujar o tirar de la grúa.



#### ¡ADVERTENCIA!

##### Elevación del paciente

- Antes de posicionar las patas de la grúa cerca del paciente, cerciórese de que los pies del individuo estén fuera del trayecto del reposapiés, ya que de lo contrario podrían producirse lesiones.
- Realice los ajustes de seguridad y comodidad pertinentes antes de mover el paciente. Los brazos del individuo deben estar fuera de las tiras de las eslingas.



#### ¡ADVERTENCIA!

##### Elevación del paciente

- Antes de levantar a un paciente desde un objeto estacionario (silla de ruedas, silla inodora o cama), elévelo levemente desde dicho objeto y compruebe que estén afianzados todos los accesorios de la eslinga. Si algún accesorio no está colocado correctamente, baje al paciente y corrija el problema, y luego vuelva a levantarlo y revisar que esté todo en orden.
- Durante el traslado, con el paciente suspendido en una eslinga conectada a la grúa, NO deslice la base con ruedas por superficies irregulares que podrían desequilibrar la grúa y provocar que vuelque. SIEMPRE utilice los asideros del mástil para empujar o tirar de la grúa de bipedestación.
- Invacare recomienda frenar las ruedas giratorias traseras ÚNICAMENTE al colocar o retirar la eslinga (de transferencia o traslado) al paciente.
- Invacare NO recomienda frenar las ruedas traseras de la grúa de bipedestación al alzar a una persona, ya que ello podría hacer que la grúa vuelque poniendo en riesgo al paciente y a sus cuidadores. Invacare SIEMPRE recomienda dejar desbloqueadas las ruedas traseras durante los procedimientos de incorporación para permitir que la grúa se establezca por ella misma al elevar al paciente desde una silla, cama o cualquier otro objeto estacionario.



#### ¡ADVERTENCIA!

##### Utilización de la eslinga

- Use la eslinga recomendada por el doctor, profesional de enfermería o asistente médico del paciente para la comodidad y seguridad del individuo que va a ser levantado.
- Los individuos que usan la eslinga de transferencia DEBEN ser capaces de soportar la mayor parte de su propio peso, de lo contrario se pueden producir lesiones.
- Las eslingas decoloradas, desgastadas, con cortes, deshilachadas o rotas son inseguras y podrían provocar lesiones o daños. Deseche INMEDIATAMENTE cualquier eslinga que no esté en buen estado.
- NO modifique las eslingas.
- Revise los accesorios de la eslinga cada vez que se retire y se coloque a fin de garantizar que está correctamente afianzada antes de retirar al paciente de un objeto estacionario (cama, silla o silla inodora).
- Si el paciente está en una silla de ruedas, accione sus frenos para prevenir que la silla se mueva hacia adelante o atrás.



#### ¡ADVERTENCIA!

##### Eslingas de transferencia

- NO use la eslinga de transferencia en conjunto con la grúa de bipedestación como un dispositivo de transporte. La grúa está diseñada para trasladar un individuo desde una superficie de reposo a otra (por ejemplo desde una cama a una silla de ruedas).
- Antes de levantar al paciente, cerciórese de que el borde inferior de la eslinga de transferencia esté situado en la región lumbar del paciente y que los brazos del mismo estén fuera de dicha eslinga.
- La correa DEBE quedar ceñida, pero cómoda en el paciente, ya que de lo contrario puede resbalarse de la eslinga durante el traslado, provocando posibles lesiones.

##### Eslingas de traslado

- Antes de levantar al paciente, cerciórese de que el borde inferior de la eslinga de traslado esté en la base de la columna vertebral del paciente y que los brazos del mismo estén fuera de dicha eslinga.
- NO levante al paciente a una posición completamente de pie mientras utilice las eslingas de traslado, ya que podrían producirse lesiones.



Encontrará mayor información en el folleto de la eslinga para pacientes.

### 5.2 Preparación para levantar al paciente



Consulte la sección Seguridad de este manual y revise la información de 5.1 *Elevación segura*, página 57 antes de proceder; siga también todas las advertencias indicadas.

Antes de situar las patas de la grúa bajo la cama, asegúrese de que no haya obstáculos.

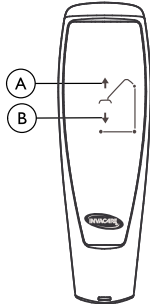


**¡ADVERTENCIA!**

**Riesgo de lesiones**

La grúa podría voltear y poner en peligro tanto al paciente como al cuidador.

- Las patas de la grúa deben estar totalmente abiertas para una óptima estabilidad y seguridad. Si es necesario cerrar las patas de la grúa para maniobrar bajo la cama, hágalo únicamente para colocar la grúa sobre la cama y levantar al paciente sobre la superficie de la cama. Cuando las patas de la grúa no estén ya bajo la cama, vuelva a abrirlas al máximo.



(A) Botón ASCENDENTE	(B) Botón DESCENDENTE
----------------------	-----------------------

1. Cerciórese de que las patas de la grúa están en su posición de apertura máxima. De no ser así, utilice la palanca de apertura para abrir las patas.
2. Posicione la grúa utilizando los asideros del mástil.
3. Pulse el botón DESCENDENTE del mando para bajar los brazos de la grúa a fin de colocar fácilmente la eslinga.

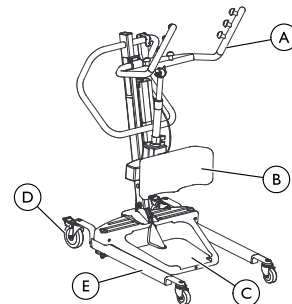
### 5.3 Elevación del paciente



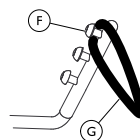
**¡ADVERTENCIA!**

- NO exceda el límite de peso máximo de 159 kg (SWL).
- Los individuos que usan la eslinga de transferencia DEBEN ser capaces de soportar la mayor parte de su propio peso, de lo contrario se pueden producir lesiones.
- NO frene las ruedas de la grúa de bipedestación cuando incorpore a una persona, ya que ello podría hacer que la grúa vuelque poniendo en riesgo al paciente y a sus cuidadores. Desbloquear las ruedas traseras durante los procedimientos de elevación permite que la grúa se estabilice al levantar inicialmente al paciente desde una silla de ruedas, cama o cualquier otro objeto estacionario.
- NO mueva el paciente si la eslinga no está debidamente afianzada a los puntos de conexión de la grúa.
- Cerciórese de que la eslinga esté debidamente afianzada ANTES de levantar al paciente. Si algún accesorio no está debidamente en su lugar, corrija el problema. Cuando la eslinga se alza unas cuantas pulgadas/centímetros respecto a la superficie estacionaria y antes de mover al paciente, vuelva a comprobar que estén en su lugar todos los accesorios de dicha eslinga. Si se detecta cualquier problema, vuelva a bajar nuevamente al paciente a la superficie estacionaria y corrija el problema, ya que de lo contrario se pueden producir daños o lesiones.
- Realice los ajustes de seguridad y comodidad pertinentes antes de mover al paciente.

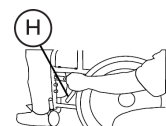
**Detail A — GRÚA DE BIPEDESTACIÓN**




**Detail B — CONEXIÓN DE LA ESLINGA**



**Detail C — FRENO DE LA RUEDA**



(A) Brazos	(E) Pata
(B) Rodillera	(F) Ganchos
(C) Reposapiés	(G) Bucle de eslinga
(D) Rueda trasera	(H) Freno de la rueda

 En el manual del propietario encontrará mayor información sobre las eslingas para pacientes.

El paciente DEBE estar inicialmente en posición sentada. Utilice el plano superior de la cama para colocar al paciente en posición de incorporación y luego haga pasar sus piernas por encima del costado de la cama.

1. Indique al paciente que sujete los asideros de los dos lados de la grúa (Detalle "A").
2. Indique al paciente que se incline hacia atrás en la eslinga de transferencia o de traslado.



**¡ADVERTENCIA!**

- Eslingas de transferencia - Antes de levantar al paciente, cerciórese de que el borde inferior de la eslinga de transferencia esté situado en la región lumbar del paciente y que los brazos del mismo estén fuera de la eslinga.
- Eslingas de traslado - Antes de levantar al paciente, cerciórese de que el borde inferior de la eslinga de traslado esté en la base de la columna vertebral del paciente y que los brazos del mismo estén fuera de la eslinga.

3. Compruebe lo siguiente:
  - a. Las rodillas del paciente estén bien aseguradas contra la rodillera.
  - b. Los pies del paciente estén posicionados debidamente en el reposapiés.
  - c. Las eslingas:
    - Eslingas de transferencia - el borde inferior de la eslinga de transferencia esté situado en la región lumbar del paciente.
    - Eslingas de traslado - el borde inferior de la eslinga de traslado esté en la base de la columna vertebral del paciente.
    - Cualquier estilo de eslinga - los brazos del paciente estén fuera de la eslinga.
    - Los bucles de la eslinga están perfectamente colocados en los ganchos de los brazos de elevación (Detalle B).
  - d. Las ruedas traseras estén desbloqueadas.
  - e. Las patas de la grúa estén en su posición de apertura máxima.



**¡ADVERTENCIA!**

- Si va a trasladar a un paciente desde una silla de ruedas, los frenos de las ruedas de la silla DEBEN estar activados antes de colocar al paciente en dicho dispositivo, ya que de lo contrario se pueden producir lesiones.

4. Si va a trasladar a un paciente desde una silla de ruedas, active los frenos de las ruedas de la silla (Detalle "B" de FIGURA 4.2).
5. Pulse el botón de flecha ASCENDENTE en el mando para levantar al paciente sobre la superficie (cama, silla de ruedas o silla inodora). La grúa es capaz de soportar completamente el peso del paciente (Detalle "C" de FIGURA 4.2).



El centro de gravedad inferior confiere estabilidad permitiendo que el paciente se sienta más seguro y que sea más fácil mover la grúa.

## 5.4 Movimiento del paciente



**¡ADVERTENCIA!**

- Las patas de la grúa de bipedestación DEBEN estar en su posición de apertura máxima para brindar estabilidad y seguridad óptimas. Si el paciente está en una eslinga y es preciso trasladarlo por un pasillo estrecho, cierre las patas de la grúa sólo lo necesario para que quepa por el pasillo. Una vez que la grúa salga del pasillo, regrese las patas a su posición de apertura máxima.
- Durante el traslado de un paciente suspendido en la eslinga, NO deslice la base con ruedas por superficies irregulares que podrían desequilibrar la grúa, ya que ello podría hacer que vuelque la unidad. Siempre use los asideros del mástil para empujar o tirar de la grúa.

1. Compruebe que las patas de la grúa estén en su posición de apertura máxima. De no ser así, pulse el botón para abrir las patas en el mando a fin de moverlas a su posición de apertura máxima.
2. Mueva la grúa lejos de la superficie desde donde se levantó al paciente.
3. Mueva lentamente al paciente a la superficie deseada.

## 6 Traslado del Paciente

### 6.1 Traslado seguro



#### ¡ADVERTENCIA!

- NO exceda el límite de peso máximo de 159 kg (SWL).
- NO intente trasladar a ningún paciente sin la aprobación del doctor, profesional de enfermería o asistente médico. Póngase en contacto con la oficina local de Invacare para obtener más información.
- NO mueva el paciente si la eslinga no está debidamente afianzada a los puntos de conexión de la grúa. Compruebe que la eslinga esté afianzada correctamente a los puntos de conexión antes de levantar al paciente. Si algún accesorio no está debidamente en su lugar, corrija el problema. Cuando la eslinga se alza unas cuantas pulgadas/centímetros respecto a la superficie estacionaria y antes de mover al paciente, vuelva a comprobar que estén en su lugar todos los accesorios de dicha eslinga. Si algún accesorio no está debidamente en su lugar, vuelva a bajar al paciente a la superficie estacionaria y corrija el problema, ya que de lo contrario se pueden producir daños o lesiones.
- Realice los ajustes de seguridad y comodidad pertinentes antes de mover el paciente. Los brazos del paciente deberían estar fuera de las correas.

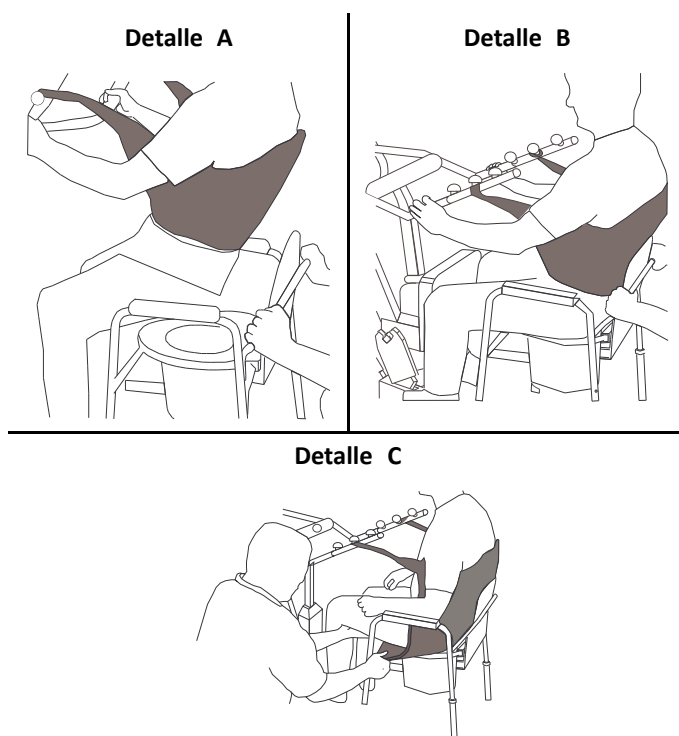


#### ¡ADVERTENCIA!

- Use la eslinga recomendada por el doctor, profesional de enfermería o asistente médico del paciente para la comodidad y seguridad del individuo que va a ser levantado.
- NO frene las ruedas de la grúa de bipedestación cuando eleve a una persona. Ya que ello podría hacer que la grúa vuelque poniendo en riesgo al paciente y a sus cuidadores.
- Las patas de la grúa de bipedestación DEBEN estar en su posición de apertura máxima para brindar estabilidad y seguridad óptimas. Si el paciente está en una eslinga y es preciso trasladarlo por un pasillo estrecho, cierre las patas de la grúa sólo lo necesario para que quepa por el pasillo. Una vez que la grúa salga del pasillo, regrese las patas a su posición de apertura máxima. Si es preciso cerrar las patas de la grúa para maniobrarlo debajo de la cama, ciérrelas sólo lo necesario para situarlo sobre el paciente y levantar a éste último de la superficie de la cama. Una vez que las patas de la grúa hayan salido de debajo de la cama, regréselas a su posición de apertura máxima.
- Cerciórese de revisar los accesorios de la eslinga cada vez que ésta se retire y vuelva a colocar a fin de garantizar que esté debidamente afianzada antes de retirar al paciente de una superficie.

La utilización de un solo asistente se basa en la evaluación que realice el facultativo de cada caso en particular.

### 6.2 Traslado a una silla inodora



#### ¡ADVERTENCIA!

- Invacare recomienda frenar las ruedas giratorias traseras sólo al colocar o retirar la eslinga del paciente.

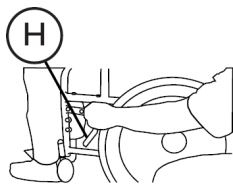
1. Levante al paciente del lado de la cama.
2. Pulse el botón ASCENDENTE en el mando para levantar al paciente lo suficiente como para quedar por encima de los brazos de la silla inodora. La grúa es capaz de soportar el peso del paciente.
3. Guíe al paciente hacia la silla inodora. Ello puede requerir la colaboración de dos asistentes.
4. Pulse el botón de flecha descendente para bajar al paciente hasta la silla inodora.
5. Frene las ruedas giratorias traseras de la grúa de bipedestación.
6. Siga uno de los siguientes procedimientos:
  - Eslinga de transferencia de los puntos - desenganche la eslinga de transferencia en los puntos de conexión de la grúa.
  - Eslinga de traslado -
    - a. Desenganche la eslinga de traslado de los puntos de conexión inferiores de la grúa.
    - b. Levante las piernas del paciente y retire los apoyos de muslos del individuo.
    - c. Si lo desea, desenganche la eslinga de traslado de los puntos de conexión superiores de la grúa.
7. Indique o ayude al paciente a levantar sus pies del reposapiés.
8. Retire la eslinga del paciente.
9. Desbloquee las ruedas traseras y aparte la grúa de la silla inodora.
10. Una vez que finalice, vuelva a revisar que todas las uniones de la eslinga estén en orden.



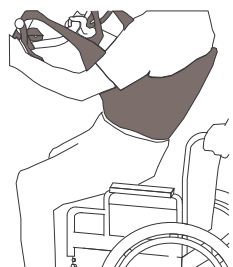
El paciente puede permanecer en la porción superior de la eslinga de traslado mientras utilice la silla inodora.

## 6.3 Traslado a una silla de ruedas

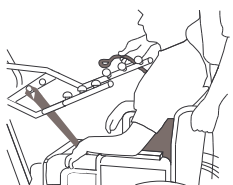
Detalle A




Detalle B



Detalle C



 **H** = Freno de la rueda

1. Compruebe que las patas de la grúa con el paciente suspendido en la eslinga estén en su posición de apertura.
2. Coloque la silla de ruedas en el lugar adecuado.
3. Accione los frenos de las ruedas de la silla de ruedas para evitar su desplazamiento (Detalle "A").



### ¡ADVERTENCIA!

– NO coloque al paciente en la silla de ruedas sin antes activar los frenos. Antes de colocar al paciente en una silla de ruedas para transportarlo, los frenos de las ruedas de la silla DEBEN estar activados, ya que de lo contrario se pueden producir lesiones.

4. Posicione al paciente por encima de la silla de ruedas (Detalle "B").

5. Pulse el botón descendente para bajar al paciente a la silla de



### ¡ADVERTENCIA!

– Frene las ruedas giratorias traseras SÓLO al colocar o retirar la eslinga (de transferencia o traslado) del paciente, ya que de lo contrario se pueden producir lesiones.

6. Frene las ruedas giratorias traseras.
7. Desenganche la eslinga de todos los puntos de conexión de la grúa.
8. Indique al paciente que levante sus pies del reposapiés. Ayúdelo si fuera necesario.
9. Retire la eslinga del paciente.
10. Desbloquee las ruedas traseras y aparte la grúa de la silla de

## 6.4 Traslado a una cama



El centro de gravedad inferior confiere estabilidad permitiendo que el paciente se sienta más seguro y que sea más fácil mover la grúa.

1. Coloque al paciente lo más centrado posible en la cama.



Si va a trasladar al paciente desde una superficie que sea más baja que la cama, pulse el botón de flecha ascendente para levantar al individuo por sobre la superficie de la cama. Debe elevar al paciente sólo lo necesario para que no toque la cama y que su peso sea sostenido totalmente por la grúa.

2. Pulse el botón de flecha descendente para bajar al paciente hasta la cama.



### ¡ADVERTENCIA!

– Invacare recomienda bloquear las ruedas giratorias traseras SÓLO al colocar o retirar la eslinga del paciente.

3. Frene las ruedas giratorias traseras.
4. Desenganche la eslinga de transferencia o traslado en todos los puntos de conexión de la grúa.
5. Indique al paciente que levante sus pies del reposapiés.




Ayúdelo si fuera necesario.

6. Retire la eslinga de transferencia o traslado del paciente.
7. Desbloquee las ruedas traseras y aparte la grúa de la cama.

## 7 Solución de problemas

### 7.1 Tabla de solución de problemas

SÍNTOMAS	ERRORES	SOLUCIÓN
Los engranajes suenan.	Necesitan lubricación.	Consulte <b>8.5 Lubricación de la grúa, página 64.</b>
El pistón eléctrico no sube cuando se pulsa el botón.	El conector del control manual o del accionamiento está suelto.	Conecte el control manual o del accionamiento. Asegúrese de que los conectores están bien encajados y conectados.
	Batería baja.	Cargue las baterías. Consulte <b>4.7 Carga de la batería, página 55.</b>
	El botón ROJO de parada de emergencia está presionado.	Gire el botón de parada de emergencia ROJO hacia la derecha hasta que deje de estar presionado.
	La batería no está correctamente conectada a la caja de control.	Vuelva a conectar la batería a la caja de control. Consulte <b>4.7 Carga de la batería, página 55.</b>
	Los terminales de conexión están dañados.	Sustituya las baterías. Consulte <b>4.7 Carga de la batería, página 55.</b>
	El pistón eléctrico necesita mantenimiento o la carga es demasiado alta.	Consulte <b>8.7 Reemplazo del pistón eléctrico, página 65.</b> Póngase en contacto con el distribuidor o representante de Invacare.
Ruido inusual en el pistón de la grúa.	El pistón está desgastado o dañado, o el eje está doblado.	Consulte <b>8.7 Reemplazo del pistón eléctrico, página 65.</b> CPóngase en contacto con el distribuidor o representante de Invacare.
Los brazos de la grúa no descienden desde la posición más alta.	Los brazos de la grúa requieren una carga mínima de peso para bajar desde la posición más alta.	Presione con las manos levemente los brazos de la grúa.
Las patas no abren ni cierran debidamente.	Es posible que haya que ajustar la base.	Consulte <b>8.6 Ajuste de la base, página 64.</b>

 Si no soluciona los problemas con los métodos sugeridos, comuníquese con su distribuidor o Invacare.

## 8 Mantenimiento

### 8.1 Lista de verificación de la inspección de seguridad



**¡ADVERTENCIA!**

- El mantenimiento solo DEBERÁ realizarlo personal cualificado.
- Si se sustituye alguna pieza, se debe recurrir a una persona con la debida competencia para que compruebe que la resistencia y la estabilidad del producto siguen siendo adecuadas para todas las actividades.
- NO ajuste excesivamente los anclajes de montaje, ya que ello dañará los soportes de montaje.



Siga los procedimientos de mantenimiento descritos en este manual para mantener la grúa en óptimas condiciones.

La grúa Invacare está diseñada para brindar máxima seguridad, eficacia y servicio satisfactorio con un cuidado y mantenimiento mínimos.

Si bien todas las partes de la grúa Invacare están fabricadas de acero de la mejor calidad, se producirá desgaste por el contacto de metal contra metal tras un uso considerable.

No es necesario realizar ajustes o mantenimiento a las ruedas, aparte de la limpieza, lubricación y revisar que los pernos giratorios y eje estén apretados. Elimine toda suciedad de las ruedas y cojinetes. Si alguna parte está desgastada, reemplácela INMEDIATAMENTE.

Si tiene alguna inquietud sobre la seguridad de alguna de las partes de la grúa, comuníquese INMEDIATAMENTE con su distribuidor.

Se le debe dar mantenimiento regular a la grúa de bipedestación y los accesorios para garantizar un funcionamiento adecuado.

Después de los primeros 12 meses de operación, revise todos los puntos de giro y sujetadores en busca de desgaste. Si hay partes metálicas deterioradas, reemplácelas INMEDIATAMENTE. Posteriormente, realice esta inspección cada seis meses.

Fecha de inspección:	Iniciales:
<b>BASE DE LAS RUEDAS</b>	
<input type="checkbox"/> Compruebe que no faltan piezas. <input type="checkbox"/> La base se abre y se cierra con facilidad. <input type="checkbox"/> Inspeccione los tornillos del eje y las ruedas para comprobar que están bien apretados. <input type="checkbox"/> Compruebe que las ruedas giran y se deslizan con suavidad. <input type="checkbox"/> Retire la suciedad de las ruedas. <input type="checkbox"/> Inspeccione los puntos de giro para comprobar que no estén desgastados.	

<b>ESLINGAS Y COMPONENTES</b>
<input type="checkbox"/> Compruebe todos los acoplamientos de la eslinga cada vez que se utilice para garantizar su correcta conexión y la seguridad del paciente. <input type="checkbox"/> Compruebe que el material de la eslinga no está desgastado. <input type="checkbox"/> Compruebe que las correas no están desgastadas. <input type="checkbox"/> Inspeccione las costuras.
<b>CONJUNTO DE PISTÓN ELÉCTRICO</b>
<input type="checkbox"/> Compruebe la posible presencia de fugas. <input type="checkbox"/> Inspeccione las piezas del mástil, el brazo y la base. <input type="checkbox"/> Compruebe si hay partes desgastadas o deterioradas. Si hay piezas deterioradas, devuelva el dispositivo a fábrica. <input type="checkbox"/> Encienda y apague el pistón eléctrico para asegurarse de que su funcionamiento es silencioso.
<b>BRAZOS Y UNIONES DE LA GRÚA</b>
<input type="checkbox"/> Revise todos los anclajes y puntos de conexión. <input type="checkbox"/> Revise en busca de dobleces o torceduras. <input type="checkbox"/> Revise si hay desgaste en las juntas apernadas de los brazos de la grúa. <input type="checkbox"/> Revise que los brazos de la grúa estén centrados entre las patas de la base. <input type="checkbox"/> Inspeccione los puntos de giro para comprobar que no estén desgastados. <input type="checkbox"/> Compruebe que los enganches de la eslinga no estén desgastados ni desviados.
<b>MÁSTIL</b>
<input type="checkbox"/> El mástil debe estar montado de forma segura en el brazo. <input type="checkbox"/> Compruebe que no esté desviado ni doblado. <input type="checkbox"/> Inspeccione los puntos de giro para comprobar que no estén desgastados.
<b>LIMPIEZA</b>
<input type="checkbox"/> Siempre que sea necesario.

### 8.2 Limpieza de la eslinga y de la grúa



**¡ADVERTENCIA!**

- Tras CADA lavado (conforme a las instrucciones de limpieza de la eslinga), inspeccione que la eslinga no presente desgaste, rasgaduras o costuras sueltas. Deseche INMEDIATAMENTE cualquier eslinga que no esté en buen estado.

#### Limpieza de la eslinga

Debe lavar la eslinga regularmente en agua cuya temperatura no exceda 203°F (95°C), con un producto de limpieza biológico. Consulte las instrucciones de lavado en el manual del usuario de la eslinga.

#### Limpieza y desinfección del elevador

Para prevenir infección cruzada, la grúa debe limpiarse y desinfectarse después de cada uso.

Todo lo que necesita para limpiar la grúa de bipedestación es un paño suave, humedecido con agua y una pequeña cantidad de detergente suave. Es posible lavar la grúa con limpiadores no abrasivos.

Nunca utilice ácidos, alcalinos ni disolventes para limpiar el elevador. Seque cuidadosamente el elevador después de la limpieza.

Los motores, la unidad de control y otros componentes pueden sufrir daños si el elevador no se limpia de la forma establecida anteriormente.

El elevador debe limpiarse con un paño húmedo bien escurrido con desinfectantes domésticos comunes. Utilice únicamente detergentes desinfectantes aprobados por el centro.

### 8.3 Reutilización

El producto se puede reutilizar. El número máximo de veces que puede ser reutilizado depende del estado del producto. Para evitar la transmisión de infecciones, la grúa y las eslingas deben limpiarse después de cada uso. Antes de reutilizar o reacondicionar la grúa, consulte 8.2 *Limpieza de la eslinga y de la grúa*, página 63.

### 8.4 Detección de desgaste y daños

Es importante inspeccionar todos los componentes clave, tales como eslingas, brazo de elevación y cualquier punto giratorio de las eslingas en busca de fisuras, deshilachamiento, deformación o deterioro. Reemplace INMEDIATAMENTE cualquier parte defectuosa y cerciórese de no utilizar la grúa sin antes efectuar las reparaciones.

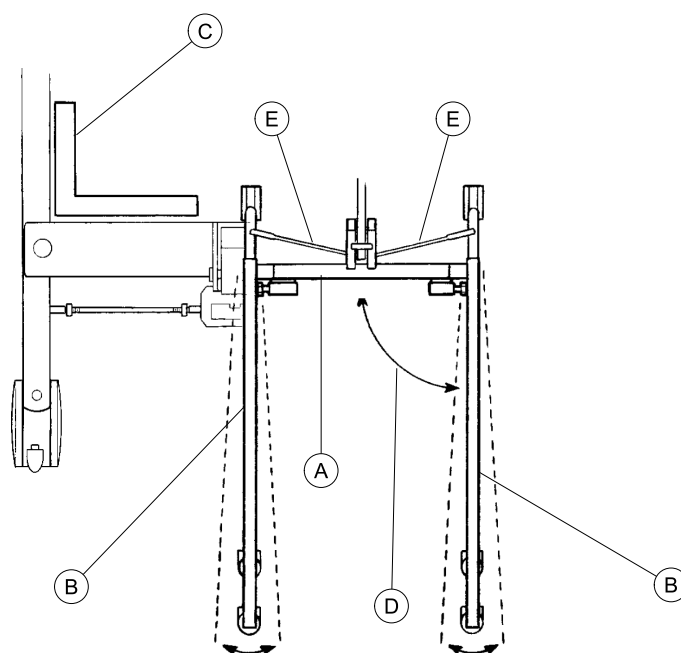
### 8.5 Lubricación de la grúa

Las ruedas DEBEN girar y rodar suavemente. Se puede aplicar grasa liviana (lubricante de automóvil impermeable) una vez al año a los cojinetes de las ruedas. Aplique de forma más frecuente si las ruedas están expuestas a condiciones extremas de humedad.

Mantenga las eslingas limpias y en buen estado. Debe indicar a su distribuidor cualquier defecto que detecte tan pronto como sea posible.

La grúa Invacare está diseñada para necesitar un mantenimiento mínimo. Sin embargo, la unidad debe inspeccionarse y lubricarse cada seis meses para garantizar un funcionamiento seguro y confiable prolongado.

## 8.6 Ajuste de la base



A la hora de ajustar la base (A) solo hay que prestar atención al ajuste de las varillas de acoplamiento.

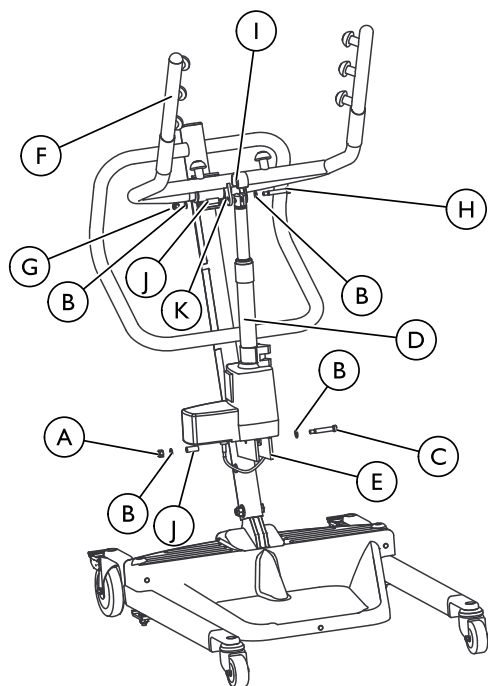
**!** El elevador podría sufrir daños.  
– El accionamiento de las patas debe estar totalmente cerrado antes de ajustar las varillas de acoplamiento.

1. Cierre totalmente las patas. Consulte 4.2.1 *Apertura y cierre de las patas manual*, página 54.
2. Compruebe que las patas están cuadradas (B) cuando están cerradas.
3. Coloque una escuadra (C) en el interior de las patas y la base para determinar la alineación de 90° (D).
4. Ajuste las varillas de acoplamiento (E) hasta obtener la alineación de 90°.

**!** El elevador podría sufrir daños.  
– NO ajuste las varillas de acoplamiento de forma que las patas tengan una alineación inferior a 90°.



### 8.7 Reemplazo del pistón eléctrico



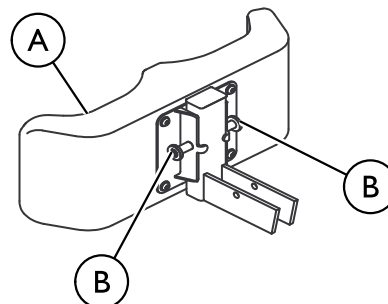
Ⓐ Tuerca inferior	Ⓒ Tuerca superior
Ⓑ Arandela	Ⓓ Perno
Ⓒ Perno	Ⓛ Soporte
Ⓓ Pistón eléctrico	Ⓜ Buje
Ⓨ Soporte de montaje del mástil	Ⓩ Soporte de montaje del brazo de elevación
Ⓕ Brazo de elevación	

**⚠ ¡ADVERTENCIA!**  
 – NO apriete excesivamente los anclajes de montaje, ya que ello dañará los soportes de montaje.

1. Retire el perno inferior, arandela y perno de tope que sujetan el pistón eléctrico al soporte de montaje del mástil.
2. Apoye el brazo de la grúa en su hombro y retire la tuerca superior, perno, soporte y buje (si procede) del soporte de montaje del brazo de la grúa.

3. Retire el pistón eléctrico.
4. Invierta los PASOS 1 al 3 para instalar el nuevo pistón eléctrico.

### 8.8 Ajuste de la altura de la rodillera



Ⓐ Rodillera	Ⓑ Pasador de ajuste
-------------	---------------------

**⚠ ¡ADVERTENCIA!**  
 – NUNCA ajuste el soporte de rodillas mientras el paciente esté en la posición de pie.  
 – NUNCA intente ajustar el soporte de rodillas mientras la grúa esté moviéndose.  
 – SIEMPRE compruebe que los pasadores de ajuste estén colocados en los orificios adecuados de regulación de altura antes de usar la unidad.


1. Elija un ajuste de altura que sea cómodo para el paciente y que suministre el apoyo necesario.  
 ⓘ Soporte de rodillas debe colocarse de manera que la porción de la rodilla de la pierna contacte la almohadilla.
2. Utilice ambas manos para retirar los pasadores de ajuste al mismo tiempo.
3. Coloque soporte de rodillas a la altura deseada y los pasadores de ajuste de liberación en los orificios de alineación correspondientes.
4. Compruebe que ambos pasadores estén enganchados.

## 9 Datos Técnicos

### 9.1 Elevador de paciente con soporte para ponerse de pie RSP350-1E y RPS350-1FR

Altura en enganche de eslinga - MÁX.	168 cm
Altura en enganche de eslinga - MIN.	102 cm
Ancho de base ABIERTA	94 cm
Ancho de base CERRADA	66 cm
Altura de base (espaciado)	11,5 cm
Largo de base	90 cm
Altura general	125 cm
Largo general	99 cm
Ancho general	65,5 cm
Tamaño de ruedas (DELANTERAS/TRASERAS)	8 cm / 13 cm
Opciones de eslinga	De pie o traslado
Material de eslinga	Poliéster
Capacidad de elevación máxima (SWL) (paciente + eslinga)	159 kg
Peso total (fuera de la caja)	49 kg
Batería (voltaje de salida)	24V DC máx.. 240VA (RCHBL)
Entrada del cargador (suministro de voltaje)	100-240V AC ~ 50/60 Hz
Rendimiento del cargador/tiempo de carga	29.5V DC Max 6 horas
Alarma de batería baja audio/visual	Sí
Dispositivos de seguridad del motor	Antiatrapamiento

*Elevaciones por carga aprox. (capacidad operativa)	*100-200 ciclos por carga
Entrada de corriente máx.	Máx. 400 mA
Temperatura de operación:	5° a 40° C
Humedad atmosférica	20% a 90% @ 30 sin condensación
Presión sonora	< 50 dB
Presión atmosférica	700 a 1060 hPa
Temperatura de almacenamiento	superior a 0°C
Humedad del aire de almacenamiento	inferior al 60%
Presión atmosférica de almacenamiento	De 700 hPa a 1060 hPa
Grado de protección, unidad de control	IPX4
Grado de protección, mando	IPX4
Grado de protección, motor	IPX4
Clase de aislamiento	Aislamiento doble, Pieza aplicada de Tipo B
Intermitentes	10%, máx, 2 minutos/18 minutos
Capacidad de batería	2,9 Ah
Descenso de emergencia manual	Sí
Elevación/descenso de emergencia eléctrico	Sí/Sí
Vida útil prevista	8 años
Velocidad de elevación	El elevador cumple con la "velocidad de elevación y descenso" establecida en la norma ENISO10535 (<0,15 m/s con carga máxima y <0,25 m/s sin carga)

 \* Varía dependiendo de la carga y utilización.

# Sisällysluettelo

Tämä opas on annettava loppukäyttäjälle. Lue tämä opas ENNEN tuotteen käyttöä. Säilytä opas myöhempää tarvetta varten.

<b>1 Yleistä</b>	<b>68</b>
1.1 Johdanto	68
1.2 Symbolit	68
1.3 Käyttötarkoitus	68
1.3.1 Vasta-aiheet	69
1.4 Toimitukseen sisältyvät osat	69
1.5 Käyttöikä	69
1.5.1 Lisätietoja	69
1.6 Takuutiedot	69
1.7 Vaatimustenmukaisuus	69
1.7.1 Tuotekohtaiset standardit	69
<b>2 Turvallisuus</b>	<b>70</b>
2.1 Yleiset ohjeet	70
2.2 Tiedot käytöstä	70
2.2.1 Yleistä	70
2.2.2 Asettaminen	70
2.2.3 Hävittäminen	71
2.3 Radiotaajuushäiriö	71
2.4 Tuotekilven merkinnät	71
<b>3 Käyttöönotto</b>	<b>72</b>
3.1 Turvallinen kokoonpano	72
3.2 Maston asentaminen jalustaan	72
3.3 Nostimen valmistelu käyttöä varten	72
3.4 Siirtokahvan asentaminen	72
3.5 Akkulaturin kiinnikkeen kiinnittäminen seinään	72
<b>4 Käyttö</b>	<b>73</b>
4.1 Johdanto	73
4.2 Jalasten kaventaminen/levittäminen	73
4.2.1 Manuaalisten jalasten kiinnivettäminen/levittäminen	73
4.3 Takapyörrien lukitseminen / lukituksen avaaminen	73
4.4 Nostimen nostaminen/laskeminen	73
4.4.1 Sähköisen nostimen nostaminen/laskeminen	73
4.5 Mekaanisen hätälaukaisimen aktivointi	74
4.5.1 Ensisijainen hätälaukaisin	74
4.5.2 Toissijainen hätälaukaisin	74
4.6 Hätäpysäytyksen tekeminen	74
4.7 Akun lataaminen	74
4.7.1 Akun merkkivalo	74
4.7.2 Akun lataaminen virtajohdolla	75
4.7.3 Akun lataaminen akkulaturilla	75
<b>5 Potilaan nostaminen</b>	<b>76</b>
5.1 Turvallinen nostaminen	76
5.2 Seisontatukinostimen sijoittaminen käyttöä varten	77
5.3 Potilaan nostaminen	77
5.4 Potilaan siirtäminen	78
<b>6 Potilaan siirtäminen</b>	<b>79</b>
6.1 Turvallinen siirto	79
6.2 Siirtäminen suihkutuoliin	79
6.3 Siirtäminen pyörätuoliin	80
6.4 Siirtäminen vuoteeseen	80
<b>7 Vianmääritys</b>	<b>81</b>
7.1 Vianmääritystaulukko	81
<b>8 Huolto</b>	<b>82</b>
8.1 Huolto ja turvallisuustarkastus: tarkastuslista	82
8.2 Nostoliinan ja nostimen puhdistaminen	82
8.3 Uudelleenkäyttö	83
8.4 Kulumien ja vaurioiden havaitseminen	83
8.5 Nostimen voitelu	83
8.6 Alustan säätäminen	83
8.7 Sähköisen toimilaitteen vaihtaminen	83
8.8 Polvituen korkeuden säätäminen	84
<b>9 Tekniset Tiedot</b>	<b>85</b>
9.1 Potilasseisontatukinostimet RPS3501E ja RPS3501FR	85

# 1 Yleistä

## 1.1 Johdanto

Tämä käyttöopas sisältää tuotteen käsittelyä koskevia tärkeitä tietoja. Lue käyttöopas huolellisesti läpi ja noudata turvallisuusohjeita, jotta tuotteen käyttö olisi turvallista.

Huomaa, että osa käyttöoppaan sisällöstä ei välttämättä koske ostamaasi tuotetta, sillä opas käsittelee kaikkia (oppaan painamisajankohtana) saatavilla olevia malleja. Tämän oppaan jokainen osio koskee kaikkia tuotteen malleja, ellei toisin mainita.

Maassasi saatavilla olevat mallit ja kokoonpanot voi katsoa maakohtaisista hintaluetteloista.

Invacare varaa oikeuden muuttaa tuotteiden teknisiä tietoja ilman erillistä ilmoitusta.

Varmista ennen oppaan lukemista, että käytössäsi on oppaan viimeisin versio. Viimeisin versio on saatavilla PDF-tiedostona Invacaren verkkosivuilta.

Jos painettu käyttöopas on kirjasinkoon vuoksi vaikealukuinen, voit ladata verkkosivustosta PDF-version. PDF-tiedoston voi suurentaa näytössä helpommin luettavaan kokoon.

Jos tarvitset lisätietoja tuotteesta, esimerkiksi tuoteturvallisuusilmoituksista ja tuotteiden vetämisestä markkinoilta, ota yhteyttä Invacare-edustajaan. Osoitteet ovat tämän asiakirjan lopussa.

## 1.2 Symbolit

Tässä oppaassa käytetään signaalisanoja, jotka viittaavat vaaroihin tai turvattomiin käytäntöihin, jotka saattavat aiheuttaa henkilö- tai omaisuusvahinkoja. Katso alta lisätietoja signaalisanojen määritelmistä.



### VAROITUS!

– Varoitus osoittaa mahdollisesti vaarallista tilannetta. Jos sitä ei vältetä, se saattaa aiheuttaa kuoleman tai vakavan vamman.



### HUOMIO!

– Huomio osoittaa mahdollisesti vaarallista tilannetta. Jos sitä ei vältetä, se saattaa aiheuttaa omaisuusvahingon tai vähäisen vamman tai molemmat.



### TÄRKEÄÄ

– Osoittaa mahdollisesti vaarallisen tilanteen. Jos sitä ei vältetä, se saattaa aiheuttaa omaisuusvahingon.



Antaa hyödyllisiä vinkkejä, suosituksia ja tietoa tehokkaasta ja ongelmattomasta käytöstä.



Valmistuspäivä.



Tämä tuote täyttää lääkintälaitteita koskevan direktiivin 93/42/ETY vaatimukset.

Tämän tuotteen julkaisupäivämäärä on mainittu CE-vaatimustenmukaisuusvakuutuksessa.



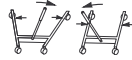
Katso oppaasta



Merkkiääni, kun akun varaustaso on alhainen. Katso 4.7 Akun lataaminen, sivu 74.



Pyörän lukitus.



Levitä/kavenna jalakset.



Nosta/laske nostovarsia



Hätäjarru



Turvallinen työskentelykuorma



Kaksoiseristetty, luokan II laite



Tyypin B sovellettu osa



Kierrätä tämä tuote. Katso 2.2.3 Hävittäminen, sivu 71.

## 1.3 Käyttötarkoitus



### VAROITUS!

#### Kaatumisvaara

Invacaren seisontatukinostin EI ole kuljetuslaite. Se on tarkoitettu siirtämään henkilö yhdestä istumapaikasta toiseen (kuten sängystä pyörätuoliin).

Invacaren nostoliinat ja potilasnostimen lisävarusteet on suunniteltu käytettäväksi erityisesti Invacaren potilasnostinten kanssa. Vamman tai putoamisen välttäminen:

- Potilaiden, joita siirretään ja asetetaan seisontatukinostimen avulla, ON OLTAVA yhteistyöhaluisia, tajuissaan ja heidän on pystyttävä kannattelemaan päätään ja niskaansa. Muussa tapauksessa seurauksena voi olla loukkaantuminen.
- Potilaiden, joita siirretään ja asetetaan seisontatukinostoliinan avulla, ON PYSTYTTÄVÄ kannattelemaan suurinta osaa painostaan. Muussa tapauksessa seurauksena voi olla vamma tai vaurio. Lue lisätietoa nostoliinan käyttöoppaasta.

Seisontatukinostimet ovat akkukäyttöisiä siirtolaitteita, jotka on tarkoitettu käytettäväksi yleisimmissä nostotilanteissa, esimerkiksi seuraavissa siirtämistapauksissa:

- vuoteen ja pyörätuolin välillä
- WC:tä käytettäessä

Seisontatukinostin on tarkoitettu ainoastaan teknisissä tiedoissa ilmoitettua enimmäispainoa kevyempien potilaiden siirtämiseen.

Tuote on tarkoitettu vain sisäkäyttöön.

Asianmukaisten nostoliinoiden ja lisävarusteiden valinta jokaista henkilöä varten on tärkeää turvallisuuden

takaamiseksi potilasnostinta käytettäessä. Katso Invacaren nostoliinon ja lisävarusteiden käyttöoppaista lisätietoa kyseisistä laitteista.

Invacare suosittelee, että potilas siirretään suihkutuoliin tai muihin kylpylaitteisiin.

Seisontatukinostinta voidaan kääntää (kiertää) paikassa, jossa siirtämiseen on vähän tilaa.

### 1.3.1 Vasta-aiheet

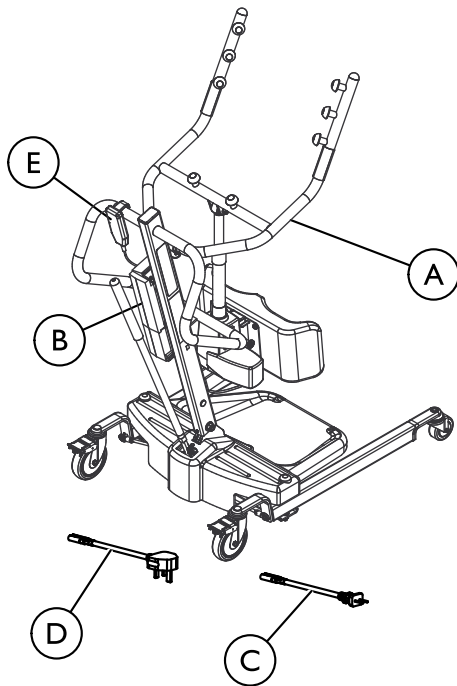
Seisontatukipotilasnostin on vasta-aiheinen potilaille, jotka

- eivät ole yhteistyöhaluisia
- eivät ole tajuissaan
- eivät pysty kannattelemaan päätään ja niskaansa.

Jotkin seisontatukipotilasnostimelle suunnitellut nostoliinat ovat vasta-aiheisia potilailla, jotka eivät pysty kannattelemaan suurinta osaa painostaan. Lue lisätietoa nostoliinan käyttöoppaasta.

## 1.4 Toimitukseen sisältyvät osat

Taulukoissa luetellut esineet kuuluvat pakkaukseesi. Nostoliinat myydään erikseen. Seinälaturi voidaan myydä erikseen.



Kohta	Kuvaus	Määrä
A	Nostin	1
B	Akku	1

C	Latausjohto, EU	1
D	Latausjohto, UK (vain malli RPS350-1E)	1
E	Käsiohjain	1
F	Nostimen käyttöopas (ei näytetä)	1

## 1.5 Käyttöikä

Tämän tuotteen odotettavissa oleva käyttöikä on kahdeksan vuotta, kun sitä käytetään päivittäin ja tässä oppaassa mainittujen turvaohjeiden, huoltovälien ja käyttöohjeiden mukaisesti. Tehokas käyttöikä voi vaihdella sen mukaan, miten usein ja voimakkaasti tuotetta käytetään.

### 1.5.1 Lisätietoja

Odotettu käyttöikä perustuu keskimääräiseen arvioon neljästä nostokierroksesta päivässä.

## 1.6 Takuutiedot

Annamme valmistajan takuun tuotteelle yleisten liiketoimintaehtojemme mukaisesti vastaavissa maissa.

Takuuvaatimuksia voi tehdä vain sen myyjän kautta, jolta tuote ostettiin.

## 1.7 Vaatimustenmukaisuus

Yhtiömme toiminnalle keskeistä on laatu, ja yhtiö noudattaa ISO 13485 -standardin vaatimuksia.

Tässä tuotteessa on CE-merkki lääkintälaitteita koskevan direktiivin 93/42/EEC luokan 1 vaatimusten mukaisesti.

Pyrimme jatkuvasti varmistamaan, että yrityksen ympäristövaikutus on sekä paikallisesti että maailmanlaajuisesti mahdollisimman vähäinen.

Käytämme vain REACH-järjestelmän mukaisia materiaaleja ja osia.

Noudatamme nykyisen ympäristölainsäädännön WEEE- ja RoHS-direktiivejä.

### 1.7.1 Tuotekohtaiset standardit

Tuote on testattu, ja se täyttää standardin ISO 10535 (Hoists for the transfer of disabled persons) ja kaikkien siihen liittyvien standardien vaatimukset.

Lisätietoa paikallisista standardeista ja säädöksistä saat ottamalla yhteyttä paikalliseen Invacaren edustajaan. Osoitteet ovat tämän asiakirjan lopussa.

## 2 Turvallisuus

### 2.1 Yleiset ohjeet



#### VAROITUS!

– ÄLÄ käytä tätä tuotetta tai siihen saatavilla olevia lisävarusteita, ennen kuin olet lukenut kokonaan ja sisäistänyt nämä ohjeet ja mahdolliset lisäohjeet, kuten käyttöoppaat, huolto-oppaat ja ohjelehtiset, jotka on toimitettu tämän tuotteen tai lisävarusteen mukana. Jos et ymmärrä varoituksia, huomautuksia tai ohjeita, ota yhteyttä terveydenhoitoalan ammattilaiseen, jälleenmyyjään tai tekniseen henkilöstöön ennen laitteen käyttämistä. Muuten saattaa aiheutua vaurioita tai vahinkoja.

#### LISÄVARUSTEVAROITUS

Invacare-tuotteet on suunniteltu ja valmistettu käytettäväksi erityisesti Invacare-lisävarusteiden kanssa.

Invacare ei ole testannut muiden valmistajien lisävarusteita eikä niitä suositella käytettäväksi Invacare-tuotteiden kanssa. Tietyissä tapauksissa muiden valmistajien nostoliinon käyttö saattaa olla mahdollista.

– Lisätietoja lisävarusteista saat paikallisesta Invacaren toimipisteestä.



#### HUOMAUTUS

– Tämän asiakirjan tiedot voivat muuttua ilman huomautusta.

Tarkista kaikki osat kuljetusvahinkojen varalta ennen käyttöä. ÄLÄ käytä vaurioitunutta laitetta. Kysy lisätietoja jälleenmyyjältä tai Invacaren edustajalta.

### 2.2 Tiedot käytöstä

Tässä oppaan osassa on yleisiä turvallisuustietoja tuotteesta. Katso erityiset turvallisuustiedot oppaan vastaavasta osiosta ja kyseisen osion toimenpiteistä. Esimerkiksi nostimeen kokoamiseen liittyvät turvallisuusohjeet ovat osiossa 3 *Käyttöönotto, sivu 72*.

### 2.2.1 Yleistä



#### VAROITUS!

##### Kaatumisvaara

ÄLÄ yritä siirtää potilasta ilman potilaan lääkärin, sairaanhoitajan tai lääketieteellisen avustajan lupaa. Lue huolellisesti tämän käyttöoppaan ohjeet ja tarkkaile, miten koulutetut asiantuntijat nostavat potilasta. Harjoittele sitten nostamista useamman kerran alusta loppuun asti asianmukaisessa valvonnassa ja liikuntaesteettömän henkilön esittäessä potilasta.

– Käytä tervettä järkeä kaikissa nostoissa.

Noudata EHDOTTOMASTI erityistä varovaisuutta sellaisten liikuntakyvyttömiä henkilöiden kanssa, jotka eivät pysty auttamaan nostossa.

– Työnnä tai vedä potilasnostinta aina maston ohjaukskahvasta.

– Muista tarkistaa nostoliinan kiinnitykset sen poiston ja vaihtamisen yhteydessä. Näin varmistat nostoliinan kunnollisen kiinnityksen, kun potilas siirretään paikallaan olevasta kohteesta (sänky, tuoli tai suihkutuoli).



#### VAROITUS!

##### Vamman tai vaurion vaara

Nostin saattaa olla epävakaata joillakin pinnoilla, mikä voi aiheuttaa vahingon tai vamman. Nostinta voidaan käyttää suihkussa tai kylvyn alueella, mutta ylimääräinen kosteus vahingoittaa nostinta ja saattaa aiheuttaa vamman.

– Vältä nostimen käyttöä kaltevalla pinnalla. Invacare suosittelee, että nostinta käytetään ainoastaan tasaisella pinnalla.

– ÄLÄ rullaa pyörälustaa epätasaisten pintojen yli, sillä tämä saattaa aiheuttaa potilasnostimen kaatumisen.

– ÄLÄ käytä potilasnostinta suihkussa tai kylvyssä tai muissa pitkään kosteissa tiloissa.

– Varmista, että potilasnostin puhdistetaan kosteudesta käytön jälkeen.

– ÄLÄ säilytä nostinta kosteassa paikassa tai kosteana. Katso säilytyslämpötila, kosteus- ja painealueet, jotka on lueteltu kohdassa 7.1 *Vianmääritystaulukko, sivu 81*.

– Tarkista säännöllisesti, ettei potilasnostimen osissa ole merkkejä korroosiosta. Vaihda kaikki syöpyneet tai vahingoittuneet osat.

### 2.2.2 Asettaminen

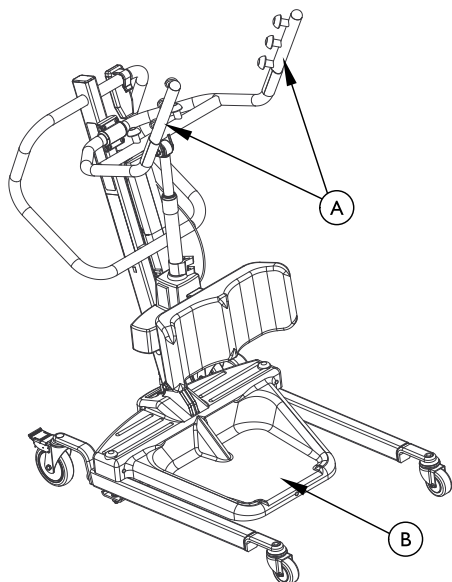


#### VAROITUS!

##### Loukkaantumisvaara

– Ota AINA nostovarret huomioon. Saattaa aiheuttaa vamman potilaalle ja/tai avustajalle.

– Ota AINA jalkanoja huomioon ja huomioi erityisesti potilaan asento jalkanojalla. Saattaa aiheuttaa vamman potilaalle ja/tai avustajalle.



- i (A) = Nostovarret  
(B) = Jalkalevy

### 2.2.3 Hävittäminen



#### VAROITUS!

#### Ympäristövaara

Tämän tuotteen toimittaa ympäristön huomioon ottava valmistaja, joka noudattaa toiminnassaan sähkö- ja elektroniikkaromua koskevaa WEEE-direktiiviä 2012/19/EU.

Laitteessa on lyijyakut.

Tämä tuote saattaa sisältää aineita, jotka voivat vahingoittaa ympäristöä, jos ne hävitetään paikoissa (kaatopaikoilla), jotka eivät ole lainsäädännön mukaan asianmukaisia.

- ÄLÄ hävitä akkuja tavallisen kotitalousjätteen mukana. Ne on EHDOTTOMASTI vietävä asianmukaiseen jätteen hävityspaikkaan. Kysy tarkempia tietoja paikalliselta jätehuoltolaitoksesta.
- Suojele ympäristöä ja vie tuote käytön jälkeen paikalliseen kierrätyspisteeseen.

### 2.3 Radiotaajuushäiriö



#### VAROITUS!

#### Vamman tai vaurion vaara

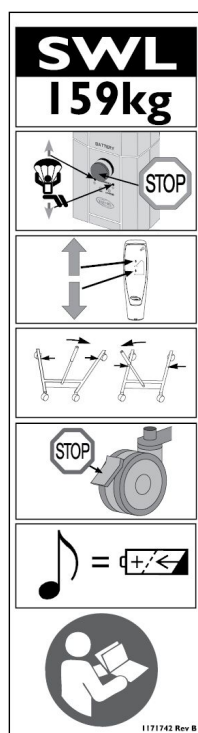
Radiotaajuushäiriö (RFI) voi vaikuttaa useimpiin sähkölaitteisiin.

Vältä vammat ja vauriot noudattamalla VAROVAISUUTTA, kun käytät kannettavia viestintälaitteita tällaisessa ympäristössä.

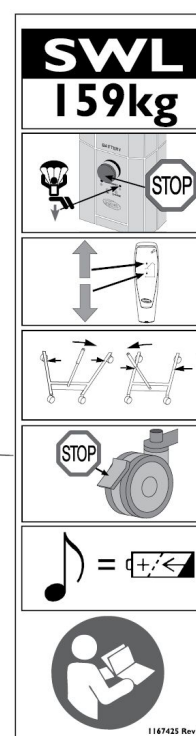
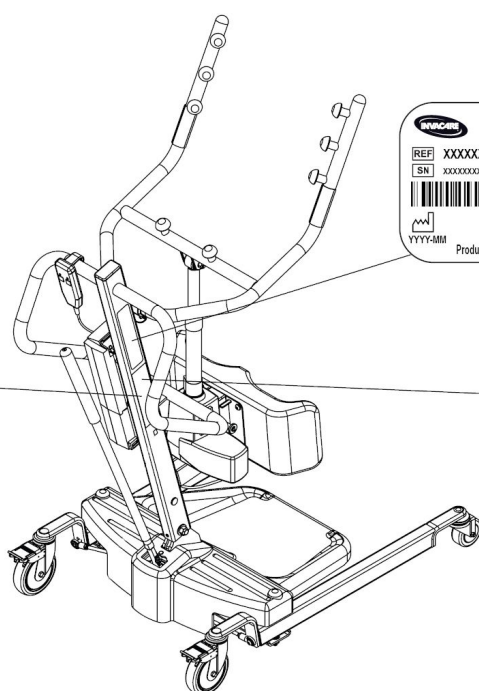
Jos radiotaajuushäiriö häiritsee laitteen toimintaa, toimi seuraavasti:

- PAINA punainen virtakytkin VÄLITTÖMÄSTI OFF-asentoon (pois päältä).
- ÄLÄ käänä virtakytkintä ON-asentoon (päälle) lähetyksen aikana.

### 2.4 Tuotekilven merkinnät



RPS350-IFR



RPS350-IE

## 3 Käyttöönotto

### 3.1 Turvallinen kokoonpano



#### VAROITUS!

#### Loukkaantumisvaara

Väärä kokoonpano voi aiheuttaa vamman tai vahingon.

- VAIN pätevä henkilöstö saa suorittaa kokoonpanon.
- Käytä vain Invacaren osia tämän potilasnostimen kokoonpanossa. Nostimen komponentit on valmistettu kaikkien osien asianmukaisen kohdistamisen ja turvallisen toiminnan takaavien teknisten ominaisuuksien mukaisesti.
- ÄLÄ kiristä kokoonpanolaitteistoa liikaa. Se vaurioittaa kiinnikettä.



Potilasnostimen kokoonpanossa ei tarvita työkaluja.

Jos kokoonpanon aikana ilmenee ongelmia tai kysymyksiä, ota yhteyttä paikalliseen Invacaren edustajaan. Katso yhteystiedot tämän oppaan takaa.

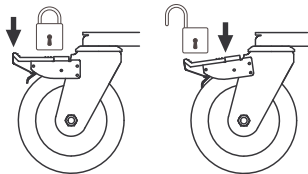
### 3.2 Maston asentaminen jalustaan



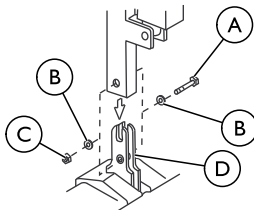
#### VAROITUS!

– Käytä vain Invacaren osia tämän potilasnostimen kokoonpanossa. Pohjan jalakset, masto, puomi, pumpun kokoonpano ja kääntövarsi on valmistettu kaikkien osien asianmukaisen kohdistamisen ja turvallisen toiminnan takaavien teknisten ominaisuuksien mukaisesti.

#### YKSITYISKOHTA A



#### YKSITYISKOHTA B



(A) Kuusiokolopultti	(C) Mutteri
(B) Aluslevy	(D) Kiinnike



Maston kokoonpano voidaan irrottaa jalustasta säilytystä tai kuljetusta varten. Maston kokoonpano on EHDOTTOMASTI kiinnitettävä kunnolla jalustakokoonpanoon ennen käyttöä.

1. Laita jalustin lattialle.



Varmista, että kaikki neljä pyörää osuvat lattiaan.

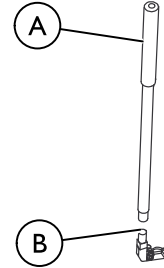
2. Lukitse molemmat takapyörät, katso yksityiskohta A.

3. Irrota kuusiokolopultti, aluslevyt ja mutteri, jotka sijaitsevat jalustan U-muotoisessa aukossa, katso yksityiskohta B.
4. Nosta masto pystyasentoon.
5. Laske masto kiinnikkeen päälle.
6. Kiinnitä masto jalustaan kuusiokolopultilla, alustalla ja mutterilla. Kiristä tiukasti.

### 3.3 Nostimen valmistelu käyttöä varten

Tarkista ja kiristä kaikki kiinnittimet ENNEN käyttöä.

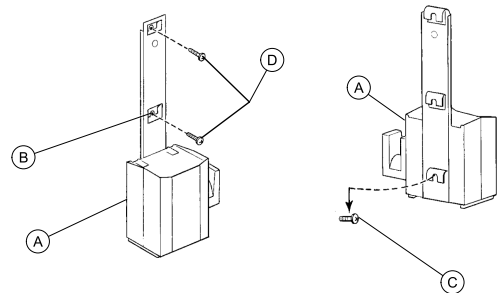
### 3.4 Siirtokahvan asentaminen



(A) Vaihtokahva	(B) Pohjan urossovitin
-----------------	------------------------

1. Irrota siirtokahva pakkauspahvista.
2. Kierrä vaihtokahva pohjan urossovittimeen.

### 3.5 Akkulaturin kiinnikkeen kiinnittäminen seinään



Katso asianmukaisia asennusmenettelyjä koskevat paikalliset säännökset.

Tämä toimenpide pätee vain RPS350–1E-malleihin.

1. Aseta akkulaturi yhdessä kiinnikkeen (A) kanssa seinään haluttuun asentoon.
2. Merkitse kynällä keskireiän (B) paikka.
3. Mittaa alaspäin 16,5 cm (6,5 tuumaa) kynän merkistä ja poraa yksi kiinnitysreikä.
4. Asenna alempi asennusruuvi (C), kunnes ruuvien pään ja seinän välissä on noin 3 mm:n (1/8 tuumaa) väli.
5. Aseta akkulaturi yhdessä kiinnikkeen kanssa asennusruuvien pohjaan.
6. Poraa jäljellä olevat kaksi asennusreikää.
7. Aseta kaksi jäljellä olevaa asennusruuvia (D) kiinnikkeen läpi seinään. Kiristä tiukasti.
8. Kiinnitä akkulaturi seinäpistokkeeseen.



Virran LED-merkkivalo syttyy.



## 4 Käyttö

### 4.1 Johdanto

Potilasnostimen käyttö on helppoa ja turvallista.

**i** Katso turvallisuustiedot ja -ohjeet seuraavista menettelyistä ennen nostimen käyttöä potilaan kanssa:

- 2.2 Tiedot käytöstä, sivu 70
- 5.3 Potilaan nostaminen, sivu 77

### 4.2 Jalasten kaventaminen/levittäminen



#### VAROITUS!

#### Loukkaantumisvaara

Nostin voi kaatua ja vaarantaa potilaan ja avustajat.

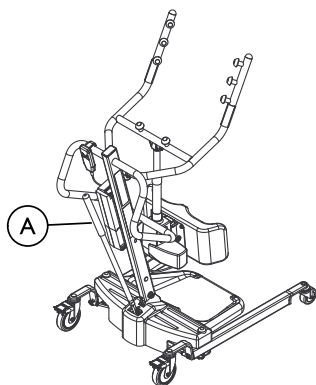
- Nostimen jalasten on oltava kokonaan auki, jotta voidaan taata mahdollisimman hyvä vakaus ja turvallisuus. Jos nostimen jalaksia on kavennettava nostimen viemiseksi sängyn alle, kavenna jalaksia vain sen verran, että nostin on potilaan yläpuolella, ja nosta potilas sängystä. Kun nostimen jalakset eivät enää ole sängyn alla, levitä ne jälleen kokonaan auki.

#### 4.2.1 Manuaalisten jalasten kiinnivetäminen/levittäminen

Jalustan jalakset levitetään tai vedetään kiinni vaihtokahvalla potilasta nostettaessa.

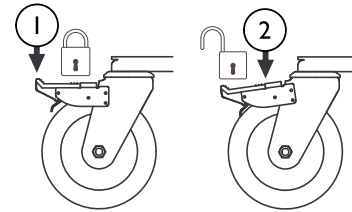
**i** Katso turvallisuustiedot kohdasta 4.2 *Jalasten kaventaminen/levittäminen*, sivu 73 ennen tämän menettelyn suorittamista.

Ⓐ = vaihtokahva



1. Jalasten kiinnivetäminen:  
Vedä vaihtokahvaa ULOSPÄIN ja poispäin seisontanostimesta ja sitten VASEMMALLE, kunnes se LUKKIUTUU kiinnikkeen loveen.  
**i** Vasen määritellään siitä, kun seisot seisontanostimen takana etupyöriin päin.
2. Jalasten levittäminen:  
Vedä vaihtokahvaa ULOSPÄIN ja poispäin seisontanostimesta ja sitten OIKEALLE, kunnes se LUKKIUTUU kiinnikkeen loveen.  
**i** Oikea määritellään siitä, kun seisot seisontanostimen takana etupyöriin päin.

### 4.3 Takapyörien lukitseminen / lukituksen avaaminen



1. Lukitse astumalla tähän
2. Avaa lukitus astumalla tähän

### 4.4 Nostimen nostaminen/laskeminen



#### VAROITUS!

#### Loukkaantumisvaara

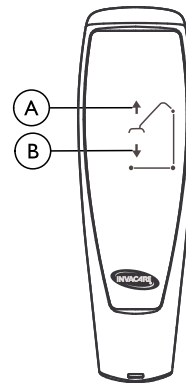
Nostin voi kaatua ja vahingoittaa potilasta ja avustajia.

- Invacare suosittelee, että takapyöriä ei lukita nostomenettelyjen aikana, jotta potilasnostin pysyy vakaana, kun potilas nostetaan tuolista, sängystä tai muusta paikallaan olevasta kohteesta.

#### 4.4.1 Sähköisen nostimen nostaminen/laskeminen



Katso turvallisuustiedot kohdasta 4.4 *Nostimen nostaminen/laskeminen*, sivu 73 ennen tämän menettelyn suorittamista.



1. Nostimen nostaminen:  
nosta puomi ja potilas pitämällä UP-painiketta Ⓐ painettuna.
2. Nostimen laskeminen:  
laske puomi ja potilas pitämällä DOWN-painiketta Ⓑ painettuna.



Lopeta nostimen nostaminen tai laskeminen vapauttamalla painike.

## 4.5 Mekaanisen hätälaukaisimen aktivointi

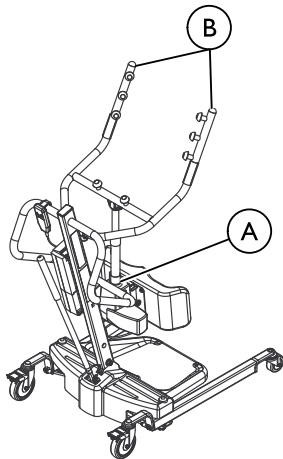
Mekaanisia hätälaukaisimia on kahdentyyppisiä – ensisijainen ja toissijainen.

### 4.5.1 Ensisijainen hätälaukaisin



1. Työnnä kynä reikään, jossa on merkintä Emergency Up **A** (hätälaukaisin ylös) tai Emergency Down **B** (hätälaukaisin alas) ohjainyksikössä **C**.

### 4.5.2 Toissijainen hätälaukaisin



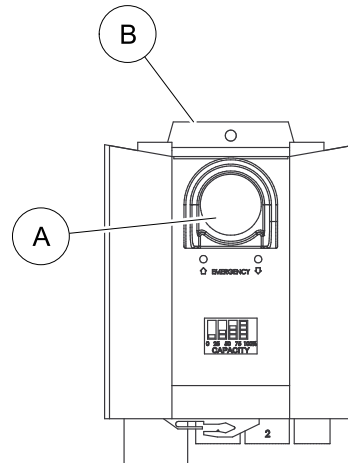
<b>A</b> PUNAINEN hätäkahva	<b>B</b> Nostovarret
-----------------------------	----------------------

**i** Ensisijaisen hätälaukaisimen käyttöä suositellaan. Toissijainen hätälaukaisin on vain ensisijaisen hätälaukaisimen varalaitte.

Jos ensisijainen laukaisin ei toimi tai siihen ei pääse käsiksi, voidaan käyttää toissijaista hätälaukaisinta.

1. Vedä HÄTÄKAHVASTA **A** ja työnnä samalla nostovarsia **B** alaspäin.

## 4.6 Hätäpysäytyksen tekeminen



1. Paina PUNAISTA painiketta **A** ohjainyksikössä **B** jotta estät puomia ja potilasta nousemasta tai laskeutumasta.
2. Palauta kiertämällä samaa painiketta myötäpäivään.

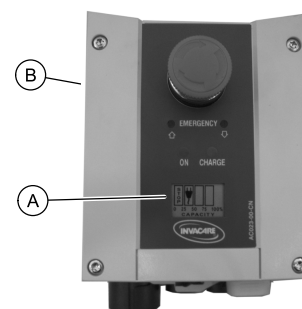
## 4.7 Akun lataaminen

**i** Invacare suosittelee, että akku ladataan päivittäin sen käyttöiän pidentämiseksi.

Akun lataamiseen on kaksi erilaista menetelmää: Ensimmäisessä käytetään virtajohtoa, joka kiinnitetään ohjainkoteloon, ja toisessa akku on kiinnitettävä akkulaturin. Noudata asianmukaista toimintatapaa potilasnostimen akun latauksessa.

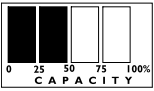
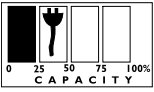
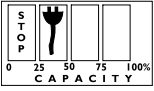
### 4.7.1 Akun merkkivalo

**i** Tämä toimenpide pätee vain RPS350–1FR-malleihin.



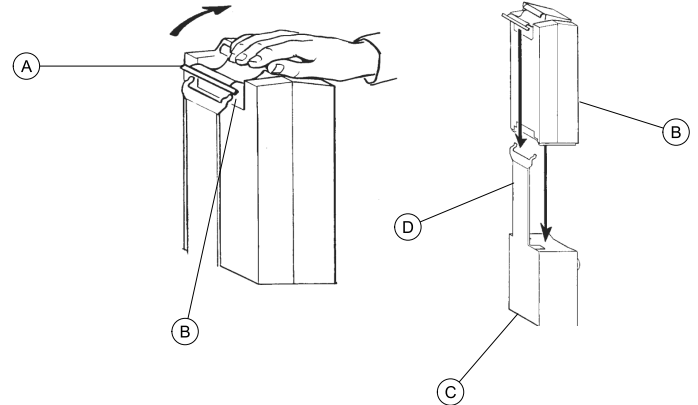
Akun merkkivalo **A** on ohjainyksikössä **B**. Merkkivalot ilmoittavat akun tilan:

Ohjainyksikön akun merkkivalo <b>A</b>	Akun tila	Kuvaus
	Täysi varaus (100 %)	Akku on OK – ei tarvitse ladata (100 %)
	Osittainen varaus (75 %)	Akku on OK – ei tarvitse ladata (75 %).

Ohjainyksikön akun merkivalo Ⓐ	Akun tila	Kuvaus
	Osittainen varaus (50 %)	Akku on ladattava (50 %).
	Vähäinen varaus (25 %)	Akku on ladattava (25 %). Merkinantotorvi piippaa, kun painiketta painetaan.
	Vähäinen varaus (0 %)	Akku on ladattava. Joitakin nostimen toimintoja ei voi enää käyttää, ja voidaan vain laskea puomia.  Akun alhaisesta varaustasosta varoitetaan kuuluvalla hälytinäänellä (merkinantotorvi piippaa). Jos äänimerkki kuuluu siirron aikana, tee kyseinen siirto loppuun ja lataa sitten akku.

- Kiinnitä virtajohto ohjainkoteloon.
- Kytke virtajohto virtapistokkeeseen.  
i Akku latautuu noin 4 tunnissa. Akku on ladattava hyvin ilmastoidussa huoneessa.
- Irrota virtajohto pistorasiasta, kun akku on latautunut täyteen.

#### 4.7.3 Akun lataaminen akkulaturilla



i Tämä toimenpide pätee vain malliin RPS350–1E.

- Nosta kahvaa Ⓐ ylöspäin akun Ⓑ takaosasta.
- Nosta akkua ylöspäin ja pois ohjainkotelosta Ⓒ.

#### 4.7.2 Akun lataaminen virtajohtolla



i Tämä toimenpide pätee vain malliin RPS350–1FR.

Ⓐ = Virtajohto kytetään tänne



#### HUOMIO!

– Häätäpysäytintä EI SAA aktivoida, sillä akkua ei voi muuten ladata. Potilasnostinta ei voi käyttää lataamisen aikana. ÄLÄ yritä siirtää potilasnostinta, jos virtajohtoa ei ole irrotettu seinäpistokkeesta. ÄLÄ yritä käyttää potilasnostinta, jos akkukotelo on vahingoittunut. Vaihda vahingoittunut akkukotelo ennen seuraavaa käyttökertaa.



#### HUOMIO!

Akun virheellinen asentaminen voi aiheuttaa vamman tai vahingon.  
– Varmista, että kuulet selvän napsahduksen, kun asennat akun akkulaturiin. Tämä takaa, että asennus on suoritettu kunnolla.

- Aseta akku akkulaturiin Ⓓ kuvan mukaisesti. Varmista, että kuulet selvän napsahduksen.  
i LED-latausvalo syttyy. Kun lataus on suoritettu loppuun, LED-latausvalo sammuu. Akun täyteen lataaminen kestää noin neljä tuntia.
- Nosta akun takaosassa olevaa kahvaa ylöspäin.
- Nosta akkua ylöspäin ja pois akkulaturista.



#### HUOMIO!

Akun virheellinen asentaminen voi aiheuttaa vamman tai vahingon.  
– Varmista, että kuulet selvän napsahduksen, kun asennat akun ohjainkoteloon. Tämä takaa, että asennus on suoritettu kunnolla.

- Aseta akku takaisin ohjainkoteloon kuvan mukaisesti. Varmista, että kuulet selvän napsahduksen.  
i Akku asennetaan ohjainkoteloon ja akkulaturiin kuvan mukaisesti.

## 5 Potilaan nostaminen

### 5.1 Turvallinen nostaminen



#### VAROITUS!

- ÄLÄ ylitä potilasnostimen enimmäispainorajaa (turvallinen työskentelykuorma, SWL), joka on 159 kg.
- ÄLÄ yritä siirtoja ilman terveydenhuollon ammattilaisen lupaa.
- Pidä kädet ja sormet AINA poissa liikkuvien osien lähetyviltä vammojen välttämiseksi.
- Kun potilas on ripustettu siirron aikana nostoliinaan, ÄLÄ vieritä nostimen alustaa epätasaisten pintojen yli, jotka saattaisivat tehdä nostimesta epävakaan.
- Työnnä tai vedä seisontatukinostinta aina maston kokoonpanon ohjauskahvasta.



#### VAROITUS!

##### Nostimen käyttäminen ja potilaan nostaminen

- Varmista, että seisontatukinostimen kanssa käytetty laitteisto on tarpeeksi vahva kuorman nostamiseksi (esim. nostoliina). Varmista, että laitteiston toimintahäiriön sattuessa nostettava henkilö ei ole vaarassa.
- Varmista ennen seisontatukinostimen jalasten asettamista potilaan ympärille, että potilaan jalat eivät ole jalkalevyn tiellä. Muutoin potilas saattaa vahingoittua.
- Turvallisuus- ja käyttömukavuussäädöt on tehtävä ennen potilaan siirtämistä. Potilaan käsien on oltava nostoliinan hihnojen ulkopuolella.



#### VAROITUS!

##### Nostimen käyttäminen ja potilaan nostaminen

- Ennen potilaan nostamista paikallaan olevasta kohteesta (pyörätuoli, suihkutuoli tai sänky), nosta potilasta hieman paikallaan olevasta kohteesta ja tarkista, että kaikki nostoliinan kiinnitykset. Jos kiinnikkeet eivät ole kunnolla paikallaan, laske potilas ja korjaa ongelma, nosta potilas uudestaan ylös ja tarkista kiinnitykset jälleen.
- Kun potilas on ripustettu siirron aikana nostimeen kiinnitettyyn nostoliinaan, ÄLÄ vieritä pyöräjalustaa epätasaisilla pinnoilla, jotka saattavat aiheuttaa potilasnostimen epävakauden ja kaataa potilasnostimen. Työnnä tai vedä potilasnostinta AINA maston ohjauskahvasta.
- Invacare suosittelee potilasnostimen takakääntöpyörien lukitsemista VAIN silloin, kun nostoliina (seisontatuki- tai siirtonostoliina) asetetaan potilaan ympärille tai poistetaan potilaan ympäriltä.
- Invacare EI suosittele potilasnostimen takapyörien lukitsemista henkilön nostamisen aikana. Tämä saattaa aiheuttaa nostimen kaatumisen ja vahingoittaa potilasta ja avustajia. Invacare SUOSITTELEE, että takapyöriä ei lukita nostomenettelyjen aikana, jotta potilasnostin pysyy vakaana, kun potilas nostetaan tuolista, sängystä tai muusta paikallaan olevasta kohteesta.



#### VAROITUS!

##### Nostoliinan käyttäminen

- Käytä terveydenhuollon ammattilaisen suosittelemaa nostoliinaa, joka takaa nostettavan potilaan käyttömukavuuden ja turvallisuuden.
- Henkilöiden, jotka käyttävät seisontatukinostoliinaa, on pystyttävä kannattelemaan suurinta osaa painostaan, muutoin saattaa syntyä vammoja.
- Valkaistut, revenneet, leikatut tai rikkoutuneet nostoliinat eivät ole turvallisia ja niiden käyttö saattaa aiheuttaa loukkaantumisen. Hävitä VÄLITTÖMÄSTI sellainen nostoliina, jossa on jokin tällainen vika.
- ÄLÄ muuta nostoliinoja.
- Muista tarkistaa nostoliinan kiinnitykset sen poiston ja vaihtamisen yhteydessä. Näin varmistat nostoliinan kunnollisen kiinnityksen, kun potilas siirretään paikallaan olevasta kohteesta (sänky, tuoli tai suihkutuoli).
- Jos potilas on pyörätuolissa, lukitse sen jarrut, jotta pyörätuoli ei siirry eteen- tai taaksepäin.
- Varovaisuutta on noudatettava, että nostettava henkilö ei altistu vaaralle ja että henkilö voidaan vapauttaa ilman vammoja.

**VAROITUS!****Seisontatukinostoliina**

- ÄLÄ käytä seisontatukinostoliinaa ja potilasnostinta kuljetuslaitteena. Se on tarkoitettu siirtämään henkilö yhdestä sijaintipaikasta toiseen (kuten sängystä pyörätuoliin).
- Varmista ennen potilaan nostamista, että seisontatukinostoliinan alimmainen reuna on asetettu potilaan alaselän kohdalle ja että potilaan kädet ovat seisontatukinostoliinan ulkopuolella. Vyön TÄYTYY olla tiukka mutta potilaalle mukava, muutoin potilas voi liukua nostoliinasta pois siirron aikana ja hänelle voi aiheutua vamma.
- Vyön TÄYTYY olla tiukka mutta potilaalle mukava, muutoin potilas voi liukua nostoliinasta pois siirron aikana ja hänelle voi aiheutua vamma.

**Siirrettävä seisontatukinostoliina**

- Varmista ennen potilaan nostamista, että siirtonostoliinan alimmainen reuna on asetettu potilaan ristiselän kohdalle ja että potilaan kädet ovat siirtonostoliinan ulkopuolella.
- ÄLÄ nosta potilasta täyteen seisoma-asentoon, kun käytät siirtonostoliinaa, muutoin potilaalle saattaa aiheutua vamma.



Lue lisätietoa potilasnostoliinan esitteestä.

## 5.2 Seisontatukinostimen sijoittaminen käyttöä varten

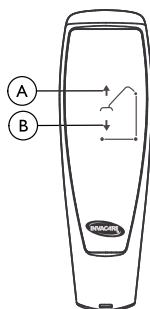


Katso tämän oppaan turvallisuusosio ja tiedot kohdasta 5.1 *Turvallinen nostaminen*, sivu 76, ennen kuin jatkat nostimen käyttöä, ja noudata kaikkia mainittuja varoituksia.

Ennen kuin asetat potilasnostimen jalakset sängyn alle, varmista, ettei alueella ole mitään esteitä.

**VAROITUS!****Loukkaantumisaara**

- Nostin voi kaatua ja vahingoittaa potilasta ja avustajia.
- Nostimen jalakset on levitettävä kokonaan auki vakauden ja turvallisuuden varmistamiseksi. Jos nostinta on käytettävä sängyn alla ja nostimen jalaksia on vedettävä kiinni, vedä jalkoja sisäänpäin vain siihen asti, kunnes nostin on potilaan yläpuolella, ja kohota potilasta sängystä. Kun nostimen jalakset eivät enää ole sängyn alla, levitä ne kokonaan auki.



Ⓐ UP-painike

Ⓑ DOWN-painike

1. Varmista, että seisontatukinostimen jalakset on levitetty kokonaan auki. Jos eivät, levitä jalakset käyttämällä vaihtokahvaa.
2. Sijoita seisontatukinostin käyttämällä mastokahvaa.
3. Paina käsiohjaimen nuolipainiketta alas ja laske nostovarret alas nostoliinan helppoa kiinnittämistä varten.

## 5.3 Potilaan nostaminen

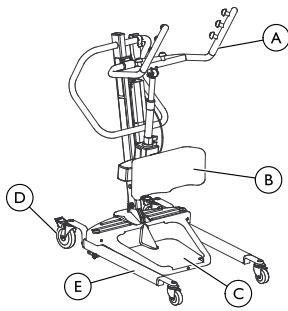
**VAROITUS!**

- ÄLÄ ylitä potilasnostimen enimmäispainorajaa (turvallinen työskentelykuorma, SWL), joka on 159 kg.
- Henkilöiden, jotka käyttävät seisontatukinostoliinaa, on pystyttävä kannattelemaan suurinta osaa painostaan, muutoin saattaa syntyä vammoja.
- ÄLÄ lukitse seisontatukinostimen takapyöriä henkilön nostamisen aikana. Takapyörien lukitseminen saattaa aiheuttaa seisontatukinostimen kaatumisen ja potilaan ja avustajien vaarantumisen. Takapyörien vapauttaminen nostomenettelyjen pitää nostimen vakaana, kun potilas nostetaan pyörätuolista, sängystä tai muusta paikallaan olevasta kohteesta.
- ÄLÄ liikuta potilasta, jos nostoliinaa ei ole kiinnitetty kunnolla seisontatukinostimen kiinnityskohtiin.
- Varmista, että nostoliina asianmukaisesti kiinnitetty ENNEN potilaan nostamista. Jos kiinnitykset eivät ole asianmukaisesti paikoillaan, korjaa ne. Kun nostoliinaa on nostettu muutama sentti/tuuma kiinteältä pinnalta ennen potilaan siirtämistä, tarkista uudelleen, että nostoliina ja kaikki kiinnitykset ovat kunnolla paikoillaan. Jos havaitset ongelman, laske potilas takaisin paikallaan pysyvälle pinnalle ja korjaa ongelma. Muutoin potilas saattaa loukkaantua.
- Turvallisuus- ja käyttömukavuussäädöt on tehtävä ennen potilaan siirtämistä.

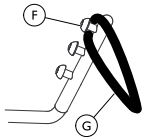
**VAROITUS!**

- Käytä potilaan lääkärin, sairaanhoitajan tai lääketieteellisen avustajan suosittelemaa nostoliinaa, joka takaa nostettavan potilaan käyttömukavuuden ja turvallisuuden. Invacaren nostoliinat on suunniteltu käytettäväksi erityisesti Invacaren potilasnostinten kanssa. Tietyissä tapauksissa muiden valmistajien nostoliinojen käyttö Invacaren nostimissa saattaa olla mahdollista. Lisätietoja saat paikallisesta Invacaren toimistosta.

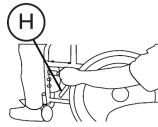
### Yksityiskohta A – Seisontatukinostin



#### Yksityiskohta B – nostoliinan kiinnitys



#### Yksityiskohta C – jarrut



Ⓐ Käsikahvat	Ⓔ Jalka
Ⓑ Polvituki	Ⓕ Koukku
Ⓒ Jalkalevy	Ⓖ Nostoliinan silmukka
Ⓓ Takapyörä	Ⓗ Jarru

Lue lisätietoa potilasnostoliinan käyttöoppaasta.

Potilaan ON OLTAVA seisoma-asennossa ensin. Käytä sängyn päätyä ja nosta potilas pystyasentoon ja siirrä sitten jalat sängyn laidan yli.

- Ohjeista potilasta pitämään kiinni seisontatukinostimen molemmista kädensijoista (yksityiskohta A).
- Ohjeista potilasta nojaamaan taaksepäin seisonta- tai siirtonostoliinaan.



#### VAROITUS!

- Seisontatukinostoliinat – varmista ennen potilaan nostamista, että nostoliinan alimmainen reuna on asetettu potilaan alaselän kohdalle ja että potilaan kädet ovat nostoliinan ulkopuolella.
- Siirtoseisontatukinostoliinat – varmista ennen potilaan nostamista, että nostoliinan alimmainen reuna on asetettu potilaan ristiselän kohdalle ja että potilaan kädet ovat nostoliinan ulkopuolella.

- Varmista seuraavat:
  - Potilaan polvet ovat tiukasti polvitukea vasten.
  - Potilaan jalat on asetettu kunnolla jalkalevylle.

#### c. Nostoliinat:

- seisontatukinostoliinan alimmainen reuna on asetettu potilaan alaselän kohdalle.
- siirtoseisontatukinostoliinan alimmainen reuna on asetettu potilaan ristiselän kohdalle.
- potilaan kädet ovat nostoliinan ulkopuolella.
- nostoliinan silmukat ovat kokonaan nostovarsien koukuissa (yksityiskohta B).

#### d. Takapyörien lukitus on vapautettu.

#### e. Jalakset on levitetty kokonaan auki.



#### VAROITUS!

- Jos potilasta siirretään pyörätuolista, pyörätuolin jarrujen on EHDOTTOMASTI oltava lukitussa asennossa ennen potilaan laskemista pyörätuoliin. Muussa tapauksessa seurauksena voi olla loukkaantuminen.

- Jos siirto tapahtuu pyörätuolista, lukitse pyörätuolin jarrut (yksityiskohta C).
- Paina käsiohjaimen YLÖS-nuolipainiketta ja nosta potilas tason yläpuolelle (sänky, pyörätuoli tai suihkutuoli). Seisontatukinostin kannattelee potilaan painoa.



Vakautta lisäävä alempi vetovoima saa potilaan tuntemaan olonsa turvallisemmaksi, ja nostinta on helpompi liikuttaa.

## 5.4 Potilaan siirtäminen



#### VAROITUS!

- Seisontatukinostimen jalakset ON LEVITETTÄVÄ kokonaan auki vakauden ja turvallisuuden varmistamiseksi. Jos potilas on nostoliinassa ja hänet on siirrettävä kapean tilan läpi, sulje seisontatukinostimen jalakset tilan läpikulun ajaksi. Kun seisontatukinostin on kuljetettu tilan läpi, levitä jalakset jälleen kokonaan auki.
- Kun potilas on ripustettu siirron aikana nostoliinaan, ÄLÄ vieritä pyöräjalustaa epätasaisilla pinnoilla, jotka saattavat horjuttaa nostinta. Nostin saattaa kaatua. Työnnä tai vedä potilasnostinta aina mastokahvasta.

- Varmista, että seisontatukinostimen jalakset on levitetty kokonaan auki. Jos eivät ole, levitä jalakset kokonaan auki painamalla LEVITÄ JALAKSET -painiketta käsiohjaimesta.
- Siirrä seisontatukinostin pois tasolta, jolta potilas nostettiin.
- Siirrä potilas hitaasti halutulle tasolle.

## 6 Potilaan siirtäminen

### 6.1 Turvallinen siirto



#### VAROITUS!

- ÄLÄ ylitä potilasnostimen enimmäispainorajaa (turvallinen työskentelykuorma, SWL), joka on 159 kg.
- ÄLÄ yritä siirtää potilasta ilman terveydenhuollon ammattilaisen lupaa. Lue huolellisesti tämän käyttöoppaan ohjeet ja tarkkaile, miten koulutetut asiantuntijat nostavat potilasta. Harjoittele sitten nostamista alusta loppuun asti useamman kerran asianmukaisen valvonnan alaisuudessa ei-liikuntakyvyttömän henkilön esittäessä potilasta. Koulutusta voidaan tarjota. Lisätietoja saat paikallisesta Invacaren toimistosta.
- ÄLÄ liikuta potilasta, jos nostoliinaa ei ole kiinnitetty kunnolla seisontatukinostimen kiinnityskohtiin. Tarkista ennen potilaan liikuttamista, että nostoliina on kiinnitetty kunnolla seisontatukinostimen kiinnityskohtiin. Jos kiinnitykset eivät ole asianmukaisesti paikoillaan, korjaa ne. Kun nostoliinaa on nostettu muutama sentti/tuuma kiinteältä pinnalta ennen potilaan siirtämistä, tarkista uudelleen, että nostoliinan kaikki kiinnitykset ovat kunnolla paikoillaan. Jos kiinnitykset eivät ole kunnolla paikoillaan, laske potilas takaisin paikallaan pysyväälle pinnalle ja korjaa ongelma. Muutoin potilas saattaa loukkaantua.



#### VAROITUS!

- Turvallisuus- ja käyttömukavuussäädöt on tehtävä ennen potilaan siirtämistä. Potilaan käsien on oltava hihnojen ulkopuolella.
- Käytä terveydenhuollon ammattilaisen suosittelemaa nostoliinaa, joka takaa nostettavan potilaan käyttömukavuuden ja turvallisuuden.



#### VAROITUS!

- ÄLÄ lukitse seisontatukinostimen takapyöriä henkilön nostamisen aikana. Takapyörien lukitseminen saattaa aiheuttaa seisontatukinostimen kaatumisen ja potilaan ja avustajien vaarantumisen.
- Seisontatukinostimen jalakset ON LEVITETTÄVÄ kokonaan auki vakauden ja turvallisuuden varmistamiseksi. Jos potilas on nostoliinassa ja hänet on siirrettävä kapean tilan läpi, sulje seisontatukinostimen jalakset tilan läpikulun ajaksi. Kun seisontatukinostin on kuljetettu tilan läpi, levitä jalakset jälleen kokonaan auki. Jos nostinta on käytettävä sängyn alla ja seisontatukinostimen jalaksia on vedettävä kiinni, vedä jalkoja sisäänpäin vain siihen asti, kunnes seisontatukinostin on potilaan yläpuolella, ja kohota potilasta sängystä. Kun seisontatukinostimen jalakset eivät enää ole sängyn alla, levitä ne kokonaan auki.
- Muista tarkistaa nostoliinan kiinnitykset sen poiston ja vaihtamisen yhteydessä. Näin varmistat nostoliinan kunnollisen kiinnityksen, kun potilas siirretään tasolta.

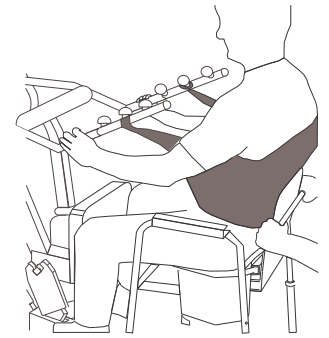
Terveydenhuoltoalan ammattilainen arvioi kunkin yksittäisen tapauksen osalta, riittääkö laitteen käyttöön yksi avustaja.

### 6.2 Siirtäminen suihkutuoliin

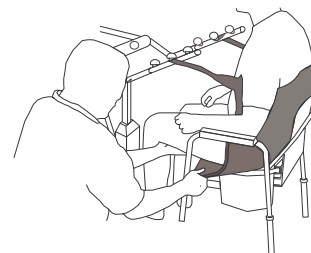
Yksityiskohta A



Yksityiskohta B




Yksityiskohta C



#### VAROITUS!

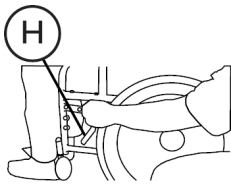
- Invacare suosittelee potilasnostimen takakääntöpyörien lukitsemista vain silloin, kun nostoliina asetetaan potilaan ympärille tai poistetaan potilaan ympäriltä.

1. Nosta potilas sängyn laidalta.
2. Paina käsiohjaimen UP-painiketta ja nosta potilas riittävän korkealle suihkutuolin käsinojista. Seisontatukinostin kannattelee heidän painoaan.

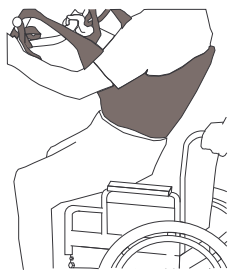
3. Ohjaa potilas suihkutuoliin. Tähän saatetaan tarvita kaksi avustajaa.
  4. Laske potilas suihkutuoliin painamalla alanuolipainiketta.
  5. Lukitse seisontatukinostimen takakääntöpyörät.
  6. Valitse yksi seuraavista nostoliinan tyylin mukaan:
    - Seisontatukinostoliina – irrota seisontatukinostoliina kiinnityskohdistaan seisontatukinostimeen.
    - Siirrettävä seisontatukinostoliina –
      - a. Irrota siirrettävä seisontatukinostoliina pohjan kiinnityskohdistaan seisontatukinostimeen.
      - b. Nosta potilaan jalvoja ja irrota reisitet potilaan alta.
      - c. Haluttaessa voit irrottaa siirrettävän seisontatukinostoliinan päällimmäisistä kiinnityskohdistaan seisontatukinostimeen.
-  Potilas voi olla seisontatukinostoliinan yläosassa, kun suihkutuolia käytetään.
7. Ohjeista tai avusta potilasta nostamaan jalkansa pois jalkalevyltä.
  8. Poista nostoliina potilaan ympäriltä.
  9. Vapauta takapyörät ja vedä seisontatukinostin pois suihkutuolin luota.
  10. Kun suihkutuolin käyttö on lopetettu, tarkista uudelleen nostoliinan oikea kiinnitys.

### 6.3 Siirtäminen pyörätuoliin

#### Yksityiskohta A



#### Yksityiskohta B



#### Yksityiskohta C



 H = pyörätuolin jarru

1. Varmista, että potilaan ollessa nostoliinassa nostimen jalokset on levitetty kokonaan auki.
2. Siirrä pyörätuoli oikeaan paikkaan.

3. Lukitse pyörätuolin jarrut, jotta pyörätuoli ei liiku (yksityiskohta A).



#### VAROITUS!

– ÄLÄ laske potilasta pyörätuoliin, jos jarrut eivät ole lukittuna. Pyörätuolin jarrujen on EHDOTTOMASTI oltava lukitussa asennossa ennen potilaan laskemista pyörätuoliin kuljetusta varten. Muussa tapauksessa seurauksena voi olla loukkaantuminen.

4. Aseta potilas pyörätuolin ylle (Yksityiskohta B).
5. Paina alanuolipainiketta ja laske potilas pyörätuoliin.



#### VAROITUS!

– Lukitse potilasnostimen takakääntöpyörät VAIN silloin, kun nostoliina (seisontatuki- tai siirtoseisontatuki) asetetaan potilaan ympärille tai poistetaan potilaan ympäriltä. Muussa tapauksessa seurauksena voi olla loukkaantuminen.

6. Lukitse takakääntöpyörät.
7. Irrota siirrettävä seisontatukinostoliina kaikista kiinnityskohdistaan seisontatukinostimeen (yksityiskohta C).
8. Ohjeista potilasta nostamaan jalkansa pois jalkalevyltä. Avusta potilasta tarvittaessa.
9. Poista nostoliina potilaan ympäriltä.
10. Vapauta takapyörät ja vedä seisontatukinostin pois pyörätuolin luota.

### 6.4 Siirtäminen vuoteeseen



Vakautta lisäävä alempi vetovoima saa potilaan tuntemaan olonsa turvallisemmaksi, ja nostinta on helpompi liikuttaa.

1. Aseta potilas mahdollisimman pitkälle sängyn yläpuolelle.



Jos potilas siirretään tasolta, joka on sänkyä alempana, paina UP-nuolipainiketta (ylös) potilaan nostamiseksi sängyn tason yläpuolelle. Nosta potilasta vain sen verran, että kohotat hänet sängystä esteettömästi. Nostimen on kannatettava potilaan koko painoa.

2. Paina alanuolipainiketta ja laske potilas sängylle.



#### VAROITUS!

– Invacare suosittelee potilasnostimen takakääntöpyörien lukitsemista VAIN silloin, kun nostoliina asetetaan potilaan ympärille tai poistetaan potilaan ympäriltä.

3. Lukitse takakääntöpyörät.
4. Irrota tukinostin tai siirtotukinostoliina kaikista kiinnityskohdistaan seisontatukinostimeen.
5. Ohjeista potilasta nostamaan jalkansa pois jalkalevyltä.



Avusta potilasta tarvittaessa.


6. Poista seisontatuki tai siirtoseisontatuki potilaan ympäriltä.
7. Vapauta takapyörät ja vedä seisontatukinostin pois sängyn viereltä.



## 7 Vianmääritys

### 7.1 Vianmääritystaulukko

OIREET	VIAT	RATKAISU
Nivelakseleista kuuluu voimakas tai kuiva ääni.	Voitelua tarvitaan.	Katso <i>Nostimen voitelu</i> .
Sähköinen toimilaite ei pysty nostamaan, kun painetaan painiketta.	Käsiohjaimen tai toimilaitteen liitäntä on löysä.	Yhdistä käsiohjaimen tai toimilaitteen liitäntä. Varmista, että liittimet ovat asianmukaisesti paikallaan ja täysin liitetyt.
	Akun varaustaso on matala.	Lataa akut. Katso <i>4.7 Akun lataaminen, sivu 74</i> .
	PUNAINEN hätäpysäytyspainike painettu SISÄÄN.	Kierrä PUNAISTA hätäpysäytyspainiketta MYÖTÄPÄIVÄÄN, kunnes se ponnahtaa ulos.
	Akkua ei ole liitetty kunnolla ohjainkoteloon.	Yhdistä akku uudelleen ohjainkoteloon. Katso <i>4.7 Akun lataaminen, sivu 74</i> .
	Liitäntäpäätteet ovat vahingoittuneet.	Vaihda akku. Katso <i>4.7 Akun lataaminen, sivu 74</i> .
	Huoltoa tai kuormaa edellyttävä sähköinen toimilaite on liian korkealla.	Katso <i>8.7 Sähköisen toimilaitteen vaihtaminen, sivu 83</i> . Ota yhteyttä paikalliseen Invacaren jälleenmyyjään tai edustajaan.
Nostovarren toimilaitteesta kuuluu epätavallista ääntä.	Toimilaite on kulunut tai vahingoittunut tai kara on vääntynyt.	Katso <i>8.7 Sähköisen toimilaitteen vaihtaminen, sivu 83</i> . Ota yhteyttä paikalliseen Invacaren jälleenmyyjään tai edustajaan.
Nostovarret eivät laskeudu ylimmästä asennosta.	Nostovarret tarvitsevat vähimmäispainokuorman, jotta ne voidaan laskea ylimmästä asennosta.	Vedä nostovarsia hieman alas.
Jalaket eivät avaudu ja sulkeudu kunnolla.	Jalustan saattaa tarvita säätämistä.	Katso <i>8.6 Alustan säätäminen, sivu 83</i> .

 Jos ongelmia ei saada korjattua ehdotetuilla tavoilla, ota yhteyttä jälleenmyyjään tai Invacareen.

## 8 Huolto

### 8.1 Huolto ja turvallisuustarkastus: tarkastuslista



#### VAROITUS!

- VAIN pätevä henkilöstö saa tehdä kunnossapitotoimet.
- Pätevän henkilön on varmistettava, että tuotteen lujuus ja vakaus säilyvät riittävinä kaikkiin tehtäviin, jos osia korvataan.
- ÄLÄ kiristä kiinnitysosia liikaa, tämä vahingoittaa kiinnikkeitä.



Noudata tässä käyttöoppaassa kuvattuja huoltomenettelyjä, jotta potilasnostinta voi käyttää jatkuvasti.

Invacaren potilasnostimen tarkoituksena on varmistaa mahdollisimman turvallinen, tehokas ja tyydyttävä huolto, joka vaatii mahdollisimman vähän hoitoa ja ylläpitoa.

Invacaren nostimen kaikki osat on valmistettu parhaasta teräslaadusta, mutta metallin hankautuminen metallia vasten kuluttaa osia pitkäaikaisen käytön jälkeen.

Pyörien säätämis- ja huoltotoimenpiteet kattavat vain puhdistuksen, voitelun sekä akselin ja saranapultin tiukkuuden tarkistamisen. Poista kaikki lika ym. renkaasta ja saranalaakereista. Vaihda kuluneet osat **VÄLITTÖMÄSTI**.

Jos olet epävarma nostimen jonkin osan turvallisuudesta, ota yhteyttä jälleenmyyjään **VÄLITTÖMÄSTI**.

Yhdistyneen kuningaskunnan terveys- ja turvallisuusviranomaisen vuoden 1998 nostotoimenpiteitä ja nostolaitteita koskevissa määräyksissä (LOLER) edellytetään, että kaikille työpaikalla kuorman nostamiseen käytettäville laitteille on tehtävä turvatarkastus kuuden kuukauden välein. Vain soveltuvan koulutuksen saanut henkilö saa suorittaa tarkastuksen. Katso ohjeita terveys- ja turvallisuusviranomaisen sivustosta ([www.hse.gov.uk](http://www.hse.gov.uk)).

Asianmukaisen toiminnan takaaminen edellyttää potilasnostinten ja lisävarusteiden säännöllistä huoltoa. Potilasnostimesta vastaavan henkilön vastuulla on varmistaa, että nämä huoltotoimet suoritetaan.

Ensimmäisten 12 käyttökuukauden jälkeen kaikki saranapisteeet ja kiinnikkeet on tarkistettava kulumisen varalta. Jos metalli on kulunut, osat **TÄYTYY** vaihtaa. Tarkasta osat tämän jälkeen aina kuuden kuukauden käytön jälkeen.

Tarkistuspäivä:	Nimikirjaimet:
<b>PYÖRÄJALUSTA</b> <ul style="list-style-type: none"> <li><input type="checkbox"/> Tarkista, puuttuuko osia.</li> <li><input type="checkbox"/> Jalusta avautuu/sulkeutuu helposti.</li> <li><input type="checkbox"/> Tarkista pyörien ja akselipulttien kireys.</li> <li><input type="checkbox"/> Tarkista pyörien joustava kääntö ja pyörintä.</li> <li><input type="checkbox"/> Tarkista, ettei pyörissä ole roskia, ja poista mahdolliset roskat.</li> <li><input type="checkbox"/> Tarkista, etteivät kääntyvät osat ole kuluneet.</li> </ul>	

#### NOSTOLIINAT JA LAITTEET

- Varmista kunnollinen kiinnitys ja potilaan turvallisuus tarkistamalla kaikki nostoliinan kiinnikkeet jokaisen käyttökerran yhteydessä.
- Tarkista, että nostoliinamateriaali ei ole kulunut.
- Tarkista, etteivät remmit ole kuluneet.
- Tarkista ompeleet.

#### SÄHKÖISEN TOIMILAITTEEN KOKOONPANO

- Tarkista, ettei kokoonpanossa ole vuotoja.
- Tarkista maston, puomin ja jalustan laitteet.
- Tarkista, ettei kokoonpano ole kulunut tai vaurioitunut. Jos kokoonpano on vahingoittunut, palauta se tehtäseen.
- Suorita käyttöjakso sähköisen toimilaitteen moitteettoman ja hiljaisen toiminnan varmistamiseksi.

#### NOSTOVARRET JA LIITOS

- Tarkista kaikki laitteet ja liitoskohdat.
- Tarkista, ettei puomi ole vääntynyt tai taipunut.
- Tarkista, etteivät nostovarsien pulttiliitokset ole kuluneet.
- Tarkista, että nostovarret on keskitetty jalustan jalasten väliin.
- Tarkista, etteivät kääntyvät osat ole kuluneet.
- Tarkista, etteivät nostoliinan koukut ole kuluneet tai taipuneet.

#### MASTO

- Masto on asennettava tiukasti nostovarsiin.
- Tarkista, ettei puomi ole vääntynyt tai taipunut.
- Tarkista, etteivät kääntyvät osat ole kuluneet.

#### PUHDISTUS

- Aina tarvittaessa.

### 8.2 Nostoliinan ja nostimen puhdistaminen



#### VAROITUS!

- Tarkista **JOKAISEN** (nostoliinan ohjeiden mukaisen) pesukerran jälkeen, ettei nostoliina ole kulunut tai revennyt tai että sen ompeleet eivät ole löystyneet. Hävitä sellainen nostoliina **VÄLITTÖMÄSTI**, jossa on jokin tällainen vika.

#### Nostoliinan puhdistaminen

Nostoliina on pestävä säännöllisesti alle 95-asteisella (203 °F) vedellä ja pesuliuksella. Katso pesuohjeet nostoliinan käyttöoppaasta.

#### Nostimen puhdistaminen ja desinfiointi

Nostolaite on puhdistettava ja desinfioitava jokaisen käyttökerran jälkeen risti-infektion estämiseksi.

Puhdista potilasnostin pehmeällä, veteen kostutetulla liinalla ja vähäisellä määrällä mietoa puhdistusainetta. Älä käytä hankaavia puhdistusaineita.

Älä koskaan puhdista nostinta hapolla, lipeällä tai liuottimella. Kuivaa nostin huolellisesti puhdistuksen jälkeen.

Moottorit, ohjainyksikkö ja asennettavat osat voivat vahingoittua, jos nostinta ei puhdisteta edellä mainitulla tavalla.

Nostin on pyyhittävä kostutetulla, hyvin vedestä puristetulla liinalla käyttämällä tavallista kodin desinfiointiainetta. Käytä vain valmistajan hyväksymiä desinfiointiaineita.

### 8.3 Uudelleenkäyttö

Tämä tuote sopii käytettäväksi uudelleen. Tuotteen kunnosta riippuu, miten monta kertaa sitä voidaan käyttää uudelleen.

Potilasnostin ja nostoliinat on puhdistettava jokaisen käyttökerran jälkeen infektion estämiseksi. Katso ennen uudelleenkäyttöä kohta *Nostoliinan ja Nostimen puhdistaminen*.

### 8.4 Kulumien ja vaurioiden havaitseminen

Muista tarkistaa kaikki kuormitettavat osat, kuten nostoliinat, nostovarsi ja kaikki nostoliinojen tapit, murtumisen, kulumisen, vääntymisen tai vahingoittumisen varalta. Vaihda kaikki vioittuneet osat **VÄLITTÖMÄSTI** ja varmista, että nostinta ei käytetä, ennen kuin korjaukset on tehty.

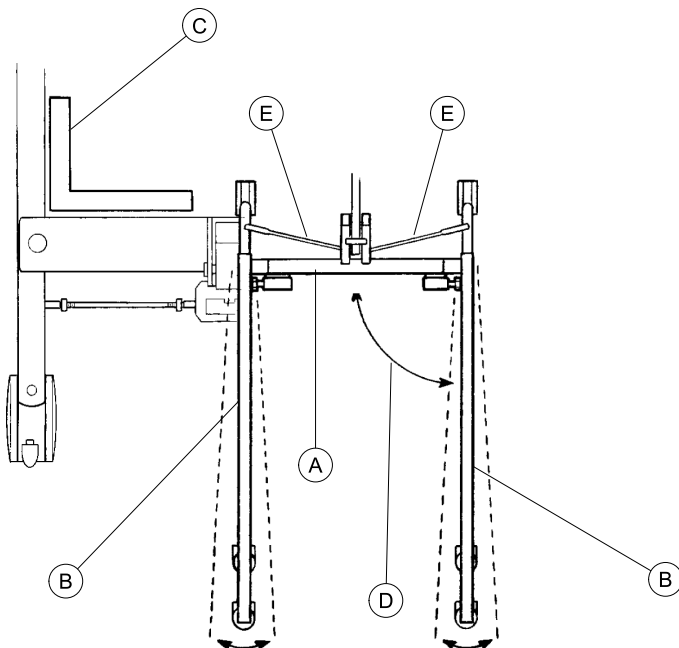
### 8.5 Nostimen voitelu

Invacare-nostin on suunniteltu siten, että se vaatii vain vähän huoltoa. Se toimii turvallisesti ja luotettavasti, jos tarkistat ja voitelet sen puolen vuoden välein.

Pidä nostin ja nostoliinat puhtaina ja ehjinä. Kaikki viat on pantava merkille ja niistä on ilmoitettava mahdollisimman pian jälleenmyyjälle.

Pyörien ON käännettävä ja pyörittävä joustavasti. Pyörien pallolaakereita voi voidella kevyellä rasvalla (vedenpitävällä automaattivoiteluaineella) kerran vuodessa. Lisää rasvaa useammin, jos pyöriä käytetään hyvin kosteissa oloissa.

### 8.6 Alustan säätäminen



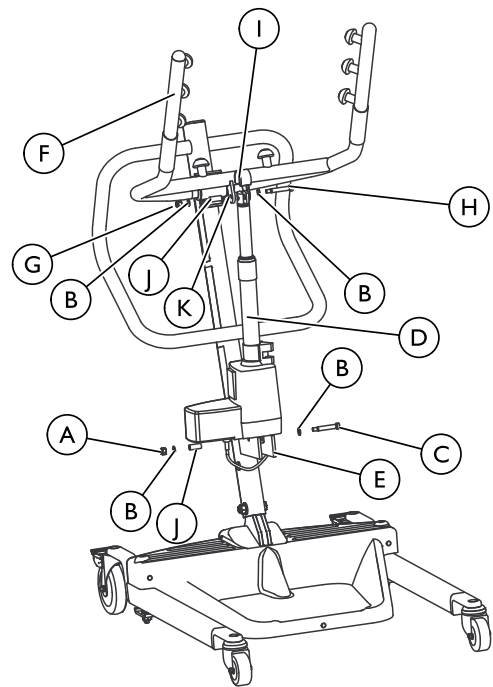
Jalustaa ① säädetään vain nivelkarojen säätämiseksi.

! Nostin saattaa vaurioitua.  
– Jalasten on oltava täysin lukitussa asennossa ennen nivelkarojen säätämistä.

1. Vedä jalakset kokonaan kiinni. Katso 4.2.1 *Manuaalisten jalasten kiinnittäminen/levittäminen, sivu 73*.
2. Tarkista, että jalakset ② ovat kiinnivedettyinä nelikulmaisessa asennossa.
3. Aseta kulmamittain ③ jalasten ja jalustan sisäpuolelle ja määritä 90°:n kohdistus ④.
4. Säädä nivelkaroja ⑤, kunnes niiden kohdistus on 90°.

! Nostin saattaa vaurioitua.  
– ÄLÄ säädä nivelkaroja siten, että niiden kohdistus on alle 90°.

### 8.7 Sähköisen toimilaitteen vaihtaminen



① Alamutteri	④ Ylämutteri
② Aluslevy	⑤ Pultti
③ Nostopultti	⑥ Kiinnitin
④ Sähköinen toimilaite	⑦ Holkki
⑤ Maston kiinnike	⑧ Nostovarren kiinnike
⑥ Nostovarsi	

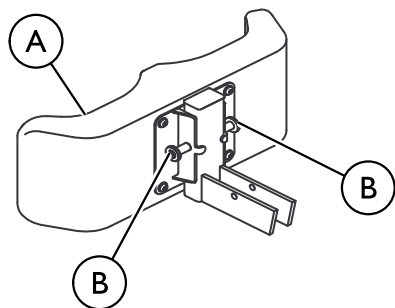


#### VAROITUS!

– ÄLÄ kiristä kokoonpanolaitteistoa liikaa. Se vaurioittaa kiinnikkeitä.

1. Irrota alamutteri, aluslevyt, nostopultti ja holkki, jotka kiinnittävät sähköisen toimilaitteen mastokiinnikkeeseen.
2. Anna nostovarren levätä olkapäälläsi ja irrota ylämutteri, pultti, kiinnike, holkki (tarvittaessa) ja aluslevyt nostovarren kiinnikkeestä.
3. Irrota sähköinen toimilaite.
4. Asenna uusi sähköinen toimilaite toistamalla VAIHEET 1–3 päinvastaisessa järjestyksessä.

## 8.8 Polvituen korkeuden säätäminen



Ⓐ Polvituki

Ⓑ Säätötapit



### VAROITUS!

- ÄLÄ KOSKAAN säädä polvitukea, kun potilas on pystyasennossa.
- ÄLÄ KOSKAAN yritä säätää polvitukea nostimen liikkeessä.
- Varmista AINA ennen käyttöä, että säätötapit ovat kiinni niitä vastaavissa korkeudensäätörei'issä.

1. Valitse korkeusasetus, joka on mukava potilaalle ja antaa tarvittavan tuen.



Polvituki on asetettava niin, että jalan polviosa osuu tukeen.

2. Vedä molempia säätötappeja ulospäin molemmilla käsillä samaan aikaan.
3. Aseta polvituki haluttuun korkeuteen ja vapauta säätötapit vastaaviin säätöreikiin.
4. Varmista, että molemmat tapit ovat kiinni.

## 9 Tekniset Tiedot

### 9.1 Potilasseisontatukinostimet RPS3501E ja RPS3501FR

Nostoliinan enimmäisripustuskorkeus:	168 cm
Nostoliinan vähimmäisripustuskorkeus:	102 cm
Jalustan leveys (avattuna):	94 cm
Jalustan leveys (suljettuna):	66 cm
Jalustan korkeus (vapaa väli):	11,5 cm
Jalustan pituus	90 cm
Kokonaiskorkeus	125 cm
Kokonaispituus	99 cm
Kokonaisleveys	65,5 cm
Pyörän koko (ETU/TAKA)	8 cm / 13 cm
Nostoliinavaihtoehdot	Seisontatuki tai siirrettävä seisontatukinostoliina
Nostoliinan materiaali	Polyesteri
Enimmäispainoraja (turvallinen työskentelykuorma, SWL) (potilas + nostoliina)	159 kg
Kokonaispaino (ilman pakkausta)	49 kg
Akku (lähtöjännite)	24V DC mb max. 240VA (RCHBL)
Laturin tulo (syöttöjännite):	100–240V AC ~ 50/60 Hz
Laturin lähtöteho/latausaika	29,5 V DC 2,9 Ah maks. 6 h
Akun alhaisen varaustilan ääni/kuvahälytys:	Kyllä

Moottorin turvallisuuslaitteet	Liukumisenesto
*Noin Nostot latauksella (työskentelykapasiteetti)	*100–200 jaksoa/lataus
Suurin tulovirta	Enint. 400 mA
Käyttölämpötila	5°–40 °C
Ilmankosteus	20–90 % 30 °C:ssa, ei-tiivistyvä
Äänenpaine	<50 dB
Ilmanpaine	700–1 060 hPa
Säilytyslämpötila	yli 0 °C
Säilytysilmankosteus	alle 60 %
Säilytysilmanpaine	700–1 060 hPa
Suojausluokka, ohjainyksikkö	IPX4
Suojausluokka, käsiohjoin	IPX4
Suojausluokka, moottori	IPX4
Eristysluokka	Luokan II laite, tyyppiä B koskettava osa
Jaksot	10 %, enintään 2 minuuttia / 18 minuuttia
Akun kapasiteetti	2,9 Ah
Manuaalinen hätälaskeminen	Kyllä
Sähköinen hätälaskeminen/-nostaminen	Kyllä/Kyllä
Odotettu käyttöikä	8 vuotta
Nostonopeus	Nostin läpäisee ENISO10535:n nostamisen ja laskemisen nopeuden ( <0,15 m/s maksimilatauksella ja <0,25 m/s lastaamattomana)



\* Vaihtelee lastauksen ja liikkeen mukaan.



# Sommaire

Ce manuel DOIT être remis à l'utilisateur du produit. Lire ce manuel AVANT d'utiliser ce produit, et le conserver en cas de besoin.

<b>1 Généralités</b>	<b>88</b>
1.1 Introduction	88
1.2 Symboles	88
1.3 Utilisation prévue	88
1.3.1 Contre-indications	89
1.4 Éléments inclus	89
1.5 Durée de vie	89
1.5.1 Informations supplémentaires	89
1.6 Informations de garantie	89
1.7 Conformité	89
1.7.1 Normes spécifiques au produit	89
<b>2 Sécurité</b>	<b>90</b>
2.1 Consignes générales	90
2.2 Informations relatives au fonctionnement	90
2.2.1 Généralités	90
2.2.2 Positionnement	90
2.2.3 Mise au rebut	91
2.3 Interférences radio-électriques	91
2.4 Étiquetage du produit	91
<b>3 Réglages (Mise en service)</b>	<b>92</b>
3.1 Sécurité du montage	92
3.2 Montage de l'ensemble du mât au socle	92
3.3 Préparation de l'emploi du lève-personne	92
3.4 Installation de la manette de commande	92
3.5 Fixation au mur du support de montage du chargeur de la batterie	92
<b>4 Utilisation</b>	<b>94</b>
4.1 Introduction	94
4.2 Ouverture/fermeture des pieds	94
4.2.1 Fermeture/ouverture des pieds manuelle	94
4.3 Bloquer/débloquer les roulettes arrière	94
4.4 Élévation et descente du lève-personne	94
4.4.1 Élévation et descente du lève-personne électrique	94
4.5 Activation d'un déverrouillage mécanique d'urgence	95
4.5.1 Déverrouillage d'urgence principal	95
4.5.2 Déverrouillage d'urgence secondaire	95
4.6 Procédure d'arrêt d'urgence	95
4.7 Chargement de la batterie	95
4.7.1 Témoin de batterie	95
4.7.2 Chargement de la batterie à l'aide d'un cordon d'alimentation	96
4.7.3 Chargement de la batterie à l'aide du chargeur de batterie	96
<b>5 Soulèvement du patient</b>	<b>98</b>
5.1 Sécurité du soulèvement	98
5.2 Préparation au soulèvement	98
5.3 Levage du Patient	99
5.4 Transfert du Patient	100
<b>6 Transfert Du Patient</b>	<b>101</b>
6.1 Sécurité du soulèvement	101
6.2 Transfert vers une chaise	101
6.3 Transfert vers un fauteuil roulant	102
6.4 Transfert vers un lit	102
<b>7 Dépannage</b>	<b>103</b>
7.1 Tableau de dépannage	103
<b>8 Maintenance</b>	<b>104</b>
8.1 Liste de vérifications de sécurité	104
8.2 Nettoyage de la sangle et du lève-personne	104
8.3 Réutilisation	105
8.4 Détection de l'usure et des dommages	105
8.5 Lubrification du lève-personnes	105
8.6 Réglage du socle	105
8.7 Remplacement de le vérin électrique	105
8.8 Ajustement de la hauteur du cale-genou	106

## 9 Caractéristiques Techniques . . . . . 107

9.1 Lève-personne verticalisateur RSP350-1E et RPS350-1FR . . . . .	107
---	-----

# 1 Généralités

## 1.1 Introduction

Le présent manuel d'utilisation contient des informations importantes sur la manipulation du produit. Pour garantir une utilisation en toute sécurité du produit, lisez attentivement le manuel d'utilisation et respectez les instructions de sécurité.

Veillez noter que certaines sections du présent manuel d'utilisation peuvent ne pas s'appliquer à votre produit, étant donné que le manuel concerne tous les modèles disponibles (à la date d'impression). Sauf mention contraire, chaque section de ce manuel se rapporte à tous les modèles du produit.

Les modèles et les configurations disponibles dans votre pays sont répertoriés dans le catalogue de tarifs spécifique au pays.

Invacare se réserve le droit de modifier les caractéristiques des produits sans préavis.

Avant de lire ce manuel, assurez-vous de disposer de la version la plus récente. Cette version est disponible au format PDF sur le site Internet d'Invacare.

Si la taille des caractères de la version imprimée du manuel d'utilisation vous semble trop difficile à lire, vous pouvez le télécharger au format PDF sur le site Internet. Vous pourrez alors ajuster la taille des caractères à l'écran pour améliorer votre confort visuel.

Pour obtenir plus d'informations sur le produit, comme les avis de sécurité ou les rappels du produit, contactez votre représentant Invacare local. Reportez-vous aux adresses indiquées à la fin du présent document.

## 1.2 Symboles

Les termes d'avertissement utilisés dans le présent manuel s'appliquent aux risques ou aux pratiques dangereuses qui pourraient provoquer des blessures ou des dommages matériels. Reportez-vous aux informations ci-dessous pour la définition des termes d'avertissement.



### AVERTISSEMENT !

– Avertissement indique une situation potentiellement dangereuse qui, si elle n'est pas évitée, est susceptible de provoquer des blessures graves ou la mort.



### ATTENTION !

– Attention indique une situation potentiellement dangereuse qui, si elle n'est pas évitée, peut résulter dans des dommages matériels et/ou des blessures légères.



### IMPORTANT

– Indique une situation dangereuse qui, si elle n'est pas évitée, est susceptible de provoquer des dommages matériels.



Donne des conseils, recommandations et informations utiles pour une utilisation efficace et sans souci.



Date de fabrication.



Ce produit est conforme à la Directive 93/42/CEE sur les dispositifs médicaux.

La date de lancement de ce produit est indiquée dans la déclaration de conformité CE.



Lisez le manuel



Alarme sonore lorsque la batterie est faible. Reportez-vous à la section 4.7 *Chargement de la batterie*, page 95.



Verrou de roulette.



Ouvrez/fermez les pieds



Soulevez/abaissez le bras



Arrêt d'urgence



Charge de fonctionnement en sécurité



Équipement de classe II, double isolation



Pièce appliquée de type B



Recyclez ce produit. Reportez-vous à la section 2.2.3 *Mise au rebut*, page 91.

## 1.3 Utilisation prévue



### AVERTISSEMENT !

#### Risque de chute

Le lève-personne mobile Invacare n'est PAS un dispositif de transport. Il est conçu pour transférer une personne d'une surface assise à une autre (par exemple, d'un lit à un fauteuil roulant). Les sangles et accessoires pour lève-personne Invacare sont spécialement adaptés à une utilisation en combinaison avec les lève-personne Invacare.

Pour éviter toute blessure ou toute chute :

- Les patients transférés et positionnés au moyen du lève-patient station debout DOIVENT accepter de coopérer, être cohérents et en mesure de contrôler leur tête et leur cou. Sinon, il existe un risque de blessure.
- Les patients transférés et positionnés au moyen de la sangle station debout DOIVENT être en mesure de supporter une partie importante de leur propre poids. Le non-respect de cette consigne risque de provoquer des blessures ou des dommages matériels. Consultez le manuel d'utilisation de la sangle pour plus d'informations.



Les lève-patient station debout sont des appareils de transfert alimentés par batterie, conçus pour être utilisés dans les situations de levage les plus courantes, comme, par exemple :

- entre le lit et un fauteuil roulant ;
- vers et depuis les toilettes ;

Le lève-patient station debout doit exclusivement s'utiliser pour soulever des patients dont le poids n'excède pas la limite maximum indiquée dans les données techniques.

Le produit est exclusivement conçu pour une utilisation en intérieur.

La sélection des sangles et accessoires appropriés pour chaque individu est capitale pour garantir la sécurité lors de l'utilisation d'un lève-personne. Reportez-vous aux manuels d'utilisation des sangles et des accessoires Invacare pour plus d'informations sur ces dispositifs.

Invacare recommande le transfert du patient sur une chaise de douche ou autre dispositif de bain.

Il est possible de faire tourner (pivoter) le lève-patient station debout sur place pour les transferts dans les espaces réduits.

### 1.3.1 Contre-indications

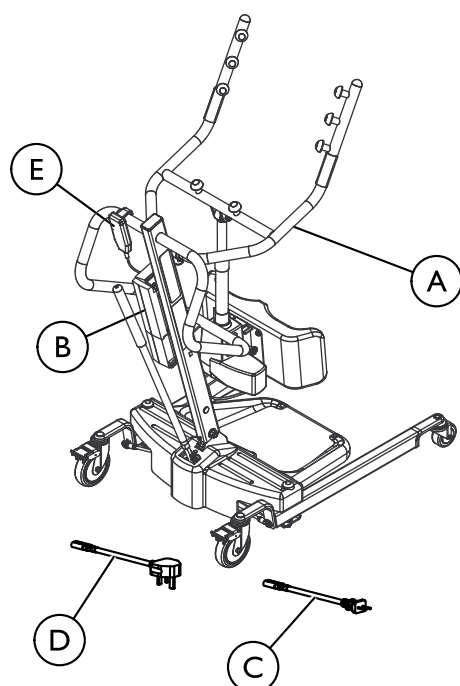
Le lève-patient station debout est contre-indiqué pour les patients qui :

- refusent de coopérer,
- ne sont pas cohérents,
- ne sont pas en mesure de contrôler leur tête et leur cou.

Certaines sangles conçues pour le lève-patient station debout sont contre-indiquées pour les patients qui ne sont pas en mesure de supporter une partie importante de leur poids. Consultez le manuel d'utilisation de la sangle pour plus d'informations.

## 1.4 Éléments inclus

Les éléments répertoriés dans les tableaux qui suivent sont inclus avec votre système. Les sangles sont vendues séparément. Le chargeur mural peut être vendu séparément.



Item	Description	Quantity
A	Dispositif de levage	1
B	Batterie	1
C	Câble de recharge, EU	1
D	Câble de recharge, RU (RPS350-1E uniquement)	1
E	Télécommande	1
F	Manuel d'utilisation du lève-personne (non représenté)	1

## 1.5 Durée de vie

La durée de vie attendue de ce produit est de huit ans lorsqu'il est utilisé quotidiennement selon l'usage prévu et dans le respect des consignes de sécurité, des intervalles de maintenance, comme indiqué dans le présent manuel. La durée de vie effective peut varier en fonction de la fréquence et de l'intensité de l'utilisation.

### 1.5.1 Informations supplémentaires

La durée de vie théorique repose sur une moyenne estimée de 4 cycles de levage par jour.

## 1.6 Informations de garantie

Nous fournissons une garantie fabricant pour le produit, conformément à nos conditions générales de vente en vigueur dans les différents pays.

Les réclamations au titre de la garantie ne peuvent être adressées qu'au fournisseur auprès duquel le produit a été obtenu.

## 1.7 Conformité

La qualité est un élément fondamental du fonctionnement de notre entreprise, qui travaille conformément à la norme ISO 13485.

Le présent produit porte le marquage CE, en conformité avec la Directive relative aux dispositifs médicaux 93/42/EEC Classe 1.

Nous nous efforçons en permanence de réduire au minimum notre impact sur l'environnement, à l'échelle locale et mondiale.

Nous n'utilisons que des matériaux et composants conformes au règlement REACH.

Nous respectons la législation en vigueur en matière d'environnement, notamment, les directives DEEE et RoHS.

### 1.7.1 Normes spécifiques au produit

Ce produit a été testé et il est conforme à la norme ISO 10535 (Produits d'assistance pour personnes en situation de handicap) et à toutes les normes associées.

Pour des informations complémentaires sur les normes et réglementations locales, contactez un représentant Invacare. Reportez-vous aux adresses indiquées à la fin du présent document.

## 2 Sécurité

### 2.1 Consignes générales



#### AVERTISSEMENT !

- N'utilisez PAS ce produit ou tout autre équipement disponible en option sans avoir lu et compris entièrement ces instructions et toute autre documentation supplémentaire, telle que les manuels d'utilisation, les manuels d'entretien ou fiches d'instructions fournis avec ce produit ou l'équipement en option. Si vous ne comprenez pas les avertissements, mises en garde ou instructions, contactez un professionnel de santé, revendeur ou technicien avant d'essayer d'utiliser cet équipement, sous peine de dommages corporels ou matériels.

#### AVERTISSEMENT RELATIF AUX ACCESSOIRES

- Les produits Invacare sont spécialement conçus et fabriqués pour être utilisés en combinaison avec les accessoires Invacare.



#### AVIS

- Les informations contenues dans ce document peuvent être modifiées sans préavis.

Vérifiez l'absence de dommages dus au transport sur toutes les pièces avant utilisation. Si les pièces sont endommagées, N'UTILISEZ PAS l'appareil. Contactez le revendeur ou le représentant Invacare pour connaître la marche à suivre.

### 2.2 Informations relatives au fonctionnement

Cette section du manuel fournit des informations de sécurité générales en rapport avec votre produit. Pour des informations de sécurité spécifiques, reportez-vous à la section correspondante du manuel et aux procédures indiquées dans cette section. Pour connaître les informations de sécurité en rapport avec le montage du lève-personne, par exemple, reportez-vous à la section 3 Réglages (*Mise en service*), page 92.

### 2.2.1 Généralités



#### AVERTISSEMENT !

##### Risque de chute

- NE tentez JAMAIS de transfert d'un patient sans l'accord de son médecin, de l'infirmier ou de l'assistant médical. Lisez attentivement les instructions contenues dans le présent manuel d'utilisation, observez une équipe d'experts lors des procédures de soulèvement et exécutez l'ensemble de cette procédure plusieurs fois sous supervision avec un individu en bonne santé jouant le rôle du patient.
- Utilisez votre bon sens lors des procédures de levage. Une attention particulière DOIT être apportée aux personnes souffrant de handicaps, car elles ne seront pas en mesure de coopérer lors des opérations de soulèvement.
  - Utilisez toujours la poignée de manœuvre de la potence pour pousser ou tirer le lève-personne.
  - Vérifiez les attaches de la sangle chaque fois qu'une sangle est retirée et remplacée, afin de vous assurer qu'elle est bien fixée avant de déplacer le patient à partir d'un objet stationnaire (lit, chaise ou chaise d'aisance).



#### AVERTISSEMENT !

##### Risque de blessures ou de dommages matériels

- Certaines surfaces peuvent entraîner une instabilité du lève-personne et provoquer des blessures ou des dommages. Le lève-personne peut s'utiliser dans une douche ou une salle de bains, mais une humidité excessive risque de l'endommager et d'entraîner des blessures.
- Évitez d'utiliser le lève-personne sur une pente. Invacare recommande d'utiliser le lève-personne sur des surfaces planes exclusivement.
  - NE faites PAS rouler la base à roulettes sur des surfaces irrégulières susceptibles de faire basculer le lève-personne.
  - N'utilisez PAS le lève-personne dans une douche ou une salle de bains ou dans un environnement soumis à une humidité prolongée.
  - Veillez à bien sécher le lève-personne après utilisation.
  - NE rangez PAS le lève-personne dans un endroit humide ou s'il n'est pas parfaitement sec. Consultez les pages de température de stockage, d'humidité et de pression indiquées à la section 7.1 *Tableau de dépannage*, page 103
  - Assurez-vous régulièrement qu'aucun des composants du lève-personne ne présente de traces de corrosion. Remplacez toutes les pièces usées ou endommagées.

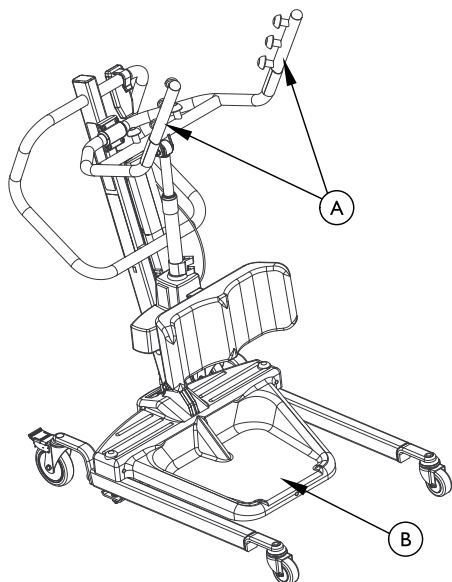
### 2.2.2 Positionnement



#### AVERTISSEMENT !

##### Risque de blessure

- Ne JAMAIS oublier l'existence des bras de levage; autrement, le patient et/ou la tierce pourraient se blesser.
- Ne JAMAIS oublier le repose-pieds, surtout la position du patient sur le repose-pieds; sinon le patient et/ou la tierce pourraient se blesser.



- i (A) = Bras de levage  
(B) = Repose-pieds

### 2.2.3 Mise au rebut



#### AVERTISSEMENT ! Risque pour l'environnement

Ce produit a été fourni par un fabricant conscient des enjeux environnementaux qui respecte les normes de la Directive 2012/19/UE sur les déchets d'équipements électriques et électroniques (DEEE).

L'appareil contient des batteries plomb-acide. Ce produit peut contenir des substances nuisibles à l'environnement s'il est jeté dans un endroit (décharge) non conforme à la législation en vigueur.

- NE JETEZ PAS les batteries avec les déchets ménagers. Vous DEVEZ les porter dans un site prévu à cet effet. Contactez votre organisme local de traitement des déchets pour plus d'informations.
- Préservez l'environnement en faisant recycler ce produit en fin de vie.

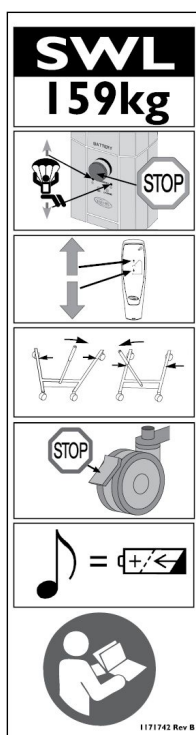
### 2.3 Interférences radio-électriques



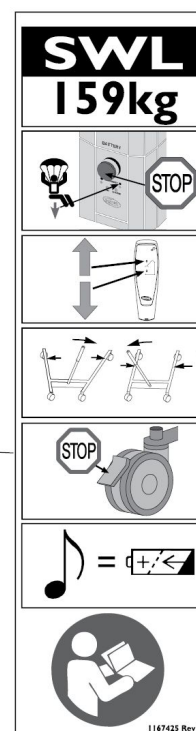
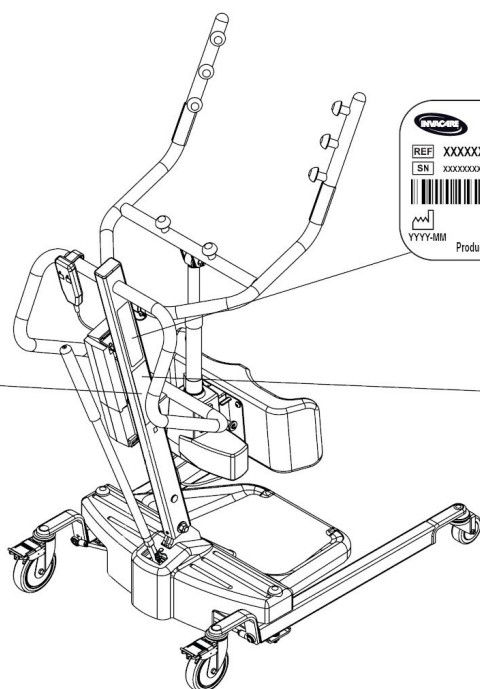
#### AVERTISSEMENT !

- La plupart des équipements électroniques sont soumis à des interférences radio-électriques. Soyez PRUDENT si vous utilisez un équipement de communication portable à proximité d'un tel équipement. Si les interférences radio-électriques provoquent une instabilité, METTEZ IMMÉDIATEMENT l'interrupteur ROUGE en position OFF (arrêt). NE remettez PAS l'interrupteur en position ON (marche) pendant la réception du signal.

### 2.4 Étiquetage du produit



RPS350-IFR



RPS350-I-E

## 3 Réglages (Mise en service)

### 3.1 Sécurité du montage



#### AVERTISSEMENT !

#### Risque de blessure

Un montage inadéquat est susceptible d'entraîner des blessures ou des dégâts matériels.

- Le montage DOIT être confié à un technicien qualifié.
- Seules des pièces Invacare doivent être utilisées pour le montage de ce lève-personne. Les composants du lève-personne sont fabriqués selon des caractéristiques techniques assurant un alignement précis de toutes les pièces afin d'assurer un fonctionnement sûr.
- NE serrez PAS excessivement le matériel de fixation. Vous risqueriez d'endommager le support de montage.



Le montage du lève-personne ne nécessite aucun outil.

En cas de problème ou de question lors du montage, adressez-vous à un représentant Invacare local. Vous trouverez l'ensemble des coordonnées au dos de ce manuel.

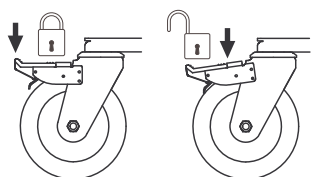
### 3.2 Montage de l'ensemble du mât au socle



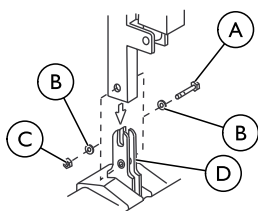
#### AVERTISSEMENT !

- Utilisez uniquement des pièces d'Invacare pour l'assemblage de ce lève-personne. Les pieds du socle, le mât, la perche, l'assemblage de la pompe et la barre oscillante sont fabriqués selon les spécifications assurant l'alignement correct de toutes les pièces pour un fonctionnement efficace en toute sécurité.

DETAIL A



DETAIL B



Ⓐ Boulon de blocage à six pans

Ⓒ Écrou

Ⓑ Rondelle

Ⓓ Support de assemblage



L'ensemble du mât peut être retiré du socle pour l'entreposer ou le transporter. L'ensemble du mât DOIT être correctement fixé à l'assemblage du socle avant l'utilisation.

1. Placez le socle sur le sol.



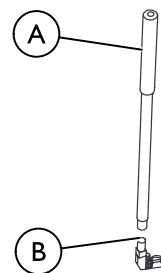
Assurez-vous que les quatre roulettes sont toutes en contact avec le sol.

2. Bloquez les deux roulettes arrière. Consultez le détail " A ".
3. Retirez le boulon de blocage à six pans, les rondelles et l'écrou situés dans la partie découpée en U du socle.
4. Mettez le mât en position verticale.
5. Abaissez le mât sur le support de montage.
6. Fixez le mât au socle à l'aide du boulon de blocage à six pans, des rondelles et de l'écrou. Resserrez solidement.

### 3.3 Préparation de l'emploi du lève-personne

Examinez et resserrez toute la visserie AVANT l'utilisation.

### 3.4 Installation de la manette de commande

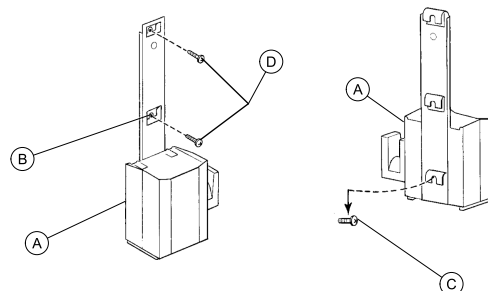


Ⓐ Manette de commande

Ⓑ Adaptateur mâle en socle

1. Retirez la manette de commande du carton d'emballage.
2. Vissez la poignée sur l'adaptateur mâle du socle.

### 3.5 Fixation au mur du support de montage du chargeur de la batterie



Reportez-vous à la réglementation locale pour connaître les procédures de montage appropriées.

Cette procédure ne s'applique qu'au modèle RPS350-1E.

1. Placez le chargeur avec son support de montage Ⓐ sur le mur, dans la position souhaitée.
2. À l'aide d'un crayon, faites une marque au centre du trou Ⓑ .

3. Mesurez 16,5 cm à partir du trait de crayon et percez un trou de montage.
4. Installez la vis de montage inférieure © jusqu'à obtenir un écart d'environ 3 mm entre la tête de la vis et le mur.
5. Installez le chargeur de batterie et son support de montage au niveau de la vis de montage inférieure.
6. Percez les deux autres trous de montage.
7. Installez les deux autres vis de montage Ⓣ dans le support de montage et dans le mur. Vissez à fond.
8. Branchez le chargeur de batterie dans la prise murale.




La LED ON (mise sous tension) s'allume.

## 4 Utilisation

### 4.1 Introduction

L'utilisation du lève-personne est simple et sans danger.

 Avant d'utiliser le lève-personne pour un patient, reportez-vous aux procédures suivantes pour connaître les informations et instructions de sécurité à respecter :

- 2.2 Informations relatives au fonctionnement, page 90
- 5.3 Levage du Patient, page 99

### 4.2 Ouverture/fermeture des pieds



#### AVERTISSEMENT !


#### Risque de blessure

Le lève-personne risque de basculer et de mettre le patient et les assistants en danger.

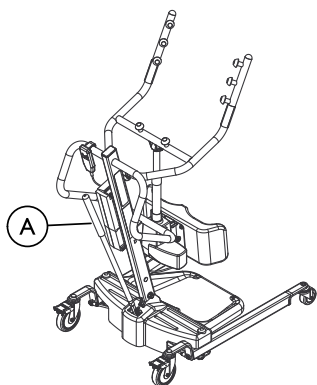
- Les pieds du lève-personne doivent être complètement ouverts afin d'assurer une stabilité et une sécurité optimales. Si vous devez fermer les pieds du lève-personne pour placer le lève-personne sous un lit, fermez-les aussi longtemps que nécessaire pour positionner l'appareil et soulever le patient hors du lit. Lorsque les pieds du lève-personne ne se trouvent plus sous le lit, ouvrez-les complètement à nouveau.

#### 4.2.1 Fermeture/ouverture des pieds manuelle

Le levier de commande permet d'ouvrir ou de fermer les pieds de la base afin de garantir la stabilité lors de l'élévation du patient.

 Reportez-vous aux informations de sécurité indiquées dans la section 4.2 *Ouverture/fermeture des pieds*, page 94 avant d'exécuter cette procédure.

Ⓐ = Manette de commande



1. Pour fermer les pieds :  
Tirez sur la manette vers l'EXTÉRIEUR (OUT) du lève-personne verticalisateur, puis vers votre GAUCHE jusqu'à ce qu'elle se BLOQUE dans l'encoche du support.



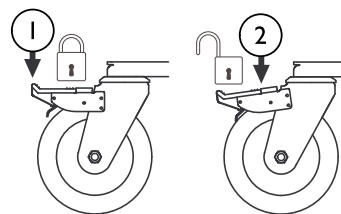
La gauche est déterminée en se tenant derrière le lève-personne verticalisateur, vers les roulettes avant.

2. Pour ouvrir les pieds :  
Tirez sur la manette de commande vers l'EXTÉRIEUR (OUT) du dispositif de verticalisation, puis vers votre DROITE jusqu'à ce qu'elle se BLOQUE dans l'encoche du support.



REMARQUE: La droite est déterminée en se tenant derrière le lève-personne verticalisateur, vers les roulettes avant.

### 4.3 Bloquer/débloquer les roulettes arrière



1. Appuyez ici pour verrouiller
2. Appuyez ici pour déverrouiller

### 4.4 Élévation et descente du lève-personne



#### AVERTISSEMENT !

#### Risque de blessure

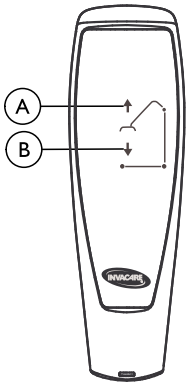
Le lève-personne risque de basculer et de mettre le patient et les assistants en danger.

- Invacare recommande que les roulettes arrière soient déverrouillées lors du soulèvement du patient pour permettre la stabilité du lève-personne lorsque le patient est soulevé à partir d'une chaise, d'un lit ou d'un emplacement fixe.


#### 4.4.1 Élévation et descente du lève-personne électrique



Reportez-vous aux informations de sécurité indiquées dans la section 4.4 *Élévation et descente du lève-personne*, page 94 avant d'exécuter cette procédure.



1. Pour élever le lève-personne : appuyez sur le bouton Flèche haut ① et maintenez-le enfoncé pour élever le bras et le patient.
2. Pour faire descendre le lève-personne : appuyez sur le bouton Flèche bas ② et maintenez-le enfoncé pour faire descendre le bras et le patient.

 Relâchez le bouton pour arrêter l'élévation ou la descente du lève-personne.

## 4.5 Activation d'un déverrouillage mécanique d'urgence

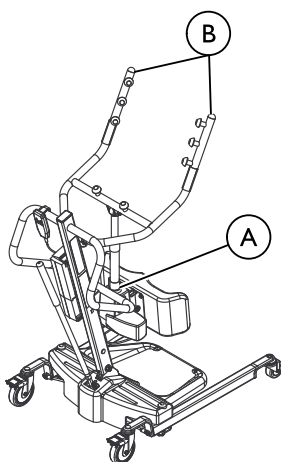
Le lève-personne est équipé de deux types de déverrouillages mécaniques d'urgence : un déverrouillage principal et un déverrouillage secondaire.

### 4.5.1 Déverrouillage d'urgence principal




1. Insérez un stylo dans le trou en regard de « Urgence Flèche haut » ① ou « Urgence Flèche bas » ② du boîtier de commande ③.

### 4.5.2 Déverrouillage d'urgence secondaire



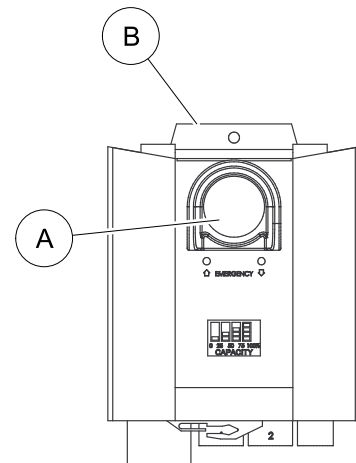
① Poignée de secours ROUGE	② Bras de levage
----------------------------	------------------

 Il est recommandé d'utiliser le déverrouillage d'urgence principal. Le déverrouillage d'urgence secondaire n'est qu'un dispositif de secours du déverrouillage principal.

Le déverrouillage d'urgence secondaire peut être utilisé lorsque le déverrouillage principal ne fonctionne pas ou n'est pas disponible.

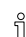
1. Tirez la poignée d'URGENCE ① tout en appuyant simultanément sur les bras de levage ②.

## 4.6 Procédure d'arrêt d'urgence



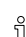
1. Appuyez sur le bouton ROUGE ① du boîtier de commande ② pour arrêter l'élévation ou la descente du bras et du patient.
2. Pour réinitialiser, tournez le bouton d'urgence dans le sens des aiguilles d'une montre.

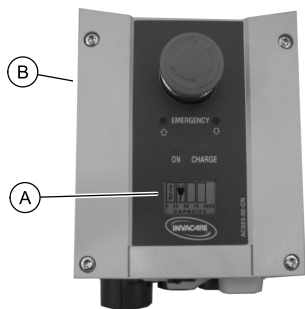
## 4.7 Chargement de la batterie

 Invacare recommande de charger la batterie chaque jour afin de prolonger sa durée de vie.

Il existe deux méthodes différentes pour charger la batterie. L'une d'entre elles emploie un cordon d'alimentation se connectant au boîtier de commande; pour l'autre, il faut que la batterie soit montée sur le chargeur de la batterie. Suivez la procédure appropriée pour charger la batterie de votre lève-personnes.

### 4.7.1 Témoin de batterie

 Cette procédure ne s'applique qu'au modèle RPS350-1FR.



Le témoin de batterie ① se trouve sur le boîtier de commande ②. Les LED indiquent l'état de la batterie :

Témoin de batterie de l'unité centrale ①	État de la batterie	Description
	Charge complète (100%)	La batterie n'a pas besoin d'être rechargée (charge comprise entre 100 %)
	Charge partielle (75 %)	La batterie n'a pas besoin d'être rechargée (charge comprise entre 75 %)
	Charge partielle (50 %)	La batterie a besoin d'être rechargée (charge inférieure à 50 %).
	Charge insuffisante (25%)	La batterie a besoin d'être rechargée (charge inférieure à 25 %). Un signal sonore est émis lorsque vous appuyez sur un bouton.
	Charge insuffisante (0%)	La batterie a besoin d'être rechargée.  Certaines des fonctionnalités du lève-personne ne sont plus accessibles et seul l'abaissement du bras est possible.  Une alarme sonore se déclenche (le klaxon émet un signal) lorsque la batterie est faible. Si le signal d'alarme se déclenche au cours d'un transfert, terminez le transfert, puis rechargez la batterie.

#### 4.7.2 Chargement de la batterie à l'aide d'un cordon d'alimentation



Cette procédure ne s'applique qu'aux modèles RPS350-1FR.

① = Le câble du chargeur se raccorde ici.



#### ATTENTION !

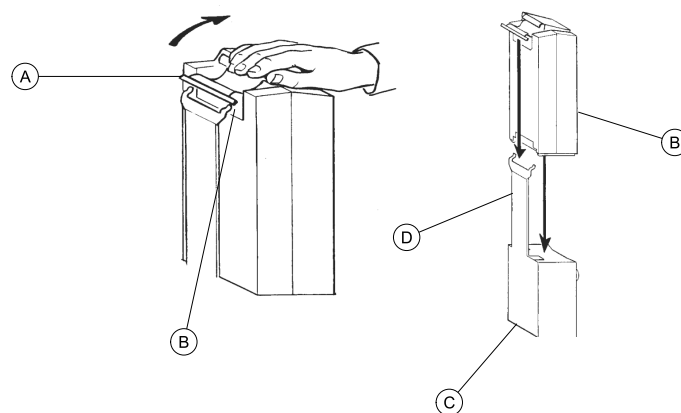
– L'arrêt d'urgence ne DOIT PAS être actionné – sans quoi, il est impossible de charger la batterie. Pendant le chargement, le lève-personne ne peut pas être utilisé. NE tentez PAS de déplacer le lève-personne sans avoir débranché le cordon d'alimentation de la prise murale. NE tentez PAS d'utiliser le lève-personne si le boîtier de la batterie est endommagé. Remplacez un boîtier endommagé avant toute nouvelle utilisation.

1. Connectez le cordon d'alimentation au boîtier de commande.
2. Branchez le cordon d'alimentation dans une prise de courant.

La batterie se charge en 4 heures environ. Le chargement doit être effectué dans une pièce bien ventilée.

3. Déconnectez le cordon d'alimentation de la prise de courant quand la batterie est complètement chargée.

#### 4.7.3 Chargement de la batterie à l'aide du chargeur de batterie



Cette procédure ne s'applique qu'au modèle RPS350-1E.

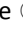
1. Tirez sur la poignée ① à l'arrière de la batterie ②.
2. Soulevez la batterie pour la retirer du boîtier de commande ③.



**ATTENTION !**

Un montage incorrect de la batterie est susceptible d'entraîner des blessures ou des dégâts matériels.

- Assurez-vous qu'un déclic se fait entendre lors du montage de la batterie sur le chargeur pour vous assurer qu'elle est bien en place.

3. Placez la batterie sur le chargeur de batterie  comme indiqué. Assurez-vous qu'un déclic se fait entendre.



La LED de chargement s'allume. Le chargement terminé, la LED s'éteint.

Le rechargement complet d'une batterie exige environ quatre heures.

4. Tirez sur la poignée à l'arrière de la batterie.
5. Soulevez la batterie pour la retirer du chargeur.

**ATTENTION !**

Un montage incorrect de la batterie est susceptible d'entraîner des blessures ou des dégâts matériels.

- Assurez-vous qu'un déclic se fait entendre lors du montage de la batterie sur le boîtier de commande pour vous assurer qu'elle est bien en place.

6. Réinstallez la batterie dans le boîtier de commande comme indiqué. Assurez-vous qu'un déclic se fait entendre.



La batterie doit être installée dans le boîtier de commande et dans le chargeur de batterie comme indiqué.

## 5 Soulèvement du patient

### 5.1 Sécurité du soulèvement



#### AVERTISSEMENT !

- NE PAS dépasser la limitation pondérale du lève-personnes (SWL) de 159 kg.
- NE PAS tenter d'effectuer de transfert sans l'approbation du médecin, de l'infirmière ou de l'assistant médical du patient.
- Gardez TOUJOURS les mains et les doigts éloignés des pièces en mouvement pour éviter les blessures.
- Au cours du transfert, pendant que le patient est suspendu dans la sangle, NE PAS laisser rouler la base du lève-personnes sur des surfaces inégales qui pourraient le rendre instable.
- Utilisez la poignée se trouvant sur l'ensemble du mât EN TOUT TEMPS, pour pousser le lève-personnes ou le tirer.



#### AVERTISSEMENT ! Levage du patient

- Avant de placer les pieds du lève-personnes verticalisateur autour du patient, assurez-vous que ses pieds ne se trouvent pas sur le repose-pieds; autrement, des blessures pourraient survenir.
- Les réglages destinés à la sécurité et au confort doivent être effectués avant de déplacer le patient. Les bras du patient doivent se trouver à l'extérieur des courroies de la sangle.
- Avant de lever le patient d'un objet stationnaire (chaise roulante, chaise d'aisance ou lit), soulevez légèrement le patient hors de l'objet et vérifiez que toutes les courroies de la sangle sont bien attachées. Si ce n'est pas le cas, déposez le patient pour corriger le problème, puis relevez-le à et vérifiez à nouveau.



#### AVERTISSEMENT ! Levage du patient

- Pendant le transfert, tandis que le patient est suspendu dans une sangle attachée au lève-personnes, NE PAS faire circuler les roulettes sur des surfaces irrégulières, ce qui créerait un déséquilibre du lève-personnes et pourrait faire basculer le patient. Utilisez la poignée de commande sur le mât EN TOUT TEMPS pour pousser le lève-personnes ou le tirer.
- Invacare recommande le blocage des roulettes pivotantes UNIQUEMENT en plaçant ou en retirant la sangle (aide à la station debout ou au transfert) du patient.
- Invacare ne recommande PAS de bloquer les roulettes arrière du lève-personnes lorsqu'on soulève une personne; cela pourrait faire basculer le lève-personnes et mettre en danger le patient et ses assistants. Invacare RECOMMANDE que les roulettes arrière ne soient pas bloquées pendant les procédures de levage, afin de permettre au lève-personnes de

se stabiliser quand on commence à soulever le patient d'une chaise, d'un lit ou de tout objet stationnaire.



#### AVERTISSEMENT !

##### Utilisation de la sangle

- Utilisez la sangle recommandée par le médecin, l'infirmière ou l'assistant médical du patient dans l'intérêt du confort et de la sécurité de la personne qui fait l'objet du levage.
- Les personnes qui utilisent la sangle de verticalisation DOIVENT pouvoir supporter la plus grande partie de leur poids ; autrement, des blessures pourraient survenir.
- Les sangles décolorées, déchirées, effilochées ou coupées sont dangereux et leur utilisation peut entraîner des blessures ou des dommages. Jetez IMMÉDIATEMENT toute sangle défectueuse selon ces critères.
- NE PAS modifier les sangles.
- Assurez-vous bien de vérifier les accessoires des sangles chaque fois que ce dernier est retiré et remplacé, afin de garantir qu'il soit correctement attaché avant de déplacer le patient d'un objet stationnaire (lit, chaise ou un fauteuil roulant).
- Si le patient est sur un fauteuil roulant, bloquez les roues afin de bloquer le fauteuil.



#### AVERTISSEMENT !

##### Sangle de sécurité pour la mise en station debout

- NE PAS utiliser cette sangle conjointement avec le lève-personnes comme dispositif de transport. Il est prévu pour transférer une personne d'une surface de repos à une autre (comme d'un lit à un fauteuil roulant).
- Avant de lever le patient, assurez-vous que le bord inférieur de la sangle est placé au bas de son dos et que les bras du patient sont à l'extérieur de la sangle de sécurité.
- La ceinture DOIT être solidement attachée, tout en étant confortable pour le patient; autrement, il pourrait glisser hors de la sangle pendant le transfert et pourrait se blesser.

##### Sangle de transfert

- Avant de lever le patient, assurez-vous que le rebord inférieur de la sangle de transfert soit placé au bas de sa colonne vertébrale et que les bras du patient soient à l'extérieur de la sangle de sécurité.
- NE PAS mettre le patient en station debout complète en utilisant la sangle de transfert; autrement des blessures pourraient survenir.



Pour de plus amples informations, consultez la brochure concernant les sangles.

### 5.2 Préparation au soulèvement



Reportez-vous à la section Sécurité de ce manuel et consultez les informations indiquées dans la section 5.1 *Sécurité du soulèvement*, page 98 avant de continuer, en veillant à tenir compte de toutes les mises en garde.

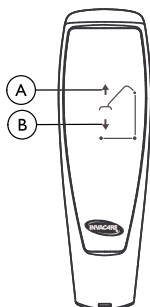
Avant de positionner les pieds du lève-personne sous un lit, assurez-vous que la zone est exempte d'obstacles.



**AVERTISSEMENT !**  
**Risque de blessure**

Le lève-personne risque de basculer et de mettre le patient et les assistants en danger.

- Les pieds du lève-personne doivent être complètement ouverts afin d'assurer une stabilité et une sécurité optimales. Si vous devez fermer les pieds du lève-personne pour placer le lève-personne sous un lit, fermez-les aussi longtemps que nécessaire pour positionner l'appareil et soulever le patient hors du lit. Lorsque les pieds du lève-personne ne se trouvent plus sous le lit, ouvrez-les complètement à nouveau.



Ⓐ Bouton de montée

Ⓑ Bouton de descente

1. Assurez-vous que les pieds du lève-personne verticalisateur se trouvent en position ouverte au maximum. Sinon, utilisez la manette de commande pour ouvrir les pieds.
2. Placez le lève-personne verticalisateur en utilisant la poignée du mât.
3. Appuyez sur le bouton de descente (DOWN) de la télécommande afin d'abaisser les bras de levage pour qu'ils soient faciles à attacher au sangle.

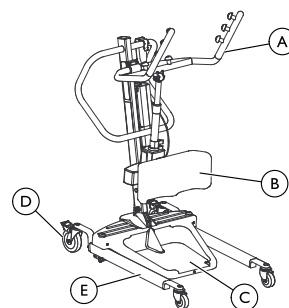
## 5.3 Levage du Patient



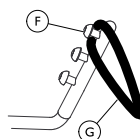
**AVERTISSEMENT !**

- NE PAS dépasser la limitation pondérale du lève-personnes (SWL) de 159 kg.
- Les personnes qui utilisent la sangle de verticalisation DOIVENT pouvoir supporter la plus grande partie de leur poids; autrement, des blessures pourraient survenir.
- NE PAS bloquer les roulettes arrière du lève-personnes verticalisateur pendant le levage d'une personne; cela pourrait faire basculer le lève-personnes et mettre en danger le patient et ses assistants. Le déblocage des roulettes arrière au cours des procédures de levage permet au lève-personnes de se stabiliser au moment où l'on commence à soulever le patient d'un fauteuil roulant, d'un lit ou de tout objet stationnaire.
- NE PAS déplacer le patient si la sangle n'est pas correctement fixée aux points d'attache du lève-personnes verticalisateur.
- Vérifiez que la sangle est correctement raccordée AVANT de lever le patient. Si certains des points d'attache ne sont pas bien en place, corrigez le problème. Quand la sangle a été levée à quelques cm de la surface immobile et avant de déplacer le patient, vérifiez à nouveau pour vous assurer que la sangle et tous les points d'attache soit fermement en place. Si un problème est détecté, redescendez le patient sur la surface immobile et corrigez le problème - autrement, des blessures ou des dommages pourraient survenir.
- Les réglages nécessaires à la sécurité et au confort doivent être effectués avant de déplacer le patient.

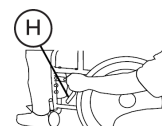
### Détail «A» — LÈVE-PERSONNES VERTICALISATEUR



### Détail «B» — FIXATION DE LA SANGLE



### Détail «C» — BLOCAGE DES ROUES



Ⓐ Poignée

Ⓒ Pied

Ⓑ Cale-genou

Ⓓ Crochets

Ⓒ Repose-pieds	Ⓘ Boucle de la sangle
Ⓕ Roulette arrière	Ⓗ Blocage des roues

1. Donnez au patient la consigne de se tenir aux poignées des deux côtés du lève-personnes verticalisateur (Détail «A»).
2. Donnez au patient la consigne de s'adosser à la sangle en station debout ou de transfert.

**AVERTISSEMENT !**

- Sangle en station debout - Avant de lever le patient, assurez-vous que le rebord inférieur de la sangle de verticalisation soit placé contre le bas du dos du patient et que ses bras sont à l'extérieur de la sangle.
- Sangle de transfert - Avant de lever le patient, assurez-vous que le rebord inférieur de la sangle de transfert se trouve à la base de sa colonne vertébrale et que les bras du patient soient à l'extérieur de la sangle.

3. Assurez-vous des actions suivantes:
  - a. Les genoux du patient s'appuient fermement sur le cale genou.
  - b. Les pieds du patient sont posés correctement sur le repose-pieds.
  - c. Les sangles:
    - Sangle de verticalisation - le rebord inférieur de la sangle est placé sur le bas du dos du patient.
    - Sangle de transfert - le rebord inférieur de la sangle est à la base de la colonne vertébrale du patient.
    - L'un ou l'autre des styles de sangle - les bras du patient sont à l'extérieur de la sangle.
    - les boucles de la sangle sont complètement passées dans les crochets des bras de levage et le clip est bien fermé (Détail «B»).
  - d. Les roulettes arrière sont débloquées.
  - e. Les pieds sont en position ouverte au maximum.

**AVERTISSEMENT !**

- En transférant un patient d'un fauteuil roulant, les roues du fauteuil DOIVENT être bloqués avant d'y installer le patient. Autrement, des blessures pourraient survenir.

4. Lors du transfert depuis un fauteuil roulant, bloquez les roues du fauteuil (Détail «B»).
5. Appuyez sur le bouton de montée (UP) sur la télécommande pour lever le patient au-dessus de la surface (lit, fauteuil roulant, ou chaise). Le poids du patient est entièrement supporté par le lève-personnes verticalisateur (Détail «D»).



Le centre de gravité plus bas favorise la stabilité, ce qui est sécurisant pour le patient, rendant le levage plus facile.

## 5.4 Transfert du Patient

**AVERTISSEMENT !**

- Les pieds du lève-personnes verticalisateur DOIVENT se trouver en position ouverte au maximum pour une stabilité et sécurité maximale. Si le patient est dans une sangle et qu'il devient nécessaire de se déplacer dans un passage étroit, fermez les pieds du lève-personnes verticalisateur le temps qu'il faut pour sortir du passage. Une fois que le lève-personnes verticalisateur est sorti du passage, retournez les pieds à leur position ouverte au maximum.
- Pendant le transfert, tandis que le patient est suspendu dans la sangle, NE PAS faire circuler les roulettes sur des surfaces irrégulières, ce qui créerait un déséquilibre du lève-personnes et pourrait le faire basculer. Utilisez la poignée du mât en tout temps pour pousser le lève-personnes ou le tirer.

1. Assurez-vous que les pieds du lève-personnes verticalisateur sont en position d'ouverture maximale. Sinon, appuyez sur le bouton PIEDS OUVERTS (OPEN LEGS) de la télécommande pour ouvrir les pieds au maximum.
2. Éloignez le lève-personnes verticalisateur de la surface où ils se trouvaient.
3. Déplacez lentement le patient jusqu'à la surface voulue.

## 6 Transfert Du Patient

### 6.1 Sécurité du soulèvement



#### AVERTISSEMENT !

- NE PAS dépasser la limitation pondérale du lève-personnes (SWL) de 159 kg.
- NE PAS tenter d'effectuer de transfert d'un patient sans l'approbation du médecin, de l'infirmière ou de l'assistant médical du patient.
- NE PAS déplacer le patient si la sangle n'est pas correctement raccordée aux points d'attache du lève-personnes verticalisateur. Vérifiez que la sangle soit correctement raccordée aux points d'attache avant de lever le patient. Si certains des points d'attache ne sont pas bien en place, corrigez le problème. Quand la sangle a été levée à quelques cm de la surface immobile et avant de déplacer le patient, vérifiez à nouveau pour vous assurer que tous les points d'attache de la sangle soient fermement en place. Si certains points d'attache ne sont pas correctement en place, redescendez le patient sur la surface immobile et corrigez ce problème - autrement, des blessures ou des dommages pourraient survenir.
- Les réglages nécessaires à la sécurité et au confort doivent être effectués avant de déplacer le patient.

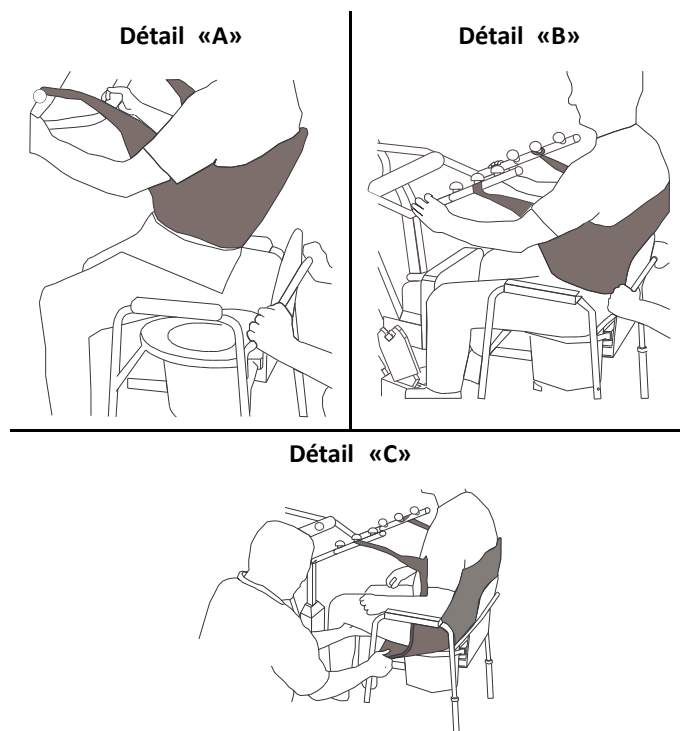


#### AVERTISSEMENT !

- Les bras du patients doivent être positionnés à l'extérieur de la sangle.
- Utilisez la sangle recommandée par le médecin, l'infirmière ou l'assistant médical de la personne pour son confort et sa sécurité.
- NE PAS bloquer les roulettes arrière du lève-personnes verticalisateur pendant le levage d'une personne; cela pourrait faire basculer le lève-personnes et mettre en danger le patient et ses assistants.
- Les pieds du lève-personnes verticalisateur DOIVENT se trouver en position ouverte au maximum pour une stabilité et sécurité maximale. Si le patient est dans une sangle et qu'il devient nécessaire de se déplacer dans un passage étroit, fermez les pieds du dispositif le temps qu'il faut pour sortir du passage. Une fois que le lève-personnes verticalisateur est sorti du passage, retournez les pieds à leur position ouverte au maximum. S'il est nécessaire de fermer les pieds afin de manoeuvrer le lève-personnes verticalisateur sous un lit, fermez les pieds le temps nécessaire à placer le dispositif au-dessus du patient et de le soulever du lit. Quand les pieds du lève-personnes verticalisateur ne sont plus sous le lit, remettez-les en position ouverte au maximum.
- Assurez-vous de bien vérifier les points d'attache de la sangle chaque fois que ce dernier est retiré et remplacé, afin de garantir qu'il est correctement fixé avant que le patient ne soit levée de la surface où il se trouve.

L'emploi d'un seule personne se base sur l'évaluation du professionnel de santé pour chaque cas individuel.

### 6.2 Transfert vers une chaise



#### AVERTISSEMENT !

- Invacare ne recommande le blocage des roulettes pivotantes arrière que lorsqu'on place ou retire la sangle enveloppant le patient.

1. Soulevez le patient depuis le côté du lit.
2. Appuyez sur le bouton de montée (UP) de la télécommande afin d'élever le patient suffisamment pour n'être pas gêné par les bras de une chaise. Son poids est supporté par le lève-personnes verticalisateur.
3. Guidez le patient vers une chaise. Cela peut demander deux personnes.
4. Appuyez sur le bouton de descente pour déposer le patient sur une chaise.
5. Bloquez les roulettes pivotantes arrière sur le lève-personnes verticalisateur.
6. Effectuez l'une des actions suivantes:
  - Sangle en station debout - décrochez la sangle des points d'attache sur le lève-personnes verticalisateur.
  - Sangle de transport -
    - a. Décrochez la sangle des points d'attache inférieurs sur le lève-personnes verticalisateur.
    - b. Levez les jambes du patient et retirez les supports des cuisses d'en-dessous le patient.
    - c. Si vous le désirez, décrochez la sangle des points d'attache supérieurs sur le lève-personnes.
7. Demandez au patient d'enlever les pieds du repose-pieds, ou aidez-le à le faire.
8. Enlevez la sangle enveloppant le patient.

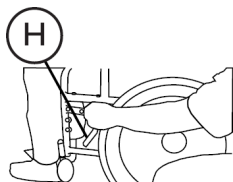


Le patient peut demeurer dans la partie supérieure de la sangle de transfert tout en se servant de la chaise d'aisance.

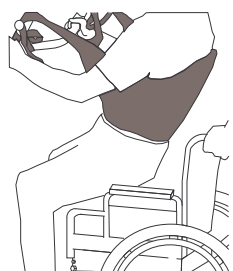
9. Débloquez les roulettes arrière et retirez le lève-personnes verticalisateur de la chaise.
10. Une fois la procédure terminée, vérifiez à nouveau les fixations de la sangle.

### 6.3 Transfert vers un fauteuil roulant

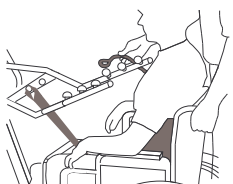
Détail «A»





Détail «B»



Détail «C»



  = Blocage des roues

1. Le patient étant installé dans la sangle, assurez-vous que les pieds du lève-personnes soient en position ouverte.
2. Mettez le fauteuil roulant dans la position voulue.
3. Bloquez les roues de le fauteuil roulant pour l'empêcher de bouger Détail «A».



#### AVERTISSEMENT !

– Ne pas placer le patient dans le fauteuil roulant si les roues ne sont pas bloquées. Les roues DOIVENT être en position bloquée avant de déposer le patient sur le fauteuil roulant pour le transporter. Autrement des blessures pourraient survenir.

4. Placez le patient au-dessus dans le fauteuil roulant (Détail «B»).
5. Appuyez sur le bouton de descente et déposez le patient dans le fauteuil roulant.



#### AVERTISSEMENT !


– Bloquez les roulettes pivotantes arrière UNIQUEMENT en plaçant ou en retirant la sangle (station debout ou transfert) enveloppant le patient. Sinon, des blessures, pourraient survenir.

6. Bloquez les roulettes pivotantes arrière.
7. Décrochez la sangle de tous les points d'attache sur le lève-personnes.
8. Demandez au patient de lever les pieds du repose-pieds. Aidez-le au besoin.
9. Retirez la sangle enveloppant le patient.
10. Débloquez les roulettes arrière et éloignez le lève-personnes verticalisateur du fauteuil roulant.

### 6.4 Transfert vers un lit




Le centre de gravité plus bas favorise la stabilité, ce qui est sécurisant pour le patient, rendant le levage plus facile.

1. Placez le patient aussi près du centre du lit que possible.
  -  Si le patient est transféré à partir d'une surface plus basse que le lit, appuyez sur le bouton de montée pour lever le patient au-dessus de la surface du lit. Le patient doit être levée juste assez pour être au-dessus du lit, et son poids est supporté entièrement par le lève-personnes.
2. Appuyez sur le bouton de descente et déposez le patient sur le lit.



#### AVERTISSEMENT !


– Invacare recommande de bloquer les roulettes pivotantes arrière UNIQUEMENT pendant qu'on place ou qu'on enlève la sangle enveloppant le patient.

3. Bloquez les roulettes pivotantes arrière.
4. Décrochez la sangle de station debout ou de transport de tous les points d'attache sur le lève-personnes verticalisateur.
5. Demandez au patient d'enlever les pieds du repose-pieds.
  -  Aidez le patient au besoin.
6. Enlevez la sangle enveloppant le patient.
7. Débloquez les roulettes pivotantes arrière et éloignez le lève-personnes du lit.

## 7 Dépannage

### 7.1 Tableau de dépannage

SYMPTÔMES	DÉFAUTS	SOLUTIONS
Les pivots produisent des sons bruyants ou secs	Il faut procéder à la lubrification	Consultez <i>8.5 Lubrification du lève-personnes, page 105</i>
Le vérin électrique ne répond pas quand on appuie sur le bouton	La télécommande ou le connecteur de le vérin est	Branchez le connecteur de la télécommande ou du vérin. Assurez-vous que les connecteurs sont correctement installés et branchés.
	La batterie est faible	Chargez les batteries. Consultez <i>4.7 Chargement de la batterie, page 95.</i>
	Le bouton ROUGE d'arrêt d'urgence est APPUYÉ	Tournez le bouton ROUGE d'arrêt d'urgence dans le SENS HORAIRE jusqu'à ce qu'il se ferme.
	La batterie n'est pas connectée correctement au boîtier de commande	Reconnectez la batterie au boîtier de commande. Consultez <i>4.7 Chargement de la batterie, page 95.</i>
	Les bornes de raccordement sont endommagées	Remplacez la batterie. Consultez <i>4.7 Chargement de la batterie, page 95.</i>
	Le vérin électrique a besoin d'entretien ou la charge est trop élevée	Consultez <i>8.7 Remplacement de le vérin électrique, page 105</i> Contactez votre revendeur Invacare.
Bruit inhabituel provenant du vérin.	Il faut un poids minimum aux bras de levage pour descendre de la position la plus élevée.	Refer to <i>8.7 Remplacement de le vérin électrique, page 105</i> Contactez votre revendeur Invacare.
Les bras de levage ne descendent pas de la position la plus élevée.	Les vérins des pieds sont peut-être usés ou endommagés ou la tige est déformée.	Tirez légèrement vers le bas sur les bras de levage.
Les pieds ne s'ouvrent ni ne se ferment correctement.	Un réglage de la base est peut-être nécessaire	Consultez <i>8.6 Réglage du socle, page 105</i>

 Si les problèmes ne sont pas résolus en suivant les suggestions ci-dessus, veuillez contacter votre concessionnaire ou Invacare.

## 8 Maintenance

### 8.1 Liste de vérifications de sécurité



#### AVERTISSEMENT !

- L'entretien DOIT être confié à un technicien qualifié.
- Si des pièces sont remplacées, une personne compétente doit s'assurer que la force et la stabilité du produit restent adéquates pour l'ensemble des tâches.
- NE pas TROP serrer la visserie d'assemblage. Cela endommagerait les supports de fixation.



Respectez les procédures d'entretien décrites dans ce manuel afin que votre lève-personnes continue à fonctionner sans interruption.

Le lève-personnes Invacare est conçu pour une prestation de service efficace et satisfaisante, en toute sécurité et avec un minimum de soins et d'entretien.

Toutes les pièces du lève-personnes Invacare sont fabriquées à partir des meilleures qualités d'acier; toutefois le frottement des métaux finit par les user à la suite d'une longue utilisation.

Il n'existe pas d'ajustement ou d'entretien des roulettes, à part le nettoyage, la lubrification et le contrôle des boulons des essieux et des pivots pour s'assurer qu'ils sont bien serrés. Enlevez tous les débris, etc. des parties en contact avec les roulettes et les pivots.

Si certaines pièces sont usées, remplacez-les IMMÉDIATEMENT.

Si vous avez des doutes sur l'une des pièces de ce lève-personnes, contactez immédiatement votre revendeur Invacare.

L'entretien régulier des lève-personnes et des accessoires est nécessaire afin d'assurer un fonctionnement correct.

Après les 12 premiers mois de fonctionnement, examinez l'usure de tous les points d'articulation et des attaches. Si le métal est usé, les pièces DOIVENT être remplacées. Effectuez cette inspection tous les six mois par la suite.

Date d'inspection :	Initiales :
<b>BASE À ROULETTES</b> <ul style="list-style-type: none"> <li><input type="checkbox"/> Assurez-vous qu'il ne manque aucune pièce.</li> <li><input type="checkbox"/> La base s'ouvre/se ferme facilement.</li> <li><input type="checkbox"/> Vérifiez que les roulettes et les boulons de fixation sont bien serrés.</li> <li><input type="checkbox"/> Assurez-vous que les roulettes pivotent et tournent de façon régulière.</li> <li><input type="checkbox"/> Inspectez les roues et délogez les débris.</li> <li><input type="checkbox"/> Assurez-vous que les axes pivotants ne sont pas usés.</li> </ul>	
<b>SANGLES ET ÉQUIPEMENT</b> <ul style="list-style-type: none"> <li><input type="checkbox"/> Vérifiez toutes les attaches de la sangle avant chaque utilisation afin de vous assurer qu'elles sont bien en place et que le patient est en sécurité.</li> <li><input type="checkbox"/> Assurez-vous que les sangles ne sont pas usées.</li> <li><input type="checkbox"/> Assurez-vous que les courroies ne sont pas usées.</li> <li><input type="checkbox"/> Vérifiez les coutures.</li> </ul>	

#### VÉRIN ÉLECTRIQUE

- Assurez-vous de l'absence de fuites.
- Vérifiez les pièces du mât, de la flèche et de la base.
- Assurez-vous de l'absence d'usure ou de détérioration. Si les pièces sont endommagées, renvoyez-les en usine.
- Mettez le vérin en marche afin de vous assurer qu'il fonctionne régulièrement et en silence.

#### LES BRAS DE LEVAGE ET LE RACCORDEMENT

- Contrôler tout le matériel et les points d'attache.
- Contrôle des coudes et des déflexions.
- Contrôle des raccords boulonnés des bras de levage pour en vérifier l'usure.
- Contrôle pour s'assurer que les bras de levage sont bien centrés entre les pieds du socle.
- Assurez-vous que les axes pivotants ne sont pas usés.
- Assurez-vous que les crochets de la sangle ne sont ni usés ni pliés.

#### MÂT

- Le mât doit être correctement fixé à la flèche.
- Assurez-vous de l'absence de courbures ou pliures.
- Assurez-vous que les axes pivotants ne sont pas usés.

#### NETTOYAGE

- Au besoin.

### 8.2 Nettoyage de la sangle et du lève-personne



#### AVERTISSEMENT !

- Après chaque nettoyage (selon les consignes indiquées sur la sangle), examinez la sangle pour vous assurer qu'il n'y a pas d'usure, de déchirures et de coutures qui se défont. Jetez IMMÉDIATEMENT toute sangle défectueuse selon ces critères.

#### Nettoyage de la sangle

La sangle doit être lavé régulièrement à l'eau, à une température ne dépassant pas 95 °C (203 °F) et dans une solution biologique. Consultez les instructions de lavage indiquées dans le manuel d'utilisation de la sangle.

#### Nettoyage et désinfection du lève-patient

Afin d'éviter les infections croisées, il convient de nettoyer et de désinfecter le lève-patient après chaque usage.

Il faut seulement un chiffon doux, humecté d'eau et un peu de détergent dilué pour nettoyer le lève-personnes. On peut le nettoyer avec des détergents non-abrasifs.

N'utilisez jamais de solvants ni de produits acides ou alcalins pour nettoyer le lève-patient. Essuyez bien le lève-patient après l'avoir nettoyé.

Les différentes pièces, les moteurs et le module de commande risquent d'être endommagés si les instructions de nettoyage ci-dessus ne sont pas respectées.

Essayez ce lève-patient avec un chiffon humidifié de désinfectant ménager courant. Utilisez uniquement des détergents désinfectants agréés par votre établissement.



### 8.3 Réutilisation

Ce produit peut être réutilisé. Le nombre maximal de réutilisations possibles dépend de son état. Afin d'éviter la transmission des infections, il convient de nettoyer le lève-personne et les sangles après chaque utilisation. Avant toute réutilisation ou tout recyclage du lève-personne, reportez-vous à la section 8.2 *Nettoyage de la sangle et du lève-personne*, page 104. Fournissez toujours le manuel d'utilisation avec le lève-personne réutilisé ou recyclé.

### 8.4 Détection de l'usure et des dommages

Il est important d'examiner toutes les pièces subissant des tensions, comme les sangles, bras de levage et pivots des sangles et d'y rechercher des signes de déchirures, d'effilochage, de déformation ou de détérioration. Remplacez toutes pièces défectueuses IMMÉDIATEMENT et assurez-vous que le lève-personne n'est pas utilisé jusqu'à ce que les réparations aient été effectuées.

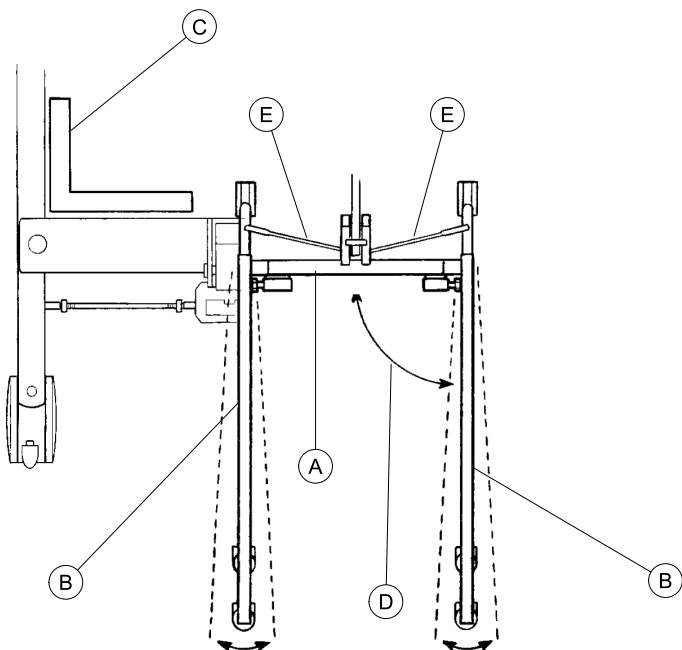
### 8.5 Lubrification du lève-personne

Le lève-personne Invacare est conçu pour un entretien minimum. Toutefois, une vérification et lubrification au bout de six mois devraient assurer une sécurité et fiabilité à long terme.

Gardez le lève-personne et les sangles propres et en bon état. Tout défaut doit être noté et signalé à votre revendeur dès que possible.

Les roulettes DOIVENT pivoter et rouler facilement. Une graisse légère (un lubrifiant automobile imperméable) peut être appliquée au pivot à roulement à billes des roulettes une fois par an. Appliquez-la plus fréquemment si les roulettes sont exposées à des conditions d'humidité extrêmes.

### 8.6 Réglage du socle



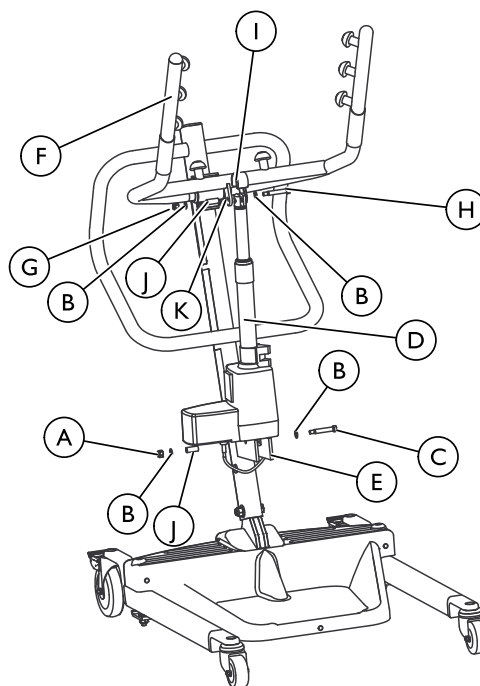
Le réglage de la base (A) n'exige aucun autre réglage que celui des tiges de liaison.

**!** Vous risquez d'endommager le lève-personne.  
– L'actionneur de pied doit être en position fermée avant le réglage des tiges de liaison.

1. Fermez complètement les pieds. Reportez-vous à la section 4.2.1 *Fermeture/ouverture des pieds manuelle*, page 94.
2. Vérifiez la perpendicularité des pieds (B) lorsqu'ils sont en position fermée.
3. Placez une équerre (C) à l'intérieur des pieds et de la base afin de déterminer l'alignement à 90° (D).
4. Réglez les tiges de liaison (E) jusqu'à obtention d'un alignement à 90°.

**!** Vous risquez d'endommager le lève-personne.  
– Lors du réglage des tiges de liaison, veillez à ce que l'alignement des pieds NE soit PAS inférieur à 90°.

### 8.7 Remplacement de le vérin électrique



(A) Écrou inférieur	(G) Écrou supérieur
(B) Rondelle	(H) Boulon
(C) Boulon à épaulement	(I) Support
(D) Vérin électrique	(J) Bague
(E) Support de montage du mât	(K) Support de montage du bras de levage
(F) Bras de levage	



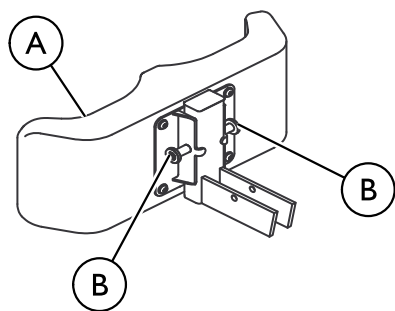
#### AVERTISSEMENT !

– NE PAS trop serrer la visserie de montage car cela endommagerait les supports de montage.

1. Retirez l'écrou inférieur, la rondelle et le boulon à épaulement fixant le vérin électrique au support de montage du mât.
2. Posez le bras de levage sur votre épaule et retirez l'écrou supérieur, le boulon, le support et la bague (le cas échéant) du support de montage du bras de levage.

3. Retirez le vérin électrique.
4. Inversez les ÉTAPES 1-3 pour installer le nouvel vérin électrique.

## 8.8 Ajustement de la hauteur du cale-genou




Ⓐ Cale-genou

Ⓑ Goupille d'ajustement



### AVERTISSEMENT !

- NE JAMAIS ajuster le cale-genou pendant que le patient est debout.
- NE JAMAIS ajuster le cale-genou pendant que le lève-personne est en mouvement.
- Assurez-vous TOUJOURS que les goupilles d'ajustement sont enclenchées dans les orifices de la hauteur correspondante avant l'utilisation.

1. Choisissez une hauteur qui sera confortable pour le patient tout en lui offrant le support nécessaire.
  -  Le cale-genou doit être placé afin que le genou soit en contact avec ce coussinet protecteur.
2. En utilisant les deux mains, tirez les deux goupilles d'ajustement vers l'extérieur en même temps.
3. Placez le cale-genou à la hauteur voulue et insérez les goupilles d'ajustement dans les orifices correspondants.
4. Vérifiez que les deux goupilles sont bien enclenchées.

## 9 Caractéristiques Techniques

### 9.1 Lève-personne verticalisateur RSP350-1E et RPS350-1FR

Hauteur au raccordement du sangle - MAXIMUM	168 cm
Hauteur au raccordement du sangle - MINIMUM	102 cm
Largeur au niveau du socle OUVERT	94 cm
Hauteur au niveau du socle FERMÉ	66 cm
Hauteur du socle (intervalle)	11,5 cm
Longueur du socle	90 cm
Hauteur totale	125 cm
Longueur totale	99 cm
Largeur totale	65,5 cm
Dimensions des roulettes (AVANT/ARRIÈRE)	8 cm / 13 cm
Options pour le sangle	Position debout ou de transfert
Matère du sangle	Polyester
Capacité maximum de levage (SWL) (patient + sangle)	159 kg
Poids total (hors du carton d'emballage)	49 kg
Batterie (tension de sortie)	24V CC mb max. 240VA (RCHBL)
Tension d'entrée du chargeur (alimentation)	100-240V CC ~ 50/60 Hz
Tension de sortie/temps de charge	29,5V DC 2,9 Ah 6 heures Max
Avertisseur audio-visuel du niveau faible de la batterie	Oui
Dispositifs de sécurité du moteur	Anti-coincement

*Nombre approximatif de levages par charge	*100-200 Cycles par charge
Entrée Max du courant	Max. 400 mA
Température de fonctionnement	5 à 40° C
Humidité ambiante	20 à 90% @ 30 sans condensation
Pression sonore	< 50 dB
Pression atmosphérique	700 à 1060 hPa
Température de stockage	supérieure à 0 °C
Humidité de stockage	inférieure à 60 %
Pression atmosphérique de stockage	de 700 hPa à 1 060 hPa
Degré de protection, bloc de réglage	IPX4
Degré de protection, télécommande	IPX4
Degré de protection, moteur	IPX4
Classe d'isolement	Équipement de classe II, Type B Pièce appliquée de type B
Fonctionnement intermittent	10%, max, 2 minutes / 18 minutes
Capacité de la batterie	2,9 Ah
Descente manuelle d'urgence	Oui
Decente/legave électrique d'urgence	Oui/Oui
Durée de vie escomptée	8 ans
Vitesse de levage	Le lève-patient Roze est conforme aux exigences de « vitesse de levage et d'abaissement » de la norme EN/ISO 10535 (<0,15 m/s avec charge maximale et <0,25 m/s à vide)



\* Des variations se produisent selon le chargement et la course.



## Sommario

Il presente manuale deve essere fornito all'utilizzatore del prodotto. Leggere il presente manuale e conservarlo per eventuali consultazioni successive, PRIMA di utilizzare il prodotto.

<b>1 Generale</b>	<b>110</b>
1.1 Introduzione	110
1.2 Simboli	110
1.3 Uso previsto	110
1.3.1 Controindicazioni	111
1.4 Articoli inclusi	111
1.5 Durata	111
1.5.1 Informazioni aggiuntive	111
1.6 Informazioni sulla garanzia	111
1.7 Conformità	111
1.7.1 Norme specifiche di prodotto	111
<b>2 Sicurezza</b>	<b>112</b>
2.1 Linee guida generali	112
2.2 Informazioni sul funzionamento	112
2.2.1 Generalità	112
2.2.2 Posizionamento	113
2.2.3 Smaltimento	113
2.3 Interferenze a radiofrequenza	113
2.4 Etichette del prodotto	113
<b>3 Messa in servizio</b>	<b>114</b>
3.1 Montaggio sicuro	114
3.2 Montaggio dell'albero sulla base	114
3.3 Preparazione del sollevatore per l'utilizzo	114
3.4 Installazione della manopola di spostamento	114
3.5 Montaggio alla parete della staffa di fissaggio del caricabatteria	114
<b>4 Uso</b>	<b>116</b>
4.1 Introduzione	116
4.2 Chiusura/apertura delle gambe	116
4.2.1 Chiusura/apertura manuale delle gambe	116
4.3 Bloccaggio/sbloccaggio delle ruote posteriori	116
4.4 Sollevamento/abbassamento del sollevatore	116
4.4.1 Sollevamento/abbassamento di un sollevatore elettrico	116
4.5 Attivazione di uno sblocco meccanico di emergenza	117
4.5.1 Rilascio di emergenza primario	117
4.5.2 Rilascio di emergenza secondario	117
4.6 Esecuzione di un arresto di emergenza	117
4.7 Carica della batteria	117
4.7.1 Spia della batteria	117
4.7.2 Uso di un cavo di alimentazione per caricare la batteria	118
4.7.3 Uso del caricabatteria per caricare la batteria	118
<b>5 Sollevamento del paziente</b>	<b>120</b>
5.1 Sollevamento sicuro	120
5.2 Posizionamento del sollevatore Stand Assist	121
5.3 Sollevamento del paziente	121
5.4 Spostamento del paziente	122
<b>6 Trasferimento del paziente</b>	<b>124</b>
6.1 Spostamento sicuro	124
6.2 Spostamento su una comoda	124
6.3 Spostamento su una carrozzina	125
6.4 Trasferimento su un letto	125
<b>7 Guida alla soluzione dei problemi</b>	<b>127</b>
7.1 Tabella delle soluzioni dei problemi	127
<b>8 Manutenzione</b>	<b>128</b>
8.1 Lista di controllo per la sicurezza e la manutenzione	128
8.2 Pulizia dell'imbracatura e del sollevatore	128
8.3 Riutilizzo	129
8.4 Rilevamento di usura e danni	129
8.5 Lubrificazione del sollevatore	129
8.6 Regolazione della base	129
8.7 Sostituzione dell'attuatore elettrico	130
8.8 Regolazione dell'altezza del cuscinetto per le ginocchia	130
<b>9 Dati Tecnici</b>	<b>131</b>
9.1 Sollevatore paziente Stand Assist RPS3501E e RPS3501FR	131

# 1 Generale

## 1.1 Introduzione

Il presente manuale d'uso contiene informazioni importanti sulla gestione del prodotto. Per garantire un utilizzo sicuro del prodotto, leggere attentamente il manuale d'uso e seguire le istruzioni di sicurezza.

Si noti che alcune sezioni contenute nel presente manuale d'uso potrebbero non riguardare il proprio prodotto, in quanto il presente manuale si applica a tutti i modelli disponibili (alla data di stampa). Se non specificato diversamente, ogni sezione di questo manuale si riferisce a tutti i modelli del prodotto.

I modelli e le configurazioni disponibili nel proprio paese sono riportati nei listini prezzi specifici per paese.

Invacare si riserva il diritto di modificare le specifiche del prodotto senza ulteriore preavviso.

Prima di leggere il presente manuale, verificare di essere in possesso dell'ultima versione, che può essere scaricata dal sito web Invacare sotto forma di PDF.

Se si ritiene che la dimensione dei caratteri nella versione cartacea del Manuale d'uso sia di difficile lettura, è possibile scaricare la versione PDF dal sito web. Il PDF può essere ingrandito sullo schermo in modo da ottenere una dimensione dei caratteri più facile da leggere.

Per ulteriori informazioni sul prodotto, ad esempio le note sulla sicurezza del prodotto e i richiami di prodotti, si prega di contattare il proprio rappresentante Invacare. Vedere gli indirizzi alla fine del presente documento.

## 1.2 Simboli

Nel presente manuale tutte le situazioni non sicure o pericolose che possono portare a lesioni alle persone o danni ai materiali sono evidenziate mediante simboli. Qui di seguito sono riportate le spiegazioni dei simboli.



### ATTENZIONE!

– Situazione di pericolo potenziale che, se non evitata, potrebbe causare morte o lesioni gravi.



### AVVERTENZA!

– Situazione di pericolo potenziale che, se non evitata, potrebbe causare danni al prodotto o lesioni lievi o entrambi.



### IMPORTANTE

– Situazione di pericolo che, se non evitata, potrebbe essere causa di danni al prodotto.



Indica consigli utili, raccomandazioni e informazioni per un uso efficace e senza inconvenienti.



Data di produzione.



Questo prodotto è conforme alla direttiva 93/42/CEE relativa ai dispositivi medici.

La data di lancio di questo prodotto è indicata nella dichiarazione di conformità CE.



Leggere il manuale



Segnale acustico di batteria scarica. Fare riferimento alla sezione 4.7 *Carica della batteria*, pagina 117



Bloccaruota



Chiusura/apertura delle gambe



Sollevamento/abbassamento dei bracci di sollevamento



Arresto di emergenza



Carico ammissibile per un utilizzo in sicurezza



Doppio isolamento, apparecchiatura di classe II



Parte applicata di tipo B



Riciclare il prodotto. Fare riferimento alla sezione 2.2.3 *Smaltimento*, pagina 113

## 1.3 Uso previsto



### ATTENZIONE!

#### Rischio di caduta

Il Stand Assist Invacare NON è un dispositivo di trasporto. È destinato a spostare un paziente da una superficie di seduta a un'altra (ad esempio da un letto a una carrozzina).

Le imbracature e gli accessori per sollevatore Invacare sono appositamente progettati per l'uso in combinazione con i sollevatori Invacare.

Per evitare lesioni o cadute:

- I pazienti che vengono spostati e posizionati tramite il sollevatore Stand Assist DEVONO essere collaborativi, coordinati e avere il controllo della testa e del collo. In caso contrario, possono verificarsi lesioni.
- I pazienti che vengono spostati e posizionati tramite l'imbracatura Stand Assist DEVONO essere in grado di sostenere la maggior parte del proprio peso. In caso contrario, potrebbero verificarsi lesioni o danni. Per ulteriori informazioni, fare riferimento al manuale d'uso dell'imbracatura.

Stand Assist sono dispositivi di spostamento alimentati a batteria, progettati per essere utilizzati nella maggior parte delle situazioni di sollevamento comuni, ad esempio:

- Tra letto e carrozzina e viceversa
- Da e verso la toilette

Il Stand Assist è destinato esclusivamente al sollevamento di pazienti fino al limite di peso massimo indicato nei dati tecnici.

Il prodotto è destinato esclusivamente all'uso al chiuso.

Scegliere le imbracature e gli accessori appropriati per ogni paziente è importante per garantire la sicurezza d'utilizzo di un sollevatore. Fare riferimento ai manuali d'uso per le imbracature e gli accessori Invacare per ulteriori informazioni su tali dispositivi.

Invacare raccomanda che il paziente venga spostato con una sedia per doccia o altri mezzi per fare il bagno.

Il Stand Assist può essere ruotato sul posto per gli spostamenti in spazi limitati.

### 1.3.1 Controindicazioni

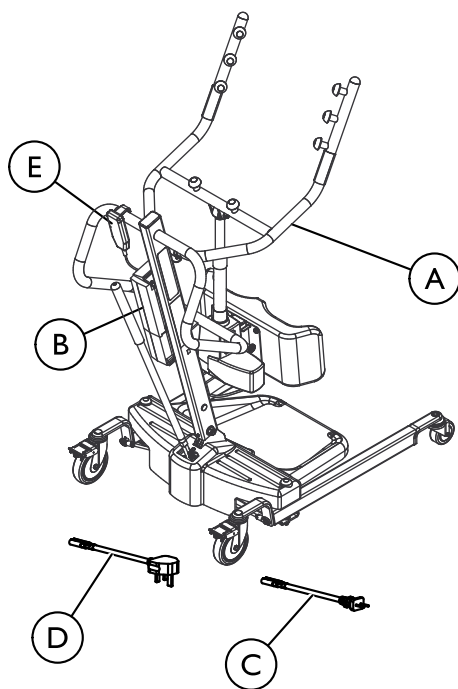
Il sollevatore Stand Assist è controindicato per i pazienti che:

- non sono collaborativi
- non sono coordinati
- non hanno il controllo della testa e del collo

Alcune imbracature progettate per il sollevatore Stand Assist sono controindicate per i pazienti che non riescono a sostenere la maggior parte del proprio peso. Per ulteriori informazioni, fare riferimento al manuale d'uso dell'imbracatura.

### 1.4 Articoli inclusi

Nell'imballo sono inclusi gli articoli elencati nelle tabelle seguenti. Le imbracature sono vendute separatamente. Il caricabatteria da parete può essere venduto separatamente.



Articolo	Descrizione	Quantità
A	Sollevatore	1
B	Batteria	1

C	Cavo di ricarica, UE	1
D	Cavo di ricarica, UK (solo RPS350-1E)	1
E	Telecomando	1
F	Manuale d'uso del sollevatore (non mostrato)	1

## 1.5 Durata

La durata prevista per questo prodotto è di otto anni, a condizione che sia utilizzato quotidianamente e in conformità alle istruzioni per la sicurezza, secondo gli intervalli di manutenzione e l'uso corretto del prodotto come indicato nel presente manuale. La durata effettiva può variare a seconda della frequenza e dell'intensità d'uso.

### 1.5.1 Informazioni aggiuntive

La durata prevista è basata su una media stimata di 4 cicli di sollevamento giornalieri.

## 1.6 Informazioni sulla garanzia

Offriamo una garanzia del produttore per il prodotto in conformità di quanto indicato sui Termini e le condizioni generali di vendita applicabili nei rispettivi paesi.

La garanzia può essere fatta valere solo attraverso il fornitore presso il quale è stato acquistato il prodotto.

## 1.7 Conformità

La qualità è fondamentale perché l'azienda operi nel rispetto e nell'ambito della norma ISO 13485.

Il prodotto è dotato di marchio CE, in conformità con la Direttiva 93/42/CEE concernente i dispositivi medici della classe 1.

Lavoriamo costantemente per garantire che l'impatto ambientale dell'azienda a livello locale e globale sia ridotto al minimo.

Garantiamo di utilizzare esclusivamente materiali e componenti conformi alla direttiva REACH.

Rispettiamo le normative ambientali RAEE e RoHS in vigore.

### 1.7.1 Norme specifiche di prodotto

Il prodotto è stato testato ed è conforme alla norma ISO 10535 (Sollevatori per il trasferimento di persone disabili) e alle norme correlate.

Per ulteriori informazioni sulle norme e le disposizioni locali, contattare il rappresentante locale Invacare. Vedere gli indirizzi alla fine del presente documento.

## 2 Sicurezza

### 2.1 Linee guida generali



#### ATTENZIONE!

– NON usare questo prodotto o altri dispositivi opzionali disponibili senza prima aver letto e compreso attentamente le presenti istruzioni e ogni altro materiale informativo come i manuali d'uso, i manuali per la manutenzione o i fogli di istruzione forniti con questo prodotto o con gli accessori. Qualora alcune avvertenze, precauzioni o istruzioni fossero di difficile comprensione, contattare il professionista sanitario, il rivenditore o i tecnici qualificati prima di iniziare a utilizzare questa apparecchiatura, in modo da evitare possibili lesioni a persone o danni a materiali.

#### AVVERTENZA RIGUARDANTE GLI ACCESSORI

I prodotti Invacare sono appositamente progettati e costruiti per essere utilizzati in combinazione con accessori Invacare.

Accessori progettati da altri produttori non sono stati collaudati da Invacare, pertanto se ne sconsiglia l'uso con i prodotti Invacare. In alcuni casi è possibile utilizzare imbracature di altri produttori.

– Per ulteriori informazioni sugli accessori, contattare l'ufficio Invacare locale.



#### SEGNALAZIONE

– Le informazioni contenute nel presente manuale possono essere modificate senza preavviso.

Prima dell'utilizzo, controllare tutti i componenti per individuare eventuali danni dovuti al trasporto. In caso di danni, NON utilizzare l'apparecchiatura. Contattare il proprio rivenditore o rappresentante Invacare per ulteriori istruzioni.

### 2.2 Informazioni sul funzionamento

La presente sezione del manuale contiene informazioni generali sulla sicurezza del prodotto. Per informazioni specifiche sulla sicurezza, consultare l'apposita sezione del manuale e le procedure contenute all'interno di tale sezione. Ad esempio, per le informazioni sulla sicurezza relative al montaggio del sollevatore, consultare la sezione 3 *Messa in servizio*, pagina 114

#### 2.2.1 Generalità



#### ATTENZIONE!

##### Rischio di caduta

NON tentare alcun tipo di spostamento senza l'approvazione del medico, dell'infermiere o dell'assistente sanitario che seguono il paziente. Leggere attentamente le istruzioni contenute nel presente manuale d'uso, osservare un team qualificato di esperti mentre esegue le procedure di sollevamento, quindi effettuare più volte l'intera procedura di sollevamento con l'adeguata supervisione e con una persona abile che funga da paziente.

- Usare il buon senso in occasione di ogni sollevamento. SI DEVE prestare particolare attenzione nel caso di persone affette da disabilità che non consentono loro di collaborare durante il sollevamento.
- Utilizzare sempre la maniglia di guida sull'albero per spingere o tirare il sollevatore.
- Assicurarsi di controllare gli attacchi dell'imbracatura ogni volta che questa viene rimossa e sostituita, al fine di garantire che sia fissata correttamente prima di spostare il paziente da un oggetto fisso (letto, carrozzina o comoda).



#### ATTENZIONE!

##### Rischio di lesioni o danni

Alcune superfici possono rendere instabile il sollevatore e causare lesioni o danni.

Il sollevatore può essere utilizzato in prossimità di una doccia o vasca da bagno, ma l'eccessiva umidità lo danneggia e potrebbe causare lesioni.

- Evitare di usare il sollevatore su una superficie inclinata. Invacare raccomanda di utilizzare il sollevatore esclusivamente su una superficie piana.
- NON spingere le ruote su superfici irregolari che potrebbero causare il ribaltamento del sollevatore.
- NON utilizzare il sollevatore nella doccia, nella vasca da bagno o in ambienti con umidità eccessiva.
- Assicurarsi che il sollevatore sia asciutto e pulito da qualsiasi traccia di umidità dopo l'uso.
- NON riporre il sollevatore in un locale umido o in condizioni di umidità. Fare riferimento agli intervalli di temperatura, umidità e pressione di immagazzinamento indicati nella 7.1 *Tabella delle soluzioni dei problemi*, pagina 127.
- Ispezionare periodicamente tutti i componenti del sollevatore per rilevare la presenza di eventuali segni di corrosione. Sostituire tutti i componenti corrosi o danneggiati.

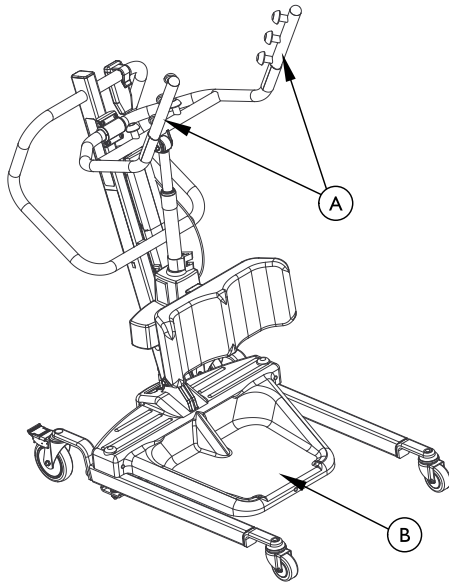


### 2.2.2 Posizionamento



**ATTENZIONE!**  
**Rischio di lesioni**

- Fare **SEMPRE** attenzione ai bracci di sollevamento. Potrebbero verificarsi lesioni ai pazienti e/o agli assistenti.
- Prestare **SEMPRE** attenzione al poggiatesta, in particolare alla posizione del paziente sul poggiatesta. Potrebbero verificarsi lesioni ai pazienti e/o agli assistenti.



- i**    **A** = Bracci di sollevamento  
          **B** = Pedana

### 2.2.3 Smaltimento



**ATTENZIONE!**  
**Pericolo per l'ambiente**

Questo prodotto è stato fornito da un costruttore consapevole dell'impatto ambientale e nel rispetto della Direttiva 2012/19/UE sullo smaltimento dei materiali elettrici ed elettronici (WEEE). Il dispositivo contiene batterie al piombo-acido. Il prodotto può contenere sostanze che potrebbero essere pericolose per l'ambiente se smaltite in luoghi (discariche) non conformi alla normativa in vigore.

- **NON** smaltire le batterie come normali rifiuti domestici. **DEVONO** essere conferite in un sito di smaltimento idoneo. Per ulteriori informazioni, contattare la propria azienda di raccolta rifiuti locale.
- Vi invitiamo a prendervi cura dell'ambiente in modo responsabile, riciclando questo prodotto attraverso i servizi di riciclaggio della vostra zona, al termine del suo utilizzo.

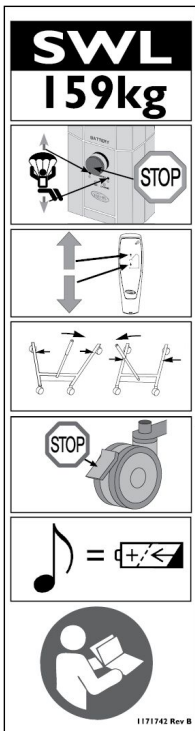
### 2.3 Interferenze a radiofrequenza



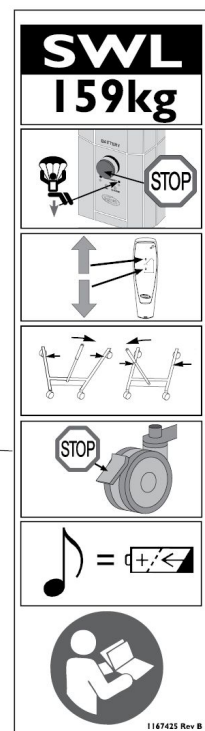
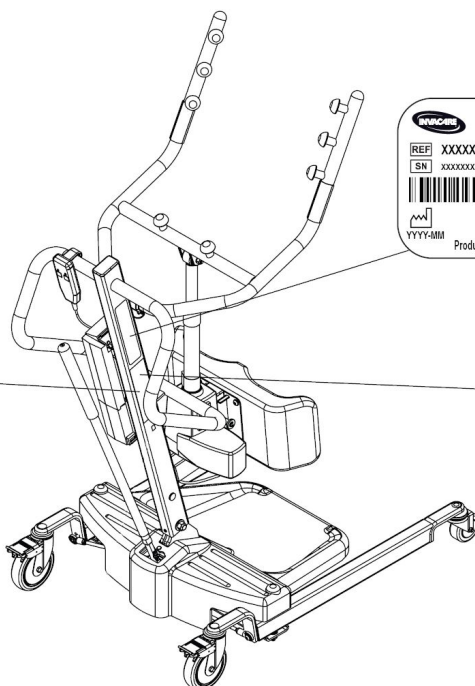
**ATTENZIONE!**

- La maggior parte delle attrezzature elettroniche è influenzata dall'interferenze a radiofrequenza (RFI). Si deve usare **CAUTELA** per quanto riguarda l'uso delle apparecchiature di comunicazione portatili nella zona circostante tali attrezzature. Se le RFI provocano un comportamento irregolare, **SPEGNERE IMMEDIATAMENTE** l'interruttore rosso di alimentazione. **NON ACCENDERE** l'interruttore di alimentazione mentre la trasmissione è in corso.

### 2.4 Etichette del prodotto



**RPS350-IFR**



**RPS350-IE**

## 3 Messa in servizio

### 3.1 Montaggio sicuro



#### ATTENZIONE! Rischio di lesioni

Un assemblaggio non corretto può causare lesioni o danni.

- Il montaggio DEVE essere eseguito esclusivamente da personale qualificato.
- Utilizzare solo pezzi di Invacare per il montaggio di questo sollevatore. I componenti del sollevatore sono realizzati secondo specifiche che assicurano il corretto allineamento di tutte le parti per garantire un utilizzo funzionale e sicuro del prodotto.
- NON stringere eccessivamente gli elementi di montaggio. Questo danneggia la staffa di fissaggio.



Per montare il sollevatore non sono richiesti utensili.

In caso di problemi o domande durante il montaggio, contattare un rappresentante locale Invacare. Fare riferimento alle informazioni di contatto riportate sul retro del presente manuale.

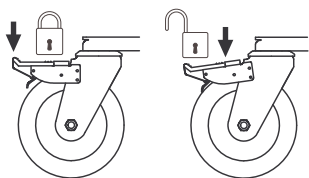
### 3.2 Montaggio dell'albero sulla base



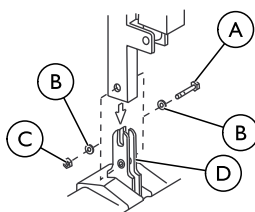
#### ATTENZIONE!

- Utilizzare solo pezzi di Invacare per il montaggio di questo sollevatore. Le gambe della base, l'albero, il braccio, il gruppo pompa e la barra girevole sono realizzati secondo specifiche che assicurano il corretto allineamento di tutte le parti per garantire un utilizzo funzionale e sicuro del prodotto.

DETTAGLIO A



DETTAGLIO B



Ⓐ Bullone esagonale

Ⓒ Dado

Ⓑ Rondella

Ⓓ Staffa di fissaggio



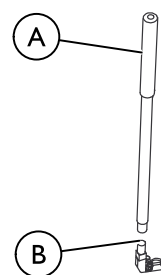
Il gruppo dell'albero può essere rimosso dalla base per l'immagazzinamento o il trasporto. Il gruppo dell'albero DEVE essere fissato correttamente alla base prima dell'uso.

1. Posizionare la base sul pavimento.
  - Assicurarsi che tutte e quattro le ruote siano a contatto con il pavimento.
2. Bloccare entrambe le ruote posteriori. Fare riferimento al Dettaglio A.
3. Rimuovere il bullone esagonale, le rondelle e il dado posizionati nell'apertura a forma di U della base. Fare riferimento al Dettaglio B.
4. Sollevare l'albero in posizione verticale.
5. Abbassare l'albero sulla staffa di fissaggio.
6. Collegare l'albero alla base con il bullone esagonale, le rondelle e il dado. Serrare a fondo.

### 3.3 Preparazione del sollevatore per l'utilizzo

Controllare e serrare tutti gli elementi PRIMA dell'uso.

### 3.4 Installazione della manopola di spostamento

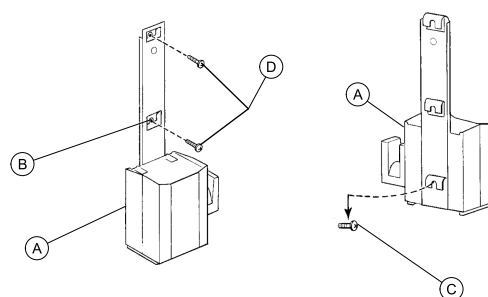


Ⓐ Manopola di spostamento

Ⓑ Adattatore maschio nella base

1. Rimuovere la manopola di spostamento dal cartone di imballaggio.
2. Avvitare la manopola di spostamento sull'adattatore maschio della base.

### 3.5 Montaggio alla parete della staffa di fissaggio del caricabatteria



Fare riferimento alle normative locali in materia di procedure di montaggio corrette.

Questa procedura è valida solo per i modelli RPS350–1E.

1. Posizionare il caricabatteria con la staffa di fissaggio Ⓐ sulla parete nella posizione desiderata.
2. Con una matita, segnare la posizione del foro centrale Ⓑ.
3. Misurare 16,5 cm (6 pollici e ½) verso il basso dal segno della matita e praticare un foro di fissaggio.

4. Inserire la vite di fissaggio inferiore © fino a ottenere una distanza di circa 3 mm (1/8 di pollice) tra la testa della vite e la parete.
5. Posizionare il caricabatteria con la staffa di fissaggio sulla vite di fissaggio inferiore.
6. Praticare i due fori di fissaggio restanti.
7. Inserire le due viti di montaggio restanti © attraverso la staffa di fissaggio e nella parete. Serrare a fondo.
8. Collegare il caricabatteria alla presa elettrica a muro.




Il LED ON dovrebbe accendersi.

## 4 Uso

### 4.1 Introduzione

Il funzionamento del sollevatore è una procedura facile e sicura.

 Prima di utilizzare il sollevatore con un paziente, fare riferimento alle procedure seguenti per informazioni e istruzioni di sicurezza:

- 2.2 Informazioni sul funzionamento, pagina 112
- 5.3 Sollevamento del paziente, pagina 121

### 4.2 Chiusura/apertura delle gambe




#### ATTENZIONE! Pericolo di lesioni

Il sollevatore potrebbe ribaltarsi e mettere in pericolo il paziente e gli assistenti.

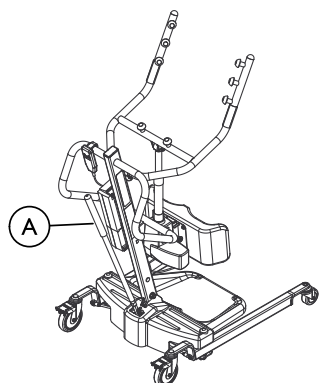
– Le gambe del sollevatore devono essere nella posizione di massima apertura per garantire la massima stabilità e sicurezza. Nel caso in cui sia necessario chiudere le gambe del sollevatore per posizionarlo sotto un letto, chiudere le gambe del sollevatore solo per il tempo necessario a posizionarlo sopra il paziente e sollevare il paziente dalla superficie del letto. Quando le gambe del sollevatore non si trovano più sotto il letto, riportarle alla posizione di massima apertura.

#### 4.2.1 Chiusura/apertura manuale delle gambe

La manopola di spostamento viene utilizzata per aprire o chiudere le gambe della base per assicurare la stabilità durante il sollevamento di un paziente.

 Fare riferimento alle informazioni di sicurezza riportate nella sezione 4.2 Chiusura/apertura delle gambe, pagina 116 prima di eseguire questa procedura.

Ⓐ = Manopola di spostamento



1. Per chiudere le gambe:  
ESTRARRE e allontanare la manopola di spostamento dal sollevatore, quindi spostarla verso SINISTRA finché non si BLOCCA nella scanalatura della staffa.



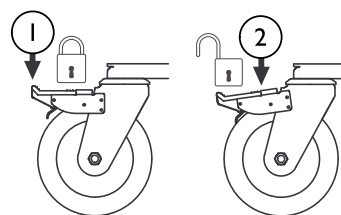
La sinistra viene stabilita mettendosi in piedi dietro il sollevatore e rivolti verso le ruote anteriori.

2. Per aprire le gambe:  
ESTRARRE e allontanare la manopola di spostamento dal sollevatore, quindi spostarla verso DESTRA finché non si BLOCCA nella scanalatura della staffa.



La destra viene stabilita mettendosi in piedi dietro il sollevatore e rivolti verso le ruote anteriori.

### 4.3 Bloccaggio/sbloccaggio delle ruote posteriori



1. Abbassare con il piede qui per bloccare
2. Abbassare con il piede qui per sbloccare

### 4.4 Sollevamento/abbassamento del sollevatore



#### ATTENZIONE! Pericolo di lesioni

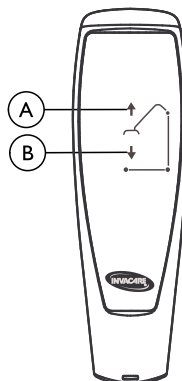
Il sollevatore può ribaltarsi e mettere in pericolo il paziente e gli assistenti.

– Invacare non raccomanda che le ruote posteriori siano bloccate per consentire al sollevatore di stabilizzarsi quando il paziente viene inizialmente sollevato da una sedia, un letto o qualsiasi oggetto fisso.


#### 4.4.1 Sollevamento/abbassamento di un sollevatore elettrico



Fare riferimento alle informazioni di sicurezza riportate nella sezione 4.4 Sollevamento/abbassamento del sollevatore, pagina 116 prima di eseguire questa procedura.



1. Per sollevare il sollevatore -  
Tenere premuto il pulsante SU Ⓐ per sollevare il braccio e il paziente.
2. Per abbassare il sollevatore -  
Tenere premuto il pulsante GIÙ Ⓑ per abbassare il braccio e il paziente.

 Rilasciare il pulsante per interrompere il sollevamento o l'abbassamento del sollevatore.

## 4.5 Attivazione di uno sblocco meccanico di emergenza

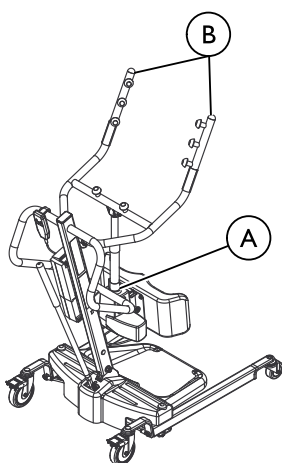
Esistono due tipi di sblocco meccanico di emergenza: uno principale e uno secondario.

### 4.5.1 Rilascio di emergenza primario




1. Inserire una penna nel foro contrassegnato come Sollevamento di emergenza (A) o Abbassamento di emergenza (B) sulla centralina (C).

### 4.5.2 Rilascio di emergenza secondario



(A) Impugnatura di emergenza ROSSA

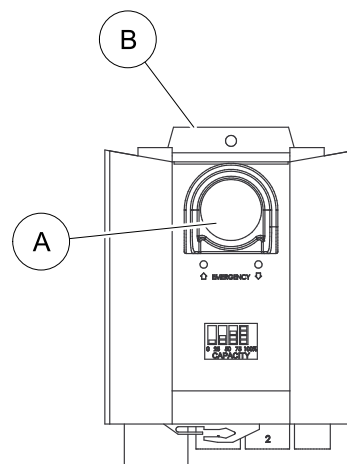
(B) Bracci di sollevamento

 Si raccomanda di utilizzare il rilascio di emergenza primario. Il rilascio di emergenza secondario è solo un back-up per il rilascio di emergenza primario.

Nei casi in cui il rilascio primario è non funzionante o non raggiungibile, può essere utilizzato un rilascio di emergenza secondario.


1. Tirare verso l'alto l'impugnatura di EMERGENZA (A) e spingere verso il basso i bracci di sollevamento (B) allo stesso tempo.

## 4.6 Esecuzione di un arresto di emergenza




1. Premere il pulsante ROSSO (A) sulla centralina (B) per interrompere il sollevamento o l'abbassamento del braccio e del paziente.
2. Per ripristinare, ruotare il pulsante di emergenza in senso orario.

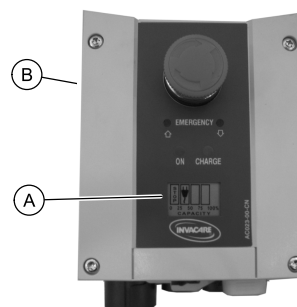
## 4.7 Carica della batteria

 Invacare raccomanda di caricare quotidianamente la batteria per prolungarne la durata.

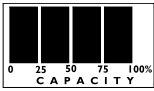
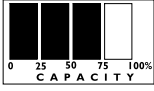
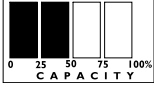
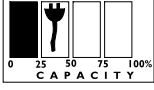
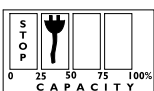
Esistono due metodi diversi per caricare la batteria. Un metodo utilizza un cavo di alimentazione collegato alla centralina, l'altro richiede il montaggio della batteria sul caricabatteria. Seguire la procedura appropriata per caricare la batteria del sollevatore.

### 4.7.1 Spia della batteria

 Questa procedura è valida solo per i modelli RPS350-1FR.



La spia della batteria (A) si trova sulla centralina (B). I LED indicano lo stato della batteria:

Spia della batteria sulla centralina <b>A</b>	Stato di carica della batteria	Descrizione
	100% Completamente carica	La batteria è OK, non deve essere ricaricata (100%).
	75% di carica	La batteria è OK, non deve essere ricaricata (75%).
	50% di carica	La batteria deve essere ricaricata (50%).
	25% Scarica	La batteria deve essere ricaricata (25%). L'avvisatore acustico emette un suono quando viene premuto un pulsante.
	0% Scarica	La batteria deve essere ricaricata.  Alcune delle funzionalità del sollevatore non sono disponibili ed è solo possibile abbassare il braccio.  Quando la batteria è scarica viene emesso un segnale acustico (suono dell'avvisatore acustico). Se il segnale acustico viene emesso durante uno spostamento, completare tale operazione e successivamente caricare la batteria.

#### 4.7.2 Uso di un cavo di alimentazione per caricare la batteria




 Questa procedura è valida solo per RPS350-1FR.

**A** = Collegare qui il cavo di alimentazione

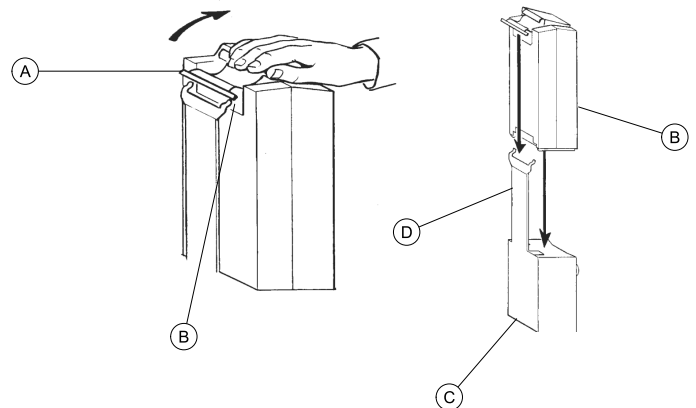


#### AVVERTENZA!

– L'arresto d'emergenza NON DEVE essere attivato; in caso contrario non sarebbe possibile caricare la batteria. Durante la carica, il sollevatore non deve essere usato. NON spostare il sollevatore prima di aver scollegato il cavo di alimentazione dalla presa a muro. NON utilizzare il sollevatore se l'involucro della batteria è danneggiato. Sostituire un involucro batteria danneggiato prima di continuare a usare il sollevatore.

1. Collegare il cavo di alimentazione alla centralina.
2. Collegare il cavo di alimentazione a una presa di corrente.
  -  La carica della batteria sarà completata in circa 4 ore. La ricarica deve essere eseguita in un locale ben ventilato.
3. Una volta completata la ricarica della batteria, scollegare il cavo di alimentazione dalla presa di corrente.

#### 4.7.3 Uso del caricabatteria per caricare la batteria



Questa procedura è valida solo per RPS350-1E.


1. Sollevare mediante la maniglia **A** sul retro della batteria **B**.
2. Sollevare la batteria ed estrarla dalla centralina **C**.



#### AVVERTENZA!

Il montaggio errato della batteria può causare lesioni o danni.

– Quando si posiziona la batteria sul caricabatteria, assicurarsi di sentire uno scatto di conferma del corretto montaggio.

3. Posizionare la batteria sul caricabatteria **D** come mostrato. Assicurarsi di sentire uno scatto.
  -  Il LED di carica si illumina. Quando la ricarica è completa, il LED di carica si spegne. Una batteria impiega circa quattro ore per essere completamente ricaricata.
4. Sollevare mediante la maniglia sul retro della batteria.
5. Sollevare la batteria ed estrarla dal caricabatteria.

**AVVERTENZA!**

Il montaggio errato della batteria può causare lesioni o danni.

- Quando si posiziona la batteria sulla centralina, assicurarsi di sentire uno scatto di conferma del corretto montaggio.



La batteria viene montata sulla centralina e sul caricabatteria come mostrato.

6. Rimontare la batteria sulla centralina come mostrato. Assicurarsi di sentire uno scatto.

## 5 Sollevamento del paziente

### 5.1 Sollevamento sicuro



#### ATTENZIONE!

- NON superare il limite massimo di peso (SWL) di 159 kg.
- NON tentare alcun tipo di spostamento senza l'approvazione di un professionista sanitario.
- Tenere SEMPRE le mani e le dita lontano da parti in movimento per evitare possibili lesioni.
- Durante lo spostamento con il paziente sospeso all'imbracatura, NON spingere la base del sollevatore su superfici irregolari che potrebbero rendere instabile il sollevatore.
- Utilizzare sempre la maniglia di guida sul gruppo dell'albero per spingere o tirare il sollevatore Stand Assist.



#### ATTENZIONE!

#### Funzionamento del sollevatore e sollevamento del paziente

- Assicurarsi che l'apparecchiatura utilizzata con il sollevatore Stand Assist sia in grado di sollevare il carico (ad es. l'imbracatura). Accertarsi che, in caso di malfunzionamento dell'apparecchiatura, la persona che viene sollevata non sia esposta a pericolo.
- Prima di posizionare le gambe del sollevatore Stand Assist intorno al paziente, accertarsi che i piedi del paziente siano lontano dalla pedana, altrimenti possono verificarsi lesioni.
- Le regolazioni di sicurezza e comfort devono essere eseguite prima di spostare il paziente. Le braccia del paziente devono essere al di fuori delle cinghie dell'imbracatura.



#### ATTENZIONE!

#### Funzionamento del sollevatore e sollevamento del paziente

- Prima di sollevare un paziente da un oggetto fisso (carrozzina, comoda o letto), sollevare leggermente il paziente dall'oggetto fisso e controllare che tutti gli attacchi dell'imbracatura siano fissati. Se gli attacchi non sono posizionati correttamente, abbassare il paziente e correggere il problema, quindi sollevare il paziente e controllare di nuovo.
- Durante lo spostamento con il paziente sospeso all'imbracatura collegata al sollevatore, NON spingere le ruote su superfici irregolari che potrebbero causare uno sbilanciamento e il ribaltamento del sollevatore. Utilizzare SEMPRE la maniglia di guida sull'albero per spingere o tirare il sollevatore.
- Invacare raccomanda di bloccare le ruote girevoli posteriori SOLO durante il posizionamento o la rimozione dell'imbracatura (Stand Assist o di spostamento) intorno al paziente.
- Invacare SCONSIGLIA di bloccare le ruote posteriori del sollevatore quando si solleva un paziente. Ciò potrebbe causare il ribaltamento del sollevatore e mettere in pericolo il paziente e gli assistenti. Invacare RACCOMANDA che le ruote posteriori siano sbloccate durante le procedure di sollevamento per consentire al sollevatore di stabilizzarsi quando il paziente viene inizialmente sollevato da una sedia, un letto o qualsiasi oggetto fisso.



#### ATTENZIONE!

#### Utilizzo dell'imbracatura

- Per il comfort e la sicurezza del paziente che deve essere sollevato, utilizzare esclusivamente l'imbracatura consigliata da un professionista sanitario.
- I pazienti che utilizzano l'imbracatura Stand Assist DEVONO essere in grado di sostenere la maggior parte del proprio peso, altrimenti possono verificarsi lesioni.
- Le imbracature scolorite, logorate, tagliate, danneggiate o rotte non sono sicure e potrebbero causare lesioni o danni. Gettare via IMMEDIATAMENTE le imbracature con queste caratteristiche.
- NON modificare le imbracature.
- Assicurarsi di controllare gli attacchi dell'imbracatura ogni volta che questa viene rimossa e sostituita, al fine di garantire che sia fissata correttamente prima di spostare il paziente da un oggetto fisso (letto, carrozzina o comoda).
- Se il paziente è in carrozzina, attivare i freni della carrozzina per evitare che questa si muova avanti o indietro.
- Prestare attenzione al fine di evitare che la persona che viene sollevata sia esposta a pericolo e garantire che possa essere spostata senza lesioni.



**ATTENZIONE!****Imbracatura Stand Assist**

- NON utilizzare l'imbracatura Stand Assist insieme al sollevatore come dispositivo di trasporto. È destinata a spostare un paziente da una superficie di riposo a un'altra (ad esempio da un letto a una carrozzina).
- Prima di sollevare il paziente, assicurarsi che il bordo inferiore dell'imbracatura Stand Assist sia posizionato sulla parte lombare del paziente e che le braccia siano al di fuori dell'imbracatura Stand Assist. La cintura DEVE essere salda, ma confortevole per il paziente, altrimenti il paziente può scivolare dall'imbracatura durante lo spostamento causando potenziali lesioni.
- La cintura DEVE essere salda, ma confortevole per il paziente, altrimenti il paziente può scivolare dall'imbracatura durante lo spostamento, causando potenziali lesioni.

**Imbracatura Stand Assist di spostamento**

- Prima di sollevare il paziente, assicurarsi che il bordo inferiore dell'imbracatura di spostamento sia alla base della colonna vertebrale del paziente e che le braccia siano al di fuori dell'imbracatura di spostamento.
- NON sollevare il paziente completamente in piedi mentre si utilizza l'imbracatura di spostamento, altrimenti possono verificarsi lesioni.



Per ulteriori informazioni, fare riferimento alla brochure dell'imbracatura per pazienti.

## 5.2 Posizionamento del sollevatore Stand Assist

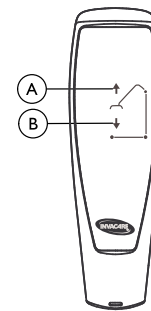


Prima di procedere, fare riferimento alla sezione sulla sicurezza in questo manuale, controllare le informazioni contenute nella sezione 5.1 *Sollevamento sicuro*, pagina 120 e rispettare tutte le avvertenze indicate.

Prima di posizionare le gambe del sollevatore sotto un letto, assicurarsi che la zona sia libera da ostruzioni.

**ATTENZIONE!****Rischio di lesioni**

- Il sollevatore può ribaltarsi e mettere in pericolo il paziente e gli assistenti.
- Le gambe del sollevatore devono essere nella posizione di massima apertura per ottimizzare la stabilità e la sicurezza. Se è necessario chiudere le gambe del sollevatore per spingere il sollevatore sotto il letto, chiudere le gambe solo finché il sollevatore non viene posizionato sul paziente e finché il paziente non si allontana dal letto. Quando le gambe del sollevatore non sono più sotto il letto, riportare le gambe alla posizione di massima apertura.



A Pulsante SU

B Pulsante GIÙ

1. Assicurarsi che le gambe del sollevatore Stand Assist si trovino nella posizione di massima apertura. Altrimenti usare la manopola di spostamento per aprire le gambe.
2. Posizionare il sollevatore Stand Assist tramite il manico dell'albero.
3. Premere il pulsante freccia giù sulla pulsantiera per abbassare i bracci di sollevamento e favorire l'attacco dell'imbracatura.

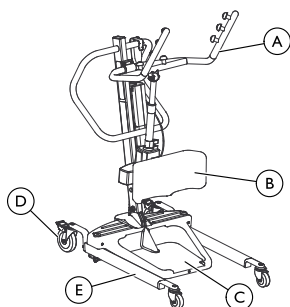
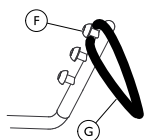
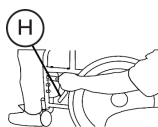
## 5.3 Sollevamento del paziente

**ATTENZIONE!**


- NON superare il limite massimo di peso (SWL) di 159 kg.
- I pazienti che utilizzano l'imbracatura Stand Assist DEVONO essere in grado di sostenere la maggior parte del proprio peso, altrimenti possono verificarsi lesioni.
- NON bloccare le ruote posteriori del sollevatore Stand Assist quando si solleva un paziente. Il blocco delle ruote posteriori potrebbe causare il ribaltamento del sollevatore Stand Assist e mettere in pericolo il paziente e gli assistenti. Lo sblocco delle ruote posteriori durante le procedure di sollevamento consente al sollevatore di stabilizzarsi quando il paziente viene inizialmente sollevato da una carrozzina, un letto o qualsiasi oggetto fisso.
- NON spostare il paziente se l'imbracatura non è collegata adeguatamente ai punti di attacco del sollevatore Stand Assist.
- Assicurarsi che l'imbracatura sia collegata correttamente PRIMA di sollevare il paziente. Se gli attacchi non sono posizionati adeguatamente, correggere il problema. Quando l'imbracatura viene sollevata di qualche cm/pollice dalla superficie fissa e prima di spostare il paziente, assicurarsi di nuovo che l'imbracatura e tutti gli attacchi siano posizionati correttamente. Se si riscontra un problema, abbassare nuovamente il paziente sulla superficie fissa e correggere il problema, altrimenti possono verificarsi lesioni o danni.
- Le regolazioni di sicurezza e comfort devono essere eseguite prima di spostare il paziente.

**ATTENZIONE!**

– Per il comfort e la sicurezza del paziente che deve essere sollevato, utilizzare esclusivamente l'imbracatura consigliata dal medico, dall'infermiere o dall'assistente sanitario che seguono il paziente. Le imbracature per pazienti Invacare sono appositamente progettate per l'uso con i sollevatori Invacare. In alcuni casi è possibile utilizzare imbracature di altri produttori con i sollevatori Invacare. Per ulteriori informazioni, contattare l'ufficio Invacare locale.

**Dettaglio A - Sollevatore Stand Assist****Dettaglio B - Attacco dell'imbracatura****Dettaglio C - Freni**

Ⓐ Impugnature	Ⓔ Gamba
Ⓑ Cuscinetto per le ginocchia	Ⓕ Gancio
Ⓒ Pedana	Ⓖ Anello dell'imbracatura
Ⓓ Ruota posteriore	Ⓗ Freno

 Per ulteriori informazioni, fare riferimento al manuale d'uso dell'imbracatura per pazienti.

Il paziente DEVE essere innanzitutto in posizione seduta. Utilizzare la sezione della testiera del letto per posizionare il paziente verticalmente, quindi spostare le gambe sul lato del letto.

1. Chiedere al paziente di tenere le impugnature su entrambi i lati del sollevatore Stand Assist (Dettaglio A).
2. Chiedere al paziente di appoggiarsi sull'imbracatura di sostegno o spostamento.

**ATTENZIONE!**

– Imbracature Stand Assist - Prima di sollevare il paziente, assicurarsi che il bordo inferiore dell'imbracatura sia posizionato sulla parte lombare del paziente e che le braccia siano al di fuori dell'imbracatura.  
– Imbracature Stand Assist di spostamento - Prima di sollevare il paziente, assicurarsi che il bordo inferiore dell'imbracatura sia alla base della colonna vertebrale del

paziente e che le braccia siano al di fuori dell'imbracatura.

3. Assicurarsi che:
  - a. Le ginocchia del paziente siano posizionate saldamente sul relativo supporto.
  - b. I piedi del paziente siano adeguatamente posizionati sulla pedana.
  - c. Imbracature:
    - Il bordo inferiore dell'imbracatura Stand Assist è posizionato sulla parte lombare del paziente.
    - Il bordo inferiore dell'imbracatura Stand Assist di spostamento è posizionato sulla base della colonna vertebrale del paziente.
    - Le braccia del paziente sono al di fuori dell'imbracatura.
    - Gli anelli dell'imbracatura sono completamente sui ganci dei bracci di sollevamento (Dettaglio B).
  - d. Le ruote posteriori sono sbloccate.
  - e. Le gambe si trovano nella posizione di massima apertura.

**ATTENZIONE!**

– Se si sposta un paziente da una carrozzina, i freni di quest'ultima DEVONO essere in posizione bloccata prima di abbassare il paziente nella carrozzina. In caso contrario, possono verificarsi lesioni.

4. In caso di spostamento da una carrozzina, inserire i freni sulla carrozzina (Dettaglio C).
5. Premere il pulsante freccia SU sulla pulsantiera per sollevare il paziente sopra la superficie (letto, carrozzina o comoda). Il peso del paziente viene sostenuto completamente dal sollevatore Stand Assist.



Il baricentro più basso fornisce stabilità, facendo sentire il paziente più sicuro e rendendo il sollevatore più facile da spostare.

**5.4 Spostamento del paziente****ATTENZIONE!**

– Le gambe del sollevatore Stand Assist DEVONO essere nella posizione di massima apertura per ottimizzare la stabilità e la sicurezza. Se il paziente si trova in un'imbracatura e occorre spostarsi attraverso un passaggio stretto, chiudere le gambe del sollevatore Stand Assist solo per lo spazio necessario per spostarsi attraverso il passaggio. Quando il sollevatore Stand Assist ha superato il passaggio, riportare le gambe nella posizione di massima apertura.  
– Durante lo spostamento di un paziente sospeso all'imbracatura del sollevatore, NON spingere le ruote su superfici irregolari che potrebbero causare uno sbilanciamento del sollevatore. Ciò potrebbe portare a un ribaltamento del sollevatore. Utilizzare sempre il manico dell'albero per spingere o tirare il sollevatore.

1. Assicurarsi che le gambe del sollevatore Stand Assist si trovino nella posizione di massima apertura. Altrimenti premere il pulsante OPEN LEGS (APERTURA GAMBE) sulla pulsantiera per spostare le gambe nella posizione di massima apertura.
2. Allontanare il sollevatore Stand Assist dalla superficie da cui viene spostato.

3. Spostare lentamente il paziente verso la superficie desiderata.

## 6 Trasferimento del paziente

### 6.1 Spostamento sicuro



#### ATTENZIONE!

- NON superare il limite massimo di peso (SWL) di 159 kg.
- NON tentare di spostare il paziente senza l'approvazione di un professionista sanitario. Leggere attentamente le istruzioni contenute nel presente manuale d'uso, osservare un team qualificato di esperti eseguire le procedure di sollevamento, quindi effettuare più volte l'intera procedura di sollevamento con l'adeguata supervisione e con una persona abile che funga da paziente. Può essere fornito un corso di formazione. Per ulteriori informazioni, contattare l'ufficio Invacare locale.
- NON spostare il paziente se l'imbracatura non è collegata adeguatamente ai punti di attacco del sollevatore Stand Assist. Controllare che l'imbracatura sia collegata correttamente ai punti di attacco prima di sollevare un paziente. Se gli attacchi non sono posizionati adeguatamente, correggere il problema. Quando l'imbracatura viene sollevata di qualche cm/pollice dalla superficie fissa e prima di spostare il paziente, assicurarsi di nuovo che tutti gli attacchi dell'imbracatura siano fissati saldamente. Se gli attacchi non sono posizionati adeguatamente, abbassare di nuovo il paziente sulla superficie fissa e correggere il problema, altrimenti possono verificarsi lesioni o danni.



#### ATTENZIONE!

- Le regolazioni di sicurezza e comfort devono essere eseguite prima di spostare il paziente. Le braccia del paziente devono essere al di fuori delle cinghie.
- Per il comfort e la sicurezza del paziente che deve essere sollevato, utilizzare esclusivamente l'imbracatura consigliata da un professionista sanitario.
- NON bloccare le ruote posteriori del sollevatore Stand Assist quando si solleva un paziente. Il blocco delle ruote posteriori potrebbe causare il ribaltamento del sollevatore Stand Assist e mettere in pericolo il paziente e gli assistenti.
- Le gambe del sollevatore Stand Assist DEVONO essere nella posizione di massima apertura per ottimizzare la stabilità e la sicurezza. Se il paziente si trova in un'imbracatura e occorre spostarsi attraverso un passaggio stretto, chiudere le gambe del sollevatore Stand Assist solo per lo spazio necessario per spostarsi attraverso il passaggio. Quando il sollevatore Stand Assist ha superato il passaggio, riportare le gambe nella posizione di massima apertura. Se è necessario chiudere le gambe per spingere il sollevatore Stand Assist sotto il letto, chiudere le gambe solo finché il sollevatore Stand Assist non viene posizionato sul paziente e finché il paziente non si allontana dal letto. Quando le gambe del sollevatore Stand Assist non sono più sotto il letto, riportare le gambe alla posizione di massima apertura.
- Assicurarsi di controllare gli attacchi dell'imbracatura ogni volta che questa viene rimossa e sostituita, al fine di garantire che sia fissata correttamente prima di spostare il paziente da una superficie.

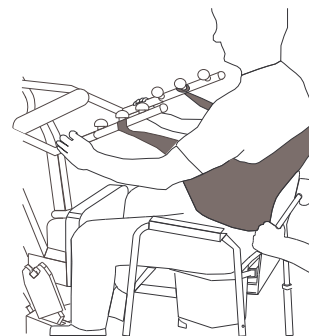
Lo svolgimento con un assistente si basa sulla valutazione del professionista sanitario per ogni singolo caso.

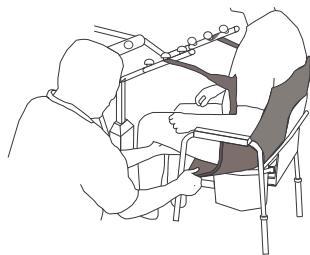
### 6.2 Spostamento su una comoda

Dettaglio A



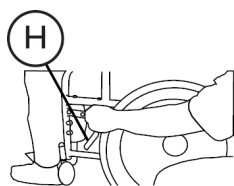
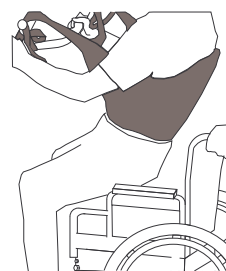
Dettaglio B



**Dettaglio C****ATTENZIONE!**

– Invacare raccomanda di bloccare le ruote girevoli posteriori solo durante il posizionamento o la rimozione dell'imbracatura intorno al paziente.

1. Sollevare il paziente dal lato del letto.
  2. Premere il pulsante SU sulla pulsantiera per sollevare il paziente a un'altezza sufficiente a liberare i braccioli della carrozzina comoda. Il peso viene sostenuto dal sollevatore Stand Assist.
  3. Guidare il paziente sulla carrozzina comoda. Ciò potrebbe richiedere due assistenti.
  4. Premere il pulsante freccia giù per abbassare il paziente sulla carrozzina comoda.
  5. Bloccare le ruote girevoli posteriori sul sollevatore Stand Assist.
  6. A seconda dello stile dell'imbracatura, effettuare una delle seguenti operazioni:
    - Imbracatura Stand Assist - sganciare l'imbracatura Stand Assist dai punti di attacco del sollevatore Stand Assist.
    - Imbracatura Stand Assist di spostamento -
      - a. sganciare l'imbracatura Stand Assist di spostamento dai punti di attacco inferiori del sollevatore Stand Assist.
      - b. Sollevare le gambe del paziente e rimuovere i supporti per le cosce posti sotto il paziente.
      - c. Se lo si desidera, sganciare l'imbracatura Stand Assist di spostamento dai punti di attacco superiori del sollevatore Stand Assist.
- i** Il paziente può rimanere nella parte superiore dell'imbracatura Stand Assist di spostamento mentre si utilizza la comoda.
7. Chiedere al paziente di sollevare i piedi dalla pedana o assisterlo in tale operazione.
  8. Rimuovere l'imbracatura intorno al paziente.
  9. Sbloccare le ruote posteriori e allontanare il sollevatore Stand Assist dalla comoda.
  10. Al termine, verificare nuovamente il fissaggio corretto dell'imbracatura.

**6.3 Spostamento su una carrozzina****Dettaglio A****Dettaglio B****Dettaglio C**

**H** = Freno della carrozzina

1. Assicurarsi che le gambe del sollevatore con il paziente nell'imbracatura si trovino nella posizione di apertura.
2. Spostare la carrozzina in posizione.
3. Inserire i freni della carrozzina per evitare lo spostamento della carrozzina (Dettaglio A).

**ATTENZIONE!**

– NON posizionare il paziente nella carrozzina se i freni non sono inseriti. I freni della carrozzina DEVONO essere in posizione bloccata prima di abbassare il paziente nella carrozzina per il trasporto. In caso contrario, possono verificarsi lesioni.

4. Posizionare il paziente sulla carrozzina (Dettaglio "B").
5. Premere il pulsante freccia giù e abbassare il paziente nella carrozzina.

**ATTENZIONE!**


– Bloccare le ruote girevoli posteriori SOLO durante il posizionamento o la rimozione dell'imbracatura (Stand Assist o Stand Assist di spostamento) intorno al paziente. In caso contrario, possono verificarsi lesioni.

6. Bloccare le ruote girevoli posteriori.
7. Sganciare l'imbracatura da tutti i punti di attacco del sollevatore (Dettaglio C).
8. Chiedere al paziente di sollevare i piedi dalla pedana. Assisterlo, se necessario.
9. Rimuovere l'imbracatura intorno al paziente.
10. Sbloccare le ruote posteriori e allontanare il sollevatore Stand Assist dalla carrozzina.

**6.4 Trasferimento su un letto**

Il baricentro più basso fornisce stabilità, facendo sentire il paziente più sicuro e rendendo il sollevatore più facile da spostare.

1. Posizionare il paziente il più possibile sul letto.


 Se il paziente viene spostato da una superficie più bassa rispetto al letto, premere il pulsante freccia su per sollevare il paziente al di sopra della superficie del letto. Il paziente deve essere sollevato a un'altezza tale che il peso sia supportato completamente dal sollevatore.

2. Premere il pulsante freccia giù e abbassare il paziente sul letto.



**ATTENZIONE!**

– Invacare raccomanda di bloccare le ruote girevoli posteriori SOLO durante il posizionamento o la rimozione dell'imbracatura intorno al paziente.

3. Bloccare le ruote girevoli posteriori.
4. Sganciare l'imbracatura Stand Assist o Stand Assist di trasferimento da tutti i punti di attacco del sollevatore Stand Assist.
5. Chiedere al paziente di sollevare i piedi dalla pedana.  
 Assisterlo, se necessario.
6. Rimuovere l'imbracatura Stand Assist o Stand Assist di trasferimento intorno al paziente.
7. Sbloccare le ruote posteriori e allontanare il sollevatore Stand Assist dal letto.

## 7 Guida alla soluzione dei problemi

### 7.1 Tabella delle soluzioni dei problemi

SINTOMI	GUASTI	SOLUZIONE
Suono rumoroso o secco dei perni.	Lubrificazione necessaria.	Fare riferimento alla sezione 8.5 <i>Lubrificazione del sollevatore, pagina 129</i>
L'attuatore elettrico non riesce a sollevare quando viene premuto il pulsante.	Connettore della pulsantiera o dell'attuatore allentato.	Collegare il connettore della pulsantiera o dell'attuatore. Assicurarsi che i connettori siano inseriti correttamente e siano completamente collegati.
	Batteria scarica.	Caricare le batterie. Fare riferimento alla sezione 4.7 <i>Carica della batteria, pagina 117</i>
	Il pulsante rosso di arresto di emergenza è PREMUTO.	Ruotare il pulsante ROSSO di arresto di emergenza IN SENSO ORARIO finché non scatta sollevandosi.
	Batteria non collegata correttamente alla centralina.	Ricollegare la batteria alla centralina. Fare riferimento alla sezione 4.7 <i>Carica della batteria, pagina 117</i>
	I terminali di collegamento sono danneggiati.	Sostituire il gruppo batterie. Fare riferimento alla sezione 4.7 <i>Carica della batteria, pagina 117</i> .
	L'attuatore elettrico necessita di manutenzione oppure il carico è troppo elevato.	Fare riferimento alla sezione 8.7 <i>Sostituzione dell'attuatore elettrico, pagina 130</i> Contattare il rivenditore o il rappresentate Invacare.
Rumore inconsueto dall'attuatore del braccio di sollevamento.	L'attuatore è usurato o danneggiato o il mandrino è piegato.	Fare riferimento alla sezione 8.7 <i>Sostituzione dell'attuatore elettrico, pagina 130</i> Contattare il rivenditore o il rappresentate Invacare.
I bracci di sollevamento non si abbassano quando si trovano nella posizione superiore.	I bracci di sollevamento richiedono un peso minimo come carico per abbassarsi dalla posizione superiore.	Tirare i bracci di sollevamento leggermente verso il basso.
Le gambe non si aprono e chiudono correttamente.	Potrebbe essere necessaria una regolazione della base.	Fare riferimento alla sezione 8.6 <i>Regolazione della base, pagina 129</i>



Se i problemi non vengono risolti con quanto suggerito, contattare il rivenditore o Invacare.

## 8 Manutenzione

### 8.1 Lista di controllo per la sicurezza e la manutenzione



#### ATTENZIONE!

- La manutenzione DEVE essere eseguita ESCLUSIVAMENTE da personale qualificato.
- Una persona competente deve garantire che la forza e la stabilità del prodotto rimangano adeguate per tutte le attività se le parti vengono sostituite.
- NON sovraccaricare gli elementi di montaggio, poiché le staffe di fissaggio potrebbero essere danneggiate.



Seguire le procedure di manutenzione descritte nel presente manuale per mantenere il sollevatore in servizio continuo.

Il sollevatore Invacare è progettato per fornire il massimo di sicurezza, efficienza e servizio soddisfacente con cura e manutenzione minime.

Tutte le parti del sollevatore Invacare sono realizzate con i migliori gradi di acciaio, tuttavia un contatto metallo-metallo causa usura dopo un uso notevole.

Non è necessaria alcuna regolazione o manutenzione delle ruote, ma soltanto la pulizia, la lubrificazione e il controllo del serraggio dei bulloni dell'asse e di quelli di orientamento. Rimuovere tutta la sporcizia, ecc. dalle ruote e dai cuscinetti girevoli. In caso di parti usurate, sostituirle IMMEDIATAMENTE.

In caso di dubbi sulla sicurezza di qualsiasi parte del sollevatore, contattare IMMEDIATAMENTE il rivenditore.

Le normative sulle operazioni e sulle attrezzature di sollevamento del 1998 del Comitato esecutivo per la salute e la sicurezza del Regno Unito richiedono che ogni attrezzatura utilizzata nei luoghi di lavoro per sollevare un carico sia sottoposta a un controllo di sicurezza una volta ogni sei mesi. Tale controllo deve essere eseguito da un tecnico adeguatamente formato. Per istruzioni, fare riferimento al sito Web HSE ([www.hse.gov.uk](http://www.hse.gov.uk)).

La manutenzione regolare del sollevatore e degli accessori è necessaria per garantire il corretto funzionamento. È responsabilità della persona addetta al sollevatore garantire che la manutenzione venga effettuata.

Dopo i primi 12 mesi di utilizzo, controllare tutti i punti di snodo e fissaggio per verificare che non siano usurati. Se il metallo è usurato, le parti DEVONO essere sostituite. Successivamente, eseguire questa ispezione ogni sei mesi.

Data di controllo:	Iniziali:
<b>LA BASE DELLE RUOTE</b>	
<input type="checkbox"/> Verificare che non manchino gli elementi. <input type="checkbox"/> La base si apre/chiude con facilità. <input type="checkbox"/> Verificare la tenuta delle ruote e dei perni girevoli. <input type="checkbox"/> Verificare che le ruote si orientino e scorrono agevolmente. <input type="checkbox"/> Controllare e pulire le ruote dalla sporcizia. <input type="checkbox"/> Verificare che i punti di snodo non siano usurati.	

#### IMBRACATURE ED ELEMENTI

- Controllare tutti gli attacchi delle imbracature ogni volta che vengono utilizzati per garantire un corretto fissaggio e la sicurezza dei pazienti.
- Verificare che il materiale delle imbracature non sia usurato.
- Verificare che le cinghie non siano usurate.
- Controllare le cuciture.

#### IL GRUPPO ATTUATORE ELETTRICO

- Controllare l'assenza di perdite.
- Controllare gli elementi sull'albero, sul braccio e sulla base.
- Verificare che non siano presenti segni di usura o di deterioramento. In caso di danni, restituire alla fabbrica.
- Eseguire un ciclo per garantire il corretto funzionamento regolare e silenzioso dell'attuatore elettrico.

#### BRACCI DI SOLLEVAMENTO E PARTI DI COLLEGAMENTO

- Controllare tutti gli elementi e i punti di fissaggio.
- Verificare che non siano presenti piegature o curvature.
- Verificare che le giunture imbullonate dei bracci di sollevamento non siano usurate.
- Controllare per assicurarsi che i bracci di sollevamento siano centrati tra le gambe della base.
- Verificare che i punti di snodo non siano usurati.
- Verificare che i ganci dell'imbracatura non siano usurati o che non presentino curvature.

#### L'ALBERO

- L'albero deve essere saldamente montato sui bracci di sollevamento.
- Verificare che non siano presenti piegature o curvature.
- Verificare che i punti di snodo non siano usurati.

#### PULIZIA

- Ogni volta necessario.

### 8.2 Pulizia dell'imbracatura e del sollevatore



#### ATTENZIONE!

- Dopo OGNI lavaggio (nel rispetto delle istruzioni di lavaggio riportate sull'imbracatura), controllare che l'imbracatura non presenti segni di usura, logoramento e cuciture allentate. Gettare via IMMEDIATAMENTE le imbracature per pazienti con queste caratteristiche.

#### Pulizia dell'imbracatura

L'imbracatura deve essere lavata regolarmente con acqua a temperatura non superiore a 95°C e una soluzione biologica. Fare riferimento alle istruzioni di lavaggio presenti nel manuale d'uso dell'imbracatura.

#### Pulizia e disinfezione del sollevatore

Per evitare la trasmissione di infezioni, il sollevatore deve essere pulito e disinfettato dopo ogni uso.



Per la pulizia del sollevatore è necessario un panno morbido inumidito con acqua e una piccola quantità di detergente neutro. Il sollevatore può essere pulito con un detergente non abrasivo.

Non utilizzare mai acidi, alcalini o solventi per pulire il sollevatore. Asciugare con cura dopo la pulizia.

I motori, l'unità di controllo e gli elementi di montaggio possono essere danneggiati se il sollevatore viene pulito in modo diverso da quanto indicato in precedenza.

Il sollevatore deve essere pulito con un panno umido e ben strizzato, con normali disinfettanti per uso domestico. Utilizzare esclusivamente disinfettanti approvati dalla struttura sanitaria.

### 8.3 Riutilizzo

Questo prodotto è adatto per essere riutilizzato. Il numero massimo di volte per cui può essere riutilizzato dipende dalla condizione del prodotto.

Per evitare la trasmissione di infezioni, il sollevatore e le imbracature devono essere puliti dopo ogni uso. Prima del riutilizzo, fare riferimento alla sezione 8.2 *Pulizia dell'imbracatura e del sollevatore*, pagina 128

### 8.4 Rilevamento di usura e danni

È importante verificare che in tutte le parti che subiscono uno sforzo, come le imbracature, il braccio di sollevamento e qualsiasi perno per le imbracature, non siano presenti segni di rottura, sfilacciamento, deformazione o deterioramento. Sostituire IMMEDIATAMENTE le parti difettose e assicurarsi che il sollevatore non venga utilizzato finché non vengono eseguite le riparazioni.

### 8.5 Lubrificazione del sollevatore

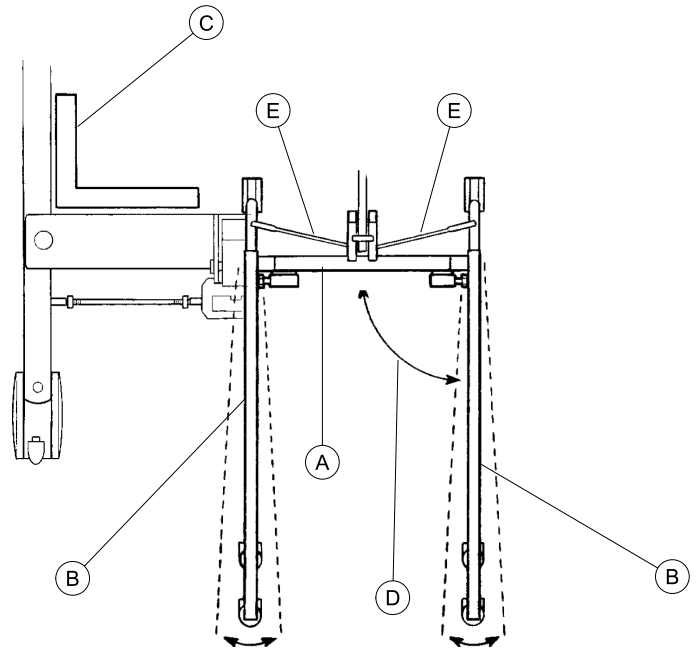
Il sollevatore Invacare è progettato per richiedere una manutenzione minima. Tuttavia, un controllo semestrale e la lubrificazione dovrebbero garantire sicurezza e affidabilità nel tempo.

Tenere il sollevatore e le imbracature puliti e in perfette condizioni di funzionamento. Qualsiasi difetto deve essere rilevato e segnalato il prima possibile al proprio rivenditore.

Le ruote DEVONO orientarsi e scorrere agevolmente. È possibile applicare un grasso leggero (lubrificante auto impermeabile) sui cuscinetti a sfera delle ruote una volta

all'anno. Applicare con maggiore frequenza se le ruote sono esposte a estreme condizioni di umidità.

### 8.6 Regolazione della base



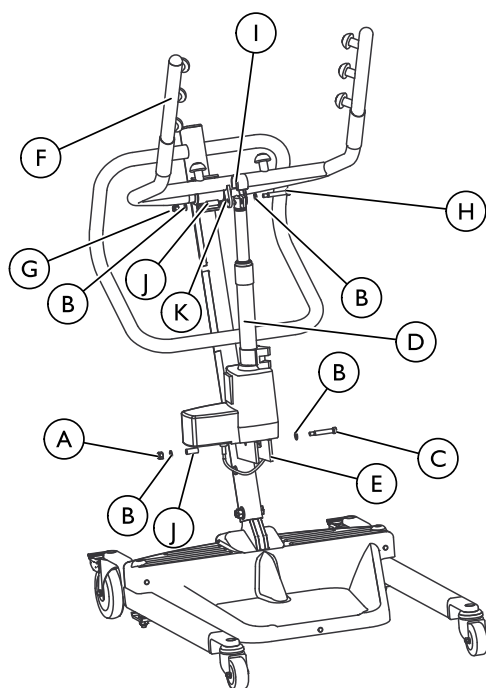
La regolazione della base (A) non dovrebbe richiedere ulteriori attenzioni, a parte la regolazione della tiranteria.

- ! Si rischia di danneggiare il sollevatore.
- Le gambe devono essere in posizione completamente chiusa prima di regolare la tiranteria.

1. Chiudere completamente le gambe del sollevatore. Fare riferimento alla sezione 4.2.1 *Chiusura/apertura manuale delle gambe*, pagina 116
2. Controllare la perpendicolarità delle gambe (B) quando si trovano in posizione chiusa.
3. Posizionare una squadra (C) tra l'interno delle gambe e la base per determinare l'allineamento a 90° (D).
4. Regolare la tiranteria (E) fino a ottenere l'allineamento a 90°.

- ! Si rischia di danneggiare il sollevatore.
- NON regolare la tiranteria in modo che le gambe presentino un allineamento inferiore a 90°.

## 8.7 Sostituzione dell'attuatore elettrico



Ⓐ Dado inferiore	Ⓒ Dado superiore
Ⓑ Rondella	Ⓓ Bullone
Ⓒ Bullone a colletto	Ⓛ Staffa
Ⓓ Attuatore elettrico	Ⓜ Boccola
Ⓛ Staffa di fissaggio dell'albero	Ⓨ Staffa di fissaggio del braccio di sollevamento
Ⓨ Braccio di sollevamento	



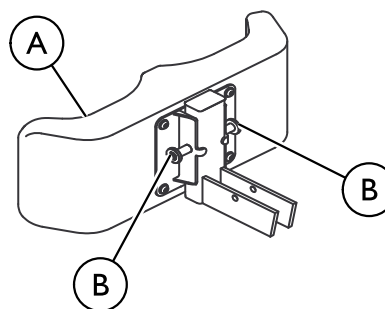
### ATTENZIONE!

– NON stringere eccessivamente gli elementi di montaggio. Questo danneggia le staffe di fissaggio.

1. Rimuovere il dado inferiore, le rondelle, il bullone a colletto e la boccola che bloccano l'attuatore elettrico alla staffa di fissaggio dell'albero.
2. Appoggiare il braccio di sollevamento sulla spalla e rimuovere il dado superiore, il bullone, la staffa, la boccola (se presente) e le rondelle dalla staffa di fissaggio del braccio di sollevamento.

3. Rimuovere l'attuatore elettrico.
4. Eseguire i PASSAGGI 1–3 per montare il nuovo attuatore elettrico.

## 8.8 Regolazione dell'altezza del cuscinetto per le ginocchia



Ⓐ Cuscinetto per le ginocchia

Ⓑ Perni di regolazione ginocchia



### ATTENZIONE!

– NON regolare MAI il cuscinetto per le ginocchia mentre il paziente si trova in piedi.  
 – NON cercare MAI di regolare il cuscinetto per le ginocchia mentre il sollevatore è in movimento.  
 – Assicurarsi SEMPRE che i perni di regolazione siano fissati ai corrispettivi fori di regolazione dell'altezza prima dell'uso.

1. Scegliere un'impostazione dell'altezza confortevole per il paziente e fornire il supporto necessario.
  - Il cuscinetto per le ginocchia deve essere posizionato in modo che le ginocchia vengano a contatto con il cuscinetto stesso.
2. Usando entrambe le mani, tirare contemporaneamente i due perni di regolazione verso l'esterno.
3. Posizionare il cuscinetto per le ginocchia all'altezza desiderata e rilasciare i perni di regolazione nei corrispondenti fori di allineamento.
4. Verificare per assicurarsi che entrambi i perni siano fissati.

## 9 Dati Tecnici

### 9.1 Sollevatore paziente Stand Assist RPS3501E e RPS3501FR

Altezza di aggancio dell'imbracatura - MAX	168 cm
Altezza di aggancio dell'imbracatura - MIN	102 cm
Larghezza base (aperta)	94 cm
Larghezza base (chiusa)	66 cm
Altezza base (distanza da terra)	11,5 cm
Lunghezza base	90 cm
Altezza complessiva	125 cm
Lunghezza complessiva	99 cm
Larghezza complessiva	65,5 cm
Dimensione delle ruote (ANTERIORI/POSTERIORI)	8 cm / 13 cm
Opzioni dell'imbracatura	Stand Assist o Stand Assist di spostamento
Materiale dell'imbracatura	Poliestere
Limite massimo di peso (SWL) (paziente + imbracatura)	159 kg
Peso totale (peso fuori imballaggio)	49 kg
Batteria (tensione in uscita)	24 V c.c. mb max. 240 VA (RCHBL)
Ingresso caricabatteria (tensione di alimentazione)	100-240 V c.a. ~ 50/60 Hz
Uscita caricabatteria / tempo di carica	29,5 V c.c. 2,9 Ah massimo 6 ore
Avvisatore audio/acustico di batteria scarica	Sì
Dispositivi di sicurezza del motore	Anti-intrappolamento

*Sollevamenti approssimativi per carica (capacità operativa)	*100-200 cicli per carica
Corrente di ingresso massima	Max. 400 mA
Temperatura di esercizio	da 5 a 40 °C
Umidità dell'aria	dal 20% al 90% a 30, non condensante
Pressione acustica	< 50 dB
Pressione atmosferica	da 700 a 1060 hPa
Temperatura di immagazzinamento	superiore a 0 °C
Umidità dell'aria di immagazzinamento	inferiore al 60%
Pressione atmosferica di immagazzinamento	da 700 hPa a 1060 hPa
Grado di protezione, unità di controllo	IPX4
Grado di protezione, pulsantiera	IPX4
Grado di protezione, motore	IPX4
Classe di isolamento	Apparecchiatura di classe II, parte applicata di tipo B
Intermittente	10%, max, 2 minuti/18 minuti
Capacità della batteria	2,9 Ah
Abbassamento di emergenza manuale	Sì
Abbassamento/sollevamento di emergenza elettrico	Sì/Sì
Durata prevista	8 anni
Velocità di sollevamento	Il sollevatore adotta la "velocità di sollevamento e abbassamento" indicata nello standard ENISO10535 (<0,15 m/s con il carico massimo e <0,25 m/s senza carico)



\* Variabili a seconda del carico e della corsa.



# Inhoudsopgave

Deze handleiding dient te worden overhandigd aan de gebruiker van het product. Lees deze handleiding VÓÓR u het product gebruikt en bewaar hem voor eventuele raadplegingen in de toekomst.

<b>1 Algemeen</b>	<b>134</b>
1.1 Inleiding	134
1.2 Symbolen	134
1.3 Gebruiksdoel	134
1.3.1 Contra-indicaties	135
1.4 Inbegrepen onderdelen	135
1.5 Levensduur	135
1.5.1 Aanvullende informatie	135
1.6 Garantie-informatie	135
1.7 Naleving	135
1.7.1 Productspecifieke normen	135
<b>2 Veiligheid</b>	<b>136</b>
2.1 Algemene richtlijnen	136
2.2 Informatie over de werking	136
2.2.1 Algemeen	136
2.2.2 Plaatsing	136
2.2.3 Afvoeren	137
2.3 Interferentie door radiofrequentie	137
2.4 Productlabels	137
<b>3 Montage</b>	<b>138</b>
3.1 Veilige montage	138
3.2 Het mastgedeelte op het onderstel monteren	138
3.3 Lift klaarmaken voor gebruik	138
3.4 Plaats de schuifhandgreep	138
3.5 De montagebeugel van de acculader aan de muur bevestigen	138
<b>4 Gebruik</b>	<b>140</b>
4.1 Inleiding	140
4.2 De poten inklappen en uitklappen	140
4.2.1 De poten uitklappen en inklappen	140
4.3 De achterste vergrendeling in- of uitschakelen	140
4.4 De lift omhoog/omlaag brengen	140
4.4.1 Een elektrische lift omhoog of omlaag brengen	140
4.5 Een mechanische noodstop activeren	141
4.5.1 Primaire noodstop	141
4.5.2 Secundaire noodstop	141
4.6 Een noodstop uitvoeren	142
4.7 De accu opladen	142
4.7.1 Acculampje	142
4.7.2 De accu opladen met een voedingskabel	142
4.7.3 De accu opladen met de acculader	143
<b>5 De patiënt optillen</b>	<b>144</b>
5.1 Veilig omhoog tillen	144
5.2 Het omhoog tillen voorbereiden	145
5.3 De patiënt optillen	145
5.4 De patiënt verplaatsen	146
<b>6 De patiënt verplaatsen</b>	<b>147</b>
6.1 Veilige verplaatsing	147
6.2 Verplaatsen naar een toiletstoel	147
6.3 Verplaatsen naar een rolstoel	148
6.4 Verplaatsen naar een bed	148
<b>7 Problemen oplossen</b>	<b>150</b>
7.1 Tabel voor het oplossen van problemen	150
<b>8 Onderhoud</b>	<b>151</b>
8.1 Vedligeholdelse, afkrydsningsliste til sikkerhedsinspektion	151
8.2 De draagband en de lift reinigen	151
8.3 Hergebruiken	152
8.4 Controleren op slijtage en beschadiging	152
8.5 De lift smeren	152
8.6 Onderhoud aan de instellingen van het onderstel	152
8.7 De elektrische actuator vervangen	152
8.8 De hoogte van het kniekussen instellen	153

## 9 Technische Specificaties . . . . . 154

9.1 RPS350-1E en RPS350-1FR Stand Assist Patiëntlift	154
--	-----

# 1 Algemeen

## 1.1 Inleiding

Deze gebruiksaanwijzing bevat belangrijke informatie over het gebruik van dit product. Lees de gebruiksaanwijzing aandachtig door en volg de veiligheidsinstructies op om zeker te zijn van een veilig gebruik van het product.

Gelieve te noteren dat er waarschijnlijk secties in deze handleiding vermeld zijn die misschien niet relevant zijn voor uw product, maar deze handleiding verwijst naar alle modellen (op de dag van uitgifte). Elke sectie van deze handleiding verwijst naar alle modellen van dit product, tenzij anders vermeld.

De modellen en uitvoeringen die in uw land beschikbaar zijn, zijn te vinden op de prijslijst van het desbetreffende land.

Invacare behoudt zicht het recht om productspecificaties te wijzigen zonder voorafgaand bericht.

Controleer voordat u deze gebruiksaanwijzing leest of u de juiste versie hebt. U vindt een pdf-bestand met de laatste versie op de Invacare-website.

Mocht u problemen ondervinden met de lettergrootte van deze handleiding, kunt u de PDF versie downloaden via onze website. U kunt deze dan uitvergroten op uw scherm tot de gewenste lettergrootte.

Voor meer informatie over dit product, contacteer uw Invacare vertegenwoordiger. Een overzicht kunt u terugvinden op de laatste bladzijde van deze handleiding.

## 1.2 Symbolen

In deze handleiding worden symbolen gebruikt die van toepassing zijn op gevaren of onveilige handelingen die kunnen leiden tot persoonlijk letsel of schade aan eigendommen. Zie de onderstaande informatie voor de definities van de symbolen.



### WAARSCHUWING!

– Een waarschuwing duidt op een mogelijk gevaarlijke situatie die, indien deze niet wordt vermeden, kan leiden tot overlijden of ernstig letsel.



### LET OP!

– De aanduiding 'Voorzichtig' duidt op een mogelijk gevaarlijke situatie die, indien deze niet wordt vermeden, kan leiden tot schade aan eigendommen en/of licht lichamelijk letsel.



### BELANGRIJK

– Duidt op een gevaarlijke situatie die kan leiden tot schade aan eigendommen als de situatie niet wordt vermeden.



Nuttige tips, adviezen en informatie voor efficiënt, probleemloos gebruik.



Fabricagedatum.



Dit product voldoet aan richtlijn 93/42/EEG betreffende medische hulpmiddelen.

De introductiedatum van dit product staat vermeld in de CE-conformiteitsverklaring.



Lees de handleiding



Geluid wanneer batterij bijna leeg is. Zie 4.7 *De accu opladen, pagina 142*



Zwenkwielvergrendeling.



Poten inklappen/uitklappen



De arm omhoog/omlaag brengen



Noodstop



Veilig te belasten tot maximaal



Dubbel geïsoleerde, klasse II-apparaat



Toegepast onderdeel van type B



Dit product recycelen. Zie 2.2.3 *Afvoeren, pagina 137*

## 1.3 Gebruiksdoel



### WAARSCHUWING!

#### Risico op vallen

De mobiele patiëntlift van Invacare is GEEN vervoermiddel. De lift heeft tot doel een persoon van het ene zittende oppervlak naar het andere te verplaatsen (bijvoorbeeld van een bed naar een rolstoel).

Invacare-draagbanden en -patiëntliftaccessoires zijn specifiek ontworpen voor gebruik in combinatie met Invacare-patiëntliften.

Ter voorkoming van letsel of vallen:

- Een patiënt die met de Stand Assist-lift wordt verplaatst, MOET in staat zijn mee te werken, zich voldoende bewust zijn van de situatie en een goede controle hebben over hoofd en nek. Er kan anders lichamelijk letsel optreden.
- Een patiënt die met de Stand Assist-sling wordt verplaatst, MOET in staat zijn een groot deel van zijn/haar eigen gewicht te ondersteunen. Er kan anders lichamelijk letsel of schade optreden. Raadpleeg de gebruikershandleiding bij de sling voor meer informatie.

De mobiele patiëntlift werkt op een accu en is ontworpen voor de meeste situaties waarin doorgaans getild moet worden, zoals:

- tussen het bed en een rolstoel;
- van en naar het toilet;

De verplaatsbare patiëntlift is uitsluitend bedoeld voor het optillen van patiënten die de maximale gewichtslimiet volgens de technische gegevens niet overschrijden.

Het product is alleen bedoeld voor gebruik binnenshuis.

Voor een veilig gebruik van de patiëntlift is het belangrijk om bij elk persoon de juiste draagbanden en accessoires te kiezen. Zie de Invacare-gebruikershandleidingen bij de draagbanden en accessoires voor meer informatie over deze hulpmiddelen.

Invacare raadt u aan om de patiënt voor het baden te verplaatsen naar bijvoorbeeld een douchestoel of iets vergelijkbaars.

De mobiele patiëntlift kan worden gedraaid (om zijn as) voor het verplaatsen van patiënten in kleine ruimten.

### 1.3.1 Contra-indicaties

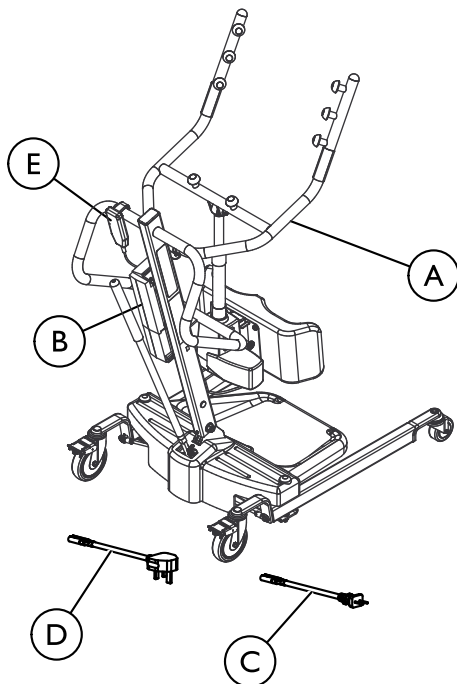
Het gebruik van de Stand Assist-patiëntlift is gecontra-indiceerd voor patiënten die:

- niet kunnen meewerken
- zich niet bewust zijn van de situatie
- geen goede controle hebben over hoofd en nek

Sommige slings die zijn bedoeld voor de Stand Assist-patiëntlift zijn gecontra-indiceerd voor gebruik bij patiënten die het grootste deel van hun gewicht niet kunnen ondersteunen. Raadpleeg de gebruikershandleiding bij de sling voor meer informatie.

## 1.4 Inbegrepen onderdelen

In de tabellen staan de onderdelen weergegeven die bij levering zijn inbegrepen. De slings worden los verkocht. De oplader wordt mogelijk ook los verkocht.



Onderdeel	Omschrijving	Aantal
A	Verhoging	1

B	Accu	1
C	Oplaadsnoer, EU	1
D	Oplaadsnoer, VK (alleen RPS350-1E)	1
E	Handbeugel	1
F	Gebruikershandleiding verhoging (niet weergegeven)	1

## 1.5 Levensduur

De verwachte levensduur van dit product is acht jaar bij dagelijks gebruik en in overeenstemming met de veiligheidsinstructies, onderhoudstermijnen en bij correct gebruik, zoals aangegeven in deze handleiding. De effectieve levensduur kan variëren afhankelijk van de frequentie en intensiteit van het gebruik.

### 1.5.1 Aanvullende informatie

De verwachte levensduur wordt gebaseerd op een geschat gemiddelde van 4 liftcycli per dag.

## 1.6 Garantie-informatie

Wij bieden voor dit product een fabrieksgarantie in overeenstemming met onze Algemene Voorwaarden in de respectievelijke landen.

Garantieclaims kunnen alleen worden ingediend via de dealer bij wie u het product hebt gekocht.

## 1.7 Naleving

Kwaliteit is cruciaal bij onze bedrijfsactiviteiten, waarbij wordt gewerkt binnen de normen van ISO 13485.

Dit product is voorzien van het CE-merk, conform Richtlijn 93/42/EEG betreffende medische hulpmiddelen, klasse 1.

Wij werken er continu aan om ervoor te zorgen dat het effect van het bedrijf op het milieu, zowel lokaal als internationaal, zo veel mogelijk wordt beperkt.

Wij maken uitsluitend gebruik van materialen en onderdelen die voldoen aan de REACH-richtlijnen.

Wij leven de huidige milieuwetgeving AEEA en RoHS na.

### 1.7.1 Productspecifieke normen

Het product is getest en voldoet aan de norm ISO 10535 (Tilliften voor het verplaatsen van gehandicapten) en alle bijbehorende normen.

Neem voor meer informatie over de lokale normen en voorschriften contact op met uw lokale Invacare-vertegenwoordiger. Zie de adressen aan het einde van dit document.

## 2 Veiligheid

### 2.1 Algemene richtlijnen



#### WAARSCHUWING!

– Gebruik dit product of de beschikbare optionele apparatuur ALLEEN wanneer u deze instructies en het eventuele aanvullende instructiemateriaal volledig hebt doorgelezen en begrepen, zoals gebruikershandleidingen, servicehandleidingen of instructiebladen die bij dit product of de optionele apparatuur worden verstrekt. Als u niet in staat bent de gevaren, aandachtspunten of instructies te begrijpen, neemt u contact op met een zorgverlener, dealer of technische staf voordat u dit apparaat gaat gebruiken. Er kan anders letsel of schade optreden.

#### WAARSCHUWING ACCESSOIRES

Invacare-producten zijn specifiek ontworpen en vervaardigd voor gebruik in combinatie met Invacare accessoires.

Accessoires die door andere fabrikanten zijn ontworpen zijn niet getest door Invacare en worden niet aanbevolen voor gebruik met Invacare-producten. In sommige gevallen is het gebruik van een sling van een andere fabrikant echter wel mogelijk.

– Neem contact op met het plaatselijke Invacare-kantoor voor meer informatie over accessoires.



#### KENNISGEVING

– De informatie in dit document kan zonder voorafgaande kennisgeving worden gewijzigd.

Controleer vóór gebruik alle onderdelen op transportschade. Gebruik het apparaat NIET in geval van schade. Neem contact op met de dealer of Invacare-vertegenwoordiger voor verdere instructies.

### 2.2 Informatie over de werking

Dit deel van de handleiding bevat algemene veiligheidsinformatie over uw product. Raadpleeg voor specifieke veiligheidsinformatie het betreffende deel van de handleiding en de procedures in dat deel. Raadpleeg bijvoorbeeld voor veiligheidsinformatie met betrekking tot het monteren van de lift hoofdstuk 3 *Montage, pagina 138*

#### 2.2.1 Algemeen



#### WAARSCHUWING!

##### Risico op vallen

Verplaats een patiënt NOOIT zonder toestemming van de arts van de patiënt, een verpleegkundige of een arts-assistent. Lees de instructies in deze gebruikershandleiding zorgvuldig door, observeer een liftprocedure wanneer deze wordt uitgevoerd door een gekwalificeerd team en voer vervolgens de liftprocedure zelf diverse keren uit onder supervisie en met de juiste begeleiding, waarbij een valide persoon de rol van patiënt speelt.

- Gebruik bij alle liften uw gezonde verstand. U MOET bijzonder voorzichtig zijn met mensen met beperktheden die niet kunnen helpen terwijl ze omhoog worden getild.
- Gebruik altijd de stuurhandgreep op de mast om de patiëntlift te duwen of te trekken.
- Controleer de bevestigingspunten van de draagband telkens wanneer u deze verwijdert of verplaatst om ervoor te zorgen dat de band goed vastzit voordat u een patiënt uit een stilstaand object verwijdert (bed, stoel of toilet).



#### WAARSCHUWING!

##### Risico op letsel of schade

Op sommige typen ondergrond kan de lift instabiel worden, wat kan leiden tot letsel of schade. De lift kan in de badkamer worden gebruikt. Als de lift echter te nat wordt, kan de lift beschadigd raken en mogelijk letsel veroorzaken.

- Gebruik de lift niet op een helling. Invacare adviseert de lift alleen op een vlakke ondergrond te gebruiken.
- Rol het onderstel NIET over ongelijke oppervlakken; zo voorkomt u dat de patiëntlift omvalt.
- Gebruik de patiëntlift NIET onder de douche, in bad of ergens anders waar het erg nat is.
- Zorg dat de patiëntlift na gebruik goed wordt afgedroogd.
- Sla de lift NIET op in een vochtige ruimte of in vochtige omstandigheden. Zie de voorwaarden voor opslagtemperatuur, vochtigheid en druk in *7.1 Tabel voor het oplossen van problemen, pagina 150*
- Inspecteer regelmatig alle onderdelen van de patiëntlift op tekenen van roestvorming. Vervang alle onderdelen met roestsproten of schade.

#### 2.2.2 Plaatsing

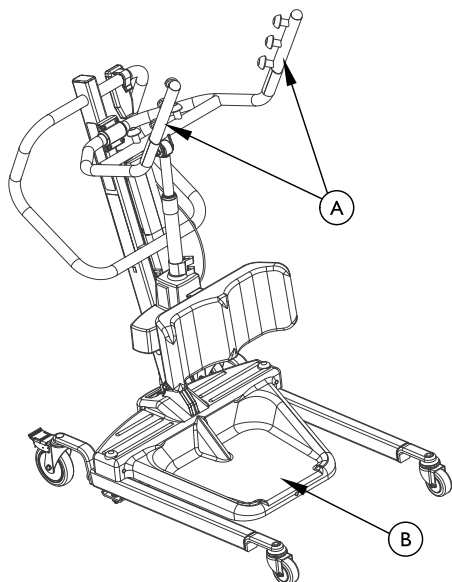


#### WAARSCHUWING!

##### Risico op lichamelijk letsel

- Zorg dat u ALTIJD weet waar de liftarmen zich bevinden. Al u deze regel niet in acht neemt, kan dit leiden tot letsel bij de patiënt of de assistent.
- Zorg dat u ALTIJD weet waar de voetsteun zich bevindt en met name de positie van de patiënt op de voetsteun. Als u deze regel niet in acht neemt, kan dit leiden tot letsel bij de patiënt of de assistent.





- i (A) = Liftarmen
- (B) = Voetsteun

### 2.2.3 Afvoeren



**WAARSCHUWING!**

**Potentieel schadelijk voor het milieu**

Dit product is afkomstig van een milieubewuste fabrikant conform richtlijn 2012/19/EU betreffende afgedankte elektrische en elektronische apparatuur (AEEA).

Het apparaat bevat accu's met loodzuur.

Dit product bevat mogelijk stoffen die schadelijk kunnen zijn voor het milieu wanneer ze worden verwijderd op plaatsen (stortterreinen) die niet in overeenstemming zijn met de wetgeving.

- Gooi deze accu NIET weg met normaal huishoudelijk afval. De accu MOET naar een daarvoor bestemd afvalstation worden gebracht. Neem contact op met uw plaatselijke afvalverwerkingsbedrijf voor meer informatie.
- Wij hopen dat u voldoende milieubewust bent om dit product na de levensduur naar een afvalverwerkingsstation te brengen.

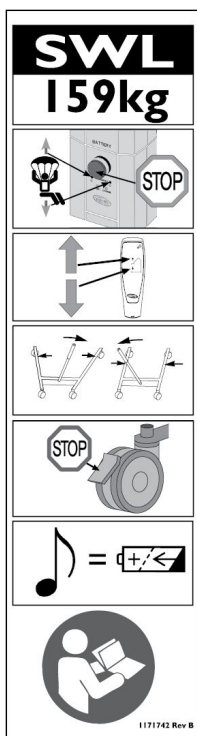
### 2.3 Interferentie door radiofrequentie



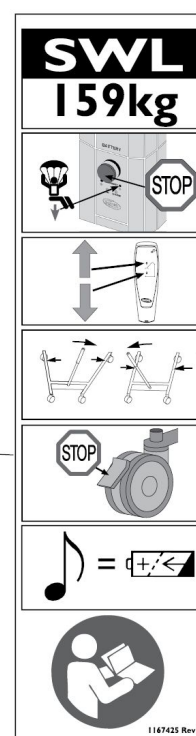
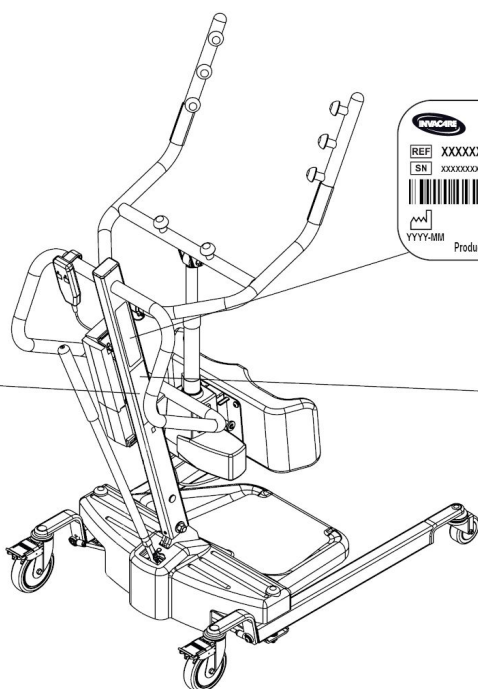
**WAARSCHUWING!**

- De meeste elektronische apparatuur wordt beïnvloed door radiofrequentie (Radio Frequency Interference, RFI). Wees daarom VOORZICHTIG wat betreft het gebruik van draagbare communicatieapparatuur in de nabijheid van dergelijke elektronische apparatuur. Indien zich RFI voordoet die leidt tot afwijkend gedrag, schakelt u de lift DIRECT UIT door op de rode AAN/UIT-knop te drukken. Schakel de lift NIET IN tijdens het verplaatsen.

### 2.4 Productlabels



**RPS350-IFR**



**RPS350-IE**

## 3 Montage

### 3.1 Veilige montage



#### WAARSCHUWING!

#### Risico op lichamelijk letsel

Een onjuiste montage kan tot letsel of schade leiden.

- Montage mag ALLEEN worden uitgevoerd door gekwalificeerd personeel.
- Gebruik alleen onderdelen van Invacare voor de montage van deze patiëntlift. De liftonderdelen zijn gebouwd volgens specificaties die een correcte uitlijning van alle onderdelen garanderen voor een veilige werking.
- Draai de schroeven of onderdelen NIET te strak aan. Hierdoor raakt de montagebeugel beschadigd.



Er is geen gereedschap nodig om de patiëntlift te monteren.

Neem bij problemen tijdens de montage contact op met een plaatselijke Invacare-vertegenwoordiger. Zie de contactgegevens op de laatste pagina van deze handleiding.

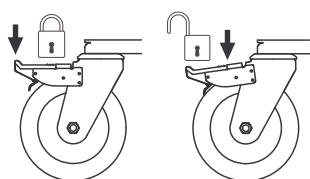
### 3.2 Het mastgedeelte op het onderstel monteren



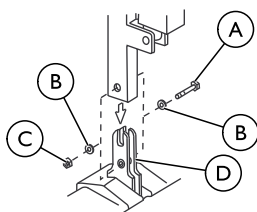
#### WAARSCHUWING!

- Gebruik enkel onderdelen van Invacare wanneer u deze patiëntlift monteert. De poten, de mast, de giek, het pompgedeelte en de zwenkarm zijn gebouwd volgens specificaties die een correcte uitlijning van alle onderdelen garanderen voor een veilige werking.

DETAIL A



DETAIL B



(A) Bout	(C) Moer
(B) Sluistring	(D) Montagebeugel



Het mastgedeelte kan van het onderstel worden verwijderd voor opslag of transport. Het mastgedeelte MOET correct aan het onderstel bevestigd zijn vóór gebruik.

1. Zet het onderstel op de grond.



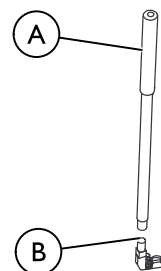
Zorg dat de vier wielen contact maken met de grond

2. Blokkeer beide achterwielen. Raadpleeg de instructie bij B.
3. Verwijder de bout, sluitringen en de moer die zich in de U-vormige uitsparing van het onderstel bevinden.
4. Til de mast op tot deze rechtop staat.
5. Laat de mast op de montagebeugel zakken.
6. Bevestig de mast aan het onderstel met de bout, sluitringen en moer. Draai alles goed vast.

### 3.3 Lift klaarmaken voor gebruik

Controleer alle onderdelen en draai alles vast VOOR gebruik.

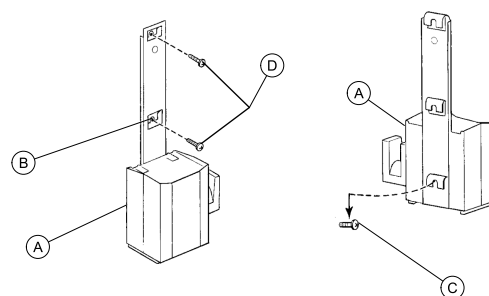
### 3.4 Plaats de schuifhandgreep



(A) Schuifhandgreep	(B) Positieve adapter in handgreep
---------------------	------------------------------------

1. Neem de schuifhandgreep uit de verzenddoos.
2. Draai de schuifhandgreep op de positieve aansluiting op het onderstel.


### 3.5 De montagebeugel van de acculader aan de muur bevestigen



Raadpleeg uw lokale regelgeving met betrekking tot de juiste montageprocedures.

Deze procedure is alleen van toepassing op de RPS350-1E.


1. Plaats de acculader met de montagebeugel (A) in de gewenste positie aan de muur.
2. Geef met een potlood de positie van de middelste opening (B) aan.
3. Boor een gat op 16,5 cm onder de markering.
4. Bevestig de onderste montageschroef (C) en laat ongeveer 3 mm ruimte over tussen de schroefkop en de muur.
5. Bevestig de montagebeugel van de acculader op de onderste bevestigingsschroef.

6. Boor de overige twee bevestigingsgaten.
7. Bevestig de overige twee bevestigingsschroeven. ④ door de montagebeugel heen en in de muur. Draai alles goed vast.
8. Sluit de acculader aan op een stopcontact.  
 Het ledlampje AAN moet gaan branden.

## 4 Gebruik

### 4.1 Inleiding

De patiëntlift is gemakkelijk en veilig te gebruiken.

 Lees voordat u de lift met een patiënt gebruikt de volgende procedures voor informatie over de veiligheid en instructies:

- 2.2 Informatie over de werking, pagina 136
- 5.3 De patiënt optillen, pagina 145

### 4.2 De poten inklappen en uitklappen



#### WAARSCHUWING!


##### Risico op lichamelijk letsel

De lift kan kantelen waardoor een gevaarlijke situatie ontstaat voor zowel de patiënt als de assistenten.

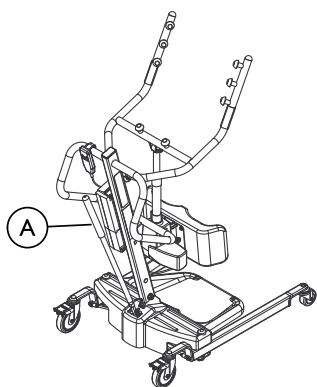
- De poten van de lift moeten maximaal worden uitgeklaapt voor optimale stabiliteit en veiligheid. Als u de poten van de lift moet inklappen om deze onder een bed te manoeuvreren, klapt u de poten in totdat de lift zich boven de patiënt bevindt en tilt u de patiënt uit bed. Als de poten van de lift zich niet meer onder het bed bevinden, klapt u de poten van de lift weer uit naar de maximaal geopende stand.

#### 4.2.1 De poten uitklappen en inklappen

Met de schuifhendel kunnen de poten van het onderstel worden uitgeklaapt en ingeklapt. Dit zorgt voor stabiliteit bij het omhoog tillen van de patiënt.

 Zie de veiligheidsinformatie in 4.2 *De poten inklappen en uitklappen*, pagina 140 voordat u met deze procedure begint.

Ⓐ = Schuifhandgreep



1. Ga als volgt te werk om de poten in te klappen: Trek de hendel NAAR BUITEN weg van de lift en vervolgens naar LINKS tot deze VERGRENDELT in de sleuf van de beugel.



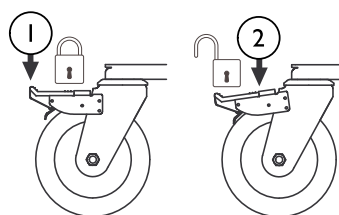
Links en rechts worden bepaald wanneer u achter de lift staat met uw gezicht in de richting van de voorste loopwielen.

2. Ga als volgt te werk om de poten uit te klappen: Trek de hendel NAAR BUITEN weg van de lift en vervolgens naar RECHTS tot deze VERGRENDELT in de sleuf van de beugel.



Rechts en links worden bepaald wanneer u achter de lift staat met uw gezicht in de richting van de voorste loopwielen.

### 4.3 De achterste vergrendeling in- of uitschakelen



1. Stap hier om te vergrendelen.
2. Stap hier om te ontgrendelen.

### 4.4 De lift omhoog/omlaag brengen



#### WAARSCHUWING!

##### Risico op lichamelijk letsel

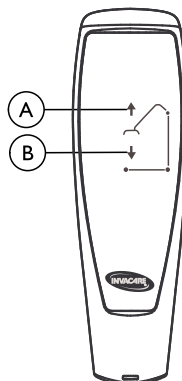
De lift kan kantelen waardoor een gevaarlijke situatie ontstaat voor zowel de patiënt als de assistenten.

- Invacare adviseert om de vergrendeling van de zwenkwielen niet in te schakelen tijdens het omhoog tillen zodat de patiëntlift zichzelf kan stabiliseren als de patiënt in eerste instantie wordt opgetild en wordt verplaatst naar een stoel, bed of ander stilstaand object.


#### 4.4.1 Een elektrische lift omhoog of omlaag brengen



Zie de veiligheidsinformatie in 4.4 *De lift omhoog/omlaag brengen*, pagina 140 voordat u met deze procedure begint.



1. Als u de lift omhoog wilt brengen, drukt u op de knop OMHOOG Ⓐ waarop de arm en de patiënt omhoog gaan.
2. Als u de lift omlaag wilt brengen, drukt u op de knop OMLAAG Ⓑ waarop de arm en de patiënt omlaag gaan.

 Laat de knop los om de lift stil te zetten tijdens het omhoog of omlaag brengen.

## 4.5 Een mechanische noodstop activeren

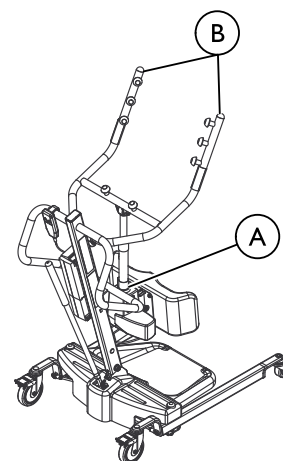
Er zijn twee soorten mechanische noodstops; een primaire en een secundaire.

### 4.5.1 Primaire noodstop




1. Steek een pen in het gat met de tekst Emergency Up (Noodstop omhoog) **A** of Emergency Down (Noodstop omlaag) **B** op de handbediening **C**.

### 4.5.2 Secundaire noodstop



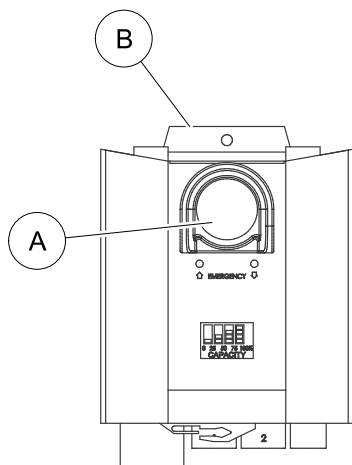
<b>A</b> RODE noodhandgreep	<b>B</b> Liftarmen
-----------------------------	--------------------

 Het verdient aanbeveling om de primaire noodstop te gebruiken. De secundaire noodstop dient enkel ter ondersteuning van de primaire noodstop.

Wanneer de primaire noodstop niet werkt of niet bereikbaar is, mag een secundaire noodstop worden gebruikt.


1. Trek aan de NOODHANDGREEP **A** en duw tegelijkertijd de liftarmen **B** omlaag.

## 4.6 Een noodstop uitvoeren




1. Druk op de RODE knop **A** op de handbediening **B** om het omhoog of omlaag brengen van de arm met de patiënt te beëindigen.
2. U kunt de noodstopknop weer resetten door deze met de klok mee te draaien.

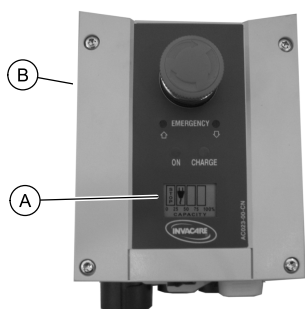
## 4.7 De accu opladen

 Invacare adviseert om de accu dagelijks opnieuw op te laden om de levensduur ervan te verlengen.

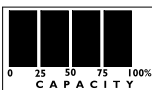
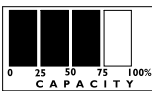
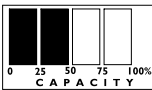
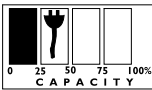
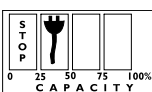
Er zitten twee verschillende methoden om de accu op te laden. De ene methode maakt gebruik van een voedingskabel die wordt aangesloten op de bedieningsconsole, bij de andere methode moet de accu op de acculader worden aangesloten. Volg de juiste procedure om de accu op te laden voor uw patiëntlift.

### 4.7.1 Acculampje

 Deze procedure is alleen van toepassing op de RPS350-1FR-modellen.

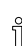


Het acculampje **A** bevindt zich op de handbediening **B**. De ledlampjes geven een indicatie van de accuspanning:

Acculampje op de bedieningsconsole <b>A</b>	Accustatus	Omschrijving
	Volledig opgeladen (100%)	Er is voldoende spanning - opladen is niet nodig (100%).
	Gedeeltelijk opgeladen (75%)	Er is voldoende spanning - opladen is niet nodig (75%).
	Gedeeltelijk opgeladen (50%)	De accu moet worden opgeladen (50%)
	Nog niet opgeladen (25%)	De accu moet worden opgeladen (minder dan 25%). Er klinkt een claxongeluid als een knop wordt ingedrukt.
	Nog niet opgeladen (0%)	De accu moet worden opgeladen.  De lift werkt niet meer optimaal en de arm kan alleen nog omlaag worden gebracht.  U hoort een alarm (claxongeluid) wanneer de accu bijna leeg is. Als u het alarm tijdens het verplaatsen van een persoon hoort, kunt u wachten met het opladen van de accu totdat u hiermee klaar bent.

### 4.7.2 De accu opladen met een voedingskabel

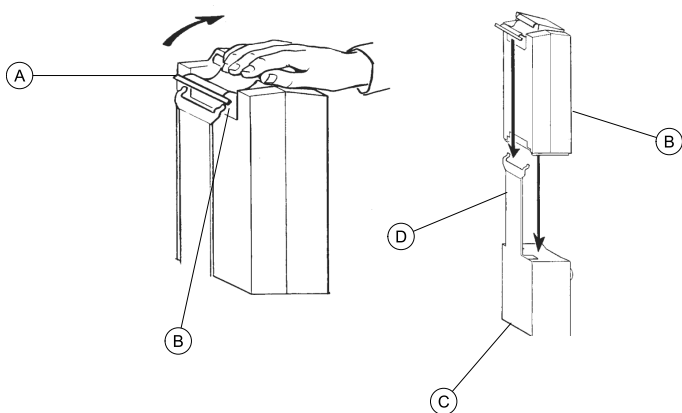


 Deze procedure is alleen van toepassing op de RPS350-1FR-modellen.  
**A** = Aansluitpunt voor kabel van acculader.

**LET OP!**

– De noodstop MAG NIET zijn geactiveerd - anders kan de accu niet worden geladen. Tijdens het laden mag de patiëntlift niet worden gebruikt. Probeer NIET de patiëntlift te verplaatsen terwijl de voedingskabel nog in het stopcontact zit. GEBRUIK de patiëntlift NIET als de behuizing van de accu beschadigd is. Vervang beschadigde accubehuizingen voordat u de lift gaat gebruiken.

1. Sluit de voedingskabel aan op de handbediening.
2. Steek de stekker van het netsnoer in een stopcontact.
  - De accu laadt op in ongeveer 4 uur. Het laden moet gebeuren in een goed geventileerde ruimte.
3. Haal de stekker uit het stopcontact als de accu volledig is opgeladen.

**4.7.3 De accu opladen met de acculader**

Deze procedure is alleen van toepassing op de RPS350-1E.

1. Til de accu omhoog aan de handgreep **A** op de achterzijde van de accu **B**.
2. Til de accu uit de handbediening **C**.

**LET OP!**

Een onjuiste montage van de accu kan leiden tot letsel of schade.

– U dient een klik te horen bij het aansluiten van de accu op de acculader. Dit duidt op een correcte montage.

3. Plaats de accu op de acculader **D**, zoals weergegeven. Als het goed is, hoort u een klikgeluid.



Het ledlampje zal gaan branden. Wanneer de accu is opgeladen, gaat het ledlampje uit. Het duurt ongeveer vier uur om een lege accu volledig op te laden.

4. Til de handgreep op de achterzijde van de accu omhoog.
5. Til de accu uit de acculader.

**LET OP!**

Een onjuiste montage van de accu kan leiden tot letsel of schade.

– U dient een klik te horen bij het aansluiten van de accu op de handbediening. Dit duidt op een correcte montage.

6. Installeer de accu weer op de bedieningseenheid, zoals weergegeven. Als het goed is, hoort u een klikgeluid.



De accu dient op de handbediening en acculader te worden geïnstalleerd, zoals weergegeven.

## 5 De patiënt optillen

### 5.1 Veilig omhoog tillen



#### WAARSCHUWING!

- Overschrijd de maximale gewichtslimiet (SWL) van 159 kg NIET.
- Verplaats NOOIT een lift zonder toestemming van een professionele zorgverlener.
- Houd ALTIJD handen en vingers uit de buurt van bewegende onderdelen om letsel te vermijden.
- Tijdens het overplaatsen, wanneer de patiënt in de draagband van de lift hangt, mag u het onderstel NIET over ongelijke oppervlakken rollen; dit om te vermijden dat de patiëntlift uit evenwicht raakt.
- Gebruik steeds de stuurhandgreep op de mast om de stand assist lift voort te duwen of te trekken.



#### WAARSCHUWING!

##### De lift bedienen en de patiënt omhoog tillen

- Zorg ervoor dat hulpmiddelen die bij de stand assist lift worden gebruikt, sterk genoeg zijn om de last op te tillen (bijv. draagband). Zorg ervoor dat als het hulpmiddel defect mocht raken, de patiënt die wordt opgetild, niet blootgesteld wordt aan gevaar.
- Zorg ervoor dat, voordat u de poten van de stand assist lift rond de patiënt plaatst, de voeten van de patiënt niet in de weg staan van de voetplaat, anders kan er letsel optreden.
- Zorg ervoor dat u alle aanpassingen voor veiligheid en comfort hebt ingesteld voordat u de patiënt gaat verplaatsen. De armen van de patiënt moeten buiten de riemen van de band zitten.



#### WAARSCHUWING!

##### De lift bedienen en de patiënt omhoog tillen

- Til de patiënt lichtjes los van het object en controleer of alle bevestigingspunten van de band goed vast zitten voordat u een patiënt van een stilstaand object (rolstoel, toiletstoel of bed) optilt. Indien een bevestigingspunt niet correct is geplaatst, laat de patiënt dan zakken en verhelp het probleem. Til daarna de patiënt opnieuw op en controleer opnieuw.
- Tijdens het overplaatsen, wanneer de patiënt in de band van de lift hangt, mag u het onderstel NIET over ongelijke oppervlakken rollen om te vermijden dat de patiëntlift uit evenwicht raakt en kantelt. Gebruik ALTIJD de stuurhandgreep op de mast om de patiëntlift voort te duwen of te trekken.
- Invacare raadt aan om de vergrendeling van de achterste zwenkwielen UITSLUITEND in te schakelen tijdens het positioneren of verwijderen van de band (draagband voor stahulp of verplaatsen) rond de patiënt.
- Invacare raadt aan om de wielvergrendeling van de achterste zwenkwielen NIET in te schakelen tijdens het optillen en verplaatsen van personen. Als u de vergrendeling wel inschakelt, kan de lift mogelijk overhellen en dit zorgt voor gevaarlijke situaties voor zowel de patiënt als de assistenten. Invacare raadt WEL aan de vergrendeling niet in te schakelen tijdens tillen en verplaatsen, zodat de patiëntlift zichzelf kan stabiliseren als de patiënt in eerste instantie wordt opgetild en wordt verplaatst naar een stoel, bed of ander stilstaand object.



#### WAARSCHUWING!

##### De draagband gebruiken

- Gebruik de draagband die wordt aanbevolen door een professioneel zorgverlener voor het comfort en de veiligheid van de patiënt die moet worden verplaatst.
- Patiënten waarvoor de draagband voor stahulp gebruikt wordt, MOETEN het grootste deel van hun gewicht zelf kunnen ondersteunen, anders kan er zich letsel voordoen.
- Verbleekte, gescheurde, ingesneden, gerafelde of gebroken banden zijn onveilig en kunnen leiden tot letsel of schade. Werp draagbanden die aan deze criteria voldoen ONMIDDELIJK weg.
- Pas draagbanden NIET aan.
- Controleer de bevestigingspunten van de draagband telkens wanneer u deze verwijdert of verplaatst om ervoor te zorgen dat de band goed vastzit voordat u een patiënt uit een stilstaand object verwijdert (bed, stoel of toilet).
- Indien de patiënt in een rolstoel zit, zet dan de remmen van de rolstoel vast om te vermijden dat de stoel vooruit of achteruit rolt.
- Er moet voor worden gezorgd dat de patiënt die wordt opgetild, niet wordt blootgesteld aan gevaar en dat de patiënt losgemaakt kan worden zonder letsel op te lopen.



**WAARSCHUWING!****Draagbanden voor stahulp**

- Gebruik de draagband voor stahulp NIET in combinatie met de patiëntlift als transportmiddel. De lift is ontworpen om een persoon van het ene rustoppervlak naar het andere te verplaatsen (zoals van een bed naar een rolstoel).
- Draagbanden voor stahulp: zorg ervoor dat, voordat u de patiënt optilt, de onderste rand van de draagband voor stahulp zich aan de onderrug van de patiënt bevindt en dat de armen van de patiënt zich buiten de band bevinden.
- Draagbanden voor stahulp: de riem MOET stevig maar comfortabel om de patiënt zitten, anders kan de patiënt uit de band glijden tijdens het verplaatsen en mogelijk letsel oplopen.

**Draagbanden voor verplaatsing**

- Zorg ervoor dat, voordat u de patiënt optilt, de onderste rand van de draagband zich onderaan de ruggengraat van de patiënt bevindt en dat de armen van de patiënt zich buiten de draagband bevinden.
- Draagbanden voor verplaatsing: til de patiënt NIET op tot deze volledig rechtop staat met de draagband, anders kan deze een letsel oplopen.



Raadpleeg de brochure van de draagband voor meer informatie.

## 5.2 Het omhoog tillen voorbereiden



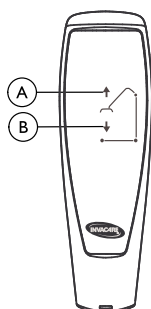
Raadpleeg het gedeelte over veiligheid in deze handleiding en bestudeer de informatie in 5.1 *Veilig omhoog tillen*, pagina 144 voordat u verder gaat en neem alle aangegeven waarschuwingen in acht.

Zorg dat er geen obstakels zijn wanneer u de poten van de patiëntlift onder een bed plaatst.

**WAARSCHUWING!****Risico op lichamelijk letsel**

De lift kan kantelen waardoor een gevaarlijke situatie ontstaat voor zowel de patiënt als de assistenten.

- De poten van de lift moeten maximaal worden uitgeklaapt voor optimale stabiliteit en veiligheid. Als u de poten van de lift moet inklappen om deze onder een bed te manoeuvreren, klapt u de poten in totdat de lift zich boven de patiënt bevindt en tilt u de patiënt uit bed. Als de poten van de lift zich niet meer onder het bed bevinden, klapt u de poten van de lift weer uit naar de maximaal geopende stand.



Ⓐ Knop OMHOOG

Ⓑ Knop OMLAAG

1. Zorg ervoor dat de poten van de Stand Assist lift maximaal zijn uitgeklaapt. Gebruik de schuifhendel om de poten te openen indien dit niet zo is.
2. Plaats de Stand Assist Lift met de handgreep op de mast.
3. Druk op de knop DOWN op de handbediening om de liftarmen te laten zakken om de band gemakkelijker te kunnen bevestigen.

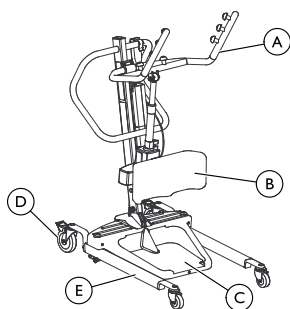
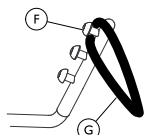
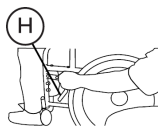
## 5.3 De patiënt optillen

**WAARSCHUWING!**

- Overschrijd de maximale gewichtslimiet (SWL) van 159 kg NIET.
- Personen die de draagband voor stahulp gebruiken, MOETEN het grootste deel van hun gewicht zelf kunnen dragen, anders kan er letsel optreden.
- Vergrendel de achterste zwenkwielen van de actieve tillift NIET in tijdens het optillen van een persoon. Als u de achterste zwenkwielen wel vergrendelt, kan de actieve tillift mogelijk kantelen waardoor een gevaarlijke situatie ontstaat voor zowel de patiënt als de assistenten. Als u de zwenkwielen ontgrendelt tijdens het optillen van een patiënt, kan de lift zichzelf in evenwicht houden terwijl de patiënt eerst uit een rolstoel, bed of ander stilstaand object wordt getild.
- Verplaats een patiënt NIET als de draagband niet op de juiste manier is bevestigd aan de bevestigingspunten van de actieve tillift.
- Zorg ervoor dat u alle aanpassingen voor veiligheid en comfort hebt ingesteld voordat u de patiënt gaat verplaatsen.

**WAARSCHUWING!**

- Controleer of de draagband goed vastzit aan de bevestigingspunten VOORDAT u probeert een patiënt op te tillen. Als u merkt dat bevestigingen niet goed vastzitten, dient u dit probleem te verhelpen. Als de draagband zich een paar centimeter boven het stilstaande oppervlak bevindt, controleert u de draagband opnieuw om ervoor te zorgen dat de draagband en alle bevestigingen goed vastzitten voordat u de patiënt gaat verplaatsen. Als u een probleem ontdekt, laat u de patiënt weer op het stilstaande oppervlak zakken en verhelpt u het probleem. Als u dat niet doet, kan dat leiden tot schade of zelfs letsel.
- Gebruik de draagband die wordt aanbevolen door de arts, verpleegkundige of arts-assistent van de betrokkene om comfort en veiligheid te kunnen waarborgen voor de patiënt die moet worden verplaatst. Invacare-draagbanden zijn specifiek ontworpen voor gebruik in combinatie met Invacare-patiëntliften. In sommige gevallen is het gebruik van een draagband van een andere fabrikant in combinatie met een Invacare-patiëntlift echter wel mogelijk. Neem contact op met het plaatselijke Invacare-kantoor voor meer informatie.

**Detail A — Actieve tillift****Detail B — Bevestiging draagband****Detail C — remmen**

Ⓐ Handgrepen	Ⓔ Been
Ⓑ Kniekussen	Ⓕ Haak
Ⓒ Voetplaat	Ⓖ Lus van draagband
Ⓓ Achterste zwenkwiel	Ⓗ Rem

Raadpleeg de gebruiksaanwijzing van de draagband voor de patiënt voor meer informatie.

De patiënt MOET eerst zitten. Gebruik het hoofdgedeelte van het bed om de patiënt rechtop te krijgen en plaats daarna de benen over de rand van het bed.

1. Vraag de patiënt om de handgrepen aan beide kanten van de actieve tillift vast te pakken (detail A).
2. Vraag de patiënt om achterover te leunen in de draagband.

**WAARSCHUWING!**

- Draagbanden voor stahulp: zorg ervoor dat, voordat u de patiënt optilt, de onderste rand van de draagband voor stahulp zich aan de onderrug van de patiënt bevindt en dat de armen van de patiënt zich buiten de draagband bevinden.
- Draagbanden voor verplaatsing: zorg ervoor dat, voordat u de patiënt optilt, de onderste rand van de draagband zich onderaan de ruggengraat van de patiënt bevindt en dat de armen van de patiënt zich buiten de draagband bevinden.

3. Controleer het volgende:
  - a. De knieën van de patiënt zitten stevig tegen de knieondersteuning.
  - b. De voeten van de patiënt staan goed op de voetplaat.
  - c. Draagbanden:
    - de onderste rand van de draagband voor stahulp bevindt zich aan de onderrug van de patiënt.
    - de onderste rand van de draagband voor verplaatsen bevindt zich onderaan de ruggengraat van de patiënt.
    - de armen van de patiënt moeten zich buiten de draagband bevinden.
    - de lussen van de draagband zijn volledig over de haken van de hefboomen geschoven (detail B).
  - d. De achterste zwenkwielen zijn niet vergrendeld.
  - e. De poten zijn maximaal uitgeklaapt.

**WAARSCHUWING!**

- Bij het verplaatsen van een patiënt vanuit een rolstoel, MOET de rolstoel op de rem staan voordat u de patiënt laat zakken in de rolstoel. Er kan anders lichamelijk letsel optreden.

4. Bij het verplaatsen vanuit een rolstoel, zet u de remmen van de rolstoel vast (detail C).
5. Druk op de knop met pijl omhoog op de handbediening om de patiënt boven het oppervlak te tillen (bed, rolstoel of toiletstoel). Het gewicht van de patiënt wordt volledig gedragen door de actieve tillift.



Het lage zwaartepunt zorgt voor meer stabiliteit waardoor de patiënt zich veiliger voelt en de lift makkelijker kan worden verplaatst.

**5.4 De patiënt verplaatsen****WAARSCHUWING!**

- De poten van de actieve tillift MOETEN maximaal uitgeklaapt worden voor optimale stabiliteit en veiligheid. Als de patiënt zich in de draagband bevindt en u hem of haar moet verplaatsen door een nauwe gang, klapt u de poten van de actieve tillift in totdat u de gang door bent. Zodra u de actieve tillift door de gang hebt gemanoeuvreed, klapt u de poten uit naar de maximaal geopende stand.
- Tijdens het overplaatsen, wanneer de patiënt in de draagband van de lift hangt, mag u het onderstel met de zwenkwielen NIET over ongelijke oppervlakken rollen om te vermijden dat de patiëntlift uit evenwicht raakt. Hierdoor kan de lift kantelen. Gebruik steeds het handvat op de mast om de lift voort te duwen of te trekken.

1. Zorg ervoor dat de poten van de actieve tillift maximaal zijn uitgeklaapt. Als dat niet het geval is, drukt u op de knop voor het uitklappen van de poten op de handbediening om de poten uit te klappen tot de maximaal geopende stand.
2. Beweeg de actieve tillift weg van het oppervlak waar zij van werden opgetild.
3. Verplaats de patiënt langzaam naar het gewenste oppervlak.

## 6 De patiënt verplaatsen

### 6.1 Veilige verplaatsing



#### WAARSCHUWING!

- Overschrijd de maximale gewichtslimiet (SWL) van 159 kg NIET.
- Verplaats een patiënt NOOIT zonder toestemming van een professionele zorgverlener. Lees de instructies in deze gebruiksaanwijzing zorgvuldig door, observeer een liftprocedure wanneer deze wordt uitgevoerd door een gekwalificeerd team en voer vervolgens de liftprocedure zelf diverse keren uit onder supervisie en met de juiste begeleiding, waarbij een gekwalificeerde persoon de rol van patiënt speelt. Er zijn opleidingsmogelijkheden beschikbaar. Neem contact op met het plaatselijke Invacare-kantoor voor meer informatie.



#### WAARSCHUWING!

- Verplaats een patiënt NOOIT als de draagband niet op de juiste manier is bevestigd aan de bevestigingspunten van de actieve tillift. Controleer of de draagband goed vastzit aan de bevestigingspunten voordat u probeert een patiënt te verplaatsen met de lift. Als u merkt dat bevestigingen niet goed vastzitten, dient u dit probleem te verhelpen. Als de draagband zich enkele centimeters boven het stilstaande oppervlak bevindt, controleert u de draagband opnieuw om ervoor te zorgen dat alle bevestigingen goed vastzitten voordat u de patiënt gaat verplaatsen. Als u merkt dat bevestigingspunten niet goed vastzitten, laat u de patiënt weer op het stilstaande oppervlak zakken en verhelpt u het probleem. Als u dat niet doet, kan dat leiden tot schade of zelfs letsel.
- Zorg ervoor dat u alle aanpassingen voor veiligheid en comfort hebt ingesteld voordat u de patiënt gaat verplaatsen. De armen van de patiënt moeten zich buiten de riemen bevinden.

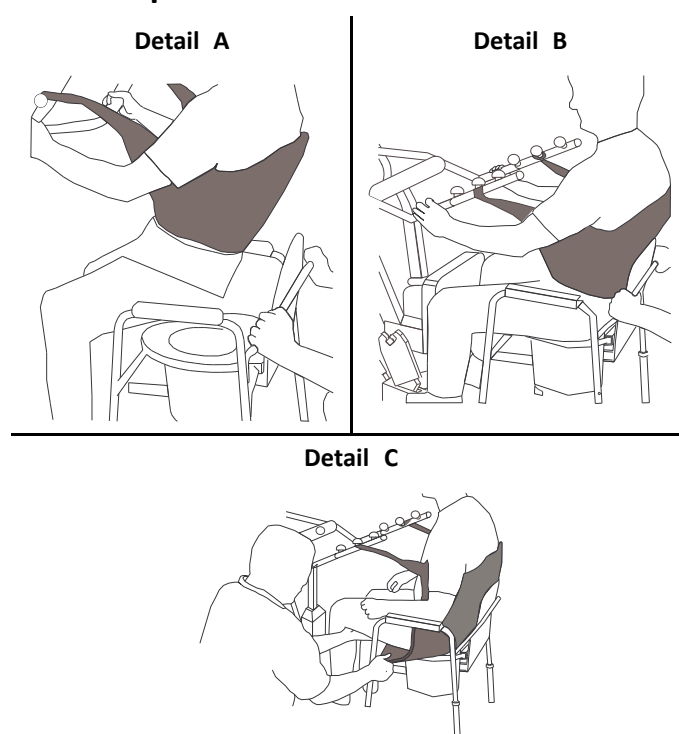


#### WAARSCHUWING!

- Gebruik de draagband die wordt aanbevolen door een professioneel zorgverlener voor het comfort en de veiligheid van de patiënt die moet worden verplaatst.
- Vergrendel de achterste zwenkwielen van de actieve tillift NIET in tijdens het optillen van een persoon. Als u de achterste zwenkwielen wel vergrendelt, kan de actieve tillift mogelijk kantelen waardoor een gevaarlijke situatie ontstaat voor zowel de patiënt als de assistenten.
- De poten van de actieve tillift MOETEN maximaal uitgeklappt worden voor optimale stabiliteit en veiligheid. Als de patiënt zich in de draagband bevindt en u hem of haar moet verplaatsen door een nauwe gang, klapt u de poten van de actieve tillift in totdat u de gang door bent. Zodra u de actieve tillift door de gang hebt gemanoeuvreerd, klapt u de poten uit naar de maximaal geopende stand. Als u de actieve tillift onder een bed moet manoeuvreren, klapt u de poten in totdat de lift in de juiste positie staat. Vervolgens klapt u de poten van de actieve tillift direct weer uit. Als de poten van de actieve tillift zich niet meer onder het bed bevinden, klapt u de poten weer uit naar de maximaal geopende stand.
- Controleer de bevestigingspunten van de draagband telkens wanneer deze is verwijderd en teruggeplaatst om ervoor te zorgen dat de draagband goed vastzit voordat u een patiënt gaat verplaatsen.


Voor elk afzonderlijk geval dient een professionele zorgverlener te bepalen of een of meer assistenten moeten worden ingezet.

### 6.2 Verplaatsen naar een toiletstoel

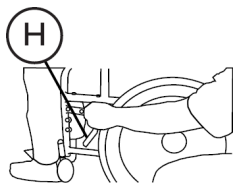
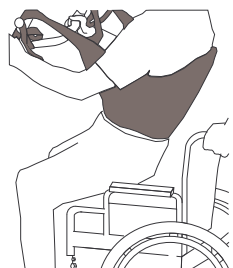
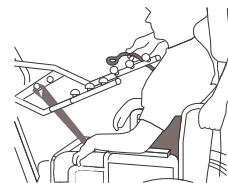



**WAARSCHUWING!**

– Invacare raadt aan om de vergrendeling van de achterste zwenkwielen alleen in te schakelen tijdens het positioneren of verwijderen van de draagband rond de patiënt.

1. Til de patiënt op vanaf de zijkant van het bed.
  2. Druk op de knop OMHOOG op de handbediening om de patiënt zo hoog op te tillen dat de armsteunen van de toiletstoel niet in de weg zitten. Het gewicht van de patiënt wordt ondersteund door de actieve tillift.
  3. Geleid de patiënt tot op de toiletstoel. Mogelijk hebt u hierbij assistentie nodig van twee assistenten.
  4. Druk op de knop met pijl omlaag om de patiënt te laten zakken tot op de toiletstoel.
  5. Vergrendel de achterste zwenkwielen van de actieve tillift.
  6. Afhankelijk van het type draagband doet u het volgende:
    - Draagband voor stahulp: maak de draagband los van de bevestigingspunten op de actieve tillift.
    - Draagband voor verplaatsing:
      - a. maak de draagband voor verplaatsing los van de onderste bevestigingspunten op de actieve tillift.
      - b. Til de benen van de patiënt op en verwijder de dijondersteuning onder de patiënt.
      - c. Maak, indien gewenst, de draagband voor verplaatsing los van de bovenste bevestigingspunten op de actieve tillift.
-  De patiënt kan ondersteund blijven door het bovenste gedeelte van de draagband voor verplaatsing terwijl hij of zij gebruikmaakt van de toiletstoel.
7. Instrueer de patiënt om zijn of haar voeten van de voetplaat te halen of help de patiënt om dit te doen.
  8. Verwijder de draagband rond de patiënt.
  9. Ontgrendel de achterste zwenkwielen en trek de actieve tillift weg van de toiletstoel.
  10. Controleer wanneer de patiënt klaar is opnieuw of de draagband naar behoren is bevestigd.

### 6.3 Verplaatsen naar een rolstoel

**Detail A****Detail B****Detail C**

 **H** = Rolstoelrem

1. Zorg ervoor dat de poten van de lift zijn uitgekapt als de patiënt zich in de draagband bevindt.
2. Plaats de rolstoel in de juiste positie.
3. Klik de remmen van de rolstoel vast om te voorkomen dat deze ongewenst wordt verplaatst (detail A).

**WAARSCHUWING!**

– Plaats de patiënt NIET in de rolstoel als de remmen niet zijn vastgeklikt. Een rolstoel MOET op de rem staan voordat u de patiënt laat zakken in de rolstoel om de patiënt te vervoeren. Anders kan dit leiden tot lichamelijk letsel.

4. Plaats de patiënt boven de rolstoel (detail 'B').
5. Druk op de knop met pijl omlaag om de patiënt te laten zakken in de rolstoel.

**WAARSCHUWING!**

– Vergrendel de achterste zwenkwielen UITSLUITEND tijdens het positioneren of verwijderen van de draagband (voor stahulp of verplaatsing) rond de patiënt. Er kan anders lichamelijk letsel optreden.


6. Vergrendel de achterste zwenkwielen.
7. Ontkoppel de draagband van alle bevestigingspunten op de lift (detail C).
8. Instrueer de patiënt om zijn of haar voeten van de voetplaat te halen. Help de patiënt om dit te doen, indien nodig.
9. Verwijder de draagband rond de patiënt.
10. Ontgrendel de achterste zwenkwielen en trek de actieve tillift weg van de rolstoel.

### 6.4 Verplaatsen naar een bed



Het lage zwaartepunt zorgt voor meer stabiliteit waardoor de patiënt zich veiliger voelt en de lift makkelijker kan worden verplaatst.

1. Plaats de patiënt zo ver mogelijk boven het bed.


 Als de patiënt wordt verplaatst van een oppervlak dat lager is dan het bed, duw dan op de knop met pijl omhoog om de patiënt omhoog te tillen tot boven het oppervlak van het bed. Zorg ervoor dat de patiënt zodanig wordt opgetild dat hij of zij boven de rand van het bed komt, waarbij zijn of haar gewicht volledig wordt gedragen door de lift.

2. Druk op de knop met pijl omlaag om de patiënt te laten zakken in het bed.

**WAARSCHUWING!**

– Invacare raadt aan om de vergrendeling van de achterste zwenkwielen **UITSLUITEND** in te schakelen tijdens het positioneren of verwijderen van de draagband rond de patiënt.

3. Vergrendel de achterste zwenkwielen.
4. Maak de draagband voor stahulp of verplaatsing los van alle bevestigingspunten op de actieve tillift.
5. Instrueer de patiënt om zijn of haar voeten van de voetplaat te halen.

 Help de patiënt om dit te doen, indien nodig.
6. Verwijder de draagband voor stahulp of verplaatsing van de patiënt.
7. Ontgrendel de achterste zwenkwielen en trek de actieve tillift weg van het bed.

## 7 Problemen oplossen

### 7.1 Tabel voor het oplossen van problemen

SYMPTOMEN	DEFECTEN	OPLOSSING
Lawaai of droog geluid van de scharnierpunten.	Smering noodzakelijk.	Zie 8.5 <i>De lift smeren, pagina 152</i>
Elektrische actuator zorgt niet voor vereiste lift bij drukken op de knop.	Aansluiting van de handbediening of actuator zit los.	Maak de aansluiting van de handbediening of actuator vast. Controleer of de aansluitingen goed en volledig zijn geplaatst.
	Accuvermogen laag.	Laad de accu's op. Zie 4.7 <i>De accu opladen, pagina 142</i>
	RODE noodstopknop is INGEDRUKT.	Draai de RODE noodstopknop RECHTSOM totdat deze omhoog komt.
	Accu niet op de juiste manier aangesloten op de handbediening.	Sluit de accu opnieuw aan op de handbediening. Zie 4.7 <i>De accu opladen, pagina 142</i>
	De aansluitpunten zijn beschadigd.	Vervang de accu. Zie 4.7 <i>De accu opladen, pagina 142</i>
	De actuator is versleten of beschadigd, of de as is verbogen.	Zie 8.7 <i>De elektrische actuator vervangen, pagina 152</i> Neem contact op met uw Invacare-dealer of -vertegenwoordiger.
Ongebruikelijk geluid van de actuator.	De actuator is versleten of beschadigd, of de as is verbogen.	Zie 8.7 <i>De elektrische actuator vervangen, pagina 152</i> Neem contact op met uw Invacare-dealer of -vertegenwoordiger.
De arm zakt niet meer omlaag als deze het hoogste hef punt heeft bereikt.	Arm moet minimaal worden belast om te kunnen zakken vanuit hoogste punt.	Trek licht aan de arm.
De poten openen en sluiten niet goed.	Mogelijk moet het onderstel worden aangepast.	Zie 8.6 <i>Onderhoud aan de instellingen van het onderstel, pagina 152</i>

 Neem contact op met uw dealer als uw problemen hiermee niet worden opgelost.

## 8 Onderhoud

### 8.1 Veiligheidsinspectie, afkrydsningslijstje til sikkerhedsinspektion



#### WAARSCHUWING!

- Onderhoud mag ALLEEN worden uitgevoerd door gekwalificeerd personeel.
- Laat na het vervangen van onderdelen door een deskundig persoon vaststellen of het product nog stevig en stabiel genoeg is voor de verschillende toepassingen.
- Draai de schroeven of onderdelen NIET te strak aan.



Volg de onderhoudsprocedures die worden beschreven in deze handleiding voor een maximale productiviteit en levensduur van uw patiëntenlift.

De Invacare-patiëntenlift is ontworpen voor maximale veiligheid, efficiëntie en prestaties tijdens het gebruik, met een minimum aan noodzakelijk onderhoud.

Hoewel onderdelen van de Invacare-lift zijn gemaakt van de beste materialen en de beste staalsoorten, kan het voorkomen dat er bij gebruik na langere tijd slijtage optreedt waar metalen met elkaar in aanraking komen.

De zwenkwielen behoeven geen onderhoud of aanpassing anders dan reiniging, smering en controle van de assen en zwenkbouten op speling. Verwijder alle verontreinigingen, enzovoort, van de wiel- en zwenklagers. Als er onderdelen versleten zijn, dient u deze DIRECT te vervangen.

Om een correcte werking van de patiëntenlift en accessoires te garanderen, is regelmatig onderhoud nodig. Het is de taak van de persoon die verantwoordelijk is voor de patiëntenlift om ervoor te zorgen dat dit onderhoud daadwerkelijk wordt uitgevoerd.

Datum van de inspectie:	Initialen:
<b>HET ONDERSTEL MET DE ZWENKWIELEN</b>	
<input type="checkbox"/> Controleer op ontbrekende onderdelen. <input type="checkbox"/> Onderstel zonder moeite uitklappen/inklappen. <input type="checkbox"/> Controleer of zwenkwielen en asbouten vastzitten. <input type="checkbox"/> Controleer of zwenkwielen onbelemmerd scharnieren en rollen. <input type="checkbox"/> Verwijder eventueel vuil van de wielen. <input type="checkbox"/> Controleer de draaipunten op slijtage.	
<b>DE DRAAGBANDEN EN ONDERDELEN</b>	
<input type="checkbox"/> Controleer bij elk gebruik alle bevestigingspunten van de draagband om een juiste bevestiging en de patiëntveiligheid te kunnen waarborgen. <input type="checkbox"/> Controleer het materiaal van de draagband op slijtage. <input type="checkbox"/> Controleer de bevestigingsbanden op slijtage. <input type="checkbox"/> Controleer de naden.	

#### DE ELEKTRISCHE ACTUATOR

- Controleer of er lekkages zijn.
- Controleer de onderdelen op de mast, arm en het onderstel.
- Controleer op slijtage of verslechtering. Stuur het product terug naar de fabriek wanneer het is beschadigd.
- Voer een cyclus uit om te controleren of de elektrische actuator zonder haperingen werkt.

#### HEFBOMEN EN SCHARNIERSTELSE

- Alle onderdelen en bevestigingspunten controleren.
- Controleer op verbuigingen en afwijkingen.
- Moerverbindingen van de hefbomen controleren op slijtage.
- Controleren of de hefbomen gecentreerd zijn tussen de poten aan het onderstel.
- Controleer de draaipunten op slijtage.
- Controleer de haken van de draagband op slijtage of verbuiging.

#### DE MAST

- De mast moet stevig aan de arm zijn bevestigd.
- Controleer op verbuigingen en afwijkingen.
- Controleer de draaipunten op slijtage.

#### REINIGING

- Wanneer noodzakelijk.

### 8.2 De draagband en de lift reinigen



#### WAARSCHUWING!

- Inspecteer de draagband(en) op slijtage, scheuren en losse naden na elke schoonmaakbeurt (volgens de instructies op de band). Werp draagbanden die aan deze criteria voldoen ONMIDDELIJK weg.

#### De draagband reinigen

Was de draagband regelmatig met een combinatie van water (niet warmer dan 95 °C (203 °F)) en een biologisch oplosbaar wasmiddel. Raadpleeg de wasinstructies in de gebruikershandleiding bij de draagband.

#### De lift reinigen en ontsmetten

Om kruisinfecties te voorkomen, moet de takel na elk gebruik worden gereinigd en ontsmet.

U kunt de patiëntenlift reinigen met behulp van een zachte, vochtige doek en een mild reinigingsmiddel.

Gebruik voor het reinigen van de lift geen schurende reinigingsmiddelen. Gebruik nooit zuren, alkalische of oplosmiddelen om de lift te reinigen. Maak de lift na het reinigen goed droog.

Motoren, bedieningseenheid en montageonderdelen kunnen beschadigd raken wanneer de lift op een andere manier dan hierboven wordt gereinigd.

De lift moet worden afgeveegd met een vochtige, goed uitgewrongen doek met gewoon huishoudelijk ontsmettingsmiddel. Gebruik alleen ontsmettingsmiddelen die zijn goedgekeurd door de instelling.

### 8.3 Hergebruiken

Dit product is geschikt voor hergebruik. Hoe vaak het product kan worden hergebruikt, is afhankelijk van de staat waarin het product verkeert.

Om het overdragen van infecties te voorkomen, moeten de patiëntlift en draagbanden na elk gebruik worden gereinigd. Raadpleeg voordat u de lift gaat hergebruiken of gaat herstellen [8.2 De draagband en de lift reinigen, pagina 151](#)

### 8.4 Controleren op slijtage en beschadiging

Het is zeer belangrijk om onderdelen die onder spanning komen te staan, zoals draagbanden, de liftarm en scharnieren, regelmatig te controleren op breuken, rafelen, vervorming of verslechtering. Als u ziet dat onderdelen defect zijn, dient u deze DIRECT te vervangen en ervoor te zorgen dat de lift niet wordt gebruikt totdat de reparaties zijn uitgevoerd.

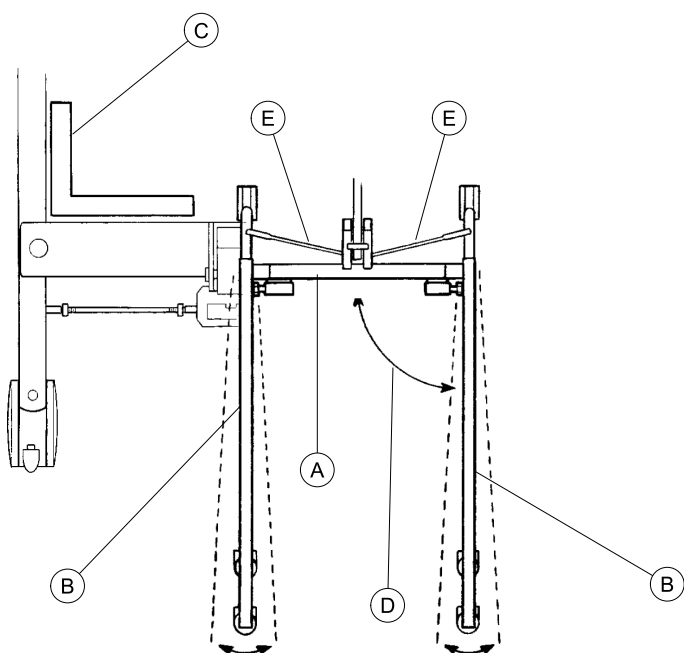
### 8.5 De lift smeren

De Invacare-lift is zo ontworpen dat er een minimum aan onderhoud nodig is. U kunt de lift echter het beste om de zes maanden controleren en smeren om een goede werking en veilig gebruik te kunnen garanderen.

Houd de lift en de draagbanden goed schoon en klaar voor gebruik. Defecten moeten worden genoteerd en zo snel mogelijk worden doorgegeven aan uw dealer.

De zwenkwielen MOETEN zonder moeite kunnen zwenken en rollen. U kunt desgewenst eens per jaar een licht smeervet (waterproof automatisch smerend) aanbrengen op de lagers en zwenkscharnieren van de loopwielen. Als de wielen veel worden gebruikt in vochtige omgevingen kunt u eventueel vaker smeren.

### 8.6 Onderhoud aan de instellingen van het onderstel



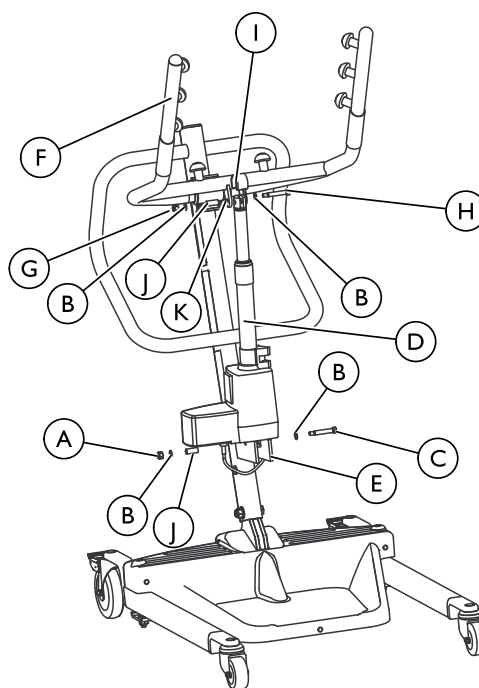
Aan de instellingen van het onderstel **A** hoeft u niets te wijzigen, behalve het afstellen van de scharnierstangen.

! De lift kan beschadigd raken.  
– De pootactuator moet volledig gesloten zijn voordat u de scharnierstangen instelt.

1. Klap de poten volledig in. Zie [4.2.1 De poten uitklappen en inklappen, pagina 140](#)
2. Controleer of de poten **B** recht zijn wanneer ze zijn ingeklapt.
3. Plaats een winkelhaak **C** aan de binnenzijde van de poten en het onderstel om te controleren of deze nog steeds zijn uitgelijnd in een hoek van 90° **D**.
4. Verstel de scharnierstangen **E** tot een hoek van 90° is bereikt.

! De lift kan beschadigd raken.  
– U dient scharnierstangen NIET in te stellen in een positie waarbij de poten zijn uitgelijnd in een hoek van minder dan 90°.

### 8.7 De elektrische actuator vervangen



<b>A</b> Moer onderzijde	<b>G</b> Moer bovenzijde
<b>B</b> Sluistring	<b>H</b> Bout
<b>C</b> Bout verbindingpunt	<b>I</b> Montagebeugel
<b>D</b> Elektrische actuator	<b>J</b> Bus
<b>E</b> Montagebeugel van de mast	<b>K</b> Montagebeugel van de liftarm
<b>F</b> Liftarm	



#### WAARSCHUWING!

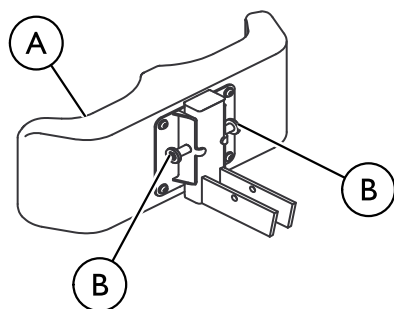
– Draai de schroeven of onderdelen NIET te hard aan. Dit beschadigt de montagebeugels.

1. Verwijder de onderste moer, de sluitring en de bout waarmee de elektrische actuator is bevestigd aan de montagebeugel van de mast.
2. Laat de liftarm op uw schouder rusten en verwijder de bovenste moer, bout, beugel en bus (indien van toepassing) van de montagebeugel van de liftarm.



3. Verwijder de elektrische actuator.
4. Volg stap 1 tot en met 3 in omgekeerde volgorde om de nieuwe elektrische actuator te installeren.

## 8.8 De hoogte van het kniekussen instellen




Ⓐ Kniekussen

Ⓑ Stelpen



### WAARSCHUWING!

- Stel het kniekussen NIET in als de patiënt staat.
- Stel het kniekussen NIET in als de lift in beweging is.
- Zorg er ALTIJD voor dat de stelpennen zich in de juiste instelopeningen voor de hoogte bevinden voordat u de lift gaat gebruiken.

1. Stel het kniekussen in op een hoogte die comfortabel is voor de patiënt waarbij deze de optimale steun krijgt.
  -  Het kniekussen moet zodanig worden gepositioneerd dat het gehele kniegedeelte van het been contact maakt met het kussen.
2. Trek met twee handen beide stelpennen tegelijkertijd naar buiten uit de instelopeningen.
3. Stel het kniekussen in op de gewenste hoogte en laat de stelpennen weer los als deze zich voor de juiste instelopeningen bevinden.
4. Zorg ervoor dat de beide pennen goed in de instelopeningen zitten.

## 9 Technische Specificaties

### 9.1 RPS350-1E en RPS350-1FR Stand Assist Patiëntlift

Max. hoogte van draagbandbevestiging	168 cm
Min. hoogte van draagbandbevestiging	102 cm
Breedte van basis GEOPEND	94 cm
Breedte van basis GESLOTEN	66 cm
Hoogte van basis (speling)	11,5 cm
Lengte van basis	90 cm
Hoogte totaal	125 cm
Lengte totaal	99 cm
Breedte totaal	65,5 cm
Vergrendeling (VOOR/ACHTER)	8 cm / 13 cm
Opties voor draagband	Stahulp of Stahulp voor verplaatsen
Materiaal van draagband	Polyester
Maximale gewichtslimiet (SWL) (patiënt + draagband)	159 kg
Totaal gewicht (gewicht uit verpakking)	49 kg
Accu (uitgangsvoltage)	24V DC mb Max. 240VA (RCHBL)
Ingangsspanning lader (ingangsvoltage)	100-240V AC ~ 50/60 Hz
Uitgangsspanning lader/laadtijd	29,5 V DC 2,9 Ah Max. 6 uur
Audio/visueel alarm bij accu bijna leeg	Ja
Beveiliging van de motor	Antiblokkeersysteem
Keer tillen (bij benadering*) per lading (werkvermogen)	*100-200 cycli per lading

Max. ingangsstroom	Max. 400 mA
Bedieningstemperatuur	5° to 40° C
Luchtvochtigheid	20% tot 90% bij 30 °C, niet-condenserend
Geluidsdruk	< 50 dB
Atmosferische druk	700 tot 1060 hPa
Opslagtemperatuur	hoger dan 0°C
Luchtvochtigheid tijdens opslag	minder dan 60%
Atmosferische druk tijdens opslag	700 hPa tot 1060 hPa
Mate van bescherming, bedieningseenheid	IPX4
Mate van bescherming, handbediening	IPX4
Mate van bescherming, motor	IPX4
Isoleringsklassificering	klasse II-apparaat, Toegepast onderdeel van type B
Onderbrekingen	10%, max. 2 minuten/18 minuten
Accuvermogen	2,9 Ah
Handmatig zakken in noodgevallen	Ja
Elektrisch zakken/tillen in noodgevallen	Ja/Ja
Verwachte levensduur	8 jaar
Tilsnelheid	De lift behaalt de 'snelheid van tillen en verlagen' in de ENISO10535 (< 0,15 m/s bij maximale belasting en < 0,25 m/s zonder belasting)



\* Varieert, afhankelijk van belasting en slag.

---

# Innholdsfortegnelse

---

Denne veiledningen skal overleveres til sluttbrukeren. Les denne veiledningen FØR du bruker produktet, og behold den for fremtidig referanse.

<b>1 Generell informasjon</b>	<b>156</b>
1.1 Innledning	156
1.2 Symboler	156
1.3 Tiltent bruk	156
1.3.1 Kontraindikasjoner	157
1.4 Innhold i pakning	157
1.5 Levetid	157
1.5.1 Ytterligere informasjon	157
1.6 Garantiopplysninger	157
1.7 Samsvar	157
1.7.1 Produktspesifikke standarder	157
<b>2 Sikkerhet</b>	<b>158</b>
2.1 Generelle retningslinjer	158
2.2 Bruksinformasjon	158
2.2.1 Generelt	158
2.2.2 Posisjonering	158
2.2.3 Avfallshåndtering	159
2.3 Høyfrekvent støy	159
2.4 Produktmerking	159
<b>3 Montering</b>	<b>160</b>
3.1 Sikker montering	160
3.2 Montere masten til basen	160
3.3 Klargjøre løfteren for bruk	160
3.4 Montere skifterhåndtaket	160
3.5 Feste batteriladerens festebraketten til veggen	160
<b>4 Bruk</b>	<b>161</b>
4.1 Innledning	161
4.2 Lukke eller åpne løfterføtter	161
4.2.1 Lukke/åpne føttene manuelt	161
4.3 Låse eller låse opp bakre styrehjul	161
4.4 Heve eller senke løfteren	161
4.4.1 Heve eller senke en elektrisk løfter	161
4.5 Aktivere en mekanisk nødsenkning	162
4.5.1 Primær nødfunksjon	162
4.5.2 Sekundær nødfunksjon	162
4.6 Utføre en nødstop	162
4.7 Lade batteriet	162
4.7.1 Batteriindikator	162
4.7.2 Lade batteriet ved hjelp av strømledning	163
4.7.3 Lade batteriet ved hjelp av batterilader	163
<b>5 Løfte pasienten</b>	<b>164</b>
5.1 Sikker løfting	164
5.2 Plassere oppreisningsløfteren	164
5.3 Løfte pasienten	165
5.4 Flytting av pasienten	166
<b>6 Flytte pasienten</b>	<b>167</b>
6.1 Sikker forflytning	167
6.2 Forflytning til en toalettstol	167
6.3 Forflytning til en rullestol	168
6.4 Forflytning til en seng	168
<b>7 Feilsøking</b>	<b>169</b>
7.1 Problemløsningstabell	169
<b>8 Vedlikehold</b>	<b>170</b>
8.1 Sjekkliste for sikkerhetskontroll	170
8.2 Rengjøre løfteseilet og løfteren	171
8.3 Gjenbruk	171
8.4 Hvordan man oppdager slitasje og skade	171
8.5 Smøre løfteren	171
8.6 Justere sokkelen	172
8.7 Bytte ut den elektriske løftemotoren	172
8.8 Justere kneputehøyden	172
<b>9 Tekniske Data</b>	<b>173</b>
9.1 Personløfter RPS3501E og RPS3501FR	173

# 1 Generell informasjon

## 1.1 Innledning

Denne bruksanvisningen inneholder viktig informasjon om hvordan produktet håndteres. Les bruksanvisningen nøye, og følg sikkerhetsinstruksjonene i den, slik at du kan bruke produktet på en trygg måte.

Vær oppmerksom på at det kan være deler av denne bruksanvisningen som ikke er relevante for produktet ditt, ettersom håndboken gjelder for alle tilgjengelige modeller (på utskriftstidspunktet). Hvis ikke annet er angitt, henviser hvert avsnitt i denne håndboken til alle modeller av produktet.

Alle modeller og konfigurasjoner som er tilgjengelige for ditt land, står oppgitt i de landsspesifikke prislisterne.

Invacare forbeholder seg retten til å endre produktspesifikasjoner uten forvarsel.

Før du leser denne håndboken, må du forsikre deg om at du har den nyeste versjonen. Du finner den nyeste versjonen som en PDF-fil på Invacare-nettstedet.

Hvis skriftstørrelsen i utskriftsversjonen av bruksanvisningen er vanskelig å lese, kan du laste ned PDF-versjonen fra nettstedet. Deretter kan du skalere PDF-en, slik at fontstørrelsen fungerer bedre for deg.

Kontakt Invacare-representanten for å få mer informasjon om produktet, for eksempel produktsikkerhetsmeldinger og tilbakekallinger. Se adresser på slutten av dette dokumentet.

## 1.2 Symboler

I denne bruksanvisningen brukes bestemte symboler for å angi risiko eller utrygge fremgangsmåter som kan resultere i personskade eller skade på eiendom. Nedenfor finner du definisjoner av disse symbolene.



### ADVARSEL!

– Angir en potensielt farlig situasjon som, hvis man ikke unngår den, kan føre til død eller alvorlig personskade.



### FORSIKTIG!

– Angir en potensielt farlig situasjon som, hvis man ikke unngår den, kan føre til skade på materiell, mindre personskade eller begge deler.



### VIKTIG

– Angir en farlig situasjon som kan føre til skade på materiell dersom den ikke unngås.



Gir nyttige tips, anbefalinger og opplysninger når det gjelder effektiv og problemfri bruk.



Produksjonsdato.



Dette produktet er i samsvar med EU-direktivet 93/42/EØF om medisinsk utstyr.

Lanseringsdatoen for dette produktet er oppgitt i CE-samsvarserklæringen.



Les håndboken



Lydsignal ved lav batterispenning. Se 4.7 Lade batteriet, side 162



Styrehjullås.



Åpne/lukk føtter



Hev/senk løftearmene



Nødstop



Maks. tillatt arbeidsbelastning (SWL)



Dobbeltisolert utstyr, klasse II



Type B-kontakt del



Lever produktet til gjenvinning. Se 2.2.3 Avfallshåndtering, side 159

## 1.3 Tiltent bruk



### ADVARSEL!

#### Risiko for å falle

Invacare-oppreisningsløfteren er IKKE et transportredskap. Den er beregnet på forflytning av en person fra ett til et annet (f.eks. fra seng til rullestol).

Invacares løfteseil- og personløftertilbehør er laget spesielt for bruk sammen med Invacares personløftere.

For å unngå skader og fall:

- Pasienter som overføres og posisjoneres med oppreisningsløfteseilet, MÅ være i stand til å støtte mesteparten av sin egen vekt. Ellers kan det oppstå personskade.
- Pasienter som overføres og posisjoneres med oppreisningsløfteseilet, MÅ være i stand til å støtte mesteparten av sin egen vekt. Det kan ellers oppstå personskade eller skade på utstyr. Se bruksanvisningen for løfteseilet for mer informasjon.

Oppreisningsløftere er batteridrevne forflytningsapparater som er laget for bruk i de fleste vanlige løftesituasjoner, for eksempel:

- mellom en seng og rullestol
- til og fra toalettet

Oppreisningsløfteren skal bare brukes til å løfte pasienter opptil den maksimale vektgrensen som er angitt i de tekniske dataene.

Produktet er bare beregnet på innendørs bruk.

Det er viktig å velge egnede løfteseil og tilbehør for hver enkelt pasient for å gjøre bruken av personløfteren så sikker som mulig. Ytterligere informasjon om Invacares løfteseil og tilbehør finner du i bruksanvisningene for disse enhetene.

Når pasienten skal bades, anbefaler Invacare at pasienten flyttes til en dusjstol eller annet egnet badeutstyr.

Oppreisningsløfteren kan vendes (roteres) på stedet ved forflytninger med begrenset gulvplass.

### 1.3.1 Kontraindikasjoner

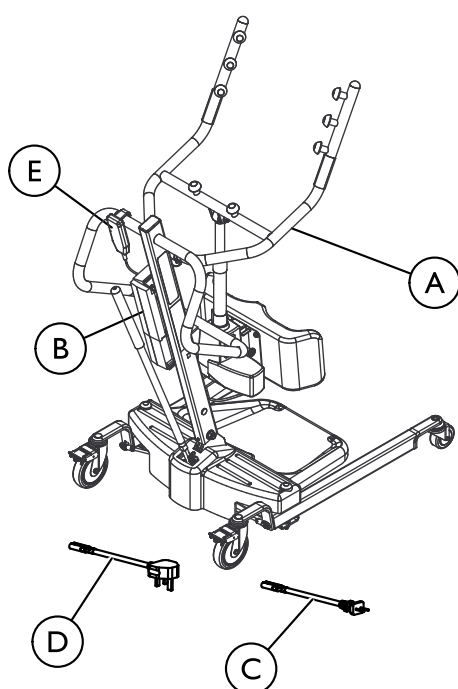
Personløfteren er kontraindisert for pasienter som:

- ikke er samarbeidsvillige
- ikke er klare
- ikke har kontroll over hode og nakke

Enkelte løfteseil som er konstruert for personløfteren, er kontraindisert for pasienter som ikke kan bære mesteparten av sin egen vekt. Se bruksanvisningen for løfteseilet for mer informasjon.

### 1.4 Innhold i pakning

Delene som er oppgitt i tabellen nedenfor, er inkludert i pakningen. Løfteseil selges separat. Veggladeren selges kanskje separat.



Komponent	Beskrivelse	Antall
A	Løfter	1
B	Batteri	1
C	Ladekabel, EU	1

D	Ladekabel, UK (kun RPS350-1E)	1
E	Håndkontroll	1
F	Bruksanvisning for løfter (ikke vist)	1

### 1.5 Levetid

Forventet levetid for dette produktet er åtte år når det brukes daglig i samsvar med instruksjonene om sikkerhet, vedlikehold og riktig bruk i denne bruksanvisningen. Den faktiske levetiden varierer etter brukshyppighet og -intensitet.

#### 1.5.1 Ytterligere informasjon

Forventet levetid er basert på et estimert gjennomsnitt på 4 løftesykluser per dag.

### 1.6 Garantiopplysninger

Vi tilbyr en produsentgaranti for produktet i samsvar med våre generelle forretningsvilkår i det aktuelle landet.

Garantikrav kan bare rettes gjennom den aktuelle leverandøren av produktet.

### 1.7 Samsvar

Kvalitet er avgjørende for virksomheten til selskapet, som arbeider innenfor fagområdene i ISO 13485.

Dette produktet er CE-merket i samsvar med EU-direktivet 93/42/EØF om medisinsk utstyr, klasse 1.

Vi arbeider kontinuerlig for å sikre at selskapets påvirkning på miljøet – både lokalt og globalt – reduseres til et minimum.

Vi bruker kun materialer og komponenter som er i samsvar med REACH-forskriften.

Vi overholder de gjeldende miljøregelverkene WEEE og RoHS.

#### 1.7.1 Produktspesifikke standarder

Produktet er testet og i samsvar med ISO 10535 (personløftere til forflytning av funksjonshemmede) og alle relaterte standarder.

Kontakt din lokale Invacare-representant hvis du ønsker informasjon om tilgjengelig tilbehør. Se adresser på slutten av dette dokumentet.

## 2 Sikkerhet

### 2.1 Generelle retningslinjer



#### ADVARSEL!

– Du må IKKE bruke dette produktet eller tilgjengelig tilleggsutstyr uten først å ha lest og forstått denne veiledningen og eventuelle andre instruksjoner, for eksempel bruksanvisninger, servicehåndbøker eller instruksjonsark som følger med dette produktet eller tilleggsutstyr. Hvis du har problemer med å forstå advarslene eller instruksjonene, ta kontakt med en kvalifisert person i helsevesenet, en leverandør eller teknisk personell før du bruker dette utstyret, for å unngå personskade eller skade på utstyret.

#### ADVARSEL FOR EKSTRAUTSTYR

Produktene fra Invacare er utviklet og produsert spesielt for bruk sammen med tilbehør fra Invacare.

Tilbehør fra andre produsenter er ikke testet av Invacare og er ikke anbefalt for bruk sammen med produkter fra Invacare. I visse tilfeller kan det være mulig å bruke løfteseil fra andre produsenter.

– Kontakt det lokale Invacare-kontoret for mer informasjon om tilbehør.



#### VARSEL

– Informasjonen i dette dokumentet kan endres uten varsel.

Kontroller før produktet tas i bruk, at ingen av delene er skadet under frakt. IKKE bruk utstyret hvis det er skadet. Ytterligere hjelp får du hos leverandøren eller Invacare-representanten.

### 2.2 Bruksinformasjon

Denne delen av bruksanvisningen inneholder generell sikkerhetsinformasjon om produktet. Mer detaljert sikkerhetsinformasjon finner du i de relevante delene av bruksanvisningen og i prosedyrene som er beskrevet i de delene. For eksempel finner du sikkerhetsinformasjon vedrørende montering av løfteren i delen 3 *Montering, side 160*

#### 2.2.1 Generelt



#### ADVARSEL!

##### Risiko for å falle

FLYTT IKKE pasienten uten at dette er godkjent av pasientens lege, sykepleier eller medisinske pleiepersonell. Les denne bruksanvisningen nøye, se på mens et team med opplærte fagarbeidere utfører løfteprosedyren, og utfør deretter selv den komplette løfteprosedyren flere ganger under tilsyn og med en funksjonsfrisk person som pasient.

- Bruk vanlig sunn fornuft under alle løft. Du MÅ være spesielt oppmerksom med personer med funksjonshemminger som ikke kan samarbeide under selve løftet.
- Bruk alltid styrehåndtaket på masten til å skyve eller dra personløfteren.
- Kontroller løfteseilfestene hver gang løfteseilet tas av og settes på, slik at du er sikker på at det er forsvarlig festet før pasienten løftes bort fra det stasjonære objektet (seng, stol eller toalettstol).



#### ADVARSEL!

##### Risiko for personskade eller skade på utstyr

Enkelte underlag gjøre kan løfteren ustabil og føre til personskade eller skade på utstyret.

Løfteren kan brukes i nærheten av dusj og bad, men for mye fuktighet skader løfteren og kan føre til personskade.

- Ikke bruk løfteren på et skrått underlag. Invacare anbefaler at løfteren bare brukes på et flatt underlag.
- IKKE trill styrehjulsokkelen over ujevne underlag som kan føre til at personløfteren velter.
- IKKE bruk personløfteren i dusjen eller badekaret eller i andre miljøer med vedvarende fuktighet.
- Sørg for at all fuktighet tørkes av personløfteren etter bruk.
- LAGRE IKKE løfteren i et fuktig område eller i fuktig tilstand. Se verdiene for oppbevaringstemperatur, fuktighet og trykk som er oppført i *7.1 Problemløsningstabell, side 169*
- Kontroller regelmessig alle komponenter på personløfteren for rust. Bytt ut alle deler som er rustet eller skadet.

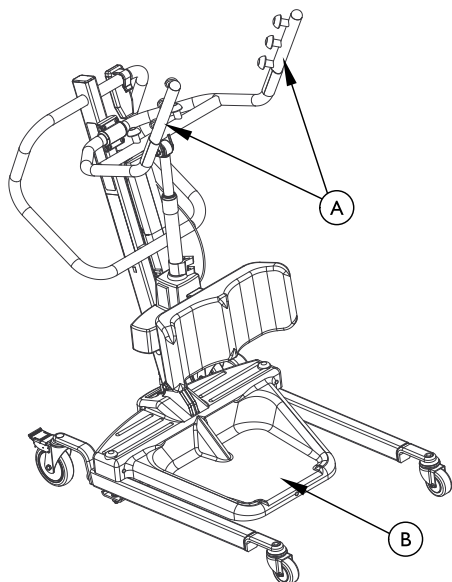
#### 2.2.2 Posisjonering



#### ADVARSEL!

##### Risiko for personskade

- Vær ALLTID oppmerksom på løftearmene. Fare for skade på pasienten og/eller pleier.
- Være ALLTID oppmerksom på fotstøtten, spesielt pasientens posisjon på fotstøtten. Fare for skade på pasienten og/eller pleier.



- i
- Ⓐ = Løftearmer
  - Ⓑ = Fotplate

### 2.2.3 Avfallshåndtering



#### ADVARSEL!

#### Miljøfare

Dette produktet er levert av en miljøbevisst produsent som oppfyller kravene i direktiv 2012/19/EF om avfall fra elektrisk og elektronisk utstyr (WEEE).

Utstyret inneholder blybatterier.

Produktet kan inneholde stoffer som kan skade miljøet dersom produktet blir kastet på steder (fyllplasser) som ikke er i samsvar med lover og forskrifter.

- KAST IKKE batterier som vanlig husholdningsavfall. De MÅ leveres på en godkjent gjenvinningsstasjon. Ytterligere informasjon får du hos det lokale renovasjonsselskapet.
- Vi ber deg vise miljøansvar og levere dette produktet til den lokale gjenvinningsstasjonen.

### 2.3 Høyfrekvent støy



#### ADVARSEL!

#### Risiko for personskade eller skade på utstyr

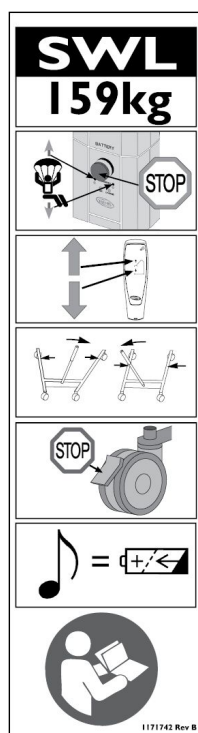
Det aller meste av elektronisk utstyr påvirkes av høyfrekvent støy (RFI).

Utvis FORSIKTIGHET når det brukes mobilt kommunikasjonsutstyr i området rundt utstyr som dette. Hvis ikke kan det oppstå personskade eller skade på utstyr.

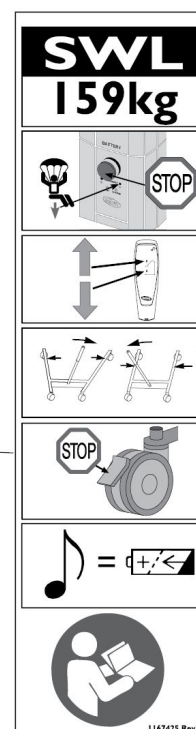
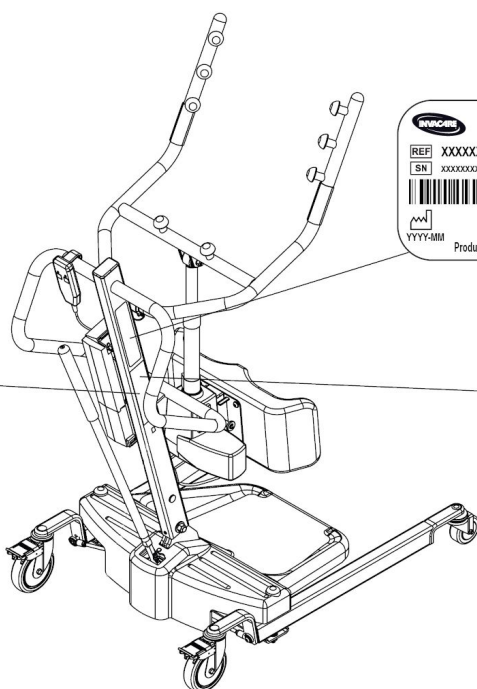
Hvis RFI forårsaker funksjonsfeil:

- TRYKK UMIDDELBART på den røde strømbryteren (slå den av).
- IKKE SLÅ PÅ strømbryteren mens overføringen pågår.

### 2.4 Produktmerking



RPS350-IFR



RPS350-IE

## 3 Montering

### 3.1 Sikker montering



#### ADVARSEL!

#### Risiko for personskade

Feil montering kan føre til personskade.

- Montering må KUN utføres av kvalifisert personell.
- Bruk kun Invacare-deler når du monterer denne personløfteren. Løftekomponentene er produsert i henhold til spesifikasjoner som sikrer at alle deler passer til hverandre, og at produktet kan brukes på en trygg måte.
- Ikke stram skruer for hardt. Det vil skade festebraketten.



Du trenger ikke verktøy for å montere personløfteren.

Hvis det oppstår problemer under montering, kontakter du din lokale Invacare-representant. Se kontaktinformasjonen bakerst i denne håndboken.

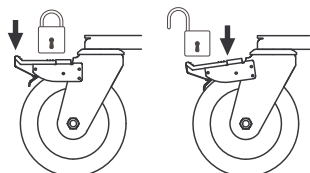
### 3.2 Montere masten til basen



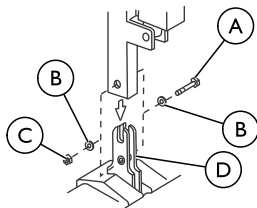
#### ADVARSEL!

- Bruk kun Invacare-deler når du monterer denne personløfteren. Sokkelføttene, masten, løftearmen, pumpeenheten og dreiestangen er produsert i henhold til spesifikasjoner som sikrer at alle deler passer til hverandre, og at produktet kan brukes på en trygg måte.

DETALJ A



DETALJ B



Ⓐ Unbrakobolt	Ⓒ Mutter
Ⓑ Underlagsskive	Ⓓ Festebrakett



Mastenheten kan fjernes fra sokkelen for oppbevaring eller transport. Mastenheten MÅ være forsvarlig festet til sokkelenheten før bruk.

1. Plasser sokkelen på gulvet.



Forsikre deg om at alle de fire styrehjulene berører gulvet.

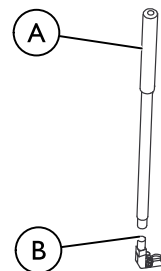
2. Lås de to bakre styrehjulene, se detalj A.

3. Ta ut unbrakobolten, underlagsskivene og mutteren som befinner seg i det U-formede sporet i sokkelen, se detalj B.
4. Løft masten i loddrett stilling.
5. Senk masten på festebraketten.
6. Fest masten på sokkelen med unbrakobolten, underlagsskivene og mutteren. Stram godt.

### 3.3 Klargjøre løfteren for bruk

Kontroll og stram alle festedelenes FØR bruk.

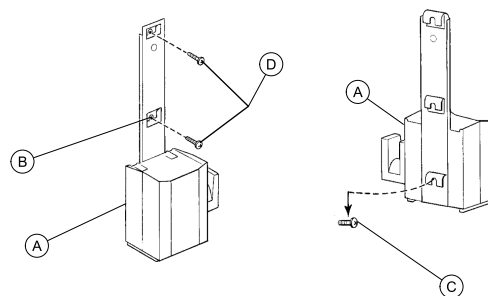
### 3.4 Montere skifterhåndtaket



Ⓐ Skifterhåndtak	Ⓑ Hannadapter i sokkelen
------------------	--------------------------

1. Ta skifterhåndtaket ut av emballasjen.
2. Trø skifterhåndtaket inn på hannadapteren på sokkelen.

### 3.5 Feste batteriladerens festebraketten til veggen



Se eventuelle forskrifter for korrekte monteringsprosedyrer.

Denne fremgangsmåten gjelder kun RPS350-1E-modellene.

1. Plasser batteriladeren med festebraketten Ⓐ på ønsket sted på veggen.
2. Merk plasseringen til det midtre hullet Ⓑ med en blyant.
3. Mål 6½ tommer (16,5 cm) nedover fra blyantmerket, og bor ett festehull.
4. Skru inn den nederste monteringskruen Ⓒ til skruhodet står ca. 3 mm fra veggen.
5. Plasser batteriladeren med festebraketten på den nederste monteringskruen.
6. Bor de to gjenværende festehullene.
7. Skru de to gjenværende monteringskruene Ⓓ gjennom festebraketten og inn i veggen. Stram godt.
8. Koble batteriladeren til et vegguttak.




ON-lysdioden skal lyse.



## 4 Bruk

### 4.1 Innledning

Personløfteren er enkel og trygg å bruke.

 Les sikkerhetsinformasjonen og anvisningene for følgende prosedyrer før du bruker personløfteren på en pasient:

- 2.2 Bruksinformasjon, side 158
- 5.3 Løfte pasienten, side 165

### 4.2 Lukke eller åpne løfterføtter



#### ADVARSEL!


##### Fare for personskade

Løfteren kan velte og sette pasienten og pleierne i fare.

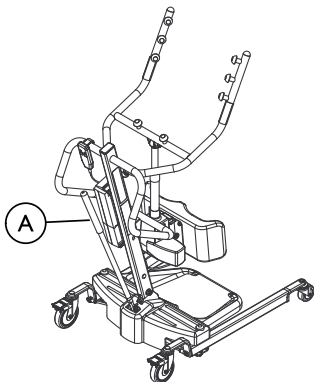
- Løfterens føtter må stå i maks. åpen stilling for å gi optimal stabilitet og sikkerhet. Dersom det er nødvendig å lukke løfterføttene når man skal manøvrere dem under sengen, må de kun holdes lukket til løfteren har kommet i stilling over pasienten og pasienten er løftet opp fra sengen. Når løfterføttene er klare av sengen, må de på nytt stilles i maks. åpen stilling.

#### 4.2.1 Lukke/åpne føttene manuelt


Skifterhåndtaket brukes til å åpne eller lukke sokkelens føtter under løfting av pasienter for å gi økt stabilitet.

 Les sikkerhetsinformasjonen i 4.2 Lukke eller åpne løfterføtter, side 161 før du utfører denne prosedyren.


Ⓐ = Skifterhåndtak



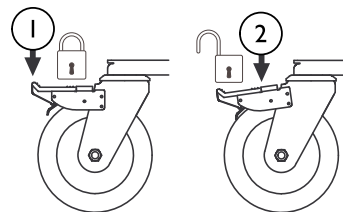
1. Slik lukker du føttene:  
Trekk skifterhåndtaket UT og bort fra oppreisningsløfteren og deretter mot VENSTRE til det LÅSES i brakettens spor.

 Venstre er sett fra posisjonen stående bak oppreisningsløfteren vendt mot de fremre styrehjulene.

2. Slik åpner du beina:  
Trekk skifterhåndtaket UT og bort fra oppreisningsløfteren og deretter mot HØYRE til det LÅSES i brakettens spor.

 Høyre er sett fra posisjonen stående bak oppreisningsløfteren vendt mot de fremre styrehjulene.

### 4.3 Låse eller låse opp bakre styrehjul



1. Trå her for å låse
2. Trå her for å låse opp

### 4.4 Heve eller senke løfteren



#### ADVARSEL!

##### Risiko for personskade

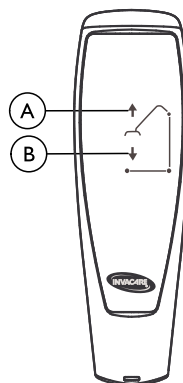
Løfteren kan velte og sette bruker eller assistent i fare.

- Invacare anbefaler at de bakre styrehjulene ikke låses under løft slik at personløfteren stabiliseres når pasienten initialt løftes fra en stol, seng eller andre stasjonære objekter.

#### 4.4.1 Heve eller senke en elektrisk løfter



Les sikkerhetsinformasjonen i 4.4 Heve eller senke løfteren, side 161 før du utfører denne prosedyren.



1. Heve løfteren: Trykk på og hold inne OPP-knappen Ⓐ for å heve løftearmen og pasienten.
2. Senke løfteren: Trykk på og hold inne NED-knappen Ⓑ for å senke løftearmen og pasienten.



Slipp knappen for å stanse hevingen eller senkingen av løfteren.

## 4.5 Aktivere en mekanisk nødsenkning

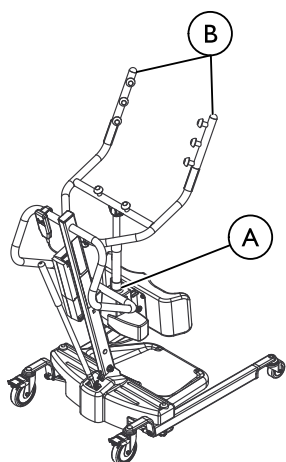
Det finnes to typer mekaniske nødfunksjoner – en primær og en sekundær.

### 4.5.1 Primær nødfunksjon



1. Stikk en penn inn i hullet som er merket Nødheving (Emergency Up) **A** eller Nødsenkning (Emergency Down) **B** på kontrollboksen **C**.

### 4.5.2 Sekundær nødfunksjon



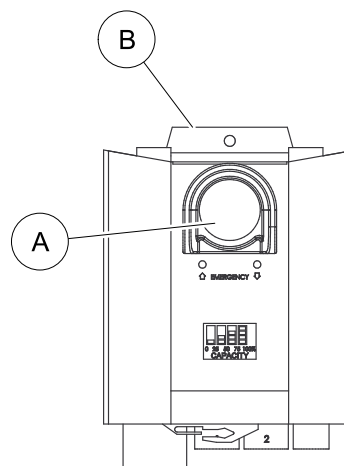
<b>A</b> RØDT nødhåndtak	<b>B</b> Løftearm
--------------------------	-------------------

- i** Vi anbefaler at du bruker den primære nødsenkningen. Den sekundære nødsenkningen er kun en reserveløsning for den primære nødsenkningen.

I tilfeller hvor den primære nødsenkningen ikke fungerer eller ikke kan nås, kan du bruke den sekundære nødsenkningen.

1. Trekk NØDHÅNDTAKET **A** oppover og skyv samtidig løftearmene **B** nedover.

## 4.6 Utføre en nødstop



1. Trykk på den RØDE knappen **A** på kontrollboksen **B** for å stoppe løftearmens og pasientens bevegelser oppover eller nedover.
2. Vri nødknappen mot klokken for å nullstille den.

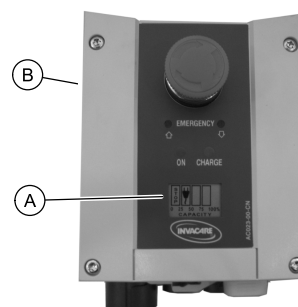
## 4.7 Lade batteriet

- i** Av hensyn til batteriets levetid anbefaler Invacare at batteriet lades daglig.

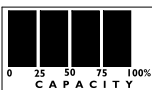
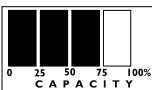
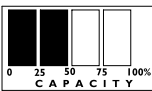
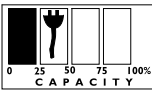
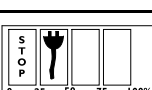
Det finnes to forskjellige fremgangsmåter for å lade opp batteriet. En metode bruker en strømledning som festes til kontaktskapet, den andre krever at batteriet må monteres på batteriladeren. Følg den mest passende prosedyren for å lade batteriet for den pasientheisen som du vil bruke.

### 4.7.1 Batteriindikator

- i** Denne fremgangsmåten gjelder kun RPS350-1FR-modellene.





Batterilysdioden **A** er plassert på kontrollboksen **B**. Indikatorlampene angir batteriets tilstand:


Batteriindikator for kontrollboks Ⓐ	Batteriets tilstand	Beskrivelse
	Fullt ladet (100 %)	Batteriet er OK – ikke nødvendig å lade (100 %).
	Delvis ladet (75 %)	Batteriet er OK – ikke nødvendig å lade (75 %).
	Delvis ladet (50 %)	Batteriet må lades opp (50 %).
	Nesten utladet (25 %)	Batteriet må lades opp (25 %). Lydhornet avgir pipelyder når en knapp blir trykket inn.
	Nesten utladet (0 %)	Batteriet må lades opp. Noen av løfterens funksjoner virker ikke lenger, og du kan bare senke løftearmen.  En lydalarm gir signal (et lydhorn avgir pipelyder) når batterispenningen er lav. Dersom lydalarmer utløses under en forflytning, fullfører du forflytningen og lader deretter batteriet.

#### 4.7.2 Lade batteriet ved hjelp av strømledning

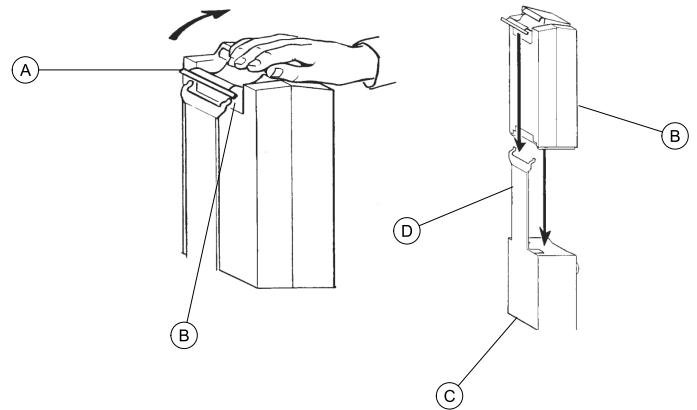


 Denne fremgangsmåten gjelder bare RPS350–1FR.  
Ⓐ = Strømledningen kobles til her

 **FORSIKTIG!**  
– Nødstoppen MÅ IKKE aktiveres – batteriet kan i så fall ikke lades. Mens batteriet lades, kan ikke personløfteren brukes. FLYTT IKKE på personløfteren uten å først koble strømledningen fra vegguttaket. BRUK IKKE personløfteren dersom batterihuset er skadet. Bytt ut batterihuset før du bruker personløfteren igjen.


1. Fest strømledningen til kontrollboksen.
2. Plugg strømledningen i en stikkontakt.  
 Batteriet vil bruke omtrent fire timer på å lade seg opp. Oppladingen må foregå i et rom med god ventilasjon.
3. Koble strømledningen fra stikkontakten etter at batteriet er fullt oppladet.


#### 4.7.3 Lade batteriet ved hjelp av batterilader




 Denne fremgangsmåten gjelder bare RPS350–1E.

1. Løft opp håndtaket Ⓐ på baksiden av batteriet Ⓑ.
2. Løft batteriet opp og bort fra kontrollboksen Ⓒ.


 **FORSIKTIG!**  
Feil innsetting av batteriet kan føre til skade på personer eller utstyr.  
– Når batteriet settes i batteriladeren, skal det høres et klikk som angir at batteriet er korrekt satt i.

3. Sett batteriet i batteriladeren Ⓓ som vist. Du skal høre et klikk.  
 Lysdioden som angir lading, vil bli tent. Når oppladingen er fullført, vil lysdioden bli slukket. Det tar omtrent fire timer å lade et batteri fullt opp.

4. Løft opp håndtaket på baksiden av batteriet.
5. Løft batteriet opp og bort fra batteriladeren.

 **FORSIKTIG!**  
Feil innsetting av batteriet kan føre til skade på personer eller utstyr.  
– Når batteriet settes på kontrollboksen, skal det høres et klikk som angir at batteriet er korrekt satt på.

6. Sett batteriet tilbake på kontrollboksen som vist. Du skal høre et klikk.

 Batteriet skal sitte på kontrollboksen og batteriladeren som vist.

## 5 Løfte pasienten

### 5.1 Sikker løfting



#### ADVARSEL!

- IKKE overskrid begrensningen for maksimal pasientvekt (SWL) på 159 kg (25 stone).
- IKKE forsøk å flytte pasienten uten at dette er godkjent av helsepersonell.
- Hold ALLTID hender og fingre borte fra deler i bevegelse for å hindre skade.
- Under flytting av en pasient mens han/hun henger i løfteseilet, må du IKKE føre løftersokkelen over ujevne underlag som kan føre til at løfteren blir ustabil.
- Bruk styrehåndtaket på mastenheten til å skyve eller dra oppreisningsløfteren.



#### ADVARSEL!

##### Betjene løfteren og løfte pasienten

- Forsikre deg om at utstyr som brukes med oppreisningsløfteseilet, har tilstrekkelig styrke til å løfte belastningen (f.eks. løfteseil). Skulle det oppstå svikt på utstyret, må du sikre at personen som løftes, ikke utsettes for fare.
- Før du posisjonerer oppreisningsløfterens føtter rundt pasienten, må du sørge for at pasientens føtter er ute av veien for fotplaten. Ellers kan det oppstå personskade.
- Alle sikkerhets- og komfortjusteringer må utføres før pasienten flyttes. Pasientens armer må være utenfor løfteseilstrøppene.



#### ADVARSEL!

##### Betjene løfteren og løfte pasienten

- Før løfting av en pasient fra et stasjonært objekt (rullestol, toalettstol eller seng) må du heve pasienten litt av det stasjonære objektet og sjekke at alle løfteseilfestene er sikre. Hvis noen fester ikke er korrekte, senker du pasienten og korrigerer problemet. Deretter hever du pasienten og sjekker igjen.
- Under flytting av en pasient mens han/hun henger i et løfteseil som er festet til løfteren, må du IKKE føre styrehjulsokkelen over ujevne underlag som kan føre til ubalanse i personløfteren slik at den velter. Bruk ALLTID styrehåndtaket på masten til å skyve eller dra personløfteren.
- Invacare anbefaler at de bakre styrehjulene KUN låses når løfteseilet (oppreisning eller forflytning) skal plasseres rundt eller fjernes fra pasienten.
- Invacare anbefaler at de bakre styrehjulene på personløfteren IKKE låses når en pasient skal løftes. Dette kan føre til at løfteren velter og dermed sette brukeren eller pleierne i fare. Invacare anbefaler at de bakre styrehjulene ikke låses under løft slik at personløfteren kan stabilisere seg når pasienten initialt løftes fra en stol, seng eller andre stasjonære objekter.



#### ADVARSEL!

##### Bruke løfteseilet

- Bruk løfteseilet som anbefales av helsepersonell, av hensyn til brukerens komfort og sikkerhet.
- Personer som bruker oppreisningsløfteseilet, MÅ være i stand til å bære mesteparten av sin egen vekt, for ellers kan det oppstå personskade.
- Løfteseil som er bleket, revnet, oppskåret, frynset eller ødelagt, er utrygge, og bruk av slike kan føre til person- eller utstyrsskade. Kast UMIDDELBART løfteseil som slike tegn på skade.
- UTFØR IKKE endringer på løfteseilene.
- Kontroller løfteseilfestene hver gang løfteseilet tas av og settes på, slik at du er sikker på at det er forsvarlig festet før pasienten løftes bort fra det stasjonære objektet (seng, stol eller toalettstol).
- Hvis pasienten sitter i en rullestol, må rullestolbremsene aktiveres for å hindre at stolen beveger seg fremover eller bakover.
- Iverksett tiltak som hindrer at personen som løftes, ikke utsettes for fare, og at personen han frigjøres uten å skades.



#### ADVARSEL!

##### Oppreisningsløfteseil

- Bruk IKKE oppreisningsløfteseilet kombinert med personløfteren som en transportenhet. Den er beregnet på flytting av personer fra ett hvileunderlag til et annet (f.eks. en seng eller en rullestol).
- Før du løfter pasienten, må du påse at den nedre kanten på oppreisningsløfteseilet er plassert på den nedre delen av pasientens rygg, og at pasientens armer er utenfor oppreisningsløfteseilet. Beltet MÅ sitte tett, men komfortabelt på pasienten, for ellers kan pasienten skli ut av løfteseilet under forflytning, og det kan oppstå personskade.
- Beltet MÅ sitte tett, men komfortabelt på pasienten, for ellers kan pasienten skli ut av løfteseilet under forflytning, og det kan oppstå personskade.

##### Løfteseil for forflytning

- Før du løfter pasienten, må du påse at den nedre kanten på forflytningsløfteseilet er på nedre del av ryggraden, og at pasientens armer er utenfor forflytningsløfteseilet.
- Løft IKKE pasienten til fullt stående stilling mens forflytningsløfteseilet brukes, siden det er forbundet med fare for personskade.



Se brosjyren for personløfteseilet for mer informasjon.

### 5.2 Plassere oppreisningsløfteren



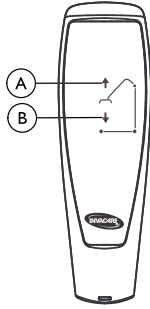
Se i sikkerhetsdelen i denne bruksanvisningen og les informasjonen under *5.1 Sikker løfting*, side 164 før du fortsetter, og følg alle advarslene.

Før personløfterens bein plasseres under en seng, må du kontrollere at området er fritt for hindringer.

**ADVARSEL!****Risiko for personskade**

Løfteren kan velte og sette bruker eller assistent i fare.

- Løfterens bein må være åpnet maksimalt for å oppnå optimal stabilitet. Hvis beina må lukkes for å manøvrere løfteren under en seng, må de være lukket bare så lenge det tar å plassere løfteren over pasienten og løfte pasienten opp av sengen. Når beina ikke lenger er under sengen, åpnes de maksimalt igjen.



A OPP-knapp

B NED-knapp

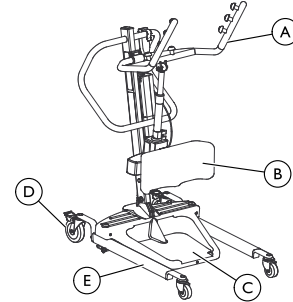
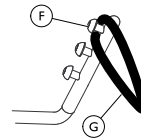
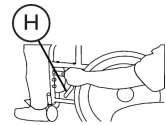
1. Forsikre deg om at oppreisningsløfterens føtter er i maksimal åpen stilling. Hvis ikke, bruker du skifterhåndtaket til å åpne føttene.
2. Plasser oppreisningsløfteren ved hjelp av masthåndtaket.
3. Trykk på ned-pilknappen på håndkontrollen for å senke løftearmene slik at de kan festes enkelt til løfteseilet.

**5.3 Løfte pasienten****ADVARSEL!**

- IKKE overskrid begrensningen for maksimal pasientvekt (SWL) på 159 kg (25 stone).
- Personer som bruker oppreisningsløfteseilet, MÅ være i stand til å bære mesteparten av sin egen vekt, for ellers kan det oppstå personskade.
- IKKE lås de bakre styrehjulene på oppreisningsløfteren når en pasient løftes. Hvis de bakre styrehjulene er låst, kan dette kan føre til at oppreisningsløfteren velter og dermed sette brukeren eller pleierne i fare. Opplåsing av de bakre styrehjulene under løfting gjør at løfteren kan stabilisere seg når pasienten innledningsvis løftes fra en rullestol, seng eller andre stasjonære objekter.
- Beveg IKKE pasienten hvis løfteseilet ikke er korrekt festet til festepunktene på oppreisningsløfteren.
- Kontroller at løfteseilet er godt festet FØR pasienten løftes. Hvis eventuelle fester ikke er korrekt plassert, må problemet løses. Når løfteseilet er hevet noen få cm/tommer opp fra den stasjonære overflaten og pasienten ikke er beveget ennå, må du kontrollere på nytt at løfteseilet og alle festene er sikre. Hvis du oppdager problemer, senker du pasienten tilbake til den stasjonære overflaten og løse problemet. I motsatt fall kan det føre til person- eller utstyrsskade.
- Alle sikkerhets- og komfortjusteringer må utføres før pasienten flyttes.

**ADVARSEL!**

- Bruk løfteseilet som anbefales av pasientens lege, sykepleier eller medisinsk pleiepersonell, av hensyn til brukerens komfort og sikkerhet. Invacares personløfteseil er laget spesielt for bruk sammen med Invacares personløftere. I visse tilfeller kan det være mulig å bruke løfteseil fra andre produsenter på Invacares løftere. Kontakt ditt lokale Invacare-kontor dersom du ønsker mer informasjon.

**Detalj A – Oppreisningsløfter****Detalj B – Løfteseilfeste****Detalj C – Brems**

A Håndtak	E Fot
B Knepute	F Krok
C Fotplate	G Løkke på løfteseilet
D Bakre styrehjul	H Brems



Se bruksanvisningen for personløfteseilet for mer informasjon.

Pasienten MÅ være i sittende posisjon først. Bruk sengens hodedel for å få pasienten i oppreist stilling, og flytt deretter bena over på siden av sengen.

1. Be pasienten om å holde på håndtakene på begge sidene av oppreisningsløfteren (detalj A).
2. Be pasienten om å lene seg tilbake i oppreisnings- eller forflytningsløfteseilet.

**ADVARSEL!**

- Oppreisningsløfteseil – Før du løfter pasienten, må du påse at den nedre kanten på løfteseilet er plassert på den nedre delen av pasientens rygg, og at pasientens armer er utenfor løfteseilet.
- Løfteseil for forflytning – Før du løfter pasienten, må du påse at den nedre kanten på løfteseilet er plassert på den nedre delen av ryggraden, og at pasientens armer er utenfor løfteseilet.

3. Forsikre deg om følgende:
  - a. Pasientens knær er plassert sikkert mot knestøtten.
  - b. Pasientens føtter godt plassert på fotplaten.
  - c. Løfteseil:
    - Nedre kant av oppreisningsløfteseilet er plassert på nedre del av pasientens rygg.
    - Nedre kant av forflytningsløfteseilet er plassert ved nedre del av pasientens ryggrad.
    - Pasientens armer befinner seg utenfor løfteseilet.
    - Løfteseilets løkker befinner seg i krokene til løftearmene (detalj B).
  - d. De bakre styrehjulene er ulåst.
  - e. Føttene er maksimal åpen stilling.

**ADVARSEL!**

– Hvis en pasient flyttes fra en rullestol, MÅ rullestolbremsene være låst før du senker pasienten ned i rullestolen. Ellers kan det oppstå personskade.

4. Ved flytting fra en rullestol aktiverer du bremsene på rullestolen (detalj C).
5. Trykk på pil OPP-pilknappen på håndkontrollen for å heve pasienten over overflaten (seng, rullestol eller toalettstol). Hele pasientens vekt bæres av oppreisningsløfteren.



Det lave tyngdepunktet gir økt stabilitet og trygghet for pasienten og gjør løfteren enklere å bevege.

## 5.4 Flytting av pasienten

**ADVARSEL!**

– Bena på stå-heisen MÅ befinne seg i den største åpne posisjonen for optimal stabilitet og sikkerhet. Hvis pasienten er i et seil og det blir nødvendig å bevege seg gjennom et smalt trangt sted, lukkes bare bena på stå-heisen så lenge som nødvendig for å kunne bevege seg gjennom trangt sted. Når stå-heisen har kommet gjennom et trangt sted, returnerer man bena til den maksimale åpne posisjonen.

– Man MÅ IKKE rulle rullehjulbasen over ujevne overflater som kan resultere i en ubalanse av heisen i løpet av overføringen av en pasient som sitter i løfteseilet. Dette kan forårsake at heisen velter. Bruk alltid håndtaket på masten til å skyve eller trekke heisen.

1. Pass på at bena på stå-heisen befinner seg i den største åpne posisjon. Hvis ikke, trykk på knappen for ÅPNING av bena på den manuelle styreanordningen for å flytte bena til den største åpne posisjonen.
2. Flytt stå-heisen bort fra den overflaten som bena ble løftet fra.
3. Flytt pasienten over til den ønskede overflaten.

## 6 Flytte pasienten

### 6.1 Sikker forflytning



#### ADVARSEL!

- IKKE overskrid begrensningen for maksimal pasientvekt (SWL) på 159 kg (25 stone).
- IKKE forsøk å flytte en pasient uten at dette er godkjent av helsepersonell. Les instruksjonene i denne bruksanvisningen nøye, observer så et team med opplærte fagarbeider utføre løfteprosedyren, og utfør deretter selv den komplette løfteprosedyren flere ganger under tilsyn og med en funksjonsfrisk person som pasient. Det kan tilbys opplæring. Kontakt ditt lokale Invacare-kontor dersom du ønsker mer informasjon.
- Beveg IKKE pasienten hvis løfteseilet ikke er korrekt festet til festepunktene på oppreisningsløfteren. Kontroller at løfteseilet er korrekt festet til festepunktene før pasienten løftes. Hvis eventuelle fester ikke er korrekt plassert, må problemet løses. Når løfteseilet er hevet noen få cm/tommer opp fra den stasjonære overflaten og pasienten ikke er beveget ennå, må du kontrollere på nytt for å påse at alle fester på løfteseilet er sikre. Hvis noen av festene ikke sitter godt, senker du pasienten tilbake til den stasjonære overflaten og løse problemet. I motsatt fall kan det føre til person- eller utstyrskade.
- Alle sikkerhets- og komfortjusteringer må utføres før pasienten flyttes. Pasientens armer må være utenfor stroppene.

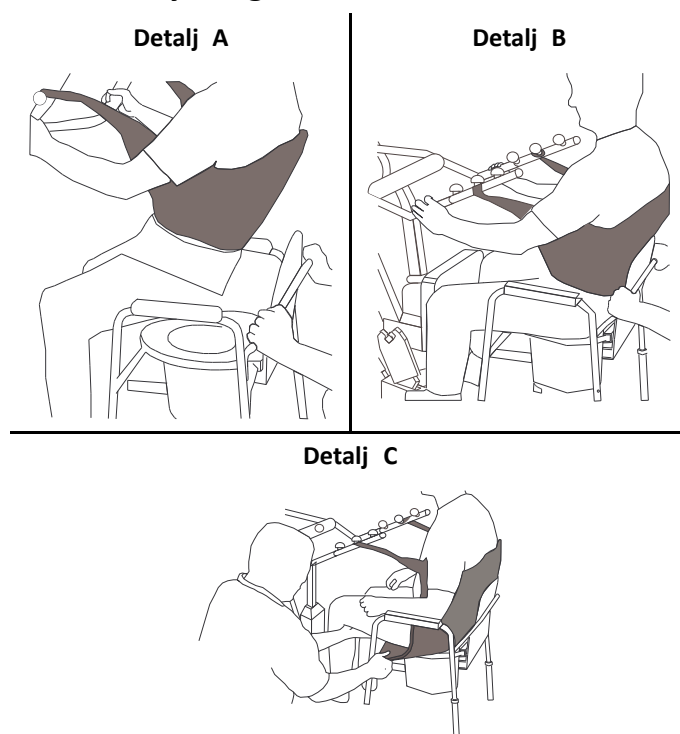


#### ADVARSEL!

- Bruk løfteseilet som anbefales av helsepersonell, av hensyn til brukerens komfort og sikkerhet.
- IKKE lås de bakre styrehjulene på oppreisningsløfteren når en pasient løftes. Hvis de bakre styrehjulene er låst, kan dette kan føre til at oppreisningsløfteren velter og dermed sette brukeren eller pleierne i fare.
- Oppreisningsløfterens føtter MÅ være åpnet maksimalt for å oppnå optimal stabilitet. Hvis pasienten befinner seg i et løfteseil og det blir nødvendig med forflytning gjennom en smal passasje, lukker du oppreisningsløfterens føtter kun mens denne passasjen forseres. Når oppreisningsløfteren er gjennom passasjen, settes føttene tilbake i maksimal åpen stilling. Hvis det er nødvendig å lukke føttene for å manøvrere oppreisningsløfteren under en seng, skal de være lukket bare så lenge det tar å plassere oppreisningsløfteren over pasienten og løfte pasienten opp av sengen. Når føttene til oppreisningsløfteren ikke lenger er under sengen, åpnes de til maksimal stilling igjen.
- Kontroller løfteseilfestene hver gang løfteseilet tas av og settes på, slik at du er sikker på at det er forsvarlig festet, før pasienten løftes bort fra en overflate.

Helsepersonell må vurdere i hvert enkelt tilfelle om løfteren kan betjenes av én person på en trygg måte.

### 6.2 Forflytning til en toalettstol



#### ADVARSEL!

- Invacare anbefaler at de bakre styrehjulene kun låses når løfteseilet skal plasseres rundt eller fjernes fra pasienten.

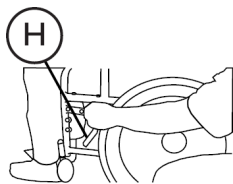
1. Løft opp pasienten fra venstre side av sengen.
2. Trykk på pil OPP-knappen på håndkontrollen for å heve pasienten høyt nok til at armene går klare av toalettstolen. Vekten bæres av oppreisningsløfteren.
3. Styr pasienten til toalettstolen. Dette kan kreve to pleiere.
4. Trykk på ned-pilkknappen for å senke pasienten ned på toalettstolen.
5. Lås de bakre styrehjulene på oppreisningsløfteren.
6. Avhengig av løfteseiltypen utfører du ett av følgende:
  - Oppreisningsløfteseil – løsne oppreisningsløfteseilet fra festepunktene på oppreisningsløfteren.
  - Løfteseil for forflytning –
    - a. Løsne forflytningsløfteseilet fra de nederste festepunktene på oppreisningsløfteren.
    - b. Løft opp pasientens ben, og fjern lårstøttene fra pasientens underside.
    - c. Løsne om ønskelig forflytningsløfteseilet fra de øverste festepunktene på oppreisningsløfteren.
7. Be pasienten om å løfte føttene ut av fotplaten, hjelp eventuelt til med dette.
8. Fjern løfteseilet fra pasienten.
9. Lås opp de bakre styrehjulene, og trekk oppreisningsløfteren bort fra toalettstolen.
10. Når dette er gjort, kontrollerer du igjen at løfteseilet er godt festet.



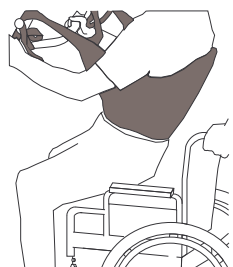
Pasienten kan forbli i den øvre delen av forflytningsløfteseilet under bruk av toalettstolen.

## 6.3 Forflytning til en rullestol

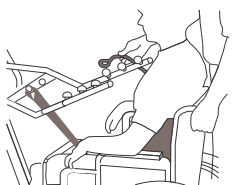
Detalj A



Detalj B



Detalj C



 **H** = Rullestolbrems

1. Forsikre deg om at føttene til løfteren som har pasienten i løfteseilet, er i åpen stilling.
2. Flytt rullestolen til riktig posisjon.
3. Aktiver bremsene på rullestolen for å hindre at rullestolen beveger seg (detalj A).



### ADVARSEL!

– IKKE plasser pasienten i rullestolen hvis bremsene ikke er aktivert. Rullestolbremsene MÅ være i låst stilling før du senker en pasient ned i rullestolen for transport. Ellers kan det oppstå personskade.

4. Posisjoner pasienten over rullestolen (detalj "B").

5. Trykk på ned-pilkknappen, og senk pasienten inn i rullestolen.



### ADVARSEL!


– Lås de bakre styrehjulene KUN når løfteseilet (oppreisning eller forflytning) plasseres rundt eller fjernes fra pasienten. Ellers kan det oppstå personskade.

6. Lås de bakre styrehjulene.
7. Løsne løfteseilet fra alle festepunktene på løfteren (detalj C).
8. Be pasienten om å løfte føttene ut av fotplaten. Hjelp pasienten om nødvendig.
9. Fjern løfteseilet fra pasienten.
10. Lås opp de bakre styrehjulene, og trekk oppreisningsløfteren bort fra rullestolen.

## 6.4 Forflytning til en seng




Det lave tyngdepunktet gir økt stabilitet og trygghet for pasienten og gjør løfteren enklere å bevege.

1. Plasser pasienten så langt inn på sengen som mulig.
  -  Dersom pasienten flyttes fra et underlag som er lavere enn sengen, trykker du på oppoverpilkknappen for å heve pasienten over sengeoverflaten. Pasienten bør løftes så høyt at han/hun så vidt går klar av sengen mens løfteren bærer hele vekten.
2. Trykk på ned-pilkknappen og senk pasienten ned på sengen.



### ADVARSEL!

– Invacare anbefaler at de bakre styrehjulene KUN låses når løfteseilet skal plasseres rundt eller fjernes fra pasienten.


3. Lås de bakre styrehjulene.
4. Løsne oppreisnings- eller forflytningsløfteseilet fra alle festepunktene på oppreisningsløfteren.
5. Be pasienten om å løfte føttene ut av fotplaten.
  -  Hjelp pasienten om nødvendig.
6. Fjern oppreisnings- eller forflytningsløfteren bort fra pasienten.
7. Lås opp de bakre styrehjulene og trekk oppreisningsløfteren bort fra sengen.



## 7 Feilsøking

### 7.1 Problemløsningsstabell

SYMPTOMER	FEIL	LØSNING
Støy eller tørr lyd fra bevegelige ledd.	Trenger smurning	Se <i>Smøring av heisen</i> .
Når knappen trykkes inn, klarer ikke den elektriske løftmotoren å løfte.	En kontakt på håndkontrollen eller løftmotoren er løs.	Pass på at kontakten på håndkontrollen eller løftmotoren sitter godt. Sørg for at kontaktene sitter godt og er helt tilkoblet.
	Lav batterispenning.	Lad batteriene. Se <i>4.7 Lade batteriet, side 162</i>
	RØD nødstopknapp er trykket INN.	Vri den RØDE nødstopknappen med klokken til den løses ut.
	Batteriet er ikke korrekt koblet til kontrollboksen.	Koble batteriet til kontrollboksen på nytt. Se <i>4.7 Lade batteriet, side 162</i>
	Kontaktpolene er skadet.	Bytt ut batteriet. Se <i>4.7 Lade batteriet, side 162</i>
	Den elektriske løftmotoren trenger service, eller belastningen er for høy.	Se <i>8.7 Bytte ut den elektriske løftmotoren, side 172</i> Kontakt leverandøren eller Invacare-representanten.
Uvanlig støy fra løftearmmotor.	Løftmotoren er slitt eller skadet, eller tappen er bøyd.	Se <i>8.7 Bytte ut den elektriske løftmotoren, side 172</i> Kontakt leverandøren eller Invacare-representanten.
Løftearmene vil ikke senke seg når de står i øverste stilling.	Løftearmene krever en minstebelastning for å senke seg fra den øverste stillingen.	Trekk forsiktig i løftearmene.
Føttene åpnes ikke og lukkes ikke ordentlig.	Sokkelen kan kreve justering.	Se <i>8.6 Justere sokkelen, side 172</i>

 Dersom feilen fortsatt er der etter at du har prøvd de angitte løsningene, kontakter du din leverandør eller Invacare-representant.

## 8 Vedlikehold

### 8.1 Sjekkliste for sikkerhetskontroll



#### ADVARSEL!

- Vedlikehold må KUN utføres av kvalifisert personell.
- En kompetent person må sørge for produktet har tilstrekkelig styrke og stabilitet for alle formål hvis deler skiftes ut.
- Monteringsbeslagene MÅ IKKE strammes til alt for hardt. Dette vil skade festeklemmene.



Følg vedlikeholdsprosedyrene som er beskrevet i denne håndboken for å kunne sikre uavbrutt service av løfteanordningen for pasienter.

Pasienteheisen Invacare er fremstilt for å kunne tilby maksimal sikker, effektiv og tilfredsstillende service med minst mulig bekymring og vedlikehold.

Alle delene på Invacare heisen er fremstilt av beste kvalitet av stål, men metall- til metall vil bli slitt etter vesentlig bruk.

Det er ikke nødvendig med justering eller vedlikehold av rullehjulene, bortsett fra rengjøring, smøring og kontroll av aksel- og svivelbolter for å sikre at de sitter tett til. Alle rester og skrot må fjernes fra rullehjulet og svivellagerene. Hvis noen deler viser seg å være slitte, må disse delene byttes ut UMIDDELBART.

Hvis du har noen spørsmål vedrørende sikkerhet av noen del av heisen, ta kontakt med forhandleren UMIDDELBART.

Regulært vedlikehold av pasienteheisen og tilleggsutstyret er nødvendig for å sikre riktig drift.

Etter de første tolv månedene med drift, må alle svingpunkter og festeanordninger kontrolleres for å sikre at slitasje ikke har funnet sted. Hvis metallet er slitt, MÅ delene byttes ut. Denne kontrollen MÅ UTFØRES hver sjetten måned.

Kontrolldato:	Initialer:
<b>HJULBASE</b>	
<input type="checkbox"/> Se etter deler som mangler. <input type="checkbox"/> Basen åpner/lukker seg enkelt. <input type="checkbox"/> Kontroller at hjul og akselbolter er godt tilstrammet. <input type="checkbox"/> Kontroller at hjul dreier og ruller godt. <input type="checkbox"/> Rengjør hjulene for løse partikler. <input type="checkbox"/> Kontroller dreieledd for slitasje.	
<b>LØFTESEIL OG DELER</b>	
<input type="checkbox"/> Kontroller alle løfteseilfester hver gang løfteseilet brukes, for å sikre at det er godt festet, og at pasienten er trygg. <input type="checkbox"/> Kontroller løfteseilmaterialet for slitasje. <input type="checkbox"/> Kontroller stroppene for slitasje. <input type="checkbox"/> Kontroller sømmer.	
<b>LØFTEMOTORENHET</b>	
<input type="checkbox"/> Se etter lekkasje. <input type="checkbox"/> Kontroller deler på mast, løftearm og base. <input type="checkbox"/> Kontroller for slitasje eller forringelse. Send tilbake til fabrikken dersom den er skadet. <input type="checkbox"/> Kjør en syklus for å kontrollere at løftemotoren fungerer jevnt og stille.	
<b>LØFTERARMENE OG FORBINDELSER</b>	
<input type="checkbox"/> Kontroller alle beslag og festeanordningspunkter. <input type="checkbox"/> Kontroller bøyninger og avbøyninger. <input type="checkbox"/> Kontroller bolteleddene på løftearmene for å unngå eventuelle slitasje. <input type="checkbox"/> Kontroller at løftearmene befinner seg i senter mellom bena på basen. <input type="checkbox"/> Kontroller dreieledd for slitasje. <input type="checkbox"/> Kontroller løfteseilkrokene for slitasje eller skade.	
<b>MASTEN</b>	
<input type="checkbox"/> Masten må være godt festet til løftearmen. <input type="checkbox"/> Se etter knekker og ujevnheter. <input type="checkbox"/> Kontroller dreieledd for slitasje.	
<b>RENGJØRING</b>	
<input type="checkbox"/> Etter behov.	

## 8.2 Rengjøre løfteseilet og løfteren



### ADVARSEL!

– Kontroller løfteseilet nøye etter HVER vask (i samsvar med vaskeanvisningene for løfteseilet) med tanke på slitasje, rifter og løse sømmer. Kast UMIDDELBART pasientløfteseil som slike tegn på skade.

## Rengjøre løfteseilet

Løfteseilet skal vaskes regelmessig i vann ved en maks.temperatur på 95 °C (203 °F) og en biologisk oppløsning. Se vaskeanvisningene i bruksanvisningen for løfteseilet.

## Rengjøre og desinfisere løfteren

For å hindre kryssmitte bør løfteren rengjøres og desinfiseres hver gang den har vært brukt.

Alt du trenger for å rengjøre personløfteren, er en myk klut som er fuktet med vann, og litt mild såpe. Løfteren kan rengjøres med ikke-slipende rengjøringsmidler.

Bruk aldri syrer, baser eller løsemidler til å rengjøre løfteren. Tørk av løfteren nøye etter rengjøring.

Motorer, kontrollenhet og monteringsdeler kan bli skadet dersom løfteren rengjøres på noen annen måte enn det som er angitt ovenfor.

Løfteren må tørkes med en fuktig, godt oppvridd klut med vanlige desinfeksjonsmidler. Bruk bare desinfeksjonsmidler som er godkjent av institusjonen.

## 8.3 Gjenbruk

Dette produktet er egnet for gjenbruk. Hvor mange ganger produktet kan brukes på nytt, vil avhenge av produktets tilstand.

Personløfteren og løfteseilene bør rengjøres hver gang de har vært brukt, for å hindre overføring av smitte. Før løfteren skal brukes på nytt eller overtales, bør du se i *Rengjøre løfteseilet og løfteren*.

## 8.4 Hvordan man oppdager slitasje og skade

Det er viktig å kontrollere alle deler som er utsatt for stress, slik som løfteseil, løftearm og en hver dreitapp for løfteseilet, for å sikre at det ikke finnes tegn på sprekker, frynser, misdannelse eller ødeleggelse. Eventuelle defekte deler må byttes ut UMIDDELBART og man må passe på at heisen ikke tas i bruk før reparasjonene har blitt utført.

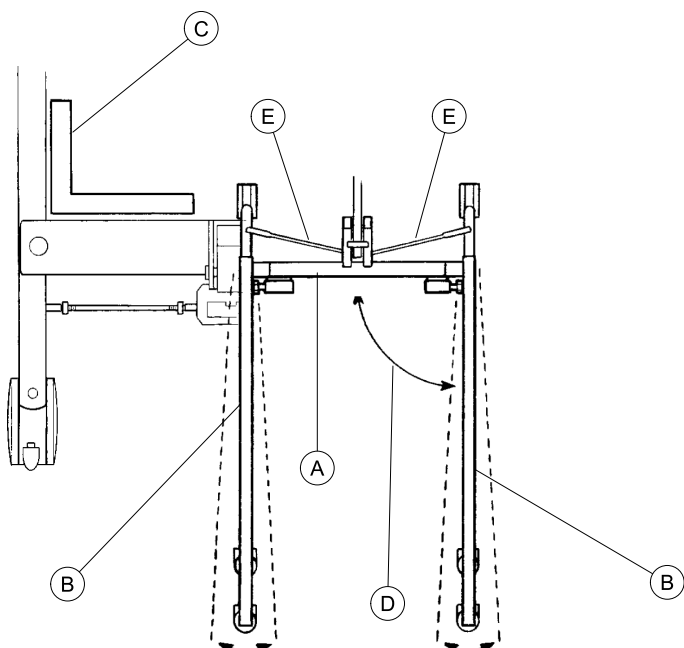
## 8.5 Smøre løfteren

Invacare-løfteren er laget slik at den krever minimalt med vedlikehold. Den må likevel kontrolleres og smøres én gang hver 6. måned for å sikre at den er trygg og pålitelig.

Hold løfteren og løfteseilene rene og i god stand. Alle feil må registreres og rapporteres til leverandøren så raskt som mulig.

Styrehjulene MÅ dreie og rulle jevnt. Et lett smørefett (vannbestandig smøremiddel for biler) kan påføres på styrehjulenes kulelagerdreiedel én gang i året. Påfør oftere hvis styrehjulene utsettes for ekstreme, fuktige forhold.

## 8.6 Justere sokkelen



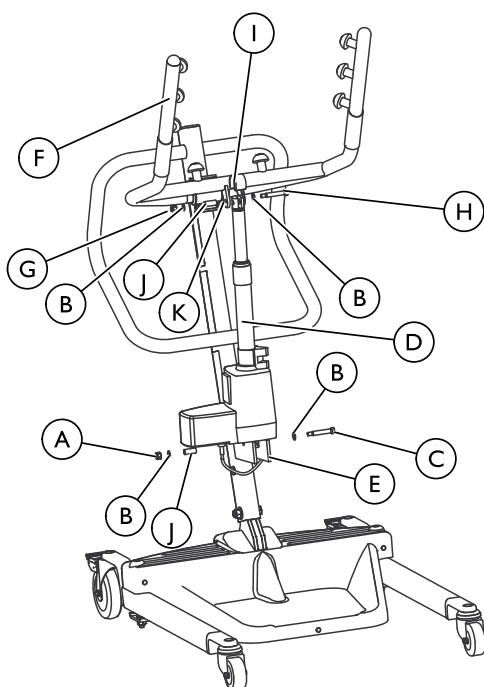
Justeringen av sokkelen (A) skal ikke kreve annet vedlikehold enn at du justerer leddstengene.

**!** Det kan oppstå skade på løfteren.  
– Føttene må være i helt lukket stilling før du justerer leddstengene.

1. Lukk føttene helt. Se 4.2.1 Lukke/åpne føttene manuelt, side 161
2. Kontroller vinkelen til føttene (B) når de er i lukket stilling.
3. Plasser kvadratet (C) på innsiden av føttene og sokkelen for å sjekke at vinkelen er 90° (D).
4. Juster leddstengene (E) inntil vinkelen er 90°.

**!** Det kan oppstå skade på løfteren.  
– JUSTER IKKE leddstengene slik at føttene har en vinkel som er mindre enn 90°.

## 8.7 Bytte ut den elektriske løftmotoren



(A) Bunnmutter	(G) Toppmutter
(B) Underlagsskive	(H) Bolt
(C) Skulderbolt	(I) Brakett
(D) Elektrisk løftmotor	(J) Fôring
(E) Festebrakett på mast	(K) Festebrakett på løftearm
(F) Løftearm	

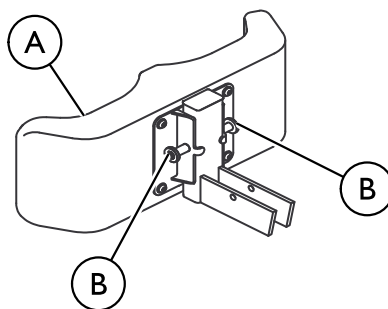


### ADVARSEL!

– IKKE stram skruene for hardt. Det vil skade festebrakettene.

1. Fjern mutteren, underlagsskivene, skulderbolten og fôringen som fester bunnen av den elektriske løftmotoren til mastens festebrakett.
2. Hvil løftearmen på skulderen, og fjern toppmutteren, bolten, braketten, fôringen (hvis aktuelt) og underlagsskivene fra løftearmens festebrakett.
3. Fjern den elektriske løftmotoren.
4. Utfør TRINNENE 1–3 i omvendt rekkefølge for å montere den nye elektriske løftmotoren.

## 8.8 Justere kneputehøyden



(A) Knepute	(B) Justeringsbolter
-------------	----------------------



### ADVARSEL!

– Juster ALDRI kneputen mens pasienten er i stående stilling.  
– Prøv ALDRI å justere kneputen mens løfteren beveger seg.  
– Forsikre deg ALLTID om at justeringsboltene sitter i de korresponderende høydejusteringshullene før bruk.

1. Velg en høydeinnstilling som vil være behagelig for pasienten og gi den nødvendige støtten.
  - i Kneputen skal plasseres slik at kneområdet av benet er i kontakt med puten.
2. Bruk begge hendene og trekk justeringsboltene ut samtidig.
3. Plasser kneputen i ønsket høyde, og fest justeringsboltene i de korresponderende justeringshullene.
4. Kontroller at begge boltene er i inngrep.

## 9 Tekniske Data

### 9.1 Personløfter RPS3501E og RPS3501FR

Høyde ved løfteseilfeste – MAKS.	168 cm
Høyde ved løfteseilfeste – MIN.	102 cm
Sokkelbredde (åpen)	94 cm
Sokkelbredde (lukket)	66 cm
Sokkelhøyde (klaring)	11,5 cm
Sokkellengde	90 cm
Total høyde	125 cm
Total lengde	99 cm
Total bredde	65,5 cm
Styrehjulstørrelse (FREMRE/BAKRE)	8 cm / 13 cm
Løfteseilalternativer	Oppreisning eller forflytning
Løfteseilmateriale	Polyester
Maksimumsvekt (SWL) (pasient + løfteseil)	159 kg (25 stone)
Total vekt (vekt uten emballasje)	49 kg (8 stone)
Batteri (utgangsspenning)	24 V DC mb, maks. 240 VA (RCHBL)
Inngangsspenning lader (spenningskilde)	100–240 V AC ~ 50/60 Hz
Utgangsspenning lader / ladetid	29,5 V DC, 2,9 Ah, maks. 6 timer
Hørbar/synlig alarm ved lav batterispenning	Ja

Motor-sikkerhetsutstyr	Antiblokkering
*ca. Løft per lading (arbeidsevne)	*100–200 sykluser per lading
Maks inngangsstrøm	Maks 400 mA
Driftstemperatur	5 °C til 40 °C
Luftfuktighet	20 % til 90 % ved 30 °C – ikke-kondenserende
Lydstyrke	< 50 dB
Atmosfærisk trykk	700 til 1060 hPa
Oppbevarings-temperatur	over 0 °C
Luftfuktighet, oppbevaring	lavere enn 60 %
Atmosfærisk trykk, oppbevaring	700 hPa til 1060 hPa
Beskyttelsesgrad, kontrollenhet	IPX4
Beskyttelsesgrad, håndkontroll	IPX4
Beskyttelsesgrad, motor	IPX4
Isolasjonsklasse	Klasse II-utstyr, type B-kontakt del
Intermitterende	10 %, maks. 2 minutter/18 minutter
Batterikapasitet	2,9 Ah
Manuell nødsenking	Ja
Elektrisk nødsenking/nødløfting	Ja/ja
Forventet levetid	8 år
Løftehastighet	Løfteren tilfredsstillende kravene til "hastighet ved løfting og senking" i ENISO10535 (<0,15 m/s ved maksimumsbelastning og <0,25 m/s ubelastet)



\*Varierer avhengig av belastning og arbeidsmengde.



# Índice

Este manual TEM de ser fornecido ao utilizador do produto. ANTES de utilizar este produto, leia este manual e guarde-o para futuras consultas.

<b>1 Geral</b>	<b>176</b>
1.1 Introdução	176
1.2 Símbolos	176
1.3 Utilização prevista	176
1.3.1 Contraindicações	177
1.4 Artigos incluídos	177
1.5 Vida útil	177
1.5.1 Informações adicionais	177
1.6 Informações da garantia	177
1.7 Conformidade	177
1.7.1 Normas específicas do produto	177
<b>2 Segurança</b>	<b>178</b>
2.1 Diretrizes globais	178
2.2 Informações sobre o funcionamento	178
2.2.1 Geral	178
2.2.2 Posicionamento	179
2.2.3 Eliminação	179
2.3 Interferência de radiofrequência	179
2.4 Rotulagem do produto	179
<b>3 Configuração</b>	<b>180</b>
3.1 Montagem segura	180
3.2 Montar o mastro na base	180
3.3 Preparar o elevador para utilização	180
3.4 Instalar o manipulador de deslocação	180
3.5 Colocar o suporte de montagem do carregador de bateria na parede	180
<b>4 Utilização</b>	<b>182</b>
4.1 Introdução	182
4.2 Fechar/Abrir as pernas do elevador	182
4.2.1 Fechar/Abrir as pernas manualmente	182
4.3 Travar/destravar os rodízios traseiros	182
4.4 Elevar/baixar o elevador	182
4.4.1 Levantar/Baixar o elevador elétrico	182
4.5 Ativar uma libertação de emergência mecânica	183
4.5.1 Libertação de emergência principal	183
4.5.2 Libertação de emergência secundária	183
4.6 Realizar uma paragem de emergência	183
4.7 Carregar a bateria	183
4.7.1 Indicador da bateria	183
4.7.2 Utilizar um cabo de alimentação para carregar a bateria	184
4.7.3 Utilizar o carregador de baterias para carregar a bateria	184
<b>5 Elevar o paciente</b>	<b>185</b>
5.1 Elevação segura	185
5.2 Posicionar o elevador de transferência	186
5.3 Elevar o paciente	186
5.4 Mover o paciente	188
<b>6 Transferir o paciente</b>	<b>189</b>
6.1 Transferência segura	189
6.2 Transferir para uma cadeira sanitária	189
6.3 Transferir para uma cadeira de rodas	190
6.4 Transferir para uma cama	190
<b>7 Resolução de problemas</b>	<b>192</b>
7.1 Índice de resolução de problemas	192
<b>8 Manutenção</b>	<b>193</b>
8.1 Lista de verificação de manutenção e inspeção de segurança	193
8.2 Limpar a cesta e o elevador	193
8.3 Reutilização	194
8.4 Detetar sinais de danos e desgaste	194
8.5 Lubrificar o elevador	194
8.6 Ajustar a base	194
8.7 Substituir o acionador elétrico	195

8.8 Ajustar a altura da almofada do joelho	195
--	-----

## 9 Características Técnicas

9.1 Elevador de transferência posição vertical RPS3501E e RPS3501FR	196
---	-----

# 1 Geral

## 1.1 Introdução

Este manual de utilização contém informações importantes sobre o manuseamento do produto. Para garantir a segurança durante a utilização do produto, leia atentamente o manual de utilização e siga as instruções de segurança.

Tenha em atenção que este manual de utilização pode conter secções não aplicáveis ao seu produto, uma vez que se refere a todos os modelos disponíveis (à data da impressão). Salvo menção em contrário, cada secção deste manual refere-se a todos os modelos do produto.

Os modelos e configurações disponíveis no seu país podem ser encontrados em catálogos de preços específicos do país.

A Invacare reserva-se o direito de alterar as especificações do produto sem aviso prévio.

Antes de ler este manual, certifique-se de que tem a versão mais recente. A versão mais recente está disponível no site da Invacare, em formato PDF.

Se o tamanho do tipo de letra na versão impressa do manual de utilização for difícil de ler, pode transferir uma versão em PDF do manual a partir do site. A imagem do PDF pode ser ajustada no ecrã para um tamanho de tipo de letra que lhe seja mais cómodo.

Para obter mais informações sobre o produto, por exemplo, avisos de segurança de produtos e retiradas de produtos do mercado, contacte o seu representante da Invacare. Consulte os endereços no final deste documento.

## 1.2 Símbolos

Este manual inclui palavras de sinalização que se aplicam a riscos ou práticas perigosas que possam resultar em lesões pessoais ou danos à propriedade. Consulte as informações abaixo para obter as definições das palavras de sinalização.



### ADVERTÊNCIA!

– Advertência indica uma situação potencialmente perigosa que, se não for evitada, poderá resultar em morte ou em lesões graves.



### ATENÇÃO!

– Precaução indica uma situação potencialmente perigosa que, se não for evitada, pode resultar em danos materiais, lesões ligeiras ou ambos.



### IMPORTANTE

– Indica uma situação perigosa que, se não for evitada, poderá resultar em danos à propriedade.



Fornecer sugestões, recomendações e informações úteis para uma utilização eficiente e sem problemas.



Data de fabrico.



Este produto está em conformidade com a Diretiva 93/42/CEE sobre dispositivos médicos.

A data de lançamento deste produto é indicada na declaração de conformidade CE.



Ler o manual



Sinal sonoro quando a bateria está fraca. Consulte a secção *Carregar a bateria*.



Travagem dos rodízios.



Abrir/fechar as pernas



Levantar/baixar os braços de elevação



Paragem de emergência



Carga funcional de segurança



Equipamento duplamente isolado e de Classe II



Peça aplicada de tipo B



Recicle este produto. Consulte 2.2.3 *Eliminação, página 179*

## 1.3 Utilização prevista



### ADVERTÊNCIA!

#### Risco de queda

O elevador de transferência posição vertical da Invacare NÃO é um dispositivo de transporte. Destina-se à transferência de um indivíduo de uma superfície de assento para outra (tal como de uma cama para uma cadeira de rodas). As cestas e os acessórios do elevador de transferência são especificamente concebidos para serem utilizados em conjunto com elevadores de transferência da Invacare.

Para evitar lesões ou quedas:

- os pacientes que forem transferidos ou posicionados com a cesta de posição vertical DEVEM ser cooperantes, coerentes e ter controlo da cabeça e do pescoço. Caso contrário, poderão ocorrer lesões.
- Os pacientes que forem transferidos ou posicionados coma cesta de posição vertical DEVEM conseguir suportar a maior parte do seu próprio peso. Caso contrário, podem ocorrer lesões ou danos. Para obter mais informações, consulte o manual de utilização da cesta.

Elevadores de transferência posição vertical os elevadores são dispositivos de transferência alimentados a bateria,



concebidos para serem utilizados na maioria das situações de elevação, por exemplo:

- Entre a cama e uma cadeira de rodas
- Para e da sanita

O elevador de transferência posição vertical destina-se apenas a levantar pacientes até ao limite máximo de peso indicado nos dados técnicos.

Este produto destina-se apenas a utilização em espaços interiores.

A seleção das cestas e dos acessórios adequados para cada indivíduo é importante para assegurar a segurança durante a utilização do elevador do paciente. Consulte os manuais de utilização das cestas e dos acessórios da Invacare para obter informações adicionais sobre estes dispositivos.

A Invacare recomenda que o paciente seja transferido para uma cadeira de chuveiro ou outro dispositivo para banho.

O elevador de transferência posição vertical pode ser girado (rodado) quando em posição para transferências em superfícies de espaço limitado.

### 1.3.1 Contraindicações

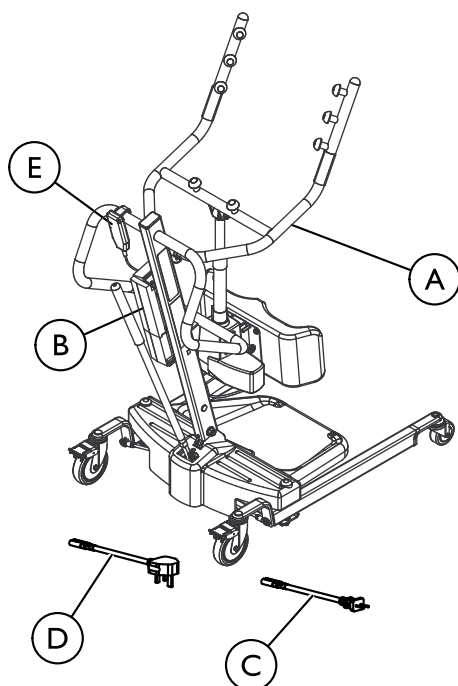
O elevador de transferência posição vertical é contraindicado para pacientes que:

- não sejam cooperantes
- não sejam coerentes
- não tenham controlo da cabeça e do pescoço

Algumas cestas concebidas para o elevador de transferência posição vertical são contraindicadas para pacientes que não conseguem suportar a maior parte do seu próprio peso. Para obter mais informações, consulte o manual de utilização da cesta.

## 1.4 Artigos incluídos

Os artigos listados nas tabelas estão incluídos na embalagem. As cestas são vendidas em separado. O carregador de parede pode ser vendido em separado.



Artigo	Descrição	Quantidade
A	Elevador	1
B	Bateria	1
C	Cabo de carregamento, UE	1
D	Cabo de carregamento, Reino Unido (RPS350–1E apenas)	1
E	Comando	1
F	Manual de Utilização do elevador (não ilustrado)	1

## 1.5 Vida útil

A vida útil prevista deste produto é de oito anos, quando o mesmo é utilizado diariamente e em conformidade com as instruções de segurança, intervalos de manutenção e utilização correcta indicados neste manual. A vida útil efectiva pode variar de acordo com a frequência e intensidade de utilização.

### 1.5.1 Informações adicionais

A vida útil esperada baseia-se numa média estimada de 4 ciclos de elevação por dia.

## 1.6 Informações da garantia

Facultamos uma garantia de fabrico para o produto, em conformidade com os nossos Termos e Condições Gerais de Compra nos respetivos países.

As reclamações de garantia só podem ser realizadas através do fornecedor ao qual o produto foi adquirido.

## 1.7 Conformidade

A qualidade é fundamental para o funcionamento da empresa, estando em conformidade com a norma ISO 13485.

Este produto apresenta a marca CE, em conformidade com a Diretiva dos Dispositivos Médicos 93/42/CEE de Classe 1.

Temos empreendido um esforço contínuo para reduzir ao mínimo o impacto local e global da empresa no ambiente.

Apenas utilizamos materiais e componentes que cumprem a diretiva REACH.

Cumprimos as legislações vigentes em matéria ambiental, nomeadamente, as diretivas REEE e RoHS.

### 1.7.1 Normas específicas do produto

O produto foi testado e está em conformidade com a norma ISO 10535 (Dispositivos de levantamento para a transferência de pessoas deficientes) e com todas as normas relacionadas.

Para obter informações adicionais sobre as normas e os regulamentos locais, contacte o representante local da Invacare. Consulte os endereços no final deste documento.

## 2 Segurança

### 2.1 Diretrizes globais



#### ADVERTÊNCIA!

- NÃO utilize este produto ou qualquer equipamento opcional disponível sem primeiro ler e compreender estas instruções e todo o material de instrução adicional, assim como os manuais de utilização, os manuais de assistência ou os folhetos informativos fornecidos com este produto ou com o equipamento opcional. Se não compreender as advertências, avisos ou instruções, contacte um profissional de cuidados de saúde, o fornecedor ou a equipa técnica antes de tentar utilizar este equipamento – caso contrário, podem ocorrer lesões ou danos.

#### ADVERTÊNCIA QUANTO AOS ACESSÓRIOS

Os produtos da Invacare foram especificamente concebidos e fabricados para serem utilizados em conjunto com acessórios Invacare.

Os acessórios concebidos por outros fabricantes não foram testados pela Invacare e não são recomendados para utilização com produtos Invacare. Em alguns casos, é possível utilizar as cestas de outros fabricantes.

- Contacte o departamento de vendas local da Invacare para obter mais informações sobre acessórios.



#### NOTA

- As informações neste documento podem ser alteradas sem aviso prévio.

Verifique todas as peças antes da utilização para verificar se ocorreram danos no transporte. Em caso de danos, NÃO utilize o equipamento. Contacte o fornecedor ou representante da Invacare para obter instruções adicionais.

### 2.2 Informações sobre o funcionamento

Esta secção do manual contém informações de segurança gerais sobre o produto. Para obter informações de segurança específicas, consulte a secção adequada do manual e os procedimentos incluídos nessa secção. Por exemplo, para obter informações de segurança relacionadas com a montagem do elevador, consulte a secção 3 *Configuração*, página 180

#### 2.2.1 Geral



#### ADVERTÊNCIA!

##### Risco de queda

NÃO tente qualquer transferência sem a aprovação do médico responsável, enfermeiro ou médico assistente. Leia atentamente as instruções deste manual de utilização, observe uma equipa treinada de especialistas a realizar os procedimentos de elevação e, em seguida, realize o procedimento de elevação várias vezes com a devida supervisão e um indivíduo no papel de paciente.

- Utilize o senso comum ao utilizar qualquer elevador. DEVEM SER tomadas precauções especiais com pessoas com incapacidades que não podem cooperar ao serem levantadas.
- Utilize sempre o manípulo de orientação no mastro para empurrar ou puxar o elevador do transferência.
- Certifique-se de que verifica as ligações da cesta sempre que remover e substituir a cesta, para assegurar que esta está corretamente ligada antes de o paciente ser removido de um objeto estacionário (cama, cadeira ou cadeira sanitária).



#### ADVERTÊNCIA!

##### Risco de lesões ou danos

Algumas superfícies podem fazer com que o elevador fique instável e provoque lesões ou danos.

O elevador pode ser utilizado no chuveiro ou na zona de banho. Contudo, a humidade em excesso danifica o elevador e pode causar lesões.

- Evite utilizar o elevador num declive. A Invacare recomenda que o elevador seja apenas utilizado numa superfície plana.
- NÃO passe a base dos rodízios sobre superfícies irregulares que possam causar a queda do elevador de transferência.
- NÃO utilize o elevador de transferência no chuveiro, na banheira ou em qualquer ambiente com humidade prolongada.
- Assegure-se de que o elevador de transferência é limpo de quaisquer humidades após a utilização.
- NÃO guarde o elevador numa área húmida ou numa condição húmida. Para obter informações sobre os níveis de temperatura, de humidade e de pressão de armazenamento, consulte a secção 7.1 *Índice de resolução de problemas*, página 192
- Verifique periodicamente se todos os componentes do elevador de transferência apresentam sinais de corrosão. Substitua todas as peças corroídas ou danificadas.

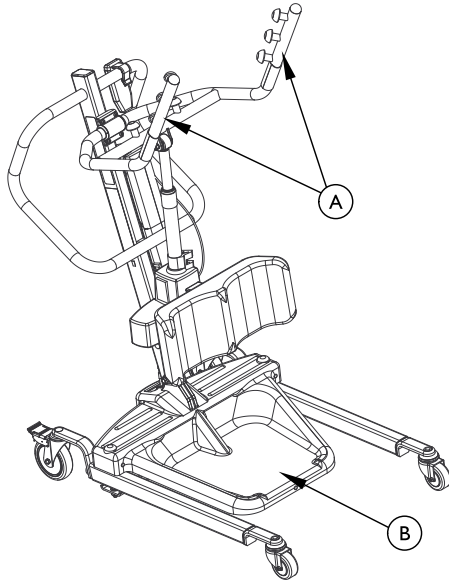
### 2.2.2 Posicionamento



**ADVERTÊNCIA!**

**Risco de lesões**

- Tenha SEMPRE cuidado com os braços de elevação. Podem ocorrer lesões no paciente e/ou no assistente.
- Tenha SEMPRE cuidado com o apoio de pés, especialmente com a posição do paciente no apoio de pés. Podem ocorrer lesões no paciente e/ou no assistente.



- A** = Braços de elevação
- B** = Placa do pé

### 2.2.3 Eliminação



**ADVERTÊNCIA!**

**Perigo ambiental**

- Este produto foi produzido por um fabricante ambientalmente responsável, em conformidade com a diretiva relativa a resíduos de equipamento elétrico e eletrónico 2012/19/UE (REEE). O dispositivo contém baterias de chumbo-ácido. Este produto pode conter substâncias passíveis de danificar o ambiente, se for eliminado em locais (aterros) que não estão em conformidade com a legislação.
- NÃO elimine as baterias juntamente com o lixo doméstico comum. DEVE entregá-las a uma instalação de eliminação adequada. Para obter informações, contacte a sua empresa de gestão de resíduos local.
  - Seja ambientalmente responsável e recicle este produto no fim da respetiva vida útil numa unidade de reciclagem.

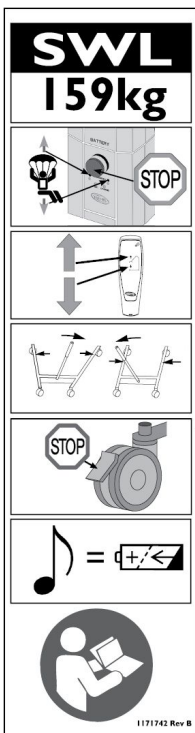
### 2.3 Interferência de radiofrequência



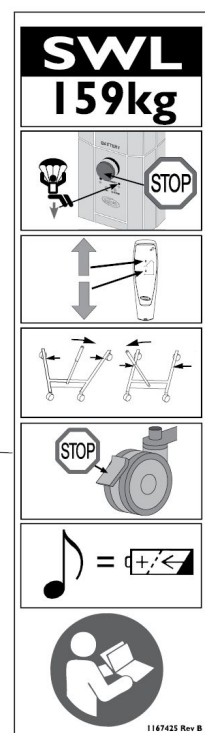
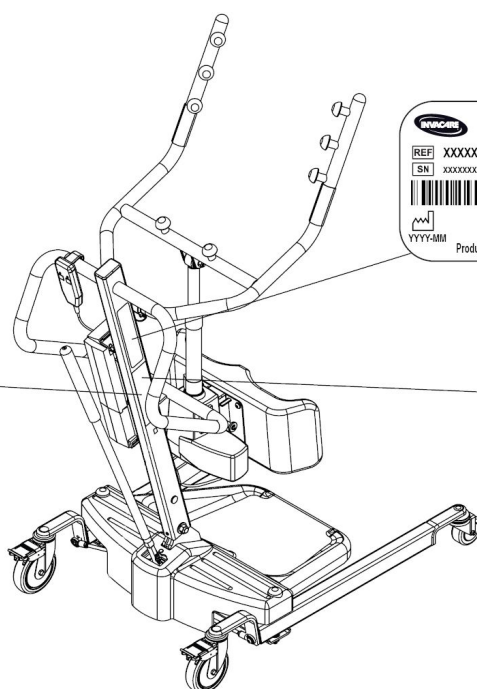
**ADVERTÊNCIA!**

- A maioria do equipamento electrónico é influenciada por interferência de radiofrequência (RFI). Devem ser tomadas as devidas PRECAUÇÕES relativamente à utilização do equipamento de comunicações portátil na área em redor do equipamento referido. Se a RFI provocar um comportamento irregular, PRIMA IMEDIATAMENTE o interruptor de alimentação vermelho. NÃO LIGUE o interruptor de alimentação enquanto houver transmissão em curso.

### 2.4 Rotulagem do produto



RPS350-IFR



RPS350-IE

## 3 Configuração

### 3.1 Montagem segura



#### ADVERTÊNCIA! Risco de lesões

A montagem incorreta deste produto pode causar lesões ou danos.

- A montagem DEVE ser realizada apenas por pessoal qualificado.
- Utilize apenas peças da Invacare na montagem deste elevador de transferência. Os componentes do elevador são fabricados de acordo com especificações que asseguram o alinhamento correto de todas as peças para um funcionamento seguro.
- NÃO aperte excessivamente as ferragens de fixação. Se o fizer, irá danificar o suporte de montagem.



Não são necessárias ferramentas para montar o elevador de transferência.

Se surgir algum problema ou questão durante a montagem, contacte um representante local da Invacare. Consulte as informações de contacto no verso deste manual.

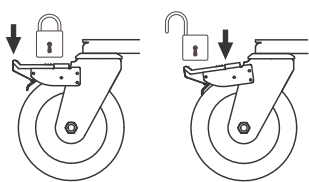
### 3.2 Montar o mastro na base



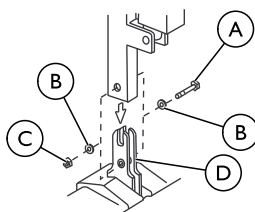
#### ADVERTÊNCIA!

- Utilize apenas peças da Invacare na montagem deste elevador de transferência. As pernas da base, o mastro, a viga, a unidade da bomba e a barra de oscilação são fabricados de acordo com especificações que asseguram o alinhamento correto de todas as peças para um funcionamento seguro.

DETALHE A



DETALHE B



Ⓐ Parafuso hexagonal

Ⓒ Porca

Ⓑ Anilha

Ⓓ Suporte de montagem



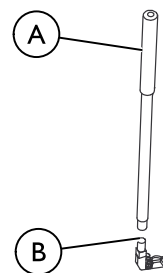
A unidade do mastro pode ser retirada da base para armazenamento ou transporte. A unidade do mastro DEVE ser fixada adequadamente à unidade da base antes da utilização.

1. Coloque a base no chão.
  - Certifique-se de que os quatro rodízios estão em contacto com o chão.
2. Trave os rodízios traseiros. Consulte o Detalhe A.
3. Retire o parafuso hexagonal, as anilhas e a porca que se localizam no recorte da base em forma de U. Consulte o Detalhe B.
4. Levante o mastro até ficar numa posição vertical.
5. Desça o mastro sobre o suporte de montagem.
6. Prenda o mastro à base com o parafuso hexagonal, as anilhas e a porca. Aperte até estar bem fixo.

### 3.3 Preparar o elevador para utilização

Verifique e aperte todas as ferragens ANTES da utilização.

### 3.4 Instalar o manípulo de deslocação

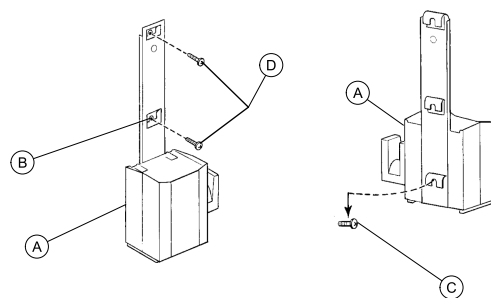


Ⓐ Manípulo de deslocação

Ⓑ Adaptador masculino na base

1. Retire o manípulo de deslocação da embalagem de cartão.
2. Coloque o manípulo de deslocação no adaptador masculino na base.


### 3.5 Colocar o suporte de montagem do carregador de bateria na parede



Consulte a regulamentação local sobre os procedimentos de montagem apropriados.

Este procedimento só se aplica aos modelos RPS350–1E.


1. Coloque o carregador de bateria com o suporte de montagem Ⓐ na parede na posição desejada.
2. Com um lápis, assinale a posição média do orifício Ⓑ.
3. Meça 16,5 cm (6½ polegadas) para baixo desde a marca a lápis e perfure um orifício de montagem.
4. Instale o parafuso de montagem de baixo Ⓒ até haver uma distância aproximada de 3 mm (1/8 de polegada) entre a cabeça do parafuso e a parede.
5. Coloque o carregador de bateria com o suporte de montagem no parafuso de montagem de baixo.

6. Perfure os restantes dois orifícios de montagem.
7. Coloque os dois parafusos de montagem restantes ⑤ no suporte de montagem e na parede. Aperte até estar bem fixo.
8. Ligue o carregador de bateria à tomada elétrica.  
 O LED ON (LIGADO) deve iluminar-se.

## 4 Utilização

### 4.1 Introdução

Os procedimentos de utilização do elevador de transferência são fáceis e seguros.

 Antes de utilizar o elevador com um paciente, consulte os seguintes procedimentos para obter instruções e informações de segurança:

- 2.2 *Informações sobre o funcionamento, página 178*
- *Elevar o paciente*

### 4.2 Fechar/Abrir as pernas do elevador



#### ADVERTÊNCIA!


#### Risco de lesões

O elevador pode tombar e colocar o paciente e os assistentes em perigo.

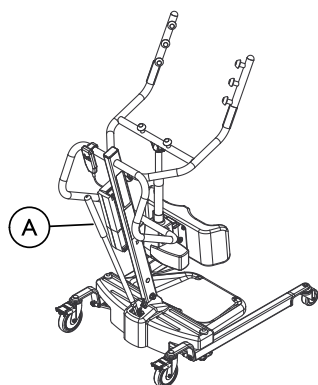
– As pernas do elevador devem estar na posição mais aberta para garantir a máxima estabilidade e segurança. Se for necessário fechar as pernas do elevador para o manobrar debaixo de uma cama, feche as pernas do elevador apenas durante o tempo necessário para posicionar o elevador sobre o paciente e elevar o paciente para fora da superfície da cama. Quando as pernas do elevador já não estiverem debaixo da cama, volte a colocar as pernas do elevador na posição mais aberta.

#### 4.2.1 Fechar/Abrir as pernas manualmente


O manípulo de deslocação é utilizado para abrir ou fechar as pernas da base para conseguir estabilidade ao elevar o paciente.

 Consulte as informações de segurança na secção 4.2 *Fechar/Abrir as pernas do elevador, página 182* antes de efetuar este procedimento.


Ⓐ = Manípulo de deslocação



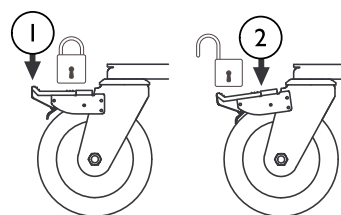
1. Para fechar as pernas:  
Puxe o manípulo de deslocação PARA FORA e afaste-o do elevador vertical e, em seguida, direcione-o para a sua ESQUERDA até BLOQUEAR na ranhura do suporte.

 A esquerda é definida a partir da traseira do elevador vertical em direção aos rodízios frontais.

2. Para abrir as pernas:  
Puxe o manípulo de deslocação PARA FORA e afaste-o do elevador vertical e, em seguida, direcione-o para a sua DIREITA até BLOQUEAR na ranhura do suporte.

 A direita é definida a partir da traseira do elevador vertical em direção aos rodízios frontais.

### 4.3 Travar/destravar os rodízios traseiros



1. Pise aqui para travar
2. Pise aqui para destravar

### 4.4 Elevar/baixar o elevador




#### ADVERTÊNCIA!

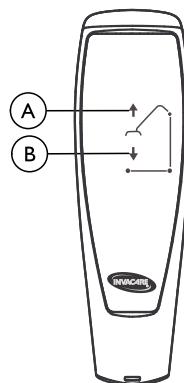
#### Risco de lesões

O elevador pode tombar e colocar o paciente e os assistentes em perigo.

– A Invacare recomenda que os rodízios traseiros permaneçam desbloqueados durante os procedimentos de elevação, para permitir que o elevador de transferência estabilize quando o paciente for elevado inicialmente a partir de uma cadeira, cama ou qualquer objeto estacionário.

#### 4.4.1 Levantar/Baixar o elevador elétrico

 Consulte as informações de segurança na secção 4.4 *Elevar/baixar o elevador, página 182* antes de efetuar este procedimento.



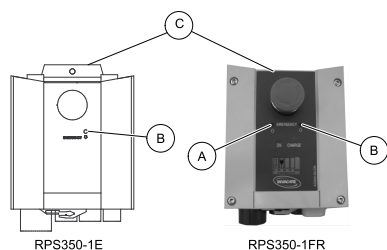
1. Para levantar o elevador — mantenha premido o botão UP (PARA CIMA) Ⓐ para elevar a viga e o paciente.
2. Para baixar o elevador — mantenha premido o botão DOWN (PARA BAIXO) Ⓑ para baixar a viga e o paciente.

 Solte o botão para levantar ou baixar o elevador.

## 4.5 Ativar uma libertação de emergência mecânica

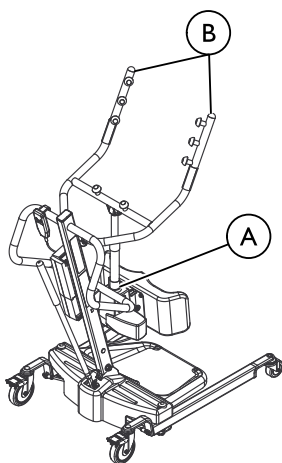
Existem dois tipos de libertação de emergência mecânica — principal e secundário.

### 4.5.1 Libertação de emergência principal



1. Insira uma caneta no orifício da etiqueta de Subida de emergência (A) ou Descida de emergência (B) na caixa de comando (C).

### 4.5.2 Libertação de emergência secundária



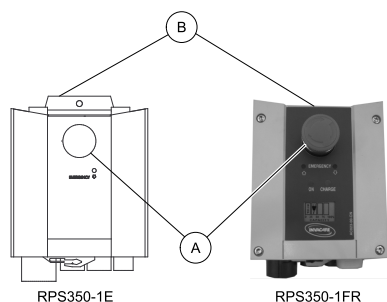
(A) Pega de emergência VERMELHA	(B) Braços de elevação
---------------------------------	------------------------

**i** Recomendamos que seja utilizada a libertação de emergência principal. A libertação de emergência secundária existe como alternativa à libertação de emergência principal.

Em situações onde a libertação principal não esteja a funcionar ou não seja possível de alcançar, pode ser utilizada uma libertação de emergência secundária.

1. Puxe a pega de EMERGÊNCIA para cima (A) e, simultaneamente, pressione os braços de elevação para baixo (B).

## 4.6 Realizar uma paragem de emergência



1. Prima o botão VERMELHO (A) na caixa de comando (B) para parar a viga e o paciente de subirem ou descerem.
2. Para repor, rode o botão de emergência no sentido dos ponteiros do relógio.

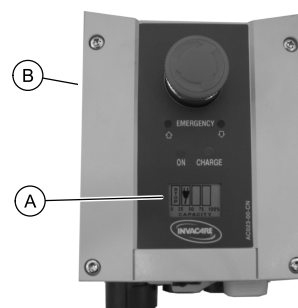
## 4.7 Carregar a bateria

**i** A Invacare recomenda que a bateria seja carregada diariamente para prolongar o período de vida útil da bateria.

Existem dois métodos diferentes para carregar a bateria. Um método utiliza um cabo de alimentação conectado à caixa de comando, o outro método requer que a bateria seja conectada ao carregador de bateria. Siga o procedimento adequado para carregar a bateria do elevador de transferência.

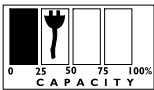
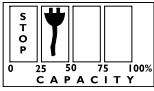
### 4.7.1 Indicador da bateria

**i** Este procedimento só se aplica aos modelos RPS350-1FR.




O indicador da bateria (A) está localizado na caixa de comando (B). Os LED indicam o estado da bateria:

Indicador da bateria na caixa de comando (A)	Estado da bateria	Descrição
	Carga completa 100 %	A bateria está OK — não é necessário carregar (100 %).
	Carga a 75 %	A bateria está OK — não é necessário carregar (75 %).
	Carga a 50 %	A bateria necessita de ser carregada (50 %).

Indicador da bateria na caixa de comando <b>A</b>	Estado da bateria	Descrição
	Carga baixa 25 %	A bateria necessita de ser carregada (25 %). Ouve-se uma buzina quando um botão é premido.
	Carga baixa (0 %)	A bateria necessita de ser carregada. Algumas das funcionalidades do elevador não estão disponíveis e é apenas possível baixar a viga.  Ouve-se um sinal sonoro (buzina com bip) quando a bateria está fraca. Se o sinal sonoro soar durante uma transferência, conclua a transferência e depois carregue a bateria.

#### 4.7.2 Utilizar um cabo de alimentação para carregar a bateria



 Este procedimento só se aplica ao RPS350-1FR.

**A** = Conexão do cabo de alimentação



#### ATENÇÃO!

– A paragem de emergência **NÃO DEVE** ser ativada, uma vez que tal impossibilita o carregamento da bateria. Enquanto decorre o carregamento, o elevador de transferência não pode ser utilizado. **NÃO** tente mover o elevador de transferência sem desligar o cabo de alimentação da tomada. **NÃO** tente utilizar o elevador de transferência se o alojamento da bateria estiver danificado. Substitua o alojamento da bateria danificado antes de qualquer utilização posterior.

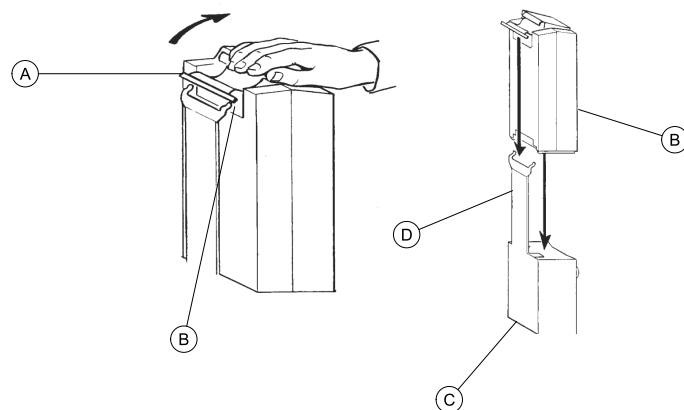
1. Ligue o cabo de alimentação à caixa de comando.
2. Ligue o cabo de alimentação a uma tomada de parede.



A bateria leva cerca de 4 horas a carregar. O carregamento deve ser realizado numa sala bem ventilada.

3. Desligue o cabo de alimentação da tomada depois de a bateria estar completamente carregada.

#### 4.7.3 Utilizar o carregador de baterias para carregar a bateria



Este procedimento só se aplica ao RPS350-1E.

1. Levante o manípulo **A** na parte detrás da bateria **B**.
2. Levante a bateria e afaste-a da caixa de comando **C**.



#### ATENÇÃO!

A montagem incorrecta da bateria pode causar lesões ou danos.

– Certifique-se de que ouve um clique quando montar a bateria no carregador de bateria para confirmar a montagem adequada.

3. Coloque a bateria no carregador da bateria **D** como é apresentado. Certifique-se de que ouve um clique sonoro.



O LED de carga ilumina-se. Quando o carregamento estiver concluído, o LED de carga desliga-se.

Uma bateria necessita de aproximadamente quatro horas para recarregar totalmente.

4. Levante o manípulo na parte de trás da bateria.
5. Levante a bateria e afaste-a do carregador da bateria.



#### ATENÇÃO!

A montagem incorrecta da bateria pode causar lesões ou danos.

– Certifique-se de que ouve um clique sonoro quando montar a bateria na caixa de comando para confirmar a montagem adequada.

6. Reinstale a bateria na caixa de comando tal como é apresentado. Certifique-se de que ouve um clique sonoro.



A bateria é instalada na caixa de comando e no carregador da bateria como é apresentado.



## 5 Elevar o paciente

### 5.1 Elevação segura



#### ADVERTÊNCIA!

- NÃO exceda a limitação de peso máximo (SWL) de 159 kg.
- NÃO tente qualquer transferência sem a aprovação de um profissional de cuidados de saúde.
- Afaste SEMPRE as mãos e os dedos das peças em movimento para evitar lesões.
- Durante a transferência, com o paciente suspenso na cesta, NÃO passe a base do elevador sobre quaisquer superfícies irregulares que possam fazer com que o elevador fique instável.
- Utilize sempre o manípulo de orientação na unidade do mastro para empurrar ou puxar o auxiliar de elevação.



#### ADVERTÊNCIA!

##### Manusear o elevador e elevar o paciente

- Assegure-se de que o equipamento utilizado com o elevador de transferência posição vertical é de força apropriada para elevar a carga (por ex., a cesta). Assegure-se de que, perante uma avaria do equipamento, a pessoa a ser elevada não é exposta a qualquer perigo.
- Antes de posicionar as pernas do elevador de transferência posição vertical em torno do paciente, assegure-se de que os pés do paciente estão fora da placa de pé – caso contrário, podem ocorrer lesões.
- Devem ser realizados ajustes tendo em vista a segurança e o conforto antes de mover o paciente. Os braços do paciente devem estar fora das presilhas da cesta.



#### ADVERTÊNCIA!

##### Manusear o elevador e elevar o paciente

- Antes de elevar um paciente de um objeto estacionário (cadeira de rodas, cadeira sanitária ou cama), erga levemente o paciente do objeto estacionário e verifique se todas as fixações da cesta estão seguras. Se os encaixes não estiverem corretamente colocados, baixe o paciente e corrija este problema e, em seguida, eleve o paciente e verifique novamente.
- Durante a transferência, com o paciente suspenso numa cesta presa ao elevador, NÃO passe a base dos rodízios sobre superfícies irregulares que possam provocar desequilíbrio do elevador de transferência e causar a queda do elevador de transferência. Utilize SEMPRE o manípulo de orientação no mastro para empurrar ou puxar o elevador do transferência.
- A Invacare recomenda a travagem dos rodízios traseiros APENAS quando posicionar ou remover a cesta (posição vertical ou transferência posição vertical) à volta do paciente.
- A Invacare NÃO recomenda a travagem dos rodízios traseiros do elevador de transferência durante a elevação de um indivíduo. Fazê-lo pode levar o elevador a inclinar-se e a colocar em perigo o paciente e os assistentes. A Invacare RECOMENDA que os rodízios traseiros permaneçam destravados durante os procedimentos de elevação para permitir que o elevador de transferência estabilize quando o paciente for elevado inicialmente de uma cadeira, cama ou objeto estacionário.



#### ADVERTÊNCIA!

##### Utilizar a cesta

- Utilize a cesta recomendada por um profissional de cuidados de saúde para conforto e segurança do indivíduo que vai ser levantado.
- Os indivíduos que utilizem a cesta de posição vertical DEVEM conseguir suportar a maior parte do seu próprio peso – caso contrário, podem ocorrer lesões.
- As cestas branqueadas, rasgadas, cortadas, desfiadas ou partidas não são seguras e a sua utilização pode resultar em lesões ou danos. Elimine IMEDIATAMENTE qualquer cesta que apresente um destes critérios.
- NÃO introduza alterações nas cestas.
- Certifique-se de que verifica as ligações da cesta sempre que remover e substituir a cesta, para assegurar que esta está corretamente ligada antes de o paciente ser removido de um objeto estacionário (cama, cadeira ou cadeira sanitária).
- Se o paciente se encontrar numa cadeira de rodas, ative os travões da cadeira de rodas para evitar que a cadeira avance ou recue.
- Deve considerar a prevenção de exposição a perigos de uma pessoa que esteja a ser levantada e que essa pessoa não sofra quaisquer lesões.

**ADVERTÊNCIA!****Cesta de posição vertical**

- NÃO utilize a cesta de posição vertical em combinação com o elevador de transferência como um dispositivo de transporte. Destina-se à transferência de um indivíduo de uma superfície de repouso para outra (tal como de uma cama para uma cadeira de rodas).
- Antes de elevar o paciente, certifique-se de que a extremidade inferior da cesta de posição vertical está posicionada na parte traseira do paciente e que os braços do paciente estão fora da cesta de posição vertical. O cinto DEVE ser apertado mas confortável para o paciente. Caso contrário, o paciente pode escorregar da cesta durante a transferência, causando possíveis lesões.
- O cinto DEVE ser apertado mas confortável para o paciente. Caso contrário, o paciente pode escorregar da cesta durante a transferência, causando possíveis lesões.

**Cesta de transferência posição vertical**

- Antes de elevar o paciente, certifique-se de que a extremidade inferior da cesta de transferência posição vertical está posicionada na base da coluna e que os braços do paciente estão fora da cesta de transferência posição vertical.
- NÃO eleve o paciente para uma posição vertical enquanto utiliza a cesta de transferência posição vertical. Caso contrário, podem ocorrer lesões.



Para obter mais informações, consulte a brochura da cesta de paciente.

## 5.2 Posicionar o elevador de transferência

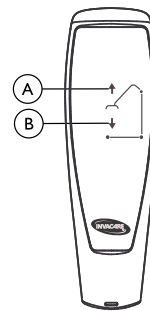


Consulte a secção sobre segurança neste manual e reveja as informações em *Elevação segura* antes de avançar, tendo em atenção todas as advertências indicadas.

Antes de colocar as pernas do elevador de transferência debaixo da cama, certifique-se de que a área está livre de obstáculos.

**ADVERTÊNCIA!****Risco de lesões**

- O elevador pode tombar e colocar o paciente e os assistentes em perigo.
- As pernas do elevador devem estar na posição mais aberta para garantir máxima estabilidade e segurança. Se for necessário fechar as pernas do elevador para o manobrar debaixo de uma cama, feche as pernas do elevador apenas durante o tempo necessário para posicionar o elevador sobre o paciente e elevar o paciente da superfície da cama. Quando as pernas do elevador já não estiverem debaixo da cama, volte a colocar as pernas do elevador na posição mais aberta.



Ⓐ Botão UP (PARA CIMA)

Ⓑ Botão DOWN (PARA BAIXO)

1. Certifique-se de que as pernas do elevador de transferência posição vertical estão na posição mais aberta. Caso não estejam, utilize o manípulo de deslocação para abrir as pernas.
2. Posicione o elevador de transferência posição vertical, utilizando o manípulo do mastro.
3. Prima o botão da seta para baixo no comando para baixar os braços de elevação para obter um encaixe fácil da cesta.

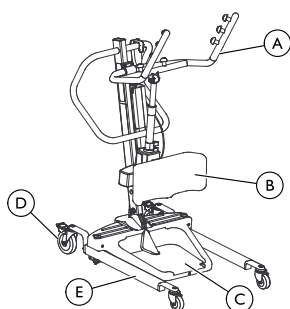
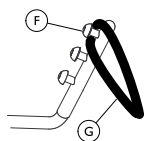
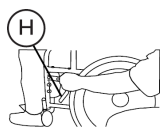
## 5.3 Elevar o paciente

**ADVERTÊNCIA!**


- NÃO exceda a limitação de peso máximo (SWL) de 159 kg.
- Os indivíduos que utilizem a cesta de posição vertical DEVEM conseguir suportar a maior parte do seu próprio peso – caso contrário, podem ocorrer lesões.
- NÃO trave os rodízios traseiros do elevador de transferência posição vertical durante a elevação de um indivíduo. A travagem dos rodízios traseiros pode levar o elevador de transferência posição vertical a inclinar-se e a colocar em perigo o paciente e os assistentes. O desbloqueio dos rodízios traseiros durante os procedimentos de elevação permite a estabilização do elevador quando o paciente é elevado inicialmente de uma cadeira de rodas, cama ou objeto estacionário.
- NÃO mova o paciente se a cesta não estiver fixa adequadamente aos pontos de fixação no elevador de transferência posição vertical.
- Certifique-se de que a cesta está adequadamente apertada ANTES de elevar o paciente. Se os encaixes não estiverem no sítio apropriado, corrija o problema. Quando a cesta estiver elevada alguns centímetros acima da superfície estacionária e antes de mover o paciente, volte a verificar se a cesta e todos os encaixes estão no lugar de forma segura. Se encontrar algum problema, baixe o paciente para a superfície estacionária e corrija o problema - caso contrário, podem ocorrer lesões ou danos.

**ADVERTÊNCIA!**

- Devem ser realizados ajustes tendo em vista a segurança e o conforto antes de mover o paciente.
- Utilize a cesta recomendada pelo médico responsável, enfermeiro ou médico assistente do indivíduo para conforto e segurança do indivíduo que vai ser levantado. As cestas de paciente Invacare foram concebidas especificamente para utilização com os elevadores de paciente Invacare. Em alguns casos, é possível utilizar as cestas de outros fabricantes em elevadores Invacare. Contacte o departamento de vendas local da Invacare para obter mais informações.

**Detalhe A — Elevador de transferência posição vertical****Detalhe B — Fixação da cesta****Detalhe C — Travões**

Ⓐ Pegas	Ⓔ Perna
Ⓑ Almofada do joelho	Ⓕ Gancho
Ⓒ Placa do pé	Ⓖ Presilha da cesta
Ⓓ Rodízio traseiro	Ⓗ Travão

 Para obter mais informações, consulte o manual de utilização da cesta de paciente.

Em primeiro lugar, o paciente DEVE estar sentado. Utilize a secção da cabeça da cama para endireitar o paciente e, em seguida, mova as pernas para o lado da cama.

1. Indique ao paciente que se segure às pegas de ambos os lados do elevador de transferência posição vertical (Detalhe A).
2. Indique ao paciente que se recoste na cesta de posição vertical ou de transferência posição vertical.

**ADVERTÊNCIA!**

- Cestas de posição vertical – antes de elevar o paciente, certifique-se de que a extremidade inferior da cesta está posicionada na zona lombar do paciente e que os braços do paciente estão fora da cesta.
- Cestas de transferência posição vertical – antes de elevar o paciente, certifique-se de que a extremidade inferior da cesta está posicionada na base da coluna e que os braços do paciente estão fora da cesta.

3. Deve assegurar que:
  - a. Os joelhos do paciente estão seguros no suporte dos joelhos.
  - b. Os pés do paciente estão posicionados adequadamente na placa de pé.
  - c. Cestas:
    - a extremidade inferior da cesta de posição vertical está posicionada na parte traseira do paciente.
    - a extremidade inferior da cesta de transferência posição vertical está posicionada na base da coluna do paciente.
    - os braços do paciente estão fora da cesta.
    - as presilhas da cesta estão totalmente presas aos ganchos dos braços de elevação (Detalhe B).
  - d. Os rodízios traseiros estão destravados.
  - e. As pernas estão na posição mais aberta.

**ADVERTÊNCIA!**

- Se transferir um paciente de uma cadeira de rodas, os travões da cadeira de rodas DEVEM estar travados antes de baixar o paciente para cima da cadeira de rodas. Caso contrário, poderão ocorrer lesões.

4. Se transferir de uma cadeira de rodas, engate os travões na cadeira de rodas (Detalhe C).
5. Prima o botão com a seta PARA CIMA no comando para levantar o paciente acima da superfície (cama, cadeira de rodas ou cadeira sanitária). O peso do paciente é totalmente suportado pelo elevador de transferência posição vertical.



O centro de gravidade inferior oferece estabilidade, fazendo com que o paciente se sinta mais seguro e facilitando o movimento do elevador.

## 5.4 Mover o paciente



### ADVERTÊNCIA!

- As pernas do elevador de transferência posição vertical DEVEM estar na posição mais aberta para garantir máxima estabilidade e segurança. Se o paciente estiver numa cesta e for necessário movê-lo através de uma passagem estreita, feche as pernas do elevador de transferência posição vertical apenas durante o período de tempo necessário para o mover através da passagem. Quando o elevador de transferência posição vertical completar a passagem, volte a colocar as pernas na posição mais aberta.
- Durante a transferência de um paciente suspenso na cesta do elevador, NÃO passe a base dos rodízios sobre superfícies irregulares que possam provocar o desequilíbrio do elevador. Tal pode fazer com que o elevador tombe. Utilize sempre o manípulo do mastro para empurrar ou puxar o elevador do paciente.

1. Certifique-se de que as pernas do elevador de transferência posição vertical estão na posição mais aberta. Caso não estejam, prima o botão OPEN LEGS (ABRIR PERNAS) no comando para mover as pernas para a posição mais aberta.
2. Mova o elevador de transferência posição vertical para longe da superfície onde foi feita a elevação.
3. Lentamente, desloque o paciente até à superfície desejada.

## 6 Transferir o paciente

### 6.1 Transferência segura



#### ADVERTÊNCIA!

- NÃO exceda a limitação de peso máximo (SWL) de 159 kg.
- NÃO tente transferir um paciente sem a aprovação de um profissional de cuidados de saúde. Leia atentamente as instruções neste manual do fabricante, observe uma equipa treinada de especialistas a realizar os procedimentos de elevação e, em seguida, realize todo o procedimento de elevação várias vezes com a devida supervisão e com um indivíduo no papel de paciente. Pode ser fornecido treino. Contacte o departamento de vendas local da Invacare para obter mais informações.
- NÃO mova o paciente se a cesta não estiver conectada adequadamente aos pontos de fixação do elevador de transferência posição vertical. Verifique se a cesta está conectada adequadamente aos pontos de fixação antes de elevar um paciente. Se os encaixes não estiverem no sítio apropriado, corrija o problema. Quando a cesta estiver elevada alguns centímetros acima da superfície estacionária e antes de mover o paciente, volte a verificar se todos os encaixes da cesta estão seguros. Se os encaixes não estiverem corretamente colocados, baixe o paciente para a superfície estacionária e corrija este problema - caso contrário, podem ocorrer lesões ou danos.
- Devem ser realizados ajustes tendo em vista a segurança e o conforto antes de mover o paciente. Os braços do paciente devem estar fora das correias.



#### ADVERTÊNCIA!

- Utilize a cesta recomendada por um profissional de cuidados de saúde para conforto e segurança do indivíduo que vai ser levantado.
- NÃO trave os rodízios traseiros do elevador de transferência posição vertical durante a elevação de um indivíduo. A travagem dos rodízios traseiros pode levar o elevador de transferência posição vertical a inclinar-se e a colocar em perigo o paciente e os assistentes.
- As pernas do elevador de transferência posição vertical DEVEM estar na posição mais aberta para garantir máxima estabilidade e segurança. Se o paciente estiver numa cesta e for necessário movê-lo através de uma passagem estreita, feche as pernas do elevador de transferência posição vertical apenas durante o período de tempo necessário para o mover através da passagem. Quando o elevador de transferência posição vertical completar a passagem, volte a colocar as pernas na posição mais aberta. Se for necessário fechar as pernas para manobrar o elevador de transferência posição vertical debaixo de uma cama, feche as pernas do elevador apenas durante o tempo necessário para posicionar o elevador de transferência posição vertical sobre o paciente e elevar o paciente da superfície da cama. Quando as pernas elevador de transferência posição vertical já não estiverem debaixo da cama, volte a colocar as pernas do elevador na posição mais aberta.
- Não se esqueça de verificar as ligações da cesta sempre que remover e substituir a cesta, para assegurar que esta está corretamente fixada antes de o paciente ser removido de uma superfície.

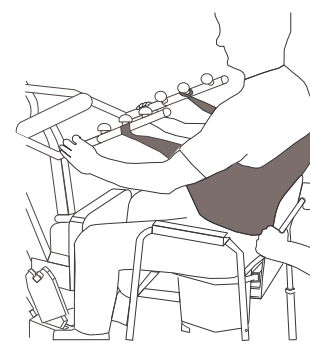
A opção de trabalhar com um só assistente depende da avaliação que o profissional de cuidados de saúde faça de cada caso individual.

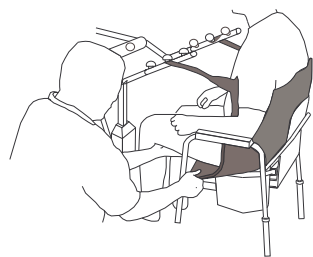
### 6.2 Transferir para uma cadeira sanitária

Detalhe A



Detalhe B



**Detalhe C****ADVERTÊNCIA!**

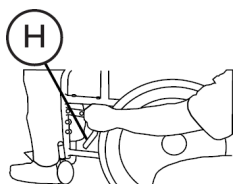
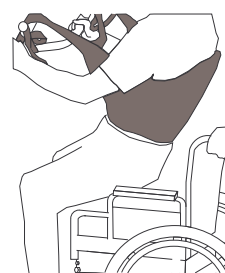
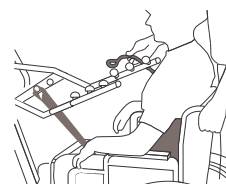
– A Invacare recomenda a travagem dos rodízios traseiros apenas quando posicionar ou remover a cesta à volta do paciente.

1. Levante o paciente do lado da cama.
2. Prima o botão UP (PARA CIMA) no comando para elevar o paciente o suficiente para libertar os braços da cadeira sanitária. O peso é suportado pelo elevador de transferência posição vertical.
3. Guie o paciente para a cadeira sanitária. Podem ser necessários dois assistentes.
4. Prima o botão da seta para baixo para baixar o paciente para a cadeira sanitária.
5. Trave os rodízios traseiros no elevador de transferência posição vertical.
6. Dependendo do tipo de cesta, siga uma das seguintes hipóteses:
  - Cesta de posição vertical – desengate a cesta de posição vertical dos pontos de fixação no elevador de transferência posição vertical.
  - Cesta de transferência posição vertical –
    - a. desengate a cesta de transferência posição vertical dos pontos de fixação inferiores no elevador de transferência posição vertical.
    - b. Eleve as pernas do paciente e retire os apoios da coxa de debaixo do paciente.
    - c. Se achar necessário, desengate a cesta de transferência posição vertical dos pontos de fixação superiores no elevador de transferência posição vertical.



O paciente pode permanecer na parte superior da cesta de transferência posição vertical utilizando a cadeira sanitária.

7. Indique ou ajude o paciente a levantar os pés da placa de pé.
8. Retire a cesta ao paciente.
9. Destrave os rodízios traseiros e afaste o elevador de transferência posição vertical da cadeira sanitária.
10. Depois de terminado este processo, volte a verificar se a cesta está corretamente ligada.

**6.3 Transferir para uma cadeira de rodas****Detalhe A****Detalhe B****Detalhe C**

Ⓜ = Travão da cadeira de rodas

1. Certifique-se de que as pernas do elevador com o paciente na cesta estão na posição aberta.
2. Movimente a cadeira de rodas até ficar em posição.
3. Engate os travões da cadeira de rodas para prevenir o movimento da cadeira (Detalhe A).

**ADVERTÊNCIA!**

– NÃO coloque o paciente na cadeira de rodas se os travões não estiverem travados. Os travões da cadeira de rodas DEVEM estar na posição travada antes de baixar o paciente para a cadeira de rodas para o transportar. Caso contrário, pode resultar em lesões.

4. Posicione o paciente sobre a cadeira de rodas (Detalhe "B").
5. Prima o botão da seta para baixo e baixe o paciente para a cadeira de rodas.

**ADVERTÊNCIA!**


– Trave os rodízios traseiros APENAS quando posicionar ou remover a cesta (de posição vertical ou de transferência posição vertical) à volta do paciente. Caso contrário, poderão ocorrer lesões.

6. Trave os rodízios traseiros.
7. Desengate a cesta de todos os pontos de fixação no elevador (Detalhe C).
8. Indique ao paciente que levante os pés da placa de pé. Se necessário, ajude o paciente.
9. Retire a cesta ao paciente.
10. Destrave os rodízios traseiros e afaste elevador de transferência posição vertical da cadeira de rodas.

**6.4 Transferir para uma cama**

O centro de gravidade inferior oferece estabilidade, fazendo com que o paciente se sinta mais seguro e facilitando o movimento do elevador.


1. Posicione o paciente o mais afastado da cama possível.

 Se o paciente estiver a ser transferido de uma superfície que é mais baixa do que a cama, prima o botão da seta para cima para elevar o paciente acima da superfície da cama. O paciente deve ser elevado a uma altura suficiente para ficar completamente fora da cama, com todo o peso suportado pelo elevador.

2. Prima o botão da seta para baixo e baixe o paciente para a cama.

**ADVERTÊNCIA!**

– A Invacare recomenda a travagem dos rodízios traseiros APENAS quando posicionar ou remover a cesta à volta do paciente.

3. Trave os rodízios traseiros.
4. Desengate a cesta de posição vertical ou de transferência posição vertical de todos os pontos de fixação no elevador de transferência posição vertical.
5. Indique ao paciente que levante os pés da placa de pé.  
 Se necessário, ajude o paciente.
6. Retire o cesta de posição vertical ou de transferência posição vertical do paciente.
7. Destrave os rodízios traseiros e afaste o elevador de transferência posição vertical da cama.

## 7 Resolução de problemas

### 7.1 Índice de resolução de problemas

SINTOMAS	FALHAS	SOLUÇÃO
Ruído ou som “seco” nos eixos.	Precisa de lubrificação.	Consulte a secção <i>Lubrificar o elevador</i> .
O acionador elétrico não realiza a elevação quando o botão é pressionado.	Ligação do comando ou do acionador solta.	Ligue o conector do comando ou acionador. Certifique-se de que os conectores estão bem encaixados e totalmente ligados.
	Bateria baixa.	Carregue as baterias. Consulte a secção <i>Carregar a bateria</i> .
	Botão de paragem de emergência VERMELHO pressionado.	Rode o botão VERMELHO de paragem de emergência NO SENTIDO DOS PONTEIROS DO RELÓGIO até sobressair.
	Bateria não ligada adequadamente à caixa de comando.	Volte a ligar a bateria à caixa de comando. Consulte a secção <i>Carregar a bateria</i> .
	Os terminais de ligação estão danificados.	Substitua o pack de baterias. Consulte a secção <i>Carregar a bateria</i> .
	O acionador elétrico precisa de reparação ou a carga é demasiado elevada.	Consulte a secção <i>8.7 Substituir o acionador elétrico, página 195</i> Contacte o seu fornecedor ou representante da Invacare.
Ruído invulgar do acionador do braço de elevação.	O acionador está desgastado ou danificado ou o eixo está dobrado.	Consulte a secção <i>8.7 Substituir o acionador elétrico, página 195</i> Contacte o seu fornecedor ou representante da Invacare.
Os braços de elevação não baixam na posição mais elevada.	Os braços de elevação requerem uma carga de peso mínima para serem descidos da posição mais elevada.	Puxe ligeiramente os braços de elevação.
As pernas não abrem ou fecham corretamente.	A base pode precisar de ser ajustada.	Consulte a secção <i>8.6 Ajustar a base, página 194</i>



Se os problemas não forem corrigidos pelos métodos sugeridos, contacte o seu fornecedor ou a Invacare.



## 8 Manutenção

### 8.1 Lista de verificação de manutenção e inspeção de segurança



#### ADVERTÊNCIA!

- A manutenção DEVE ser realizada APENAS por pessoal qualificado.
- Uma pessoa competente deve assegurar que a força e a estabilidade do produto permanecem adequadas para todas as tarefas se as partes forem substituídas.
- NÃO aperte demasiado as ferragens de fixação porque pode danificar os suportes de montagem.



Siga os procedimentos de manutenção descritos neste manual para manter o seu elevador de transferência em funcionamento contínuo.

O elevador de transferência Invacare foi concebido para proporcionar o máximo funcionamento seguro, eficiente e satisfatório com os mínimos cuidados e manutenção.

Todas as peças do elevador Invacare são fabricadas com as melhores variantes de aço, mas o contacto de metal com metal irá provocar desgaste após uma utilização considerável.

Para além da limpeza, lubrificação e verificação do aperto dos parafusos do eixo e oscilação, não existe mais nenhuma outra operação de ajuste ou manutenção dos rodízios. Retire todos os detritos ou sujidade dos rolamentos dos rodízios e oscilação. Se existirem peças desgastadas, substitua-as IMEDIATAMENTE.

Se tiver dúvidas sobre a segurança de qualquer peça do elevador, contacte o fornecedor IMEDIATAMENTE.

Para manter um bom funcionamento, é necessária uma manutenção regular dos acessórios e dos elevadores de transferência. A pessoa responsável pelo elevador de transferência tem a responsabilidade de assegurar que esta manutenção é realizada.

Após os primeiros 12 meses de utilização, verifique o desgaste de todos os centros de rotação e fechos. Se o metal acusar desgaste, DEVE proceder à substituição das peças. A partir deste momento, realize esta inspeção a cada seis meses.

Data da inspeção:	Rubrica:
<b>A BASE DOS RODÍZIOS</b> <ul style="list-style-type: none"> <li><input type="checkbox"/> Verifique se faltam ferragens.</li> <li><input type="checkbox"/> Verifique se a base abre e fecha com facilidade.</li> <li><input type="checkbox"/> Verifique se os rodízios e os parafusos do eixo estão bem apertados.</li> <li><input type="checkbox"/> Verifique se os rodízios oscilam e rodam sem problemas.</li> <li><input type="checkbox"/> Verifique se os rodízios têm detritos e limpe-os.</li> <li><input type="checkbox"/> Verifique se as articulações apresentam sinais de desgaste.</li> </ul>	

#### CESTAS E FERRAGENS

- Verifique todas as fixações da cesta sempre que esta for usada para assegurar uma ligação correta e a segurança do paciente.
- Verifique se o material da cesta apresenta sinais de desgaste.
- Verifique se as correias apresentam sinais de desgaste.
- Inspeccione as costuras.

#### A UNIDADE DO ACIONADOR ELÉTRICO

- Verifique se há fugas.
- Inspeccione as ferragens no mastro, viga e base.
- Verifique se há sinais de desgaste ou deterioração. Se encontrar danos, devolva à fábrica.
- Ligue e desligue para assegurar o bom funcionamento do acionador elétrico.

#### OS BRAÇOS DE ELEVAÇÃO E A LIGAÇÃO

- Verifique todas as ferragens e pontos de fixação.
- Verifique se há curvas ou desvios.
- Verifique se as articulações aparafusadas dos braços de elevação apresentam sinais de desgaste.
- Inspeccione para assegurar que os braços de elevação estão centrados entre as pernas da base.
- Verifique se as articulações apresentam sinais de desgaste.
- Verifique se os ganchos da cesta apresentam sinais de desgaste ou desvio.

#### O MASTRO

- O mastro deve estar montado em segurança nos braços de elevação.
- Verifique se há curvas ou desvios.
- Verifique se as articulações apresentam sinais de desgaste.

#### LIMPEZA

- Sempre que necessário.

### 8.2 Limpar a cesta e o elevador



#### ADVERTÊNCIA!

- Após CADA lavagem (em conformidade com as instruções de lavagem da cesta), verifique se a cesta apresenta sinais de desgaste, rasgões e costuras soltas. Elimine IMEDIATAMENTE qualquer cesta de paciente que apresente um destes critérios.

#### Limpar a cesta

A cesta deve ser lavada com regularidade a uma temperatura da água que não ultrapasse os 95° C e com uma solução biológica. Consulte as instruções de lavagem presentes no manual de utilização da cesta.

#### Limpar e desinfetar o elevador

Para evitar infeções cruzadas, o guincho deve ser limpo e desinfetado após cada utilização.

Para limpar o elevador do paciente, basta utilizar um pano macio, humedecido com água e uma pequena quantidade de detergente suave. O elevador pode ser limpo com agentes de limpeza não abrasivos.

Nunca utilize ácidos, soluções alcalinas ou solventes para limpar o elevador. Seque o elevador cuidadosamente após a limpeza.

Os motores, a unidade de controlo e as peças de montagem podem ser danificados se o elevador for limpo de forma diferente da acima descrita.

O elevador deve ser limpo com um pano bem torcido e humedecido com um desinfetante doméstico comum. Utilize apenas detergentes de desinfecção aprovados pela instituição.

### 8.3 Reutilização

Este produto é adequado para reutilização. O número máximo de vezes que pode ser reutilizado depende da condição do produto.

Para evitar a transmissão de infeções, o elevador de transferência e as cestas devem ser limpos após cada utilização. Antes de reutilizar, consulte *Limpar a cesta e o elevador*.

### 8.4 Detetar sinais de danos e desgaste

É importante inspecionar todas as peças sob tensão, tais como as cestas, os braços de elevação e quaisquer pontos das cestas para verificar se apresentam sinais de fissuras, desfiamento, deformação ou deterioração. Substitua quaisquer peças defeituosas **IMEDIATAMENTE** e assegure que o elevador não é utilizado até as reparações estarem terminadas.

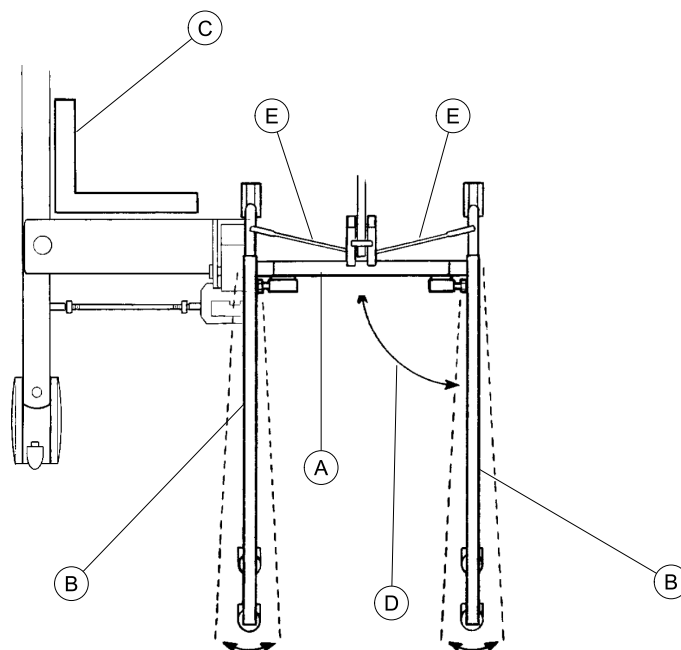
### 8.5 Lubrificar o elevador

O elevador da Invacare foi concebido para o mínimo de manutenção. No entanto, a lubrificação e a verificação semestrais do elevador irão assegurar a sua contínua segurança e fiabilidade.

Mantenha o elevador e as cestas limpos e em boas condições de funcionamento. Qualquer defeito deve ser registado e comunicado ao seu fornecedor logo que possível.

Os rodízios **DEVEM** oscilar e rodar com suavidade. Pode ser aplicado um óleo leve (auto lubrificante à prova de água) à bola de rolamento dos rodízios uma vez por ano. Aplique com maior frequência se os rodízios forem expostos a condições húmidas extremas.

### 8.6 Ajustar a base



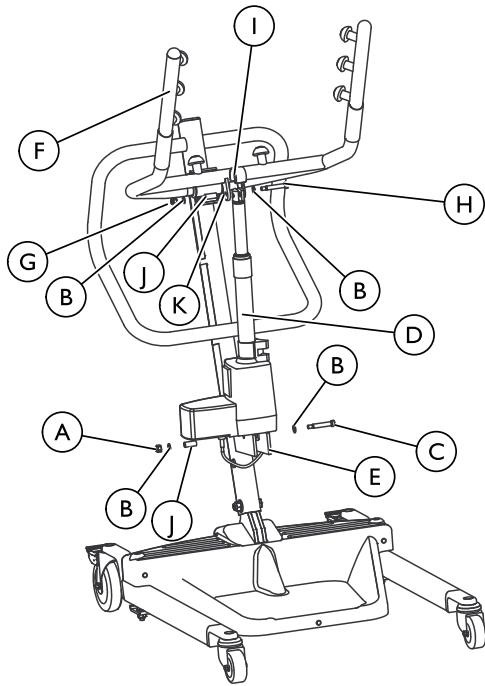
O ajuste da base (A) requer apenas o ajuste das hastas de ligação.

! Podem ocorrer danos no elevador.  
– As pernas devem estar na posição totalmente fechada antes de ajustar as hastas de ligação.

1. Feche completamente as pernas. Consulte a secção 4.2.1 *Fechar/Abrir as pernas manualmente*, página 182
2. Verifique a forma quadrada das pernas (B) quando estão na posição fechada.
3. Coloque um quadrado (C) no interior das pernas e da base para determinar o alinhamento de 90° (D).
4. Ajuste as hastas de ligação (E) até alcançar o alinhamento de 90°.

! Podem ocorrer danos no elevador.  
– **NÃO** ajuste as hastas de ligação se o alinhamento das pernas for inferior a 90°.

### 8.7 Substituir o acionador elétrico



Ⓐ Porca inferior	Ⓒ Porca superior
Ⓑ Anilha	Ⓓ Parafuso
Ⓒ Parafuso de gola	Ⓛ Suporte
Ⓓ Acionador elétrico	Ⓜ Bucha
Ⓛ Suporte de montagem do mastro	Ⓨ Suporte de montagem do braço de elevação
Ⓛ Braço de elevação	



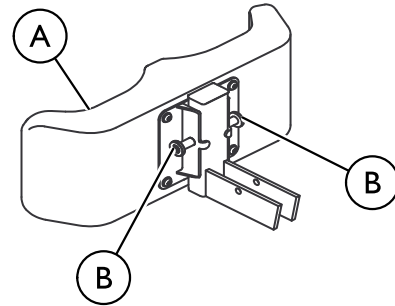
**ADVERTÊNCIA!**

– NÃO aperte excessivamente as ferragens de fixação. Se o fizer, irá danificar os suportes de montagem.

1. Retire a porca inferior, as anilhas, o parafuso de gola e a bucha que seguram o acionador elétrico ao suporte de montagem do mastro.
2. Coloque o braço de elevação no ombro e retire a porca superior, o parafuso, o suporte, a bucha (se aplicável) e as anilhas do suporte de montagem do braço de elevação.

3. Substitua o acionador elétrico.
4. Execute os PASSOS 1-3 pela ordem inversa para instalar o novo acionador elétrico.

### 8.8 Ajustar a altura da almofada do joelho



Ⓐ Almofada do joelho	Ⓑ Pinos de ajuste
----------------------	-------------------



**ADVERTÊNCIA!**

- NUNCA ajuste a almofada do joelho enquanto o paciente estiver na posição vertical.
- NUNCA tente ajustar a almofada do joelho enquanto o elevador se mover.
- Antes de utilizar, certifique-se SEMPRE de que os pinos de ajuste estão encaixados nos orifícios de ajuste de altura correspondentes.


1. Escolha uma configuração de altura que seja confortável para o paciente e que proporcione o apoio necessário.
  - ⓘ A almofada do joelho deve estar posicionada de modo a que o joelho esteja em contacto com a almofada.
2. Com as duas mãos, empurre os pinos de ajuste ao mesmo tempo.
3. Posicione a almofada do joelho na altura desejada e deixe que os pinos de ajuste se encaixem nos orifícios de alinhamento correspondentes.
4. Certifique-se de que os pinos estão engatados.

## 9 Características Técnicas

### 9.1 Elevador de transferência posição vertical RPS3501E e RPS3501FR

Altura do gancho da cesta — MÁX	168 cm
Altura do gancho da cesta — MÍN	102 cm
Largura da base (aberta)	94 cm
Largura da base (fechada)	66 cm
Altura da base (desobstrução)	11,5 cm
Comprimento da base	90 cm
Altura total	125 cm
Comprimento total	99 cm
Largura total	65,5 cm
Dimensão dos rodízios (FRONTAIS/TRASEIROS)	8 cm/13 cm
Opções para a cesta	Cesta de posição vertical / Cesta de transferência posição vertical
Material da cesta	Poliéster
Limitação de peso máximo (SWL) (paciente + cesta)	159 kg
Peso total (peso fora da embalagem)	49 kg
Bateria (tensão de saída)	24V DC mb máx. 240VA (RCHBL)
Entrada do carregador (tensão de alimentação)	100-240V CA ~ 50/60 Hz
Saída do carregador/Tempo de carga	29,5V DC 2,9 Ah Máx. 6 horas
Alarme áudio/visual de bateria baixa	Sim
Dispositivos de segurança de motor	Anti-armadilha
*Aprox. Número de elevações por carga (capacidade de funcionamento)	*100-200 ciclos por carga

Entrada máxima de corrente	Máx. 400 mA
Temperatura de funcionamento	5° a 40° C
Humidade do ar	20 % a 90 % a 30 sem condensação
Pressão sonora	< 50 dB
Pressão atmosférica	700 a 1060 hPa
Temperatura de armazenamento	acima dos 0° C
Humidade do ar de armazenamento	inferior a 60 %
Pressão atmosférica de armazenamento	700 hPa a 1060 hPa
Classe de proteção, unidade de controlo	IPX4
Tipo de proteção, comando	IPX4
Grau de proteção, motor	IPX4
Classe de isolamento	Equipamento de Classe II, peças aplicadas do tipo B
Intermitências	10 %, máx. 2 minutos/18 minutos
Capacidade da bateria	2,9 Ah
Abaixamento de emergência manual	Sim
Abaixamento/levantamento de emergência elétrico	Sim/Sim
Tempo de vida previsto	8 anos
Velocidade de condução	O elevador ultrapassa a "velocidade de levantamento e abaixamento" indicada no ENISO10535 (< 0,15 m/s sob carga máxima e < 0,25 m/s sem carga)

 \* Varia conforme o peso e o impulso.

# Innehållsförteckning

Den här bruksanvisningen MÅSTE ges till brukaren. INNAN produkten används, läs bruksanvisningen och spara den för framtida referens.

<b>1 Allmänt</b>	<b>198</b>
1.1 Inledning	198
1.2 Symboler	198
1.3 Avsedd användning	198
1.3.1 Kontraindikationer	199
1.4 Medföljande material	199
1.5 Produktens livslängd	199
1.5.1 Mer information	199
1.6 Information om garanti	199
1.7 Överensstämmelse	199
1.7.1 Produktspecifika standarder	199
<b>2 Säkerhet</b>	<b>200</b>
2.1 Allmänna riktlinjer	200
2.2 Användningsinformation	200
2.2.1 Allmänt	200
2.2.2 Läge	200
2.2.3 Kassering	201
2.3 Radiofrekvensinterferens	201
2.4 Etiketter på produkten	201
<b>3 Inställningar</b>	<b>202</b>
3.1 Säker montering	202
3.2 Montera masten på underredet	202
3.3 Förbered lyftens användning	202
3.4 Installera spak för manuell benspridning	202
3.5 Sätta fast batteriladdarens monteringsfäste på väggen	202
<b>4 Användande</b>	<b>204</b>
4.1 Inledning	204
4.2 Fälla in/ut benen	204
4.2.1 Fälla in/ut benen manuellt	204
4.3 Låsa/låsa upp bakhjulen	204
4.4 Höja/sänka lyften	204
4.4.1 Höja/sänka en elektrisk lyft	204
4.5 Aktivera mekanisk nödsänkning	205
4.5.1 Primär nödsänkning	205
4.5.2 Sekundär nödsänkning	205
4.6 Använda nödstoppfunktionen	205
4.7 Ladda batteriet	205
4.7.1 Batteriindikator	205
4.7.2 Ladda batteriet med en strömkabel	206
4.7.3 Ladda batteriet med batteriladdaren	206
<b>5 Lyfta patienten</b>	<b>207</b>
5.1 Säkra lyft	207
5.2 Positionera stålyften	207
5.3 Lyft av patienten	208
5.4 Förflyttning av patienten	209
<b>6 Förflyttning av patienten</b>	<b>210</b>
6.1 Säker förflyttning	210
6.2 Förflyttning till en hygienstol	210
6.3 Förflyttning till en rullstol	211
6.4 Förflyttning till en säng	211
<b>7 Felsökning</b>	<b>212</b>
7.1 Felsökningstabell	212
<b>8 Underhåll</b>	<b>213</b>
8.1 Checklista för underhåll och säkerhetsbesiktning	213
8.2 Rengöra lyftselen och lyften	213
8.3 Återanvändning	213
8.4 Kontrollera eventuella skador och slitage	214
8.5 Smörja lyften	214
8.6 Justera bromsarna	214
8.7 Byta ut det elektriska ställdonet	214
8.8 Justera höjden för underbensstödet	215
<b>9 Teknisk Data</b>	<b>216</b>
9.1 RPS3501E och RPS3501FR Personstålyft	216

# 1 Allmänt

## 1.1 Inledning

Den här bruksanvisningen innehåller viktig information om hantering av produkten. Läs igenom bruksanvisningen noga och följ säkerhetsinstruktionerna för att försäkra dig om att du använder produkten på ett säkert sätt.

Observera att det kan finnas avsnitt i den här bruksanvisningen som inte gäller för din produkt eftersom den avser alla tillgängliga modeller (vid tidpunkten för tryckning). Om inget annat anges hänvisar varje avsnitt i den här bruksanvisningen till alla modeller av produkten.

De modeller och konfigurationer som är tillgängliga i ditt land finns i de landsspecifika prislistorna.

Invacare förbehåller sig rätten att ändra produktspecifikationerna utan ytterligare meddelande.

Kontrollera att du har den senaste versionen av den här bruksanvisningen innan du läser den. Du hittar den senaste versionen som PDF-fil på webbplatsen för Invacare.

Om du tycker att teckensnittsstorleken i den tryckta versionen av bruksanvisningen är svår att läsa kan du ladda ned PDF-versionen från webbplatsen. Du kan sedan förstora PDF-filen på skärmen till en teckensnittsstorlek som passar dig bättre.

Kontakta en Invacare-representant om du vill ha mer information om produkten, till exempel produktsäkerhetsmeddelanden och produktåterkallelser. Adresser finns i slutet av det här dokumentet.

## 1.2 Symboler

I den här manualen används symboler som gäller risker eller osäker användning som kan orsaka skada på person eller egendom. Symbolerna definieras nedan.



### VARNING!

– "Varning" informerar om en riskfylld situation som kan leda till allvarlig skada eller dödsfall om den inte undviks.



### FÖRSIKTIGT!

– "Försiktigt" informerar om en riskfylld situation som kan leda till skada på egendom, lindrig personskada eller bådadera om den inte undviks.



### VIKTIGT

– Informerar om en riskfylld situation som kan leda till skada på egendom om den inte undviks.



Ger användbara råd, rekommendationer och information för en effektiv och problemfri användning.



Tillverkningsdatum.



Den här produkten uppfyller kraven i direktiv 93/42/EEG om medicintekniska produkter.

Lanseringsdatum för produkten anges i CE-försäkran om överensstämmelse.



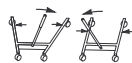
Läs bruksanvisningen



Ljudsignal vid svagt batteri. Se 4.7 *Ladda batteriet, sida 205*



Hjullås.



Fälla ut/fälla in benen



Höja/sänka bommen



Nödstopp



Säker arbetsvikt



Klass II, dubbelisolerad



Patientansluten del typ B



Återvinn produkten. Mer information finns 2.2.3 *Kassering, sida 201*

## 1.3 Avsedd användning



### VARNING!

#### Fallrisk

Invacares stålyft är INTE någon transportenhet. Den är avsedd för att förflytta en person från en viloyta till en annan (som en säng till en rullstol). Invacares lyftselar och personlyftstillbehör är särskilt utformade för att användas tillsammans med Invacares personlyftar.

Så här undviker du personskada eller fall:

- Patienter som använder stålyften för att bli förflyttade och positionerade MÅSTE vara samarbetsvilliga, följa instruktioner och ha huvud- och nackkontroll. Annars kan skador uppstå.
- Patienter som använder stålyftselen för att bli förflyttade och positionerade MÅSTE kunna bära upp majoriteten av sin egna vikt. Annars kan personsador eller skador på utrustningen inträffa. Mer information finns i lyftselens bruksanvisning.

Stålyftar är batteridrivna förflyttingsenheter som är avsedda att användas i de flesta vanliga lyftsituationer, till exempel följande:

- Mellan sängen och en rullstol
- Till och från toaletten

Stålyften är endast avsedd för att lyfta patienter upp till den högsta viktgräns som finns angiven i tekniska data.

Produkten är endast avsedd för inomhusbruk.

Det är viktigt att välja lämpliga lyftselar och tillbehör för varje person för att säkerställa säkerheten när en personlyft används. Närmare information om Invacares lyftselar och tillbehör finns i bruksanvisningarna till dessa enheter.

Invacare rekommenderar att patienten förflyttas till en duschstol eller andra hjälpmedel för bad.

Stålyften kan vändas (vridas) på plats för förflyttningar på platser med begränsat golvutrymme.

### 1.3.1 Kontraindikationer

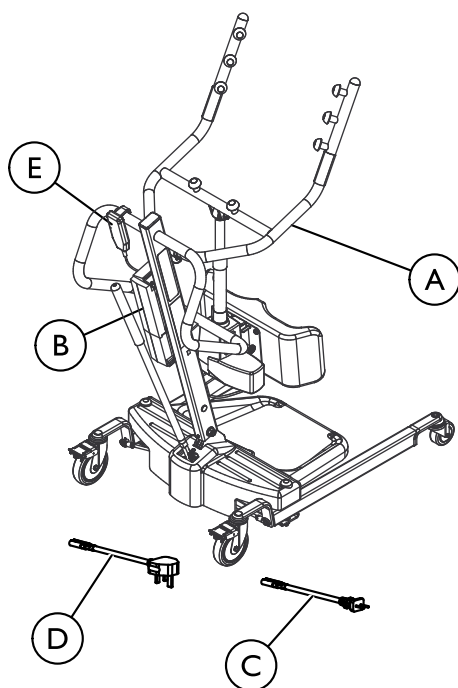
Personstålyften är kontraindikerad för patienter som:

- inte är samarbetsvilliga
- inte är följa instruktioner
- inte har huvud- och nackkontroll

Vissa lyftselar utformade för personstålyften är kontraindikerade för patienter som inte kan stödja majoriteten av deras vikt. Mer information finns i lyftselens bruksanvisning.

### 1.4 Medföljande material:

Delarna som anges i tabellerna ingår i paketet. Lyftselar säljs separat. Beroende på vilken modell du har säljs väggladdaren eventuellt separat.



Del	Beskrivning	Antal
A	Lyft	1
B	Batteri	1
C	Laddningskabel, EU	1

D	Laddningskabel, Storbritannien (endast RPS350–1E)	1
E	Handkontroll	1
F	Bruksanvisning till lyften (visas inte)	1

### 1.5 Produktens livslängd

Den förväntade livslängden för denna produkt är åtta år när de används dagligen och i enlighet med säkerhetsinstruktioner, underhållsintervall och korrekt användning enligt denna handbok. Den effektiva livslängden kan variera beroende på hur ofta och hur intensivt produkten används.

#### 1.5.1 Mer information

Den förväntade livslängden utgår från ett beräknat genomsnitt på 4 lyftcykler per dag.

### 1.6 Information om garanti

Vi tillhandahåller en tillverkargaranti för produkten i enlighet med våra allmänna affärsvillkor i respektive land.

Garantianspråk kan endast göras genom den leverantör som tillhandahöll produkten.

### 1.7 Överensstämmelse

Kvalitet är absolut grundläggande för företagets verksamhet, och vi arbetar i enlighet med standarden i ISO 13485.

Den här produkten är CE-märkt i enlighet med direktiv 93/42/EEG om medicintekniska produkter av klass 1.

Vi arbetar ständigt på att se till att företaget påverkar lokal och global miljö så lite som möjligt.

Vi använder endast material och komponenter som följer REACH-direktivet.

Vi följer gällande miljölagstiftning, WEEE- och RoHS-direktivet.

#### 1.7.1 Produktspecifika standarder

Produkten har testats och överensstämmer med ISO 10535 (Lyftar för personer med funktionshinder) och alla relaterade standarder.

Kontakta en lokal Invacare-representant om du vill ha mer information om lokala standarder och bestämmelser. Adresser finns i slutet av det här dokumentet.

## 2 Säkerhet

### 2.1 Allmänna riktlinjer



#### VARNING!

– Använd INTE den här produkten eller någon tillvalsutrustning innan du har läst och förstått dessa instruktioner och eventuellt ytterligare instruktionsmaterial, såsom bruksanvisningar, servicemanualer eller instruktionsblad som medföljer produkten eller tillvalsutrustningen. Om du inte kan förstå varningarna eller instruktionerna ska du kontakta hälso- och sjukvårdspersonal, hjälpmedelscentral eller teknisk personal innan du använder utrustningen – annars kan det orsaka skada på person eller egendom.

#### VARNING GÄLLANDE TILLBEHÖR

Invacares produkter är särskilt utformade och tillverkade för att användas med tillbehör från Invacare.

Tillbehör från andra tillverkare har inte testats av Invacare, och vi rekommenderar inte att sådana används tillsammans med Invacare-produkter. Under vissa förhållanden är det möjligt att använda lyftselar från andra tillverkare.

– Kontakta en lokal Invacare-återförsäljare för mer information.



#### OBS!

– Informationen i det här dokumentet kan ändras utan föregående meddelande.

Kontrollera alla delar för att se om de har skadats under leveransen innan du använder dem. Använd INTE utrustningen om den är skadad. Kontakta din hjälpmedelscentral eller Invacares representant för vidare instruktioner.

### 2.2 Användningsinformation

Den här delen av bruksanvisningen innehåller allmän säkerhetsinformation om produkten. För mer specifik säkerhetsinformation, se respektive avsnitt i bruksanvisningen och de olika rutinerna i avsnittet. Säkerhetsinformation gällande montering av lyften hittar du till exempel i avsnitt 3 *Inställningar*, sida 202

### 2.2.1 Allmänt



#### VARNING!

##### Fallrisk

Försök INTE förflytta en patient utan godkännande från patientens läkare, sjuksköterska eller annan vårdpersonal. Läs instruktionerna i den här bruksanvisningen noga, titta på när en grupp erfarna experter utför lyftrutinerna och utför sedan hela lyftrutinen flera gånger under lämplig övervakning och en frisk person som spelar patient.

- Använd alltid sunt förnuft när du lyfter patienter. Var EXTRA försiktig med personer med nedsatt rörelseförmåga som inte kan samarbeta när de lyfts.
- Använd alltid körhandtaget på masten för att skjuta eller dra personlyften.
- Var noga med att kontrollera lyftselens fästen varje gång lyftselen tas loss och byts ut för att säkerställa att den är korrekt fastsatt innan patienten flyttas från ett stationärt föremål (en säng, stol eller hygienstol).



#### VARNING!

##### Risk för personskador eller produktskador

Vissa ytor kan göra lyften instabil och därmed orsaka person- eller produktskador.

Lyften kan användas i duschen eller i badrummet men överdriven fukt kommer skada lyften och kan orsaka personskada.

- Undvik att använda lyften på ett lutande underlag. Invacare rekommenderar att lyften endast används på en plan yta.
- Rulla INTE hjulbasen över ojämna ytor som kan orsaka att personlyften välter.
- Använd INTE personlyften i duschen eller badet eller i någon långvarig fuktig miljö.
- Säkerställ att personlyften torkas rent från eventuell fukt efter användning.
- Lyften får INTE förvaras på ett fuktigt ställe eller i ett fuktigt tillstånd. Se förvaringstemperaturintervall, fuktighet och tryckområde i 7.1 *Felsökningstabell*, sida 212
- Besiktiga personlyftens alla komponenter regelbundet för att upptäcka eventuella tecken på rost. Byt ut alla komponenter som är rostiga eller skadade.

### 2.2.2 Läge

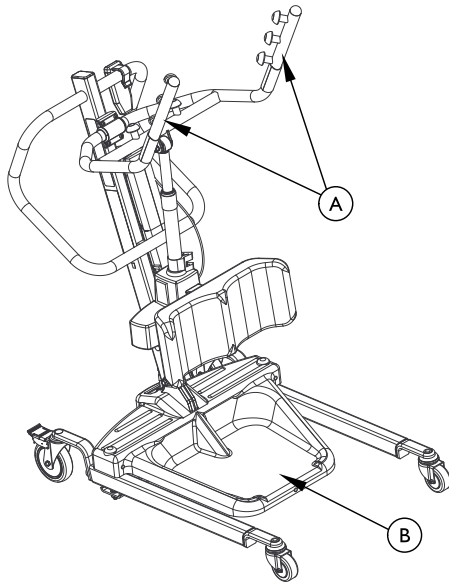


#### VARNING!

##### Risk för personskador

- Var ALLTID medveten om bommarna. Skada på patient och/eller assistent kan inträffa.
- Var ALLTID medveten om fotstödet, särskilt patientens position på fotstödet. Skada på patient och/eller assistent kan inträffa.





- i (A) = Lyftarmarna  
(B) = Fotplatta

### 2.2.3 Kassering



#### **VARNING!**

#### **Fara för miljön**

Den här produkten levereras av en miljömedveten tillverkare som uppfyller direktiv 2012/19/EU om avfall som utgörs av eller innehåller elektriska eller elektroniska produkter (WEEE).

Enheten innehåller blybatterier.

Produkten kan innehålla ämnen som kan vara skadliga för miljön om den slängs på platser (deponier) som inte är lämpliga enligt lagstiftningen.

- Batterier får INTE slängas i hushållsavfallet. De **MÅSTE** lämnas på en lämplig avfallshanteringsstation. Kontakta det företag som sköter den lokala avfallshanteringen för information.
- Tänk på miljön och återvinn produkten genom att lämna in den på en återvinningscentral när den inte längre kan användas.

### 2.3 Radiofrekvensinterferens



#### **VARNING!**

#### **Risk för personskador eller produktskador**

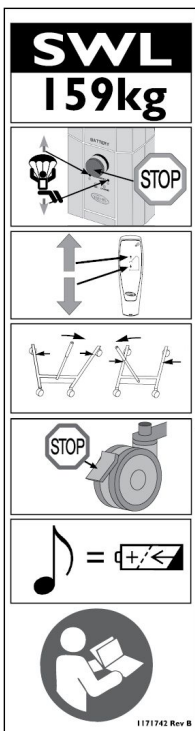
Nästan all elektronisk utrustning påverkas av radiofrekvensinterferens (RFI).

FÖRSIKTIGHET bör iaktas när det gäller användning av bärbar kommunikationsutrustning i närheten av sådan utrustning, annars kan personskada eller produktskada uppstå.

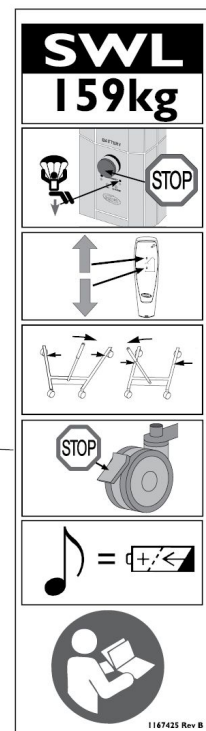
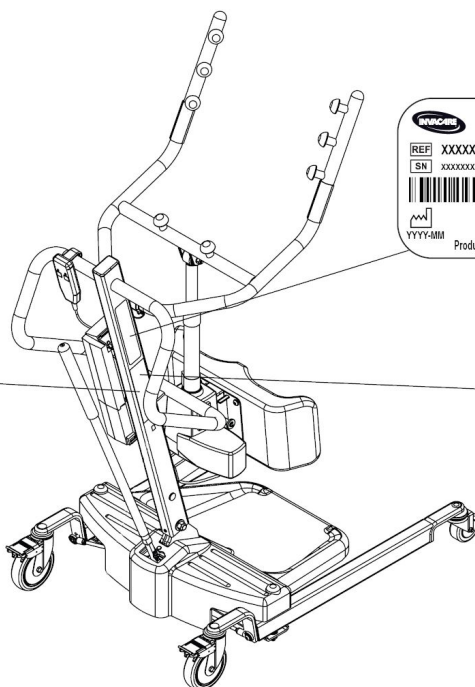
Om RFI orsakar felaktig funktion:

- **SLÅ GENAST AV** den röda strömbrytaren.
- **Slå INTE PÅ** strömbrytaren under pågående överföring.

### 2.4 Etiketter på produkten



**RPS350-IFR**



**RPS350-IE**

## 3 Inställningar

### 3.1 Säker montering



#### VARNING!

#### Risk för personskador

Felaktig montering kan orsaka person- eller saksador.

- Montering får ENDAST utföras av kvalificerad personal.
- Använd endast komponenter från Invacare när du monterar personlyften. Lyftkomponenterna är tillverkade i enlighet med specifikationer som säkerställer korrekt inpassning mellan alla delar för säker och funktionell användning.
- Dra INTE åt monteringsmaterialets skruvar för hårt. Då skadas monteringsfästet.



Inga verktyg behövs för montering av personlyften.

Kontakta din hjälpmedelscentral eller lokala Invacare-representant om problem eller frågor uppstår under monteringen. Se kontaktinformationen på sista sidan i den här bruksanvisningen.

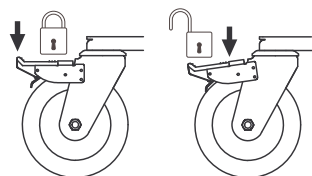
### 3.2 Montera masten på underredet



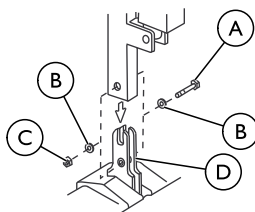
#### VARNING!

- Använd endast komponenter från Invacare när du monterar personlyften. Underredets ben, stången, lyftarmen, pumpenheten och lyftbygeln är tillverkade i enlighet med specifikationer som säkerställer korrekt inpassning mellan alla delar för säker och funktionell användning.

DETALJ "A"



DETALJ "B"



Ⓐ Hexbult	Ⓒ Mutter
Ⓑ Mutterbricka	Ⓓ Monteringsfäste



Masten kan fällas ned för förvaring och transport. När masten används MÅSTE den alltid vara ordentligt fäst i underredet.

1. Sätt underredet på golvet.



Se till så att alla fyra hjul har kontakt med golvet.

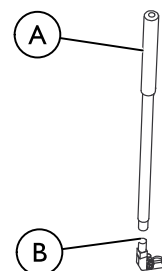
2. Lås båda bakhjulen Se Detalj A.

3. Avlägsna hexbulten, mutterbrickorna och muttern som finns i det U-formade utsnittet på underredet Se Detalj B.
4. Lyft masten till upprätt position.
5. Sänk ned masten på monteringsfästet.
6. Fäst masten till underredet med hexbulten, mutterbrickorna och muttern. Dra åt hårt.

### 3.3 Förbered lyftens användning

Kontrollera allt monteringsmaterial INNAN användning.

### 3.4 Installera spak för manuell benspridning

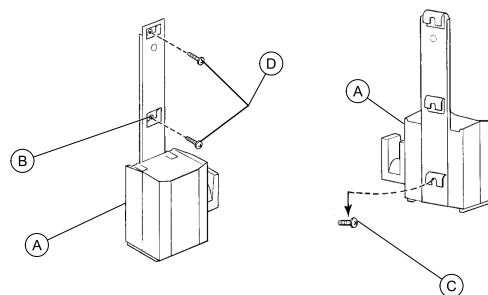


Ⓐ Spak för manuell benspridning

Ⓑ Koppling i basen

1. Ta bort spak från förpackningskartongen.
2. Gänga i spak på I kopplingen på basen.

### 3.5 Sätta fast batteriladdarens monteringsfäste på väggen



Se de lokala bestämmelserna för korrekta monteringsrutiner.

Den här proceduren gäller endast RPS350-1E modeller.

1. Placera batteriladdaren med monteringsfästet Ⓐ på önskat ställe på väggen.
2. Markera var det mittersta hålet Ⓑ är med en blyertspenna.
3. Mät 16,5 cm (6,5 inch) nedåt från blyertsmarkeringen och borra ett monteringshål.
4. Skruva i den nedre monteringskruven Ⓒ tills mellanrummet mellan skruvens huvud och väggen är ca 3 mm (1/8-inch).
5. Placera batteriladdaren med monteringsfästet på den nedre monteringskruven.
6. Borra de sista två monteringshålen.

7. För in de sista två monteringskruvarna ④ genom monteringsfästet och in i väggen. Dra åt hårt.
8. Anslut batteriladdaren till eluttaget.




Lampan för PÅ ska lysa.

## 4 Användande

### 4.1 Inledning

Det är enkelt och säkert att använda personlyften.

-  Se följande säkerhetsinformation och säkerhetsrutiner innan du använder lyften med en patient:
- 2.2 Användningsinformation, sida 200
  - 5.3 Lyft av patienten, sida 208

### 4.2 Fälla in/ut benen



#### WARNING!


#### Risk för personskador

Lyften kan välta och utsätta patienten och vårdpersonalen för fara.

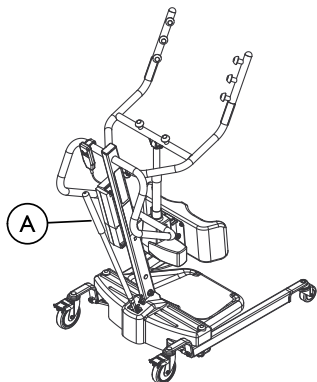
- Lyftens ben måste vara i det yttre ändläget för att ge högsta stabilitet och säkerhet. Om benen på lyften måste fällas in för att få in lyften under en säng bör du endast ha benen infällda så länge som det behövs för att placera lyften över patienten och lyfta upp patienten ur sängen. När lyftens ben inte längre befinner sig under sängen ska benen återigen fällas ut till det yttre ändläget.



#### 4.2.1 Fälla in/ut benen manuellt

Spaken används för att fälla ut eller in benen på underredet för ökad stabilitet när en patient ska lyftas.

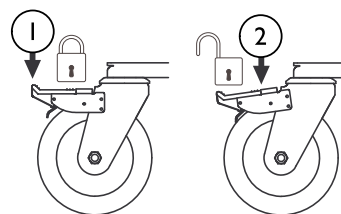
-  Se säkerhetsinformationen i 4.2 Fälla in/ut benen, sida 204 innan du gör detta.

Ⓐ = Spak för manuell benspridning



1. För att stänga benen:  
Dra spaken UT och iväg från stålyften och sedan till VÄNSTER om dig till det LÅSER i hacket på fästet.  
 Vänster bestäms genom att stå bakom stålyften med blicken mot framhjulen.
2. För att öppna benen:  
Dra spaken UT och iväg från stålyften och sedan till HÖGER om dig till det LÅSER i hacket på fästet.  
 Höger bestäms genom att stå bakom stålyften med blicken mot framhjulen.

### 4.3 Låsa/låsa upp bakhjulen



1. Trampa här för att låsa
2. Trampa här för att låsa upp

### 4.4 Höja/sänka lyften




#### WARNING!

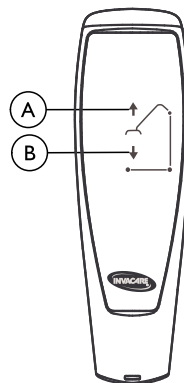
#### Risk för personskador

Lyften kan välta och utsätta patienten och vårdpersonalen för fara.


- Invacare rekommenderar att bakhjulen lämnas olåsta vid användning av lyften så att personlyften kan stabiliseras när patienten lyfts upp från en stol, en säng eller ett annat stationärt föremål.

#### 4.4.1 Höja/sänka en elektrisk lyft

-  Se säkerhetsinformationen i 4.4 Höja/sänka lyften, sida 204 innan du gör detta.



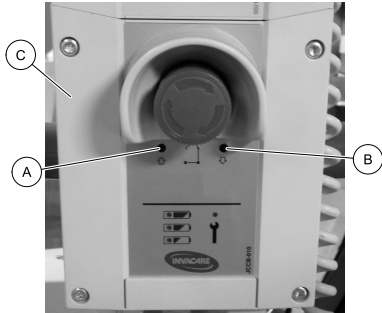
1. Höja lyften: Håll knappen UP (upp) Ⓐ nedtryckt om du vill höja bommen och patienten.
2. Sänka lyften: Håll knappen DOWN (ned) Ⓑ nedtryckt om du vill sänka bommen och patienten.

-  Släpp knappen så avbryts höjningen eller sänkningen av lyften.

## 4.5 Aktivera mekanisk nödsänkning

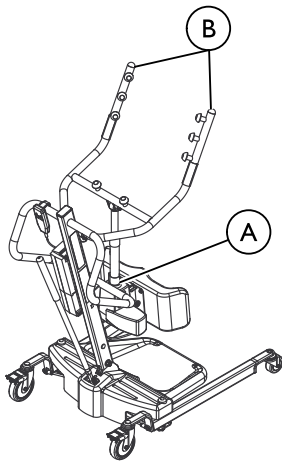
Det finns två typer av mekanisk nödsänkning: primär och sekundär.

### 4.5.1 Primär nödsänkning



1. För in en penna i hålet som är märkt för nödhöjning (A) eller nödsänkning (B) på elektronikboxen (C).

### 4.5.2 Sekundär nödsänkning



(A) RÖTT Nödhandtag

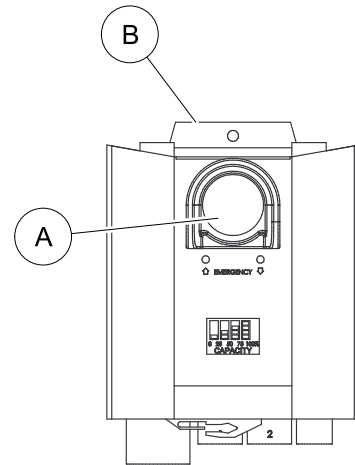
(B) Lyftarmen

**i** Det rekommenderas att primär nödsänkning används. Den sekundära nödsänkningen är endast ett reservalternativ till den primära nödsänkningen.

I de fall då den primära nödsänkningen inte fungerar eller inte kan komma åt kan den sekundära nödsänkningen användas.

1. Dra NÖDHANDTAGET (A) uppåt och tryck samtidigt ner lyftarmen (B).

## 4.6 Använda nödstoppfunktionen



1. Tryck på den RÖDA knappen (A) på elektronikboxen (B) för att avbryta höjning eller sänkning av bommen och patienten.
2. För att återställa vrider du nödstoppknappen medurs.

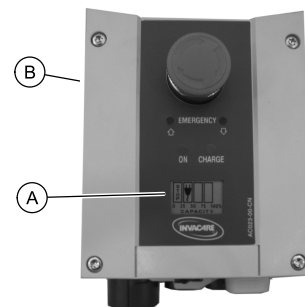
## 4.7 Ladda batteriet

**i** Invacare rekommenderar att batteriet laddas dagligen för att förlänga batteriets livslängd.

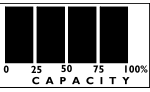
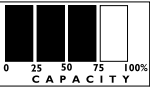
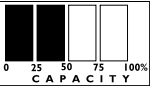
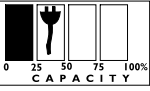
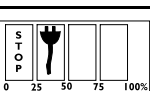
Det finns två olika metoder för att ladda batteriet. Ena metoden använder en strömsladd som fäster till elektronikboxen och den andra metoden kräver att batteriet monteras till batteriladdaren. Följ lämplig procedur för att ladda batteriet till din personlyft.

### 4.7.1 Batteriindikator

**i** Den här proceduren gäller endast RPS350–1FR modeller.




Batteriindikatorn (A) sitter på elektronikboxen (B). Indikatorlamporna visar batteriets status:

Batteriindikator på elektronikboxen A	Batteri-status	Beskrivning
	Fulladdat (100 %)	Batteriet är OK – laddning behövs inte (100 %).
	Delvis laddat (75 %)	Batteriet är OK – laddning behövs inte (75 %).
	Delvis laddat (50 %)	Batteriet behöver laddas (50 %).
	Låg laddningsnivå (25 %)	Batteriet behöver laddas (25 %). En signal ljuder när en knapp trycks in.
	Låg laddningsnivå (0 %)	Batteriet behöver laddas. Vissa av lyftens funktioner fungerar inte och endast sänkning av lyftarmen är möjlig.  En varningssignal (tuta) hörs när batteriets laddningsnivå är låg. Om varningssignalen ljuder under en pågående förflyttning så ska du slutföra förflyttningen och därefter ladda batteriet.

#### 4.7.2 Ladda batteriet med en strömkabel




 Den här proceduren gäller endast RPS350-1FR.

A = Anslut strömkabeln här

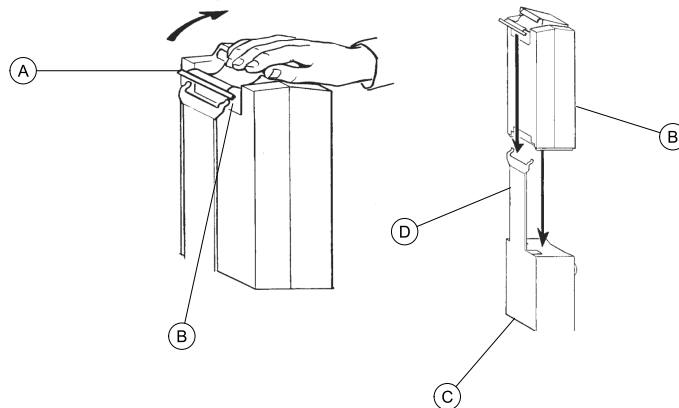



#### FÖRSIKTIGT!

– Nödstoppsknappen FÅR INTE vara intryckt. Annars kan inte batteriet laddas. Personlyften får inte användas medan batteriet laddas. Försök INTE förflytta personlyften utan att först ha dragit ut strömkabeln ur vägguttaget. Försök INTE använda personlyften om batterihöljet är skadat. Byt ut det skadade batterihöljet innan lyften används igen.

1. Anslut strömkabeln till elektronikboxen.
2. Anslut strömkabeln till ett eluttag.
  -  Det tar ungefär 4 timmar att ladda batteriet. Laddningen måste ske i ett rum med god ventilation.
3. Dra ut strömkabeln ur eluttaget när batteriet är fulladdat.

#### 4.7.3 Ladda batteriet med batteriladdaren



 Den här proceduren gäller endast RPS350-1E.

1. Lyft upp handtaget A på baksidan av batteriet B.
2. Lyft ut batteriet uppåt ur elektronikboxen C.



#### FÖRSIKTIGT!

Om batteriet monteras på ett felaktigt sätt kan det leda till person- eller saksador.  
– Ett klick ska höras när du fäster batteriet på batteriladdaren som en bekräftelse på att det har fästs korrekt.

3. Placera batteriet på batteriladdaren D enligt figuren. Se till att ett klick hörs.



Laddningslampan tänds. När batteriet är fulladdat slocknar laddningslampan.  
Det tar ungefär fyra timmar att ladda ett batteri helt.

4. Lyft upp handtaget på baksidan av batteriet.
5. Lyft batteriet uppåt och utåt bort från batteriladdaren.



#### FÖRSIKTIGT!

Om batteriet monteras på ett felaktigt sätt kan det leda till person- eller saksador.  
– Ett klick ska höras när du fäster batteriet på elektronikboxen som bekräftelse på att det har fästs på rätt sätt.

6. Sätt tillbaka batteriet på elektronikboxen enligt figuren. Se till att ett klick hörs.



Batteriet monteras på elektronikboxen och batteriladdaren enligt figuren.

## 5 Lyfta patienten

### 5.1 Säkra lyft



#### VARNING!

- Personlyftens högsta tillåtna vikt på 159 kg FÅR INTE överskridas.
- Patienten får inte förflyttas utan medgivande från patientens vårdpersonal.
- Undvik skada genom att ALDRIG hålla händer eller fingrar i närheten av rörliga delar.
- Under förflyttningen, när patienten är placerad i en lyftsele som är fäst i lyften, får hjulen INTE köras över ojämna ytor, eftersom det kan leda till att personlyften välter.
- Använd alltid körhandtaget på masten för att skjuta eller dra stålyften.



#### VARNING!

##### Manövrera lyften och lyfta patienten

- Säkerställ att utrustningen som används med stålyften är av tillräcklig styrka för att kunna lyfta lasten (t.ex lyftsele). Säkerställ att personen som lyfts inte utsätts för fara orsakad av att utrustningen fungerar dåligt.
- Innan positionering av stålyftens ben runt patienten, se till så att patientens fötter inte är i vägen för fotplattan, annars kan skador inträffa.
- Justeringar för säkerhet eller komfort bör göras innan patienten flyttas. Patientens armar ska befinna sig utanför lyftselens band.



#### VARNING!

##### Manövrera lyften och lyfta patienten

- Innan du lyfter en patient från ett stationärt föremål (rullstol, hygienstol eller säng), lyft patienten en liten bit från det stationära objektet och kontrollera att alla lyftselens fästen är säkrade. Om något av fästena inte sitter som det ska sänker du ned patienten på det stationära föremålet igen och åtgärdar problemet.
- Under förflyttningen, när patienten är placerad i en lyftsele som är fäst i lyften, får hjulen INTE köras över ojämna ytor, eftersom det kan leda till att personlyften välter. Använd alltid körhandtaget på masten för att skjuta eller dra personlyften.
- Invacare rekommenderar att bakhjulen ENDAST låses när lyftselen placeras runt eller tas bort från patienten.
- Invacare rekommenderar INTE att bakhjulen på personlyften låses när en patient lyfts upp. Detta kan få lyften att tippa och skador på patienten och assistenterna kan uppstå. Invacare REKOMMENDERAR att bakhjulen förblir olåsta under lyft för att personlyften ska kunna stabilisera sig själv när patienten först lyfts upp från en stol, säng eller annat stationärt föremål.



#### VARNING!

##### Använda lyftselen

- Använd den lyftsele som rekommenderas av brukarens vårdpersonal i syfte att säkerställa brukarens komfort och säkerhet.
- Individer som använder stålyftens lyftsele MÅSTE kunna bära upp majoriteten av deras egna vikt, annars kan skador uppstå.
- En lyftsele som är blekt, sliten, avklippt, fransig eller trasig är inte säker att använda och kan orsaka skador. Kassera eventuell lyftsele som möter dessa kriterier OMEDELBART.
- Lyftselar får INTE modifieras.
- Var noga med att kontrollera lyftselens fästen varje gång lyftselen tas loss och byts ut för att säkerställa att den är korrekt fastsatt innan patienten flyttas från ett stationärt föremål (en säng, stol eller hygienstol).
- Om patienten sitter i en rullstol måste hjulen låsas för att rullstolen inte ska kunna röra sig framåt eller bakåt.
- Hänsyn bör tas som förebygger exponering för fara för Personen som lyfts och att personen kan frigöras utan skada.



#### VARNING!

##### Uppresningssele

- Använd INTE lyftselen i kombination med personlyften som en transportanordning. Den är avsedd för att förflytta en person från en viloyta till en annan (t.ex. en säng till en rullstol).
- Innan patienten lyfts bör du säkerställa att nedre kanten av lyftselen är positionerad på den nedre delen av patientens rygg och att patientens armar är utanför stålyftselen. Bältet MÅSTE sitta tätt men bekvämt på patienten, annars kan patienten glida ut ur lyftselen under förflyttning vilket kan orsaka skador.
- Bältet MÅSTE sitta tätt men bekvämt på patienten, annars kan patienten glida ut ur lyftselen under förflyttning vilket kan orsaka skador.

##### Uppresningssele med benstöd

- Innan patienten lyfts bör du säkerställa att nedre kanten av lyftselen är positionerad på den nedre delen av patientens rygg och att patientens armar är utanför förflyttningsselen.
- Höj INTE patienten till fullt stående position samtidigt som lyftselen används, annars kan skador uppstå.



Mer information finns i broschyren lyftselar.

### 5.2 Positionera stålyften



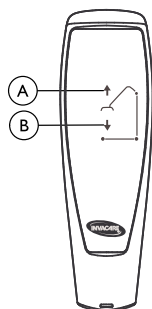
Se säkerhetsavsnittet i den här bruksanvisningen och läs informationen i 5.1 Säkra lyft, sida 207en gång till innan du fortsätter. Observera alla varningar.

Innan du placerar personlyftens ben under sängen måste du kontrollera att området är fritt från hinder.

**VARNING!****Risk för personskador**

Lyften kan välta och utsätta patienten och vårdpersonalen för fara.

- Lyftens ben måste vara i det yttre ändläget för att ge högsta stabilitet och säkerhet. Om benen på lyften måste fällas in så att lyften kommer in under sängen bör du endast fälla in benen så länge som det krävs för att placera lyften över patienten och lyfta upp patienten ur sängen. När lyftens ben inte längre befinner sig under sängen ska benen återigen fällas ut till det yttre ändläget.



A UPP-Knapp

B NED-Knapp

1. Säkerställ att stålyftens ben är i det yttre ändläget. Om inte, använd spaken för att öppna benen.
2. Positionera stålyften med masthandtaget.
3. Tryck på knappen med pilen nedåt på manöverdosan för att sänka lyftarmarna för enkel fastsättning av lyftselen.

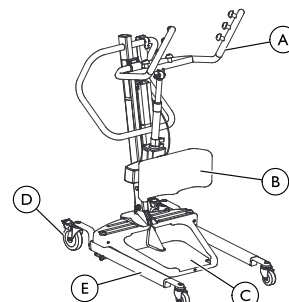
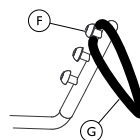
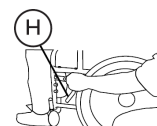
**5.3 Lyft av patienten****VARNING!**

– Personlyftens högsta tillåtna vikt på 159 kg FÅR INTE överskridas.

- Individer som använder stålyftens lyftsela MÅSTE kunna bära upp majoriteten av deras egna vikt, annars kan skador uppstå.
- Lås INTE bakhjulen på stålyften när en patient lyfts upp. Detta kan få stålyften att tippa och skador på patienten och assistenterna kan uppstå. Upplåsning av bakhjulen under lyft gör att personlyften kan stabiliseras när patienten först lyfts upp ur en rullstol, säng eller annat stationärt föremål.
- Flytta INTE patienten om lyftselen inte är ordentligt fäst till fästpunkten på stålyften.
- Se till så att lyftselen är ordentligt fäst INNAN du lyfter patienten. Om något av fästena inte sitter som det ska så ska du åtgärda problemet. När lyftselen är lyft några centimeter från den fasta ytan och innan patienten flyttas bör du kontrollera än en gång att selen är korrekt fäst och att alla fästen är säkert på plats. Om något INTE sitter fast korrekt sänker du patienten tillbaka till den fasta ytan och åtgärdar problemet - annars kan personskador eller materialskador uppstå.
- Justeringar för säkerhet eller komfort bör göras innan patienten flyttas.

**VARNING!**

- Använd en lyftsela som har rekommenderats av brukarens läkare, sjuksköterska eller annan vårdpersonal i syfte att säkerställa brukarens komfort och säkerhet. Invacares lyftselar är specifikt utformade för användning med Invacares personlyftar. Under vissa förhållanden är det möjligt att använda lyftselar från andra tillverkare på Invacares lyftar. Kontakta ett Invacare-ombud för mer information.

**Detalj A - Stålyft****Detalj B - Selfäste****Detalj C - Bromsar**

A Handgrepp

E Ben

B Underbensstöd

F Hake

C Fotplatta

G Selens ögla

D Bakhjul

H Broms



Mer information finns i lyftselen bruksanvisning.

Patienten MÅSTE vara i sittande position först. Använd huvudsektionen av sängen för att få patienten upprätt och flytta sedan över benen till sidan av sängen.

1. Instruera patienten att hålla i handgreppen på båda sidorna av stålyften (Detalj A)
2. Instruera patienten att luta sig tillbaka i lyftselen.

**VARNING!**

- Uppresningssele - Innan du lyfter patienten, se till så att den nedre kanten av selen är positionerad på den nedre delen av patientens rygg och att patientens armar är utanför selen.
- Uppresningssele med benstöd- Innan du lyfter patienten, se till så att den nedre kanten av selen är positionerad på den nedre delen av patientens rygg och att patientens armar är utanför selen.



3. Säkerställ följande:
  - a. Patientens underben stöds av underbensstödet.
  - b. Patientens fötter är korrekt placerade på fotplattan.
  - c. Lyftselar:
    - den nedre kanten av stålyftselen är positionerad på den nedre delen av patientens rygg.
    - den nedre kanten av förflyttningsstålyftselen är positionerad på den nedre delen av patientens rygg.
    - patientens armar är utanför lyftselen.
    - lyftselen öglor är fullständigt fästa på hakarna på lyftarmen (Detalj B).
  - d. Bakhjulen är olåsta.
  - e. Benen är i den maximala öppna positionen.

**WARNING!**

– Vid förflyttning av en patient från en rullstol så MÅSTE rullstolens bromsar vara i låst position innan man sänker ner patienten i rullstolen. Annars kan skador uppstå.

4. Om man förflyttar från en rullstol, lås bromsarna på rullstolen (Detalj C)
5. Tryck på knappen med en UPP-pil på manöverdosan för att lyfta patienten över ytan (säng, rullstol eller hygienstol). Patientens vikt kommer att få fullt stöd av stålyften.



Den lägre tyngdpunkten gör lyften mer stabil och lätttrölig och den gör även att patienten känner sig säkrare.

## 5.4 Förflyttning av patienten

**WARNING!**

– Stålyftens ben måste vara i det yttre ändläget för att ge högsta stabilitet och säkerhet. Om patienten är i placera en lyftsele och det blir nödvändigt att flytta igenom en smal passage, stäng då stålyftens ben endast för den tiden det tar att förflyttas igenom passagen. När stålyften kommit igenom passagen, sätt tillbaka benen till det yttre ändläget.

– Under förflyttningen, när patienten är placerad i en lyftsele som är fäst i lyften, får hjulen INTE köras över ojämna ytor, eftersom det kan skapa en obalans. Detta kan få lyften att välta. Använd alltid masthandtaget för att skjuta på eller dra lyften.

1. Säkerställ att stålyftens ben är i det yttre ändläget. Om inte, tryck på ÖPPNA BEN-knappen på manöverdosan för att flytta benen till det yttre ändläget.
2. Flytta iväg stålyften från ytan som patienten lyftes ifrån.
3. Flytta långsamt patienten till önskad yta.

## 6 Förflyttning av patienten

### 6.1 Säker förflyttning



#### VARNING!

- Personlyftens högsta tillåtna vikt på 159 kg FÅR INTE överskridas.
- Patienten får inte förflyttas utan medgivande från patientens vårdpersonal. Läs instruktionerna i bruksanvisningen noga, titta hur en grupp erfarna experter utför lyftrutinerna och utför sedan hela lyftrutinen flera gånger med lämplig övervakning och en frisk person som spelar patient. Utbildning kan erbjudas. Kontakta ett Invacare-ombud för mer information.
- Flytta INTE patienten om lyftselen inte är ordentligt fäst till fästpunkterna på stålyften. Kontrollera att lyftselen är ordentligt kopplad till fästpunkterna innan lyft av patient. Om något av fästena inte sitter som det ska så ska du åtgärda problemet. När lyftselen är lyft några centimeter från den fasta ytan och innan patienten flyttas bör du kontrollera än en gång att selen är korrekt fäst och att alla fästen är säkert på plats. Om något INTE sitter fast korrekt sänker du patienten tillbaka till den fasta ytan och åtgärdar problemet - annars kan personskador eller materialskador uppstå.
- Justeringar för säkerhet eller komfort bör göras innan patienten flyttas. Patientens armar ska befinna sig utanför banden.

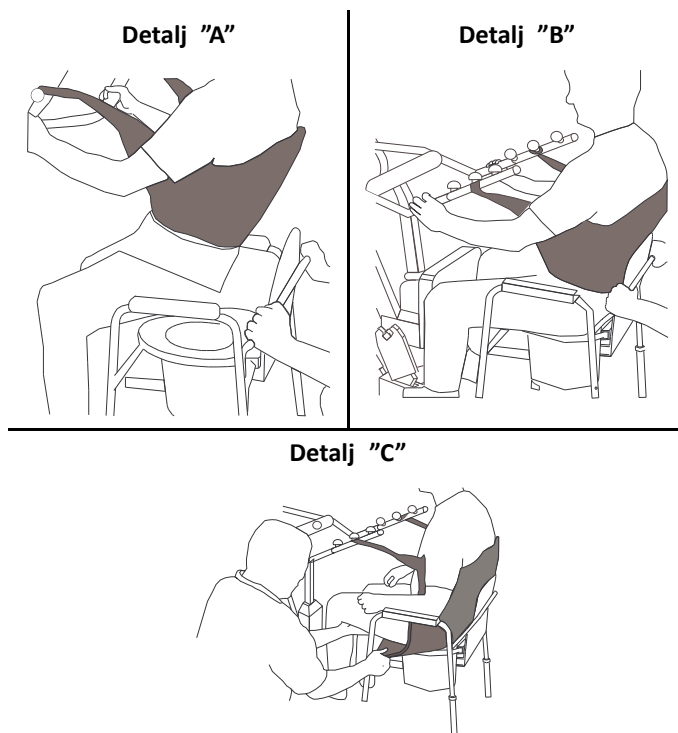


#### VARNING!

- Använd den lyftsele som rekommenderas av brukarens vårdpersonal i syfte att säkerställa brukarens komfort och säkerhet.
- Lås INTE bakhjulen på stålyften när en patient lyfts upp. Detta kan få stålyften att tippa och skador på patienten och assistenterna kan uppstå.
- Stålyftens ben måste vara i det yttre ändläget för att ge högsta stabilitet och säkerhet. Om patienten är i en lyftsele och det blir nödvändigt att flytta igenom en smal passage, stäng då stålyftens ben endast för den tiden det tar att förflyttas igenom passagen. När stålyften kommit igenom passagen, sätt tillbaka benen till det yttre ändläget. Om benen på lyften måste fällas in så att stålyften kommer in under sängen bör du endast fälla in benen så länge som det krävs för att placera lyften över patienten och lyfta upp patienten ur sängen. När stålyftens ben inte längre befinner sig under sängen ska benen återigen fällas ut till det yttre ändläget.
- Kontrollera lyftselsens fästen varje gång den tas bort och sätts på igen för att säkerställa att den sitter fast ordentligt innan patienten förflyttas från sängen eller stolen.

Att en assistent ska använda utrustningen ensam är ett beslut som måste tas av sjukvårdspersonal för varje individuellt fall.

### 6.2 Förflyttning till en hygienstol



#### VARNING!

- Invacare rekommenderar att bakhjulen endast låses när lyftselen placeras runt eller tas bort från patienten.

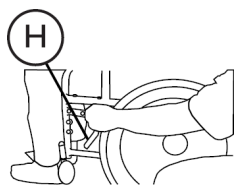
1. Lyft patienten från sidan av sängen.
2. Tryck på UPP-knappen på manöverdosan för att lyfta upp patienten tillräckligt högt komma över hygienstolens armstöd. Patienten kommer att stödjas av stålyften.
3. Vägled patienten till hygienstolen. Detta kan kräva två assistenter.
4. Tryck på knappen med pil nedåt för att sänka ner patienten i hygienstolen.
5. Lås bakhjulen på stålyften.
6. Gör något av följande beroende på vilken lyftsele det gäller:
  - Stålyftsele - Lossa av selen från fästpunkterna på lyften.
  - Förflyttningstålyftsele -
    - a. Lossa lyftselen från de nedre fästpunkterna på stålyften.
    - b. Lyft upp patientens ben och ta bort benstödet från patienten.
    - c. Om så önskas, lossa lyftselen från de övre fästpunkterna på stålyften.
7. Instruera patienten att lyfta av fötterna från fotplattan.
8. Ta bort lyftselen från patienten.
9. Lås upp bakhjulen och dra bort stålyften från hygienstolen.
10. När patienten är klar kontrollerar du återigen att lyftselen är fäst som den ska.



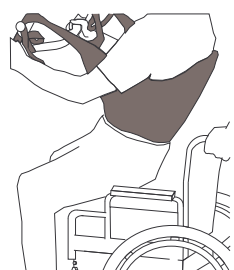
Patienten kan ha kvar övre delen av lyftselen medan hygienstolen används.

## 6.3 Förflyttning till en rullstol

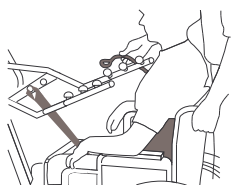
Detalj "A"



Detalj "B"



Detalj "C"



 **H** = Rullstolens broms.

1. Säkerställ att lyftens ben med patienten i lyftselen är i öppet läge.
2. Placera rullstolen på rätt plats.
3. Lås parkeringsbromsarna för att förhindra att rullstolen rör på sig (Detalj A).



### VARNING!

– Placera INTE patienten i rullstolen om parkeringsbromsarna inte är låsta. Rullstolens bromsar **MÅSTE** vara låsta innan patienten sänks ner i rullstolen för transport. Annars kan skador uppstå.

4. Placera patienten över rullstolen (Detalj B)

5. Tryck på knappen med pil nedåt och sänk ned patienten i rullstolen.



### VARNING!


– Lås bakhjulen **ENDAST** när lyftselen placeras runt eller tas bort från patienten. (Stålyft eller förflyttningstålyft) Annars kan skador uppstå.

6. Lås bakhjulen.
7. Lossa av lyftselen från alla fästpunkter på lyften (Detalj C).
8. Instruera patienten att lyfta bort sina fötter från fotplattan. Assistera patienten om det behövs
9. Ta bort lyftselen från patienten.
10. Lås upp bakhjulen och dra bort stålyften från rullstolen.

## 6.4 Förflyttning till en säng




Den lägre tyngdpunkten gör lyften mer stabil och lättrorlig och den gör även att patienten känner sig säkrare.

1. Placera patienten så långt in över sängen som möjligt.
  -  Om patienten flyttas från en yta som är lägre än sängen trycker du på knappen med uppåtpilen för att höja upp patienten ovanför sängens nivå. Patienten ska endast höjas upp så långt att han/hon inte vilar mot sängen och så att hela patientens vikt hålls upp av lyften.
2. Tryck på knappen med pil nedåt och sänk ned patienten i sängen.



### VARNING!


– Invacare rekommenderar att bakhjulen **ENDAST** låses när lyftselen placeras runt eller tas bort från patienten.

3. Lås bakhjulen.
4. Lossa stålyften eller förflyttningsselen från alla fästpunkter på stålyften.
5. Instruera patienten att lyfta bort sina fötter från fotplattan.
  -  Assistera patienten om det behövs
6. Avlägsna stålyften eller förflyttningstålyften från patienten.
7. Lås upp bakhjulen och dra bort stålyften från sängen.

## 7 Felsökning

### 7.1 Felsökningstabell

TECKEN	PROBLEM	LÖSNING
Högljudda gångjärn eller ett skrapande ljud från dessa.	Smörjning behövs	Se 8.5 Smörja lyften, sida 214
Det elektriska ställdonet fungerar ej när knappen trycks in.	Anslutningen till handkontrollen eller ställdonet är lös.	Anslut manöverdosans eller ställdonets kontakt. Se till att kontakterna sitter rätt och är ordentligt insatta.
	Batteriet håller på att ta slut.	Ladda batterierna. Se 4.7 Ladda batteriet, sida 205
	RÖD nödstoppsknapp INTRYCKT.	Vrid den RÖDA nödstoppsknappen MEDURS tills den hoppar ut.
	Batteriet är inte korrekt anslutet till elektronikboxen.	Koppla in batteriet i elektronikboxen igen. Se 4.7 Ladda batteriet, sida 205
	Bläcken är skadade.	Byt ut batteripacken. Se 4.7 Ladda batteriet, sida 205
	Det elektriska ställdonet behöver service eller så är belastningen för hög.	Se 8.7 Byta ut det elektriska ställdonet, sida 214 Kontakta din hjälpmedelscentral eller Invacare-representant.
Ovanligt ljud från lyftarmens ställdon.	Ställdonet är slitet eller skadat, eller så är axeln böjd.	Se 8.7 Byta ut det elektriska ställdonet, sida 214 Kontakta din hjälpmedelscentral eller Invacare-representant.
Lyftarmarna sänks inte från det översta läget.	Lyftarmarna kräver en minsta belastning i det översta läget.	Dra lyftarmarna lätt nedåt.
Benen öppnas eller stängs inte som de ska.	Basen kan behöva justeras.	Se 8.6 Justera bromsarna, sida 214

 Om problemen inte kan åtgärdas efter föreslagen lösning kontaktar du din hjälpmedelscentral eller Invacare.

## 8 Underhåll

### 8.1 Checklista för underhåll och säkerhetsbesiktning



#### VARNING!

- Underhåll får ENDAST utföras av kvalificerad personal.
- En kompetent person måste säkerställa att produktens styrka och stabilitet förblir tillräcklig för alla uppgifter om delar byts ut.
- Dra INTE åt monteringshårdvaran för hårt då detta kan skada monteringsfästena.



Följ de underhållsrutiner som beskrivs i den här bruksanvisningen för att personlyften alltid ska kunna hållas i drift.

Invacares personlyft är utformad för att erbjuda en så säker, effektiv och tillfredsställande service som möjligt med minsta möjliga skötsel och underhåll.

Alla delar av Invacare-lyften är tillverkade av stål med hög kvalitet, men kontakt mellan metalldelar leder till slitage vid betydande användning.

Varken hjulen eller bromsarna kräver någon justering eller något annat underhåll än rengöring, smörjning och kontroll att axel- och vridledsbultarna är åtdragna. Ta bort allt skräp och dylikt från hjulen och infästningarna. Om några delar är slitna ska de OMEDELBART bytas ut.

Om du är osäker på säkerheten hos någon av lyftens delar kontakta din hjälpmedelscentral OMEDELBART.

Regelbundet underhåll av personlyftar och tillbehör är nödvändigt för att säkerställa att allt fungerar som det ska. Personen som ansvarar för personlyften ansvarar även för att säkerställa att detta underhåll genomförs.

Efter de första 12 månadernas användning så ska alla svängpunkter och fästnanordningar besiktas för slitage. Om metallen är sliten så MÅSTE delarna bytas ut. Utför därefter denna besiktning var sjätte månad.

Datum för besiktning:	Initialer:
<b>HJULUNDERREDE</b>	
<input type="checkbox"/> Kontrollera om något material saknas. <input type="checkbox"/> Underredet kan enkelt fällas ut/in. <input type="checkbox"/> Kontrollera att hjul- och axelbultarna är åtdragna. <input type="checkbox"/> Kontrollera att hjulen vrider sig och rullar jämnt. <input type="checkbox"/> Kontrollera hjulen och ta bort smuts från dem. <input type="checkbox"/> Kontrollera pivåleder beträffande slitage.	
<b>LYFTSELE OCH MONTERINGSMATERIAL</b>	
<input type="checkbox"/> Kontrollera lyftselen alla fästen varje gång den används för att säkerställa att den fästs på rätt sätt och för att garantera patientens säkerhet. <input type="checkbox"/> Kontrollera lyftselen material beträffande slitage. <input type="checkbox"/> Kontrollera banden beträffande slitage. <input type="checkbox"/> Kontrollera sömmarna.	

#### ELEKTRISK STÄLLDONSENHET

- Kontrollera beträffande läckage.
- Kontrollera materialet på masten, lyftarmen och underredet.
- Kontrollera beträffande slitage eller dåligt skick. Kontakta Invacare vid skada.
- Kör en cykel för att kontrollera att det elektriska ställdonet fungerar tyst och smidigt.

#### LYFTARM OCH INFÄSTNING

- Kontrollera all utrustning och alla fästpunkter.
- Kontrollera om böjning eller deformation förekommer.
- Kontrollera lyftarmens skruvförband beträffande slitage.
- Säkerställ att lyftarmen är centrerad mellan underredets ben.
- Kontrollera pivåleder beträffande slitage.
- Kontrollera hakarna för lyftselen beträffande slitage eller deformation.

#### MAST

- Masten måste sitta fast ordentligt i lyftarmen.
- Kontrollera om böjning eller deformation förekommer.
- Kontrollera pivåleder beträffande slitage.

#### RENGÖRING

- Vid behov.

### 8.2 Rengöra lyftselen och lyften



#### VARNING!

- Efter VARJE tvätt (i enlighet med instruktionerna på lyftselen) måste lyftselen besiktas beträffande slitage, revor och sömmar som gått upp. Kassera eventuell patientlyftsele som möter dessa kriterier OMEDELBART.

#### Rengöra lyftselen

Lyftselen bör tvättas regelbundet i en vattentemperatur som inte överstiger 95°C och med en biologisk lösning. Följ noga tvätthanvisningarna i bruksanvisningen för lyftselen.

#### Rengöra och desinficera lyften

För att förhindra överföring av smitta måste lyften rengöras och desinficeras efter varje användning.

Det enda som krävs för att rengöra personlyften är en mjuk trasa som fuktats med vatten och lite mildt rengöringsmedel. Lyften kan rengöras med rengöringsmedel som inte repar.

Använd aldrig syra, basiska ämnen eller lösningsmedel för att rengöra lyften. Torka lyften noga efter rengöring.

Motorerna, elektronikenheten och monteringsdelarna kan skadas om lyften rengörs på något annat sätt än det som anges ovan.

Lyften måste torkas av med en fuktig, ordentligt urvriden trasa med vanligt desinfektionsmedel för hemmabruk. Använd endast sådana desinfektionsmedel som har godkänts av inrättningen.

### 8.3 Återanvändning

Produkten kan återanvändas. Hur många gånger den högst kan återanvändas beror på dess skick.

För att förhindra att infektioner överförs måste personlyften och lyftselen rengöras efter varje användning. Innan den återanvänds, se 8.2 Rengöra lyftselen och lyften, sida 213

## 8.4 Kontrollera eventuella skador och slitage.

Det är viktigt att alla delar som belastas, t.ex. lyftselar, lyftarmen och pivåleder för selen, kontrolleras beträffande tecken på sprickor, nötning, deformation eller dåligt skick. Byt ut alla defekta delar omgående och se till att lyften inte används förrän reparationerna har utförts.

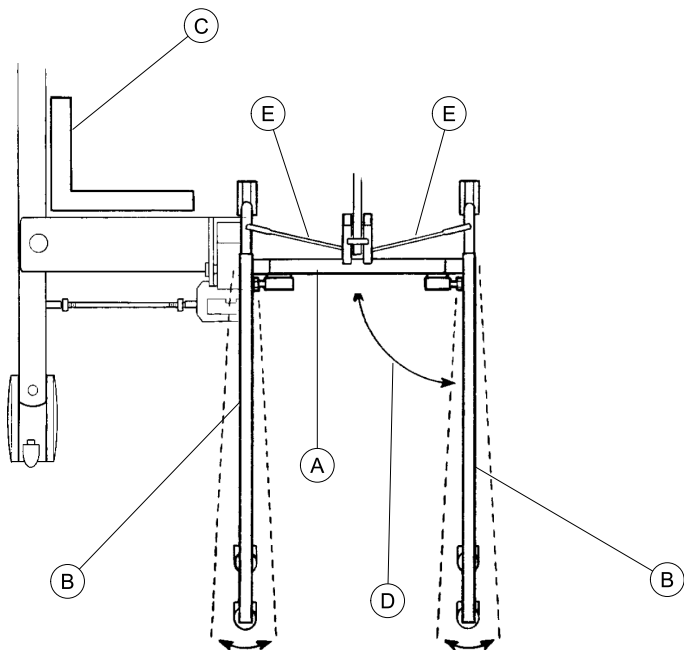
## 8.5 Smörja lyften

Invacares lyft är utformad så att den behöver minsta möjliga underhåll. Den bör dock kontrolleras och smörjas var sjätte månad för att säkerställa fortsatt säkerhet och tillförlitlighet.

Håll lyft och lyftselar rena och i gott skick. Alla defekter ska antecknas och rapporteras till hjälpmedelscentralen så snart som möjligt.

Hjulen MÅSTE vrida sig och rulla jämnt. Ett lätt smörjmedel (vattenresistent självsörjande smörjmedel) kan appliceras på hjulens infästning en gång per år. Applicera oftare om hjulen utsätts för extremt fuktiga förhållanden.

## 8.6 Justera bromsarna



Inställningen av underredet (A) ska inte kräva något annat underhåll än justering av länkmarna.

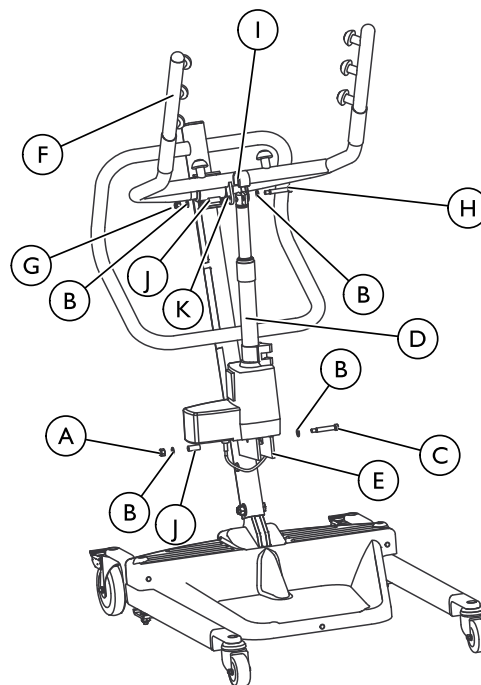
- ! Skador på lyften kan uppstå.  
• Benen måste föras ihop helt innan länkmarna justeras.

1. Fäll in benen helt. Se 4.2.1 Fälla in/ut benen manuellt, sida 204
2. Kontrollera att benen (B) är vinkelräta när de är infällda.

3. Placera en vinkelhake (C) mellan benen och underredet för att se att vinkeln mellan dem är 90° (D).
4. Justera länkmarna (E) så att vinkeln är 90°.

- ! Skador på lyften kan uppstå.  
– Ställ INTE in länkmarna så att benens vinkel är mindre än 90°.

## 8.7 Byta ut det elektriska ställdonet



(A) Bottenmutter	(G) Toppmutter
(B) Mutterbricka	(H) Bult
(C) Axelbult	(I) Fäste
(D) Elektriskt ställdon	(J) Bussning
(E) Mastens monteringsfäste	(K) Lyftarmens monteringsfäste
(F) Lyftarmen	

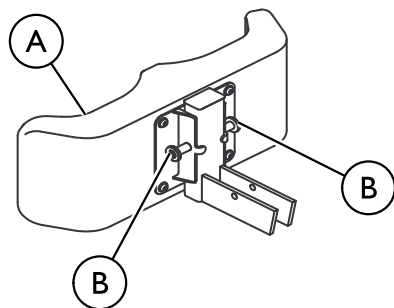


### ! VARNING!

– Dra INTE åt monteringsmaterialets skruvar för hårt. Då skadas monteringsfästet.

1. Ta bort bottenmutter, mutterbrickor, axelbult och bussning som fäster det elektriska ställdonet till mastens monteringsfäste.
2. Vila lyftarmen på din axel och ta bort toppmuttern, bulten, bussningen (om tillämpligt) och mutterbrickor från lyftarmens monteringsfäste.
3. Ta loss det elektriska ställdonet.
4. Utför STEG 1–3 i omvänd ordning vid montering av det elektriska ställdonet.

## 8.8 Justera höjden för underbensstödet




Ⓐ Underbensstöd	Ⓑ Låssprintar
-----------------	---------------



### WARNING!

- Justera ALDRIG underbensstödet när patienten är i stående position.
- Försök ALDRIG justera underbensstödet när lyften är i rörelse.
- Se ALLTID till att låssprintarna är placerade i samma höjd före användning.


1. Välj en höjdinställning som kommer vara bekväm för patienten och tillhandahåll nödvändigt stöd.
  -  Underbensstödet bör placeras så att underbenet är i kontakt med skyddet.
2. Använd båda händerna och dra båda låssprintarna utåt samtidigt.
3. Placera underbensstödet i önskad höjd och frigör låssprintarna in i motsvarande inriktningshål.
4. Kontrollera att båda låssprintarna är aktiverade.

## 9 Teknisk Data

### 9.1 RPS3501E och RPS3501FR Personstålyft

Höjd vid lyftselens fäste - MAX	168 cm
Höjd vid lyftselens fäste - MIN	102 cm
Underredets bredd (öppen)	94 cm
Underredets bredd (stängd)	66 cm
Underredets höjd (spelrum)	11,5 cm
Underredets längd	90 cm
Total höjd	125 cm
Total längd	99 cm
Total bredd	65,5 cm
Hjulstorlek (FRAM/BAK):	8 cm/13 cm
Alternativ för lyftsele:	Uppresningssele eller uppresningssele med benstöd.
Lyftselens material	Polyester
Maximal viktbegränsning (SWL) (patient + lyftsele)	159 kg (25 sten)
Total vikt (vikt ur kartong)	49 kg (8 sten)
Batteri (spänningsutgång)	24V DC mb max. 240 VA (RCHBL)
Laddarens inspanning (strömförsörjning)	100–240 V AC 50/60 Hz
Laddarens utgång/laddningstid	29,5 V DC 2,9 Ah max. 6 timmar
Audiovisuellt alarm för lågt batteri	Ja

Motor-säkerhetsutrustning	Klämskydd
*ca Ungefärligt antal lyft per laddning (arbetsförmåga)	*100-200 cykler per laddning
Högsta ström in	Högst 400 mA
Drifttemperatur	5° till 40 °C
Luftfuktighet	20–90 % vid 30 °C, icke-kondenserande
Ljudnivå	< 50 Db
Atmosfäriskt tryck	700 till 1 060 hPa
Förvarings-temperatur	över 0 °C
Luftfuktighet vid förvaring	mindre än 60 %
Atmosfäriskt tryck vid förvaring	700–1 060 hPa
Skyddsklass, elektronikenhet	IPX4
Skyddsklass, manöverdosa	IPX4
Skyddsklass, motor	IPX4
Isoleringsklass	Utrustning av typ BF – patientanslutna delar
Intermittens	10 %, max 2 minuter/18 minuter
Batterikapacitet	2,9 Ah
Manuell nödsänkning	Ja
Elektrisk nödsänkning/-höjning	Ja/ja
Förväntad livslängd	8 år
Spärningshastighet	Lyften uppfyller krav gällande "hastigheten för lyft och sänkning" i ENISO10535 (<0.15 m/s under maximal last och <0.25 m/s avlastad)

 \*Varierar med belastning och drag.









## Invacare Sales Companies

### Ireland:

Invacare Ireland Ltd,  
Unit 5 Seatown Business Campus  
Seatown Road, Swords, County  
Dublin  
Tel : (353) 1 810 7084  
Fax: (353) 1 810 7085  
ireland@invacare.com  
www.invacare.ie

### United Kingdom:

Invacare Limited  
Pencoed Technology Park, Pencoed  
Bridgend CF35 5AQ  
Tel: (44) (0) 1656 776 222  
Fax: (44) (0) 1656 776 220  
uk@invacare.com  
www.invacare.co.uk

### Danmark:

Invacare A/S  
Sdr. Ringvej 37  
DK-2605 Brøndby  
Tel: (45) (0)36 90 00 00  
Fax: (45) (0)36 90 00 01  
denmark@invacare.com  
www.invacare.dk

### Deutschland:

Invacare GmbH,  
Alemannenstraße 10  
D-88316 Isny  
Tel: (49) (0)7562 700 0  
Fax: (49) (0)7562 700 66  
kontakt@invacare.com  
www.invacare.de

### Österreich:

Invacare Austria GmbH  
Herzog Odilostrasse 101  
A-5310 Mondsee  
Tel: (43) 6232 5535 0  
Fax: (43) 6232 5535 4  
info-austria@invacare.com  
www.invacare.at

### Schweiz / Suisse / Svizzera:

Invacare AG  
Benkenstrasse 260  
CH-4108 Witterswil  
Tel: (41) (0)61 487 70 80  
Fax: (41) (0)61 487 70 81  
switzerland@invacare.com  
www.invacare.ch

### España:

Invacare SA  
c/Areny s/n, Polígon Industrial de  
Celrà  
E-17460 Celrà (Girona)  
Tel: (34) (0)972 49 32 00  
Fax: (34) (0)972 49 32 20  
contactsp@invacare.com  
www.invacare.es

### France:

Invacare Poirier SAS  
Route de St Roch  
F-37230 Fondettes  
Tel: (33) (0)2 47 62 64 66  
Fax: (33) (0)2 47 42 12 24  
contactfr@invacare.com  
www.invacare.fr

### Italia:

Invacare Mecc San s.r.l.,  
Via dei Pini 62,  
I-36016 Thiene (VI)  
Tel: (39) 0445 38 00 59  
Fax: (39) 0445 38 00 34  
italia@invacare.com  
www.invacare.it

### Nederland:

Invacare BV  
Galvanistraat 14-3  
NL-6716 AE Ede  
Tel: (31) (0)318 695 757  
Fax: (31) (0)318 695 758  
nederland@invacare.com  
www.invacare.nl

### Belgium & Luxemburg:

Invacare nv  
Autobaan 22  
B-8210 Loppem  
Tel: (32) (0)50 83 10 10  
Fax: (32) (0)50 83 10 11  
belgium@invacare.com  
www.invacare.be

### Norge:

Invacare AS  
Grensesvingen 9, Postboks 6230,  
Etterstad  
N-0603 Oslo  
Tel: (47) (0)22 57 95 00  
Fax: (47) (0)22 57 95 01  
norway@invacare.com  
www.invacare.no

### Portugal:

Invacare Lda  
Rua Estrada Velha, 949  
P-4465-784 Leça do Balio  
Tel: (351) (0)225 1059 46/47  
Fax: (351) (0)225 1057 39  
portugal@invacare.com  
www.invacare.pt

### Suomi:

Camp Mobility  
Patamäenkatu 5, 33900 Tampere  
Puhelin 09-35076310  
info@campmobility.fi  
www.campmobility.fi

### Sverige:

Invacare AB  
Fagerstagatan 9  
S-163 53 Spånga  
Tel: (46) (0)8 761 70 90  
Fax: (46) (0)8 761 81 08  
sweden@invacare.com  
www.invacare.se



Invacare Portugal, Lda  
Rua Estrada Velha 949  
4465-784 Leça do Balio  
Portugal

