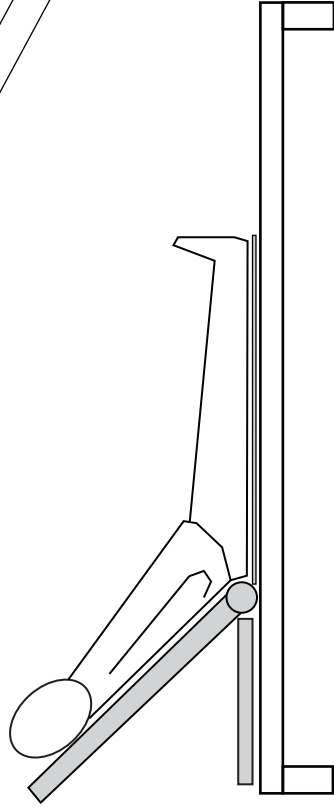
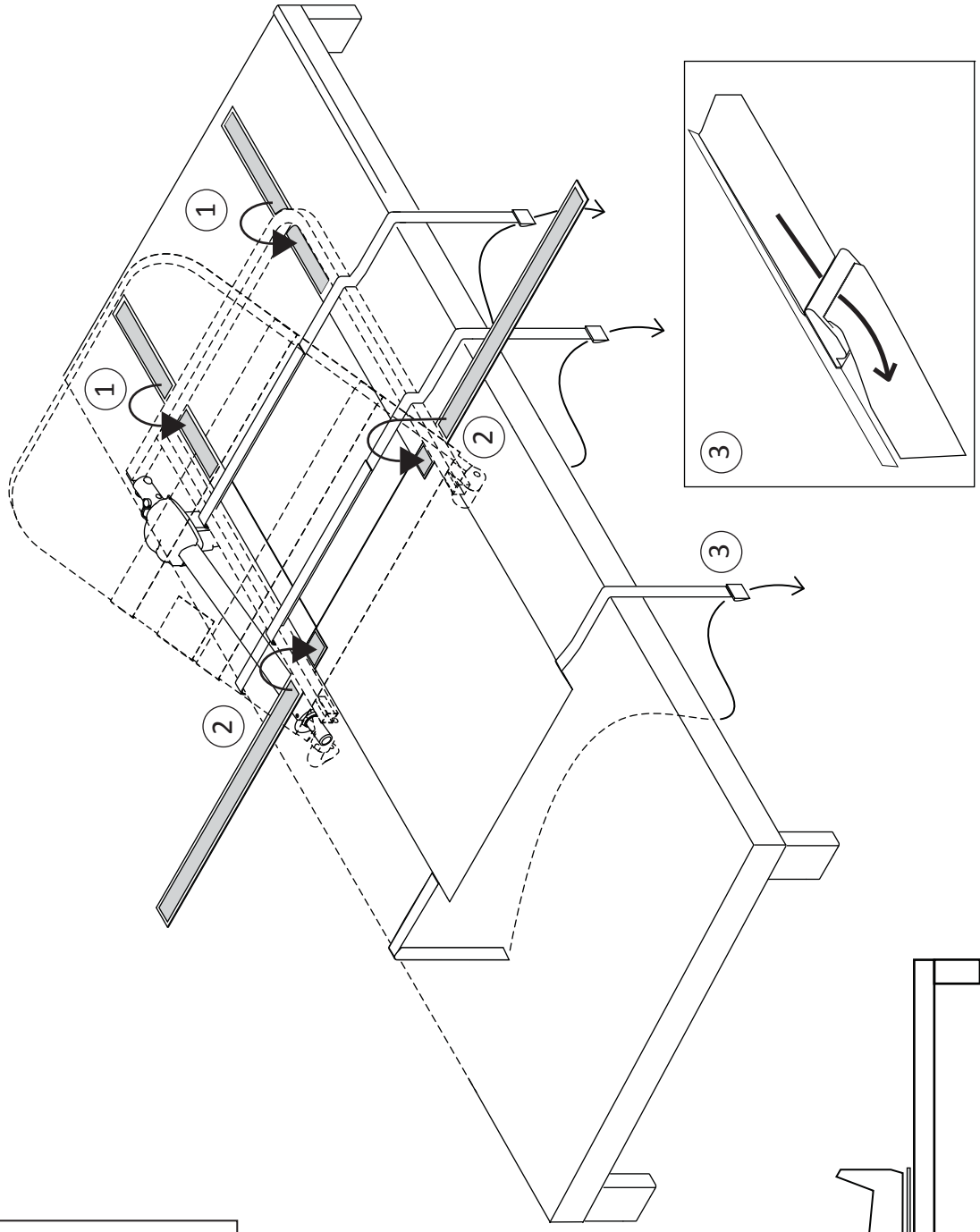
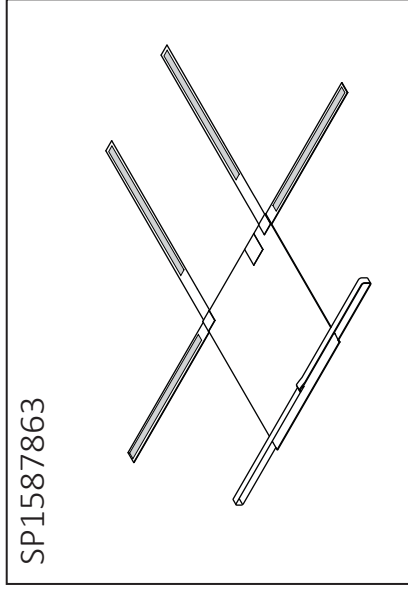


SP1587863

Invacare® Anti-sliding accessory for Bedco



Invacare Rea AB  
Våxjövägen 303  
SE-343 71 Diö  
Sweden

