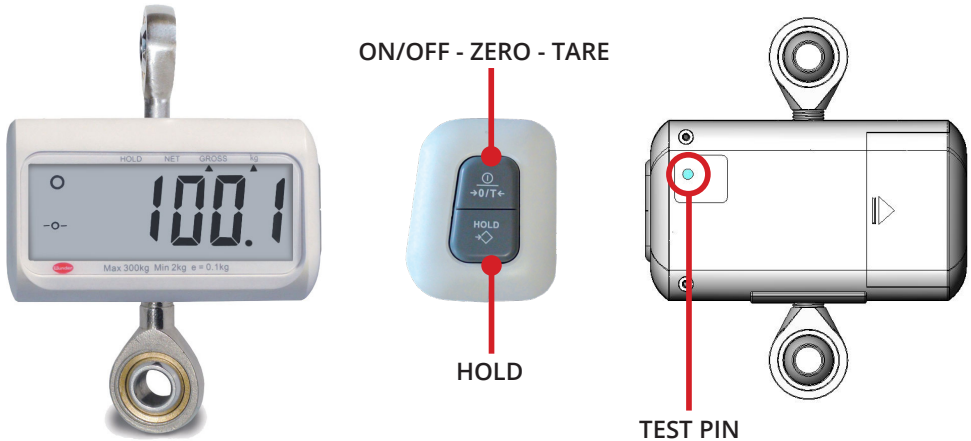




EN

## DYNAMOMETER model: **RS**

 Please read this manual carefully before using the instrument

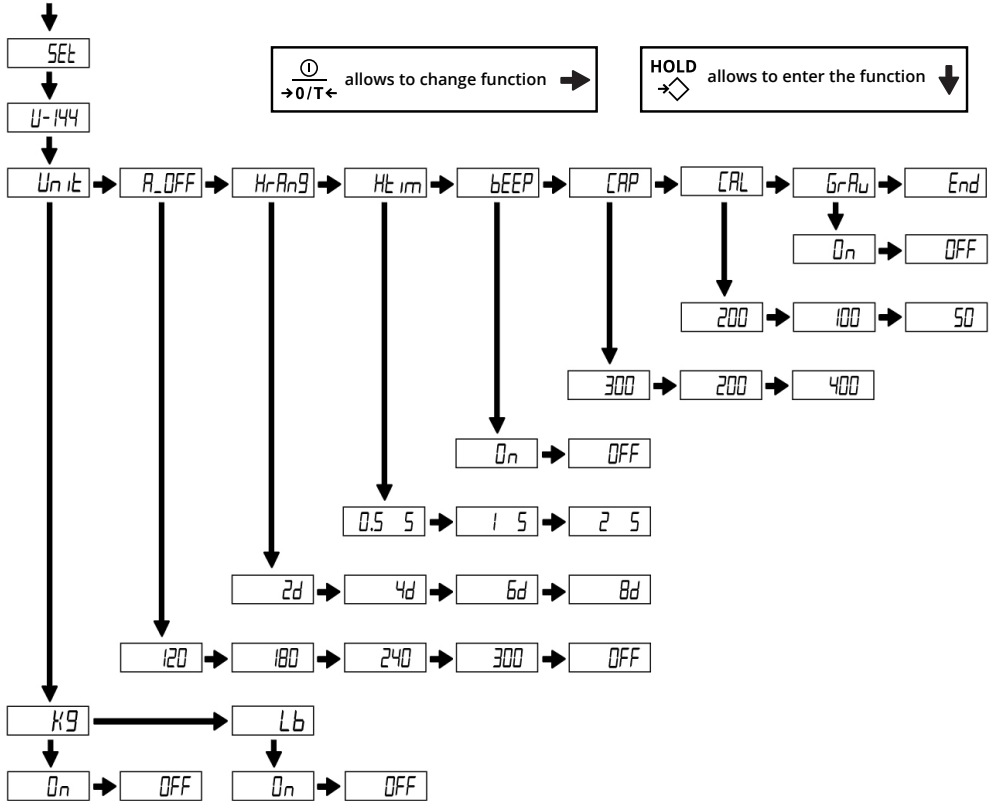


## CALIBRATION PROCEDURE

1. Press [ON/OFF] key to turn ON the instrument.
2. Press one time the PIN on the back and the display shows Unit.
3. Press again the PIN on the back and the display shows the gravity.
4. Press [HOLD], display shows internal points.
5. Press [ON/OFF] key and the display shows "0".
6. Load 200kg on the lower hook and press [ON/OFF] once stable weight.
7. Display shows CAL followed by the calibration weight just loaded.
8. Calibration is now completed

# INTERNAL SETTINGS

Press Test Pin



⓪ allows to change function →  
→ 0/T←

HOLD allows to enter the function ↓  
→◇

<b>Unit</b>	Unit Weight : kg / lb
<b>A_OFF</b>	Auto Off Time : 120s / 180s / 240s / 300s / Off
<b>HrAnG</b>	Hold range : 2d / 4d / 6d / 8d
<b>HtIm</b>	Setting time for locking weights : 0,5 / 1 / 2 seconds
<b>bEEP</b>	Buzzer : On / Off
<b>CAP</b>	Capacity : 300kg / 200kg
<b>CARL</b>	Calibration weight : 200kg / 100kg / 50kg
<b>GrAu</b>	Gravity compensation : On / Off

## GRAVITY SETTINGS

1. Press [**ON/OFF**] key to turn ON the instrument.
2. Press one time the **PIN** and wait until the display shows Unit .
3. Press again the **PIN** and the display shows the gravity.
4. Press [**ON/OFF**] to increase the value. Once the value reach 9.899 it will go back to 9.700, it's not possibile to decrease the value.
5. Once the Gravity is set, press [**HOLD**] and check if the scale is calibrated.
6. If it's not calibrated please re-do calibration procedure.