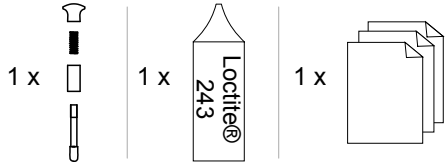
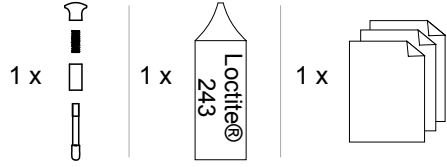


SP1558549

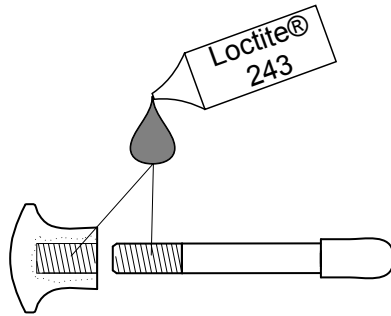


SP1552792

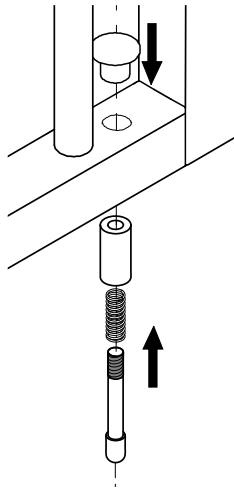


Invacare® ScanBeta NG

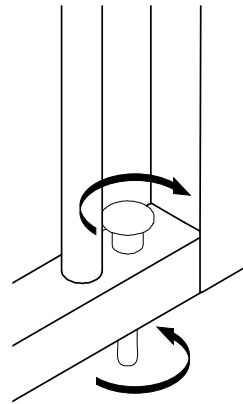
1.



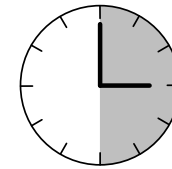
2.



3.



4.



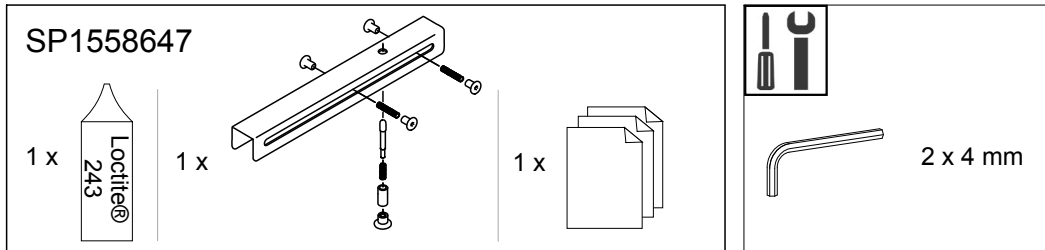
> 6h



Invacare Rea AB  
Växjövägen 303  
SE-343 71 Diö  
Sweden

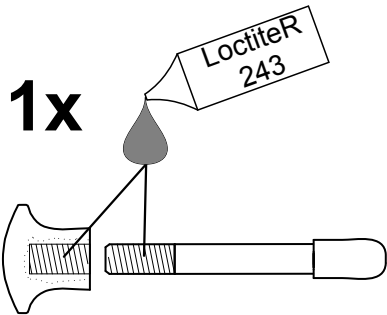


Yes, you can.®

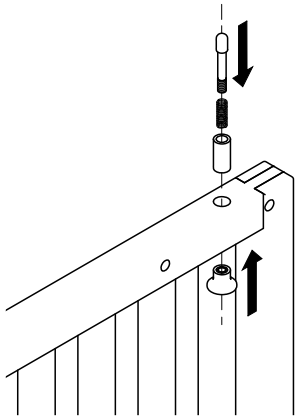


Invacare® ScanBeta NG

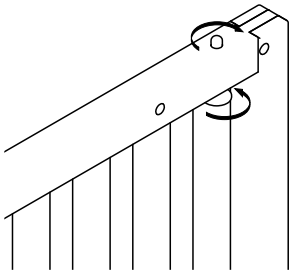
1.



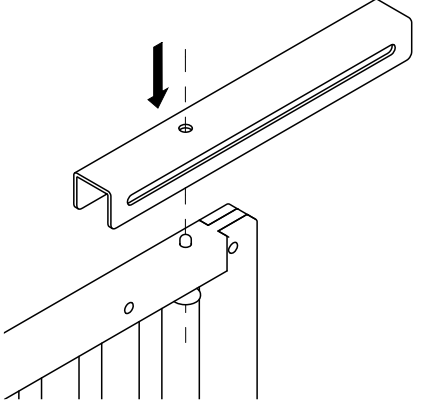
2.



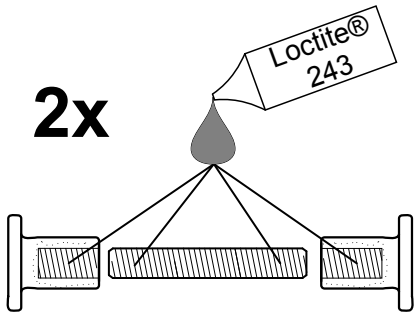
3.



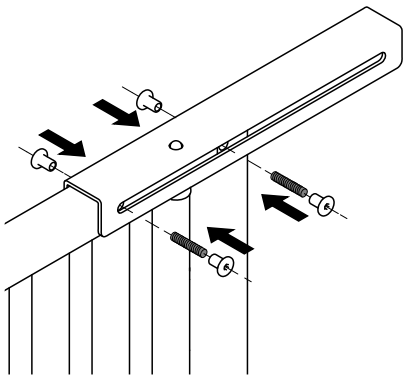
4.



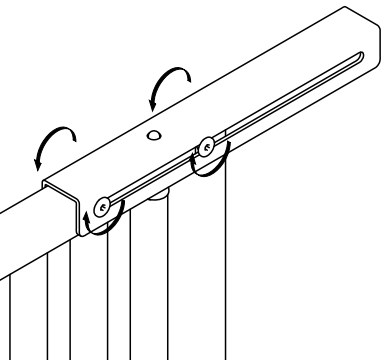
5.



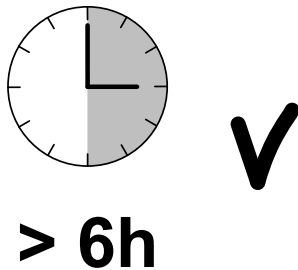
6.




7.



8.



 Invacare Rea AB  
Växjövägen 303  
SE-343 71 Diö  
Sweden

