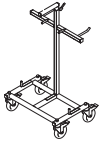
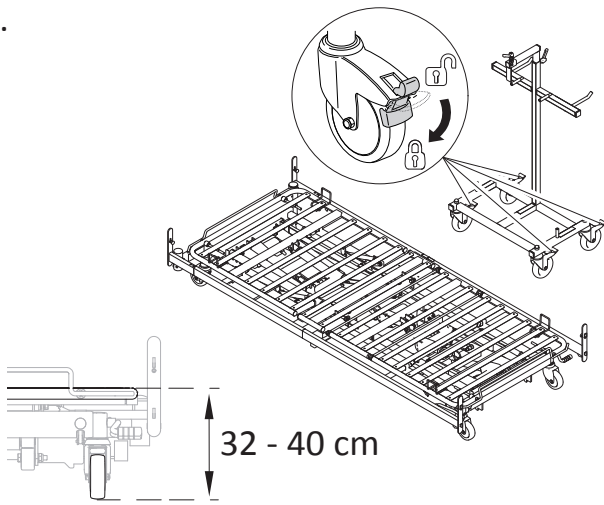


1649854

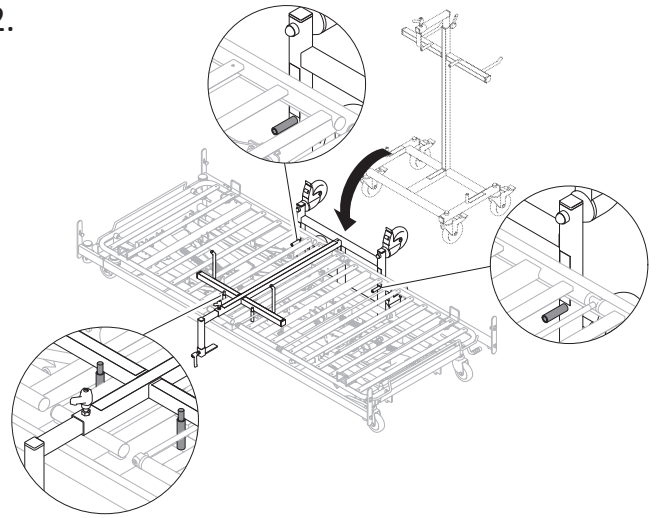


Invacare® NordBed™ Essential  
Invacare® NordBed™ Ultra  
Invacare® NordBed™ Optimo / Optimo Wide  
Invacare® SB® 755 / 755 Wide

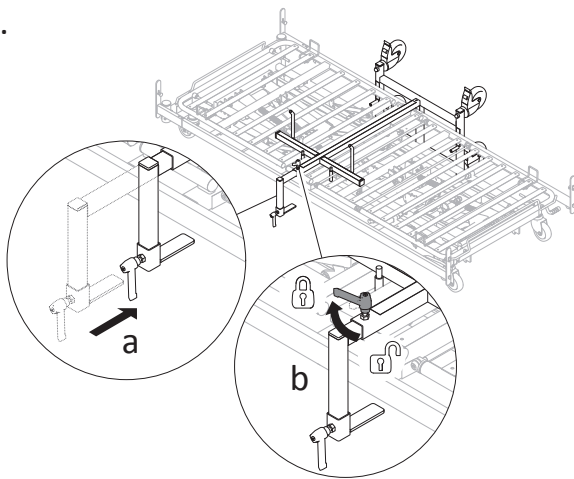
1.



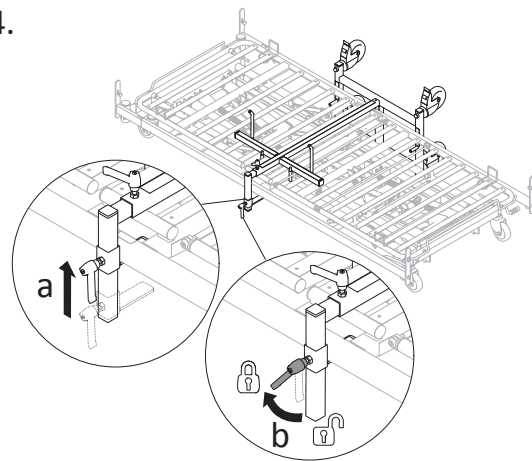
2.



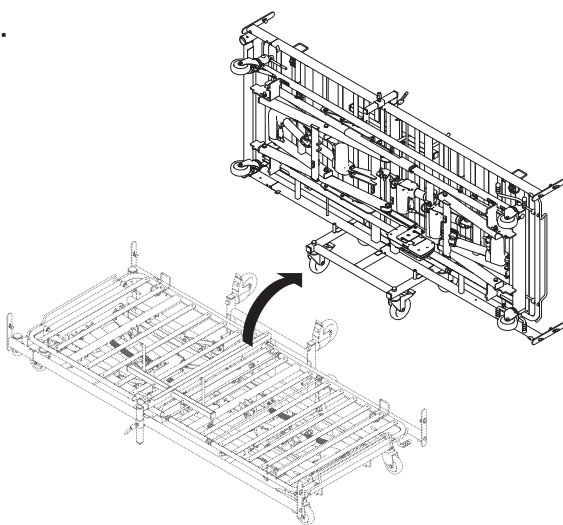
3.



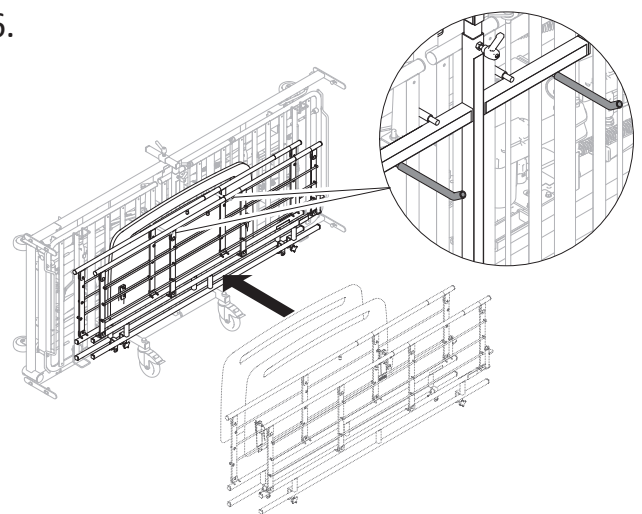
4.



5.



6.



Invacare REA AB  
Växjövägen 303  
SE-343 71 Diö  
Sweden

