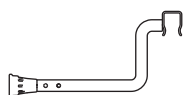
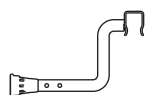


1653866

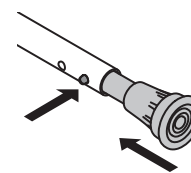
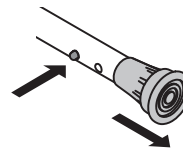
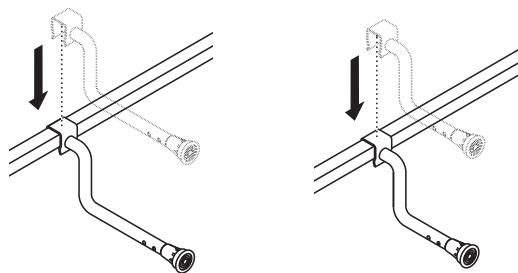
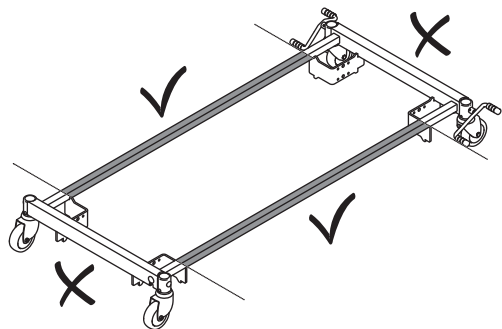


Invacare® NordBed™ Optimo Wide

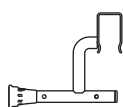
1653857



Invacare® NordBed™ Essential  
Invacare® NordBed™ Ultra  
Invacare® NordBed™ Optimo

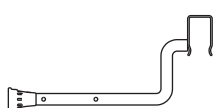


1653861

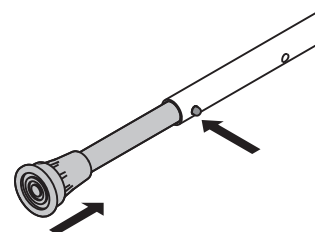
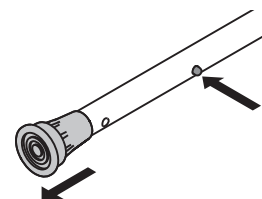
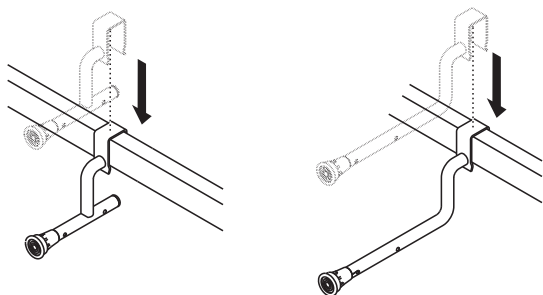
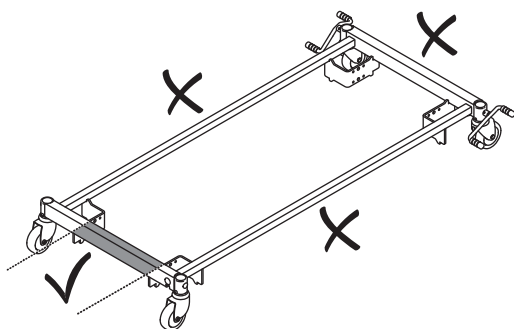


Invacare® NordBed™ Essential  
Invacare® NordBed™ Ultra

1653864



Invacare® NordBed™ Optimo  
Invacare® NordBed™ Optimo Wide



Invacare REA AB  
Växjövägen 303  
SE-343 71 Diö  
Sweden

