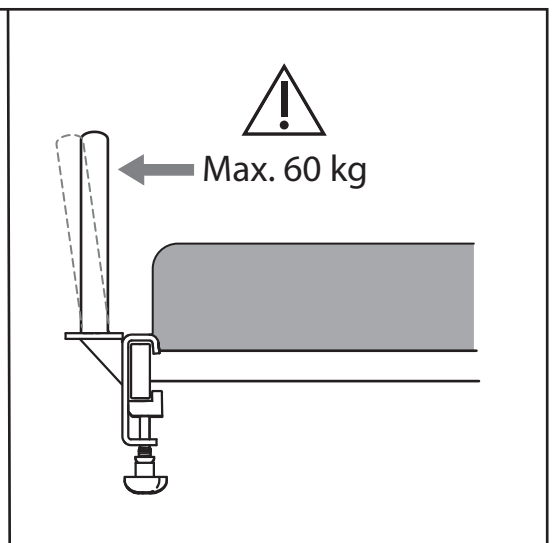
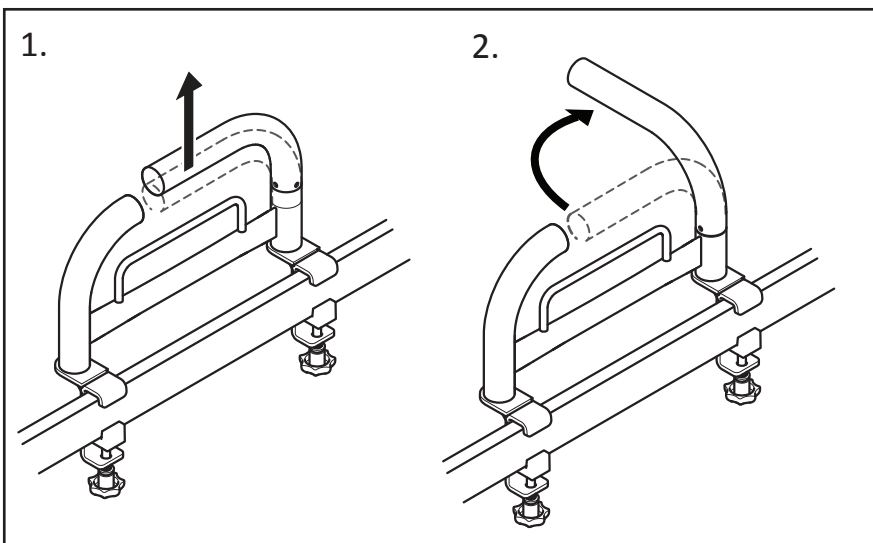
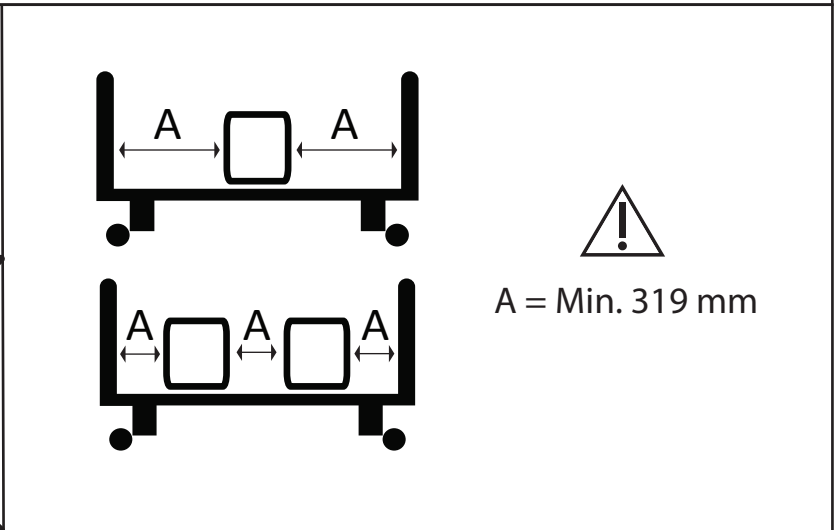
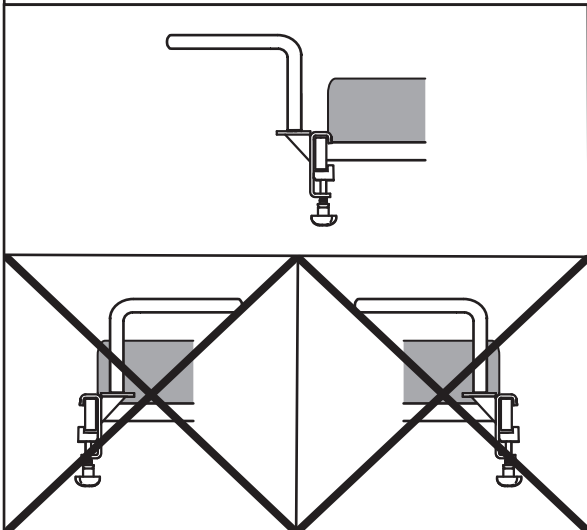
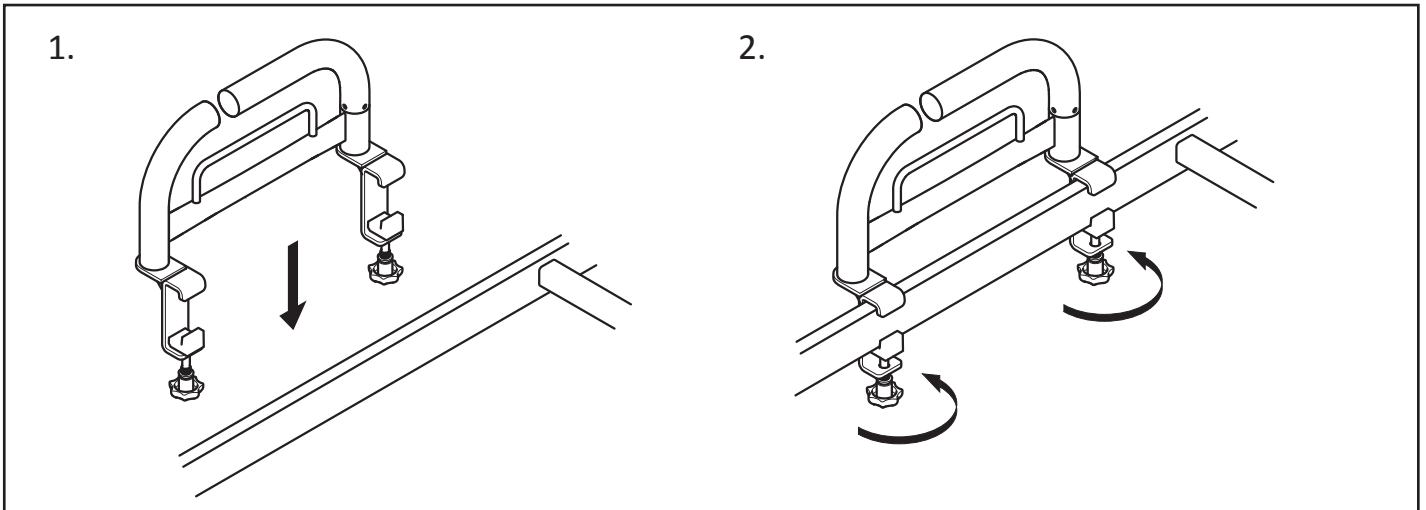


Invacare® NordBed™ Essential  
 Invacare® NordBed™ Ultra  
 Invacare® NordBed™ Optimo  
 Invacare® NordBed™ Optimo Wide



Invacare REA AB  
 Växjövägen 303  
 SE-343 71 Diö  
 Sweden

