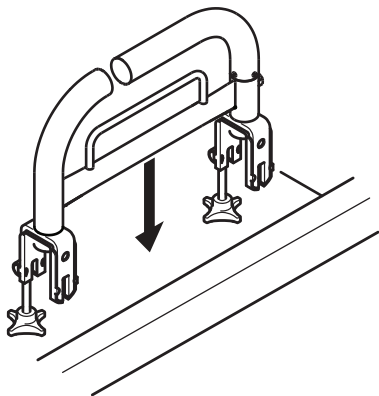


1529665-xxxx

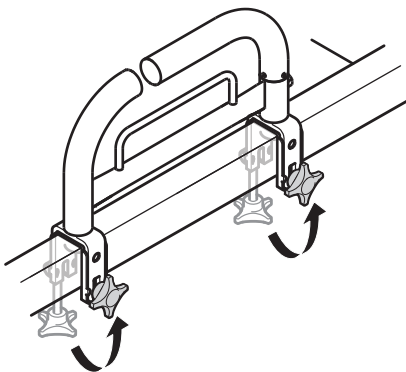
### Swivel Support Handle for Invacare Beds

Invacare® SB755 / SB750  
Invacare® SB400  
Invacare® Etude Plus  
Invacare® Medley Ergo  
Invacare® Alegio NG  
Invacare® Accent

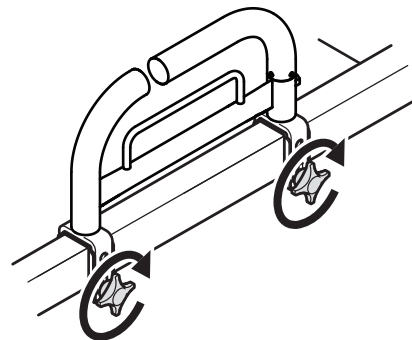
1.



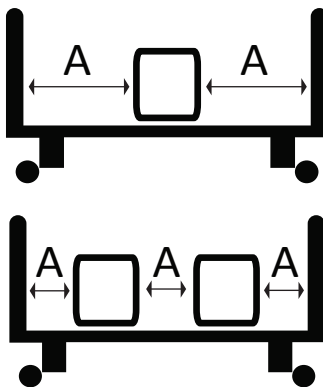
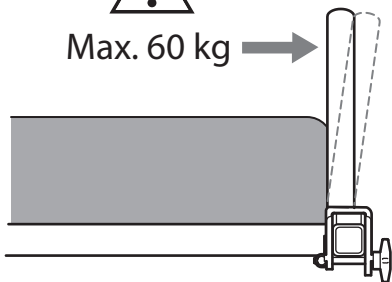
2.



3.

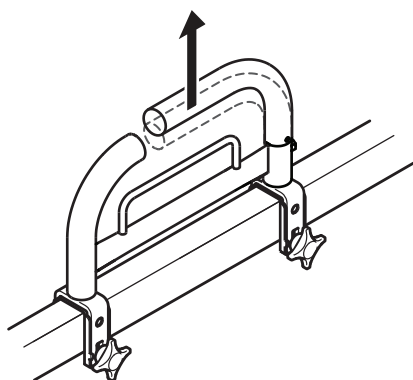


Max. 60 kg

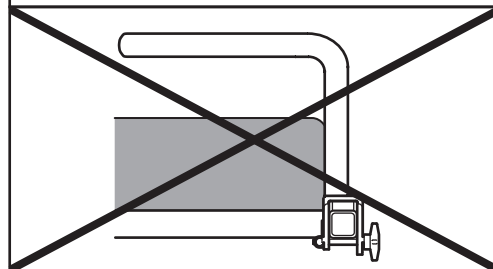
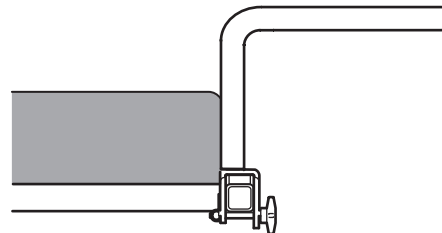
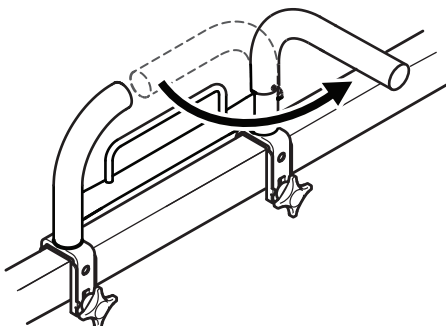


A = Min. 319 mm

1.



2.



Invacare REA AB  
Växjövägen 303  
SE-343 71 Diö  
Sweden

