

USER MANUAL

VICAIR®

ALLROUNDER 02



relief by air

EN	USER MANUAL	3
NL	GEBRUIKERSHANDLEIDING	9
DE	GEBRAUCHSANWEISUNG	15
FR	MANUEL DE L'UTILISATEUR	21
DA	BRUGERVEJLEDNING	27
SV	BRUKSANVISNING	33
NO	BRUKERMANUAL	39
FI	KÄYTTÖOHJE	44
ES	MANUAL DEL USUARIO	49
PT	MANUAL DE UTILIZADOR	55
IT	MANUALE UTENTE	61
GR	ΕΓΧΕΙΡΙΔΙΟ ΧΡΗΣΗΣ	67
HR	KORISNIČKI PRIRUČNIK	73
SL	UPORABNIŠKI PRIROČNIK	79
PL	INSTRUKCJA OBSŁUGI	84
ZH	用户手册	90
JP	ユーザーマニュアル	94

Dear customer,

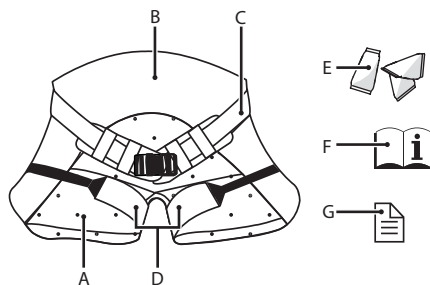
Thank you for choosing a Vicair® product. We are sure you will appreciate the simplicity, reliability and fantastic effect. For quick installation you can use the quick installation guide provided with your cushion. In addition, please read and understand this user manual before use. Save both the Quick Installation Guide and this manual for future reference.

For more information or to (re)order manuals, contact your country's distributor. Go to vicair.com for distributor information.

INTRODUCTION

The Vicair AllRounder O2 is a cushion that is strapped on to your body. It provides a high level of skin protection for persons with a high risk of developing pressure ulcers. This occasional use cushion is used to provide comfort and prevent pressure ulcers in situations that don't allow or require the use of a wheelchair. The Vicair AllRounder O2 is machine washable without removing the Harness base or SmartCells!

MAIN COMPONENTS



- A. Cushion
- B. Harness base
- C. Waist strap
- D. Leg straps
- E. SmartCells™, placed in 5 compartments
- F. User manual
- G. Quick Installation Guide

GENERAL PRODUCT SPECIFICATIONS

Product name:	Vicair AllRounder O2
Manufactured by:	Vicair B.V., The Netherlands
Warranty:	24 months
Weight:	0,75 kg / 1.65 lbs (size M)
Available sizes:	Small, Medium, Large
Used materials:	All latex free
Cushion:	Polyester mesh fabric
Cushion filling:	Air-filled SmartCells with low friction coating
Harness base:	Polyurethane coated nylon fabric. With a polyurethane foam layer inside, covered with a knitted elastic polyester 3D mesh fabric.

PRECAUTIONS AND SAFETY INSTRUCTIONS

The Vicair AllRounder O2 may only be used as described in this manual. The use of this product in any other way, is considered to be misuse.

Vicair B.V. cannot be held responsible for damage caused by misuse, improper use or negligence. Make sure that you read and understand this manual completely.

Warning! Your tailbone and pelvic bones should not touch the bottom of the cushion. Checking for “bottoming out” should be done during first use and after adjustments to the cushion filling.

Warning! Check your skin regularly for redness. Especially during first use, with extra sensitive skin and/or during extra rough use. These are all factors that might affect your skin tolerances. If redness occurs and does not disappear after 15 minutes, consult your therapist or technical advisor.

Warning! Vicair B.V. recommends to adjust the filling grade under the direct supervision of your therapist or technical advisor.

Warning! Do not fasten waist strap or leg straps too tightly. This may cause a reduction of blood flow and/or discomfort.

Warning! Wear a life jacket when using the Vicair AllRounder O2 during water sports activities.

Warning! In case of soiling with body fluids, and when transferring the product to another user, the product must be disinfected to avoid cross contamination.

Warning! Every three months, check the product for wear and deflated cells. In case of serious damage, or a large number of deflated cells, do not continue to use the product. Consult your dealer.

Caution! Do not use or leave the product close to a naked flame or a high temperature heat source.

Caution! Do not steam clean or autoclave the product. The product cannot withstand

excessive heat or pressure. When the given cleaning instructions are not followed, it is very likely that the product will age more rapid.

Caution! Do not use aggressive or abrasive cleaners, or sharp objects to clean the cushion.

Caution! Do not place the topside of the Vicair O2 cushion against the glass of the washer door.

INSTALLATION

Warning! Do not fasten waist strap or leg straps too tightly. This may cause a reduction of blood flow and/or discomfort.

Checking the size of the Vicair AllRounder O2

Measure the width of your hips to check if the size of the Vicair AllRounder O2 matches the size of your body. When seated, hold a tape measure horizontally above the widest point of your upper legs, closely against the front of your hips. Do not follow your leg contours, keep the tape measure straight. See Figure 1. Measure from A to B (or B to A).

Width A to B is:

- < 38 cm / < 15 inch = Vicair AllRounder O2 Size S (Small)
- 38 – 42,5 cm / 15- 16¾ inch = Vicair AllRounder O2 Size M (Medium)
- 43 - 48 cm / 17 - 19 inch = Vicair AllRounder O2 Size L (Large)

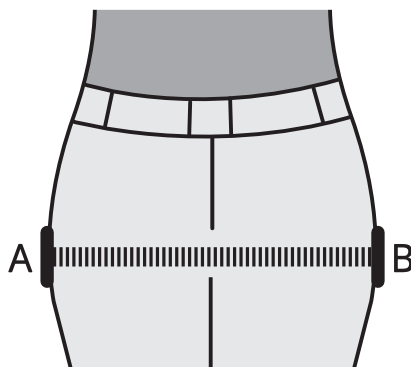


Figure 1

If it is not possible to perform the above measuring method, you can use the size of your wheelchair cushion as a size reference. See X in figure 2. Measure the width of your cushion or check the cushion label to find out the width of your cushion.

Wheelchair cushion width is:

- < 40 cm / < 16 inch = Vicair AllRounder O2 Size S (Small)
- 40 – 44,5 cm / 16 - 17¾ inch = Vicair AllRounder O2 Size M (Medium)
- 45 - 50 cm / 18 - 20 inch = Vicair AllRounder O2 Size L (Large)

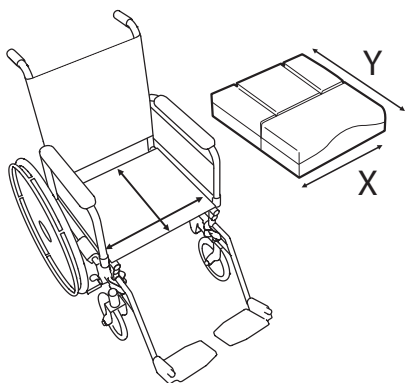


Figure 2

Perform the following steps when installing the Vicair AllRounder O2

These steps correspond to the installation images 1-5 on the Quick Installation Guide. Image i (I, II & III) shows how to remove the Harness base for replacement or for cushion adjustments (chapter 'Use'):

- Place the Vicair AllRounder O2 on a solid surface or a chair. The waist strap and leg straps should be unbuckled

- Transfer from your wheelchair to the Vicair AllRounder O2 and make sure you are well positioned.
- Close the waist strap.
- Tighten the waist strap, loosely following the contours of your waist. Excess waist strap can be tucked away in the waist strap holders attached to the Harness base.
- Close the leg straps. You can place the clip at the leg strap's end on top of the clip on the Harness base and press the two together until they lock.
- Tighten the two leg straps, loosely following the contours of your legs. The elastic parts will minimise skin and tissue compression.

Checking for "bottoming out":

Image 6 - Quick Installation Guide

Warning! Your tailbone and pelvic bones should not touch the bottom of the cushion. Checking for "bottoming out" should be done during first use and after adjustments to the cushion filling.

Warning! Vicair B.V. recommends to adjust the filling grade under the direct supervision of your therapist or technical advisor.

- Check for bottoming out, after sitting on the cushion for approximately 5 minutes.
- Let your therapist or technical advisor slide a hand between your buttocks and the Vicair cushion while leaning forward.
- Ask your therapist or technical advisor to check if your lowest bony prominences are supported by at least 1 layer of SmartCells™. This prevents them from touching the (hard) surface beneath the Vicair AllRounder O2.
- Do not use the cushion if bottoming out occurs. In most cases, adjusting the filling grade of the cushion compartments will solve the problem.

USE

Checking for redness of the skin

Image 7 - Quick Installation Guide

Warning! Check your skin regularly for redness. Especially during first use, with extra sensitive skin and/or during extra rough use. These are all factors that might affect your skin tolerances. If redness occurs and does not disappear after 15 minutes, consult your therapist or technical advisor.

Ready for use

This Vicair product is ready for use. It has its own unique filling grade, depending on size and model. However – if necessary, the filling grade can be adjusted by removing or adding SmartCells from/to the various compartments. You can find the default filling grade on the label attached to the cushion.

Adjusting the filling grade

Image i - Quick Installation Guide

Warning! Vicair B.V. recommends to adjust the filling grade under the direct supervision of your therapist or technical advisor. To adjust the filling grade first remove the Harness base. See 'Removing/replacing the Harness base' for instructions.

Conditions for use and storage

Caution! Do not use or leave the product close to a naked flame or a high temperature heat source.

- **User weight:**
Minimum: 15 kg / 33 lbs,
maximum: 100 kg / 220 lbs
- **Temperature:**
Minimum: -20 °C / 4 °F,
maximum: 55 °C / 131 °F
- **Use at high altitude**
Notice! Because each SmartCell is filled with air, the cushion may behave differently when used at high altitude or in an airplane. Under

such circumstances, the cushion's firmness can be adjusted by removing a few cells from each compartment.

- **Air humidity:**
Minimum: 0%, maximum 100%

Use during water sports

Warning! Wear a life jacket when using the Vicair AllRounder O2 during water sports activities.

Use in motor vehicles

Normal wheelchair cushions can render the vehicle's seatbelt system unreliable. The Vicair AllRounder O2 can be used as a safe alternative if you require additional protection during transportation.

Cushion fluff-up

Vicair B.V. recommends to fluff-up the cushion part of your Vicair AllRounder O2 before use.

Re-use - Transferring the product to another user

The product is suitable for repeated use. The number of times it can be used depends on how often and in which way the product is used. The product has to be thoroughly cleaned and disinfected, before another person is allowed to use it. See chapter 'Maintenance and cleaning' for instructions.

Notice! Make sure the product is correctly adjusted to the other person.

Removing/replacing the Harness base

Image i - Quick Installation Guide

In case the Harness base (or one of its straps) of your Vicair AllRounder O2 is worn, replace the Harness base. A replacement Harness base can be purchased separately. You will also have to remove the Harness base temporarily when you need to adjust the filling grade.

To remove and replace the Harness base, perform the following steps. These instructions correspond to image i (I, II & III) on the quick installation guide.

- Completely open the zipper following the bottom of the cushion to detach the Harness base from the cushion.
- To adjust the filling grade, now open the cushion's zipper. Add or remove the desired number of SmartCells from one or more compartments and close the zipper. Make sure that you do not damage the SmartCells.
- Attach the cushion to the (replacement) Harness base by using the zipper following the bottom of the cushion. Make sure that you do not damage the cushion.

Disposal

The disposal and recycling of used devices and packaging must comply with the applicable legal regulation. Ensure the product is cleaned prior to disposal to avoid any risk of contamination.

MAINTENANCE AND CLEANING

Warning! Every three months, check the product for wear and deflated cells. In case of serious damage, or a large number of deflated cells, do not continue to use the product. Consult your dealer.

Caution! Do not steam clean or autoclave the product. The product cannot withstand excessive heat or pressure. When the given cleaning instructions are not followed, it is very likely that the product will age more rapid.

Caution! Do not use aggressive or abrasive cleaners, or sharp objects to clean the cushion.

Caution! Do not place the topside of the Vicair O2 cushion against the glass of the washer door.

Cleaning the Vicair AllRounder O2

Your Vicair AllRounder O2 can be machine washed at 60°C / 140 °F using an anti-crease cycle and mild detergent. Close the waist strap and leg straps before washing. You do not need to remove the SmartCells or the Harness base before putting the Vicair AllRounder O2 in the washing machine. Make sure the topside of the cushion is not placed against the glass of the washer door. Do not load the machine with more than half of its maximum load weight. Spin speed should be reduced. When using a machine with agitator, make sure that the cushion can move freely within the drum. Do not use any chlorine bleach and do not dry clean! Do not tumble dry your Vicair AllRounder O2, but let it air dry.



Disinfecting your Vicair AllRounder O2

Warning! In case of soiling with body fluids, and when transferring the product to another user, the product must be disinfected to avoid cross contamination. Clean the Vicair AllRounder O2 as instructed above. Preferably use an anti-bacterial detergent. After cleaning spray the Vicair AllRounder O2 with a disinfectant. Bend compartments outwards to make sure the spray gets into the gaps.

WARRANTY

Please see www.vicair.com for complete information on warranty processes, terms and conditions.

Vicair B.V. offers a limited warranty against defects in workmanship and materials, provided the product has been used normally. Normal wear and tear and any damage arising from abnormal use, or caused by improper handling, cleaning, or negligence is excluded from this warranty.

Warranty period

From original date of purchase: 24 months.

The SmartCells in this Vicair O2 cushion have a lifelong warranty period.

Should a defect in materials or workmanship occur within the above mentioned warranty period, Vicair B.V. will – at its own choice – repair or replace the product free of charge.

Remedies for breach of express warranties herein are limited to repair or replacement of the product.

In no event shall damages for breach of any warranty include any consequential damages or exceed the cost of non-conforming goods sold.

Any questions?

Contact Vicair B.V. at info@vicair.com or contact your country's Vicair distributor.

Beste klant,

Bedankt voor uw keuze van dit Vicair® product. Wij zijn er van overtuigd dat u de eenvoud, betrouwbaarheid en de hoogwaardige werking snel zult waarderen. Voor een snelle ingebruikname volgt u de aanwijzingen op de bijgeleverde 'Quick Installation Guide'.

Daarnaast dient u deze handleiding volledig te lezen en te begrijpen alvorens het product te gebruiken. Bewaar deze handleiding en de 'Quick Installation Guide' goed.

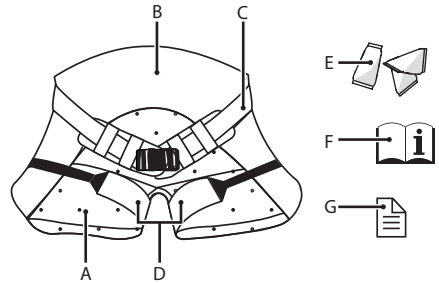
Voor meer informatie of het bestellen van handleidingen, neem contact op met de distributeur in uw land.

Kijk op vicair.com voor informatie over uw distributeur.

INTRODUCTIE

De Vicair AllRounder O2 is een kussen dat aan het lichaam bevestigd wordt. Het biedt een hoog mate van huidbescherming aan personen met een verhoogd risico op decubitus. Dit kussen voor incidenteel gebruik wordt ingezet voor comfort en decubitus preventie in situaties waarin het gebruik van de rolstoel niet nodig of niet mogelijk is. De Vicair AllRounder O2 is volledig machinewasbaar zonder dat u de SmartCells of de Harness base hoeft te verwijderen.

BELANGRIJKSTE ONDERDELEN



- A. Kussen
- B. Harness base
- C. Heupband
- D. Beenbanden
- E. SmartCells™, verdeeld over 5 compartimenten
- F. Handleiding
- G. Quick Installation Guide

ALGEMENE PRODUCTSPECIFICATIES

Productnaam:	Vicair AllRounder O2
Fabrikant:	Vicair B.V., Nederland
Garantie:	24 maanden
Gewicht:	0,75 kg / 1,65 lbs (maat M)
Verkrijgbare maten:	Small, Medium, Large
Gebruikte materialen:	Latex vrij
Kussen:	Polyester mesh stof
Kussenvulling:	Luchtgevulde SmartCells met low-friction coating
Harness base:	Polyurethaan gecoat nylon. Aan de binnenzijde een polyurethaan schuimlaag met gebreide, rekbare polyester 3D mesh stof er overheen.

VOORZORGSMAATREGELEN EN VEILIGHEIDSINSTRUCTIES

Een Vicair AllRounder O2 mag alleen gebruikt worden zoals beschreven in deze handleiding. Ieder ander gebruik wordt gezien als oneigenlijk gebruik. Vicair B.V. kan niet verantwoordelijk worden gesteld voor eventuele schade veroorzaakt door oneigenlijk, verkeerd of onverstandig gebruik. Zorg ervoor dat u deze handleiding volledig leest en begrijpt.

Waarschuwing! Uw staartbeen en bekken mogen de bodem van het kussen niet raken. Het controleren op doorzitten moet worden gedaan tijdens het eerste gebruik en na aanpassingen aan de vulling van uw kussen.

Waarschuwing! Controleer uw huid regelmatig op roodheid. Vooral tijdens het eerste gebruik, bij extra-gevoelige huid en/of tijdens extra-ruw gebruik. Dit zijn factoren die de huidtolerantie kunnen beïnvloeden. Als roodheid optreedt en niet verdwijnt na 15 minuten, raadpleeg dan uw therapeut of adviseur.

Waarschuwing! Vicair B.V. beveelt aan om de vulgraad aan te passen onder begeleiding van uw therapeut of adviseur.

Waarschuwing! Trek de been- en heupband niet te strak aan, anders bestaat het gevaar van afklemming of ontstaat een gevoel van discomfort.

Waarschuwing! Draag een reddingsvest wanneer u de Vicair AllRounder O2 gebruikt tijdens watersportactiviteiten.

Waarschuwing! In het geval van verontreiniging met lichaamsvloeistoffen of voordat dit product door een ander persoon gebruikt wordt, moet het product gedesinfecteerd worden om kruisbesmetting te voorkomen.

Waarschuwing! Controleer het product om de drie maanden op slijtage en kapotte cellen. Bij ernstige beschadigingen, of een groot aantal kapotte cellen, raadpleeg uw verkoper.

Voorzichtig! Gebruik of bewaar dit product niet dichtbij open vuur of een sterke hittebron.

Voorzichtig! Dit product niet reinigen in een stomerij of autoclaaf. Het product is niet bestand tegen extreme hitte of druk. Indien de opgegeven was-instructies niet in acht worden genomen, kan een versnelde veroudering van dit product plaatsvinden.

Voorzichtig! Gebruik geen agressieve of schurende schoonmaakmiddelen of scherpe voorwerpen om het kussen te reinigen.

Voorzichtig! Plaats de bovenkant van het Vicair O2 kussen niet tegen het glas van de wasmachinedeur.

INSTALLATIE

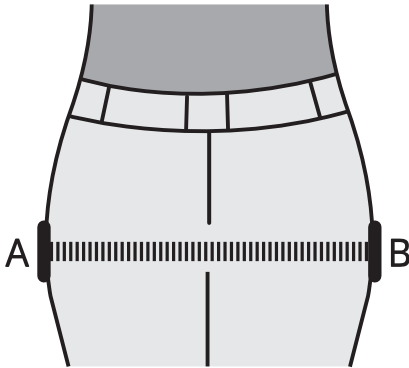
Waarschuwing! Trek de been- en heupband niet te strak aan, anders bestaat het gevaar van afklemming of ontstaat een gevoel van discomfort.

Controleer de maat van de Vicair AllRounder O2

Meet uw heupbreedte om te controleren of de maat van de Vicair AllRounder O2 past bij uw lichaam. Terwijl u zit houdt u een meetlint horizontaal boven het breedste punt van uw bovenbenen, dicht tegen de voorkant van uw heupen aan. Volg niet uw beencontouren, maar houdt het meetlint recht. Zie figuur 1. Meet van A naar B (of B naar A).

Breedte A naar B is:

- < 38 cm / < 15 inch = Vicair AllRounder O2 Maat S (Small)
- 38 – 42,5 cm / 15- 16¾ inch = Vicair AllRounder O2 Maat M (Medium)
- 43 - 48 cm / 17 - 19 inch = Vicair AllRounder O2 Maat L (Large)

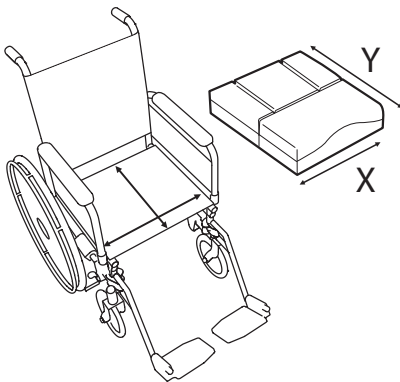


Figuur 1

Indien bovenstaande meetmethode niet uitvoerbaar is, dan kunt u de maat van uw rolstoelkussen gebruiken als maatreferentie. Zie X in figuur 2. Meet de kussenbreedte of ga op het kussenlabel na wat de breedte van uw kussen is.

Rolstoelkussenbreedte is:

- < 40 cm / < 16 inch = Vicair AllRounder O2 Maat S (Small)
- 40 – 44,5 cm / 16 - 17¾ inch = Vicair AllRounder O2 Maat M (Medium)
- 45 - 50 cm / 18 - 20 inch = Vicair AllRounder O2 Maat L (Large)



Figuur 2

Volg de volgende stappen wanneer u de Vicair AllRounder O2 installeert

Deze stappen komen overeen met afbeelding 1-5 op de Quick Installation Guide. Afbeelding I (I, II & III) laat zien hoe de Harness base verwijderd kan worden om deze te vervangen of om het kussen te kunnen aanpassen (zie hoofdstuk 'Gebruik'):

- Plaats de Vicair AllRounder O2 op een stevig oppervlak of een stoel. Open de heupband en beenbanden.
- Maak een transfer van uw rolstoel naar de Vicair AllRounder O2 en zorg ervoor dat u zichzelf goed positioneert.
- Sluit de heupband.
- Span de heupband (niet te strak) aan, volg losjes de heupcontouren. De uiteinden van de heupband kunnen in de heupbandhouders op de Harness base worden weggestopt.
- Sluit de twee beenbanden. Plaats hiervoor de clip aan het uiteinde van de beenband bovenop de clip op de Harness base. Druk beide delen samen totdat deze vastklikken.
- Span de beenbanden (niet te strak) aan, volg losjes de beencontouren. De elastische delen van de beenbanden zullen huid- en weefselcompressie minimaliseren.

Controleren op doorzitten:

Afbeelding 6 - Quick Installation Guide

Waarschuwing! Uw staartbeen en bekken mogen de bodem van het kussen niet raken. Het controleren op doorzitten moet worden gedaan tijdens het eerste gebruik en na aanpassingen aan de vulling van uw kussen.

Waarschuwing! Vicair B.V. beveelt aan om de vulgraad aan te passen onder begeleiding van uw therapeut of adviseur.

- Controleer op doorzitten, nadat u ongeveer 5 minuten op het kussen heeft gezeten.

- Vraag uw therapeut of adviseur een hand tussenuw billen en het Vicair kussen te schuiven, terwijl u voorover leunt.
- Vraag de therapeut of adviseur om te controleren of uw billen ondersteund worden door op tenminste één laag SmartCells. Dit om te voorkomen dat uw zitbeenderen het (harde) oppervlak onder de Vicair AllRounder O2 kunnen raken.
- Gebruik het kussen niet als doorzitten optreedt. In de meeste gevallen zal het probleem kunnen worden opgelost door de vulgraad van de kussencompartimenten aan te passen.

GEBRUIK

Controleren op roodheid van de huid

Afbeelding 7 - Quick Installation Guide

Waarschuwing! Controleer uw huid regelmatig op roodheid. Vooral tijdens het eerste gebruik, bij extra-gevoelige huid en/of tijdens extra-ruw gebruik. Dit zijn factoren die de huidtolerantie kunnen beïnvloeden. Als roodheid optreedt en niet verdwijnt na 15 minuten, raadpleeg dan uw therapeut of adviseur.

Ready for use

Dit Vicair product is 'Ready for use': klaar voor gebruik. Het heeft zijn eigen unieke vulgraad, afhankelijk van de maat en het model. Desondanks is het – indien noodzakelijk – mogelijk om de vulgraad aan te passen door SmartCells toe te voegen aan of te verwijderen uit de compartimenten. U kunt de originele vulgraad vinden op het kussenlabel.

Aanpassen van de vulgraad

Afbeelding i - Quick Installation Guide

Waarschuwing! Vicair B.V. beveelt aan om de vulgraad aan te passen onder begeleiding van uw therapeut of adviseur. Om de vulgraad te

kunnen aanpassen, dient u eerst de Harness base los te maken. Zie 'Het verwijderen/ vervangen van de Harness base' voor instructies.

Omgevingscondities voor gebruik en opslag

Voorzichtig! Gebruik of bewaar dit product niet dichtbij open vuur of een sterke hittebron.

• **Gebruikersgewicht:**

Minimum: 15 kg / 33 lbs,
maximum: 100 kg / 220 lbs

• **Temperatuur:**

Minimum: -20 °C / 4 °F,
maximum: 55 °C / 131 °F

• **Gebruik op grote hoogte**

Let op! Omdat de SmartCells gevuld zijn met lucht, kan het kussen anders aanvoelen als het op grote hoogte of in een vliegtuig gebruikt wordt. Onder zulke omstandigheden kan de stevigheid van het kussen worden aangepast door uit elk compartiment een paar SmartCells te verwijderen.

• **Luchtvochtigheid:**

Minimum: 0%, maximum 100%

Gebruik tijdens watersport

Waarschuwing! Draag een reddingsvest wanneer u de Vicair AllRounder O2 gebruikt tijdens watersportactiviteiten.

Gebruik in motorvoertuigen

Het veiligheidsgordelsysteem van een voertuig kan bij gebruik van normale rolstoelkussens onbetrouwbaar worden. De Vicair AllRounder O2 kan worden gebruikt als een veilig alternatief indien u aanvullende bescherming nodig heeft tijdens vervoer.

Kussen opschudden

Vicair B.V. beveelt aan om het kussendeel van uw Vicair AllRounder O2 op te schudden voor gebruik.

Het kussen door een ander persoon laten gebruiken

Dit product is geschikt voor hergebruik. Hoe vaak dit product kan worden hergebruikt hangt af van hoe en hoe intensief het product gebruikt wordt. Voordat u iemand anders dit product laat gebruiken, moet het product gereinigd en gedesinfecteerd worden. Zie de instructies in hoofdstuk 'Onderhoud en Reiniging'.

Let op! Zorg ervoor dat het product correct is aangepast aan de nieuwe gebruiker.

Het verwijderen/vervangen van de Harness base

Afbeelding i - Quick Installation Guide

U dient de Harness base van uw Vicair

AllRounder O2 te vervangen indien deze (of één van de banden) versleten is. Een vervangende Harness base kan los besteld worden.

Daarnaast is het nodig om de Harness base tijdelijk te verwijderen bij aanpassingen aan de vulgraad.

Volg onderstaande instructies bij het verwijderen en vervangen van de Harness base. Deze instructies komen overeen met afbeelding i (I, II & III) op de Quick Installation Guide.

- De rits die langs de onderzijde van het kussen loopt volledig openen zodat u de Harness base kunt verwijderen.
- Om de vulgraad aan te passen opent u de rits van het kussen. U kunt nu het gewenste aantal SmartCells verwijderen uit of toevoegen aan (één van) de compartimenten. Sluit de rits. Pas op dat u de SmartCells niet beschadigt.
- Bevestig het kussen aan de (vervangende) Harness base met behulp van de rits die langs de onderzijde van het kussen loopt. Pas op dat u het kussen niet beschadigt.

Het product weggoaien

Het weggoaien en recycelen van product en verpakking moet worden uitgevoerd overeenkomstig de hiervoor geldende regelgeving. Zorg ervoor dat het product voor het weggoaien is gereinigd, ter voorkoming van kruisbesmetting.

ONDERHOUD EN REINIGING

Waarschuwing! Controleer het product om de drie maanden op slijtage en kapotte cellen. Bij ernstige beschadigingen, of een groot aantal kapotte cellen, raadpleeg uw verkoper.

Voorzichtig! Dit product niet reinigen in een stomerij of autoclaaf. Het product is niet bestand tegen extreme hitte of druk. Indien de opgegeven was-instructies niet in acht worden genomen, kan een versnelde veroudering van dit product plaatsvinden.

Voorzichtig! Gebruik geen agressieve of schurende schoonmaakmiddelen of scherpe voorwerpen om het kussen te reinigen.

Voorzichtig! Plaats de bovenkant van het Vicair O2 kussen niet tegen het glas van de wasmachinedeur.

Het reinigen van de Vicair AllRounder O2

Uw Vicair AllRounder O2 kan op 60°C / 140 °F met een anti-kreuk programma en een mild wasmiddel in de machine worden gewassen. Sluit de been- en heupbanden voor het wassen. U hoeft de SmartCells of de Harness base niet te verwijderen wanneer u de Vicair AllRounder O2 in de wasmachine plaatst. Zorg ervoor dat de bovenkant van het kussen niet tegen het glas van de wasmachinedeur wordt geplaatst. Laad de machine niet met meer dan de helft van het maximale laadgewicht. De draaisnelheid moet worden verlaagd. Wanneer u een machine met roerwerk gebruikt, zorg er dan voor dat het kussen vrij in de trommel kan bewegen. Geen

chloor bleekmiddel gebruiken en niet stomen!
Uw Vicair AllRounder O2 niet in de droogtrommel drogen, maar aan de lucht laten drogen.



Het desinfecteren van uw Vicair AllRounder O2

Waarschuwing! In het geval van verontreiniging met lichaamsvloeistoffen of voordat dit product door een ander persoon gebruikt wordt, moet het product gedesinfecteerd worden om kruisbesmetting te voorkomen. Reinig de Vicair AllRounder O2 zoals hierboven beschreven. Gebruik bij voorkeur een antibacterieel middel. Spuit na het wassen een desinfecterend middel op de Vicair AllRounder O2. Buig de compartimenten naar buiten, zodat het middel goed in de spleten komt.

GARANTIE

Ga naar www.vicair.com voor volledige informatie inzake garantieprocedures en garantievoorwaarden.

Vicair B.V. biedt een beperkte garantie op productie- en materiaalfouten, onder voorwaarde dat het product op normale wijze is gebruikt. Normale gebruiksslijtage en elke schade die ontstaat door abnormaal gebruik, onjuist hanteren, reinigen of nalatigheid, valt niet onder deze garantie.

Garantieperiode

Vanaf originele aanschafdatum: 24 maanden.
De SmartCells in dit Vicair O2 kussen hebben een levenslange garantieperiode.

Indien er binnen bovengenoemde garantieperiode productie- of materiaalfouten optreden, zal Vicair B.V. – naar eigen inzicht en goeddunken – het product kosteloos repareren dan wel vervangen.

De garantie beperkt zich tot het repareren of vervangen van het product.

In geen geval zullen de garantiekosten eventuele gevolgschade dekken of kosten van de verkochte non-conforme producten overstijgen.

Heeft u vragen?

Neem contact op met Vicair B.V. via info@vicair.com of neem contact op met de Vicair distributeur in uw land.

Lieber Kunde,

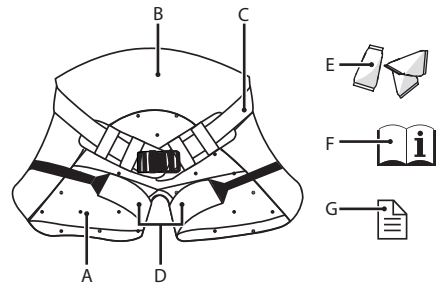
Vielen Dank, dass Sie sich für ein Vicair® Produkt entschieden haben. Wir sind uns sicher, dass Sie von der einfachen Anwendung, der Zuverlässigkeit und den hervorragenden Eigenschaften überzeugt sein werden. Wenn Sie Ihr Produkt gleich nutzen möchten, können Sie die dem Kissen beiliegende Kurzanleitung benutzen. Sie sollten sich jedoch vor der Verwendung zusätzlich mit dieser Gebrauchsanweisung vertraut machen. Bewahren Sie die Kurzanleitung und diese Gebrauchsanweisung zum späteren Nachschlagen auf.

Für weitere Informationen oder um eine Gebrauchsanweisungen zu bestellen bzw. nachzubestellen, kontaktieren Sie bitte die Handelsvertretung in Ihrem Land. Informationen zu Händlern und Niederlassungen finden Sie auf vicair.com.

EINLEITUNG

Das Vicair AllRounder O2 ist ein Kissen, das an Ihren Körper geschnallt wird. Es bietet Personen mit hohem Risiko einer Bildung von Druckgeschwüren ein hohes Maß an Hautschutz. Dieses Kissen für gelegentliche Nutzung wird verwendet, um in Situationen, in denen die Verwendung eines Rollstuhls nicht möglich oder erforderlich ist, Komfort zu bieten und Druckgeschwüre zu vermeiden. Das Vicair AllRounder O2 kann in der Waschmaschine gewaschen werden, ohne dass die Harness base (Gurtbasis) oder die SmartCells entfernt werden müssen!

HAUPTBESTANDTEILE



- A. Kissen
- B. Harness base (Gurtbasis)
- C. Hüftgurt
- D. Beingurte
- E. SmartCells™, in 5 Kammern
- F. Gebrauchsanweisung
- G. Kurzanleitung (Quick Installation Guide)

ALLGEMEINE PRODUKTDATEN

Name des Produkts:	Vicair AllRounder O2
Hergestellt von:	Vicair B.V., Niederlande
Garantie:	24 Monate
Gewicht:	0,75 kg / 1,65 lbs (Größe M)
Verfügbare Größen:	Small, Medium, Large
Verwendete Materialien:	Komplett latexfrei
Kissen:	Polyesternetzgewebe
Kissenfüllung:	Luftgefüllte SmartCells mit reibungsarmer Beschichtung
Harness base (Gurtbasis):	Nylongewebe mit Polyurethan-Beschichtung. Mit einer Polyurethanschaum-Schicht im Inneren, die mit einem dehnbaren Polyester-3D-Netzgewebe überzogen ist.

VORSICHTSMASSNAHMEN UND SICHERHEITSHINWEISE

Das Vicair AllRounder O2 darf nur gemäß den Anweisungen in dieser Anleitung verwendet werden. Jeder davon abweichende Gebrauch dieses Produktes gilt als missbräuchliche Verwendung. Vicair B.V. übernimmt keine Verantwortung für Schäden, die durch missbräuchliche oder unsachgemäße Nutzung oder Fahrlässigkeit verursacht wurden. Lesen Sie diese Gebrauchsanweisung vollständig und vergewissern Sie sich, dass Sie alle Angaben verstanden haben.

Achtung! Ihr Steißbein und Ihre Sitzbeinknochen dürfen den Boden des Kissens nicht berühren. Führen Sie bei der ersten Benutzung und nach jeder Füllgradveränderung eine Durchsitzkontrolle durch.

Achtung! Untersuchen Sie Ihre Haut regelmäßig auf Rötungen. Besonders während des ersten Gebrauchs, bei besonders empfindlicher Haut und/oder bei besonders intensivem Gebrauch. Dies sind alles Faktoren, die Ihre Hautverträglichkeit beeinträchtigen können. Falls Hautrötungen auftreten, die nach 15 Minuten nicht wieder abklingen, wenden Sie sich bitte an Ihren Therapeuten oder Fachhändler.

Achtung! Vicair B.V. empfiehlt Ihnen, den Füllgrad unter direkter Aufsicht eines Therapeuten oder Fachhändlers anzupassen.

Achtung! Ziehen Sie den Hüftgurt und die Beingurte nicht zu fest an. Dies kann zu einer Reduzierung der Durchblutung und/oder Beschwerden führen.

Achtung! Tragen Sie eine Schwimmweste, wenn Sie das Vicair AllRounder O2 beim Wassersport tragen.

Achtung! Falls das Kissen durch Körperausscheidungen verschmutzt oder an einen anderen Benutzer weitergegeben wird, muss es desinfiziert werden, um Kreuzkontamination zu verhindern.

Achtung! Überprüfen Sie das Produkt alle drei Monate auf Verschleiß und defekte Zellen. Im Fall einer schweren Beschädigung oder einer größeren Anzahl defekter Zellen benutzen Sie das Kissen nicht weiter. Wenden Sie sich an Ihren Fachhändler.

Vorsicht! Verwenden bzw. lagern Sie das Produkt nicht in der Nähe offener Flammen oder einer Wärmequelle mit hohen Temperaturen.

Vorsicht! Reinigen Sie das Kissen nicht mit heißem Dampf oder Hochdruck. Das Produkt hält übermäßiger Hitze oder hohem Druck nicht stand. Werden die Reinigungsanweisungen nicht befolgt, kann es sein, dass das Produkt deutlich schneller altert.

Vorsicht! Verwenden Sie keine aggressiven oder scheuernden Reinigungsmittel oder scharfen Gegenstände zur Reinigung des Kissens.

Vorsicht! Achten Sie darauf, dass die Oberseite des Vicair O2 Kissens nicht am Glas der Waschmaschinentür anliegt.

ANPASSUNG

Achtung! Ziehen Sie den Hüftgurt und die Beingurte nicht zu fest an. Dies kann zu einer Reduzierung der Durchblutung und/oder Beschwerden führen.

Größe des Vicair AllRounder O2

Messen Sie die Breite Ihrer Hüften, um herauszufinden, welche Größe des Vicair AllRounder O2 der Größe Ihres Körpers entspricht. Halten Sie beim Sitzen ein Maßband horizontal über den breitesten Punkt Ihrer Oberschenkel, dicht vor Ihrer Hüfte. Folgen Sie nicht den Konturen Ihrer Beine, sondern halten Sie das Maßband gerade. Siehe Abb. 1. Messen Sie von A nach B (oder B nach A).

Die Breite von A nach B ist:

- < 38 cm / < 15 Zoll = Vicair AllRounder O2 Größe S (Small)
- 38 - 42,5 cm / 15- 16¾ Zoll = Vicair AllRounder O2 Größe M (Medium)

- 43 - 48 cm / 17 - 19 Zoll = Vicair AllRounder O2 Größe L (Large)

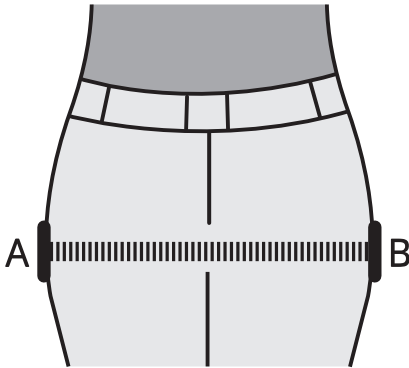


Abbildung 1

Wenn die oben genannte Messmethode nicht durchgeführt werden kann, können Sie die Größe Ihres Rollstuhlkissens als Referenz verwenden. Siehe X in Abb. 2. Messen Sie die Breite Ihres Kissens oder entnehmen Sie die Breite Ihres Kissens den Angaben auf dem Etikett.

Die Breite des Rollstuhlkissens ist:

- < 40 cm / < 16 Zoll = Vicair AllRounder O2 Größe S (Small)
- 40 - 44,5 cm / 16 - 17¾ Zoll = Vicair AllRounder O2 Größe M (Medium)
- 45 - 50 cm / 18 - 20 Zoll = Vicair AllRounder O2 Größe L (Large)

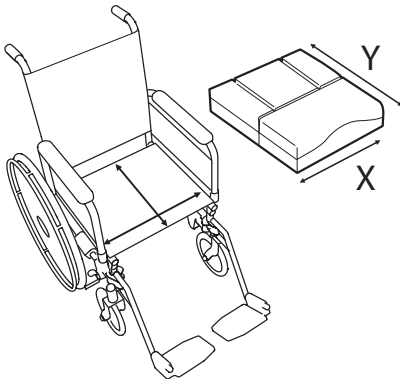


Abbildung 2

Befolgen Sie die folgenden Schritte, wenn Sie das Vicair AllRounder O2 installieren

Diese Schritte stimmen mit den Abbildungen 1-5 in der Kurzanleitung überein. Abbildung i (I, II und III) zeigt, wie die Harness base (Gurtbasis) zum Ersetzen oder für Anpassungen des Kissens abgenommen werden kann (Kapitel „Verwendung“):

- Legen Sie das Vicair AllRounder O2 auf eine feste Oberfläche oder einen Stuhl. Der Hüftgurt und die Beingurte sollten geöffnet sein.
- Wechseln Sie von Ihrem Rollstuhl zum Vicair AllRounder O2 und stellen Sie sicher, dass Sie gut positioniert sind.
- Schließen Sie den Hüftgurt.
- Ziehen Sie den Hüftgurt lose den Konturen Ihrer Taille folgend fest. Überstehende Enden des Hüftgurts können in die Hüftgurthalter an der Harness base (Gurtbasis) gesteckt werden.
- Schließen Sie die Beingurte. Sie können den Clip am Ende des Beingurts auf den Clip an der Harness base (Gurtbasis) legen und die beiden zusammendrücken, bis sie einrasten.
- Ziehen Sie die Beingurte lose den Konturen Ihrer Beine folgend fest. Dank der dehnbaren Teile wird der Druck auf Haut und Gewebe minimiert.

Durchsitzkontrolle:

Abbildung 6 - Quick Installation Guide

Achtung! Ihr Steißbein und Ihre Sitzbeinknochen dürfen den Boden des Kissens nicht berühren. Führen Sie bei der ersten Benutzung und nach jeder Füllgradveränderung eine Durchsitzkontrolle durch.

Achtung! Vicair B.V. empfiehlt Ihnen, den Füllgrad unter direkter Aufsicht eines Therapeuten oder Fachhändlers anzupassen.

- Nachdem Sie ca. 5 Minuten auf dem Kissen gesessen sind, kontrollieren Sie, ob Sie durchsitzen.

- Lassen Sie Ihren Therapeuten oder Fachhändler eine Hand zwischen Ihr Gesäß und das Vicair Kissen schieben, während Sie sich nach vorne beugen.
- Bitten Sie Ihren Therapeuten oder Fachhändler zu überprüfen, ob die bei Ihnen am tiefsten liegenden, vorstehenden Knochen von mindestens einer Schicht SmartCells™ gestützt werden. Das verhindert, dass diese die (harte) Oberfläche unter dem Vicair AllRounder O2 berühren.
- Verwenden Sie das Kissen nicht, falls Sie durchsitzen. In den meisten Fällen schafft eine Anpassung des Füllgrads der Kissenkammern Abhilfe.

VERWENDUNG

Kontrolle auf Hautrötungen

Abbildung 7 - Quick Installation Guide

Achtung! Untersuchen Sie Ihre Haut regelmäßig auf Rötungen. Besonders während des ersten Gebrauchs, bei besonders empfindlicher Haut und/oder bei besonders intensivem Gebrauch. Dies sind alles Faktoren, die Ihre Hautverträglichkeit beeinträchtigen können. Falls Hautrötungen auftreten, die nach 15 Minuten nicht wieder abklingen, wenden Sie sich bitte an Ihren Therapeuten oder Fachhändler.

Gebrauchsfertiges Produkt

Dieses Vicair-Produkt ist sofort einsatzbereit. Jedes Kissen weist abhängig von seiner Größe und dem Modell einen individuellen Füllgrad auf. Allerdings kann der Füllgrad – sollte dies notwendig sein – durch Entnehmen oder Hinzufügen von SmartCells aus den/in die verschiedenen Kammern individuell angepasst werden. Angaben zum werksseitigen Füllgrad finden Sie auf dem am Kissen angebrachten Etikett.

Anpassung des Füllgrads

Abbildung i - Quick Installation Guide

Achtung! Vicair B.V. empfiehlt Ihnen, den Füllgrad unter direkter Aufsicht eines Therapeuten oder Fachhändlers anzupassen. Um den Füllgrad anzupassen, trennen Sie zunächst die Harness base (Gurtbasis) ab. Siehe die Anleitungen unter „Abbau/Ersetzen der Harness base (Gurtbasis)“.

Bedingungen für die Verwendung und Lagerung des Kissens

Vorsicht! Verwenden bzw. lagern Sie das Produkt nicht in der Nähe offener Flammen oder einer Wärmequelle mit hohen Temperaturen.

- **Benutzergewicht:**
Minimum: 15 kg / 33 lbs,
Maximum: 100 kg / 220 lbs
- **Temperatur:**
Minimum: -20 °C / 4 °F,
Maximum: 55 °C / 131 °F
- **Benutzung in großen Höhen**
Hinweis! Da jede SmartCell mit Luft gefüllt ist, kann sich das Kissen anders verhalten, wenn es in großen Höhen oder im Flugzeug verwendet wird. Unter diesen Umständen kann die Härte des Sitzkissens durch die Entnahme einiger Zellen aus jeder Kammer angepasst werden.
- **Luftfeuchtigkeit:**
Minimum: 0 %, Maximum 100 %

Verwendung beim Wassersport

Achtung! Tragen Sie eine Schwimmweste, wenn Sie das Vicair AllRounder O2 beim Wassersport tragen.

Verwendung in Kraftfahrzeugen

Normale Rollstuhlkissen können die Zuverlässigkeit des Gurtsystems des Fahrzeugs beeinträchtigen. Das Vicair AllRounder O2 kann als sichere Alternative verwendet werden, wenn Sie zusätzlichen Schutz beim Transport benötigen.

Kissen aufschütteln

Vicair B.V. empfiehlt Ihnen, das Kissen Ihres Vicair AllRounder O2 vor der Verwendung aufzuschütteln.

Wiederverwendbar - Weitergabe des Produkts an andere Benutzer

Dieses Produkt ist für eine mehrfache Verwendung geeignet. Wie oft es verwendet werden kann, hängt davon ab, wie häufig und auf welche Weise das Produkt verwendet wird. Das Produkt muss gründlich gereinigt und desinfiziert werden, bevor es von einer anderen Person benutzt wird. Eine entsprechende Anleitung finden Sie im Kapitel „Pflege und Reinigung“.

Hinweis! Stellen Sie sicher, dass das Kissen korrekt an die andere Person angepasst ist.

Abbau/Ersetzen der Harness base (Gurtbasis)

Abbildung i - Quick Installation Guide

Falls die Harness base (Gurtbasis) oder einer der Gurte Ihres Vicair AllRounder O2 verschlissen ist, ersetzen Sie die Harness base (Gurtbasis). Eine Ersatz-Harness base (Gurtbasis) ist separat erhältlich. Sie müssen die Harness base (Gurtbasis) auch vorübergehend abnehmen, wenn Sie den Füllgrad anpassen müssen.

Zum Abnehmen und Ersetzen der Harness base (Gurtbasis) führen Sie die folgenden Schritte aus. Diese Anleitungen entsprechen Abbildung i (I, II und III) in der Kurzanleitung.

- Öffnen Sie den Reißverschluss entlang der Unterseite des Kissens, um die Harness base (Gurtbasis) vom Kissen zu lösen.
- Öffnen Sie den Reißverschluss des Kissens, um den Füllgrad anzupassen. Entnehmen Sie die gewünschte Anzahl von SmartCells bzw. fügen Sie sie hinzu und schließen Sie den Reißverschluss wieder. Achten Sie dabei darauf, dass Sie die SmartCells nicht beschädigen.

- Befestigen Sie das Kissen an der (Ersatz-) Harness base (Gurtbasis) mit dem Reißverschluss entlang der Unterseite des Kissens. Achten Sie dabei darauf, dass Sie das Kissen nicht beschädigen.

Entsorgung

Die Entsorgung und das Recycling von verwendeten Produkten sowie der Verpackung müssen den geltenden örtlichen Vorschriften genügen. Stellen Sie sicher, dass das Produkt vor der Entsorgung gereinigt wird, um jegliches Kontaminierungsrisiko zu vermeiden.

PFLEGE UND REINIGUNG

Achtung! Überprüfen Sie das Produkt alle drei Monate auf Verschleiß und defekte Zellen. Im Fall einer schweren Beschädigung oder einer größeren Anzahl defekter Zellen benutzen Sie das Kissen nicht weiter. Wenden Sie sich an Ihren Fachhändler.

Vorsicht! Reinigen Sie das Kissen nicht mit heißem Dampf oder Hochdruck. Das Produkt hält übermäßiger Hitze oder hohem Druck nicht stand. Werden die Reinigungsanweisungen nicht befolgt, kann es sein, dass das Produkt deutlich schneller altert.

Vorsicht! Verwenden Sie keine aggressiven oder scheuernden Reinigungsmittel oder scharfen Gegenstände zur Reinigung des Kissens.

Vorsicht! Achten Sie darauf, dass die Oberseite des Vicair O2 Kissens nicht am Glas der Waschmaschinentür anliegt.

Reinigung des Vicair AllRounder O2

Das Vicair AllRounder O2 kann in der Waschmaschine bei 60 °C (140 °F) mit einem Knitterschutz-Programm und einem milden Waschmittel gewaschen werden. Schließen Sie den Hüftgurt und die Beingurte vor dem Waschen. Sie müssen die SmartCells oder die Harness base (Gurtbasis) nicht heraus- bzw.

abnehmen, bevor Sie das Vicair AllRounder O2 in die Waschmaschine geben. Stellen Sie sicher, dass die Oberseite des Kissens nicht an der Scheibe der Waschmaschinentür anliegt. Beladen Sie die Waschmaschine nicht mit mehr als der Hälfte des maximalen Ladegewichts. Die Schleuderdrehzahl sollte reduziert werden. Achten Sie bei der Verwendung einer Maschine mit Agitator darauf, dass sich das Kissen innerhalb der Trommel frei bewegen kann. Verwenden Sie keine Chlorbleiche und lassen Sie das Kissen nicht chemisch reinigen! Trocknen Sie das Vicair AllRounder O2 nicht im Wäschetrockner, sondern lassen Sie es an der Luft trocknen.



Desinfizierung Ihres Vicair AllRounder O2

Achtung! Falls das Produkt durch Körperausscheidungen verschmutzt oder an einen anderen Benutzer weitergegeben wird, muss es desinfiziert werden, um Kreuzkontamination zu verhindern. Reinigen Sie das Vicair AllRounder O2 wie oben beschrieben. Verwenden Sie vorzugsweise ein antibakterielles Waschmittel. Sprühen Sie das Vicair AllRounder O2 nach dem Reinigen mit einem Desinfektionsmittel ein. Biegen Sie die Kammern nach außen, um sicherzugehen, dass das Spray auch in die Zwischenräume gelangt.

GARANTIE

Vollständige Informationen zu Garantiefällen sowie den allgemeinen Geschäftsbedingungen erhalten Sie auf www.vicair.com.

Vicair B.V. bietet eine eingeschränkte Garantie auf Herstellungs- und Materialfehler, vorausgesetzt das Produkt wurde normal genutzt. Normaler Verschleiß sowie Beschädigungen durch unsachgemäße Nutzung, Handhabung, Reinigung oder Fahrlässigkeit sind von der Garantie ausgenommen.

Garantiezeitraum

Ab dem Kaufdatum: 24 Monate.

Für die SmartCells in diesem Vicair O2 Kissen gilt eine lebenslange Garantie.

Sollte innerhalb des Garantiezeitraums ein Herstellungs- oder Materialfehler auftreten, wird Vicair B.V. – nach eigenem Ermessen – das Produkt kostenfrei reparieren oder ersetzen. Im Garantiefall besteht lediglich Anspruch auf eine Reparatur oder einen Austausch des Produkts.

Der Garantieanspruch schließt in keinem Fall Entschädigungen für Folgeschäden oder Kosten ein, die den Wert der verkauften nicht-konformen Ware übersteigen.

Haben Sie noch Fragen?

Kontaktieren Sie Vicair B.V. unter info@vicair.com oder wenden Sie sich an den Vicair Händler in Ihrem Land.

Cher client,

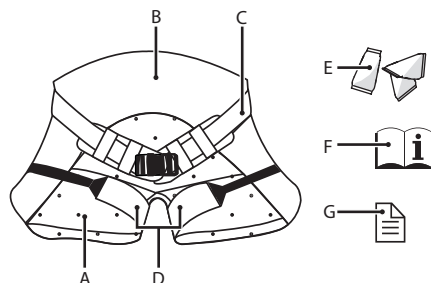
Merci d'avoir choisi un produit Vicair®. Nous sommes certains que vous apprécierez la simplicité, la fiabilité et l'effet fantastique de ce produit. Pour une installation rapide, vous pouvez utiliser le guide d'installation rapide fourni avec votre coussin. Veuillez lire et comprendre ce manuel de l'utilisateur avant utilisation. Conservez le guide d'installation rapide et le présent manuel pour référence ultérieure.

Pour plus d'informations ou pour (re) commander des manuels, contactez le distributeur de votre pays. Rendez-vous sur www.vicair.com pour des informations sur le distributeur.

INTRODUCTION

Le Vicair AllRounder O2 est un coussin que l'on accroche directement sur soi à l'aide de sangles au niveau des cuisses et de la taille. Il offre une haute protection de la peau aux personnes à fort risques d'escarres. Destiné à des utilisations occasionnelles, il apporte confort et prévention dans les situations où l'utilisateur doit ou souhaite sortir de son fauteuil roulant tout en maintenant une bonne protection cutanée. Le Vicair AllRounder O2 est entièrement lavable en machine, Harness base et SmartCells inclus!

COMPOSANTS PRINCIPAUX



- A. Coussin
- B. Harness base (Harnais de base)
- C. La ceinture à la taille
- D. Les sangles des cuisses
- E. SmartCells™, placées dans 5 compartiments
- F. Manuel de l'utilisateur
- G. Guide d'installation rapide (Quick Installation Guide)

SPÉCIFICATIONS PRODUIT GÉNÉRALES

Nom du produit :	Vicair AllRounder O2
Fabriqué par :	Vicair B.V., Pays-Bas
Garantie :	24 mois
Poids :	0,75 kg / 1,65 lb (Taille M)
Tailles disponibles :	Small, Medium, Large
Matériaux utilisés :	Sans latex
Coussin :	Tissu maille polyester
Remplissage de coussin :	SmartCells remplies d'air avec revêtement faible friction
Harness base:	Tissu nylon recouvert de polyuréthane, rembourrage en mousse de polyuréthane recouvert d'un tissu élastique polyester 3D

MISES EN GARDE ET CONSIGNES DE SÉCURITÉ

Le Vicair AllRounder O2 a été conçu pour l'usage tel que décrit dans ce manuel. L'utilisation de ce produit de toute autre manière est considérée comme abusive. Vicair B.V. ne peut être tenu responsable de dommages causés par une mauvaise utilisation, une utilisation incorrecte ou une négligence. Assurez-vous de lire et comprendre intégralement ce manuel.

Attention ! Votre coccyx et vos os pelviens ne doivent pas toucher le fond du coussin. Une vérification pour éviter tout talonnement doit être effectuée lors de la première utilisation et après ajustements du remplissage du coussin.

Attention ! Examinez votre peau régulièrement pour voir s'il y a des rougeurs, surtout lors de votre 1^{ère} utilisation, ou si vous avez une peau particulièrement sensible ou si vous faites du Vicair AllRounder O2 un usage intense. Ces facteurs sont susceptibles d'affecter votre tolérance cutanée. Si des rougeurs apparaissent et ne disparaissent pas sous 15 minutes, consultez votre thérapeute ou conseiller technique.

Attention ! Vicair B.V. recommande d'ajuster le niveau de remplissage sous la supervision directe de votre thérapeute ou conseiller technique.

Attention ! Ne pas trop serrer la sangle de soutien des hanches et les sangles de soutien des jambes. Cela pourrait gêner la circulation sanguine ou entraîner un inconfort.

Attention ! Portez systématiquement un gilet de sauvetage lorsque vous utilisez le Vicair AllRounder O2 lors de vos activités nautiques.

Attention ! En cas de salissure avec des liquides corporels, et avant de le transférer à un autre utilisateur, le coussin doit être désinfecté pour éviter toute contamination croisée.

Attention ! Sous trois mois, vérifier l'usure et s'il y a d'éventuelles cellules dégonflées. En

cas de dommage grave ou de nombre important de cellules dégonflées, consultez votre revendeur.

Attention ! Ne pas utiliser le produit ou le laisser à proximité d'une flamme ou d'une source de chaleur à haute température.

Attention ! Ne pas nettoyer le produit à la vapeur ou à l'autoclave. Le produit ne peut pas résister à une chaleur ou une pression excessive. Lorsque les instructions de nettoyage données ne sont pas suivies, il est très probable que le produit vieillisse plus rapidement.

Attention ! Ne pas utiliser de nettoyeurs agressifs ou abrasifs ou des objets pointus pour nettoyer le coussin.

Attention ! Ne pas placer le dessus du coussin Vicair O2 contre le verre de la porte du lave-linge.

INSTALLATION

Attention ! Ne pas trop serrer la sangle de soutien des hanches et les sangles de soutien des jambes. Cela pourrait gêner la circulation sanguine ou entraîner un inconfort.

Vérifiez la taille de votre Vicair AllRounder O2

Mesurez la largeur de vos hanches pour choisir la taille qui vous convient. En position assise, tenir un mètre de couturière horizontalement au-dessus du point le plus large de jambes supérieures, étroitement contre la face de hanches. Ne suivez pas les contours de votre jambes, maintenir droit le mètre de couturière. Voir figure 1. Mesurez de A à B (ou B à A).

Largeur A à B est:

- < 38 cm / < 15 inch = Vicair AllRounder O2 Taille S (Small)
- 38 – 42,5 cm / 15- 16¾ inch = Vicair AllRounder O2 Taille M (Medium)
- 43 - 48 cm / 17 - 19 inch = Vicair AllRounder O2 Taille L (Large)

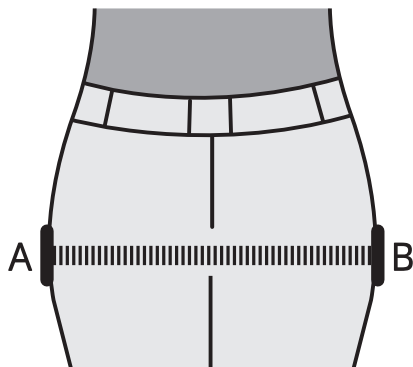


Figure 1

S'il vous est impossible de faire vos mesures selon la méthode ci-dessus, vous pouvez utiliser la taille de votre coussin d'assise comme taille de référence. Voir X figure 2. Mesurez la largeur de votre coussin ou consultez les dimensions sur l'étiquette.

La largeur de coussin est:

- < 40 cm / < 16 inch = Vicair AllRounder O2 Taille S (Small)
- 40 – 44,5 cm / 16 - 17¾ inch = Vicair AllRounder O2 Taille M (Medium)
- 45 - 50 cm / 18 - 20 inch = Vicair AllRounder O2 Taille L (Large)

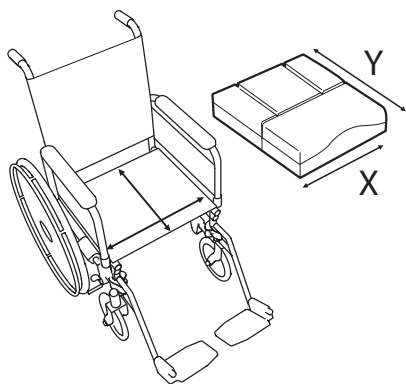


Figure 2

Effectuez les étapes suivantes lors de l'installation du Vicair AllRounder O2

Ces étapes correspondent aux images 1-5 d'installation dans le guide d'installation rapide. Image i (I, II & III) montre comment vous (ré) assemblez ce coussin (chapitre 'Utilisation'):

- Placez le Vicair AllRounder O2 sur une surface dure ou une chaise, avec les sangles pour la taille et les jambes non bouclées.
- Transférez-vous de votre fauteuil sur le Vicair AllRounder O2 et assurez-vous d'être bien positionné.
- Bouclez la ceinture à la taille
- Ajuster la ceinture à la taille sans trop serrer. Replier le surplus de sangle dans les boucles situées sur la harnais de base.
- Bouclez les sangles des cuisses. Vous pouvez placer le clip du bout de la sangle au-dessus de celui situé sur le Harness base (harnais de base) et les appuyer l'un sur l'autre jusqu'à ce que le clip s'enclenche.
- Ajuster les sangles autour de vos cuisses sans trop serrer. Les parties élastiques servent à diminuer les pressions sur les tissus et la peau.

Vérification du talonnement :

Image 6 - Quick Installation Guide

Avvertissement ! Votre coccyx et vos os pelviens ne doivent pas toucher le fond du coussin. Une vérification pour éviter tout talonnement doit être effectuée lors de la première utilisation et après ajustements du remplissage du coussin.

Avvertissement ! Vicair B.V. recommande d'ajuster le niveau de remplissage sous la supervision directe de votre thérapeute ou conseiller technique.

- Vérifiez le risque talonnement après être resté assis sur le coussin pendant environ 5 minutes.
- Laissez votre thérapeute ou conseiller technique glisser une main entre votre

postérieur et le coussin Vicair tout en vous penchant en avant.

- Demandez à votre thérapeute ou conseiller technique de vérifier si votre postérieur appuie sur une épaisseur d'au moins une couche de SmartCells. Cela empêche votre fessier de toucher la surface (dur) sous le Vicair AllRounder O2.
- Ne pas utiliser le coussin si vous constatez un talonnement. Dans la plupart des cas, l'ajustement du remplissage des compartiments résout le problème.

UTILISATION

Vérifier si des rougeurs apparaissent sur la peau

Image 7 - Quick Installation Guide

Avertissement ! Examinez votre peau régulièrement pour voir s'il y a des rougeurs, surtout lors de votre 1^{ère} utilisation, ou si vous avez une peau particulièrement sensible ou si vous faites du Vicair AllRounder O2 un usage intense. Ces facteurs sont susceptibles d'affecter votre tolérance cutanée. Si des rougeurs apparaissent et ne disparaissent pas sous 15 minutes, consultez votre thérapeute ou conseiller technique.

Prêt à l'emploi

Ce produit Vicair est prêt à l'emploi. Il dispose d'un taux de remplissage unique, selon la taille et le modèle. Cependant, si cela s'avère nécessaire le niveau de remplissage peut être ajusté en enlevant ou en ajoutant des SmartCells dans les différents compartiments. Vous pouvez trouver la configuration initiale pour le remplissage sur l'étiquette apposée sur le coussin.

Ajustement du niveau de remplissage

Image i - Quick Installation Guide

Avertissement! Vicair B.V. recommande d'ajuster le niveau de remplissage sous la

supervision directe de votre thérapeute ou conseiller technique. Enlever le Harness base (harnais de base) avant d'ajuster le niveau de remplissage. Voir 'Enlever/ remplacer le Harness basé' pour les instructions.

Conditions d'utilisation et de stockage

Attention ! Ne pas utiliser le produit ou le laisser à proximité d'une flamme ou d'une source de chaleur à haute température.

- **Poids de l'utilisateur :**
Minimum : 15 kg / 33 lb,
maximum : 100 kg / 220 lb
- **Température :**
Minimum : -20 °C / 4 °F,
maximum : 55 °C / 131 °F

- **Usage à haute altitude**

Remarque ! Étant donné que chaque SmartCell est remplie d'air, le coussin peut se comporter différemment lorsqu'il est utilisé à haute altitude ou dans un avion. Dans ce cas, la fermeté du coussin peut être ajustée en enlevant quelques cellules de chaque compartiment.

- **Humidité atmosphérique :**
Minimum : 0 %, maximum 100 %

Utilisation durant les activités nautiques

Avertissement ! Portez systématiquement un gilet de sauvetage lorsque vous utilisez le Vicair AllRounder O2 lors de vos activités nautiques.

Utilisation dans des véhicules automobiles

Le système de ceinture de sécurité d'un véhicule n'est pas fiable lors d'utilisation de coussins normaux pour fauteuil roulant. Le Vicair AllRounder O2 peut servir d'alternative sûre si vous avez besoin d'une protection d'appoint pendant le transport.

Redonner du gonflant quotidiennement

Vicair B.V. vous recommande de redonner du gonflant à votre Vicair AllRounder O2 coussin avant de l'utiliser au quotidien.

Réutilisation - Transfert du produit à un autre utilisateur

Le produit convient pour une utilisation répétée. Le nombre de fois qu'il peut être utilisé dépend de la fréquence et de la façon dont le produit est utilisé. Le produit doit être soigneusement nettoyé et désinfecté avant qu'une autre personne soit autorisée à l'utiliser. Voir les instructions du chapitre « Maintenance et nettoyage ».

Remarque ! Assurez-vous que le produit soit correctement ajusté pour le nouvel utilisateur.

Enlever/ remplacer le Harness base

Image i - Quick Installation Guide

En cas d'usure du Harness base (harnais de base) ou de l'une des sangles du Vicair AllRounder O2, le remplacer. Un Harness base de rechange peut être acheté séparément. Pour ajuster le nombre de SmartCells du coussin vous devrez également retirer le Harness base temporairement.

Pour retirer et remplacer la base du harnais, procédez comme suit. Ces instructions correspondent aux images i (I, II et III) du guide d'installation rapide.

- Séparez le coussin du harnais de base grâce au zipper situé tout autour du coussin.
- Pour ajuster le remplissage ouvrez le zipper du coussin. Ajoutez ou enlevez le nombre de SmartCells voulu d'un ou de plusieurs compartiments, puis refermez le zipper. Assurez-vous de ne pas endommager les SmartCells.

- Accrochez le coussin sur le (nouveau) harnais de base en utilisant le zipper situé tout autour du coussin. Assurez-vous de ne pas endommager le coussin.

Traitement des déchets

Le traitement et le recyclage des produits usages et leur emballage doivent être conformes à la législation en vigueur. Assurez-vous que le produit a été préalablement nettoyé avant de le jeter afin d'éviter tout risque de contamination.

MAINTENANCE ET NETTOYAGE

Avertissement ! Sous trois mois, vérifier l'usure et s'il y a d'éventuelles cellules dégonflées. En cas de dommage grave ou de nombre important de cellules dégonflées, consultez votre revendeur.

Attention ! Ne pas nettoyer le produit à la vapeur ou à l'autoclave. Le produit ne peut pas résister à une chaleur ou une pression excessive. Lorsque les instructions de nettoyage données ne sont pas suivies, il est très probable que le produit vieillisse plus rapidement.

Attention ! Ne pas utiliser de nettoyeurs agressifs ou abrasifs ou des objets pointus pour nettoyer le coussin.

Attention ! Ne pas placer le dessus du coussin Vicair O2 contre le verre de la porte du lave-linge.

Nettoyage du Vicair AllRounder O2

Votre Vicair AllRounder O2 peut être lavé en machine à 60°C / 140°F avec un cycle anti-froissage et une lessive douce. Fermez la sangle de ceinture et les sangles de jambes avant lavage. Il n'est pas nécessaire de retirer les SmartCells ou la base du harnais avant de placer le Vicair AllRounder O2 dans le lave-linge.

Assurez-vous que le dessus du coussin ne soit pas placé contre le verre de la porte du lave-linge. Ne pas charger la machine avec plus de la moitié de son poids de charge maximal. La vitesse d'essorage doit être réduite. Lors de l'utilisation d'une machine avec agitateur, assurez-vous que le coussin puisse bouger librement dans le tambour. Ne pas utiliser d'eau de javel et ne pas nettoyer à sec ! Ne pas sécher votre Vicair AllRounder O2, mais laissez-le sécher à l'air libre.



Désinfection de votre Vicair AllRounder O2

Avertissement ! En cas de salissure avec des liquides corporels, et avant de le transférer à un autre utilisateur, le produit doit être désinfecté pour éviter toute contamination croisée. Nettoyez le Vicair AllRounder O2 comme indiquée ci-dessus. Utilisez de préférence un détergent antibactérien. Après le lavage, pulvérisez un désinfectant sur votre Vicair AllRounder O2. Pliez les compartiments vers l'extérieur pour vous assurer que la pulvérisation pénètre dans les interstices.

GARANTIE

Pour obtenir les informations complètes sur les processus et conditions de garantie, veuillez consulter notre site www.vicair.com.

Vicair B.V. offre une garantie limitée contre les défauts de fabrication et de matériaux à condition que le produit ait fait l'objet d'une utilisation normale. L'usure normale et tout dommage résultant d'une utilisation anormale ou causé par une mauvaise manipulation, un problème de nettoyage ou une négligence, est exclu de cette garantie.

Période de garantie

À partir de la date d'achat d'origine : 24 mois.
Les SmartCells de ce coussin Vicair O2 bénéficient d'une garantie à vie.

Si un défaut de matériaux ou de fabrication se produit dans la période de garantie susmentionnée, Vicair B.V. réparera ou remplacera le produit gratuitement à sa discrétion.

Les recours en cas de violation des garanties expresses aux présentes sont limités à la réparation ou au remplacement du produit. En aucun cas des dommages-intérêts pour violation de toute garantie n'incluent des dommages indirects ou ne dépassent le coût des marchandises non conformes vendues.

Vous avez des questions ?

Contactez Vicair B.V. via info@vicair.com ou contactez le distributeur Vicair de votre pays.

Kære kunde,

Tak for dit valg af et Vicair®-produkt. Vi er sikker på, at du vil sætte pris på enkelheden, pålideligheden og den fantastiske effekt. Du kan bruge vejledningen til hurtig installation, der fulgte med din pude. Derudover bør du læse og forstå denne brugervejledning inden brug. Gem både hurtig-installationsvejledningen og denne vejledning til fremtidig brug.

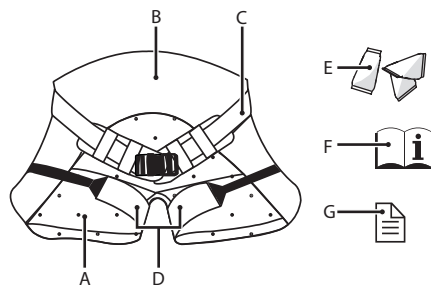
Kontakt forhandleren i dit land for yderligere oplysninger eller for at (gen-)bestille vejledninger.

Gå ind på vicair.com for oplysninger om forhandlere.

INTRODUKTION

Vicair AllRounder O2 er en pude, der spændes fast til din krop. Den giver en høj grad af hudbeskyttelse for personer med stor risiko for at udvikle tryksår. Denne pude til sporadisk brug har til formål at yde komfort og forhindre tryksår i situationer, der ikke tillader eller kræver brug af en kørestol. Vicair AllRounder O2 kan vaskes i vaskemaskine uden at fjerne Harness base eller SmartCells!

HOVEDBESTANDDELE



- A. Pude
- B. Harness base
- C. Taljestroop
- D. Benstroppe
- E. SmartCells™, placeret i 5 inddelingsrum
- F. Brugervejledning
- G. Vejledning til hurtig installation (Quick Installation Guide)

GENERELLE PRODUKTSPECIFIKATIONER

Produktnavn:	Vicair AllRounder O2
Fremstillet af:	Vicair B.V., Holland
Garanti:	24 måneder
Vægt:	0,75 kg / 1,65 lbs (str. M)
Tilgængelige størrelser:	Small, Medium, Large
Anvendte materialer:	Alle fri for latex
Pude:	Polyesternetstof
Pudefyld:	Luftfyldte SmartCells med lavfriktionsovertræk
Harness base:	Polyuretan-dækket nylonstof. Med et indvendigt polyuretan-skumlag, dækket med et strikket elastisk polyester 3D-netstof.

FORANSTALTNINGER OG SIKKERHEDSANVISNINGER

Vicair AllRounder O2 må kun anvendes som beskrevet i denne vejledning. Enhver anden brug af dette produkt vil blive anset for at være misbrug. Vicair B.V. kan ikke holdes ansvarlig for skader forårsaget af misbrug, forkert brug eller forsømmelighed. Sørg for at læse og forstå denne vejledning fuldstændigt.

Advarsel! Dit haleben og dine hofteben bør ikke røre pudens bund. Under første brug og efter justeringer af pudefyldet bør det kontrolleres, hvis bunden nås.

Advarsel! Se regelmæssigt din hud efter for rødme. Især under første brug, med ekstra følsom hud og/eller under ekstra kraftig brug. Disse er alle faktorer, der kan påvirke dine hudtolerancer. Hvis der opstår rødme, som ikke forsvinder efter 15 minutter, bør du rådføre dig med din terapeut eller tekniske rådgiver.

Advarsel! Vicair B.V. anbefaler, at fyldningsgraden justeres under direkte overvågning af din terapeut eller tekniske rådgiver.

Advarsel! Fastspænd ikke taljestropp eller benstropper for stramt. Dette kan forårsage en reduktion af blodstrøm og/eller ubehag.

Advarsel! Hav en redningsvest på, når du bruger Vicair AllRounder O2 under vandsportsaktiviteter.

Advarsel! Hvis produktet skulle blive snavset af kropsvæsker, og når det gives videre til en anden bruger, skal det desinficeres for at undgå smitte.

Advarsel! Hver tredje måned skal produktet ses efter for slid og flade celler. I tilfælde af alvorlig skade eller et stort antal flade celler må produktet ikke længere bruges. Rådfør dig med din forhandler.

Forsigtig! Undlad at bruge eller lade produktet ligge tæt på åben ild eller en varmekilde med høj temperatur.

Forsigtig! Undlad at damprense eller autoklavere produktet. Produktet kan ikke modstå ekstrem varme eller stærkt tryk. Når de angivne rengøringsanvisninger ikke følges, er det højst sandsynligt, at produktet ældes hurtigere.

Forsigtig! Brug ikke ætsende eller slibende rengøringsmidler eller skarpe genstande til at rengøre puden.

Forsigtig! Anbring ikke oversiden af Vicair O2-puden mod glasset i vaskemaskinens dør.

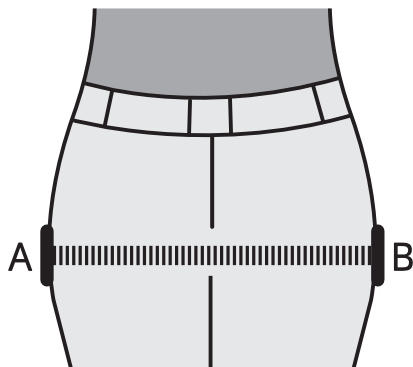
INSTALLATION

Advarsel! Fastspænd ikke taljestropp eller benstropper for stramt. Dette kan forårsage en reduktion af blodstrøm og/eller ubehag.

Kontrol af størrelsen af Vicair AllRounder O2
Mål bredden af dine hofter for at kontrollere, om størrelsen af Vicair AllRounder O2 stemmer overens med størrelsen af din krop. Mens du sidder ned, skal du holde et målebånd horisontalt over det bredeste punkt af den øverste del af dine ben. Følg ikke dine bens konturer, og hold målebåndet lige. Se figur 1. Mål fra A til B (eller B til A).

Bredde A til B er:

- < 38 cm / < 15 inch = Vicair AllRounder O2 Størrelse S (lille)
- 38 – 42,5 cm / 15- 16¾ tommer = Vicair AllRounder O2 Størrelse M (Medium)
- 43 - 48 cm / 17 - 19 tommer = Vicair AllRounder O2 Størrelse L (Large)

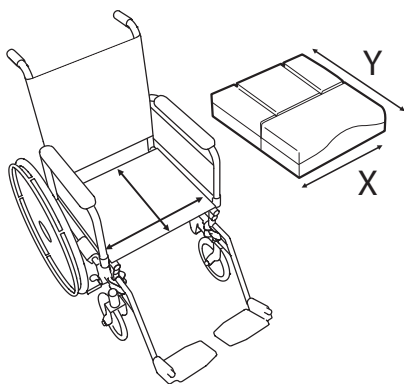


Figur 1

Hvis det ikke er muligt at udføre ovenstående målemetode, kan du bruge størrelsen af din kørestolspude som en størrelsesreference. Se X på figur 2. Mål bredden af din pude, eller kontrollér pudemærkatens for at finde bredden på din pude.

Kørestolspudens bredde er:

- < 40 cm / < 16 tommer = Vicair AllRounder O2 Størrelse S (lille)
- 40 – 44,5 cm / 16 - 17¾ tommer = Vicair AllRounder O2 Størrelse M (Medium)
- 45 - 50 cm / 18 - 20 tommer = Vicair AllRounder O2 Størrelse L (Large)



Figur 2

Udfør følgende trin under installation af Vicair AllRounder O2

Disse trin svarer til installationsbillederne 1-5 i vejledningen til hurtig installation. Billede i (I, II & III) viser, hvordan du fjerner Harness base med henblik på udskiftning eller pudejusteringer (kapitlet 'Brug'):

- Anbring Vicair AllRounder O2 på en fast overflade eller på en stol. Taljestroppen og benstropperne skal spændes op
- Flyt dig fra din kørestol til Vicair AllRounder O2, og sørg for, at du har en god position.
- Luk taljestroppen.
- Spænd taljestroppen ved at følge din taljes konturer løst. Overskydende taljestropp kan proppes væk i taljestropholderne, der er fastgjort til Harness base.
- Luk benstropperne. Du kan placere klemmen ved benstroppens ende oven på klemmen på Harness base og trykke de to sammen, indtil de låses.
- Spænd de to benstropper ved at følge dine bens konturer løst. De elastiske dele minimerer hud- og vævskompressionen.

Kontrol, om bunden nås:

Billede 6 - Quick Installation Guide

Advarsel! Dit haleben og dine hofteben bør ikke røre pudens bund. Under første brug og efter justeringer af pudefyldet bør det kontrolleres, hvis bunden nås.

Advarsel! Vicair B.V. anbefaler, at fyldningsgraden justeres under direkte overvågning af din terapeut eller tekniske rådgiver.

- Se efter, om bunden nås, når du har siddet på puden i ca. 5 minutter.
- Lad din terapeut eller tekniske rådgiver føre en hånd ind mellem din bagdel og Vicair-puden, mens du læner dig fremad.

- Bed din terapeut eller tekniske rådgiver om at se efter, om dine nederste knoglefremspring understøttes af mindst 1 lag SmartCells™. Dette forhindrer dem i at berøre den (hårde) overflade under Vicair AllRounder O2.
- Brug ikke puden, hvis bunden af puden nås. I de fleste tilfælde vil det løse problemet at justere pudeinddelingsrummenes fyldningsgrad.

BRUG

Se efter rødmen af huden

Billede 7 - Quick Installation Guide

Advarsel! Se regelmæssigt din hud efter for rødme. Især under første brug, med ekstra følsom hud og/eller under ekstra kraftig brug. Disse er alle faktorer, der kan påvirke dine hudtolerancer. Hvis der opstår rødme, som ikke forsvinder efter 15 minutter, bør du rådføre dig med din terapeut eller tekniske rådgiver.

Klar til brug

Dette Vicair-produkt er klar til brug. Det har sin egen unikke fyldningsgrad, afhængig af størrelse og model. Om nødvendigt kan fyldningsgraden dog justeres ved at fjerne eller tilføje SmartCells fra/til de forskellige inddelingsrum. Du kan finde standardfyldningsgraden på mærkatet, der er fastgjort på puden.

Justering af fyldningsgraden

Billede i - Quick Installation Guide

Advarsel! Vicair B.V. anbefaler, at fyldningsgraden justeres under direkte overvågning af din terapeut eller tekniske rådgiver. Fjern først Harness base for at justere fyldningsgraden. Se 'Fjernelse/udskiftning af Harness base' for anvisninger.

Betingelser for brug og opbevaring

Forsigtig! Undlad at bruge eller lade produktet ligge tæt på åben ild eller en varmekilde med høj temperatur.

- **Brugervægt:**
Minimum: 15 kg / 33 lbs,
maksimum: 100 kg / 220 lbs
- **Temperatur:**
Minimum: -20 °C / 4 °F,
maksimum: 55 °C / 131 °F
- **Brug ved store højdegrader**
Bemærk! Da hver SmartCell er fyldt med luft, vil puden muligvis være påvirket, når den bruges ved store højder eller i et fly. Under sådanne forhold kan pudens hårdhed justeres ved at fjerne nogle få celler fra hvert inddelingsrum.
- **Luftfugtighed:**
Minimum: 0 %, maksimum 100 %

Brug under vandsport

Advarsel! Hav en redningsvest på, når du bruger Vicair AllRounder O2 under vandsportsaktiviteter.

Brug i motorkøretøjer

Normale kørestolepuder kan gøre køretøjets sikkerhedsselesystem upålideligt. Vicair AllRounder O2 kan bruges som et sikkert alternativ, hvis du kræver yderligere beskyttelse under transport.

Opruskning af pude

Vicair B.V. anbefaler at ruske op i pudedelen af din Vicair AllRounder O2 inden brug.

Genbrug - Overdragelse af produktet til en anden bruger

Produktet er velegnet til gentagen brug. Det antal gange, det kan bruges, afhænger af hvor tit og på hvilken måde produktet anvendes. Produktet skal rengøres og desinficeres grundigt, inden en anden person må bruge det.

Se kapitlet 'Vedligeholdelse og rengøring' for anvisninger.

Bemærk! Sørg for, at produktet er justeret korrekt til den anden person.

Fjernelse/udskiftning af Harness base

Billede i - Quick Installation Guide

Hvis Harness base (eller en af dens stropper) på din Vicair AllRounder O2 er slidt, skal Harness base udskiftes. En reserve-Harness base kan købes separat. Du er også nødt til at fjerne Harness base midlertidigt, når du skal justere fyldningsgraden.

Udfør følgende trin for at fjerne og udskifte Harness base. Disse anvisninger svarer til billede i (I, II & III) i vejledningen til hurtigt installation.

- Åbn lynlåsen helt ved at følge bunden af puden for at løsne Harness base fra puden.
- Åbn nu pudens lynlås for at justere fyldningsgraden. Tilføj eller fjern det ønskede antal SmartCells fra et eller flere inddelingsrum, og luk lynlåsen. Sørg for, at du ikke beskadiger SmartCells.
- Fastgør puden til (reserve-)Harness base ved hjælp af lynlåsen ved at følge pudens pund. Sørg for, at du ikke beskadiger puden.

Bortskaffelse

Bortskaffelsen og genbrugen af brugte enheder og emballage skal overholde de gældende bestemmelser. Sørg for, at produktet bliver rengjort inden bortskaffelse, for at undgå risiko for kontaminering.

VEDLIGEHOLDELSE OG RENGØRING

Advarsel! Hver tredje måned skal produktet ses efter for slid og flade celler. I tilfælde af alvorlig skade eller et stort antal flade celler må produktet ikke længere bruges. Rådfør dig med din forhandler.

Forsigtig! Undlad at damprense eller autoklavere produktet. Produktet kan ikke modstå ekstrem varme eller stærkt tryk. Når de angivne rengøringsanvisninger ikke følges, er det højst sandsynligt, at produktet ældes hurtigere.

Forsigtig! Brug ikke ætsende eller slibende rengøringsmidler eller skarpe genstande til at rengøre puden.

Forsigtig! Anbring ikke oversiden af Vicair O2-puden mod glasset i vaskemaskinens dør.

Rengøring af Vicair AllRounder O2

Din Vicair AllRounder O2 kan maskinvaskes ved 60°C / 140°F ved hjælp af en anti-krøl-cyklus og et mildt vaskemiddel. Luk taljestroppen og benstropperne inden vask. Det er ikke nødvendigt at fjerne SmartCells eller Harness base, før Vicair AllRounder O2 lægges i vaskemaskinen. Sørg for, at pudens øverste side ikke anbringes imod glasset på vaskemaskinedøren. Fyld ikke maskinen med mere end halvdelen af dens maksimale fyldvægt. Omdrejningshastigheden bør reduceres. Sørg for, at puden kan bevæge sig frit i tromlen, når der bruges en maskine med omrører. Brug ikke noget klorblegemiddel, og send den ikke til rensning! Tør ikke Vicair AllRounder O2 i tørretumbleren, men lad den lufttørre.



Desinfektion af din Vicair AllRounder O2

Advarsel! Hvis produktet skulle blive tilsnævset af kropsvæsker, og når det gives videre til en anden bruger, skal det desinficeres for at undgå smitte. Rengør Vicair AllRounder O2 som anvist herover. Der bør helst bruges et antibakterielt vaskemiddel. Når den er blevet rengjort, bør du sprøjte desinficerende middel på Vicair AllRounder O2. Bøj inddelingsrummene udad for at sikre, at sprayen kommer ind i mellemrummene.

GARANTI

Se www.vicair.com for udførlige oplysninger om garantiprocesser, betingelser og vilkår. Vicair B.V. tilbyder en begrænset garanti mod fejl i udførelse og materialer, såfremt produktet er blevet anvendt normalt. Normalt slid og enhver skade, der måtte opstå under unormal brug, eller som forårsages af forkert håndtering og rengøring eller forsømmelse, er ikke dækket af denne garanti.

Garantiperiode

Fra den originale købsdato: 24 måneder.
De SmartCells, der er i denne Vicair O2-pude, har en livslang garantiperiode.

Hvis der skulle opstå en fejl i materialer eller udførelse inden for den ovennævnte garantiperiode, vil Vicair B.V. – efter eget valg – reparere eller udskifte produktet gratis. Afhjælpning af brud på udtrykkelige garantier heri er begrænset til reparation eller udskiftning af produktet. Under ingen omstændigheder skal erstatning for brud på nogen som helst garanti omfatte nogen form for følgeskader eller overstige omkostningerne for mangelfulde solgte varer.

Har du spørgsmål?

Kontakt Vicair B.V. på info@vicair.com eller kontakt Vicair-forhandleren i dit land.

Bästa kund,

tack för att du har valt en produkt från Vicair®. Vi är övertygade om att du kommer att uppskatta produktens enkelhet, pålitlighet och enastående egenskaper. För snabb installation av dynan kan du använda dig av den medföljande snabbinstallationsguiden. Se även till att läsa och förstå denna bruksanvisning innan produkten tas i bruk. Spara både snabbinstallationsguiden och denna bruksanvisning för framtida referens.

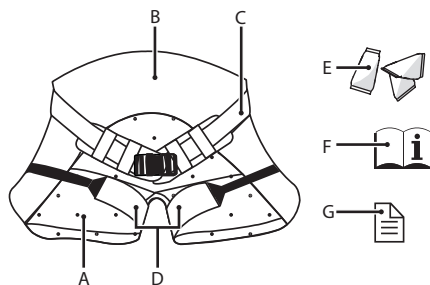
Kontakta återförsäljaren i ditt land för mer information eller beställning av bruksanvisningar.

Besök vicair.com för information om återförsäljare.

INTRODUKTION

Vicair AllRounder O2 är en dyna som spänns fast på din kropp. Den ger en hög grad av hudskydd för personer med hög risk att utveckla trycksår. Denna dyna för tillfälligt bruk bidrar till komfort och förebygger uppkomsten av trycksår i situationer som inte tillåter eller kräver användning av rullstol. Vicair AllRounder O2 kan maskintvättas utan att Harness base (selens bas) eller SmartCells behöver avlägsnas!

HUVUDKOMPONENTER



- A. Dyna
- B. Harness base
- C. Midjerem
- D. Benremmar
- E. SmartCells™, placerade i 5 separata fack
- F. Bruksanvisning
- G. Snabbinstallationsguide (Quick Installation Guide)

ALLMÄNNA PRODUKTSPECIFIKATIONER

Produktnamn:	Vicair AllRounder O2
Tillverkad av:	Vicair B.V., The Netherlands
Garanti:	24 månader
Vikt:	0,75 kg / 1,65 lbs (storlek M)
Tillgängliga storlekar:	small, medium, large
Material:	Endast latexfria polyestertyg med nätmaskor
Dyna:	polyestertyg med nätmaskor
Dynans stoppning:	Luftfyllda SmartCells med lågfriktionsyta
Harness base:	polyuretanbelagt nylontyg. Med ett invändigt polyuretanskumlager, täckt med stickat elastiskt 3D-polyestertyg med nätmaskor.

FÖRSIKTIGHETSÅTGÄRDER OCH SÄKERHETSANVISNINGAR

Vicair AllRounder O2 får endast användas enligt beskrivningen i denna bruksanvisning. All annan användning av denna produkt anses vara felaktig. Vicair B.V. kan inte hållas ansvarigt för skador som uppstår till följd av felaktig användning, icke avsedd användning eller vårdslöshet. Se till att hela denna bruksanvisning har lästs och förstås.

Varning! Svanskotan och bäckenbenet får inte vidröra dynans botten ("bottoming out").

Kontroll att så inte sker ska utföras i samband med första användningen och efter justeringar av dynans stoppning.

Varning! Kontrollera regelbundet huden avseende rodnad. Detta gäller i synnerhet vid första användningen, vid extra känslig hud och/eller under särskilt påfrestande användning. Alla dessa faktorer kan påverka hudtoleransen. Rådfråga ansvarig terapeut eller hjälpmedelskonsulent om rodnad som inte försvinner inom 15 minuter uppstår.

Varning! Vicair B.V. rekommenderar att justering av fyllnadsgraden sker under direkt överinseende av en terapeut eller en hjälpmedelskonsulent.

Varning! Spänn inte midjeremmen eller benremmarna för hårt. Det kan leda till minskat blodflöde och/eller obehag.

Varning! Använd en flytväst tillsammans med Vicair AllRounder O2 om den används under vattensportaktiviteter.

Varning! Om produkten förorenas med kroppsvätskor eller överförs till annan brukare måste den desinficeras för att undvika korskontaminering.

Varning! Kontrollera produkten avseende slitage och tömda luftkuddar var tredje månad. Fortsätt

inte att använda produkten om den är allvarligt skadad eller ett stort antal luftkuddar är tömda. Rådgor med din återförsäljare.

Försiktighet! Använd eller förvara inte produkten nära öppen eld eller värmekälla som avger hög temperatur.

Försiktighet! Ångrengör eller autoklavera inte produkten. Produkten tål inte stark värme eller högt tryck. Om angivna rengöringsanvisningar inte följs kommer livslängden för produkten med stor sannolikhet att förkortas.

Försiktighet! Använd inte aggressiva eller slipande rengöringsmedel eller vassa föremål för att rengöra dynan.

Försiktighet! Placera inte Vicair O2-dynans ovansida mot glaset på tvättmaskinens lucka.

INSTALLATION

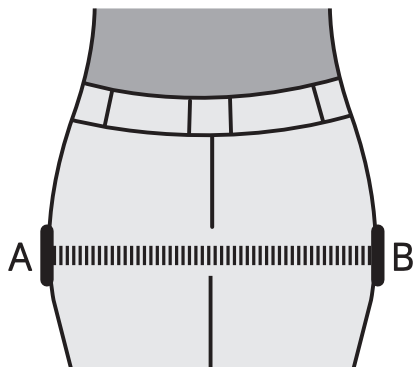
Varning! Spänn inte midjeremmen eller benremmarna för hårt. Det kan leda till minskat blodflöde och/eller obehag.

Kontrollera storleken på Vicair AllRounder O2

Mät din höftbredd för att kontrollera om storleken på Vicair AllRounder O2 passar till din kroppsform. Sitt upp och håll ett måttband horisontellt över den bredaste punkten på dina lår, tätt mot framsidan av dina höfter. Följ inte benens konturer utan håll måttbandet rakt. Se figur 1. Mät från A till B (eller B till A).

Bredden A till B är:

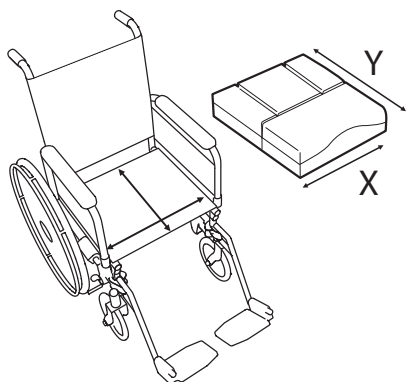
- < 38 cm / < 15 tum = Vicair AllRounder O2 storlek S (small)
- 38–42,5 cm / 15–16¾ tum = Vicair AllRounder O2 storlek M (medium)
- 43–48 cm / 17–19 tum = Vicair AllRounder O2 storlek L (large)



Figur 1

Om mätning inte kan utföras med ovanstående metoden kan storleken på din rullstolsdyna användas som storleksreferens. Se X i figur 2. Mät bredden på din dyna eller läs på dynans etikett för att få reda på dynans bredd. Rullstolsdynans bredd är:

- < 40 cm / < 16 tum = Vicair AllRounder O2 storlek S (small)
- 40–44,5 cm / 16–17¾ tum = Vicair AllRounder O2 storlek M (medium)
- 45–50 cm / 18–20 tum = Vicair AllRounder O2 storlek L (large)



Figur 2

Utför följande steg när du installerar Vicair AllRounder O2

Dessa steg motsvarar installationsbilderna 1–5 i snabbinstallationsguiden. Bild i (I, II och III) visar hur man avlägsnar Harness base (selens bas) i samband med byte eller justering av dynan (kapitel "Användning"):

- Placera Vicair AllRounder O2 på en stol eller annan stabil yta. Midjeremmen och benremmarna ska inte vara fastspända.
- Flytta över från din rullstol till Vicair AllRounder O2 och se till att du sitter bra.
- Spänn fast midjeremmen.
- Dra åt midjeremmen så att den löst följer din midjas konturer. Överbliven midjerem kan stoppas in i midjeremshållarna som sitter fast i Harness base.
- Spänn fast benremmarna. Du kan placera spännet från benremmens ände ovanpå spännet på Harness base och trycka ihop dessa tills de låses fast.
- Dra åt de två benremmarna så att de löst följer dina bens konturer. Tack vare de elastiska delarna kan tryck på hud och vävnad minimeras.

Kontroll avseende kroppskontakt med dynans botten ("bottoming out"):

Bild 6 – Quick Installation Guide

Varning! Svanskotan och bäckenbenet får inte vidröra dynans botten ("bottoming out").

Kontroll att så inte sker ska utföras i samband med första användningen och efter justeringar av dynans stoppning.

Varning! Vicair B.V. rekommenderar att justering av fyllnadsgraden sker under direkt överinseende av en terapeut eller en hjälpmedelskonsulent.

- Kontrollera att ingen kroppskontakt med dynans botten föreligger (bottoming out) efter att ha suttit på den i cirka 5 minuter.
- Låt din terapeut eller hjälpmedelskonsulent skjuta in en hand mellan din bakdel och Vicair-dynan samtidigt som du lutar dig framåt.
- Låt terapeuten eller hjälpmedelskonsulenten kontrollera om dina nedersta benutskott stöds av minst ett lager SmartCells™. Detta förhindrar att de vidrör den (hårda) ytan under Vicair AllRounder O2.
- Använd inte dynan om kroppskontakt med dynans botten uppstår. I de flesta fall kan en justering av fyllnadsgraden i dynans fack lösa eventuella problem.

ANVÄNDNING

Kontroll av hudrodnad

Bild 7 – Quick Installation Guide

Varning! Kontrollera regelbundet huden avseende rodnad. Detta gäller i synnerhet vid första användningen, vid extra känslig hud och/eller under särskilt påfrestande användning. Alla dessa faktorer kan påverka hudtoleransen. Rådfråga ansvarig terapeut eller hjälpmedelskonsulent om rodnad som inte försvinner inom 15 minuter uppstår.

Redo för användning

Denna Vicair-produkt levereras klar för användning. Fyllnadsgraden varierar beroende på dynans storlek och modell. Vid behov kan dock fyllnadsgraden justeras genom att SmartCells avlägsnas från/tillförs till de olika facken. Standardfyllnadsgraden anges på dynans etikett.

Justering av fyllnadsgraden

Bild i – Quick Installation Guide

Varning! Vicair B.V. rekommenderar att justering av fyllnadsgraden sker under direkt

överinseende av en terapeut eller en hjälpmedelskonsulent. För att justera dynans fyllnadsgrad måste Harness base (selens bas) först avlägsnas. Se "Avlägsna/byta Harness base (selens bas)" för anvisningar.

Förutsättningar för användning och förvaring

Försiktighet! Använd eller förvara inte produkten nära öppen eld eller värmekälla som avger hög temperatur.

- **Användarvikt:**
Lägsta: 15 kg / 33 lbs, Max: 100 kg / 220 lbs
- **Temperatur:**
Lägsta: -20 °C / 4 °F, Max: 55 °C / 131 °F
- **Användning på hög höjd**
Observera! Då varje enskild SmartCell är fylld med luft kan dynans egenskaper förändras om den används på hög höjd, exempelvis under en flygresa. Under sådana villkor kan dynans fasthet justeras genom att några luftkuddar avlägsnas från varje fack.
- **Luftfuktighet:**
Lägsta: 0 %, högsta 100 %

Användning vid vattensport

Varning! Använd en flytväst tillsammans med Vicair AllRounder O2 om den används under vattensportaktiviteter.

Användning i motorfordon

Användning av traditionella rullstolsdynor kan göra fordonets säkerhetsbältssystem otillförlitligt. Vicair AllRounder O2 kan användas som ett säkert alternativ om du behöver extra skydd under transport.

Uppuffning av dynan

Vicair B.V. rekommenderar att dyndelen av Vicair AllRounder O2 puffas upp före användning.

Återanvändning – överföring till annan användare

Denna produkt är inte lämplig för upprepad användning. Antalet gånger som den kan användas beror på hur ofta och på vilket sätt den används. Produkten måste rengöras och desinficeras grundligt innan en annan person tillåts att använda den. Se kapitlet "Underhåll och rengöring" för anvisningar.

Observera! Säkerställ att produkten är korrekt inställd för den andra personen.

Avlägsna/byta Harness base (selens bas)

Bild i – Quick Installation Guide

Om Harness base (eller någon av dess remmar) på din Vicair AllRounder O2 är sliten ska den bytas ut. En extra Harness base kan köpas separat. Du måste också avlägsna Harness base temporärt när dynans fyllnadsgrad behöver justeras.

Följ stegen nedan för att avlägsna och byta Harness base. Dessa anvisningar motsvarar figur i (I, II och III) i snabbinstallationsguiden.

- Öppna blixtlåset som går längs med nederdelen av dynan helt för att lossa Harness base från dynan.
- Öppna nu dynans blixtlås för att justera fyllnadsgraden. Lägg till eller avlägsna önskat antal SmartCells från ett eller flera fack och stäng blixtlåset igen. Se till att inga SmartCells skadas.
- Fäst dynan i Harness base (den nya) med hjälp av blixtlåset som går längs med nederdelen av dynan. Se till att dynan inte skadas.

Kassering

Kassering och återvinning av använda enheter och förpackningar måste ske i enlighet med lokala regler. Säkerställ att produkten är rengjord innan den kasseras för att undvika eventuell risk för kontamination.

UNDERHÅLL OCH RENGÖRING

Varning! Kontrollera produkten avseende slitage och tömda luftkuddar var tredje månad. Fortsätt inte att använda produkten om den är allvarligt skadad eller ett stort antal luftkuddar är tömda. Rådgör med din återförsäljare.

Försiktighet! Ångregör eller autoklavera inte produkten. Produkten tål inte stark värme eller högt tryck. Om angivna rengöringsanvisningar inte följs kommer livslängden för produkten med stor sannolikhet att förkortas.

Försiktighet! Använd inte aggressiva eller slipande rengöringsmedel eller vassa föremål för att rengöra dynan.

Försiktighet! Placera inte Vicair O2-dynans ovansida mot glaset på tvättmaskinens lucka.

Rengöring av Vicair AllRounder O2

Din Vicair AllRounder O2 kan maskintvättas i 60 °C/140 °F med antiskrynklingsprogram och mildt tvättmedel. Spänn fast midjeremmen och benremmarna före tvätt. SmartCells eller Harness base behöver inte avlägsnas innan Vicair AllRounder O2 läggs i tvättmaskinen. Säkerställ att dynans ovansida inte placeras mot glaset på tvättmaskinens lucka. Fyll inte tvättmaskinen till mer än hälften av dess maximala viktkapacitet.

Centrifugeringshastigheten bör sänkas. Se till att dynan kan röra sig fritt inuti trumman om du använder en tvättmaskin med omrörare. Använd inte klorblekmedel och undvik kemtvätt! Vicair AllRounder O2 får ej torktumlas utan ska lufttorkas.



Desinfektera din Vicair AllRounder O2

Varning! Om produkten förorenas med kroppsvätskor eller överförs till annan brukare måste den desinficeras för att undvika korskontaminering. Rengör Vicair AllRounder O2 enligt anvisningarna ovan. Använd företrädesvis ett antibakteriellt rengöringsmedel. Efter rengöring ska Vicair AllRounder O2 och överdraget sprejas med desinfektionsmedel. Böj ut facken för att säkerställa att sprejen kan tränga in i mellanrummen.

GARANTI

Besök www.vicair.com för fullständig information om garantiärenden och villkor. Vicair B.V. erbjuder en begränsad garanti mot defekter i utförande och material under förutsättning att produkten har använts på avsett sätt. Normalt slitage och eventuella skador som uppkommer till följd av icke avsedd användning, felaktig hantering, felaktig rengöring eller vårdslöshet omfattas inte av denna garanti.

Garantiperiod

Från inköpsdatum: 24 månader.

Garantin för SmartCellerna i denna Vicair O2-dyna gäller under produktens hela livslängd.

Skulle en defekt i material eller utförande upptäckas inom ovan angivna garantitid kommer Vicair B.V. på eget initiativ att utan kostnad reparera eller byta ut produkten. Kompensation till följd av att en utställd garanti inte efterlevs är begränsad till reparation eller utbyte av produkten.

Skada till följd av att en garanti inte efterlevs ska under inga omständigheter omfatta följdskador eller överstiga priset på den icke avtalsenliga varan.

Frågor?

Kontakta Vicair B.V. via info@vicair.com eller kontakta Vicair-återförsäljaren i ditt land.

Kjære kunde,

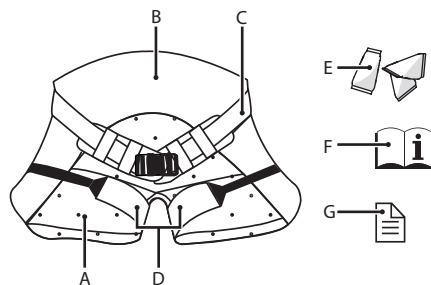
Takk for at du har valgt et Vicair®-produkt. Puten er enkel og sikker i bruk, og gir svært god effekt. For rask installering kan du bruke hurtigveiledningen som følger med puten. Les i tillegg brukermanualen og sørg for at du forstår alt som står der før du bruker produktet. Ta vare på både hurtigveiledningen og denne manualen for fremtidig bruk.

For mer informasjon eller bestilling av (flere) manualer, kontakt norway@invacare.no. Gå til vicair.com for informasjon om forhandlere.

INTRODUKSJON

Vicair AllRounder O2 er en pute som festes til kroppen. Den gir god hudbeskyttelse for personer som har høy risiko for å utvikle trykksår. Denne puten, som er for midlertidig bruk, benyttes for å gi komfort og hindre trykksår i situasjoner der det ikke er mulig eller nødvendig å benytte en rullestol. Vicair AllRounder O2 kan maskinvaskes uten å fjerne Harness base eller SmartCells!

HOVEDDELER



- A. Pute
- B. Harness base
- C. Hoftebelte
- D. Lårbelter
- E. SmartCells™, plassert i 5 kammer
- F. Brukermanual
- G. Hurtigveiledning (Quick Installation Guide)

GENERELLE PRODUKTSPEKIFIKASJONER

Produktnavn:	Vicair AllRounder O2
Produsert av:	Vicair B.V., Nederland
Garanti:	24 måneder
Vekt:	0,75 kg / 1,65 lbs (størrelse M)
Tilgjengelige størrelser:	Liten, Medium, Stor
Materialer:	Ingen materialer med lateks
Pute:	Nettingstoff av polyester
Putefyll:	Luftfylte SmartCells med lavfrikasjonsbelegg
Harness base:	Nylon med polyuretanbelegg. Dekket av et strikket elastisk polyester-materiale i 3D, med et skumlag av polyuretan på innsiden.

FORHOLDSREGLER OG SIKKERHETSINSTRUKSJONER

Vicair AllRounder O2 må bare brukes som beskrevet i denne manualen. Enhver annen bruk av dette produktet anses for å være feilbruk. Vicair B.V. kan ikke holdes ansvarlig for skader som oppstår som følge av feilbruk, ukorrekt bruk eller uaktsomhet. Pass på at du leser og forstår hele denne brukermanualen.

Advarsel! Halebeinet eller bekkenbeina må ikke berøre bunnen av puten. En kontroll av om kroppen berører bunnen av puten må gjennomføres ved første bruk og etter justeringer i putefyllet.

Advarsel! Kontroller huden regelmessig for rødhet. Spesielt ved første gangs bruk, hvis du har ekstra sensitiv hud og/eller ved hardhendt bruk. Dette er faktorer som kan påvirke hudtoleransen. Hvis det oppstår rødhet som ikke forsvinner i løpet av 15 minutter, ta kontakt med terapeuten din eller en teknisk rådgiver.

Advarsel! Vicair B.V. anbefaler at fyllgraden justeres under direkte tilsyn av en terapeut eller en teknisk rådgiver.

Advarsel! Ikke stram hoftebeltet eller lårbeltene for mye. Dette kan hemme blodgjennomstrømningen og/eller føre til ubehag.

Advarsel! Benytt en redningsvest når Vicair AllRounder O2 brukes ved aktiviteter på vannet.

Advarsel! Ved tilsmussing med kroppsvæsker eller når produktet overføres til en annen bruker, må produktet desinfiseres for å hindre smitte.

Advarsel! Hver tredje måned må produktet sjekkes for slitasje og celler med for lite luft. Ved alvorlig skade eller et høyt antall celler med for lite luft må produktet ikke brukes. Kontakt da Invacare.

NB! Hold produktet unna åpen ild eller andre kilder til høy varme.

NB! Ikke rengjør produktet med damp eller autoklav. Produktet tåler ikke svært høye temperaturer eller svært høyt trykk. Dersom

produktet ikke vaskes som angitt, forkortes dets levetid.

NB! Ikke bruk sterke eller slipende rengjøringsmidler eller skarpe gjenstander til å rengjøre puten.

Forsiktighet! Ikke plasser oversiden av Vicair O2-puten mot glasset på vaskemaskindøren.

INSTALLASJON

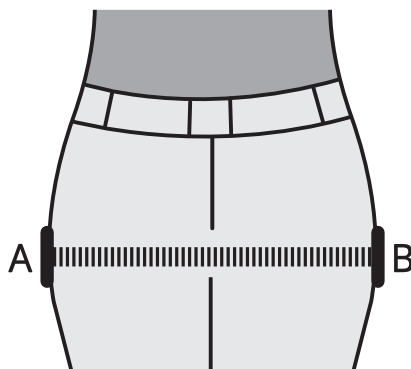
Advarsel! Ikke stram hoftebeltet eller lårbeltene for mye. Dette kan hemme blodgjennomstrømningen og/eller føre til ubehag.

Kontrollere størrelsen til Vicair AllRounder O2

Mål bredden på hoftene dine for å kontrollere om størrelsen til Vicair AllRounder O2 passer størrelsen på kroppen din. Hold et målebånd horisontalt over det bredeste punktet øverst på lårene når du sitter. Ikke følg konturen til lårene dine, hold målebåndet rett. Se Figur 1. Mål fra A til B (eller fra B til A).

Bredde A til B er:

- < 38 cm / < 15 inch = Vicair AllRounder O2 Størrelse S (Liten)
- 38–42,5 cm / 15–16¾ tommer = Vicair AllRounder O2 Størrelse M (Medium)
- 43–48 cm / 17–19 tommer = Vicair AllRounder O2 Størrelse L (Stor)

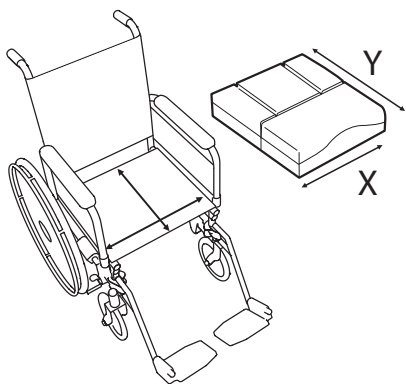


Figur 1

Hvis det ikke er mulig å utføre målingen som forklart ovenfor, kan du benytte størrelsen på rullestolputen som en referanse. Se X på Figur 2. Mål bredden til puten eller se på etiketten til puten for å finne bredden.

Bredden på rullestolputen er:

- < 40 cm / < 16 inch = Vicair AllRounder O2 Størrelse S (Liten)
- 40–44,5 cm / 16–17¾ tommer = Vicair AllRounder O2 Størrelse M (Medium)
- 45–50 cm / 18–20 tommer = Vicair AllRounder O2 Størrelse L (Stor)



Figur 2

Utfør følgende trinn for tilpassing av Vicair AllRounder O2

Disse trinnene følger bildene 1-5 i hurtigveiledningen. Bilde i (I, II og III) viser hvordan du fjerner Harness base for å skifte den ut eller for å justere puten (kapittel "Bruk"):

- Plasser Vicair AllRounder O2 på et hardt underlag eller en stol. Hoftebelte og lårbelter skal være åpne.
- Flytt deg fra rullestolen til Vicair AllRounder O2 og pass på at du er godt plassert.
- Lukk hoftebeltet.
- Stram hoftebeltet slik at det følger konturen av hoften din. Blir det ekstra hoftebelte-reim til overs, kan denne gjemmes i holderen for hoftebeltet som er festet til Harness base.
- Lukk lårbeltene. Du kan plassere klipsen på

lårbelte-siden på toppen av klipsen til Harness base, og presse dem sammen til de låser seg sammen.

- Stram de to lårbeltene slik at de følger konturen av lårene din. De elastiske delene reduserer sammentrykking av hud og vev.

Kontroller om kroppen berører bunnen av puten:

Bilde 6 - Quick Installation Guide

Advarsel! Halebeinet eller bekkenbeina må ikke berøre bunnen av puten. En kontroll av om kroppen berører bunnen av puten må gjennomføres ved første bruk og etter justeringer i putefyllet.

Advarsel! Vicair B.V. anbefaler at fyllgraden justeres under direkte tilsyn av en terapeut eller en teknisk rådgiver.

- Kontroller om kroppen berører bunnen av puten etter å ha sittet på puten i omtrent fem minutter.
- Be terapeuten din eller den tekniske rådgiveren om å føre en hånd mellom baken din og Vicair-puten mens du lener deg forover.
- La terapeuten eller den tekniske rådgiveren kontrollere om de laveste beinfremspringene dine støttes av minst 1 lag med SmartCells™. Dette hindrer at de berører overflaten (som kan være hard) under Vicair AllRounder O2.
- Ikke bruk puten hvis kroppen din berører bunnen av puten. I de fleste tilfeller vil en justering av fyllgraden i putekamrene løse eventuelle problemer.

BRUK

Kontroller rødhet i huden

Bilde 7 - Quick Installation Guide

Advarsel! Kontroller huden regelmessig for rødhet. Spesielt ved første gangs bruk, hvis du har ekstra sensitiv hud og/eller ved hardhendt bruk. Dette er faktorer som kan påvirke

hudtoleransen. Hvis det oppstår rødhet som ikke forsvinner i løpet av 15 minutter, ta kontakt med terapeuten din eller en teknisk rådgiver.

Klar til bruk

Vicair produktet er klart for bruk. Det har sin egen, unike fyllgrad avhengig av størrelse og modell. Men hvis det er nødvendig, kan fyllgraden justeres ved å fjerne eller tilføye SmartCells i de forskjellige kamrene. Du finner informasjon om standard fyllgrad på merkelappen som er festet til puten.

Juster fyllgraden

Bilde i - Quick Installation Guide

Advarsel! Vicair B.V. anbefaler at fyllgraden justeres under direkte tilsyn av terapeuten din eller en teknisk rådgiver. Fjern Harness base først for å justere fyllgraden. Se "Fjerne/skifte Harness base" for instruksjoner.

Betingelser for bruk og oppbevaring

NB! Hold produktet unna åpen ild eller andre kilder til høy varme.

- **Brukervekt:**
Minimum: 15 kg / 33 lbs, maksimum: 100 kg / 220 lbs
- **Temperatur:**
Minimum: -20 °C / 4 °F, maksimum: 55 °C / 131 °F
- **Bruk i høyden**
Merk! Siden hver SmartCell er fylt med luft, kan puten oppføre seg annerledes i høyden eller i fly. I slike tilfeller kan putens fasthet justeres ved å fjerne noen få celler fra hvert kammer.
- **Luftfuktighet:**
Minimum: 0 %, maksimum 100 %

Bruk ved vannaktiviteter

Advarsel! Benytt en redningsvest når Vicair AllRounder O2 brukes ved aktiviteter på vannet.

Bruk i kjøretøy

Normale rullestolputer kan gjøre setebeltsystemet i kjøretøyet upålitelig. Vicair AllRounder O2 kan benyttes som et trygt alternativ hvis du trenger ekstra beskyttelse under transport.

Riste opp puten

Vicair B.V. anbefaler å riste opp pute-delen av Vicair AllRounder O2 før bruk.

Gjenbruk – overføring av produktet til en annen bruker

Produktet er egnet for gjentatt bruk. Hvor mange ganger den kan brukes, avhenger av hvor ofte og på hvilken måte produktet er blitt brukt. Produktet må rengjøres grundig og desinfiseres før en annen person kan bruke det. Se kapittelet «Vedlikehold og rengjøring» for instruksjoner.

Merk! Pass på at produktet justeres korrekt til den andre personen.

Fjerne/skifte Harness base

Bilde i - Quick Installation Guide
Hvis Harness base (eller ett av beltene) til Vicair AllRounder O2 er slitt, må du skifte Harness base. En ny Harness base kan kjøpes separat. Du må også fjerne Harness base midlertidig når du skal justere fyllgraden.

Utfør følgende trinn for å fjerne og skifte Harness base. Instruksjonene korresponderer til bilde i (I, II og III) i hurtigveiledningen.

- Åpne glidelåsen langs bunnen av puten for å løsne Harness base fra puten.
- Åpne putens glidelås for å justere fyllgraden. Legg til eller fjern ønsket antall SmartCells fra ett eller flere av kamrene og lukk så glidelåsen. Pass på at du ikke skader noen SmartCells.
- Fest puten til (den nye) Harness base ved å benytte glidelåsen som følger bunnen av puten. Pass på at du ikke skader puten.

Kassering

Kassering og resirkulering av brukte enheter og emballasje må foretas i samsvar gjeldende regelverk. Forsikre deg om at produktet er blitt rengjort før det kasseres, for å unngå smitterisiko.

VEDLIKEHOLD OG RENGJØRING

Advarsel! Hver tredje måned må produktet sjekkes for slitasje og celler med for lite luft. Ved alvorlig skade eller et høyt antall celler med for lite luft må produktet ikke brukes. Kontakt da Invacare.

NB! Ikke rengjør produktet med damp eller autoklav. Produktet tåler ikke svært høye temperaturer eller svært høyt trykk. Dersom produktet ikke vaskes som angitt, forkortes dets levetid.

NB! Ikke bruk sterke eller slipende rengjøringsmidler eller skarpe gjenstander til å rengjøre puten.

Forsiktighet! Ikke plasser oversiden av Vicair O2-puten mot glasset på vaskemaskindøren.

Rengjøring av Vicair AllRounder O2

Du kan vaske Vicair AllRounder O2 i vaskemaskin ved 60 °C / 140 °F på anti-rynke syklus med et mildt vaskemiddel. Lukk hoftebeltet og lårbeltene før vask. Det er ikke nødvendig å fjerne SmartCells eller Harness base før du legger Vicair AllRounder O2 inn i vaskemaskinen. Pass på at toppen av puten ikke legges mot glasset i vaskemaskindøren. Ikke legg mer i maskinen enn halvparten av full maskin. Senk sentrifugehastigheten. Pass på at puten beveger seg fritt inni trommelen hvis vaskemaskinen din har agitator. Ikke bruk klorblekemiddel og ikke ta puten til rens! Vicair AllRounder O2 kan ikke tørkes i tørketrommel. La den luft-tørke.



Desinfisering av Vicair AllRounder O2

Advarsel! Ved tilsmussing med kroppsvæsker eller når produktet overføres til en annen bruker, må produktet desinfiseres for å hindre smitte. Rengjør Vicair AllRounder O2 som forklart ovenfor. Bruk helst et antibakterielt rengjøringsmiddel. Etter rengjøring må Vicair AllRounder O2 sprayes med et desinfiseringsmiddel. Bøy kamrene utover for å sikre at sprayen kommer inn i mellomrommene.

GARANTI

Se www.vicair.com for komplett informasjon om garantier, vilkår og betingelser.

Vicair B.V. har en begrenset garanti mot fabrikkasjonsfeil og materialfeil, forutsatt at produktet har blitt brukt på normal måte. Normal slitasje og skader som følge av unormal bruk eller feilaktig håndtering, rengjøring eller annen uaktsomhet, dekkes ikke av denne garantien.

Garantiperiode

Fra opprinnelig kjøpsdato: 24 måneder.

Det er livstidsgaranti på SmartCells-ene i denne Vicair O2 puten.

Hvis det oppstår en fabrikkasjonsfeil eller materialfeil innenfor tidsperioden nevnt ovenfor, skal Vicair B.V. enten reparere eller erstatte produktet – etter eget valg – uten omkostninger.

Garantien er begrenset til erstatning eller reparasjon av produktet.

Ikke i noe tilfelle skal erstatning for brudd på garantien inkludere eventuelle følgeskader eller overstige produktets kostnad.

Har du spørsmål?

Ta kontakt med Invacares kundeserviceavdeling på e-post norway@invacare.no eller på telefon 22 57 95 00.

Hyvä asiakas!

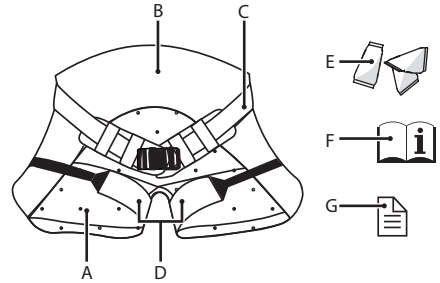
Kiitos Vicair®-tuotteen valinnasta. Olemme varmoja, että arvostat sen yksinkertaisuutta, luotettavuutta ja erinomaista vaikutusta. Asennuksen nopeuttamiseksi voit käyttää tyynyn mukana toimitettua pika-asennusopasta. Lue ja omaksu lisäksi tämä käyttöohje ennen käyttöä. Säilytä sekä pika-asennusopas että tämä ohje tulevaa tarvetta varten.

Ota yhteys oman maasi jakelijaan, kun tarvitset lisätietoa tai haluat tilata (lisää) käyttöohjeita. Lue jakelijatiedot osoitteesta vicair.com.

JOHDANTO

Vicair AllRounder O2 on vartaloon vyötettävä tyyny. Se suojaa ihoa erinomaisesti henkilöillä, joilla on suuri riski saada painehaavoja. Tilapäiseen käyttöön tarkoitettu tyyny lisää mukavuutta ja ehkäisee painehaavoja tilanteissa, joissa pyörätuolia ei voi tai tarvitse käyttää. Vicair AllRounder O2 on konepestävä tarvitsematta irrottaa Harness base -alustaa tai SmartCells-ilmakartioita!

PÄÄOSAT



- A. Tyyny
- B. Harness base -alusta
- C. Vyötäröhihna
- D. Jalkahihnat
- E. SmartCells™-ilmakartiot 5 osastossa
- F. Käyttöohje
- G. Pika-asennusopas (Quick Installation Guide)

YLEISTIEDOT TUOTTEESTA

Tuotenimi:	Vicair AllRounder O2
Valmistaja:	Vicair B.V., Alankomaat
Takuu:	24 kuukautta
Paino:	0,75 kg / 1,65 lbs (koko M)
Saatavissa olevat koot:	Small (pieni), Medium (keskikoko), Large (suuri)
Käytetyt materiaalit:	Täysin lateksittomat.
Tyyny:	Polyesteriverkkokuitu
Tyynyn täyte:	Ilmatäytteiset SmartCells-kartiot, joissa kitkaa vähentävä pinnoite
Harness base -alusta:	Polyuretaanipinnoitettu nailonkangas. Sisäpuolella polyuretaanivahtokerros, joka on peitetty joustavalla neulotulla kolmiulotteisella polyesterikankaalla.

VAROTOIMET JA TURVAOHJEET

Vicair AllRounder O2 -tyynyä saa käyttää ainoastaan tässä käyttöohjeessa kuvatulla tavalla. Muunlainen tuotteen käyttö katsotaan virheelliseksi käytöksi. Vicair B.V. ei vastaa vahingoista, jotka aiheutuvat tuotteen virheellisestä tai väärästä käytöstä tai laiminlyönnistä. Varmista, että olet lukenut ja ymmärtänyt tämän ohjeen kokonaisuudessaan.

Varoitus! Häntäluusi ja lantion liitteesi ei pitäisi koskettaa tyynyn pohjaa. Pohjakosketuksen tarkistaminen on tehtävä ensimmäisellä käyttökerralla ja uudelleen tyynyn täyttöasteen säätämisen jälkeen.

Varoitus! Seuraa ihosi punoitusta säännöllisesti erityisesti ensimmäisellä käyttökerralla ja jos ihosi on erityisen herkkä ja/tai käyttö on erityisen kovaa. Kaikki tällaiset tekijät voivat vaikuttaa ihon sietokykyyn. Mikäli punoitusta ilmenee eikä se häviä 15 minuutin kuluessa, ota yhteyttä hoitajaasi tai apuvälineen luovuttajaan.

Varoitus! Vicair B.V. suosittelee, että tyynyn täyttöastetta säädetään hoitajan tai apuvälineen luovuttajan välittömässä valvonnassa.

Varoitus! Älä kiinnitä vyötäröhihnaa ja jalkahihnoja liian kireälle. Se voi heikentää verenvirtausta tai mukavuutta.

Varoitus! Käytä pelastusliiviä, kun käytät Vicair AllRounder O2 -tyynyä vesiurheilussa.

Varoitus! Jos tyyny on likaantunut kehon nesteistä ja eritteistä ja jos se luovutetaan toiselle käyttäjälle, se on desinfioitava ristikontaminaation ehkäisemiseksi.

Varoitus! Tarkista tuotteen kuluminen ja ilmakartioiden tyhjentyminen kolmen kuukauden välein. Mikäli tyyny on pahasti vahingoittunut tai suuri määrä ilmakartioita on tyhjentyneet, älä jatka tuotteen käyttöä. Ota yhteys jälleenmyyjään.

Huomio! Älä käytä tai jätä tuotetta avotulen lähelle tai kuumaa lämmönlähteen lähelle.

Huomio! Älä pese tuotetta höyrystämillä äläkä laita sitä autoklaaviin. Tuote ei kestä korkeata lämpöä eikä painetta. Jollei annettuja

puhdistusohjeita noudateta, on todennäköistä, että tuote kuluu käytössä nopeammin.

Huomio! Älä käytä hankaavia tai syövyttäviä puhdistusaineita tai teräviä välineitä tyynyn puhdistamiseen.

Huomio! Älä aseta Vicair O2 -tyynyn yläpuolta pesukoneen lasiluukkuun vasten.

ASENNUS

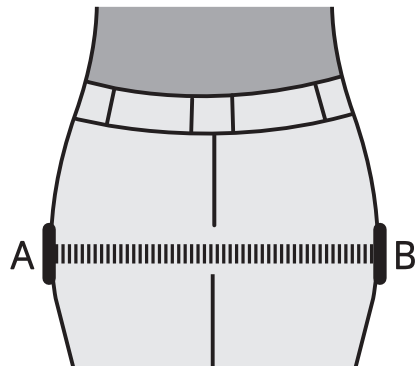
Varoitus! Älä kiinnitä vyötäröhihnaa ja jalkahihnoja liian kireälle. Se voi heikentää verenvirtausta tai mukavuutta.

Vicair AllRounder O2 -tyynyn koon tarkistaminen

Mittaa lantiosi leveys ja tarkista, että Vicair AllRounder O2 -tyynyn koko vastaa vartalosia kokoa. Istu ja pidä mittanauha vaakatasossa reisisiä leveimmällä kohdalla, tiiviisti lantion etuosaa vasten. Älä seuralle jalkojesi muotoa vaan pidä mittanauha suorana. Katso kuva 1. Mittaa väli A:sta B:hen (tai B:sta A:han).

Leveys A:sta B:hen on:

- < 38 cm / < 15 tuumaa = Vicair AllRounder O2 -tyynyn koko S (pieni)
- 38–42,5 cm / 15- 16¾ tuumaa = Vicair AllRounder O2 -tyynyn koko M (keskikoko)
- 43–48 cm / 17 - 19 tuumaa = Vicair AllRounder O2 -tyynyn koko L (suuri)

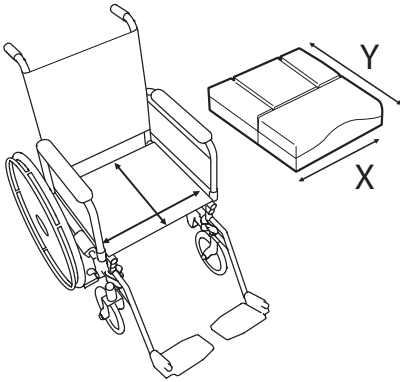


Kuva 1

Jollei edellä kuvattua mittausmenetelmää voida käyttää, voit käyttää pyörätuolisi tyynyä mallina. Katso X kuvassa 2. Selvitä tyynysi leveys mittaamalla tai tarkista se tyynyn pesuohjelapusta.

Pyörätuolin tyynyn leveys on:

- < 40 cm / < 16 tuumaa = Vicair AllRounder O2 -tyynyn koko S (pieni)
- 40–44,5 cm / 16 - 17½ tuumaa = Vicair AllRounder O2 -tyynyn koko M (keskikoko)
- 45–50 cm / 18 - 20 tuumaa = Vicair AllRounder O2 -tyynyn koko L (suuri)



Kuva 2

Asenna Vicair AllRounder O2 seuraavissa vaiheissa

Vaiheet vastaavat pika-asennusoppaan asennuskuvia 1–5. Kuvasta i (I, II ja III) näkyy, miten Harness base -alusta irrotetaan vaihtoa tai tyynyn säätöä varten (luku Käyttö):

- Aseta Vicair AllRounder O2 tukevalle pinnalle tai tuolille. Vyötäröhihna ja jalkahihnat on avattava lukituksesta
- Siirry pyörätuolista Vicair AllRounder O2 -tyynylle ja varmista, että olet hyvässä asennossa.
- Kiinnitä vyötäröhihna.
- Kiristä vyötäröhihna vyötärösi muotoja seurailleen. Ylimääräinen vyötäröhihna voidaan piilottaa Harness base -alustaan kiinnitettyihin vyötäröhihnan pitimiin.

- Kiinnitä jalkahihnat. Voit asettaa jalkahihnan päässä olevan kiinnittimen Harness base -alustassa olevan kiinnittimen päälle ja paina kiinnittimiä vastakkain, kunnes ne lukittuvat.
- Kiristä kumpikin jalkahihna jalkojesi muotoja seurailleen. Joustavat osat vähentävät ihon ja kudosten puristumista.

Tarkista pohjakosketus:

Kuva 6 – Quick Installation Guide

Varoitus! Häntäluusi ja lantion luittesi ei pitäisi koskettaa tyynyn pohjaa. Pohjakosketuksen tarkistaminen on tehtävä ensimmäisellä käyttökerralla ja uudelleen tyynyn täyttöasteen säätämisen jälkeen.

Varoitus! Vicair B.V. suosittelee, että tyynyn täyttöastetta säädetään hoitajan tai apuvälineen luovuttajan välittömässä valvonnassa.

- Tarkista pohjakosketus, kun olet istunut tyynyllä noin 5 minuutin ajan.
- Anna hoitajan tai apuvälineen luovuttajan työntää kätensä pakaroidesi ja Vicair-tyynyn väliin samalla, kun nojaat eteenpäin.
- Pyydä hoitajaa tai apuvälineen luovuttajaa tarkistamaan, että alimpien istumaluidesi alla on ainakin 1 kerros SmartCells™-ilmakartioita. Se estää luita koskettamasta Vicair AllRounder O2 -tyynyn alapuolista (kovaa) pintaa.
- Älä käytä tyynyä, mikäli tunnet pohjakosketuksen. Useimmiten tyynyn osastojen täyttöasteen säätäminen ratkaisee ongelman.

KÄYTTÖ

Ihon punoituksen tarkistus

Kuva 7 – Quick Installation Guide

Varoitus! Seuraa ihosi punoitusta säännöllisesti erityisesti ensimmäisellä käyttökerralla ja jos ihosi on erityisen herkkä ja/tai käyttö on erityisen kovaa. Kaikki tällaiset tekijät voivat vaikuttaa ihon sietokykyyn. Mikäli punoitusta ilmenee eikä se häviä 15 minuutin kuluessa, ota yhteyttä hoitajaasi tai apuvälineen luovuttajaan.

Käyttövalmius

Tämä Vicair-tuote on käyttövalmis. Eri kokojen ja mallien täyttöasteet vaihtelevat. Täyttöastetta voidaan silti tarvittaessa säätää poistamalla tai lisäämällä SmartCells-ilmakartioita eri osastoista/osastoihin. Oletustäyttöaste näkyy tyynyn kiinnitetystä lapusta.

Täyttöasteen säätäminen

Kuva i – Quick Installation Guide

Varoitus! Vicair B.V. suosittelee, että tyynyn täyttöastetta säädetään hoitajan tai apuvälineen luovuttajan välittömässä valvonnassa. Täyttöasteen säätämiseksi Harness base -alusta on ensin irrotettava. Katso ohjeet kohdasta "Harness base -alustan irrottaminen ja asettaminen takaisin paikalleen".

Käyttö- ja säilytysolosuhteet

Huomio! Älä käytä tai jätä tuotetta avotulen lähelle tai kuumaa lämmönlähteen lähelle.

- **Käyttäjän paino:**
Alin: 15 kg / 33 lbs, ylin: 100 kg / 220 lbs
- **Lämpötila:**
Alin: -20 °C / 4 °F, ylin: 55 °C / 131 °F
- **Käyttö korkeassa ilmanalassa**
Huomautus! Koska SmartCell-kartiot ovat täynnä ilmaa, tyyny voi käyttäytyä poikkeavasti korkeassa ilmanalassa tai lentokoneessa. Näissä tilanteissa tyynyn tukevuutta voidaan säätää poistamalla muutama ilmakartio kustakin osastosta.
- **Ilmankosteus:**
Alin: 0 %, ylin 100 %

Käyttö vesiurheilun aikana

Varoitus! Käytä pelastusliiviä, kun käytät Vicair AllRounder O2 -tyynyä vesiurheilussa.

Käyttö moottoriajoneuvoissa

Normaalit pyörätuolien tyynyt voivat estää ajoneuvon turvavyöjärjestelmää toimimasta luotettavasti. Vicair AllRounder O2 on turvallinen vaihtoehto, kun tarvitaan lisäturvaa kuljetuksen ajaksi.

Tyynyn pölynpoisto

Vicair B.V. suosittelee Vicair AllRounder O2 -tuotteen tyynyosan puhdistamista pölystä ennen käyttöä.

Uudelleenkäyttö - Tuotteen luovuttaminen toiselle käyttäjälle

Tuote soveltuu toistuvaan käyttöön.

Käyttökertojen määrä riippuu tuotteen käyttöiheydestä ja käyttötavasta. Tuote on puhdistettava ja desinfioitava huolellisesti, ennen kuin toisen henkilön annetaan käyttää sitä. Katso ohjeet luvusta Kunnossapito ja puhdistus.

Huomautus! Varmista, että tuote on säädetty oikein toiselle henkilölle.

Harness base -alustan irrottaminen ja asettaminen takaisin paikalleen

Kuva i – Quick Installation Guide

Mikäli Vicair AllRounder O2 -tyynyn Harness base -alusta (tai jonkin sen hihnoista) kuluu, vaihda Harness base -alusta. Harness base -vaihtovalustoja voi ostaa erikseen. Harness base -alusta on niin ikään irrotettava tilapäisesti, kun täyttöastetta säädetään.

Harness base -alusta irrotetaan ja asetetaan paikalleen seuraavissa vaiheissa. Ohjeet vastaavat pika-asennusoppaan kuvaa i (I, II ja III).

- Irrota Harness base -alusta tyynystä avaamalla tyynyn alaosa reunustava vetoketju kokonaisuudessaan.
- Säädä täyttöastetta avaamalla sen jälkeen tyynyn vetoketju. Lisää tai poista haluamasi määrä SmartCells-kartioita yhdestä tai useammasta osastosta ja sulje vetoketju. Varmista, etteivät SmartCells-kartiot vahingoitu.
- Kiinnitä tyyny Harness base -(vaihto)alustaan tyynyn alareunaa seurailevan vetoketjun avulla. Varmista, ettei tyyny vahingoitu.

Jätehuolto

Käytettyjen laitteiden ja pakkausten jätehuollossa ja kierrättämisessä on noudatettava kulloinkin sovellettavaa lainsäädäntöä. Varmista kontaminaatoriskien ehkäisemiseksi, että tuote on puhdistettu ennen luovutusta jätehuoltoon.

HUOLTAMINEN JA PUHDISTAMINEN

Varoitus! Tarkista tuotteen kuluminen ja ilmakartioiden tyhjentyminen kolmen kuukauden välein. Mikäli tyyny on pahasti vahingoittunut tai suuri määrä ilmakartioita on tyhjentynyt, älä jatka tuotteen käyttöä. Ota yhteys jälleenmyyjään.

Huomio! Älä pese tuotetta höyrystämällä äläkä laita sitä autoklaaviin. Tuote ei kestä korkeata lämpöä eikä painetta. Jollei annettuja puhdistusohjeita noudateta, on todennäköistä, että tuote kuluu käytössä nopeammin.

Huomio! Älä käytä hankaavia tai syövyttäviä puhdistusaineita tai teräviä välineitä tyynyn puhdistamiseen.

Huomio! Älä aseta Vicair O2 -tyynyn yläpuolta pesukoneen lasiluukkuun vasten.

Vicair AllRounder O2-tyynyn puhdistaminen

Vicair AllRounder O2 -tyynysi voidaan pestä pesukoneessa 60 °C:n lämpötilassa ry pistämättömällä pesuohjelmalla mietoa pesuainetta käyttäen. Kiinnitä vyötäröhihna ja jalkahihnat ennen pesua. SmartCells-ilmakartioita tai Harness base -alustaa ei tarvitse irrottaa ennen Vicair AllRounder O2 -tyynyn konepesua. Varmista, ettei tyynypäällisen yläpuoli kosketa pesukoneen luukun lasiosaan. Täytä koneeseen enintään puolet sen enimmäistäyttömäärästä. Linkousnopeuden on oltava alhainen. Jos käytät pulsaattoripesukonetta, varmista, että tyyny pääsee liikkumaan vapaasti rummussa/altaassa. Älä käytä klooria. Ei kuivapesua! Älä kuivaa Vicair AllRounder O2 -tyynyä kuivaimessa vaan anna se kuivua vapaasti ilmassa.



Vicair AllRounder O2 -tyynyn desinfiointi

Varoitus! Jos tyyny on likaantunut kehon nesteistä ja eritteistä ja jos se luovutetaan toiselle käyttäjälle, se on desinfioitava ristikontaminaation ehkäisemiseksi. Puhdistava Vicair AllRounder O2 yllä olevien ohjeiden mukaan. Käytä mieluiten bakteereja tuhoavaa pesuainetta. Suihkuta puhdistuksen jälkeen Vicair AllRounder O2 desinfiointiaineella. Taivuta osastoja ulospäin, jotta suihke menee myös rakoihin.

TAKUU

Katso kaikki tiedot takuumenettelyistä ja -ehdoista osoitteesta www.vicair.com. Vicair B.V. myöntää tuotteelle rajoitetun takuun, joka kattaa valmistusvirheet ja materiaalit, kunhan tuotetta käytetään normaalisti. Tavallisesta kulumisesta sekä tuotteen väärinkäytöstä, virheellisestä käsittelystä, puhdistuksesta tai laiminlyönnistä johtuvat vahingot eivät kuulu takuun piiriin.

Takuuaika

Alkuperäisestä ostopäivästä 24 kuukautta. Tämän Vicair O2 -tyynyn SmartCells-kartioilla on elinikäinen takuu.

Jos materiaalista tai valmistusvirheestä johtuva vika ilmenee ilmoitettuna takuuaikana, Vicair B.V. korjaa tai vaihtaa – oman valintansa mukaisesti – tuotteen maksutta. Tässä ilmoitettu takuu koskee pelkästään tuotteen korjausta tai vaihtoa. Takuu ei missään tapauksessa korvaa välillisiä vahinkoja, eikä korvaus ylitä viallisen tuotteen hintaa.

Jäikö sinulle kysymyksiä?

Ota yhteys Vicair B.V.:hen osoitteessa info@vicair.com tai oman maasi Vicair-jakelijaaan.

Estimado cliente:

Gracias por elegir un producto Vicair®. Estamos seguros de que sabrá apreciar la simplicidad, fiabilidad y su fantástico efecto. Para realizar una instalación rápida, puede utilizar la guía de instalación rápida que se incluye con su cojín. Además, lea detenidamente este manual de usuario antes de utilizarlo. Guarde la guía de instalación rápida y el manual para poder consultarlos en el futuro.

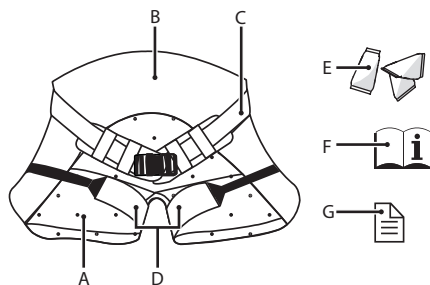
Si necesita más información o desea volver a solicitar algún manual, póngase en contacto con el distribuidor de su país.

Consulte www.vicair.com para obtener información sobre los distribuidores.

INTRODUCCIÓN

Vicair AllRounder O2 es un cojín que se ata a su cuerpo. Ofrece un nivel alto de protección cutánea para aquellas personas que presentan un riesgo elevado de desarrollar úlceras de decúbito. Este cojín de uso ocasional se emplea para proporcionar confort y prevenir úlceras de decúbito en situaciones que no permiten o requieren el uso de una silla de ruedas. Vicair AllRounder O2 se puede lavar en la lavadora sin necesidad de retirar el Harness base (arnés base) o las celdas SmartCells.

COMPONENTES PRINCIPALES



- A. Cojín
- B. Harness base (arnés base)
- C. Correa para cintura
- D. Correas de piernas
- E. Celdas SmartCells™, situadas en 5 compartimentos
- F. Manual de usuario
- G. Guía de instalación rápida (Quick Installation Guide)

ESPECIFICACIONES GENERALES DEL PRODUCTO

Nombre del producto:	Vicair AllRounder O2
Fabricado por:	Vicair B.V., Países Bajos
Garantía:	24 meses
Peso:	0,75 kg / 1,65 lbs (talla M)
Tamaños disponibles:	Pequeño (S), Mediano (M), Grande (L)
Materiales utilizados:	No contienen látex
Cojín:	Tejido de malla de poliéster
Relleno del cojín:	Celdas SmartCells rellenas de aire con un revestimiento de baja fricción
Harness base (arnés base):	Tejido de nailon revestido de poliuretano. Con una capa de espuma de poliuretano en el interior, cubierta con un tejido de malla de punto de poliéster elástico 3D.

PRECAUCIONES E INSTRUCCIONES DE SEGURIDAD

Vicair AllRounder O2 solo debe utilizarse según lo que se describe en este manual. Si se utiliza este producto de otro modo, se considerará un mal uso. Vicair B.V. no se hará responsable de los daños provocados por un mal uso, un uso inadecuado o negligencia. Asegúrese de que lee y comprende este manual en su totalidad.

Advertencia: El coxis y los huesos de la pelvis no deben tocar la base del cojín. Se debe comprobar si se produce "bottoming out" la primera vez que se usa el cojín y después de realizar ajustes en el relleno.

Advertencia: Compruebe regularmente si su piel se enrojece, especialmente durante el primer uso, en caso de piel muy sensible y/o durante un uso muy intensivo. Todos estos factores pueden afectar a su tolerancia cutánea. Si aparecen rojeces y no desaparecen después de 15 minutos, consulte a su terapeuta o a su asesor técnico.

Advertencia: Vicair B.V. recomienda ajustar el relleno bajo la supervisión directa de su terapeuta o su asesor técnico.

Advertencia: No apriete la correa para cintura o las correas de piernas demasiado tirantes. Esto puede provocar una reducción del flujo sanguíneo y/o molestias.

Advertencia: Lleve un chaleco salvavidas al utilizar Vicair AllRounder O2 durante actividades deportivas acuáticas.

Advertencia: En caso de contaminación con fluidos corporales, y cuando el cojín vaya a ser utilizado por un usuario diferente, se debe desinfectar el cojín para evitar posibles contagios.

Advertencia: Compruebe cada 3 meses el estado del cojín y si existen celdas rotas. Si se ha producido un daño importante o hay un gran número de celdas rotas, no continúe usando el cojín. Consulte a su distribuidor.

Precaución: No use ni deje el producto cerca de una llama o expuesto a una fuente de calor a alta temperatura.

¡Precaución! No limpie el producto con vapor o en un autoclave. El cojín no resiste las temperaturas o la presión excesivas. Si no se siguen las instrucciones de limpieza, es muy probable que el producto se deteriore más rápido.

Precaución: No utilice limpiadores agresivos o abrasivos, ni objetos cortantes para limpiar el cojín.

Precaución: No coloque la parte superior del cojín Vicair O2 contra el cristal de la puerta de la lavadora.

INSTALACIÓN

Advertencia: No apriete la correa para cintura o las correas de piernas demasiado tirantes. Esto puede provocar una reducción del flujo sanguíneo y/o molestias.

Comprobar la talla del Vicair AllRounder O2

Mida la anchura de sus caderas para comprobar si la talla del Vicair AllRounder O2 coincide con la talla de su cuerpo. Una vez sentado, sostenga una cinta métrica horizontalmente por encima del punto más ancho de la parte superior de sus piernas, estrechamente contra el frente de sus caderas. No siga los contornos de sus piernas, mantenga la cinta métrica recta. Véase la figura 1. Medición de A a B (o de B a A).

La anchura de A hasta B es:

- < 38 cm / < 15 pulgadas = Vicair AllRounder O2 Talla S (Pequeña)
- 38 – 42,5 cm / 15- 16¾ pulgadas = Vicair AllRounder O2 Talla M (Mediana)
- 43 - 48 cm / 17 - 19 pulgadas = Vicair AllRounder O2 Talla L (Grande)

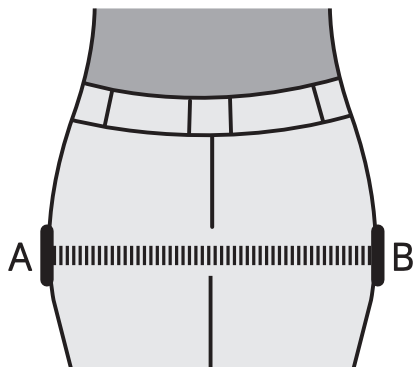


Figura 1

Si no resulta posible realizar el método de medición anterior, puede utilizar el tamaño del cojín de su silla de ruedas como referencia de talla. Véase X en la figura 2. Mida la anchura de su cojín o compruebe la etiqueta del mismo para averiguar la anchura de su cojín.

La anchura del cojín de la silla de ruedas es:

- < 40 cm / < 16 pulgadas = Vicair AllRounder O2 Talla S (Pequeña)
- 40 – 44,5 cm / 16 - 17³/₄ pulgadas = Vicair AllRounder O2 Talla M (Mediana)
- 45 - 50 cm / 18 - 20 pulgadas = Vicair AllRounder O2 Talla L (Grande)

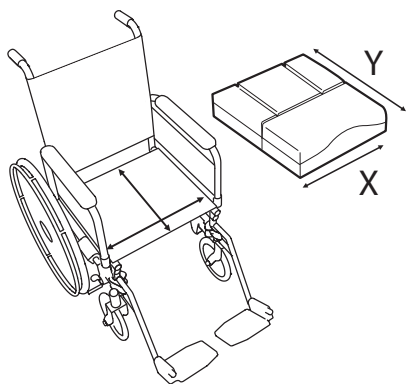


Figura 2

Realice los siguientes pasos al instalar el cojín Vicair AllRounder O2

Estos pasos se corresponden con las imágenes de instalación 1-5 de la guía de instalación rápida. La imagen I (I, II y III) muestra cómo quitar el Harness base (arnés base) para sustituirlo o para los ajustes del cojín (apartado «Uso»):

- Coloque Vicair AllRounder O2 sobre una superficie sólida o una silla. La correa para cintura y las correas de piernas deberían estar desabrochadas
- Trasládese desde su silla de ruedas hasta el Vicair AllRounder O2 y asegúrese de que se encuentra bien posicionado.
- Cierre la correa para cintura.
- Apriete la correa para cintura, siguiendo holgadamente los contornos de su cintura. El exceso de la correa para cintura puede esconderse en los soportes de la misma fijados al Harness base (arnés base).
- Cierre las correas de piernas. Puede colocar el clip en el extremo de la correa de pierna encima del clip sobre el Harness base (arnés base) y presionar los dos juntos hasta que se bloqueen.
- Apriete las dos correas de piernas, siguiendo holgadamente los contornos de sus piernas. Las piezas elásticas minimizarán la compresión en la piel y en los tejidos.

Comprobación de "bottoming out":

Imagen 6 - Quick Installation Guide

Advertencia: El coxis y los huesos de la pelvis no deben tocar la base del cojín. Se debe comprobar si se produce "bottoming out" la primera vez que se usa el cojín y después de realizar ajustes en el relleno.

Advertencia: Vicair B.V. recomienda ajustar el relleno bajo la supervisión directa de su terapeuta o su asesor técnico.

- Compruebe si se ha producido "bottoming out" después de permanecer sentado sobre el cojín durante aproximadamente 5 minutos.

- Permita que el terapeuta o el asesor técnico deslice una mano entre sus nalgas y el cojín Vicair mientras usted mantiene el cuerpo inclinado hacia delante.
- Pídale a su terapeuta o a su asesor técnico que compruebe si sus protuberancias óseas inferiores se apoyan por lo menos sobre 1 capa de SmartCells™. Esto las previene de tocar la superficie (dura) por debajo del Vicair AllRounder O2.
- No utilice el cojín si se produce "bottoming out" (tocar el fondo). En la mayoría de los casos, se solucionará el problema al ajustar el relleno de los compartimentos del cojín.

USO

Comprobación de rojeces en la piel

Imagen 7 - Quick Installation Guide

Advertencia: Compruebe regularmente si su piel se enrojece, especialmente durante el primer uso, en caso de piel muy sensible y/o durante un uso muy intensivo. Todos estos factores pueden afectar a su tolerancia cutánea. Si aparecen rojeces y no desaparecen después de 15 minutos, consulte a su terapeuta o a su asesor técnico.

Listo para su uso

Este producto Vicair está listo para su uso. Posee su propio relleno exclusivo, dependiendo del tamaño y el modelo. Sin embargo, si es necesario, se pueden retirar celdas SmartCells de los distintos compartimentos, o añadir las, para ajustar el relleno. Encontrará el grado de relleno predeterminado en la etiqueta situada en el cojín.

Ajuste del relleno

Imagen i - Quick Installation Guide

Advertencia: Vicair B.V. recomienda ajustar el relleno bajo la supervisión directa de su terapeuta o su asesor técnico. Para ajustar el

grado de relleno retire en primer lugar el Harness base. Véase «Retirar/reemplazar el Harness base (arnés base)» para obtener instrucciones.

Condiciones de uso y almacenamiento

Precaución: No use ni deje el producto cerca de una llama o expuesto a una fuente de calor a alta temperatura.

- **Peso del usuario:**
Mínimo: 15 kg / 33 libras, máximo: 100 kg / 220 libras
- **Temperatura:**
Mínimo: -20 °C / 4 °F, máximo: 55 °C / 131 °F
- **Uso a gran altura**
Aviso: Dado que cada celda SmartCell está llena de aire, el comportamiento del cojín puede variar al ser utilizado en altitud o en un avión. En estos casos, se pueden retirar unas pocas celdas de cada compartimento para ajustar la firmeza del cojín.
- **Humedad del aire:**
Mínima: 0%, máxima 100%

Uso durante actividades deportivas acuáticas

Advertencia: Lleve un chaleco salvavidas al utilizar Vicair AllRounder O2 durante actividades deportivas acuáticas.

Uso en vehículos a motor

Los cojines normales de las sillas de ruedas pueden hacer que el sistema de cinturones de seguridad del vehículo deje de ser fiable. Vicair AllRounder O2 se puede utilizar cuando se requiera protección adicional durante el transporte.

Mullido del cojín

Vicair B.V. recomienda mullir la pieza del cojín de su Vicair AllRounder O2 antes de usarlo.

Reutilización - Traspaso del producto a otro usuario

El producto es apto para un uso reiterado. El número de veces que puede utilizarse depende

de la frecuencia y el modo en que se use el producto. El producto debe lavarse y desinfectarse perfectamente antes de que pueda ser utilizado por otra persona. Consulte el capítulo "Mantenimiento y limpieza" para leer las instrucciones al respecto.

Aviso: Asegúrese de que el producto se ajusta correctamente a la otra persona.

Retirar/reemplazar el Harness base (arnés base)

Imagen i - Quick Installation Guide

En el caso de que el Harness base (o una de sus correas) de su Vicair AllRounder O2 se desgaste, reemplace el Harness base. Un Harness base de sustitución puede adquirirse por separado. Asimismo, tendrá que retirar el Harness base temporalmente cuando necesite ajustar el grado de relleno.

Para retirar y reemplazar el Harness base, realice los pasos siguientes. Estas instrucciones se corresponden con la imagen i (I, II y III) de la guía de instalación rápida.

- Abra completamente la cremallera siguiendo la base del cojín para soltar el Harness base del cojín.
- Para ajustar el grado de relleno, abra ahora la cremallera del cojín. Añada o retire la cantidad deseada de SmartCells de uno o varios compartimentos y cierre la cremallera. Asegúrese de no dañar las SmartCells.
- Fije el cojín al Harness base (de sustitución) utilizando la cremallera siguiendo la base del cojín. Asegúrese de no dañar el cojín.

Eliminación

La eliminación y el reciclaje de dispositivos usados y sus embalajes deben cumplir con la normativa aplicable. Asegúrese de limpiar el producto antes de desecharlo para evitar cualquier riesgo de contaminación.

MANTENIMIENTO Y LIMPIEZA

Advertencia: Compruebe cada 3 meses el estado del cojín y si existen celdas rotas. Si se ha producido un daño importante o hay un gran número de celdas rotas, no continúe usando el cojín. Consulte a su distribuidor.

¡Precaución! No limpie el producto con vapor o en un autoclave. El cojín no resiste las temperaturas o la presión excesivas. Si no se siguen las instrucciones de limpieza, es muy probable que el producto se deteriore más rápido.

Precaución: No utilice limpiadores agresivos o abrasivos, ni objetos cortantes para limpiar el cojín.

Precaución: No coloque la parte superior del cojín Vicair O2 contra el cristal de la puerta de la lavadora.

Limpieza del cojín Vicair AllRounder O2

Su Vicair AllRounder O2 puede lavarse en la lavadora a 60 °C / 140 °F con un programa antiarrugas y detergente suave. Cierre la correa para cintura y las correas de piernas antes del lavado. No es necesario retirar las SmartCells o el Harness base antes de introducir el Vicair AllRounder O2 en la lavadora. Asegúrese de que la parte superior del cojín no toca el cristal de la puerta de la lavadora. No cargue la lavadora con más de la mitad de la carga máxima. Debe reducirse la velocidad de centrifugado. Al usar una lavadora con agitador, asegúrese de que el cojín puede moverse con libertad dentro del tambor. No utilice lejía ni opte por la limpieza en seco. No seque su Vicair AllRounder O2 en secadora; déjelo secar al aire.



Desinfección del Vicair AllRounder O2

Advertencia: En caso de contaminación con fluidos corporales, y cuando el cojín vaya a ser utilizado por un usuario diferente, se debe desinfectar el cojín para evitar posibles contagios. Limpie el Vicair AllRounder O2 de acuerdo con las instrucciones anteriores. Preferiblemente, utilice un detergente antibacterias. Después de limpiarlo, pulverice el Vicair AllRounder O2 con un desinfectante. Pliegue los compartimentos hacia afuera para asegurarse de que el producto entra en todos los huecos.

GARANTÍA

Consulte el sitio web www.vicair.com para obtener información completa sobre los procesos de garantía, así como los términos y condiciones.

Vicair B.V. ofrece una garantía limitada que cubre defectos de mano de obra y materiales, siempre y cuando se haya utilizado el producto de forma normal. El desgaste normal y todo daño que se derive de un uso anormal, así como los causados por una manipulación o limpieza inadecuadas, o por negligencia quedan excluidos de esta garantía.

Periodo de garantía

Desde la fecha original de compra: 24 meses.
Las SmartCells de este cojín Vicair O2 incluyen garantía de por vida.

Si se detectase algún defecto en los materiales o en la mano de obra dentro del periodo de garantía mencionado anteriormente, Vicair B.V. decidirá si repara o sustituye el producto sin cargo alguno para el usuario.

Los recursos por incumplimiento de las garantías expresas se limitan a la reparación o sustitución del producto.

En ningún caso los daños por incumplimiento de la garantía incluirán daños subyacentes o superarán el coste de los productos no conformes vendidos.

¿Desea formular alguna pregunta?

Póngase en contacto con Vicair B.V. en info@vicair.com o a través del distribuidor de Vicair en su país.

Caro cliente,

Obrigado por ter escolhido um produto Vicair®. Temos a certeza de que apreciará a sua simplicidade, fiabilidade e efeito surpreendente. Para uma instalação rápida, pode utilizar o guia de instalação rápida fornecido com a sua almofada. Além disso, leia atentamente e compreenda este manual de utilizador antes de utilizá-la. Guarde o guia de instalação rápida e este manual para referência futura.

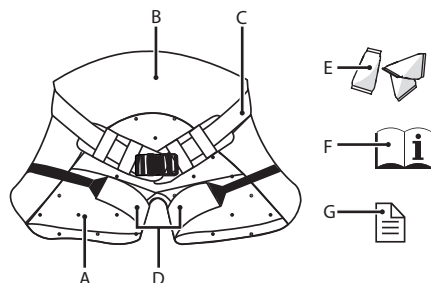
Para obter mais informações ou voltar a encomendar manuais, entre em contacto com o distribuidor do seu país.

Visite vicair.com para mais informações sobre os distribuidores.

INTRODUÇÃO

A Vicair AllRounder O2 é uma almofada que se prende ao corpo. Fornece um nível elevado de proteção da pele para pessoas com um risco acrescido de desenvolvimento de úlceras de pressão. A utilização ocasional serve para garantir conforto e prevenir úlceras de pressão em casos que não permitam ou necessitem da utilização de uma cadeira de rodas. A Vicair AllRounder O2 pode ser lavada na máquina sem ter de se retirar a Harness base (base de fixação) ou as SmartCells!

PRINCIPAIS COMPONENTES



- A.** Almofada
- B.** Harness base (Base de fixação)
- C.** Faixa abdominal
- D.** Faixas de pernas
- E.** SmartCells™, colocadas em 5 compartimentos
- F.** Manual de utilizador
- G.** Guia de instalação rápida (Quick Installation Guide)

ESPECIFICAÇÕES GERAIS DO PRODUTO

Nome do produto:	Vicair AllRounder O2
Fabricado por:	Vicair B.V., Países Baixos
Garantia:	24 meses
Peso:	0,75 kg / 1,65 lbs (tamanho M)
Tamanhos disponíveis:	Pequeno, médio, grande
Materiais utilizados:	Todos isentos de látex
Almofada:	Tecido em malha de poliéster
Enchimento da almofada:	SmartCells cheias de ar com revestimento de baixa fricção
Harness base (Base de fixação):	Tecido em nylon revestido a poliuretano. Com camada de espuma de poliuretano no interior, coberta com tecido em malha 3D em poliéster elástico tricotado.

PRECAUÇÕES E INSTRUÇÕES DE SEGURANÇA

A Vicair AllRounder O2 só pode ser usada conforme descrito no presente manual. A utilização deste produto de qualquer outra forma é considerada como sendo de uso indevido. A Vicair B.V. não pode ser responsabilizada por danos causados devido a uso indevido, inadequado ou por negligência. Certifique-se de que lê e compreende este manual na íntegra.

Aviso! O cóccix e o osso íliaco não devem tocar na parte inferior da almofada. A verificação do contacto correto com a parte inferior deve ser efetuada durante a primeira utilização e depois de adaptar o enchimento da almofada.

Aviso! Verifique regularmente se a sua pele apresenta vermelhidão. Em particular durante a primeira utilização, com pele extra sensível e/ou durante uma utilização muito intensiva. Todos estes fatores podem afetar a tolerância da sua pele. Se ocorrer vermelhidão que não desaparece ao fim de 15 minutos, consulte o seu médico ou consultor técnico.

Aviso! A Vicair B.V. recomenda a adaptação do nível de enchimento sob supervisão direta do seu terapeuta ou consultor técnico.

Aviso! Não aperte demasiado a faixa abdominal ou as faixas de pernas. Tal poderá causar a redução do fluxo sanguíneo e/ou desconforto.

Aviso! Use um colete salva-vidas quando usa a Vicair AllRounder O2 durante atividades aquáticas.

Aviso! Caso a almofada fique suja com fluidos corporais, e quando o produto é transferido para outro utilizador, deve ser desinfetado para evitar a contaminação cruzada.

Aviso! A cada três meses, verifique se o produto está desgastado ou apresenta células vazias. Em caso de danos graves ou se várias células estiverem vazias, deixe de usar o produto. Consulte o seu revendedor.

Cuidado! Não utilize nem deixe o produto próximo de uma chama desprotegida ou fonte de calor a alta temperatura.

Cuidado! Não limpe o produto com vapor nem trate com autoclave. O produto não foi concebido para suportar calor ou pressão excessivos. Quando as instruções de limpeza fornecidas não são cumpridas, é provável que o produto se desgaste mais rapidamente.

Cuidado! Não utilize produtos de limpeza agressivos ou abrasivos nem objetos afiados para limpar a almofada.

Cuidado! Não coloque o topo da almofada Vicair O2 contra o vidro da máquina de lavar.

INSTALAÇÃO

Aviso! Não aperte demasiado a faixa abdominal ou as faixas de pernas. Tal poderá causar a redução do fluxo sanguíneo e/ou desconforto.

Verificação do tamanho da Vicair AllRounder O2

Meça a largura das suas ancas para verificar se o tamanho da Vicair AllRounder O2 corresponde às medidas do seu corpo. Quando está sentado(a), segure uma fita métrica na horizontal acima do ponto mais largo das suas coxas, junto à parte frontal das suas ancas. Não siga os contornos da sua perna, mantenha a fita métrica direita. Ver imagem 1. Meça de A a B (ou de B a A).

A largura de A a B é:

- < 38 cm / < 15 polegadas = Vicair AllRounder O2 Tamanho S (Small/Pequeno)
- 38 – 42,5 cm / 15- 16¾ polegadas = Vicair AllRounder O2 Tamanho M (Medium/Médio)
- 43 - 48 cm / 17 - 19 polegadas = Vicair AllRounder O2 Tamanho L (Large/Grande)

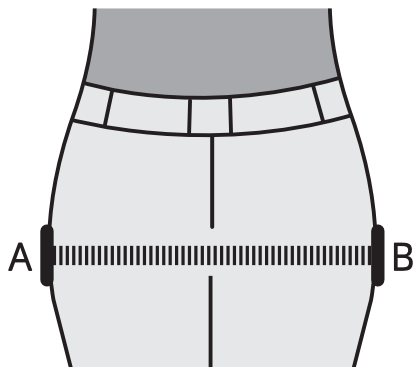


Imagem 1

Caso não seja possível recorrer ao método de medição acima descrito, pode utilizar as dimensões da sua almofada de cadeira de rodas como tamanho de referência. Ver o X na imagem 2. Meça a largura da sua almofada ou consulte a etiqueta da almofada para saber qual a largura da sua almofada.

A largura da almofada de cadeira de rodas é:

- < 40 cm / < 16 polegadas = Vicair AllRounder O2 Tamanho S (Small/Pequeno)
- 40 – 44,5 cm / 16 - 17³/₄ polegadas = Vicair AllRounder O2 Tamanho M (Medium/Médio)
- 45 - 50 cm / 18 - 20 polegadas = Vicair AllRounder O2 Tamanho L (Large/Grande)

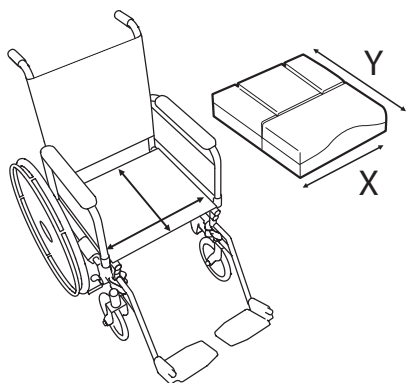


Imagem 2

Para instalar a Vicair AllRounder O2, siga os passos seguintes

Estes pontos correspondem às imagens 1-5 da instalação no Guia Rápido de Instalação. A imagem i (I, II & III) mostra como retirar a Harness base (base de fixação) para substituição ou para ajustar a almofada (capítulo "Utilização"):

- Coloque a Vicair AllRounder O2 sobre uma superfície robusta ou uma cadeira. A faixa abdominal e as faixas de pernas devem ser abertas
- Passe da cadeira de rodas para a Vicair AllRounder O2 e certifique-se de que está bem posicionado.
- Feche a faixa abdominal.
- Aperte a faixa abdominal, seguindo frouxamente os contornos da sua cintura. O que sobra da faixa pode ser colocado dentro dos suportes de faixa abdominal presos à Harness base (base de fixação).
- Feche as faixas de pernas. Pode colocar o clip na extremidade da faixa de pernas sobre o clipe na Harness base (base de fixação) e pressioná-los um contra o outro até encaixarem.
- Aperte as duas faixas de pernas, seguindo os contornos das suas pernas. As partes elásticas minimizam a compressão da pele e dos tecidos.

Verificação do contacto correto com a parte inferior:

Imagem 6 - Quick Installation Guide

Aviso! O cóccix e o osso íliaco não devem tocar na parte inferior da almofada. A verificação do contacto correto com a parte inferior deve ser efetuada durante a primeira utilização e depois de adaptar o enchimento da almofada.

Aviso! A Vicair B.V. recomenda a adaptação do nível de enchimento sob supervisão direta do seu terapeuta ou consultor técnico.

- Verifique o contacto correto com a parte inferior depois de se sentar na almofada durante cerca de 5 minutos.
- Deixe o seu terapeuta ou consultor técnico deslizar a mão entre as suas nádegas e a almofada Vicair enquanto se inclina para a frente.
- Peça ao seu médico ou consultor técnico para verificar se as suas proeminências ósseas inferiores estão apoiadas por pelo menos uma camada de SmartCells™. Tal impede-as de tocarem na superfície (rígida) debaixo da Vicair AllRounder O2.
- Não utilize a almofada se o contacto com a parte inferior for excedido. Na maioria dos casos, o problema fica resolvido ao adaptar o nível de enchimento dos compartimentos da almofada.

UTILIZAÇÃO

Verificação de vermelhidão na pele

Imagem 7 - Quick Installation Guide

Aviso! Verifique regularmente se a sua pele apresenta vermelhidão. Em particular durante a primeira utilização, com pele extra sensível e/ou durante uma utilização muito intensiva. Todos estes fatores podem afetar a tolerância da sua pele. Se ocorrer vermelhidão que não desaparece ao fim de 15 minutos, consulte o seu médico ou consultor técnico.

Pronta para a utilização

Este produto Vicair está pronto para ser utilizado. Tem o seu próprio nível de enchimento único, dependendo do tamanho e do modelo. No entanto, se necessário, o nível de enchimento pode ser adaptado acrescentando ou removendo SmartCells aos/dos vários compartimentos. Encontrará informações sobre o nível de enchimento padrão na etiqueta fixada na almofada.

Adaptação do grau de enchimento

Imagem i - Quick Installation Guide

Aviso! A Vicair B.V. recomenda a adaptação do nível de enchimento sob supervisão direta do seu médico ou consultor técnico. Para adaptar o nível de enchimento, remova previamente a Harness base (base de fixação). Consulte as instruções em "Remoção/substituição da Harness base (base de fixação)".

Condições de utilização e armazenamento

Cuidado! Não utilize nem deixe o produto próximo de uma chama desprotegida ou fonte de calor a alta temperatura.

- **Peso do utilizador:**
Mínimo: 15 kg / 33 lbs,
máximo: 100 kg / 220 lbs
- **Temperatura:**
Mínimo: -20 °C / 4 °F, máximo: 55 °C / 131 °F
- **Utilização em altitudes elevadas**
Aviso! Dado que cada SmartCell se encontra preenchida com ar, a almofada pode comportar-se de forma diferente quando utilizada em altitudes elevadas ou num avião. Nestas circunstâncias, a firmeza da almofada pode ser ajustada removendo algumas células de cada compartimento.
- **Humidade do ar:**
Mínimo: 0%, máximo 100%

Utilização em desportos aquáticos

Aviso! Use um colete salva-vidas quando usa a Vicair AllRounder O2 durante atividades aquáticas.

Utilização em veículos a motor

As almofadas de cadeiras de rodas normais podem comprometer a fiabilidade do sistema do cinto de segurança. A Vicair AllRounder O2 pode ser utilizada como alternativa segura caso necessite de proteção adicional durante o transporte.

Afofamento da almofada

AVicair B.V. recomenda o afofamento da parte da almofada da sua Vicair AllRounder O2 antes de utilizá-la.

Reutilização – Transferência do produto para outro utilizador

O produto é adequado para várias utilizações. O número de vezes que pode ser utilizado depende da frequência e do modo de utilização do produto. O produto tem de ser cuidadosamente limpo e desinfetado antes de permitir que outra pessoa o utilize. Consulte o capítulo «Manutenção e limpeza» para obter instruções.

Nota! Certifique-se de que o produto está devidamente adaptado à outra pessoa.

Remoção/substituição da Harness base (base de fixação)

Imagem i - Quick Installation Guide

Caso a Harness base (base de fixação) (ou uma das suas faixas) da Vicair AllRounder O2 esteja gasta, substituir a Harness base (base de fixação). Pode ser adquirida uma Harness base (base de fixação) separadamente. Terá também que remover a Harness base (base de fixação) temporariamente quando precisa de ajustar o nível de enchimento.

Para remover e substituir a Harness base (base de fixação), siga as seguintes etapas. Estas instruções correspondem à imagem i (I, II e III) no guia de instalação rápida.

- Abra completamente o fecho de correr ao longo do fundo da almofada para soltar a Harness base (base de fixação) da almofada.
- Para ajustar o nível de enchimento, abra o fecho de correr da almofada. Acrescente ou remova o número pretendido de SmartCells de um ou mais compartimentos e feche o fecho de correr. Tenha cuidado para não danificar as SmartCells.

- Prenda a almofada à Harness base (base de fixação) (de substituição) com o fecho de correr disposto ao longo do fundo da almofada. Tenha cuidado para não danificar a almofada.

Eliminação

A eliminação e reciclagem de dispositivos e embalagens usadas deve ser feita em conformidade com as regulamentações legais aplicáveis. Antes de proceder à sua eliminação, certifique-se de que o produto se encontra limpo, para se evitar quaisquer riscos de contaminação.

MANUTENÇÃO E LIMPEZA

Aviso! A cada três meses, verifique se o produto está desgastado ou apresenta células vazias. Em caso de danos graves ou se várias células estiverem vazias, deixe de usar o produto. Consulte o seu revendedor.

Cuidado! Não limpe o produto com vapor nem trate com autoclave. O produto não foi concebido para suportar calor ou pressão excessivos. Quando as instruções de limpeza fornecidas não são cumpridas, é provável que o produto se desgaste mais rapidamente.

Cuidado! Não utilize produtos de limpeza agressivos ou abrasivos nem objetos afiados para limpar a almofada.

Cuidado! Não coloque o topo da almofada Vicair O2 contra o vidro da máquina de lavar.

Limpeza da Vicair AllRounder O2

O seu Vicair AllRounder O2 pode ser lavado na máquina a 60°C/140 °F usando um ciclo anti-vidros e um detergente suave. Feche a faixa abdominal e as faixas de pernas antes de lavá-las. Não precisa de remover as SmartCells ou a Harness base (base de fixação) antes de colocar o Vicair AllRounder O2 na máquina de lavar. Certifique-se de que a parte superior da

almofada não fica contra o vidro da porta da máquina de lavar. Não encha a máquina com mais de metade do seu peso máximo de carga. Reduza a velocidade de centrifugação. Se usar uma máquina com agitador, certifique-se de que a almofada se move livremente dentro do tambor. Não utilize lixívia nem lave a seco! Não seque o seu Vicair AllRounder O2 na máquina de secar; deixe-o secar ao ar.



Desinfecção da sua Vicair AllRounder O2

Aviso! Caso a almofada fique suja com fluidos corporais, ou quando é transferida para outro utilizador, deve ser desinfetada para evitar a contaminação cruzada. Limpe a Vicair AllRounder O2 de acordo com as instruções acima. Utilize de preferência um detergente antibacteriano. Depois de lavar, pulverize a Vicair AllRounder O2 com um agente desinfetante. Dobre os compartimentos para fora para se certificar de que o agente penetra em todos os espaços.

GARANTIA

Consulte www.vicair.com para obter informações completas sobre os processos de garantia, termos e condições.

A Vicair B.V. oferece uma garantia limitada contra defeitos de fabrico e materiais, desde que o produto seja utilizado normalmente. O desgaste normal e quaisquer danos decorrentes de uma utilização indevida ou causados por um manuseio ou limpeza inadequados, ou por negligência, estão excluídos desta garantia.

Período de garantia

A contar da data original da compra: 24 meses.
As SmartCells nesta almofada Vicair O2 têm um período de garantia vitalício.

Caso seja detetado um defeito de material ou mão-de-obra dentro do período de garantia acima indicado, a Vicair B.V. reparará ou substituirá o produto gratuitamente a seu próprio critério.

Os recursos em caso de violação de garantias expressas no presente documento estão limitados à reparação ou substituição do produto.

As indemnizações por violação de qualquer garantia não incluem, em caso algum, danos consequenciais nem excedem o custo dos produtos vendidos não conformes.

Tem dúvidas?

Contacte a Vicair B.V. em info@vicair.com ou contacte o distribuidor Vicair do seu país.

Gentile cliente,

Grazie per aver scelto un prodotto Vicair®. Siamo sicuri che ne apprezzerete la semplicità, l'affidabilità e la fantastica efficacia. Per una rapida installazione è possibile utilizzare la guida di installazione rapida fornita con il cuscino. Inoltre si consiglia di leggere e comprendere il presente manuale prima dell'uso. Conservare sia la guida di installazione rapida che il presente manuale per farvi riferimento in futuro.

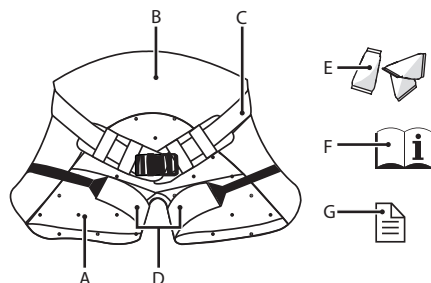
Per maggiori informazioni o per riordinare i manuali, contattare il distributore nel proprio paese.

Visitare vicair.com per informazioni sui distributori.

INTRODUZIONE

Vicair AllRounder O2 è un cuscino che viene avvolto intorno al corpo. Fornisce un livello elevato di protezione cutanea per individui ad alto rischio di sviluppo di lesioni da decubito. Questo cuscino per usi occasionali viene impiegato per fornire comfort e prevenire le lesioni da decubito in situazioni che non consentono o richiedono l'utilizzo di una carrozzina. Vicair AllRounder O2 può essere lavato in lavatrice senza la necessità di rimuovere l'Harness base o le SmartCells!

COMPONENTI PRINCIPALI



- A.** Cuscino
- B.** Harness base
- C.** Cinghia per la vita
- D.** Cinghie per le gambe
- E.** SmartCells™, situate in 5 settori
- F.** Manuale utente
- G.** Guida di installazione rapida (Quick Installation Guide)

SPECIFICHE GENERALI DEL PRODOTTO

Nome del prodotto:	Vicair AllRounder O2
Prodotto da:	Vicair B.V., Paesi Bassi
Garanzia:	24 mesi
Peso:	0,75 kg / 1,65 lbs (taglia M)
Taglie disponibili:	Small, medium, large
Materiali utilizzati:	Tutti privi di lattice
Cuscino:	Tessuto traspirante in poliestere
Imbottitura del cuscino:	SmartCells riempite d'aria con rivestimento a basso attrito
Harness base:	Tessuto di nylon rivestito di poliuretano. Con uno strato di schiuma di poliuretano all'interno, ricoperto con un tessuto elastico in poliestere a maglia tridimensionale.

PRECAUZIONI E ISTRUZIONI DI SICUREZZA

Vicair AllRounder O2 può essere utilizzato solo come descritto nel presente manuale. L'utilizzo del prodotto in qualsiasi altro modo è considerato un utilizzo improprio. Vicair B.V. declina ogni responsabilità per danni causati da utilizzo improprio, da utilizzo errato o da negligenza. Assicurarsi di leggere e comprendere pienamente il manuale.

Avvertenza! Il coccige e le ossa del bacino non devono toccare il fondo del cuscino. Il controllo dello "sprofondamento" deve essere eseguito durante il primo utilizzo e quindi dopo ogni regolazione dell'imbottitura del cuscino.

Avvertenza! Controllare periodicamente la pelle per verificare che non vi siano arrossamenti, particolarmente durante il primo utilizzo, con pelli molto sensibili e/o se impiegato con forti sollecitazioni. Tutti questi fattori possono influire sulla tolleranza della pelle. Se si verificano arrossamenti che non scompaiono dopo 15 minuti, consultare il proprio terapeuta o consulente tecnico.

Avvertenza! Vicair B.V. consiglia di regolare il livello di imbottitura sotto la diretta supervisione di un terapeuta o consulente tecnico.

Avvertenza! Non serrare le cinghie per la vita e per le gambe troppo saldamente. Questo potrebbe causare un restringimento del flusso sanguigno e/o fastidio.

Avvertenza! Indossare un giubbotto di salvataggio se si utilizza Vicair AllRounder O2 durante attività sportive acquatiche.

Avvertenza! Disinfettare il prodotto per evitare contaminazioni incrociate nel caso il cuscino venga sporcato con fluidi corporei o se lo si cede a un altro utente.

Avvertenza! Controllare l'usura del prodotto ed eventuali celle sgonfie ogni tre mesi. In caso di danni gravi o di una grande quantità di celle sgonfie, non continuare a utilizzare il prodotto. Consultare il rivenditore.

Attenzione! Non utilizzare né lasciare il prodotto vicino a fiamme libere o a fonti di calore ad alta temperatura.

Attenzione! Non pulire il prodotto né a vapore, né con un'autoclave. Il prodotto non è in grado di resistere a calore o pressione eccessivi. Se le istruzioni di pulizia fornite non dovessero essere seguite, è molto probabile che il prodotto si usuri più rapidamente.

Attenzione! Non utilizzare detergenti aggressivi o abrasivi, né oggetti acuminati, per pulire il cuscino.

Attenzione! Non appoggiare la parte superiore del cuscino Vicair O2 contro il vetro dello sportello della lavatrice.

INSTALLAZIONE

Avvertenza! Non serrare le cinghie per la vita e per le gambe troppo saldamente. Questo potrebbe causare un restringimento del flusso sanguigno e/o fastidio.

Controllo della taglia di Vicair AllRounder O2

Misurare la larghezza dei fianchi per verificare che la taglia di Vicair AllRounder O2 corrisponda alle dimensioni del corpo. Da seduti, tenere orizzontalmente un centimetro sul punto più largo della parte superiore delle gambe, saldamente contro la parte anteriore delle anche. Non seguire il profilo delle gambe, tenere il centimetro diritto. Si osservi la figura 1.

Misurare da A a B (o da B ad A).

La larghezza da A a B è:

- < 38 cm / < 15 pollici = Vicair AllRounder O2 taglia S (Small)
- 38 – 42,5 cm / 15- 16¾ pollici = Vicair AllRounder O2 taglia M (Medium)
- 43 - 48 cm / 17 - 19 pollici = Vicair AllRounder O2 taglia L (Large)

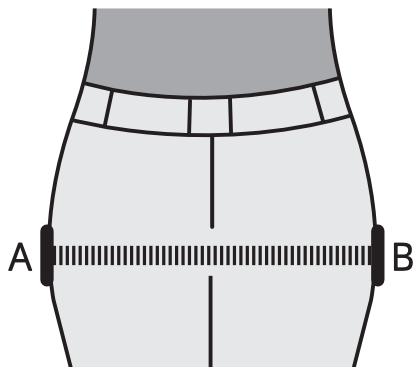


Figura 1

Se non è possibile impiegare il metodo di misurazione di cui sopra, è possibile utilizzare la taglia del cuscino per carrozzina come riferimento. Si veda X alla figura 2. Misurare la larghezza del cuscino o controllare l'etichetta del cuscino per individuare la larghezza del cuscino.

La larghezza del cuscino per carrozzina è:

- < 40 cm / < 16 pollici = Vicair AllRounder O2 taglia S (Small)
- 40 – 44,5 cm / 16 - 17¾ pollici = Vicair AllRounder O2 taglia M (Medium)
- 45 - 50 cm / 18 - 20 pollici = Vicair AllRounder O2 taglia L (Large)

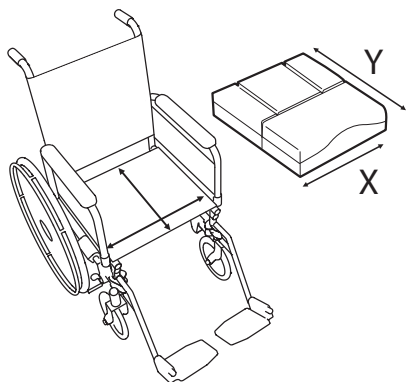


Figura 2

Eseguire i passaggi seguenti durante l'installazione di Vicair AllRounder O2

Questi passaggi corrispondono alle immagini di installazione 1-5 della guida di installazione rapida: L'immagine I (I, II e III) illustra come rimuovere l'Harness base per la sostituzione o per regolare il cuscino (capitolo 'Utilizzo'):

- Posizionare Vicair AllRounder O2 su una superficie solida o su una sedia. Le cinghie per la vita e per le gambe devono essere slacciate
- Passare dalla carrozzina al Vicair AllRounder O2 e assicurarsi di essere ben posizionati.
- Chiudere la cinghia per la vita.
- Serrare la cinghia per la vita, seguendo pressappoco il profilo della vita. La cinghia per la vita in eccesso può essere riposta nei supporti della cinghia stessa installati sull'Harness base.
- Chiudere le cinghie per le gambe. Posizionare il fermaglio all'estremità della cinghia per le gambe sulla parte superiore del fermaglio sull'Harness base e premere fino a quando scattano.
- Serrare le due cinghie per le gambe, seguendo pressappoco il profilo delle gambe. Le parti elastiche ridurranno al minimo la compressione della pelle e dei tessuti.

Controllare che non si verifichi un effetto di "sprofondamento":

Immagine 6 - Quick Installation Guide

Avvertenza! Il coccyge e le ossa del bacino non devono toccare il fondo del cuscino. Il controllo dello "sprofondamento" deve essere eseguito durante il primo utilizzo e quindi dopo ogni regolazione dell'imbottitura del cuscino.

Avvertenza! Vicair B.V. consiglia di regolare il livello di imbottitura sotto la diretta supervisione di un terapeuta o consulente tecnico.

- Controllare che il cuscino non presenti sprofondamenti dopo averlo utilizzato per circa 5 minuti.
- Lasciare che il terapeuta o il consulente tecnico infili una mano fra le natiche e il cuscino Vicair, mentre ci si sporge in avanti.
- Richiedere al terapeuta o al consulente tecnico di verificare che le sporgenze ossee inferiori siano supportate da almeno 1 strato di SmartCells™. Questo ne previene il contatto con la superficie (rigida) sotto il Vicair AllRounder O2.
- Non utilizzare il cuscino se si verifica sprofondamento. Nella maggior parte dei casi, il problema può essere risolto regolando il grado di imbottitura dei settori del cuscino.

UTILIZZO

Controllo dell'arrossamento della cute

Immagine 7 - Quick Installation Guide

Avvertenza! Controllare periodicamente la pelle per verificare che non vi siano arrossamenti, particolarmente durante il primo utilizzo, con pelli molto sensibili e/o se impiegato con forti sollecitazioni. Tutti questi fattori possono influire sulla tolleranza della pelle. Se si verificano arrossamenti che non scompaiono dopo 15 minuti, consultare il proprio terapeuta o consulente tecnico.

Pronto all'uso

Questo prodotto Vicair è pronto all'uso. Dispone di un suo esclusivo grado di imbottitura, a seconda della dimensione e del modello. Tuttavia, se necessario, il grado di imbottitura può essere regolato rimuovendo o aggiungendo SmartCells nei vari settori. Il grado di imbottitura predefinito è indicato sull'etichetta fissata sul cuscino.

Regolazione del grado di imbottitura

Immagine i - Quick Installation Guide

Avvertenza! Vicair B.V. consiglia di regolare il livello di imbottitura sotto la diretta supervisione di un terapeuta o un consulente tecnico. Per regolare il grado di imbottitura, rimuovere, per prima cosa, l'Harness base. Fare riferimento a 'Rimozione/sostituzione dell'Harness base' per le istruzioni.

Condizioni di utilizzo e conservazione

Attenzione! Non utilizzare né lasciare il prodotto vicino a fiamme libere o a fonti di calore ad alta temperatura.

- **Peso dell'utente:**
Minimo: 15 kg / 33 lbs,
massimo: 100 kg / 220 lbs
- **Temperatura:**
Minimo: -20 °C / 4 °F, massimo: 55 °C / 131 °F
- **Utilizzo ad altitudini elevate**
Nota! Poiché ciascuna SmartCell è riempita d'aria, il cuscino potrebbe comportarsi diversamente se utilizzato ad altitudini elevate o in aereo. In tali circostanze, la rigidità del cuscino può essere regolata rimuovendo alcune celle da ciascun settore.
- **Umidità dell'aria:**
Minima: 0%, massima 100%

Utilizzo durante sport acquatici

Avvertenza! Indossare un giubbotto di salvataggio se si utilizza Vicair AllRounder O2 durante attività sportive acquatiche.

Utilizzo in autoveicoli

I normali cuscini per carrozzine possono rendere inaffidabili le cinture di sicurezza dei veicoli. Vicair AllRounder O2 può essere utilizzato come alternativa sicura, se è necessaria una protezione ulteriore durante il trasporto.

Cura del cuscino

Vicair B.V. consiglia di sprimacciare il cuscino di Vicair AllRounder O2 prima dell'uso.

Riutilizzo - Cessione del prodotto a un altro utente

Il prodotto è adatto all'uso ripetuto. Il numero di volte che può essere utilizzato dipende da quanto spesso e in che modo viene utilizzato il prodotto. Il prodotto deve essere pulito e disinfettato a fondo prima di consentirne l'utilizzo da parte di un altro individuo. Fare riferimento al capitolo 'Manutenzione e pulizia' per ulteriori istruzioni.

Nota! Assicurarsi che il prodotto sia regolato correttamente per l'altra persona.

Rimozione/sostituzione dell'Harness base

Immagine i - Quick Installation Guide

Nel caso l'Harness base (o una delle sue cinghie) di Vicair AllRounder O2 sia usurato, sostituirlo. L'Harness base di ricambio può essere acquistato separatamente. Sarà anche necessario rimuovere temporaneamente l'Harness base quando è necessario regolare il grado di imbottitura.

Per rimuovere e sostituire l'Harness base, attenersi ai passaggi seguenti. Le istruzioni corrispondono all'immagine i (I, II e III) della guida di installazione rapida.

- Aprire completamente la cerniera lungo la parte inferiore del cuscino per staccare l'Harness base dal cuscino.
- Per regolare il grado di imbottitura, aprire la cerniera del cuscino. Aggiungere o rimuovere la quantità desiderata di SmartCells da uno o più settori e richiudere la cerniera. Assicurarsi di non danneggiare le SmartCells.
- Attaccare il cuscino all'Harness base (di ricambio) utilizzando la cerniera lungo la parte inferiore del cuscino. Assicurarsi di non danneggiare il cuscino.

Smaltimento

Lo smaltimento e il riciclaggio dei dispositivi usati e degli imballaggi devono rispettare le normative di legge in vigore. Assicurarsi che il prodotto sia pulito prima dello smaltimento per evitare eventuali rischi di contaminazione.

MANUTENZIONE E PULIZIA

Avvertenza! Controllare l'usura del prodotto ed eventuali celle sgonfie ogni tre mesi. In caso di danni gravi o di una grande quantità di celle sgonfie, non continuare a utilizzare il prodotto. Consultare il rivenditore.

Attenzione! Non pulire il prodotto né a vapore, né con un'autoclave. Il prodotto non è in grado di resistere a calore o pressione eccessivi. Se le istruzioni di pulizia fornite non dovessero essere seguite, è molto probabile che il prodotto si usuri più rapidamente.

Attenzione! Non utilizzare detergenti aggressivi o abrasivi, né oggetti acuminati, per pulire il cuscino.

Attenzione! Non appoggiare la parte superiore del cuscino Vicair O2 contro il vetro dello sportello della lavatrice.

Pulizia di Vicair AllRounder O2

Il Vicair AllRounder O2 può essere lavato in lavatrice a 60°C/140°F con un ciclo anti piega e un detergente delicato. Allacciare le cinghie per la vita e per le gambe prima del lavaggio. Non è necessario rimuovere le SmartCell o l'Harness base prima di inserire il Vicair AllRounder O2 in lavatrice. Assicurarsi che la parte superiore del cuscino non poggi contro il vetro dello sportello della lavatrice. Non caricare la lavatrice per più della metà del suo peso di carico massimo. La velocità di centrifuga deve essere ridotta. Quando si utilizza una macchina con agitatore, assicurarsi che il cuscino possa muoversi liberamente all'interno del tamburo. Non utilizzare candeggina a base di cloro e non

lavare a secco! Non asciugare il Vicair AllRounder O2 a macchina, ma lasciarlo asciugare all'aria.



Disinfezione di Vicair AllRounder O2

Avvertenza! Disinfettare il prodotto per evitare contaminazioni incrociate nel caso il cuscino venga sporcato con fluidi corporei o se lo si cede a un altro utente. Pulire il Vicair AllRounder O2 come indicato sopra. È preferibile utilizzare un detergente antibatterico. Dopo la pulizia, spruzzare del disinfettante sul Vicair AllRounder O2. Piegare i settori verso l'esterno per assicurarsi che lo spray raggiunga tutti gli spazi vuoti.

GARANZIA

Visitare il sito www.vicair.com per avere informazioni complete relative ai processi di garanzia, ai termini e condizioni. Vicair B.V. offre una garanzia limitata relativa a difetti di fabbricazione o nei materiali, a condizione che ne sia stato fatto un uso proprio. La normale usura ed eventuali danni derivanti da un uso improprio o da manipolazione e pulizia improprie o negligenza sono esclusi da questa garanzia.

Periodo di garanzia

Dalla data di acquisto originale: 24 mesi.
Le SmartCell di questo cuscino Vicair O2 sono coperte da garanzia permanente.

In caso di difetto imputabile alla produzione o ai materiali entro il suddetto periodo di garanzia, Vicair B.V. si riserva il diritto di riparare o sostituire il prodotto gratuitamente, a propria discrezione.

L'indennizzo per la violazione delle presenti garanzie esplicitate è limitato alla riparazione o sostituzione del prodotto.

In nessun caso danni dovuti alla violazione di eventuali garanzie includeranno danni consequenziali né supereranno il costo degli articoli non conformi venduti.

Domande?

Contattare Vicair B.V. a info@vicair.com oppure contattare il distributore Vicair nel proprio paese.



VICAIR® ALLROUNDER O2 ΕΓΧΕΙΡΙΔΙΟ ΧΡΗΣΗΣ

Αγαπητέ πελάτη,

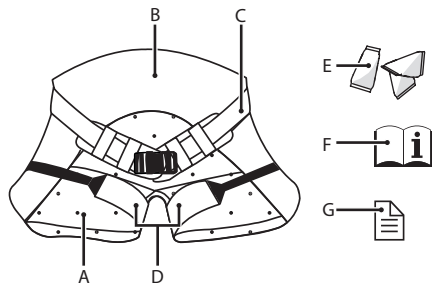
Ευχαριστούμε που επιλέξατε το προϊόν Vicair®. Θα εκτιμήσετε σίγουρα την απλότητα, την αξιοπιστία και το εκπληκτικό αποτέλεσμα. Για γρήγορη εγκατάσταση μπορείτε να χρησιμοποιήσετε τον οδηγό γρήγορης εγκατάστασης που παρέχεται με το μαξιλάρι σας. Επίσης, παρακαλούμε διαβάστε και κατανοήστε αυτό το εγχειρίδιο χρήσης πριν την χρήση. Αποθηκεύστε τον οδηγό γρήγορης εγκατάστασης και αυτό το εγχειρίδιο για μελλοντική αναφορά.

Για περισσότερες πληροφορίες ή για να ξαναπαραγγείλετε το εγχειρίδιο, επικοινωνήστε με τον αντιπρόσωπο της χώρας σας. Πληροφορίες αντιπροσώπων στο vicair.com.

ΕΙΣΑΓΩΓΗ

Το Vicair AllRounder O2 είναι ένα μαξιλάρι, το οποίο δένεται στο σώμα σας. Παρέχει υψηλό βαθμό προστασίας στην επιδερμίδα για άτομα υψηλής επικινδυνότητας στη δημιουργία έλκους κατάκλισης. Το μαξιλάρι αυτό είναι για περιστασιακή χρήση και χαρίζει άνεση ενώ παράλληλα εμποδίζει το έλκος κατάκλισης, σε περιπτώσεις που δεν είναι δυνατή ή αναγκαία η χρήση αναπηρικού αμαξιδίου. Το Vicair AllRounder O2 πλένεται στο πλυντήριο ρούχων χωρίς να αφαιρέσετε το Harness base ή τα SmartCells!

ΚΥΡΙΑ ΣΥΣΤΑΤΙΚΑ



- A.** Μαξιλάρι
- B.** Harness base
- C.** Ιμάντας για μέση
- D.** Ιμάντες για πόδια
- E.** SmartCells™, τοποθετούνται σε 5 θαλάμους
- F.** Εγχειρίδιο χρήσης
- G.** Οδηγός γρήγορης εγκατάστασης (Quick Installation Guide)

ΓΕΝΙΚΕΣ ΠΡΟΔΙΑΓΡΑΦΕΣ ΠΡΟΪΟΝΤΟΣ

Όνομα προϊόντος:	Vicair AllRounder O2
Κατασκευαστής:	Vicair B.V., Ολλανδία
Εγγύηση:	24 μήνες
Βάρος:	0,75 kg / 1,65 lbs (μέγεθος M)
Διαθέσιμα μεγέθη:	Μικρό, Μεσαίο, Μεγάλο
Χρησιμοποιούμενα υλικά:	Όλα χωρίς λάτεξ
Μαξιλάρι:	Ύφασμα από πλέγμα πολυεστέρα
Γέμισμα μαξιλαριού:	SmartCells γέμισμα με αέρα με περίβλημα χαμηλής τριβής



Harness base: Νάιλον με περίβλημα πολουρεθάνης. Εσωτερικά μία στρώση από αφρό πολουρεθάνης, η οποία καλύπτεται από πλεκτό 3D ύφασμα ελαστικού πλέγματος πολυεστέρα.

ΠΡΟΦΥΛΑΞΕΙΣ ΚΑΙ ΟΔΗΓΙΕΣ ΑΣΦΑΛΕΙΑΣ

Το Vicair AllRounder O2 μπορεί να χρησιμοποιηθεί μόνο όπως περιγράφεται στο εγχειρίδιο. Οποιαδήποτε άλλη χρήση αυτού του προϊόντος, θεωρείται ακατάλληλη. Η Vicair B.V. δεν φέρει καμία ευθύνη για βλάβες που οφείλονται σε ακατάλληλη, λανθασμένη και αλόγιστη χρήση. Βεβαιωθείτε ότι έχετε διαβάσει και έχετε κατανοήσει πλήρως αυτό το εγχειρίδιο. **Προειδοποίηση!** Ο κόκκυγας και η λεκάνη σας δεν πρέπει να αγγίζουν την κάτω πλευρά του μαξιλαριού. Ο έλεγχος του "bottoming out" πρέπει να πραγματοποιείται κατά την πρώτη χρήση και μετά την ρύθμιση για το γέμισμα του μαξιλαριού.

Προειδοποίηση! Ελέγχετε τακτικά την επιδερμίδα σας για κοκκινίλες. Ειδικά κατά την πρώτη χρήση, σε πολύ ευαίσθητο δέρμα και/ή αν γίνεται επιπλέον έντονη χρήση. Αυτοί οι παράγοντες θα επηρεάσουν ενδεχομένως την επιδερμίδα σας. Αν εμφανίζονται κοκκινίλες και δεν χάνονται μετά από 15 λεπτά, συμβουλευτείτε τον θεραπευτή ή τον τεχνικό σας.

Προειδοποίηση! Η Vicair B.V. συνιστά η ρύθμιση για το γέμισμα να πραγματοποιηθεί υπό την επίβλεψη ενός θεραπευτή ή τεχνικού.

Προειδοποίηση! Μην σφίγγετε πολύ δυνατά τον ιμάντα της μέσης ή των ποδιών. Μπορεί να προκληθεί μείωση στη ροή του αίματος και/ή δυσφορία.

Προειδοποίηση! Να χρησιμοποιείτε σωσίβιο όταν χρησιμοποιείτε το Vicair AllRounder O2 σε θαλάσσια σπορ.

Προειδοποίηση! Σε περίπτωση που λερωθεί με σωματικά υγρά, και όταν μεταφέρετε το προϊόν σε κάποιον άλλον χρήστη, πρέπει να το απολυμαίνετε για να εμποδίσετε την διασταυρούμενη επιμόλυνση.

Προειδοποίηση! Κάθε τρεις μήνες, ελέγχετε το προϊόν για φθορές και ξεφουσκωμένες κυψέλες. Σε περίπτωση σοβαρής βλάβης, ή μεγάλου αριθμού ξεφουσκωμένων κυψελών, σταματήστε να χρησιμοποιείτε το προϊόν. Συμβουλευτείτε τον αντιπρόσωπο σας.

Προσοχή! Μην χρησιμοποιείτε ή μην αφήνετε το προϊόν κοντά σε γυμνή φλόγα ή πηγή θερμότητας με υψηλή θερμοκρασία.

Προσοχή! Μην καθαρίζετε στον ατμό ή σε κλίβανο αποστείρωσης. Το προϊόν δεν αντέχει σε υπερβολική θερμότητα ή πίεση. Εάν δεν τηρούνται οι οδηγίες καθαρισμού, ενδέχεται το προϊόν και/ή το κάλυμμα του προϊόντος να υποστεί πιο γρήγορα φθορές.

Προσοχή! Μην χρησιμοποιείτε διαβρωτικά ή σκληρά καθαριστικά ή αιχμηρά αντικείμενα για τον καθαρισμό του μαξιλαριού.

Προσοχή! Η πάνω πλευρά του μαξιλαριού Vicair O2 δεν πρέπει να ακουμπάει στο τζάμι της πόρτας πλυντηρίου.

ΕΓΚΑΤΑΣΤΑΣΗ

Προειδοποίηση! Μην σφίγγετε πολύ δυνατά τον ιμάντα της μέσης ή των ποδιών. Μπορεί να προκληθεί μείωση στη ροή του αίματος και/ή δυσφορία.

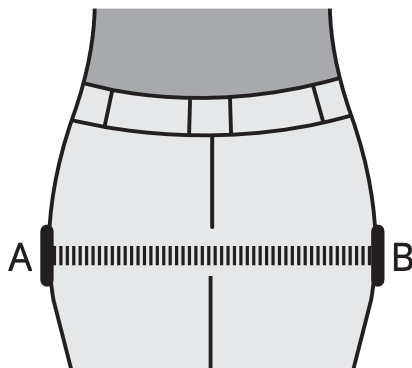
Έλεγχος μεγέθους του Vicair AllRounder O2

Μετρήστε το φάρδος της περιφέρειας σας για να βεβαιωθείτε ότι το Vicair AllRounder O2 ταιριάζει στο μέγεθος του σώματός σας. Όταν κάθεστε, κρατήστε ένα μέτρο οριζόντια πάνω από το πιο φαρδύ σημείο του πάνω μέρους των

ποδιών σας, κοντά στην μπροστινή πλευρά της περιφέρειάς σας. Μην ακολουθείτε το περίγραμμα του ποδιού σας, κρατήστε ίσιο το μέτρο. Δείτε Εικόνα 1. Μέτρηση από Α έως Β (ή Β έως Α).

Το φάρδος Α έως Β είναι:

- < 38 cm / < 15 ίντσες = Vicair AllRounder O2 Μέγεθος S (Μικρό)
- 38 – 42,5 cm / 15- 16¾ inch = Vicair AllRounder O2 Μέγεθος M (μεσαίο)
- 43 – 48 cm / 17 - 19 inch = Vicair AllRounder O2 Μέγεθος L (μεγάλο)

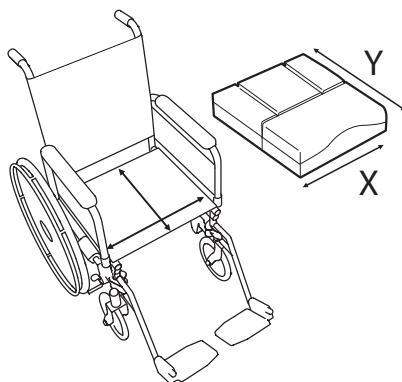


Εικόνα 1

Αν δεν είναι δυνατόν να πραγματοποιηθεί ο παραπάνω τρόπος μέτρησης, μπορείτε να χρησιμοποιήσετε για μέγεθος αναφοράς το μαξιλάρι του αναπηρικού αμαξιδίου. Δείτε Χ στη εικόνα 2. Μετρήστε το πλάτος του μαξιλαριού σας ή ελέγξτε την ετικέτα του μαξιλαριού για το πλάτος του.

Το πλάτος στο μαξιλάρι του αναπηρικού αμαξιδίου είναι:

- < 40 cm / < 16 ίντσες = Vicair AllRounder O2 Μέγεθος S (Μικρό)
- 40 – 44,5 cm / 16 - 17¾ inch = Vicair AllRounder O2 Μέγεθος M (μεσαίο)
- 45 – 50 cm / 18 - 20 inch = Vicair AllRounder O2 Μέγεθος L (μεγάλο)



Εικόνα 2

Πραγματοποιήστε τα παρακάτω βήματα κατά την εγκατάσταση του Vicair AllRounder O2

Αυτά τα βήματα αντιστοιχούν στις εικόνες εγκατάστασης 1-5 του οδηγού γρήγορης εγκατάστασης: Η εικόνα i (I, II & III) δείχνει πως να απομακρύνετε το Harness base για να το αντικαταστήσετε ή για να προσαρμόσετε το μαξιλάρι (κεφάλαιο «Χρήση»):

- Τοποθετήστε το Vicair AllRounder O2 σε μία σταθερή επιφάνεια ή σε μία καρέκλα. Ο ιμάντας της μέσης και των ποδιών πρέπει να είναι ελεύθερος.
- Μετακινηθείτε από το αναπηρικό αμαξίδιο στο Vicair AllRounder O2 και βεβαιωθείτε ότι είστε στη σωστή θέση.
- Κλείστε τον ιμάντα της μέσης.
- Σφίξτε τον ιμάντα της μέσης, χαλαρά ακολουθώντας το περίγραμμα της μέσης σας. Ο ιμάντας της μέσης που περισσεύει μπορεί να τοποθετηθεί στα στηρίγματα των ιμάντων μέσης που βρίσκονται στην Harness base.
- Κλείστε τους ιμάντες των ποδιών. Μπορείτε να τοποθετήσετε το κλιπ στην άκρη του ιμάντα του ποδιού πάνω στο κλιπ της Harness base και να τα πιέσετε μαζί μέχρι να κλειδωθούν.
- Σφίξτε τους δύο ιμάντες των ποδιών, χαλαρά ακολουθώντας το περίγραμμα των ποδιών

σας. Τα ελαστικά μέρη θα μειώσουν την πίεση στην επιδερμίδα και τον ιστό.

Έλεγχος για “bottoming out”:

Εικόνα 6 - Quick Installation Guide

Προειδοποίηση! Ο κόκκυγας και η λεκάνη σας δεν πρέπει να αγγίζουν την κάτω πλευρά του μαξιλαριού. Ο έλεγχος του “bottoming out” πρέπει να πραγματοποιείται κατά την πρώτη χρήση και μετά την ρύθμιση για το γέμισμα του μαξιλαριού.

Προειδοποίηση! Η Vicair B.V. συνιστά η ρύθμιση για το γέμισμα να πραγματοποιηθεί υπό την επίβλεψη ενός θεραπευτή ή τεχνικού.

- Ελέγξτε για bottoming out, μόλις καθίσετε στο μαξιλάρι για περίπου 5 λεπτά.
- Ενώ γέρνετε προς τα εμπρός, επιτρέψτε στον θεραπευτή σας ή τον τεχνικό να γλιστρήσει το χέρι του ανάμεσα στους γλουτούς σας και το μαξιλάρι Vicair.
- Ζητήστε από τον θεραπευτή ή το τεχνικό σας να ελέγξουν αν τα χαμηλότερα οστικά εξογκώματα στηρίζονται τουλάχιστον από 1 στρώση SmartCells™. Αυτό τα εμποδίζει να αγγίζουν την (σκληρή) επιφάνεια κάτω από το Vicair AllRounder O2.
- Μην χρησιμοποιείτε το μαξιλάρι αν προκύψει «bottoming out». Στις περισσότερες περιπτώσεις, η ρύθμιση για το γέμισμα των θαλάμων του μαξιλαριού λύνει το πρόβλημα.

ΧΡΗΣΗ

Έλεγχος για κοκκινίλες στην επιδερμίδα

Εικόνα 7 - Quick Installation Guide

Προειδοποίηση! Ελέγχετε τακτικά την επιδερμίδα σας για κοκκινίλες. Ειδικά κατά την πρώτη χρήση, σε πολύ ευαίσθητο δέρμα και/ή αν γίνεται επιπλέον έντονη χρήση. Αυτοί οι παράγοντες θα επηρεάσουν ενδεχομένως την επιδερμίδα σας. Αν εμφανίζονται κοκκινίλες και δεν χάνονται μετά από 15 λεπτά, συμβουλευτείτε τον θεραπευτή ή τον τεχνικό σας.

Έτοιμο για χρήση

Το προϊόν Vicair είναι έτοιμο για χρήση. Έχει το δικό του μοναδικό γέμισμα, σύμφωνα με το μέγεθος και το μοντέλο. Ωστόσο - αν χρειάζεται, το γέμισμα μπορεί να ρυθμιστεί αφαιρώντας ή προσθέτοντας SmartCells από/προς τους διάφορους θαλάμους. Μπορείτε να βρείτε την προεπιλεγμένη ρύθμιση για γέμισμα στην ετικέτα του μαξιλαριού.

Ρύθμιση για το γέμισμα

Εικόνα i - Quick Installation Guide

Προειδοποίηση! Η Vicair B.V. συνιστά η ρύθμιση για το γέμισμα να πραγματοποιηθεί υπό την επίβλεψη ενός θεραπευτή ή τεχνικού. Για να ρυθμίσετε το γέμισμα πρέπει πρώτα να απομακρύνετε την Harness base. Δείτε τις οδηγίες στην ενότητα «Απομάκρυνση/αντικατάσταση της Harness base».

Συνθήκες χρήσης και αποθήκευσης

Προσοχή! Μην χρησιμοποιείτε ή μην αφήνετε το προϊόν κοντά σε γυμνή φλόγα ή πηγή θερμότητας με υψηλή θερμοκρασία.

- **Βάρος χρήστη:**
Ελάχιστο: 15 kg / 33 lbs,
μέγιστο: 100 kg / 220 lbs
- **Θερμοκρασία:**
Ελάχιστο: -20 °C / 4 °F,
μέγιστο: 55 °C / 131 °F
- **Χρήση σε μεγάλο υψόμετρο**
Σημείωση! Επειδή το κάθε SmartCell περιέχει αέρα, το μαξιλάρι μπορεί να συμπεριφερθεί διαφορετικά όταν χρησιμοποιείται σε μεγάλο υψόμετρο ή σ' ένα αεροπλάνο. Υπό αυτές τις συνθήκες, μπορείτε να ρυθμίσετε την σταθερότητα του μαξιλαριού αφαιρώντας μερικές κυψέλες από κάθε θάλαμο.
- **Υγρασία του αέρα:**
Ελάχιστη: 0%, μέγιστη: 100%

Χρήση σε θαλάσσια σπορ

Προειδοποίηση! Να χρησιμοποιείτε σωσίβιο όταν χρησιμοποιείτε το Vicair AllRounder O2 σε θαλάσσια σπορ.

Χρήση σε ηλεκτρικά αμαξίδια

Τα κανονικά μαξιλάρια αναπηρικών αμαξιδίων μπορεί να καθιστούν αναξιόπιστο το σύστημα ζώνης ασφαλείας του οχήματος. Το Vicair AllRounder O2 μπορεί να χρησιμοποιηθεί σαν ασφαλής εναλλακτική αν απαιτείται επιπλέον προστασία κατά την μετακίνηση.

Γέμισμα μαξιλαριού

Η Vicair B.V. συνιστά το γέμισμα του μαξιλαριού του Vicair AllRounder O2 πριν από την χρήση.

Επαναχρησιμοποίηση - Όταν μεταφέρετε το προϊόν σε κάποιον άλλον χρήστη

Το προϊόν είναι κατάλληλο για επαναλαμβανόμενη χρήση. Ο αριθμός των φορών που μπορεί να χρησιμοποιηθεί εξαρτάται από την συχνότητα και τον τρόπο που χρησιμοποιείται το προϊόν. Ο καθαρισμός και η απολύμανση του προϊόντος πρέπει να πραγματοποιείται σε βάθος, προτού επιτρέψετε να χρησιμοποιηθεί από άλλο άτομο. Δείτε το κεφάλαιο "Συντήρηση και καθαρισμός" για τις οδηγίες.

Σημείωση! Βεβαιωθείτε ότι το προϊόν έχει ρυθμιστεί σωστά στο άλλο άτομο.

Απομάκρυνση/αντικατάσταση της Harness base

Εικόνα i - Quick Installation Guide
Σε περίπτωση που φθαρεί η Harness base (ή ένας από τους ιμάντες της) του Vicair AllRounder O2, αντικαταστήστε την Harness base. Μπορείτε να προμηθευτείτε χωριστά την Harness base αντικατάστασης. Πρέπει, επίσης, να απομακρύνετε προσωρινά την Harness base όταν ρυθμίζετε το γέμισμα.

Για να απομακρύνετε και να αντικαταστήσετε την Harness base, ακολουθήστε τα παρακάτω βήματα. Οι οδηγίες αυτές αντιστοιχούν στην εικόνα i (I, II & III) του Quick Installation Guide (Οδηγός γρήγορης εγκατάστασης).

- Ανοίξτε πλήρως το φερμουάρ από την κάτω πλευρά του μαξιλαριού για να αποσπάσετε την Harness base από το μαξιλάρι.
- Για να ρυθμίσετε το γέμισμα, ανοίξτε τώρα το φερμουάρ του μαξιλαριού. Προσθέστε ή αφαιρέστε τον αριθμό των SmartCells που θέλετε από έναν ή περισσότερους θαλάμους και κλείστε το φερμουάρ. Βεβαιωθείτε ότι δεν προκαλείτε βλάβη στα SmartCells.
- Προσαρμόστε το μαξιλάρι στην Harness base (αντικατάσταση) με το φερμουάρ από την κάτω πλευρά του μαξιλαριού. Βεβαιωθείτε ότι δεν προκαλείτε βλάβη στο μαξιλάρι.

Απόρριψη

Η απόρριψη και η ανακύκλωση των χρησιμοποιημένων συσκευών και συσκευασιών πρέπει να πληροί τον ισχύοντα κανονισμό. Βεβαιωθείτε ότι το προϊόν είναι καθαρό προτού το απορρίψετε για να εμποδίσετε τον κίνδυνο μόλυνσης.

ΣΥΝΤΗΡΗΣΗ ΚΑΙ ΚΑΘΑΡΙΣΜΟΣ

Προειδοποίηση! Κάθε τρεις μήνες, ελέγχετε το προϊόν για φθορές και ξεφουσκωμένες κυψέλες. Σε περίπτωση σοβαρής βλάβης, ή μεγάλου αριθμού ξεφουσκωμένων κυψελών, σταματήστε να χρησιμοποιείτε το προϊόν. Συμβουλευτείτε τον αντιπρόσωπο σας.

Προσοχή! Μην καθαρίζετε στον ατμό ή σε κλίβανο αποστείρωσης. Το προϊόν δεν αντέχει σε υπερβολική θερμότητα ή πίεση. Εάν δεν τηρούνται οι οδηγίες καθαρισμού, ενδέχεται το προϊόν και/ή το κάλυμμα του προϊόντος να υποστεί πιο γρήγορα φθορές.

Προσοχή! Μην χρησιμοποιείτε διαβρωτικά ή σκληρά καθαριστικά ή αιχμηρά αντικείμενα για τον καθαρισμό του μαξιλαριού.

Προσοχή! Η πάνω πλευρά του μαξιλαριού Vicair O2 δεν πρέπει να ακουμπάει στο τζάμι της πόρτας πλυντηρίου.

Καθαρισμός του Vicair AllRounder O2

Το Vicair AllRounder O2 μπορεί να πλυθεί στο πλυντήριο ρούχων στους 60°C / 140 °F σε πρόγραμμα με προστασία από το σοαλάκωμα και με ήπιο απορρυπαντικό. Κλείστε τον ιμάντα της μέσης και των ποδιών πριν από το καθάρισμα. Δεν χρειάζεται να αφαιρέσετε τα SmartCells ή το Harness base προτού τοποθετήσετε το Vicair AllRounder O2 μέσα στο πλυντήριο ρούχων. Βεβαιωθείτε ότι η πάνω πλευρά του μαξιλαριού δεν ακουμπάει το τζάμι της πόρτας πλυντηρίου. Μην γεμίζετε το πλυντήριο με πάνω από το μισό του μέγιστου βάρους του φορτίου. Επίσης, πρέπει να μειωθεί η ταχύτητα περιστροφής. Όταν χρησιμοποιείτε ένα πλυντήριο με αναδευτήρα, βεβαιωθείτε ότι το μαξιλάρι κινείται χωρίς εμπόδιο μέσα στο τύμπανο. Μην χρησιμοποιείτε χλωρίνη και μην πραγματοποιείτε στεγνό καθάρισμα! Μην στεγνώνετε στο στεγνωτήριο το Vicair AllRounder O2, αφήστε το να στεγνώσει σε φυσικό αέρα.



Απολύμανση του Vicair AllRounder O2

Προειδοποίηση! Σε περίπτωση που λερωθεί με σωματικά υγρά, και όταν μεταφέρετε το προϊόν σε κάποιον άλλον χρήστη, πρέπει να το απολυμαίνετε για να εμποδίσετε την διασταυρούμενη επιμόλυνση. Καθαρίστε το Vicair AllRounder O2 σύμφωνα με τις παρακάτω οδηγίες. Χρησιμοποιείτε καλύτερα ένα αντιβακτηριακό απορρυπαντικό. Μετά τον καθαρισμό, ψεκάστε το Vicair AllRounder O2 με ένα προϊόν απολύμανσης. Λυγίστε προς τα έξω τους θαλάμους για να βεβαιωθείτε ότι το στρέι πηγαίνει σ' όλα τα κενά.

ΕΓΓΥΗΣΗ

Παρακαλούμε δείτε στο www.vicair.com όλες τις πληροφορίες σχετικά με τις διαδικασίες εγγύησης, τους όρους και τις προϋποθέσεις. Το Vicair B.V. προσφέρει περιορισμένη εγγύηση σε ελαττώματα λόγω κατασκευής και υλικών, υπό την προϋπόθεση ότι το προϊόν χρησιμοποιείται κανονικά. Η φυσιολογική φθορά του και κάθε βλάβη που προκύπτει λόγω ακατάλληλης χρήσης, ή μη σωστού χειρισμού, καθαρισμού ή αμέλειας, δεν περιλαμβάνεται σε αυτή την εγγύηση.

Περίοδος εγγύησης

Από την αρχική ημερομηνία αγοράς: 24 μήνες. Τα SmartCells στο μαξιλάρι Vicair O2 έχουν εγγύηση εφόρου ζωής.

Σε περίπτωση που προκύψει κάποιο ελάττωμα στα υλικά ή στην κατασκευή εντός της παραπάνω αναφερόμενης περιόδου εγγύησης, η Vicair B.V. - με δική της απόφαση - θα επιδιορθώσει ή θα αντικαταστήσει το προϊόν χωρίς καμία χρέωση. Το κάλυμμα μαξιλαριού δεν περιλαμβάνεται στην εγγύηση.

Τα μέσα προσφυγής για παράβαση των ρητών εγγυήσεων στο παρόν έγγραφο περιορίζονται στην επιδιόρθωση ή την αντικατάσταση του προϊόντος.

Σε καμία περίπτωση οι ζημιές από την παραβίαση οποιασδήποτε εγγύησης δεν θα περιλαμβάνουν τυχόν επακόλουθη ζημία ούτε θα υπερβαίνουν το κόστος των μη συμμορφούμενων αγαθών που έχουν πουληθεί.

Κάποια ερώτηση;

Επικοινωνήστε με την Vicair B.V. στο info@vicair.com ή με τον αντιπρόσωπο της Vicair στη χώρα σας.

Poštovani korisniče,

Zahvaljujemo Vam na kupnji proizvoda Vicair®. Sigurni smo da ćete cijeniti jednostavnost, pouzdanost i fantastičan učinak. Za brzu ugradnju možete koristiti priručnik za brzu ugradnju koji dolazi uz Vaš jastuk. Također vas molimo da pročitate i proučite ovaj korisnički priručnik prije uporabe. Priručnik za brzu ugradnju i ovaj priručnik sačuvajte za buduću uporabu.

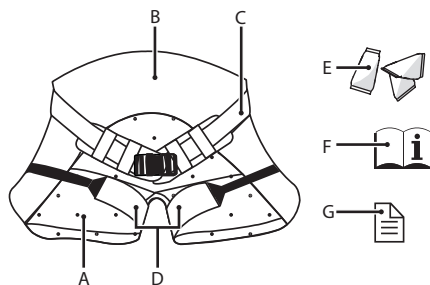
Za više informacija ili za (ponovnu) narudžbu priručnika, kontaktirajte distributera u svojoj državi.

Za informacije o distributerima posjetite: vicair.com.

UVOD

Vicair AllRounder O2 je jastuk koji je pričvršćen za vaše tijelo. On pruža visoku razinu zaštite kože osobama koje su izložene visokom riziku od nastanka dekubitusa. Ovaj jastuk za povremenu uporabu koristi se za pružanje udobnosti i sprječavanje nastanka dekubitusa u situacijama koje ne dopuštaju ili zahtijevaju uporabu invalidskih kolica. Vicair AllRounder O2 se može strojno prati bez uklanjanja Harness base (osnova za sprezanje) ili SmartCells!

GLAVNE KOMPONENTE



- A.** Jastuk
- B.** Harness base (osnova za sprezanje)
- C.** Remen za struk
- D.** Remenje za noge
- E.** SmartCells™, postavljene u 5 odjeljka
- F.** Korisnički priručnik
- G.** Priručnik za brzu ugradnju (Quick Installation Guide)

OPĆE KARAKTERISTIKE PROIZVODA

Naziv proizvoda:	Vicair AllRounder O2
Proizvodi:	Vicair B.V., Nizozemska
Jamstvo:	24 mjeseca
Težina:	0,75 kg / 1,65 lbs (veličina M)
Dostupne veličine:	Mala, srednja, velika
Korišteni materijali:	sve bez lateksa
Jastuk:	mrežasta tkanina od poliestera
Punjenje jastuka:	ćelije punjene zrakom SmartCells s oblogom niske razine trenja
Harness base (osnova za sprezanje):	Najlonska tkanina obložena poliuretanom. S unutarnjim slojem od poliuretanske pjene, pokriven pletenom elastičnom poliesterskom 3D mrežastom tkaninom.

MJERE OPREZA I SIGURNOSNE UPUTE

Vicair AllRounder O2 se može koristiti samo na način kako je opisano u ovom priručniku.

Uporaba ovog proizvoda na bilo koji drugi način smatra se pogrešnom uporabom. Vicair B.V. ne može se smatrati odgovornim za štetu nastalu uslijed pogrešne i neodgovarajuće uporabe ili nemara. Svakako se pobrinite da pročitate i razumijete ovaj priručnik u cijelosti.

Upozorenje! Vaša trtična kost ili karlične kosti ne bi trebale dodirivati dno jastuka. Tijekom prve uporabe trebalo bi provjeriti "bottoming out" te nakon prilagodbe punjenju jastuka.

Upozorenje! Redovito provjeravajte svoju kožu na crvenilo. Pogotovo tijekom prve uporabe, s posebno osjetljivom kožom i/ili tijekom iznimno grube uporabe. Sve su ovo čimbenici koji mogu utjecati na toleranciju vaše kože. Ako dođe do pojave crvenila koje ne nestaje nakon 15 minuta, posavjetujte se sa svojim terapeutom ili tehničkim savjetnikom.

Upozorenje! Vicair B.V. preporučuje podešavanje stupnja punjenja pod neposrednim nadzorom terapeuta ili tehničkog savjetnika.

Upozorenje! Ne stežite remen za struk ili remenje za noge isuviše jako. To može dovesti do smanjenja protoka krvi i/ili nelagode.

Upozorenje! Nosite prsluk za spašavanje kada koristite Vicair AllRounder O2 tijekom sportskih aktivnosti na vodi.

Upozorenje! U slučaju uprljanosti proizvoda tjelesnim tekućinama, te prilikom prijenosa proizvoda na drugog korisnika, proizvod je potrebno dezinficirati kako bi se izbjegla obostrana kontaminacija.

Upozorenje! Svaka tri mjeseca provjerite istrošenost proizvoda i ispuhane stanice. U slučaju ozbiljnog oštećenja ili velikog broja ispuhanih stanica, nemojte nastaviti s korištenjem proizvoda. Konzultirajte svog distributera.

Opres! Nemojte koristiti ili ostavljati proizvod u blizini otvorenog plamena ili izvora visoke temperature.

Opres! Nemojte čistiti proizvod parom ili uređajima s visokim pritiskom i temperaturom. Proizvod ne može izdržati prekomjernu vrućinu ili pritisak. U slučaju nepridržavanja uputa o čišćenju, vrlo je velika vjerojatnost bržeg starenja proizvoda.

Opres! Nemojte koristiti agresivna ili abrazivna sredstva za čišćenje ili oštre predmete za čišćenje jastuka.

Opres! Nemojte stavljati gornju stranu Vicair O2 jastuka okrenutu prema staklu na vratima perilice.

UGRADNJA

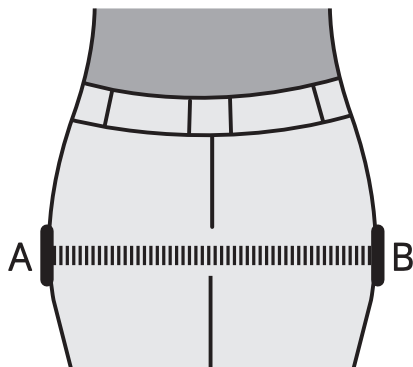
Upozorenje! Ne stežite remen za struk ili remenje za noge isuviše jako. To može dovesti do smanjenja protoka krvi i/ili nelagode.

Provjera veličine Vicair AllRounder O2

Izmjerite širinu svojih kukova kako biste provjerili da li veličina Vicair AllRounder O2 odgovara veličini vašeg tijela. Kada sjedite, držite traku za mjerenje u horizontalnom položaju iznad najšire točke gornjeg dijela vaših nogu, vrlo blizu naspram prednjeg dijela vaših kukova. Nemojte pratiti konture noge, držite ravno traku za mjerenje. Vidite sliku 1. Izmjerite od A do B (ili od B do A).

Širina od A do B je:

- < 38 cm / < 15 inča = Vicair AllRounder O2 veličina S (mala)
- 38 - 42,5 cm / 15 - 16¾ inča = Vicair AllRounder O2 veličina M (srednja)
- 43 - 48 cm / 17 - 19 inča = Vicair AllRounder O2 veličina L (velika)

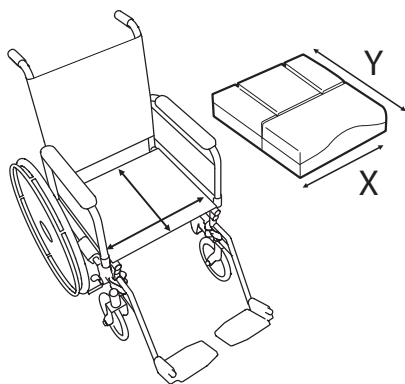


Slika 1

Ako nije moguće izvršiti gore navedenu metodu mjerenja, možete koristiti veličinu svog jastuka za invalidska kolica kao referencu za veličinu. Vidite X na slici 2. Izmjerite širinu svog jastuka ili provjerite oznaku na jastuku kako biste saznali širinu vašeg jastuka.

Širina jastuka za invalidska kolica je:

- < 40 cm / < 16 inča = Vicair AllRounder O2 veličina S (mala)
- 40 - 44,5 cm / 16 - 17¾ inča = Vicair AllRounder O2 veličina M (srednja)
- 45 - 50 cm / 18 - 20 inča = Vicair AllRounder O2 veličina L (velika)



Slika 2

Izvršite sljedeće korake prilikom ugradnje Vicair AllRounder O2

Ovi koraci odgovaraju slikama za ugradnju 1-5 u vodiču za brzu ugradnju. Slika i (I, II i III) prikazuje na koji način ukloniti Harness base (osnova za sprezanje) radi zamjene ili prilagodbe jastuka (poglavlje „Uporaba“):

- Postavite Vicair AllRounder O2 na čvrstu površinu ili stolicu. Remen za struk i remenje za noge trebaju biti otkopčani
- Prebacite se iz invalidskih kolica na Vicair AllRounder O2 i uvjerite se da ste se dobro smjestili.
- Zatvorite remen za struk.
- Pritegnite remen za struk, prateći konture vašeg struka. Višak remena za struk može se uvući u držače remena za struk koji su pričvršćeni za Harness base (osnova za sprezanje).
- Zatvorite remenje za noge. Na kraju remenja za noge na vrhu spojnice na Harness base (osnova za sprezanje) možete staviti spojnicu i pritisnuti to dvoje zajedno dok se ne zatvore u mjestu.
- Pritegnite dva remena za noge, prateći konture vaših nogu. Elastični dijelovi će smanjiti sabijanje kože i tkiva.

Provjera “pražnjenja”:

Slika 6 - Quick Installation Guide

Upozorenje! Vaša trtična kost ili karlične kosti ne bi trebale dodirivati dno jastuka. Tijekom prve uporabe trebalo bi provjeriti “bottoming out” te nakon prilagodbe punjenju jastuka.

Upozorenje! Vicair B.V. preporučuje podešavanje stupnja punjenja pod neposrednim nadzorom terapeuta ili tehničkog savjetnika.

- Provjerite je li se jastuk ispraznio nakon što ste na njemu sjedili otprilike 5 minuta.
- Neka Vaš terapeutu ili tehnički savjetnik rukom skliznu između Vaše stražnjice i jastuka Vicair dok se naginjete prema naprijed.

- Zamolite svog terapeuta ili tehničkog savjetnika da provjeri podupire li jastuk vaše najniže koštane izbočine s najmanje 1 slojem SmartCells™. Time se sprječava dodirivanje (tvrde) površine ispod Vicair AllRounder O2.
- Nemojte koristiti jastuk ako dođe do pražnjenja. U većini slučajeva, podešavanje stupnja punjenja odjeljaka jastuka riješit će problem.

UPORABA

Provjera crvenila kože

Slika 7 - Quick Installation Guide

Upozorenje! Redovito provjeravajte svoju kožu na crvenilo. Pogotovo tijekom prve uporabe, s posebno osjetljivom kožom i/ili tijekom iznimno grube uporabe. Sve su ovo čimbenici koji mogu utjecati na toleranciju vaše kože. Ako dođe do pojave crvenila koje ne nestaje nakon 15 minuta, posavjetujte se sa svojim terapeutom ili tehničkim savjetnikom.

Spremno za uporabu

Ovaj Vicair proizvod spreman je za uporabu. Ima svoj vlastiti jedinstveni stupanj punjenja, ovisno o veličini i modelu. Ipak - ako je nužno, stupanj punjenja moguće je podešavati uklanjanjem ili dodavanjem SmartCells iz/u različite odjeljke. Zadani stupanj punjenja možete pronaći na oznaci pričvršćenoj na jastuk.

Podešavanje stupnja punjenja

Slika i - Quick Installation Guide

Upozorenje! Vicair B.V. preporučuje podešavanje stupnja punjenja pod izravnim nadzorom terapeuta ili tehničkog savjetnika. Da biste podesili stupanj punjenja, prvo uklonite Harness base (osnova za sprezanje). Za upute pogledajte odjeljak „Uklanjanje/zamjena Harness base (osnova za sprezanje)“.

Uvjeti uporabe i čuvanja

Opres! Nemojte koristiti ili ostavljati proizvod u blizini otvorenog plamena ili izvora visoke temperature.

- **Težina korisnika:**
Minimalno: 15 kg / 33 lbs,
maksimalno: 100 kg / 220 lbs
- **Temperatura:**
Minimalno: -20 °C / 4 °F,
maksimalno: 55 °C / 131 °F
- **Uporaba na velikoj visini**
Napomena! S obzirom na to da je svaka ćelija SmartCell ispunjena zrakom, jastuk se može drugačije ponašati prilikom korištenja na velikoj nadmorskoj visini ili u zrakoplovu. U takvim okolnostima, čvrstoću jastuka moguće je podesiti uklanjanjem nekoliko ćelija iz svakog odjeljka.
- **Vlažnost zraka:**
Minimalno: 0%, maksimalno 100%

Uporaba tijekom bavljenja sportovima na vodi

Upozorenje! Nosite prsluk za spašavanje kada koristite Vicair AllRounder O2 tijekom sportskih aktivnosti na vodi.

Uporaba u motornim vozilima

Normalni jastuci za invalidska kolica mogu učiniti sustav sigurnosnog pojasa u vozilu nepouzdanim. Vicair AllRounder O2 je moguće koristiti kao sigurnu alternativu ako vam je potrebna dodatna zaštita tijekom prijevoza.

Rastresanje jastuka

Vicair B.V. preporučuje da rastresete dio jastuka vašeg Vicair AllRounder O2 prije uporabe.

Ponovno korištenje - Prenosanje proizvoda na drugog korisnika

Proizvod je prikladan za ponovljeno korištenje. Broj korištenja ovisi o učestalosti i načinu korištenja proizvoda. Proizvod je potrebno temeljito očistiti i dezinficirati prije nego što ga smije koristiti druga osoba. Za upute pogledajte poglavlje 'Održavanje i čišćenje'.

Napomena! Pazite da proizvod bude odgovarajuće prilagođen drugoj osobi.

Uklanjanje/zamjena Harness base (osnova za sprezanje)

Slika i - Quick Installation Guide

U slučaju da je Harness base (ili jedan od njenih remenja) na vašem Vicair AllRounder O2 istrošen, zamijenite Harness base (osnova za sprezanje). Zamjenski Harness base (osnova za sprezanje) može se kupiti zasebno. Također ćete morati privremeno ukloniti Harness base (osnova za sprezanje) kada trebate prilagoditi stupanj punjenja.

Da biste uklonili i zamijenili Harness base (osnova za sprezanje), obavite sljedeće korake. Ove upute odgovaraju slici i (I, II i III) u vodiču za brzu ugradnju.

- U potpunosti otvorite zatvarač prateći dno jastuka kako biste odvojili Harness base (osnova za sprezanje) od jastuka.
- Da biste prilagodili stupanj punjenja, otvorite zatvarač jastuka. Dodajte ili uklonite željeni broj SmartCells iz jednog ili više odjeljaka i zatvorite zatvarač. Pazite da ne oštetite SmartCells.
- Pričvrstite jastuk na (zamjenski) Harness base (osnova za sprezanje) tako što ćete koristiti zatvarač prateći dno jastuka. Pazite da ne oštetite jastuk.

Odlaganje

Odlaganje i recikliranje korištenih uređaja i ambalaže mora odgovarati važećim propisima. Pazite da proizvod bude očišćen prije odlaganja kako bi se izbjegla bilo kakva opasnost od kontaminacije.

ODRŽAVANJE I ČIŠĆENJE

Upozorenje! Svaka tri mjeseca provjerite istrošenost proizvoda i ispuhane stanice. U slučaju ozbiljnog oštećenja ili velikog broja ispuhanih stanica, nemojte nastaviti s korištenjem proizvoda. Konzultirajte svog distributera.

Oprez! Nemojte čistiti proizvod parom ili uređajima s visokim pritiskom i temperaturom. Proizvod ne može izdržati prekomjernu vrućinu ili pritisak. U slučaju nepridržavanja uputa o čišćenju, vrlo je velika vjerojatnost bržeg starenja proizvoda.

Oprez! Nemojte koristiti agresivna ili abrazivna sredstva za čišćenje ili oštre predmete za čišćenje jastuka.

Oprez! Nemojte stavljati gornju stranu Vicair O2 jastuka okrenutu prema staklu na vratima perilice.

Čišćenje Vicair AllRounder O2

Vaš Vicair AllRounder O2 možete prati u perilici na temperaturi od 60 °C/140 °F pomoću ciklusa protiv gužvanja i blagog deterdženta. Prije pranja zatvorite remen za struk i remenje za noge. Prije stavljanja Vicair AllRounder O2 u perilicu nije potrebno uklanjati SmartCells ili Harness base (osnovu za sprezanje). Uvjerite se da gornja strana jastuka nije postavljena uz staklo na vratima perilice. Nemojte puniti perilicu s više od polovine njenog maksimalnog kapaciteta. Potrebno je smanjiti brzinu okretaja. Kada koristite perilicu s miješalicom, uvjerite se da se jastuk može slobodno kretati unutar bubnja. Nemojte koristiti izbjeljivače na bazi klora i kemijsko čišćenje! Vaš Vicair AllRounder O2 nemojte sušiti u sušilici, nego ga ostavite da se suši na zraku.



Dezinficiranje Vašeg Vicair AllRounder O2

Upozorenje! U slučaju zaprljanosti proizvoda tjelesnim tekućinama, te prilikom prijenosa proizvoda na drugog korisnika, proizvod je potrebno dezinficirati kako bi se izbjegla obostrana kontaminacija. Očistite Vicair AllRounder O2 prema navedenim uputama. Po mogućnosti koristite anti-bakterijski deterdžent. Nakon čišćenja, pošpricajte Vicair AllRounder O2 dezinfekcijskim sredstvom. Nagnite odjeljke prema van kako biste bili sigurni da će raspršivač ući u otvore.

JAMSTVO

Pogledajte www.vicair.com za potpune informacije o jamstvenim postupcima, uvjetima i odredbama.

Vicair B.V. pruža ograničeno jamstvo za nedostatke u izradi i materijalima, pod uvjetom da je proizvod pravilno korišten. Normalno habanje i trošenje te bilo kakvo oštećenje uzrokovano neispravnom uporabom ili neodgovarajućim rukovanjem, odnosno čišćenjem ili nemarom isključeno je iz ovog jamstva.

Jamstveno razdoblje

Od originalnog datuma kupnje: 24 mjeseca. SmartCells u ovom Vicair O2 jastuku imaju doživotno jamstveno razdoblje.

U slučaju da se nedostatak u materijalima ili izradi dogodi tijekom prethodno spomenutog jamstvenog razdoblja, Vicair B.V. će – prema vlastitom odabiru – besplatno popraviti ili zamijeniti proizvod.

Način otklanjanja kršenja izričitog jamstva ograničen je na popravak ili zamjenu proizvoda. Šteta za kršenje bilo kakvog jamstva ni u kom slučaju ne uključuje nikakvu posljedičnu štetu, niti prelazi trošak neodgovarajuće prodane robe.

Imate li pitanja?

Kontaktirajte Vicair B.V. na info@vicair.com ili kontaktirajte distributera Vicaira za Vašu zemlju.

Spoštovani uporabnik,

zahvaljujemo se vam, ker ste se odločili za nakup izdelka Vicair®. Prepričani smo, da vas bodo njegove preprostost, zanesljivost in učinkovitost navdušile. Za hitro namestitev lahko uporabite kratka navodila, ki so priložena blazini. Pred uporabo morate prebrati in razumeti tudi ta uporabniški priročnik. Kratka navodila in ta priročnik shranite za prihodnjo uporabo.

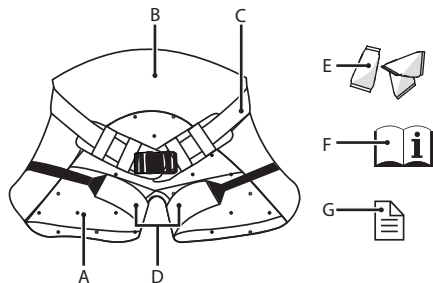
Če potrebujete več informacij ali če želite (ponovno) naročiti priročnike, se obrnite na distributerja za vašo državo.

Za informacije o distributerjih obiščite spletno mesto vicair.com.

UVOD

Vicair AllRounder O2 je blazina, ki je pripeta na vaše telo. Osebam s povečanim tveganjem za razvoj razjed zaradi pritiska zagotavlja zaščito kože. Ta blazina za občasno uporabo se uporablja za udobje in preprečevanje razjed zaradi pritiska v situacijah, ki ne dovolijo ali zahtevajo uporabe invalidskega vozička. Vicair AllRounder O2 lahko operete v pralnem stroju, ne da bi vam bilo treba odstraniti Harness base ali SmartCells!

OSNOVNI SESTAVNI DELI



- A. Blazina
- B. Harness base
- C. Trak za pas
- D. Trakovi za noge
- E. Jedro SmartCells™, vstavljeno v 5 razdelkov
- F. Uporabniški priročnik
- G. Kratka navodila (Quick Installation Guide)

SPLOŠNI PODATKI O IZDELKU

Ime izdelka:	Vicair AllRounder O2
Proizvajalec:	Vicair B.V., Nizozemska
Garancija:	24 mesecev
Teža:	0,75 kg / 1,65 lbs (velikost M)
Razpoložljive velikosti:	Small, Medium, Large
Uporabljeni materiali:	ne vsebujejo lateksa
Blazina:	mrežasta poliestrska tkanina
Polnilo blazine:	zračno jedro SmartCells s prevleko za zmanjšanje trenja
Harness base:	s poliuretanom premazano najlonsko blago. S plastjo poliuretanske pene v notranjosti, prekrito s pletenim elastičnim poliestrskim 3D mrežastim blagom.

PREVIDNOSTNI UKREPI IN VARNOSTNA NAVODILA

Vicair AllRounder O2 je dovoljeno uporabljati samo kot je opisano v priročniku. Uporaba tega izdelka za druge namene se šteje za napačno. Vicair B.V. ne prevzema odgovornosti za škodo, ki nastane zaradi napačne ali nepravilne uporabe ali malomarnosti. Priročnik morate obvezno v celoti prebrati in razumeti.

Opozorilo! Trtica in medenične kosti ne smejo biti v stiku z dnom blazine. Med prvo uporabo in po prilagajanju napolnjenosti blazine preverite, da se trtica in medenične kosti ne posedejo do dna blazine.

Opozorilo! Redno preverjajte, ali je koža podela. Zlasti pri prvi uporabi, če imate občutljivo kožo in/ali pri zelo grobi uporabi. Vse to so dejavniki, ki lahko vplivajo na tolerance kože. Če se pojavi rdečina, ki po 15 minutah ne izgine, se posvetujte s svojim terapevtom ali tehničnim svetovalcem.

Opozorilo! Družba Vicair B.V. priporoča, da stopnjo napolnjenosti prilagodite pod neposrednim nadzorom terapevta ali tehničnega svetovalca.

Opozorilo! Traku za pas ali trakov za noge ne pripenjajte pretesno. Lahko omeji prekrvavitev in/ali povzroči nelagodje.

Opozorilo! Če Vicair AllRounder O2 uporabljate pri vodnih športih, nosite rešilni jopič.

Opozorilo! Če so na blazini prisotni madeži zaradi telesnih tekočin in preden blazino uporabite pri drugem uporabniku, jo dezinficirajte, da preprečite navzkrižno kontaminacijo.

Opozorilo! Vsake tri mesece preverite obrabo blazine in puščanje zraka iz celic. Izdelek v primeru hudih poškodb in velikega števila izpraznjenih celih prenehajte uporabljati. Posvetujte se z distributorjem.

Pozor! Ne uporabljajte in ne puščajte izdelka v bližini odprtega ognja ali vira toplote.

Pozor! Izdelka ne čistite s paro ali v avtoklavu.

Izdelek ni obstojen na prekomerno toploto ali tlak. Če ne boste upoštevali navedenih navodil za čiščenje, je zelo verjetno, da se bo izdelek hitreje obrabil.

Pozor! Za čiščenje ne uporabljajte agresivnih ali abrazivnih čistil in ostrih predmetov.

Pozor! Zgornje strani blazine Vicair O2 ne polagajte ob steklo vrat pralnega stroja.

NAMESTITEV

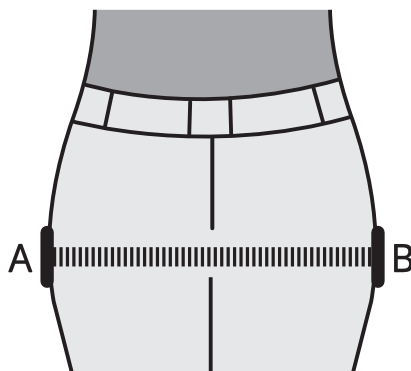
Opozorilo! Traku za pas ali trakov za noge ne pripenjajte pretesno. Lahko omeji prekrvavitev in/ali povzroči nelagodje.

Preverjanje velikosti Vicair AllRounder O2

Izmerite širino bokov, da preverite, če se velikost Vicair AllRounder O2 ujema z velikostjo vašega telesa. Ko sedite, držite merilni trak vodoravno nad najširšo točko stegen tik ob sprednjem delu bokov. Ne sledite obliki nog, merilni trak naj bo raven. Glej sliko 1. Merite od A do B (ali B do A).

Širina od A do B je:

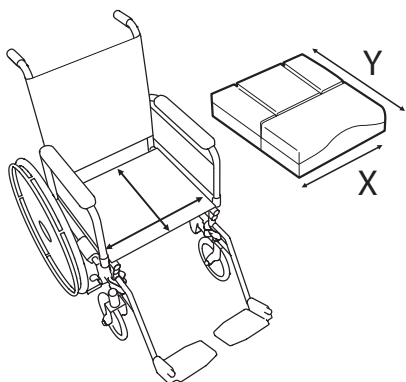
- < 38 cm / < 15 inch = Vicair AllRounder O2 velikost S (Small)
- 38 – 42,5 cm / 15 – 16¾ inch = Vicair AllRounder O2 velikost M (Medium)
- 43 – 48 cm / 17 – 19 inch = Vicair AllRounder O2 velikost L (Large)



Slika 1

Če ni mogoče izvesti zgornje merilne metode, lahko za referenco uporabite velikost blazine vozička. Glej X na sliki 2. Za določanje širine blazino izmerite ali preverite listek na blazini. Širina blazine za invalidske vozičke je:

- < 40 cm / < 16 inch = Vicair AllRounder O2 velikost S (Small)
- 40 – 44,5 cm / 16 – 17¾ inch = Vicair AllRounder O2 velikost M (Medium)
- 45 – 50 cm / 18 – 20 inch = Vicair AllRounder O2 Size L (Large)



Slika 2

Pri nameščanju blazine Vicair AllRounder O2 opravite naslednje korake

Ti koraki ustrezajo slikam namestitve 1–5 v kratkih navodilih. Slika I (I, II & III) prikazuje, kako odstraniti Harness base za zamenjavo ali prilagoditev blazine (poglavje »Uporaba«):

- Postavite Vicair AllRounder O2 na trdno površino ali stol. Trak za pas in trakovi za noge morajo biti odpeti
- Prestavite se z vozička na Vicair AllRounder O2 in se prepričajte, da ste dobro nameščeni.
- Spnite trak za pas.
- Zategnite trak za pas, tako da ohlapno sledi obliki vašega pasu. Odvečen trak lahko zatlačite v držala za trak za pas, ki so pritrjena na Harness base.
- Spnite trakove za noge. Sponko lahko namestite na konec traku za noge na vrh

sponke na Harness base in ju pritisnite skupaj, da se spneta.

- Zategnite trakova za noge, tako da ohlapno sledita obliki vaših nog. Elastični deli bodo zmanjšali pritisk na kožo in tkivo.

Preverjanje stika z dnom blazine:

Slika 6 – Quick Installation Guide

Opozorilo! Trtica in medenične kosti ne smejo biti v stiku z dnom blazine. Med prvo uporabo in po prilagajanju napolnjenosti blazine preverite, da se trtica in medenične kosti ne posedejo do dna blazine.

Opozorilo! Družba Vicair B.V. priporoča, da stopnjo napolnjenosti prilagodite pod neposrednim nadzorom terapevta ali tehničnega svetovalca.

- Po približno 5 minutah sedenja na blazini preverite, da trtica in medenične kosti niso v stiku z dnom blazine.
- Medtem ko se nagibate naprej, naj terapevt ali tehnični svetovalec potisne roko med vašo zadnjico in blazino Vicair.
- Terapevta ali tehničnega svetovalca prosite, da preveri, ali je pod vašimi najnižjimi izstopajočimi kostmi vsaj 1 plast SmartCells™. To prepreči, da bi se dotikale (trde) površine pod Vicair AllRounder O2.
- Če se trtica in medenične kosti posedejo do dna blazine, blazine ne uporabite. V večini primerov je težavo mogoče odpraviti s prilagajanjem stopnje napolnjenosti razdelkov blazine.

UPORABA

Preverjanje pordelosti kože

Slika 7 – Quick Installation Guide

Opozorilo! Redno preverjajte, ali je koža pordela. Zlasti pri prvi uporabi, če imate občutljivo kožo in/ali pri zelo grobi uporabi. Vse to so dejavniki, ki lahko vplivajo na tolerance kože. Če se pojavi rdečina, ki po 15 minutah ne

izgine, se posvetujte s svojim terapevtom ali tehničnim svetovalcem.

Pripravljeno na uporabo

Ta izdelek Vicair je pripravljen za uporabo. Izdelek ima glede na velikost in model edinstveno stopnjo napolnjenosti. Toda stopnjo napolnjenosti je po potrebi mogoče spremeniti – z odstranjevanjem celic SmartCells iz različnih razdelkov ali dodajanjem celic vanje. Privzeta stopnja napolnjenosti je navedena na oznaki na blazini.

Prilaganje stopnje napolnjenosti

Slika i – Quick Installation Guide

Opozorilo! Vicair B.V. priporoča, da stopnjo napolnjenosti prilagodite pod neposrednim nadzorom terapevta ali tehničnega svetovalca. Za prilagoditev stopnje napolnjenosti najprej odstranite Harness base. Za navodila glej »Odstranjevanje/zamenjava Harness base«.

Pogoji uporabe in shranjevanja

Pozor! Ne uporabljajte in ne puščajte izdelka v bližini odprtega ognja ali vira toplote.

- **Teža uporabnika:**
najmanj: 15 kg / 33 lbs,
največ: 100 kg / 220 lbs
- **Temperatura:**
najmanj: -20 °C / 4 °F, največ: 55 °C / 131 °F
- **Uporaba na visoki nadmorski višini**
Obvestilo! Vsaka celica SmartCell je napolnjena z zrakom, zato se lahko lastnosti blazine pri uporabi na visoki nadmorski višini ali v letalu spremenijo. V takšnih primerih lahko trdoto blazine prilagodite tako, da iz vsakega razdelka odstranite nekaj celic.
- **Vlažnost zraka:**
najmanj: 0 %, največ: 100 %

Uporaba pri vodnih športih

Opozorilo! Če Vicair AllRounder O2 uporabljate pri vodnih športih, nosite rešilni jopič.

Uporaba v motornih vozilih

Zaradi običajnih blazin za vozičke je sistem varnostnih pasov lahko nezanesljiv. Vicair AllRounder O2 se lahko uporablja kot varna alternativa, če potrebujete dodatno zaščito med transportom.

Rahljanje blazine

Vicair B.V. priporoča rahljanje blazine kot del Vicair AllRounder O2 pred uporabo.

Ponovna uporaba – predaja izdelka drugemu uporabniku

Izdelek je primeren za večkratno uporabo. Število ponovnih uporab izdelka je odvisno od pogostosti in načina uporabe. Preden lahko izdelek uporabi druga oseba, ga morate temeljito očistiti in dezinficirati. Za navodila glejte poglavje «Vzdrževanje in čiščenje». **Obvestilo!** Poskrbite, da bo izdelek pravilno prilagojen drugi osebi.

Odstranjevanje/zamenjava Harness base

Slika i – Quick Installation Guide

Če je Harness base (ali eden od trakov) Vicair AllRounder O2 obrabljen, zamenjajte Harness base. Nadomestna Harness base je naprodaj posebej. Harness base boste morali začasno odstraniti tudi, ko morate prilagoditi stopnjo napolnjenosti.

Za odstranitev in zamenjavo Harness base izvedite spodaj naštete korake. Ta navodila, ustrezajo sliki i (I, II in III) v kratkih navodilih.

- Popolnoma odprite zadrgo na dnu blazine, da ločite Harness base od blazine.
- Da prilagodite stopnjo napolnjenosti, odprite zadrgo blazine. Dodajte ali odstranite zeleno število SmartCells z enega ali več razdelkov in zapnite zadrgo. Pazite, da ne poškodujete celic SmartCells.
- Prilagodite blazino na (nadomestno) Harness base tako, da uporabite zadrgo na dnu blazine. Pazite, da ne poškodujete blazine.

Odstranjevanje

Pri odstranjevanju in recikliranju uporabljenih naprav in embalaže je treba upoštevati veljavne zakonske predpise. Poskrbite, da je izdelek pred odstranitvijo očiščen, da se prepreči tveganje okužb.

VZDRŽEVANJE IN ČIŠČENJE

Opozorilo! Vsake tri mesece preverite obrabo blazine in puščanje zraka iz celic. Izdelek v primeru hudih poškodb in velikega števila izpraznjenih celih prenehajte uporabljati. Posvetujte se z distributerjem.

Pozor! Izdelka ne čistite s paro ali v avtoklavu. Izdelek ni obstojen na prekomerno toploto ali tlak. Če ne boste upoštevali navedenih navodil za čiščenje, je zelo verjetno, da se bo izdelek hitreje obrabil.

Pozor! Za čiščenje ne uporabljajte agresivnih ali abrazivnih čistil in ostrih predmetov.

Pozor! Zgornje strani blazine Vicair O2 ne polagajte ob steklo vrat pralnega stroja.

Čiščenje izdelka Vicair AllRounder O2

Vicair AllRounder O2 je mogoče oprati v pralnem stroju pri temperaturi 60 °C/140 °F s programom proti mečkanju in blagim detergentom. Pred pranjem zapnite trak za pas in trakova za noge. Pred pranjem Vicair AllRounder O2 v pralnem stroju celice SmartCells ali Harness base ni treba odstraniti. Prepričajte se, da se zgornji del blazine ne naslanja ob steklo vrat pralnega stroja. Ne napolnite pralnega stroja do več kot polovice. Zmanjšajte hitrost centrifuge. V primeru pralnega stroja z mešalom se prepričajte, da se lahko blazina prosto premika po bobnu. Ne uporabljajte belil na osnovi klora in izdelka ne čistite kemično! Vicair AllRounder O2 ne sušite v sušilnem stroju, temveč na zraku.



Razkuževanje izdelka Vicair AllRounder O2

Opozorilo! Če so na blazini prisotni madeži zaradi telesnih tekočin in preden blazino uporabite pri drugem uporabniku, jo dezinficirajte, da preprečite navzkrižno kontaminacijo. Očistite Vicair AllRounder O2, kot je navedeno zgoraj. Po možnosti uporabite antibakterijski detergent. Po čiščenju popršite Vicair AllRounder O2 in prevleko z dezinfekcijskim sredstvom. Predelke upognite navzven, da pršilo nanese tudi v reže.

GARANCIJA

Za celotne informacije o garancijskih postopkih in pogojih obiščite spletno mesto www.vicair.com.

Družba Vicair B.V. ob običajni uporabi izdelka zagotavlja omejeno garancijo za napake v izdelavi in materialu. Običajna obraba in škoda, ki nastane zaradi neobičajne uporabe ali nepravilnega ravnanja, čiščenja ali malomarnosti, ni vključena v garancijo.

Garancijski rok

Od dneva prvega nakupa: 24 mesecev.

Celice SmartCells v blazini Vicair O2 imajo doživljenjsko garancijo.

Če napako v materialu ali izdelavi odkrijete znotraj navedenega garancijskega roka, družba Vicair B.V. po lastni presoji brezplačno popravi ali zamenja izdelek.

Pravna sredstva za kršitev izrecnih garancij so omejena na popravilo ali zamenjavo izdelka. Škoda zaradi kršitve garancije v nobenem primeru ne bo vključevala nobene posledične škode in ne bo preseгла stroška kupljenega neustreznega izdelka.

Ali imate kakšna vprašanja?

Na družbo Vicair B.V. se obrnite prek e-poštnega naslova info@vicair.com ali pa se obrnite na distributerja za izdelke Vicair v svoji državi.

Szanowni klienci!

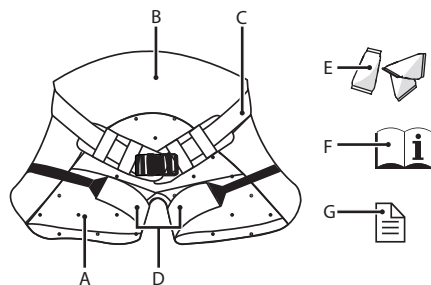
Dziękujemy za wybór produktu marki Vicair®. Jesteśmy pewni, że docenią Państwo jego prostotę, niezawodność i fantastyczne działanie. W celu szybkiej instalacji można skorzystać ze skróconej instrukcji instalacji dostarczonej wraz z poduszką. Przed rozpoczęciem użytkowania należy również zapoznać się z niniejszą instrukcją obsługi i przyswoić sobie jej treść. Zarówno skróconą instrukcję montażu, jak i niniejszą instrukcję obsługi należy zachować do wykorzystania w przyszłości.

Aby uzyskać więcej informacji lub zamówić instrukcję, należy skontaktować się z dystrybutorem w danym kraju. Informacje na temat dystrybutora znajdują Państwo na stronie vicair.com.

WPROWADZENIE

Vicair AllRounder O2 to poduszka, którą mocuje się do ciała. Poduszka zapewnia wysoki poziom ochrony skóry osobom obciążonym wysokim ryzykiem powstania odleżyn. Poduszka jest przeznaczona do sporadycznego użytkowania, a jej zadaniem jest zapewnianie komfortu i zapobieganie powstawaniu odleżyn w sytuacjach, które nie wymagają lub pozwalają na korzystanie z wózka inwalidzkiego. Poduszkę Vicair AllRounder O2 można prać w pralce bez demontażu pasa uprząży Harness base oraz wkładów SmartCells!

GŁÓWNE ELEMENTY



- A.** Poduszka
- B.** Harness base (pas uprząży)
- C.** Pas biodrowy
- D.** Pasy na nogi
- E.** Wkłady SmartCells™, umieszczone w 5 komorach
- F.** Instrukcja obsługi
- G.** Skrócona instrukcja instalacji (Quick Installation Guide)

OGÓLNE SPECYFIKACJE PRODUKTU

Nazwa produktu:	Vicair AllRounder O2
Producent:	Vicair B.V., Holandia
Gwarancja:	24 miesiące
Ciężar:	0,75 kg / 1,65 lbs (rozmiar M)
Dostępne rozmiary:	Small, Medium, Large
Zastosowane materiały:	Bez zawartości lateksu
Poduszka:	Siatkowa tkanina poliestrowa
Wypełnienie poduszki:	Wypełnione powietrzem wkłady SmartCells o niskim współczynniku tarcia powłoki
Harness base (pas uprząży):	Tkanina nylonowa powleczona poliuretanem. Z warstwą pianki poliuretano-wej wewnątrz oraz pokryciem z siatkowej, elastycznej dzianiny poliestrowej 3D.

ŚRODKI OSTROŻNOŚCI I INSTRUKCJE BEZPIECZEŃSTWA

Poduszki Vicair AllRounder O2 należy używać wyłącznie zgodnie z instrukcjami przedstawionymi w niniejszej instrukcji użytkowania. Korzystanie z tego produktu w jakikolwiek inny sposób jest uważane za niewłaściwe użytkowanie. Firma Vicair B.V. nie ponosi odpowiedzialności za szkody powstałe w wyniku niewłaściwego użytkowania, niewłaściwego korzystania lub zaniedbania. Prosimy o zapoznanie się z pełną treścią niniejszej instrukcji.

Ostrzeżenie! Kość ogonowa i kości miednicy nie powinny dotykać dna poduszki. Kontrolę „bottoming out” należy wykonać w czasie pierwszego użycia i po dostosowaniu wypełnienia poduszki.

Ostrzeżenie! Regularnie sprawdzaj skórę pod kątem zaczerwienienia. Zwłaszcza w przypadku pierwszego użycia, jeśli skóra jest wyjątkowo wrażliwa i/lub podczas intensywnego użytkowania. Wszystkie te czynniki mogą wpływać na stopień tolerancji skóry. W przypadku wystąpienia zaczerwienienia, które nie znika po upływie 15 minut, skonsultuj się z terapeutą lub doradcą technicznym.

Ostrzeżenie! Firma Vicair B.V. zaleca dostosowanie wypełnienia poduszki pod bezpośrednim nadzorem terapeuty lub doradcy technicznego.

Ostrzeżenie! Nie zapinaj pasa biodrowego i pasów na nogi zbyt ciasno. Może to spowodować zmniejszenie przepływu krwi i/lub dyskomfort.

Ostrzeżenie! Podczas uprawiania sportów wodnych z poduszką Vicair AllRounder O2, należy nosić kamizelkę ratunkową.

Ostrzeżenie! W przypadku zabrudzenia płynami ustrojowymi lub przekazania produktu innemu użytkownikowi produkt należy zdezynfekować w celu uniknięcia zanieczyszczenia krzyżowego.

Ostrzeżenie! Raz na trzy miesiące należy sprawdzić produkt pod kątem zużycia i spadku

ciśnienia powietrza w wypełnieniu. W przypadku poważnego uszkodzenia lub spadku ciśnienia powietrza w wielu wkładach nie należy więcej korzystać z produktu. Należy skonsultować się ze sprzedawcą.

Przeostroga! Nie używaj ani nie pozostawiaj produktu w pobliżu otwartego ognia lub źródła ciepła o wysokiej temperaturze.

Przeostroga! Nie czyść produktu parą ani autoklawem. Produkt nie wytrzymuje nadmiernego ciepła ani ciśnienia. Jeśli podane instrukcje dotyczące czyszczenia nie będą przestrzegane, jest bardzo prawdopodobne, że produkt szybciej się „zestarzeje”.

Przeostroga! Do czyszczenia poduszki nie należy używać żrących czy ścierających środków czyszczących ani ostrych przedmiotów.

Przeostroga! Nie umieszczaj górnej części poduszki Vicair O2 przy szklanej powierzchni drzwiczek pralki.

INSTALACJA

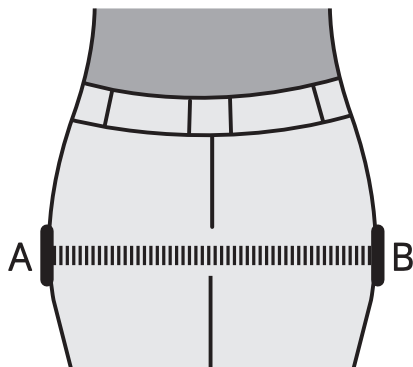
Ostrzeżenie! Nie zapinaj pasa biodrowego i pasów na nogi zbyt ciasno. Może to spowodować zmniejszenie przepływu krwi i/lub dyskomfort.

Sprawdzanie rozmiaru poduszki Vicair AllRounder O2

Zmierz szerokość bioder, aby sprawdzić, czy rozmiar poduszki Vicair AllRounder O2 pasuje do rozmiaru Twojego ciała. Siedząc, przytrzymaj miarkę poziomo w najszerszym punkcie ud, blisko bioder. Nie kładź miarki na nogach – trzymaj ją prosto. Patrz Rysunek 1. Zmierz odległość od punktu A do punktu B (lub od B do A).

Odległość od punktu A do punktu B wynosi:

- < 38 cm / < 15 cali = Vicair AllRounder O2 w rozmiarze S (Small)
- 38-42,5 cm / 15-16¾ cala = Vicair AllRounder O2 w rozmiarze M (Medium)
- 43-48 cm / 17-19 cali = Vicair AllRounder O2 w rozmiarze L (Large)

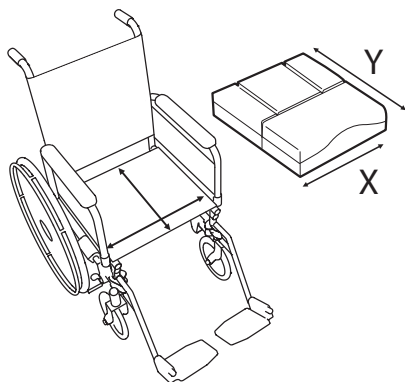


Rysunek 1

Jeśli nie jest możliwe wykonanie pomiaru powyższą metodą, jako wzoru możesz użyć rozmiaru poduszki wózka inwalidzkiego. Patrz X na Rysunku 2. Zmierz szerokość poduszki lub sprawdź etykietę poduszki, aby uzyskać informację o jej szerokości.

Szerokość poduszki wózka inwalidzkiego wynosi:

- < 40 cm / < 16 cali = Vicair AllRounder O2 w rozmiarze S (Small)
- 40-44,5 cm / 16-17¾ cala = Vicair AllRounder O2 w rozmiarze M (Medium)
- 45-50 cm / 18-20 cali = Vicair AllRounder O2 w rozmiarze L (Large)



Rysunek 2

Podczas montażu poduszki Vicair AllRounder O2 należy wykonać następujące kroki

Odpowiadają one rysunkom 1–5 zamieszczonym w skróconej instrukcji instalacji. Zdjęcie i (I, II i III) pokazuje, jak odpiąć pas uprząży Harness base w celu dokonania wymiany lub regulacji poduszki (rozdział „Użytkowanie”):

- Ułóż poduszkę Vicair AllRounder O2 na twardej powierzchni lub krześle. Pas biodrowy i pasy na nogi powinny być rozpięte
- Przesiądź się z wózka inwalidzkiego na poduszkę Vicair AllRounder O2 i upewnij się, że dobrze siedzisz.
- Zapnij pas biodrowy.
- Zaciśnij go tak, aby luźno przylegał do tułowia. Końcówki pasa można schować w uchwytach znajdujących się przy pasie uprząży Harness base.
- Zapnij pasy na nogi. Możesz umieścić zacisk końcówki pasa na nogi na zacisku umieszczonym na pasie uprząży Harness base i ścisnąć je – powinny się zablokować.
- Zaciśnij pasy tak, aby luźno przylegały do ud. Elementy elastyczne minimalizują ryzyko ucisku na skórę i tkanki.

Kontrola „bottoming out”:

Rycina 6 – Quick Installation Guide

Ostrzeżenie! Kość ogonowa i kości miednicy nie powinny dotykać dna poduszki. Kontrolę „bottoming out” należy wykonać w czasie pierwszego użycia i po dostosowaniu wypełnienia poduszki.

Ostrzeżenie! Firma Vicair B.V. zaleca dostosowanie wypełnienia poduszki pod bezpośrednim nadzorem terapeuty lub doradcy technicznego.

- Sprawdź poduszkę pod kątem „bottoming out”, siedząc na poduszce przez około 5 minut.

- Pochyl się do przodu. Niech Twój terapeuta lub doradca techniczny wsunie dłoń pomiędzy Twoje pośladki i poduszkę Vicair.
- Poproś, aby sprawdził, czy Twoje najniższe punkty kostne są podparte przez co najmniej 1 warstwę wkładów SmartCells™. Zapobiega to dotykaniu przez nie (twardej) powierzchni pod poduszką Vicair AllRounder O2.
- Jeśli jej dotyczą, nie używaj poduszki. W większości przypadków problem ten rozwiąże wyregulowanie stopnia wypełnienia komór poduszki.

ZASTOSOWANIE

Sprawdzanie wystąpienia zaczerwienienia skóry

Rycina 7 – Quick Installation Guide

Ostrzeżenie! Regularnie sprawdzaj skórę pod kątem zaczerwienienia. Zwłaszcza w przypadku pierwszego użycia, jeśli skóra jest wyjątkowo wrażliwa i/lub podczas intensywnego użytkowania. Wszystkie te czynniki mogą wpływać na stopień tolerancji skóry. W przypadku wystąpienia zaczerwienienia, które nie znika po upływie 15 minut, skonsultuj się z terapeutą lub doradcą technicznym.

Gotowość do użycia:

Ten produkt Vicair jest gotowy do użycia. Posiada niepowtarzalny stopień wypełnienia, w zależności od rozmiaru i modelu. Jednakże – w razie potrzeby – stopień wypełnienia można wyregulować poprzez usunięcie lub dodanie wkładów SmartCells z/do poszczególnych komór. Informacje o domyślnym stopniu wypełnienia można znaleźć na etykiecie dołączonej do poduszki.

Regulacja stopnia wypełnienia

Rycina i – Quick Installation Guide

Ostrzeżenie! Firma Vicair B.V. zaleca dostosowanie wypełnienia poduszki pod

bezpośrednim nadzorem terapeuty lub doradcy technicznego. Przed przystąpieniem do regulacji stopnia napełnienia, najpierw odepnij pas uprząży Harness base. Instrukcje znajdziesz w rozdziale „Zdejmowanie/wymiana pasa Harness base”.

Warunki użytkowania i przechowywania

Przeostroga! Nie używaj ani nie pozostawiaj produktu w pobliżu otwartego ognia lub źródła ciepła o wysokiej temperaturze.

- **Waga użytkownika:**
Minimalna: 15 kg / 33 lbs,
maksymalna: 100 kg / 220 lbs
- **Temperatura:**
Minimalna: -20 °C / 4 °F,
maksymalna: 55 °C / 131 °F
- **Użytkowanie na dużej wysokości**
Uwaga! Ponieważ każdy wkład SmartCell jest wypełniony powietrzem, poduszka może zachowywać się inaczej, gdy jest użytkowana na dużych wysokościach lub w samolocie. W takich warunkach twardość poduszki można wyregulować poprzez usunięcie kilku wkładów z każdej komory.
- **Wilgotność powietrza:**
Minimalna: 0%, maksymalna 100%

Użytkowanie podczas uprawiania sportów wodnych

Ostrzeżenie! Podczas uprawiania sportów wodnych z poduszką Vicair AllRounder O2, należy nosić kamizelkę ratunkową.

Stosowanie w pojazdach silnikowych

Standardowe poduszki z wózków inwalidzkich mogą sprawić, że system pasów bezpieczeństwa pojazdu nie będzie działał prawidłowo. Poduszkę Vicair AllRounder O2 można stosować jako bezpieczną alternatywę, jeśli podczas transportu potrzebujesz dodatkowej ochrony.

Przetrzepanie poduszki

Vicair B.V. zaleca przetrzepać siedzisko poduszki Vicair AllRounder O2 przed użyciem.

Ponowne wykorzystanie – Przekazanie produktu innemu użytkownikowi

Produkt nadaje się do wielokrotnego użytku. Kwestia, ile razy może zostać wykorzystany, zależy od częstości i sposobu użytkowania. Produkt musi zostać starannie oczyszczony i zdezynfekowany, zanim użyje go inna osoba. Patrz rozdział „Konserwacja i czyszczenie”, gdzie znajdziesz instrukcje.

Uwaga! Upewnij się, że produkt jest prawidłowo wyregulowany dla drugiej osoby.

Zdejmowanie/wymiana pasa Harness base

Rycina i – Quick Installation Guide
Jeśli pas Harness base (lub jeden z pasów) poduszki Vicair AllRounder O2 ulegnie zużyciu, należy wymienić cały pas Harness base. Zamienny pas Harness base można nabyć osobno. Należy także tymczasowo zdemontować pas Harness base w przypadku potrzeby regulacji stopnia wypełnienia.

Aby zdjąć i wymienić pas Harness base, wykonaj następujące czynności. Instrukcje odpowiadają rysunkowi i (I, II i III) w skróconej instrukcji instalacji.

- Całkowicie rozepnij zamek błyskawiczny znajdujący się w dolnej części poduszki, aby odpiąć od niej pas Harness base.
- Aby dostosować stopień wypełnienia, rozepnij zamek błyskawiczny poduszki. Dodaj lub usuń żądaną liczbę wkładów SmartCells z jednej lub większej liczby komór i zapnij zamek błyskawiczny. Uważaj, aby nie uszkodzić komórek SmartCells.
- Przymocuj poduszkę do (zamiennego) pasa Harness base za pomocą zamka błyskawicznego znajdującego się w dolnej części poduszki. Uważaj, aby nie uszkodzić poduszki.

Utylizacja

Utylizacja i recykling zużytych urządzeń i opakowań musi odbywać się zgodnie z obowiązującymi przepisami prawa. Przed przekazaniem do utylizacji produkt należy wyczyścić, aby uniknąć ryzyka zanieczyszczenia.

KONSERWACJA I CZYSZCZENIE

Ostrzeżenie! Raz na trzy miesiące należy sprawdzić produkt pod kątem zużycia i spadku ciśnienia powietrza w wypełnieniu. W przypadku poważnego uszkodzenia lub spadku ciśnienia powietrza w wielu wkładach nie należy więcej korzystać z produktu. Należy skonsultować się ze sprzedawcą.

Przeostroga! Nie czyść produktu parą ani autoklawem. Produkt nie wytrzymuje nadmiernego ciepła ani ciśnienia. Jeśli podane instrukcje dotyczące czyszczenia nie będą przestrzegane, jest bardzo prawdopodobne, że produkt szybciej się „zestarzeje”.

Przeostroga! Do czyszczenia poduszki nie należy używać żrących czy ścierających środków czyszczących ani ostrych przedmiotów.

Przeostroga! Nie umieszczaj górnej części poduszki Vicair O2 przy szklanej powierzchni drzwiczek pralki.

Czyszczenie poduszki Vicair AllRounder O2

Produkt Vicair AllRounder O2 można prać w temperaturze 60°C / 140°F z zastosowaniem cyklu zapobiegającego zagnieceniom i z łagodnym detergentem. Przed praniem zapnij pas biodrowy i pasy na nogi. Przed włożeniem produktu Vicair AllRounder O2 do pralki nie trzeba z niego wyjmować wkładów SmartCells ani odpiąć pasa Harness base. Upewnij się, że grzbiet poduszki nie jest skierowany do drzwiczek pralki. Nie ładuj pralki do więcej niż połowy jej maksymalnej ładowności. Należy zmniejszyć prędkość wirowania. Jeśli korzystasz z pralki z mieszadłem, upewnij się, że poduszka może swobodnie poruszać się wewnątrz bębna.

Nie używaj wybielaczy na bazie chloru i nie pierz poduszki chemicznie! Nie susz produktu Vicair AllRounder O2 w suszarce – pozostaw go do wyschnięcia.



Dezynfekcja poduszki Vicair AllRounder O2

Ostrzeżenie! W przypadku zabrudzenia płynami ustrojowymi lub przekazania produktu innemu użytkownikowi, produkt należy zdezynfekować w celu uniknięcia zanieczyszczenia krzyżowego. Wyczyść poduszkę Vicair AllRounder O2 zgodnie z powyższą instrukcją. Najlepiej użyć detergentu antybakteryjnego. Po wyczyszczeniu spryskaj poduszkę Vicair AllRounder O2 środkiem dezynfekującym. Wywiń komory na zewnątrz, aby upewnić się, że środek dostanie się do wszystkich szczelin.

GWARANCJA

Na stronie www.vicair.com znajdziesz kompletne informacje dotyczące gwarancji, jej zasad i warunków.

Firma Vicair B.V. oferuje ograniczoną gwarancję na wady wykonania i materiałowe, jeżeli produkt był używany prawidłowo. Wszelkie uszkodzenia wynikające z normalnego zużycia, nieprawidłowego użytkowania lub spowodowane przez nieprawidłowe obchodzenie się z produktem, nieprawidłowe czyszczenie lub zaniedbania, są wyłączone z niniejszej gwarancji.

Okres gwarancyjny

Od daty zakupu: 24 miesiące.

Wkłady SmartCells zastosowane w tej poduszce Vicair O2 są objęte dożywotnią gwarancją.

Jeżeli wada materiałowa lub wykonania ujawni się w ciągu powyższego okresu gwarancyjnego, firma Vicair B.V. — według własnego uznania — naprawi lub wymieni produkt bezpłatnie.

Zadośćuczynienie za naruszenie warunków niniejszej gwarancji jest ograniczone do naprawy lub wymiany produktu.

W żadnym wypadku odszkodowanie za naruszenie warunków gwarancji nie obejmuje strat wynikowych i nie może przekroczyć kosztu towarów niezgodnych.

Masz pytania?

Skontaktuj się z firmą Vicair B.V., pisząc na adres info@vicair.com lub z krajowym dystrybutorem Vicair.

尊敬的客户，

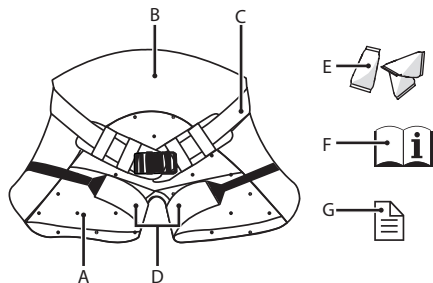
感谢您选择 Vicair® 产品。我们确信您会喜欢这种简单、可靠和难以置信的效果。对于快速安装，可以参阅随坐垫提供的快速安装指南。另外，使用前请阅读并了解本用户手册。保管好快速安装指南和本手册以备将来参考。

更多详细信息或（重新）订购手册，请与贵国的经销商联系。
经销商信息请访问 vicair.com。

介绍

Vicair AllRounder 02 是捆绑在身上的坐垫。它可以为发生压疮的高危人群提供高水准的皮肤保护。这种偶尔使用的坐垫用于在不允许或不要求使用轮椅的情况下提供舒适性并预防压疮。Vicair AllRounder 02 可机洗，不需要取下 Harness base 或 SmartCells!

主要组件



- A. 坐垫
- B. Harness base
- C. 护腰带
- D. 护腿带
- E. SmartCells™，放在 5 个隔层中
- F. 用户手册
- G. 快速安装指南 (Quick Installation Guide)

一般产品规格

产品名称：	Vicair AllRounder 02
制造商：	荷兰 Vicair B.V.
保固：	24 个月
重量：	0.75 公斤 / 1.65 lbs (中码)
可供选择的尺寸：	小、中、大
所用材料：	全部不含乳胶
坐垫：	涤纶网眼织物
坐垫填充物：	采用低摩擦层的充气 SmartCells
Harness base：	聚氨酯涂层的涤纶织物。内置聚氨酯泡沫层，用有弹性的涤纶 3D 网眼编织物包覆。

预防措施和安全说明

Vicair AllRounder 02 只能按照本手册中的说明使用。以任何其他方式使用本产品均视为滥用。Vicair B.V. 对因滥用、不当使用或疏忽而造成的损害不承担责任。确保阅读并完全了解本手册。

警告！ 尾椎骨和髌骨不应触到坐垫底部。第一次使用和调整坐垫填充物后，都应检查是否“触底”。
警告！ 定期检查皮肤是否出现红斑。特别是在第一次使用，皮肤超敏感的人士和/或使用方法比较粗暴。这些都是可能影响皮肤耐受性的因素。如果出现红斑，且在 15 分钟后未消失，请咨询您的治疗师或技术顾问。

警告！ Vicair B.V. 建议在治疗师或技术顾问的直接监督下调整填充等级。

警告！ 护腰带或护腿带不要系得太紧。这可能会导致血流量减少和/或感觉不适。

警告！ 在进行水上运动过程中使用 Vicair AllRounder 02，请穿上救生衣。

警告！ 如果被体液弄脏，以及把本产品让渡给另一使用者时，必须对产品消毒以避免交叉污染。

警告！ 每三个月，请检查本产品是否磨损和气囊泄气。如果出现严重损坏或大量气囊泄气，请不要继续使用本产品，并咨询您的经销商。

注意： 不要让本产品靠近明火或高温热源。

注意： 不要用蒸汽清洁或用高压锅对本产品消

毒。本产品不能承受高温或高压。未遵循所规定的清洁说明时，本产品很可能会加速老化。

注意：不要使用粗糙或磨蚀性清洁剂或者尖锐物体清洁坐垫。

注意：不要将 Vicair 02 坐垫的顶部靠在洗衣机门的玻璃上。

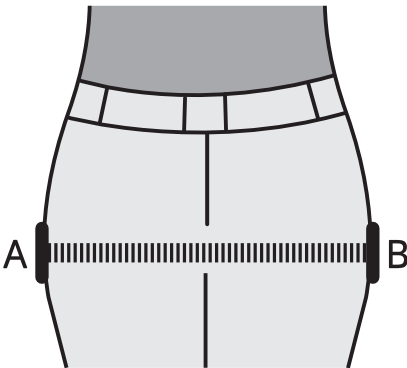
组装

警告！护腰带或护腿带不要系得太紧。这可能会导致血流量减少和/或感觉不适。

检查 Vicair AllRounder 02 的尺寸
测量臀宽，以检查 Vicair AllRounder 02 的尺寸是否与身体的尺寸匹配。坐下后，在大腿最宽处上方水平持握卷尺测量，紧靠臀部前方。不要沿着腿部轮廓，保持卷尺平直。参见图 1。从 A 到 B（或从 B 到 A）测量。

A 到 B 的宽度为：

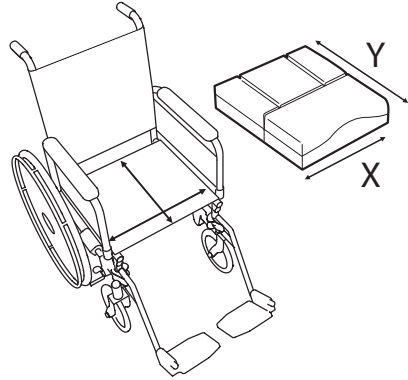
- < 38 厘米 / < 15 英寸 = Vicair AllRounder 02 小码 (S)
- 38 - 42.5 厘米 / 15-16 $\frac{1}{4}$ 英寸 = Vicair AllRounder 02 中码 (M)
- 43 - 48 厘米 / 17 - 19 英寸 = Vicair AllRounder 02 大码 (L)



图片 1

如果不能执行上述测量方法，可以使用轮椅坐垫的尺寸作为参考尺寸。参见图 2 中的 X。测量坐垫宽度或检查坐垫标签以找出坐垫的宽度。
轮椅坐垫宽度为：

- < 40 厘米 / < 16 英寸 = Vicair AllRounder 02 小码 (S)
- 40 - 44.5 厘米 / 16 - 17 $\frac{1}{4}$ 英寸 = Vicair AllRounder 02 中码 (M)
- 45 - 50 厘米 / 18 - 20 英寸 = Vicair AllRounder 02 大码 (L)



图片 2

组装 Vicair AllRounder 02 时执行以下步骤
这些步骤对应于快速安装指南的组装图片 1-5。图 i (I、II 和 III) 显示了如何取下 Harness base 进行更换或坐垫调整（“使用”章节）：

- 将 Vicair AllRounder 02 放置在坚固表面或椅子上。护腰带和护腿带应松开带扣
- 从轮椅转移到 Vicair AllRounder 02，确保您处于良好的位置。
- 合上护腰带。
- 沿着腰部轮廓宽松地收紧护腰带。护腰带的多余部分可以折藏在 Harness base 所附的护腰带夹中。
- 合上护腿带。可以将护腿带末端的卡夹放入 Harness base 卡夹的上部，然后将两者按压在一起，直至锁定。
- 沿着腿部轮廓宽松地收紧护腿带。弹性部分能尽量减少对皮肤和织物的挤压。

检查是否“触底”：

图 6 - Quick Installation Guide

警告！尾椎骨和髌骨不应触到坐垫底部。第一次使用和调整坐垫填充物后，都应检查是否“触底”。

警告！ Vicair B.V. 建议在治疗师或技术顾问的直接监督下调整填充等级。

- 坐在坐垫上约 5 分钟后，检查是否触到底部。
- 身体前倾时，请治疗师或技术顾问将手滑入您的臀部和 Vicair 坐垫之间。
- 要求治疗师或技术顾问检查您的最低骨突处是否至少被 1 层 SmartCells™ 所支撑。这样可防止与 Vicair AllRounder 02 下方的（硬）表面接触。
- 如果臀部触底，请不要使用该坐垫。在多数情况下，调整坐垫隔层的填充等级可解决这个问题。

使用

检查皮肤是否产生红斑

图 7 - Quick Installation Guide

警告！ 定期检查皮肤是否出现红斑。特别是在第一次使用，皮肤超敏感的人士和/或使用方法比较粗暴。这些都是可能影响皮肤耐受性的因素。如果出现红斑，且在 15 分钟后未消失，请咨询您的治疗师或技术顾问。

随时可用

这款 Vicair 产品可直接使用。根据尺寸和型号有各自对应的填充等级。但是如有必要，可以通过增加或减少各隔层内的 SmartCells 来调整填充等级。您可以在附到坐垫上的标签上找到默认填充等级。

调整填充等级

图 i - Quick Installation Guide

警告！ Vicair B.V. 建议在治疗师或技术顾问的直接监督下调整填充等级。要调整填充等级，请先取下 Harness base。有关说明，参见“取下/更换 Harness base”。

使用和存放条件

注意： 不要让本产品靠近明火或高温热源。

- 使用者重量：
最小值：15 千克 / 33 磅，
最大值：100 千克 / 220 磅

- 温度：
最小值：-20 ° C / 4 ° F，
最大值：55 ° C / 131 ° F
- 高海拔地区使用
请注意！ 因为每个 SmartCell 都充满空气，在高海拔地区或飞机上使用时，坐垫的作用可能不一样。在这种情况下，可以从每个隔层中取出几个气囊来调整坚硬度。
- 空气湿度：
最小值：0%，最大值：100%

水上运动中使用

警告！ 在进行水上运动过程中使用 Vicair AllRounder 02，请穿上救生衣。

用于机动车辆

通常的轮椅靠垫会使得车辆的安全带系统不可靠。如果您在驾驶过程中需要额外的保护，Vicair AllRounder 02 可作为一种安全替代产品。

坐垫保持松软

Vicair B.V. 建议在使用之前弄松 Vicair AllRounder 02 的坐垫部分。

再次使用 - 让渡产品给其他使用者

本产品适合重复使用。使用次数取决于使用本产品的频次和方式。另一人使用前，要对本产品彻底清洗并消毒。参见“维护和清洗”一章。请注意！ 确保为另一个正确调整坐垫。

取下/更换 Harness base

图 i - Quick Installation Guide

如果 Vicair AllRounder 02 的 Harness base（或其中一根绑带）磨损，请更换 Harness base。更换用的 Harness base 可以单独购买。当需要调整填充等级时，也可以暂时取下 Harness base。

要取下并更换 Harness base，请执行以下步骤。

这些说明对应于快速安装指南上的图

i (I、II 和 III)。

- 沿坐垫底部完全拉开拉链，将 Harness base 从坐垫上拆下。

- 要调整填充等级，现在可拉开坐垫的拉链。从一个或多个隔层中添加或取出所需数量的 SmartCells 并合上拉链。确保不会损坏 SmartCells。
- 使用沿坐垫底部的拉链将坐垫安装到（更换用的）Harness base 上。确保不会损坏坐垫。

处置

所用设备和包装的处置及回收利用必须遵守适用的法律法规。确保产品在处置之前要清洁，以避免发生任何污染的风险。

维护和清洗

警告！ 每三个月，请检查本产品是否磨损和气囊泄气。如果出现严重损坏或大量气囊泄气，请不要继续使用本产品，并咨询您的经销商。

注意： 不要用蒸汽清洁或用高压锅对本产品消毒。本产品不能承受高温或高压。未遵循所规定的清洁说明时，本产品很可能会加速老化。

注意： 不要使用粗糙或磨蚀性清洁剂或者尖锐物体清洁坐垫。

注意： 不要将 Vicair O2 坐垫的顶部靠在洗衣机门的玻璃上。

清洗 Vicair AllRounder O2

Vicair AllRounder O2 可以在 60° C / 140 ° F 的水温下，使用防皱循环洗涤方式和温和清洁剂进行机洗。洗涤之前合上护腰带和护腿带的带扣。将 Vicair AllRounder O2 放入洗衣机之前，无需取下 SmartCells 或 Harness base。确保坐垫顶部没有靠在洗衣机门的玻璃上。机器负载不要超过最大负载重量的一半。应降低旋转速度。使用搅拌式洗衣机时，请确保坐垫可以在滚筒内自由移动。不要使用任何含氯漂白剂和干洗！不要用烘干机烘干 Vicair AllRounder O2，而是自然晾干。



对 Vicair AllRounder O2

警告！ 如果被体液弄脏，以及把本产品让渡给另一使用者时，必须对产品消毒以避免交叉污染。按照上述说明清洁 Vicair AllRounder O2。最好使用抗菌剂。清洁后用消毒剂喷涂 Vicair AllRounder O2。翻出隔层，确保喷雾能进入缝隙。

保固

有关保固流程、条款与条件的完整信息，请访问 www.vicair.com。

在产品正常使用下，Vicair B.V. 对工艺和材料缺陷提供有限保固。正常磨损和因不正常使用、不当处理、清洗或疏忽造成任何损坏，则不在本保固范围内。

保固期

自原始购买之日起：24 个月。

这款 Vicair O2 坐垫中的 SmartCells 具有终身保固期。

在上述保固期内出现材料或工艺缺陷，Vicair B.V. 将自行选择免费维修还是更换产品。

违反此处明示保固条款的补救措施仅限于维修或更换产品。

在任何情况下，违反任何保固条款所造成的损坏均不应包括间接损坏或超出不合格商品销售的费用。

有问题吗？

发电子邮件至 info@vicair.com 联系 Vicair B.V. 或联系贵国的 Vicair 分销商。

お客様へ

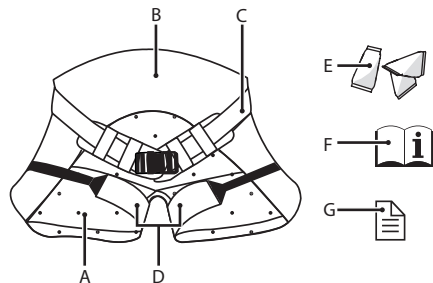
Vicair® 製品をお買い上げいただき、ありがとうございます。このシンプルで信頼性の高い、すばらしい効果をお楽しみいただけることと存じます。クッションに同封されている「クイックインストールガイド」をご利用になると、迅速に設置できます。さらに、お使いになる前に本ユーザーマニュアルをよく読んで、ご理解いただくようお願いいたします。将来参照できるよう、「クイックインストールガイド」と本ユーザーマニュアルの両方を保管してください。

詳細またはマニュアルの再注文に関しては、お住まいの国の販売業者にお問い合わせください。

販売業者情報は、vicair.com にてご覧になれます。

紹介

Vicair AllRounder 02は身体に固定させるクッションです。褥瘡ができる可能性が高い方の皮膚を高レベルで守ります。本クッションを時折、使用することで、車いすを使えない状況や車いすの使用を必要としない状況で、快適さを提供し、褥瘡を防ぐことができます。Vicair AllRounder 02はHarness base (装着ベース) のSmartCellsを外さなくても洗濯機で洗うことができます。



- A. クッション
- B. Harness base (装着ベース)
- C. ウエストストラップ
- D. レッグストラップ
- E. SmartCells™ (5個のコンポーネントに設置)
- F. ユーザーマニュアル
- G. クイックインストールガイド (Quick Installation Guide)

一般的な製品の仕様

製品名:	Vicair AllRounder 02
製造業者:	Vicair B.V. (オランダ)
保証:	24ヶ月間
重量:	0.75 kg / 1.65 lbs (Mサイズ)
ご利用可能なサイズ:	S、M、L
使用材料:	ラテックス不使用
クッション:	ポリエステルメッシュ織物
クッション中材:	低反発素材のコーティングを施したエア充填式 SmartCells (スマートセル)
Harness base (装着ベース):	ポリウレタンコーティングナイロン生地。内側はポリウレタンフォーム層で、外側はニット弾性ポリエステル3Dメッシュ生地で覆われています。

注意と安全のための指示

Vicair AllRounder 02は本マニュアルに記載されている方法でご使用ください。本製品を意図されている以外のいずれかの方法で使用することは、誤用とされます。Vicair B.V.は、誤用や不適切な取り扱い、または過失によって引き起こされた損傷の責任は負いかねます。本マニュアルを完全に読んで理解していただくようお願いいたします。

警告! 尾てい骨と骨盤の骨がクッションの底部に触れないようにしてください。「ボトムアウト」のチェックは、最初の使用時にクッションのフィルターを調整した後に行います。

警告! 肌に発赤がないか、定期的にご確認ください。特に初めてご使用いただく場合や、肌が特別に敏感な方、あるいは特別に雑に使用された場合は気を付けてください。皮膚の耐性に影響する要因にはあらゆるものがあります。発赤が起こり、15分経っても消えない場合には、医療従事者または技術アドバイザーにご相談ください。

警告! Vicair B.V.は、フィルターのレベル調整は医療従事者または技術アドバイザーによる直接の監督の下で行うことを推奨します。

警告! ウエストストラップやレッグストラップをきつく締めないでください。これによって血流が減ったり、不快感を抱いたりする場合があります。

警告! Vicair AllRounder 02を使用してウォータースポーツをするときは、ライフジャケットも着用してください。

警告! 体液で汚してしまった場合、また製品を別のユーザーに譲る場合、製品は交差汚染を避けるため、消毒される必要があります。

警告! 消耗や潰れたセルがないか、3か月ごとに製品を確認してください。大きなダメージがある場合、または多数の潰れているセルがある場合、製品使用を継続しないでください。販売業者にご連絡ください。

注意! 製品は、炎や高温の熱源の傍で使用したり放置したりしないでください。

注意! 製品を（消毒のために）蒸気消毒したり

高圧処理したりしないでください。製品は、過度の熱や圧力に耐えられません。指示されている洗濯方法に従わない場合、劣化が加速する可能性があります。非常に高くなります。

注意! クッションを洗濯する際には、強いクレンザーや研磨剤入りのクレンザー、または鋭利な物質を使用しないでください。

注意! Vicair 02 クッションの上側を洗たく機のドアのガラスに直接置かないでください

設置

警告! ウエストストラップやレッグストラップをきつく締めないでください。これによって血流が減ったり、不快感を抱いたりする場合があります。

Vicair AllRounder 02のサイズ確認

Vicair AllRounder 02のサイズが身体のサイズに合うかどうかを確認するために、ヒップの幅を測定します。座った状態で、ヒップの前の大腿部の一番広い部分の上でメジャーを水平に持ちます。足の輪郭に沿うのではなく、まっすぐに測定します。図1を参照してください。AからB（またはBからA）を測定します。

AからBまでの幅：

- ・ < 38 cm / < 15 inch = Vicair AllRounder 02 Sサイズ（スモール）
- ・ 38 ~ 42.5 cm / 15 ~ 16¾ inch = Vicair AllRounder 02 Mサイズ（ミディアム）
- ・ 43 ~ 48 cm / 17 ~ 19 inch = Vicair AllRounder 02 Lサイズ（ラージ）

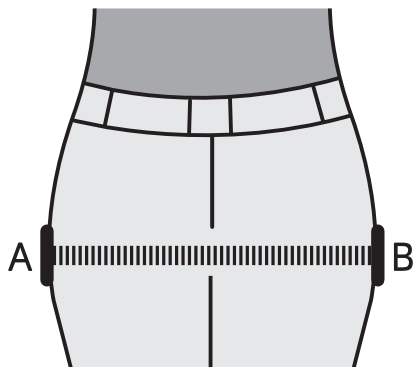


図1

上記の測定方法で測定できない場合は、ご使用の車いす用クッションのサイズをサイズの基準として使用できます。図2のXを参照してください。クッションの幅を測定するか、クッションの表示ラベルでクッションの幅を確認します。

車いす用クッションの幅：

- ・ < 40 cm / < 16 inch = Vicair AllRounder 02 Sサイズ (スモール)
- ・ 40 ~ 44.5 cm / 16 ~ 17 $\frac{1}{4}$ inch = Vicair AllRounder 02 Mサイズ (ミディアム)
- ・ 45 ~ 50 cm / 18 ~ 20 inch = Vicair AllRounder 02 Lサイズ (ラージ)

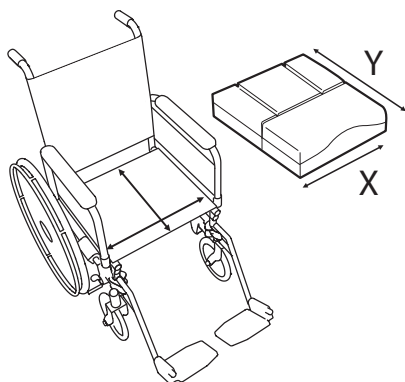


図2

Vicair AllRounder 02 を設置する際には、以下のステップを行ってください

これからステップは、クイックインストールガイドのインストールのイラスト1~5に対応します。イラスト i (I、II & III) はクッションを交換・調節するときのHarness base (装着ベース) の外し方を示しています。

- ・ 椅子などの表面が固い面でVicair AllRounder 02を取り付けてください。ウエストストラップやレッグストラップのバックルを外します。
- ・ 車いすからVicair AllRounder 02に移動して、良い位置にいることを確認します。
- ・ ウエストストラップを閉めます。
- ・ ウエストの輪郭にゆったりと合うようにして、ウエストストラップを締めます。余分なウエストストラップはHarness base (装着ベース) にあるウエストストラップホルダーに入れます。
- ・ レッグストラップを閉めます。Harness base (装着ベース) 上にある留め具の上のレッグストラップの端の留め具を取り付け、ロックするまでこの2つを押します。
- ・ 足の輪郭にゆったりと合うようにして、2つのレッグストラップを締めます。弾性部分が皮膚や組織への圧迫を最小限に抑えます。

「ボトムアウト」をチェックしてください：

イラスト6 - Quick Installation Guide

警告！ 尾てい骨と骨盤の骨がクッションの底部に触れないようにしてください。「ボトムアウト」のチェックは、最初の使用時にクッションのフィラーを調整した後に行います。

警告！ Vicair B. V. は、フィラーのレベル調整は医療従事者または技術アドバイザーによる直接の監督の下で行うことを推奨します。

- ・ クッションの上におよそ5分間腰かけ、「ボトムアウト」 (=平たくなりすぎていないか) がないか確認します。

- ・ 医療従事者または技術アドバイザーに、前屈みの体勢であなたの臀部と Vicair クッションのあいだに手を入れてもらいます。
- ・ 医療従事者または技術アドバイザーに、一番下の骨ばった隆起部分が、SmartCells™の1層以上でサポートされているかを確認してもらいます。これによって、Vicair AllRounder 02の下にある（硬）表面が触れることはありません。
- ・ 「ボトムアウト」が起こる場合には、クッションは使用しないでください。ほとんどの場合、クッションの詰め具合を調整すると、問題は解決します。

使用

皮膚の発赤がないか確認してください

イラスト7 - Quick Installation Guide

警告! 肌に発赤がないか、定期的にご確認ください。特に初めてご使用いただく場合や、肌が特別に敏感な方、あるいは特別に雑に使用された場合は気を付けてください。皮膚の耐性に影響する要因にはあらゆるものがあります。発赤が起こり、15分経っても消えない場合には、医療従事者または技術アドバイザーにご相談ください。

使用準備完了

本Vicair製品はすぐに使用できる状態になっています。サイズやモデルごとに独自のフィルターレベルを持ちます。但し、必要に応じて各コンパートメントのSmartCellsを増減させることで、詰め具合は調整可能です。初期設定のフィルターレベルは、クッションのラベルに記載されています。

フィルターのレベルの調整

イラスト1 - Quick Installation Guide

警告! Vicair B.V. では、詰め具合の調整は医療従事者または技術アドバイザーの直接の監督の下で行うことを推奨します。詰め具合を調整

する場合はまず、Harness base（装着ベース）を取り外します。Harness base（装着ベース）の取り外し/交換方に関する指示を参照してください。

使用と保管の条件

注意! 製品は、炎や高温の熱源の傍で使用したり放置したりしないでください。

- ・ ユーザーの重量：
 - 最低: 15 kg / 33 lbs、
 - 最大: 100 kg / 220 lbs
- ・ 温度：
 - 最低: -20 ° C / 4 ° F、
 - 最大: 55 ° C / 131 ° F
- ・ 高所での使用

注記! 各 SmartCell にはエアールが充填されているため、クッションは高所や機内で使用される際には異なる反応を示す場合があります。このような状況では、各コンパートメントから2、3セルを取り外すことによって、クッションの硬さを調整できます。
- ・ 大気湿度：
 - 最低: 0%、最大: 100%

ウォータースポーツ中の使用

警告! Vicair AllRounder 02を使用してウォータースポーツをするときは、ライフジャケットも着用してください。

車両内での使用

通常の車いす用クッションは車両のシートベルトシステムを信頼できなくします。Vicair AllRounder 02は、乗車中の保護強化が必要なときに、安全に代わるものとしてご利用いただけます。

クッションの膨らみ

Vicair B.V. は、ご利用いただく前に、Vicair AllRounder 02のクッション部分を膨らましてご利用いただくことをお勧めします。

再利用 - 製品を別のユーザーに譲る場合

製品は繰り返し使用することができます。使用回数は製品をどのように使用したかとその頻度によって異なります。別のひとがご使用になる前に、製品はよく洗濯し、消毒しなければなりません。「お手入れと洗濯」の章にある指示をご覧ください。

注意! 新しく使う人に合わせて、製品が正しく調整されていることを確認してください。

Harness base (装着ベース) の取り外し/交換イラスト - Quick Installation Guide

Vicair AllRounder 02のHarness base (装着ベース) が摩耗した場合は、Harness base (装着ベース) を交換してください。Harness base (装着ベース) の交換用は別途購入できます。詰め具合を調整する必要がある場合も、Harness base (装着ベース) を一時的に取り外す必要があります。

Harness base (装着ベース) を取り外したり交換したりする場合は、次のステップに従います。これらステップは、クイックインストールガイドのイラスト i (I, II および III) に対応しています。

- ・ クッションの底面にあるファスナーを全部開き、Harness base (装着ベース) をクッションから取り外します。
- ・ 詰め具合を調整するには、クッションのファスナーを開きます。コンパートメントからご希望のSmartCellsの数を増減し、ファスナーを閉めます。SmartCellsにダメージを与えないようにご注意ください。
- ・ クッションの下にあるファスナーを開けて、(交換用) Harness base (装着ベース) にクッションを取り付けます。クッションにダメージを与えないようにご注意ください。

廃棄

使用した装置や梱包材料を廃棄したり再生利用する場合は、適用法規制を必ず、順守してください。汚染の危険を避けるために、製品を洗濯してから廃棄してください。

お手入れと洗濯

警告! 消耗や潰れたセルがないか、3か月ごとに製品を確認してください。大きなダメージがある場合、または多数の潰れているセルがある場合、製品使用を継続しないでください。販売業者にご連絡ください。

注意! 製品を(消毒のために)蒸気消毒したり高圧処理したりしないでください。製品は、過度の熱や圧力に耐えられません。指示されている洗濯方法に従わない場合、劣化が加速する可能性が非常に高くなります。

注意! クッションを洗濯する際には、強いクレンザーや研磨剤入りのクレンザー、または鋭利な物質を使用しないでください。

注意! Vicair 02 クッションの上側を洗たく機のドアのガラスに直接置かないでください

Vicair AllRounder 02の洗濯

Vicair AllRounder 02 は60° C (140 ° F) のお湯で、洗濯機のシワ防止サイクル、中性洗剤を使って洗濯できます。ウエストストラップやレッグストラップを閉じてから洗濯します。Vicair AllRounder 02を洗濯機に入れる前に、SmartCellsまたはHarness base (装着ベース) を取り外す必要はありません。クッションの上側は洗たく機のドアのガラス部分に直接置かないでください。洗濯機には最大容量の半分以上を入れしないでください。回転速度は低速にしてください。攪拌式の洗濯機を使うときは、クッションがドラム内で自由に移動できるようにしてください。塩素系漂白剤は使用しないでください! また、ドライクリーニングも行わないでください! Vicair AllRounder 02は乾燥機を使わずに、空気乾燥してください。



Vicair AllRounder 02の消毒

警告! 体液で汚してしまった場合、また製品を別のユーザーに譲る場合、製品は交差汚染を避けるため、消毒される必要があります。上記の指示に従って、Vicair AllRounder 02を洗浄してください。できれば抗菌性の洗剤を使用してください。洗浄した後、Vicair AllRounder 02に消毒用スプレーをかけてください。コンパートメントを外側に曲げ、隙間にも必ずスプレーが入るようにしてください。

保証

保証手続きや諸条件についての詳細は、www.vicair.com を参照してください。

Vicair B.V. は、製品が正常に使用されていたことを条件に、製造上や素材の欠陥があった場合、限定保証を提供しています。通常の摩耗および破れ、乱用による損傷、あるいは不適切な取り扱いや洗たく、過失によって生じたいかなるダメージは、この保証から除外されます。

保証期間

元の購入日から:24 ヶ月間。

このVicair 02 クッションのSmartCellsには生涯保証が付いています。

上記保証期間中に製品の材料または製造に欠陥が生じた場合、Vicair B.V. は独自の裁量において、その製品を無料で修理または交換します。

ここに明示されている保証違反は、製品の修理または交換に制限されています。

いかなる場合においても、当社は派生的損害を含む本製品の保証違反によって生じる損害に対しては責任を負いません。また、規格に適合しない製品でも保証は販売価格を超えることはありません。

ご質問がありますか?

Vicair B.V. までの info@vicair.com お問い合わせいただくか、お住まいの国の Vicair の販売業者までお問い合わせください。



Vicair B.V.

Bruynvisweg 5
1531 AX Wormer
The Netherlands

info@vicair.com
www.vicair.com

