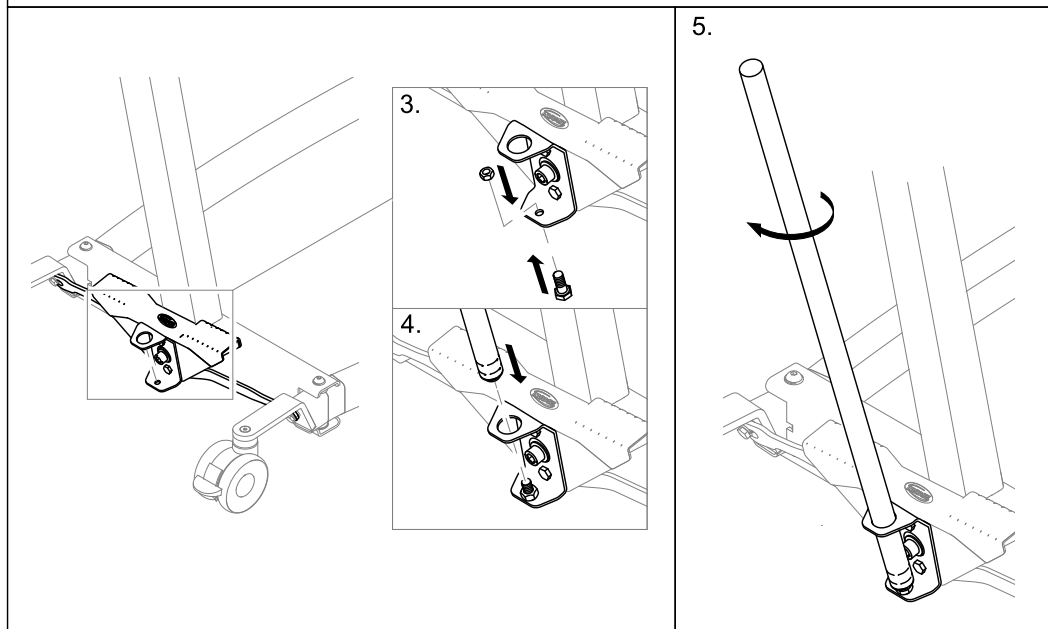
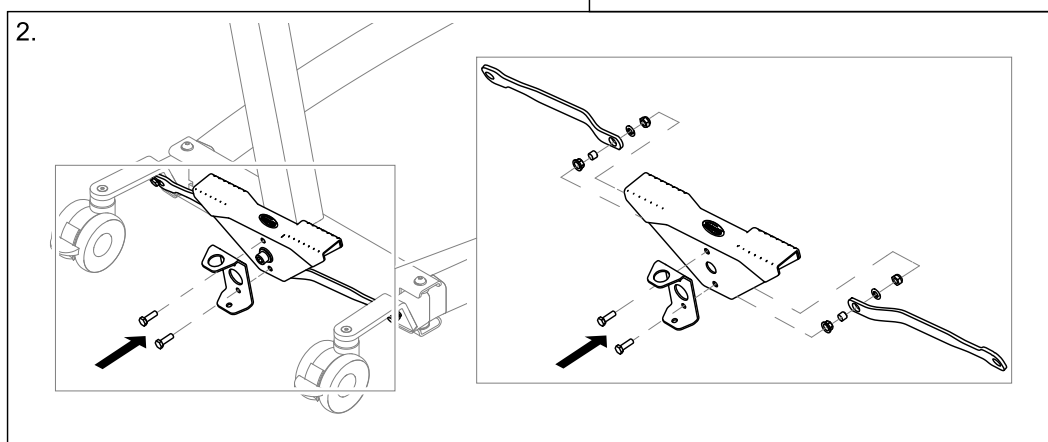
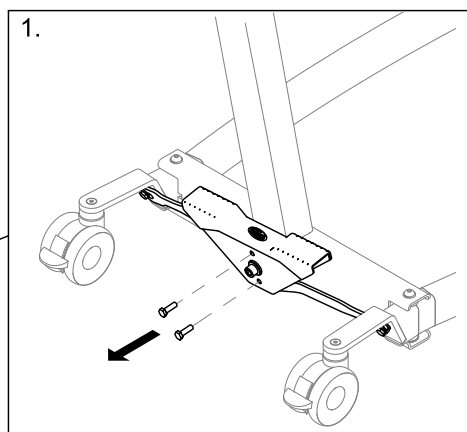
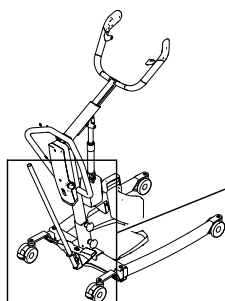
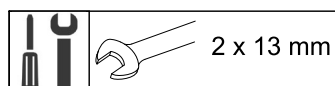


## Installing the lever for manual leg spreader



This instruction is an extract from the service manual. The service manual is available in other languages and can be downloaded from the Invacare website. For more information contact the Invacare representative in your country.



Invacare Portugal, Lda  
Rua Estrada Velha 949  
4465-784 Leça do Balio  
Portugal

