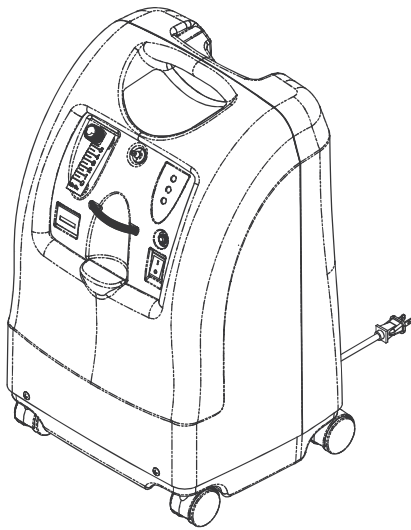




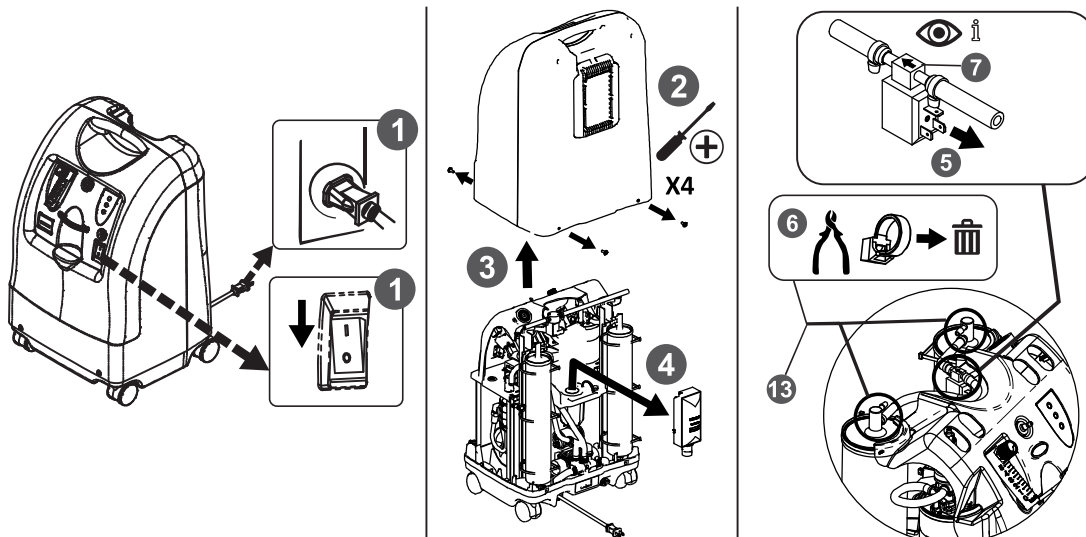
# Replacing P.E. Valve

IRC5PO2V, IRC5PO2VAW

en - Service Manual ..... 2



REF	SN	P.E. Valve part numbers	
		OLD	NEW
IRC5PO2V	14HF039890-18JF00741	 <p>5286EN3,0S A53</p>	 <p>5286EN30S23A53</p>
IRC5PO2VC	14IF004028-18JF028634		
IRC5PO2VAW	17HF030338-18IF018523		
IRC5PO2VAWL2	18BF007341-18IF024452		
IRC5PO2VAWL3	17JF002563-19AF008560		
IRC5PO2VAWL4	N/A		
IRC5PO2VAWL5	18EF003466-18EF003545		





PROVIDER: Keep this manual.

## 1.1 Description

This instruction is for replacing the P.E. Valve assembly using Kit PN 60127443 for the models listed below with serial numbers that fall within the listed ranges. The replacement P.E. valve assembly has changed the P.E. valve part number 5286EN3,0S A53 to the replacement part number 5286EN30S23A53. The manufacture part number is located on the component as shown.

## 1.2 Symbols

Signal words are used in this manual and apply to hazards or unsafe practices which could result in personal injury or property damage. See the information below for definitions of the signal words.



### DANGER!

-Danger indicates an imminently hazardous situation which, if not avoided, will result in death or serious injury.



### WARNING!

-Warning indicates a potentially hazardous situation which, if not avoided, could result in death or serious injury.



### CAUTION!

-Caution indicates a potentially hazardous situation which, if not avoided, may result in property damage or minor injury or both.



Gives useful tips, recommendations and information for efficient, trouble-free use.

## 1.3 General Guidelines

In order to ensure the safe installation, assembly and operation of the concentrator these instructions MUST be followed.



### DANGER!

#### Risk of Death, Injury or Damage from Fire

Textiles, oil or petroleum substances, grease, greasy substances and other combustibles are easily ignited and burn with great intensity in oxygen enriched air and when in contact with oxygen under pressure.

Smoking during oxygen therapy is dangerous and is likely to result in burns or death. To avoid fire, death, injury or damage:

- DO NOT SMOKE while using this device.
- DO NOT use near OPEN FLAME or IGNITION SOURCES.
- NO SMOKING signs should be prominently displayed.
- Keep all open flames, matches, lighted cigarettes, electronic cigarettes or other sources of ignition at least 10 ft (3 m) away from this concentrator or any oxygen carrying accessories such as cannulas or tanks.
- Avoid creation of any spark near oxygen equipment. This includes sparks from static electricity created by any type of friction.



### DANGER!

#### Risk of Death, Injury, from Electric Shock

To reduce the risk of burns, electrocution, death or injury to persons:

- DO NOT use frayed or damaged AC power cords.



### WARNING!

#### Risk of Injury or Damage

To prevent injury or damage from cord misuse:

- DO NOT move or relocate concentrator by pulling on the cord.
- DO NOT use extension cords with AC power cords provided.

## 1.4 Replacing P. E. Valve



### DANGER!

#### Risk of Death, Injury, or Damage

To prevent electrical shock

- ALWAYS disconnect concentrator from electrical outlet before servicing.

1. Turn power Off (O) and unplug the unit.
2. Remove the four mounting screws that secure cabinet assembly to the base assembly.
3. Lift the cabinet straight up.
4. Grasp the compressor inlet HEPA filter, pull upward and out until filter is dislodged from rubber base.
5. Remove spade connectors (not shown) from P. E. valve terminals.
6. Remove tie-wraps from P. E. valve tubing.

7. Remove P. E. valve assembly.

**CAUTION!**

-If P. E. valve is not to be installed IMMEDIATELY, plug the sieve bed fittings to prevent sieve bed contamination.



To ensure proper orientation on the rectangular shape PE valve, the FLOW arrow should face to the left side sieve bed when viewing from behind the unit.

8. Install new P. E. valve assembly IMMEDIATELY, by reversing STEPS 5-7 and secure at sieve cap fittings with tie wraps.

**CAUTION!**

-Ensure the restrictor is on the product tank side of the concentrator.

9. Install compressor inlet filter by inserting the filter into the rubber base.
10. Push the filter down until the rubber base touches the edge of the filter.
11. Install cabinet, reverse STEPS 2-3.
12. Plug in unit.
13. Turn the concentrator On (I).
14. Verify the oxygen concentration output of the unit is within specification (green light illuminates on the control panel - may need to run for up to 30 minutes). If the oxygen output concentration is not within specification, return the unit for repair.

© 2020 Invacare Corporation

All rights reserved. Republication, duplication or modification in whole or in part is prohibited without prior written permission from Invacare. Trademarks are identified by ™ and ®. All trademarks are owned by or licensed to Invacare Corporation or its subsidiaries unless otherwise noted.

Invacare reserves the right to alter product specifications without further notice.

Making Life's Experiences Possible is a registered trademark in the U.S.A.

## Invacare Corporation

<b>USA</b>	One Invacare Way, Elyria, OH 44035, USA • 800-333-6900 • www.invacare.com
<b>Canada</b>	570 Matheson Blvd E Unit 8, Mississauga, Ontario, L4Z 4G4 Canada • 800-668-5324 • www.invacare.ca
<b>Belgium &amp; Luxembourg:</b>	Invacare nv, Autobaan 22, B-8210 Loppem • Tel: (32) (0) 50 83 10 10 • Fax: (32) (0) 50 83 10 11 • belgium@invacare.com • www.invacare.be
<b>Danmark:</b>	Invacare A/S, Sdr. Ringvej 37, DK-2605 Brøndby • Tel: (45) (0)36 90 00 00 • Fax: (45) (0)36 90 00 01 • denmark@invacare.com • www.invacare.dk
<b>Deutschland:</b>	Invacare GmbH, Alemannenstraße 10, D-88316 Isny • Tel: (49) (0)75 62 7 00 0 • Fax: (49) (0)75 62 7 00 66 • kontakt@invacare.com • www.invacare.de
<b>Eastern Europe, Middle East &amp; CIS:</b>	Invacare EU Export • Kleiststraße 49 • D-32457 Porta Westfalica • Germany • Tel: (49) 5731 754540 • Fax: (49) 5731 754541 • webinfo-eu-export@invacare.com • www.invacare-eu-export.com
<b>España:</b>	Invacare SA, c/Areny s/n, Polígon Industrial de Celrà, E-17460 Celrà (Girona) • Tel: (34) (0)972 49 32 00 • Fax: (34) (0)972 49 32 20 • contactsp@invacare.com • www.invacare.es
<b>France:</b>	Invacare Poirier SAS, Route de St Roch, F-37230 Fondettes • Tel: (33) (0)2 47 62 64 66 • Fax: (33) (0)2 47 42 12 24 • contactfr@invacare.com • www.invacare.fr
<b>Ireland:</b>	Invacare Ireland Ltd, Unit 5 Seatown Business Campus • Seatown Road, Swords, County Dublin – Ireland • Tel: (353) 1 810 7084 • Fax: (353) 1 810 7085 • ireland@invacare.com • www.invacare.ie
<b>Italia:</b>	Invacare Mecc San s.r.l., Via dei Pini 62, I-36016 Thiene (VI) • Tel: (39) 0445 38 00 59 • Fax: (39) 0445 38 00 34 • italia@invacare.com • www.invacare.it
<b>Nederland:</b>	Invacare BV, Galvanistraat 14–3, NL–6716 AE Ede • Tel: (31) (0)318 695 757 • Fax: (31) (0)318 695 758 • nederland@invacare.com • csede@invacare.com • www.invacare.nl
<b>Norge:</b>	Invacare AS, Grensesvingen 9, Postboks 6230, Etterstad, N-0603 Oslo • Tel: (47) (0)22 57 95 00 • Fax: (47) (0)22 57 95 01 • norway@invacare.com • island@invacare.com • www.invacare.no
<b>Österreich:</b>	Invacare Austria GmbH, Herzog Odilostrasse 101, A-5310 Mondsee • Tel: (43) 6232 5535 0 • Fax: (43) 6232 5535 4 • info@invacare-austria.com • www.invacare.at
<b>Portugal:</b>	Invacare Lda • Rua Estrada Velha, 949, P-4465-784 Leça do Balio • Tel: (351) (0)225 1059 46/47 • Fax: (351) (0)225 1057 39 • portugal@invacare.com • www.invacare.pt
<b>Sverige:</b>	Invacare AB • Fagerstagatan 9 • S-163 53 Spånga • Tel: (46) (0)8 761 70 90 • Fax: (46) (0)8 761 81 08 • sweden@invacare.com • www.invacare.se
<b>Suomi:</b>	Camp Mobility • Patamäenkatu 5, 33900 Tampere • Tel: 09-350 76 310 • info@campmobility.fi • www.campmobility.fi
<b>Schweiz/Suisse/Svizzera:</b>	Invacare AG • Benkenstrasse 260 • CH-4108 Witterswil • Tel.: (41) (0)61 487 70 80 • Fax.: (41) (0)61 487 70 81 • switzerland@invacare.com • www.invacare.ch
<b>United Kingdom:</b>	Invacare Limited, Pencoed Technology Park, Pencoed, Bridgend CF35 5HZ • Tel: (44) (0) 1656 776222 • Fax: (44) (0) 1656 776220 • UK@invacare.com • www.invacare.co.uk

## Manufacturer



Invacare Corporation • One Invacare Way • Elyria, OH 44035, USA



Invacare GmbH • Am Achener Hof 8 • 88316 Isny • Germany



60127444-B  
2020-12-08



Making Life's Experiences Possible®



Yes, you can.