

Aquatec® Ocean Ergo / Ocean Ergo XL / Aquatec® Ocean 24" Ergo / Ocean 24" Ergo XL

en Shower and Toilet Chair
User Manual



This manual **MUST** be given to the user of the product.
BEFORE using this product, this manual **MUST** be read and saved for future reference.

AQUATEC®



Yes, you can.®

© 2023 Invacare Corporation

All rights reserved. Reproduction, duplication or modification in whole or in part is prohibited without prior written permission from Invacare. Trademarks are identified by ™ and ®. All trademarks are owned by or licensed to Invacare Corporation or its subsidiaries unless otherwise noted.

Contents

1 General	4
1.1 Introduction	4
1.2 Symbols in this Document	4
1.3 Warranty Information	5
1.4 Compliance	5
1.4.1 Product-specific Standards	5
1.5 Service Life	5
2 Safety	6
2.1 Safety Information	6
2.2 Labels and Symbols on the Product	7
3 Product Overview	9
3.1 Intended Use	9
3.2 Main Parts of the Product	9
4 Setup	11
4.1 Safety Information	11
4.2 Assembling the Product	11
4.2.1 Installing the Seat Frame Tube for Height Adjustment	11
4.2.2 Installing the Backrest	14
4.2.3 Installing and Removing the Seat Plate	15
4.2.4 Setting Armrest Height	15
4.2.5 Installing the Footrests	16
4.3 Assembling Accessories and Options	17
4.3.1 Installing/Removing Self-Propelling Wheels	17
4.3.2 Fitting/Removing the Toilet Pan Holder and Toilet Pan	18
5 Usage	19
5.1 Safety Information	19
5.2 Turning Armrests	20
5.3 Swivelling the Footrests	20

5.4 Engaging/Disengaging the Castor Locks	21
5.5 Engaging/Disengaging the Parking Brakes	21
6 Transport	22
6.1 Safety Information	22
7 Maintenance	23
7.1 Maintenance and Inspection	23
7.2 Cleaning and Disinfection	23
7.2.1 General Safety Information	23
7.2.2 Cleaning Intervals	24
7.2.3 Cleaning Instructions	24
7.2.4 Disinfection Instructions	25
8 After Use	26
8.1 Storage	26
8.2 Reconditioning	26
8.3 Disposal	26
9 Troubleshooting	27
9.1 Identifying and Repairing Faults	27
10 Technical Data	28
10.1 Dimensions and Weight	28
10.2 Materials	30
10.3 Environmental Parameters	30

1 General

1.1 Introduction

This user manual contains important information about the handling of the product. To ensure safety when using the product, read the user manual carefully and follow the safety instructions.

Only use this product if you have read and understood this manual. Seek additional advice from a healthcare professional who is familiar with your medical condition and clarify any questions regarding the correct use and necessary adjustment with the healthcare professional.

Note that there may be sections in this document, which are not relevant to your product, since this document applies to all available models (on the date of printing). If not otherwise stated, each section in this document refers to all models of the product.

The models and configurations available in your country can be found in the country-specific sales documents.

Invacare reserves the right to alter product specifications without further notice.

Before reading this document, make sure you have the latest version. You find the latest version as a PDF on the Invacare website.

If you find that the font size in the printed document is difficult to read, you can download the PDF version from the website. The PDF can then be scaled on screen to a font size that is more comfortable for you.

For more information about the product, for example product safety notices and product recalls, contact your Invacare distributor. See addresses at the end of this document.

In case of a serious incident with the product, you should inform the manufacturer and the competent authority in your country.

1.2 Symbols in this Document

Symbols and signal words are used in this document and apply to hazards or unsafe practices which could result in personal injury or property damage. See the information below for definitions of the signal words.



WARNING

Indicates a hazardous situation that could result in serious injury or death if it is not avoided.



CAUTION

Indicates a hazardous situation that could result in minor or slight injury if it is not avoided.



NOTICE

Indicates a hazardous situation that could result in damage to property if it is not avoided.



Tips and Recommendations

Gives useful tips, recommendations and information for efficient, trouble-free use.

Other Symbols

(Not applicable for all manuals)



UK Responsible Person

Indicates if a product is not manufactured in the UK.



Triman

Indicates recycling and sorting rules (only relevant for France).

1.3 Warranty Information

We provide a manufacturer's warranty for the product in accordance with our General Terms and Conditions of Business in the respective countries.

Warranty claims can only be made through the provider from whom the product was obtained.

1.4 Compliance

Quality is fundamental to the company's operation, working within the disciplines of ISO 13485.

This product features the CE mark, in compliance with the Medical Device Regulation 2017/745 Class I.

This product features the UKCA mark, in compliance with Part II UK MDR 2002 (as amended) Class I.

We are continuously working towards ensuring that the company's impact on the environment, locally and globally, is reduced to a minimum.

We only use REACH compliant materials and components.

1.4.1 Product-specific Standards

The product has been tested and conforms to the standard ISO 17966 (Assistive products for personal hygiene that

1652072-A

support users) and related standards. This includes testing concerning flammability. Progressive smouldering ignition and flaming ignition do not occur.

For further information about local standards and regulations, contact your local Invacare representative. See addresses at the end of this document.

1.5 Service Life

The expected service life of this product is five years when used daily and in accordance with the safety instructions, maintenance intervals and correct use, stated in this manual. The effective service life can vary according to frequency and intensity of use.

2 Safety

2.1 Safety Information



WARNING!

Risk of Serious Injury or Damage

Improper use of this product may cause injury or damage.

- If you are unable to understand the warnings, cautions or instructions, contact a health care professional or provider before attempting to use this equipment.
- Do not use this product or any available optional equipment without first completely reading and understanding these instructions and any additional instructional material such as user manual, service manual or instruction sheet supplied with this product or optional equipment.



WARNING!

Risk of Injury

- Before every use, check the product for damage and ensure that it is securely assembled.
- Before first use, clean the product thoroughly.



WARNING!

Risk of Injury

Improper use of this product may cause injury or damage.

- Do not use if defective.
- In the event of a malfunction, contact your provider immediately.
- Do not make any unauthorised changes or alterations to the product.
- Only use accessories / options intended for this product.



WARNING!

Risk of Injury

Improper use of this product may cause injury or damage.

- Do not lift the product when under load.
- Do not stand on the product.



CAUTION!

Risk of Injury

Non-original or wrong parts may affect the function and safety of the product.

- Only use original parts for the product in use.
- Due to regional differences, refer to your local Invacare catalogue or website for available options or contact your Invacare distributor. See addresses at the end of this document.



NOTICE!

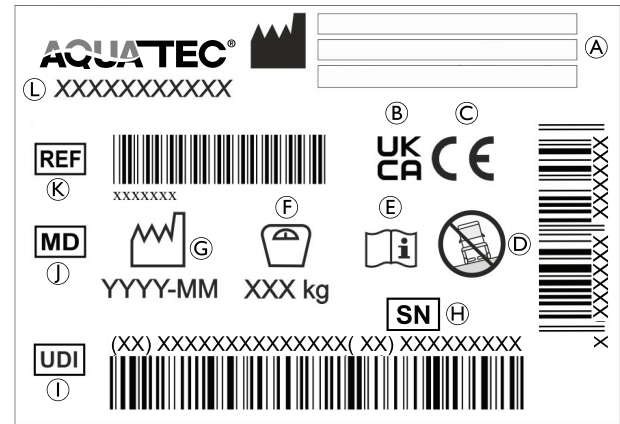
When combining this product with another product, the restrictions of both products apply for the combination. E.g. the maximum user weight of one product in the combination may be lower.

- Only use combinations allowed by Invacare. Contact your Invacare distributor for information.
- Before use, read the user manual of each product and check the restrictions. The full compliance with the information, instructions and recommendations contained in both user manuals is necessary for a safe use.

2.2 Labels and Symbols on the Product


Identification Label

The identification label contains important information:




(A)	Manufacturer address
(B)	UK Conformity Assessed
(C)	European Conformity
(D)	For use on level ground only
(E)	Read user manual
(F)	Maximum user weight
(G)	Date of manufacture
(H)	Serial number
(I)	Unique Device Identifier
(J)	Medical device

Ⓚ	Reference number
Ⓛ	Product designation

 The identification label is attached to the inside of the left side part.

Labels on the Product

The following label is attached to the handle of the backrest:	
Label	Description
	<p>WARNING!</p> <p>Risk of tipping over</p> <ul style="list-style-type: none"> – Do not step on the footrest when getting into or out of the shower and toilet chair. – Push the footrests to the sides or fold up the foot plates before getting into or out of the shower and toilet chair. – Before sitting down or standing up, turn the castors so that the lock is pointing forwards. – Do not lean too far forwards when sitting in the shower and toilet chair.

3 Product Overview

3.1 Intended Use

Aquatec Ocean Ergo and Aquatec Ocean Ergo XL are mobile shower- and toilet chairs with stainless steel frame, individually adjustable seat height, tension adjustable backrest, flip up armrests and foldable angle-adjustable textured foot plates. The product is also available as a 24" wheels-model for self-propelling.

These mobile shower and toilet chairs are intended to support personal hygiene activities with or without assistance in institutional and household surroundings.

The shower and toilet chair may only be used as a bathing chair in a pool, if the pool does not contain salt water and an attendant is present at all times.

Temperature for use (indoors only): 10 - 65 °C

Intended Users

The intended user is the person sitting in the shower- and toilet chair or an assistant. The device can be used for adolescents or adults having a physical size equal to or more than 146 cm, a weight equal to or more than 40 kg and a body mass index equal to or more than 16.

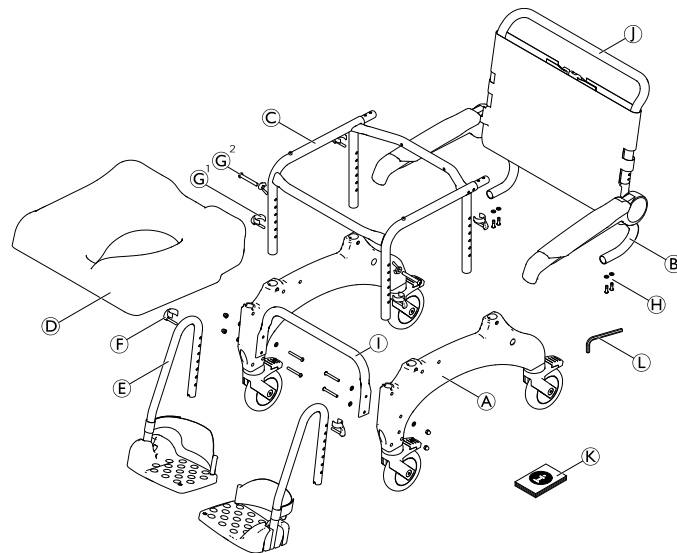
For the maximum user weight of the product see *10 Technical Data, page 28*.

Indications

- Difficulty in standing or keeping balance,
- weak legs or lower limb disability,
- medical conditions that impair the balance.

There are no contraindications known when using the product as intended.

3.2 Main Parts of the Product

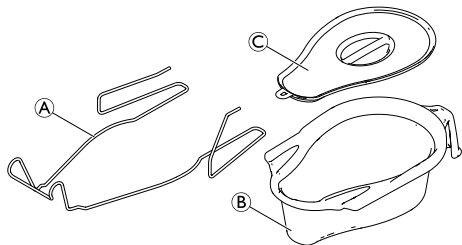


(A)	Side part with castors (left and right)
(B)	Backrest with backrest cover and armrests
(C)	Seat frame
(D)	Seat
(E)	Footrest with heel strap (left and right)
(F)	Clips (2x) for footrest (inserted)

Ⓒ ¹	Clips (4x) for seat height adjustment
Ⓒ ²	Screws and wing nuts (2x) for lower seat height adjustment
Ⓗ	Screws and washers (4x)
Ⓘ	Base stabilisation tube with screws (4x), washers (8x) and nuts (4x) - Ocean XL only
Ⓙ	Push bar
Ⓚ	User manual
Ⓛ	Allen key AF 4

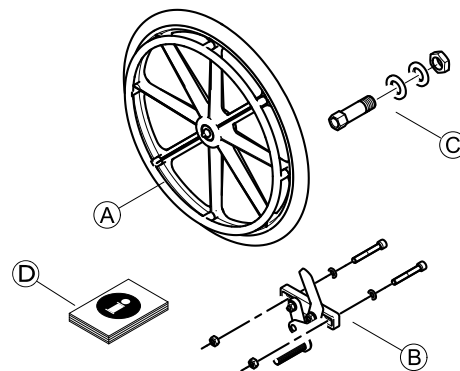
i Note the change in dimensions when the self-propelling wheels are fitted. For details see chapter 10 *Technical Data*, page 28.

Toilet Pan Holder with Toilet Pan (optional)



Ⓐ	Toilet pan holder
Ⓑ	Toilet pan
Ⓒ	Lid

Self-propelling Wheels with Parking Brake (optional)



Ⓐ	Self-propelling wheels (2x)
Ⓑ	Parking brakes (2x) with screws (4x), washers (4x) and nuts (4x)
Ⓒ	Hubs incl. axles and washers and nuts (2x)
Ⓓ	Assembly instruction

4 Setup

4.1 Safety Information



WARNING!

- Check the parts for transport damage before commissioning and contact your provider if required.
- Ensure during assembly that the parts are positioned correctly with respect to one another.
- Self-locking screws/nuts or thread-locking adhesive are used for several connections. If these are loosened, they must be replaced by new self-locking screws/nuts or they must be secured using new thread-locking adhesive.



CAUTION!

Risk of Pinching

- Take care during assembly.

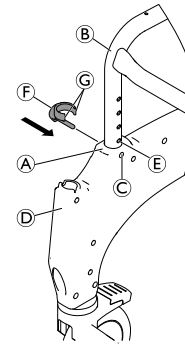
4.2 Assembling the Product

This section describes the assembly. Disassembly takes place in the reverse order.



The armrest height, footrest height, footrest angle, heel strap, tension of backrest cover and accessories / options must be adjusted to optimally fit the user.

4.2.1 Installing the Seat Frame Tube for Height Adjustment



1. Remove the enclosed clips ⑥ from the bag.
2. Place the seat frame on its side.



Push the side part evenly onto the frame and do not twist.



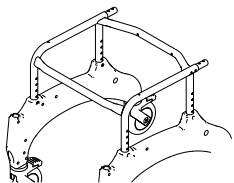
NOTICE!

– Secure the side part at the same height, front and rear.

3. Push the side part ① with the guides for the footrests ④ forwards on the seat frame ②.



Make sure that the identification label is attached to the inside of the left side part.



Make sure that the orientation of the seat frame is correct.

4. Bring the clip mounts © on the front and back of the side part in line with a hole in the seat frame ⑤.
5. Insert the clips ⑥ from the outside into the side part, until the clip edges ⑦ enclose the seat frame tube ⑧.



NOTICE!

- Make sure that all four clips are securely fastened.
- Make sure that the left and the right side parts are adjusted to the same height.

6. Turn the seat frame and repeat the procedure on the second side part.
7. Set the seat frame with the fitted side parts on its wheels.

Adjusting the Seat Height (Except two Lowest Positions)



WARNING!

- Make sure that all four clips are securely fastened.
- Make sure that the seat is adjusted to the same height on both sides.
- Do not adjust the seat height when someone is sitting on the shower and toilet chair.

1. Raise the shower and toilet chair slightly on one side by the seat frame ⑩.
2. Remove both clips ⑥ on this side.
3. Pull the seat frame out of the side part ① or push it into the side part to adjust the seat height.
4. Push both clips back in completely.
5. Repeat step 1-4 on the other side.



The seat height can be adjusted to accommodate different situations of use e.g. transfer from a bed or a wheelchair or use above a toilet etc.

Adjusting Seat Height to two Lowest Positions



WARNING! Risk of Injury

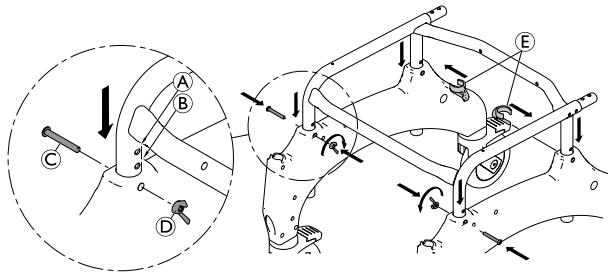
If the seat frame needs to be adjusted to the lowest possible positions (A) or (B), wrong mounting can cause injury or damage.

- Do not use clips for securing the seat frame on front of the side parts.
- Use screws and wing nuts (refer to 3.2 Main Parts of the Product, page 9) to secure the seat frame on front of the side parts.



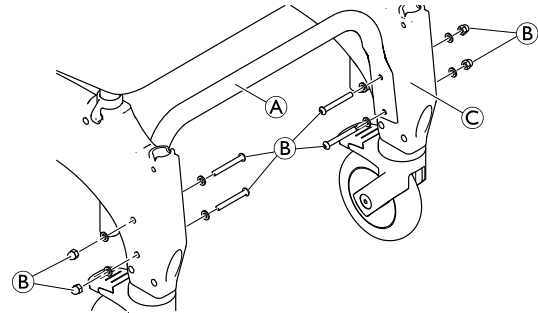
WARNING!

- Make sure that all mounting hardware is securely fastened.
- Make sure that the seat is adjusted to the same height on both sides.
- Do not adjust the seat height when someone is sitting on the shower and toilet chair.



1. Raise the shower and toilet chair slightly on one side by the seat frame.
2. Remove both clips on this side.
3. Push seat frame into the side part to adjust the seat height.
4. Insert screw (C).
5. Secure with wing nut (D).
6. To secure the rear of the side part, push clip (E) back in completely from the inside of the frame.
7. Repeat step 1-6 on the other side.

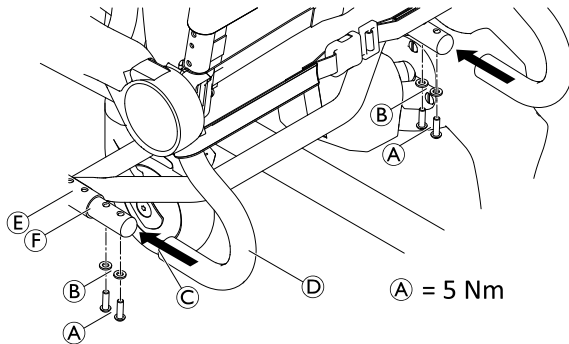
Installing the Base Stabilization Tube (Ocean Ergo XL only)



1. Install the base stabilization tube (A) between the side parts (C) using the screws and nuts (B) supplied. Make sure the stabilization tube is facing upwards.
2. Tighten the screws with a torque of 5 Nm.

4.2.2 Installing the Backrest

1. Push down all four foot pedals of the castors to lock them.



2. Push the backrest **D** from the rear side onto the seat frame **E**, until the collar **C** touches the seat frame tube **F**.
3. Position a washer **B** on each screw **A** and secure the backrest on each side with a torque of 5 Nm using the Allen key supplied.

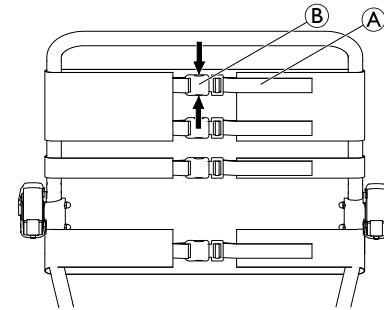


NOTICE!

- Check the screws regularly to ensure they are fastened securely.

Adjusting the Backrest Cover

The tension of the backrest cover can be adjusted as needed.



WARNING!

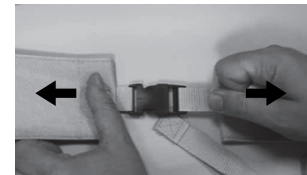
- Make sure that at least three belts are always passed around the backrest frame (on the outside) and their belt buckles are fastened.

Tightening:

1. Pull the belts **A** of the backrest cover tighter.

Loosening:

1. Open the buckles **B** by squeezing the retaining lugs together (arrows).
2. Push the belts back a little through the buckle.
3. Fasten the belt buckles.
4. Retighten the belts gently.



**WARNING!****Risk of injury due to damaged backrest buckles!**

Check for secure fastening of the backrest buckles each time the product is maintained or reconditioned.

- Check all buckles for secure fastening by closing the buckles and pulling on both ends.
- Replace the backrest/backrest buckles if a buckle opens under the applied force.

4.2.3 Installing and Removing the Seat Plate**Installing**

1. Place the seat plate on the seat frame with the cutout to the front.
2. Press the seat plate down with the flat hand at the sides and then at the front and back until the seat plate snaps onto the seat frame.

Removing

1. Pull the seat plate upwards at the rear.

4.2.4 Setting Armrest Height

1. Open the belt buckle of the backrest cover which is passed on the inside of the backrest frame.
2. Open the belt buckle on the backrest cover, which is above the armrest.



When adjusting to a lower position the belt beneath the armrest must be opened.

3. Pass this belt on the inside of the backrest frame and close it again.

4.

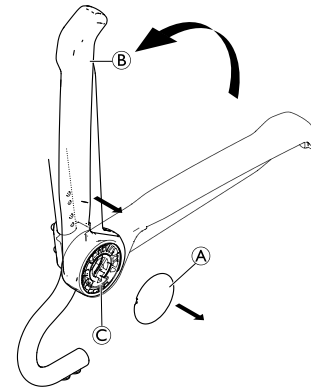


Fig. 4-1

Remove cap **A**.

5. Fold up armrest **B** to pull it off the armrest bracket **C**.
- 6.

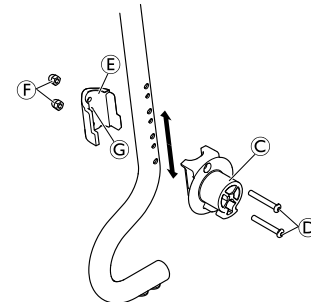




Fig. 4-2

Remove screws **D** from armrest bracket **C** with supplied Allen key.

- Remove securing clamp **E** with nuts **F** from the inside of the backrest frame.

 The nuts are inserted loosely into the securing clamp and may drop out.

- To reinstall armrest bracket and securing clamp at desired position, insert screws **D** into armrest bracket and guide them through the desired holes in the backrest frame.

 The smaller holes on the inside of the backrest frame fix the securing clamp.

- Place the securing clamp in such way that the fixing **G** of securing clamp engages in smaller hole.
- Tighten screws **D** with 5 - 6 Nm and nuts **F**.
-

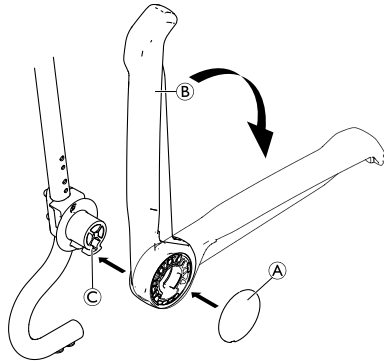
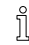


Fig. 4-3

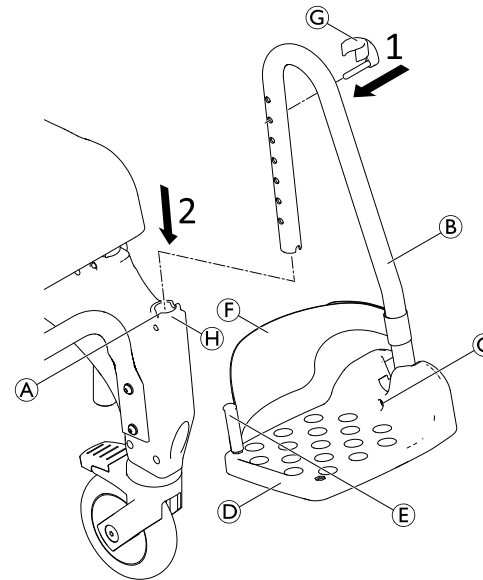
Reinstall armrest **B** on bracket **C**.

- Fold down armrest.
- Reinstall cap **A**.

- Pass the open belt of the backrest cover on the outside of the backrest frame, close belt buckles and tighten all the belts.
- The height adjustment procedure is the same for the right and left armrest.

 To install accessories / options, the third belt from the top can be opened and the backrest cover can be passed by the backrest frame from the inside.

4.2.5 Installing the Footrests



1. Insert the pin of the clip © from the outside into the required hole on the footrest ⑥. Make sure the clip engages around the tube.
2. Push the footrest into the guide ④ at the front of the side part until the pin of clip © engages in the groove ①. The footrest can no longer be turned to the side.



The assembly procedure is the same for the right and the left footrest.

Adjusting the Height of the Footrests



The footrests can be shortened if required (refer to the service manual). Shortening the footrests must be performed by a qualified technician.

1. Slightly pull up the footrest ⑥.
2. Pull the clip © out of the hole in the footrest and re-insert it into the required hole. Pull out the footrest slightly further if necessary.
3. Push down the footrest until the pin of clip © engages in the groove ①.
4. Set the other footrest to the required height as described.

Adjusting the Inclination of the Foot Plates



The inclination of the foot plates can be adjusted infinitely variably.

1. Loosen the Allen screw © on the foot plate using a size 4 Allen key.
2. Turn the foot plate ④ to the required position.
3. Re-tighten the Allen screw.

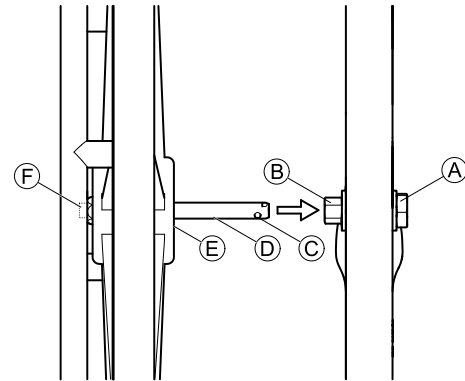
4.3 Assembling Accessories and Options



WARNING! Risk of injury

- The assembly of accessories and options must be carried out according to the corresponding instructions.

4.3.1 Installing/Removing Self-Propelling Wheels



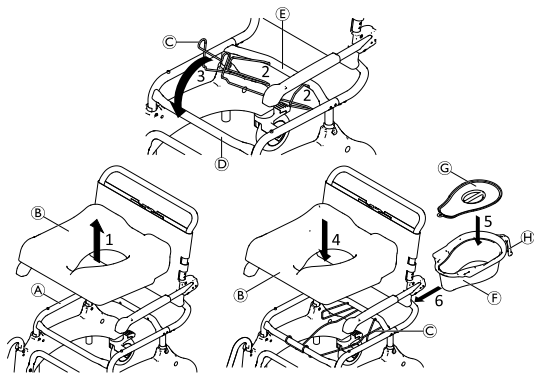
NOTICE!


- When the self-propelling wheels are fitted, the rear castors must remain locked to avoid collision between castor and wheel.
- The hubs and the parking brakes for the self-propelling wheels must be fitted by a qualified technician.

1. Align all four castors in the driving direction.
2. Lock all castors.
3. Push the axle ① on the self-propelling wheel inwards.
(The handrims project outwards.)
4. Press and hold the button ② on the outside of the axle.
This releases the retaining balls ③ at the end of the axle.
5. Raise the shower and toilet chair slightly.
6. Insert the axle into the hub ④ and push in the self-propelling wheel onto the axle until the end stop ⑤.
7. Release the button ②.
8. Check that the retaining balls are behind the hex nut ⑥.
9. The assembly is the same for the right and left self-propelling wheel.


To remove the wheels, carry out the same procedure in the reverse order.


4.3.2 Fitting/Removing the Toilet Pan Holder and Toilet Pan

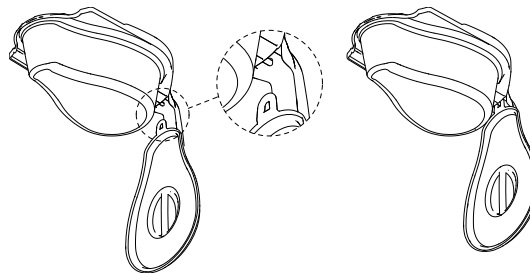


 The toilet pan ⑥ can be inserted/removed with or without the lid ⑦.

1. Remove the seat ⑧ from the frame ⑨.
2. Position the ends of the toilet pan holder ⑩ into the holes of the rear cross tube ⑪.
3. Engage the front part of the toilet pan holder with the front cross tube ⑫.
4. Re-fit the seat to the frame.
5. Place the lid on or remove it from the toilet pan.
6. Hold the toilet pan by its handle ⑬ and insert from the rear side between the toilet pan holder and the seat.

 Slightly push down the toilet pan when inserting or removing.

 The lid can be hung on the plastic hook at the underside of the toilet pan handle.



5 Usage

5.1 Safety Information



WARNING!

- Only use the shower and toilet chair on a flat surface and indoors.
- Observe the specifications on the identification label. Do not overload the shower and toilet chair.
- Observe the safety label on the handle of the backrest, *2.2 Labels and Symbols on the Product, page 7*
- Always perform a visual inspection of the product for external damage before each use.
- Regularly check the function of the parking brake (self-propelling wheels option only).



WARNING!

Risk of slipping and rolling

- Before use, make sure that the seat is securely fastened to the seat frame.
- Lock all castors with levers using the foot levers before sitting down on the shower and toilet chair or standing up from it, as well as in the parking position.
- Apply the parking brake when the self-propelling wheels are fitted (optional).



WARNING!

Risk of tipping

- Swivel the footrests to the side or fold up the foot plates before sitting down or standing up.
- Before sitting down or standing up, turn the front castors so that the lock is pointing forwards.
- Never stand on the footrests.
- Do not lean excessively forwards.



WARNING!

Risk of tipping

- The shower and toilet chair must only be moved by using the push bar or the self-propelled wheels (optional).



CAUTION!

Risk of burning your skin

- The product components can heat up when exposed to external sources of heat.
- Consider heated up surfaces when using the shower and toilet chair in the sauna or when it is exposed to hot water.
 - Do not expose the product to direct sunlight before use.



CAUTION!

Risk of pinching or crushing

There may be a very small gap between the rear wheel and the parking brake with the risk of trapping fingers.

- Keep fingers away from movable parts when using the brake, always keep hand on the brake lever.



CAUTION!

Risk of pinching

– When using the self-propelling wheels (optional), do not insert fingers between the spokes or between the rotating self-propelling wheels and the seat frame while moving.



NOTICE!

Risk of damage to the product

– Do not lift the shower and toilet chair using the footrests, armrests or any accessories / options.



For users with high risk of standing on the footrests (e.g. dementia), front antitippers (optional) are available to prevent the shower and toilet chair from tipping forward.

5.2 Turning Armrests

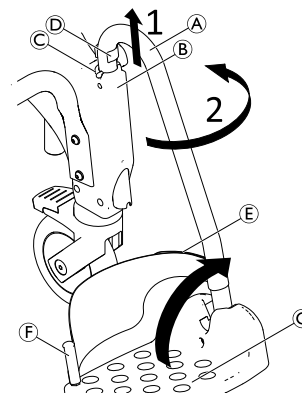


CAUTION!

Risk of Pinching Fingers

– Do not put fingers between armrest and backrest when folding back the armrests.

5.3 Swivelling the Footrests



Entry Position/Exit Position:

1. Slightly pull up the footrest (A) in the guide (B) until the pin of clip (D) no longer engages in the groove (C).
2. Swivel the footrest to the side.



Alternatively, the foot plates (G) can be swivelled upwards to enter/exit the shower and toilet chair.

Driving Position:



CAUTION!


Risk of accident due to loose footrest


– Fix footrests in the driving position.

1. Turn the footrest (A) inwards.
2. Push the footrest downward, until the pin of the clip (D) engages in the groove (C).

Removing/Fitting the Heel Strap

1. Open the hook and loop strip (E) on the heel strap.
2. Remove the screw (F) from the underside of the foot plate.
3. Remove the heel strap from the flexible plastic pin.

 To attach the strap, carry out the same procedure in the reverse order.

 When installing ensure that the hook and loop strip of the heel strap is facing backwards.

5.4 Engaging/Disengaging the Castor Locks

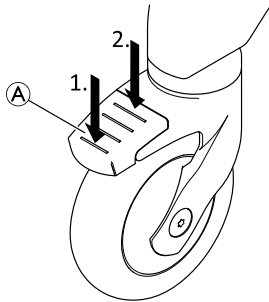


CAUTION!

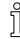
Risk of Trapping/Squeezing

All castor locks are foot-operated.


– Do not operate the castor locks by hand.



1. To lock the castor locks step on the rear end of the pedal (A) until it engages.

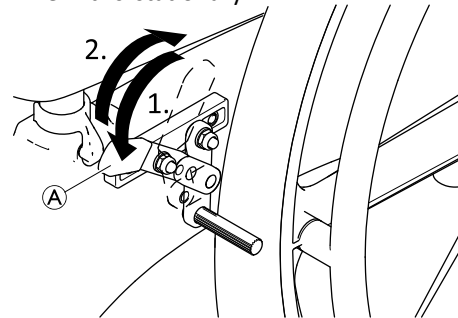
 The castor is now locked in position and cannot swivel any longer.

2. To unlock the castor locks step on the front end of the pedal until it disengages.

 Castor with blue pedal (option directional lock) engages the swivel lock for easier straight movement.

5.5 Engaging/Disengaging the Parking Brakes

The parking brakes are used to immobilise the shower and toilet chair with 24" wheels to prevent it from rolling away when it is stationary.



1. To engage the parking brake, push the brake lever (A) forward as far as possible.
2. To disengage the parking brake, pull the brake lever backwards.

6 Transport

6.1 Safety Information



The product can be dismantled for transport into the parts of the scope of delivery, see chapter 3.2 *Main Parts of the Product*, page 9 .

1. Disassemble the product: Refer to chapter 4 *Setup*, page 11 by following the assembly steps in reverse order.



NOTICE!

Risk of damage to the product

- Transport the product in a dry area.
- Do not expose the product to direct sunlight.
- Refer to the storage and shipping conditions in chapter 10.3 *Environmental Parameters*, page 30.



NOTICE!

- Self-locking screws/nuts or thread-locking adhesive are used for several connections. If these are loosened, they must be replaced by new self-locking screws/nuts or they must be secured using new thread-locking adhesive.

7 Maintenance

7.1 Maintenance and Inspection

The product is maintenance-free, provided the cleaning and safety instructions outlined below are adhered to.

To ensure good performance and safety the following checks should regularly be carried out:

- Check the product and accessories / options regularly for damage. Do not use the product if defective.
- In case of damage or malfunction it is recommended to contact the provider.
- Ensure that the product is securely assembled and that screws are properly tightened.



WARNING!

Risk of Injury and Damage

If the product is improperly adjusted it can cause accidents and severe injuries.

- The product must be repaired by a qualified technician.
- Damaged parts have to be replaced by a qualified technician.
- Only use original Invacare spare parts.

7.2 Cleaning and Disinfection

7.2.1 General Safety Information



CAUTION!

Risk of Contamination

- Take precautions for yourself and use appropriate protective equipment.



NOTICE!

Wrong fluids or methods can harm or damage the product.

- All cleaning agents and disinfectants used must be effective, compatible with one another and must protect the materials they are used to clean.
- Never use corrosive fluids (alkalines, acid etc.) or abrasive cleaning agents. We recommend an ordinary household cleaning agent such as dishwashing liquid, if not specified otherwise in the cleaning instructions.
- Never use a solvent (cellulose thinner, acetone etc.) that changes the structure of the plastic or dissolves the attached labels.
- Always make sure that the product is completely dried before taking it into use again.



For cleaning and disinfection in clinical or long-term care environments, follow your in-house procedures.

7.2.2 Cleaning Intervals



NOTICE!

Regular cleaning and disinfection enhance smooth operation, increases the service life and prevents contamination.

Clean and disinfect the product:

- regularly while in use,
- before and after any service procedure,
- when it has been in contact with any body fluids,
- before using it for a new user.

7.2.3 Cleaning Instructions

The product can be cleaned using commercially available agents.

Cleaning in a Domestic Environment

1. Remove any accessories / options fitted (only accessories / options which do not require tools).
2. Pull the footrests out of the guides.
3. Remove the seat plate and the backrest cover.
4. Wipe down the individual parts using a cloth or brush and commercially available cleaning agents and disinfectants.
5. Rinse the parts with warm water.
6. Dry the parts with a cloth.
7. Reassemble the product, see chapter 4 *Setup, page 11*.

Cleaning in a Clinical Environment



In addition to cleaning as described above we recommend cleaning the product prior to the use by another patient, after ending of the period of use or on a regular basis (depending on which occurs first) at

- 90 °C for 1 minute
 - 85 °C for 3 minutes
 - 80 °C for 10 minutes
- in the autoclave.



CAUTION!

Risk of Burning your Skin

- Allow the product to cool after cleaning in the washing machine or autoclave.

Cleaning the Backrest Cover

1. Remove the backrest cover.
2. Machine-wash the cover at max. 60 °C using a mild detergent.



NOTICE!

Risk of Damage

- Washing at higher temperatures can cause damage.
- Do not tumble dry.



NOTICE!

- Excessive cleaning can damage the textile.
 - We recommend replacing the backrest cover every two years for hygiene reasons.

Cleaning the Toilet Pan (optional)

The toilet pan can be cleaned in an autoclave at following temperatures/times:

- 90 °C for 1 minute
- 85 °C for 3 minutes
- 80 °C for 10 minutes.

7.2.4 Disinfection Instructions

In Domestic Care

Method: Follow the application notes for the used disinfectant and wipe-disinfect all accessible surfaces.

Disinfectant: Ordinary household disinfectant.

Drying: Allow the product to air-dry.

In Clinical and Long Term Care

Follow your in-house disinfection procedures and only use the disinfectants and methods specified therein.

8 After Use

8.1 Storage



NOTICE!

Risk of damage to the product

- Store the product in a dry area.
- Do not store the product near heat sources.
- Do not expose the product to direct sunlight.
- Refer to the storage and shipping conditions in chapter *10.3 Environmental Parameters, page 30*.

8.2 Reconditioning

This product is suitable for reuse. To recondition the product for a new user, carry out the following actions:

- Inspection
- Cleaning and disinfection

For detailed information, see *7 Maintenance, page 23* and the service manual for this product.

Make sure that the user manual is handed over with the product.

If any damage or malfunction is detected, do not reuse the product.

8.3 Disposal

Be environmentally responsible and recycle this product through your recycling facility at its end of life.

Disassemble the product and its components, so the different materials can be separated and recycled individually.

The disposal and recycling of used products and packaging must comply with the laws and regulations for waste handling in each country. Contact your local waste management company for information.

9 Troubleshooting

9.1 Identifying and Repairing Faults

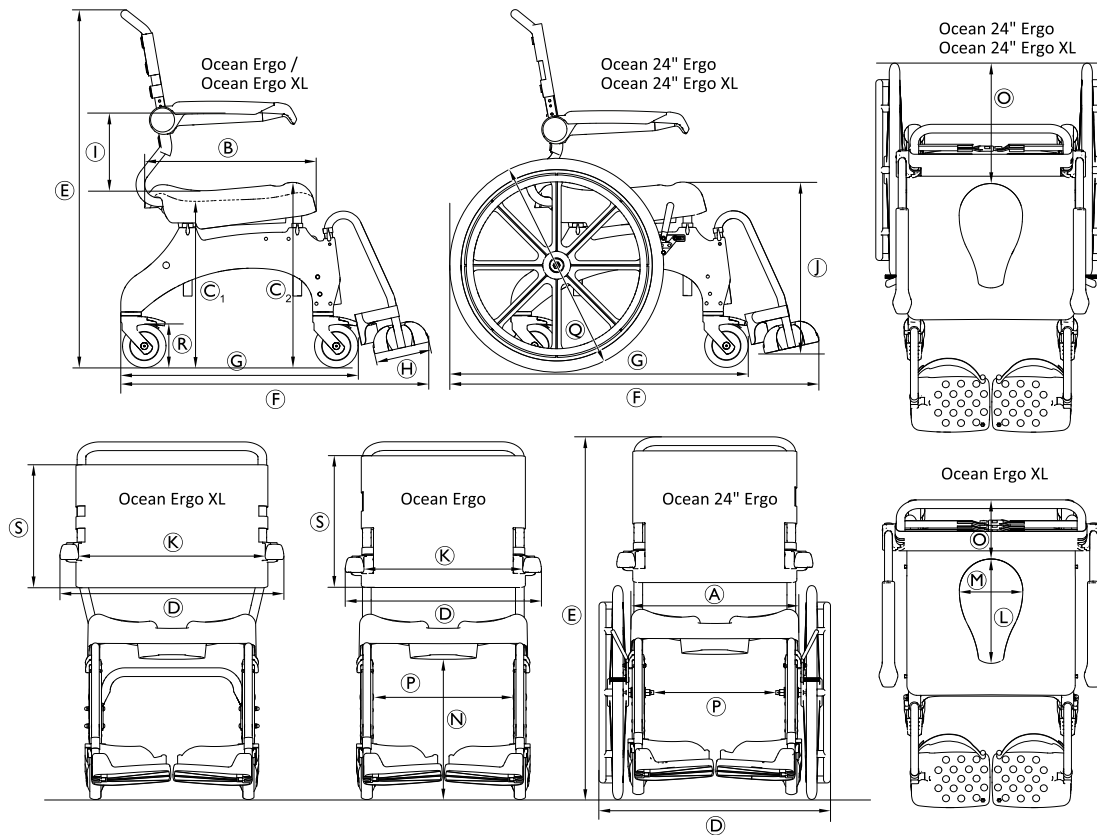


The following table provides information on malfunctions and their possible causes. If you cannot correct the malfunction using the solutions named, contact your provider directly.

Malfunction	Possible Cause	Solution
Difficulty in adjusting the seat height	Dirt between the seat frame and the side part	Disassemble product into the parts of the scope of delivery and clean thoroughly
The castors are difficult or impossible to turn	Dirt between the fork and the rim	Thoroughly clean the castors
Difficulty pushing the footrests to the side	Deposits in the guides	Thoroughly clean the footrests and the guides
Parking brake of the self-propelling wheels (optional) does not engage	Parking brake wrongly adjusted	The parking brake must be adjusted by a qualified technician.

10 Technical Data

10.1 Dimensions and Weight



	Ocean Ergo	Ocean Ergo XL	Ocean 24" Ergo	Ocean 24" Ergo XL
Ⓐ	480 mm			
Ⓑ	480 mm			
Ⓒ ₁	440 mm – 600 mm			475 mm – 600 mm
Ⓒ ₂	498 mm – 658 mm			533 mm – 658 mm
Ⓓ	565 mm	645 mm	670 mm	
Ⓔ	985 mm – 1145 mm		1010 mm – 1170 mm	1045 mm – 1170 mm
Ⓕ	905 mm		1050 mm	
Ⓖ	700 mm		850 mm	
Ⓗ	160 mm			
Ⓘ	215 mm / 253 mm / 290 mm	253 mm / 290 mm	215 mm / 253 mm / 290 mm	253 mm / 290 mm
Ⓙ	260 mm – 570 mm			295 mm – 570 mm
Ⓚ	475 mm	555 mm	475 mm	555 mm
Ⓛ	350 mm (top) / 300 mm (bottom)			
Ⓜ	250 mm (top) / 182 mm (bottom)			
Ⓝ	365 mm – 525 mm			400 mm – 525 mm
Ⓞ	200 mm		355 mm	
Ⓟ	405 mm		360 mm	
Ⓠ	—		Æ 24" (610 mm)	
Ⓡ	Æ 5" (127 mm)			

	Ocean Ergo	Ocean Ergo XL	Ocean 24" Ergo	Ocean 24" Ergo XL
⑤	390 mm	350 mm	390 mm	350 mm
Turning diameter	2100 mm		1940 mm	
Reversing width	1070 mm		1240 mm	
Product weight	17 kg	18 kg	23 kg	24 kg
Maximum user weight	150 kg	180 kg	150 kg	180 kg

10.2 Materials

Frame	Stainless steel, powder-coated
Footrest tube	Stainless steel
Seat plate	Polypropylene, fiber-glass reinforced
Backrest cover	Nylon, PVC-coated
Footrest plate / Side parts	Polypropylene, fiber-glass reinforced
Armrest	Polyamid, fiber-glass reinforced
Castors	Plastics and stainless steel
Running surface of 24" wheels	PUR

All product components are corrosion resistant and do not contain natural rubber latex.

10.3 Environmental Parameters

Operating Conditions	
Ambient temperature	10 - 65 °C
Relative humidity	15 % - 93 %, non-condensing
Atmospheric pressure	795 - 1060 hPa
Storage and Shipping Conditions	
Ambient temperature	0 - 65 °C
Relative humidity	30 % - 75 %, non-condensing
Atmospheric pressure	795 - 1060 hPa

**United Kingdom & Ireland:**

Invacare Limited
Pencoed Technology Park, Pencoed
Bridgend CF35 5AQ
Tel: (44) (0) 1656 776 200
uk@invacare.com
www.invacare.co.uk

Australia:

Invacare Australia Pty. Ltd.
Unit 18/12 Stanton Road,
Seven Hills, NSW 2147,
Australia
Phone: 1800 460 460
Fax: 1800 814 367
orders@invacare.com.au
www.invacare.com.au

EU Export:

Invacare Poirier SAS
Route de St Roch
F-37230 Fondettes
Tel: (33) (0)2 47 62 69 80
serviceclient_export@invacare.com
www.invacare.eu.com

New Zealand:

Invacare New Zealand Ltd
4 Westfield Place, Mt Wellington 1060
New Zealand
Phone: 0800 468 222
Fax: 0800 807 788
sales@invacare.co.nz
www.invacare.co.nz

USA:

Invacare Corporation
One Invacare Way
Elyria, Ohio USA
44035
800-333-6900
www.invacare.com

Canada:

Invacare Canada L.P.
84 Citation Dr #14
Concord, ON L4K 3C1
Phone: 800 668 5324
www.pro.invacare.ca



Invacare GmbH
Am Achener Hof 8
D-88316 Isny
Germany



Invacare UK Operations Limited
Unit 4, Pencoed Technology Park, Pencoed
Bridgend CF35 5AQ
UK

1652072-A 2023-08-18



Making Life's Experiences Possible®

AQUATEC®



Yes, you can.®